

Technical Information

Joysticks

JS1 Heavy Duty Joysticks



Revision history

Table of revisions

Date	Changed	Rev
October 2020	Corrected some information in tables and removed discontinued product line	1305
July 2020	Changed document number from 'BC00000347' to 'BC171886484518' and added cable model code option W	1304
June 2019	Updated for PWM	1201
November 2018	Moved PR2, PP2 grip cover option H8-Y and put in circle and lowered; Added note to top of Electronic modules chapter; Updated JS1-H Analog Category 1 and 3 wiring connection diagrams; Changed FNR IP to IP 66; Under Mechanical, changed table Friction hold/Spring return, base only, row 1 code to E and row 2 code to J; JS1-H Base model code Table C, added row PEP; Table D, Changed row 1 code to E and row 2 code to J that applies only when using XF base; added sub-topic JS1 Heavy Duty Joystick critical mounting under topic Joystick safety critical functions	1101
August 2018	Updated for spring/friction base	1001
June 2018	Changed vertical maximum load; Added table under Joystick Functions for Operator Presence Switch (PR7, PPR grip only); Added A and E options for Operator Presence Switch, in last two rows of table H8-Defining grip side, under chapter Product configuration model code.	0901
March 2018	Removed J options from PR7, PP7 grip faceplate options; Added Grip only sales and service options topic; removed the wire color column from all connectors pin tables; corrected H4 through H12 tables under Grip model code; added to types of grips offered for applications that require high ingress protection; and listed grips with Operator Presence Switch in Product configuration model code table H7 and H8	0801
January 2018	Added Analog Cat 1, 3 information	0701
November 2017	Added CANalog and CAN+ information	0601
January 2017	Pushbutton color codes updated	0503
January 2017	Removed information that does not apply, corrected PR2 grip options information	0502
December 2016	Added PVE information	0501
October 2016	Updated PR2 faceplate designation; and Environmental IP rating	0403
September 2016	Updated Operating temperature for CAN to 85° C in Environmental table	0402
September 2016	Updates regarding IP switches; Common model code for J3-cable	0401
September 2016	Various updates; updated to Engineering Tomorrow design	0302
February 2016	Removed Connection diagrams chapter	0201
February 2016	First edition	0101

Contents

Overview

JS1-H description.....	6
Features.....	6
Options.....	7

HR1, HP1 grip

Description.....	8
Dimensions.....	9
Ten total grip functions.....	9
Function overview.....	10
Faceplate options.....	10
Cover options.....	11
Base options.....	12

ST2, SP2 grip

Dimensions.....	14
Five total grip functions.....	14
ST2—Faceplate options.....	15
Cover options.....	15

PR2, PP2 grip

Dimensions.....	17
Twelve total grip functions.....	17
Faceplate options.....	18
Cover options.....	19

ST7, SP7 grip

Dimensions.....	21
ST7—Faceplate options.....	22
Cover options.....	23

PR7, PP7 grip

Dimensions.....	25
Faceplate options.....	26
Cover options.....	27

Compatible grips

Dimensions.....	28
Grip only sales and service options.....	28

Base

Dimensions.....	30
-----------------	----

Electronic modules

CAN.....	31
CAN+.....	31
CANalog.....	31
Additional X and Y analog outputs.....	31
Proportional roller output.....	31
PVE.....	31
PVE—Standard.....	32
PVE—Extended.....	33
Non-Redundant Analog interface (CAT1).....	33
Full-Redundant Analog interface (CAT3).....	33
PWM (Programmable).....	34

Connection diagrams

CAN+.....	35
CANalog.....	36
PVE DSUB.....	37
Analog Cat 1.....	38
Analog Cat 3.....	39
PVE Deutsch.....	40

Contents

PWM..... 41

Specifications

Mechanical..... 42
 Electrical—CAN, CAN+, and CANalog..... 43
 Electrical—PVE (Standard and Extended)..... 43
 Electrical—PVE (Extended only)..... 43
 Electrical—Analog Cat 1, Cat 3..... 44
 Electrical—PWM..... 44
 Environmental..... 44

Joystick functions

Grip options..... 45
 Push button..... 46
 Roller..... 47
 FNR..... 48
 Toggle switch..... 49
 Operator Presence switch..... 49

Connector options and cabling

One 6 pin connector..... 51
 Two 6 pin connectors..... 52
 Two 12 pin connectors..... 53
 Two 12 pin and one 6 pin connectors..... 54
 One 18 pin connector..... 55
 One 25 pin SUB-D and one 6 pin connectors..... 57
 Mating connectors bag assemblies..... 58
 Cable assemblies..... 59

Product configuration model code

JS1-H base and grip model code fields..... 61
 JS1-H Base model code..... 62
 Grip model code..... 65
 Other model code..... 73

Product installation

Joystick safety critical functions..... 74
 JS1 Heavy Duty Joystick critical mounting..... 74
 Machine wiring guidelines..... 74

Appendix: CAN J1939 protocol

Joysticks CAN J1939 protocol option..... 77
 SAE J1939 basic joystick message..... 78
 Data field..... 78
 JS1-H Basic joystick message data field descriptions..... 79
 Joystick X-axis neutral position status..... 80
 Joystick X-axis handle left negative position status..... 80
 Joystick X-axis handle right positive position status..... 80
 Joystick X-axis position status..... 80
 Joystick Y-axis neutral position status..... 81
 Joystick Y-axis handle back negative position status..... 81
 Joystick Y-axis handle forward positive position status..... 81
 Joystick Y-axis position status..... 81
 Joystick button 1-8 pressed status..... 82
 SAE J1939 extended joystick message..... 83
 Extended joystick message parameters and data field descriptions..... 83
 SAE J1939 error (DM1) messages..... 85

Appendix: CAN+ and CANopen protocol

CANopen Object Dictionary for JS1-H joysticks..... 87
 Parameter/variable index - JS1-H CAN, JS1-H CANalog..... 88
 Parameter/variable index - JS1-H CAN+..... 100

Contents

Error handling..... 112

Overview

JS1-H description

A wide variety of new grip designs



The Danfoss JS1 platform offers a wide variety of new grip designs and were developed after extensive research detailing operator needs. The JS1 heavy duty joysticks (JS1-H) and compatible grips meet the demanding conditions typically found in mobile equipment environments. The available grips features provide a high degree of protection from chemicals, shock, vibration and EMC exposure. Danfoss joysticks are appropriate for both in-cabin and out of cabin applications and feature ergonomic forms that minimize machine operator fatigue. The JS1-H ergonomic left-hand, right-hand and ambidextrous grip design options enable efficient operation and comfortable human-machine interface with easy to use fingertip controls for maximum productivity. The grips feature a modular design that allows switch and proportional rollers locations flexibility.

Features

- Hall effect with two sensors per axis or long life potentiometer position sensing
- Simultaneous operation of two proportional rollers
- Operator Presence switch

Overview

Options

Axis

- Dual Axis Spring Return
- Single Axis Spring Return
- Single Axis with Friction
- Dual Axis with one axis Spring, one axis Friction

Output options

- CAN J1939
- CANopen
- PVE
- CANalog
- CAN+
- Analog Category 1
- Analog Category 3
- PWM (programmable)

Ergonomic grip

- Right hand
- Left hand
- Ambidextrous (used with either the left or right hand)

On axis shaft, deflection

- $\pm 18^\circ$

JS1-H grips

- HR1
- ST2
- ST7
- PR2
- PR7

HR1, HP1 grip

Horizontal, multifunction, ergonomic HR1, HP1 grip



Description

The horizontal, multifunction, ergonomic HR1, HP1 grip is designed with easy to use fingertip controls for a comfortable user interface and maximum functional control.

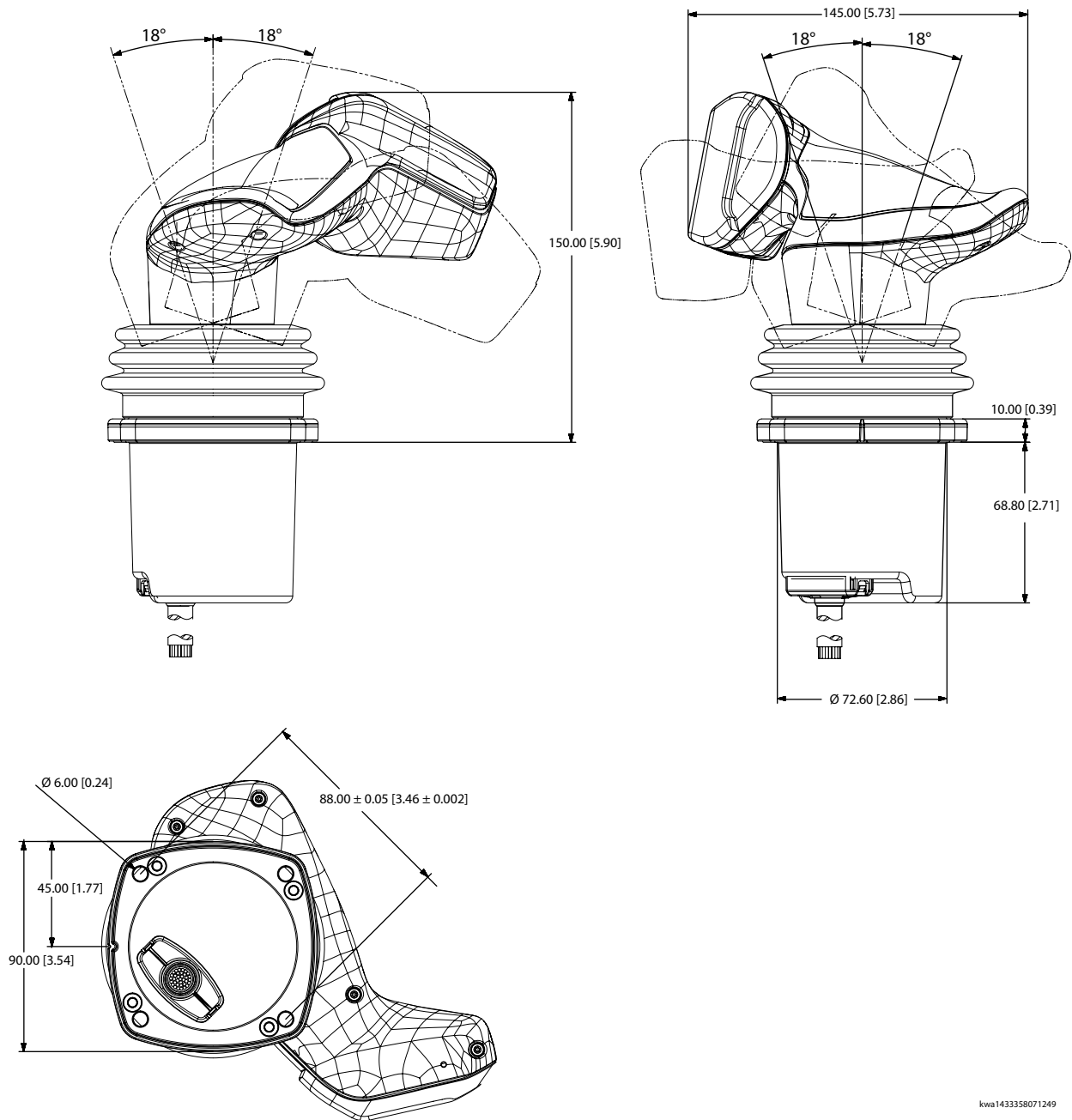
The grip features a modular design that allows flexibility in the location of switches and proportional functions.

For applications that require high ingress protection (IP66) select the HP1 grip. For more information, see ordering code F2, under *Grip model code*.

HR1, HP1 grip

Dimensions

HR1 (horizontal) grip with base dimensions in millimeters [inches]



kwa143358071249

Ten total grip functions

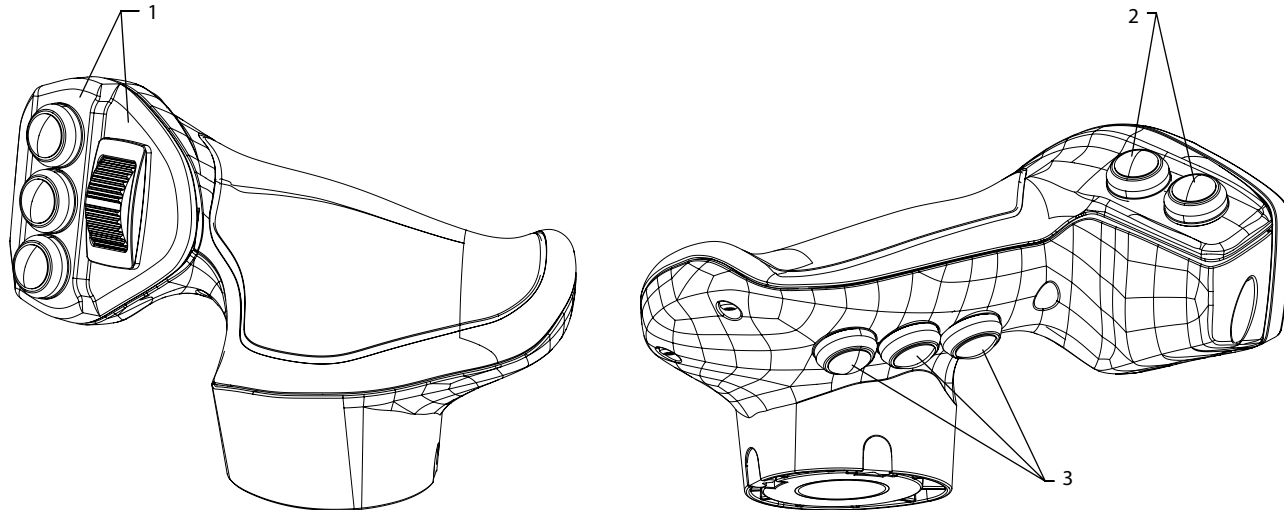
- Front plate: Up to five functions
- Grip top side: Up to two functions
- Grip rear side: Up to three functions

Push button = 1 function, roller/rocker/FNR/Operator Presence Switch = 2 functions

HR1, HP1 grip

Function overview

HR1 grip function overview

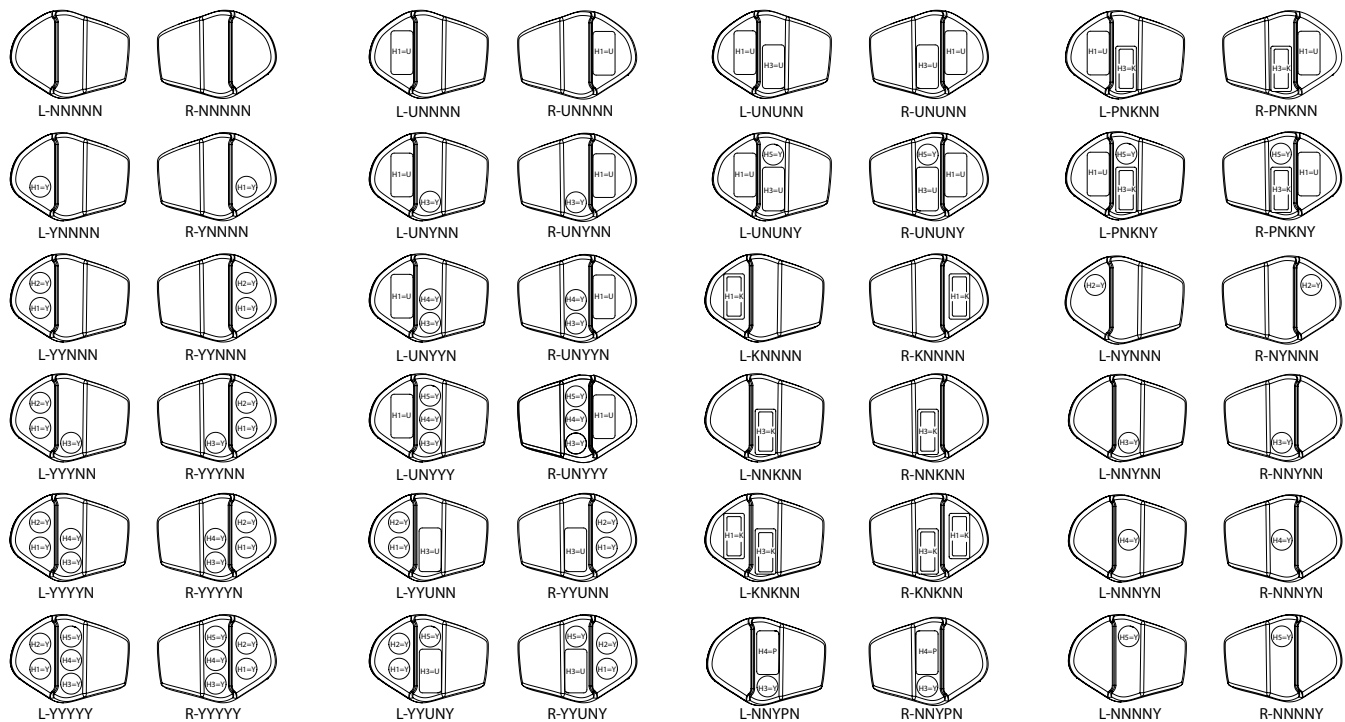


kwa1452624614146

1. Faceplate finger function location
2. Cover finger function location
3. Base finger function location

Faceplate options

HR1 grip faceplate options



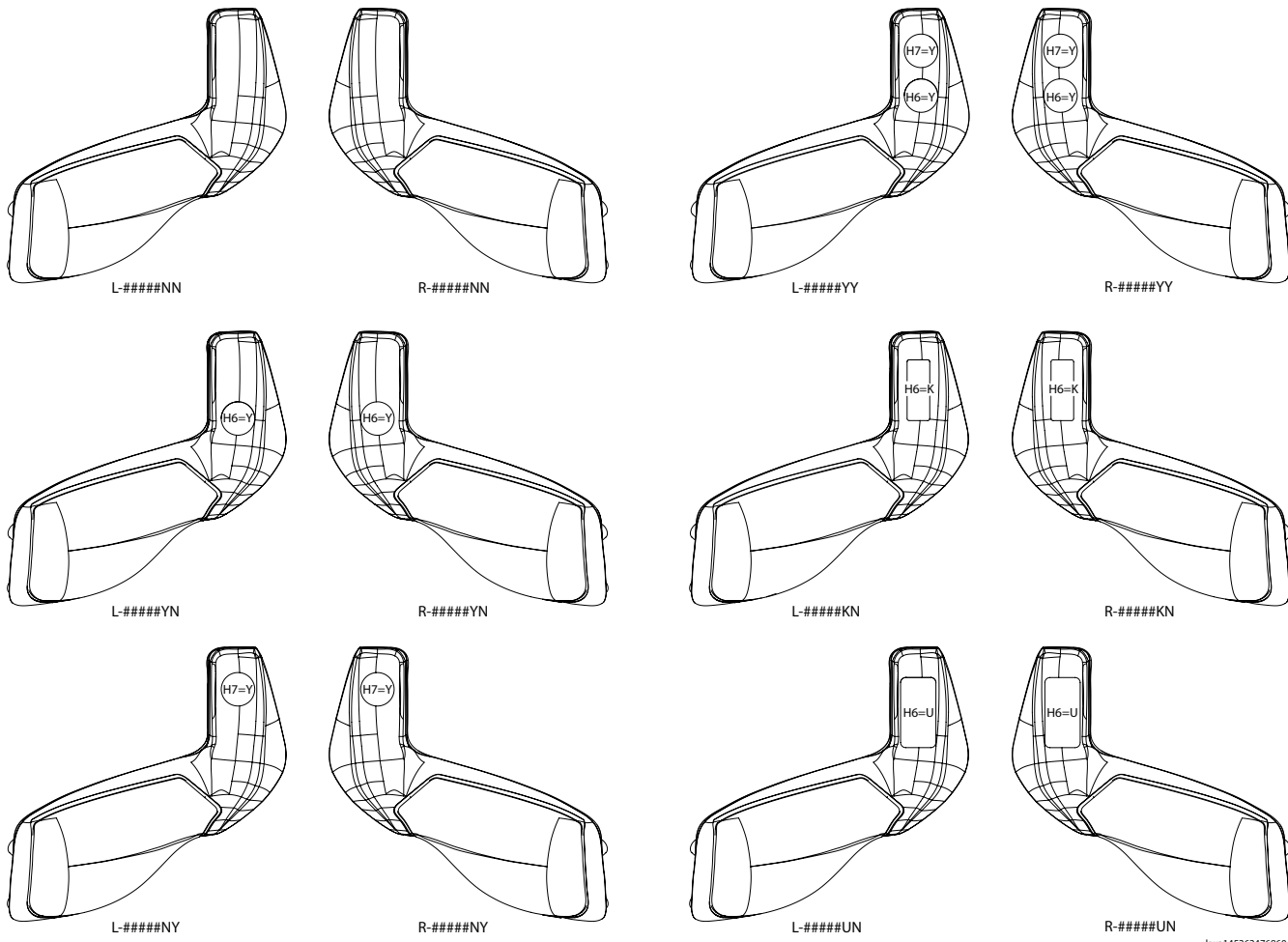
kwa1452624730259

HR1, HP1 grip

Related reference

Cover options

HR1 grip cover options

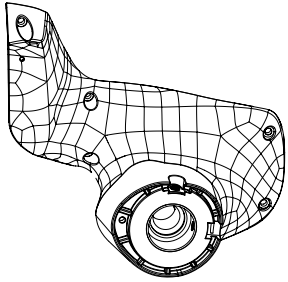


kwa1452624768604

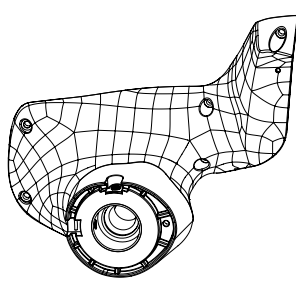
HR1, HP1 grip

Base options

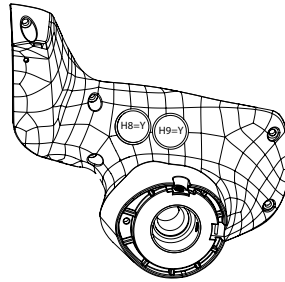
HR1 grip base options



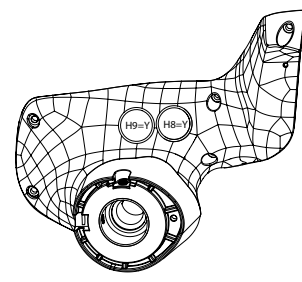
L-#####NNN



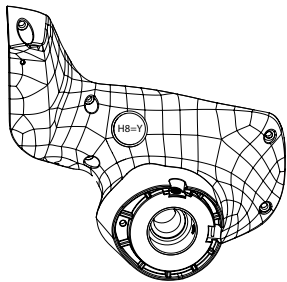
R-#####NNN



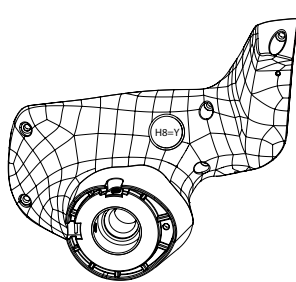
L-#####YYN



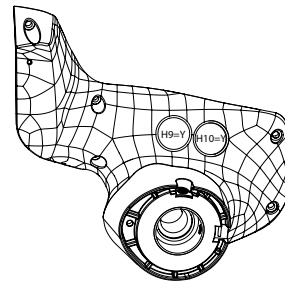
R-#####YYN



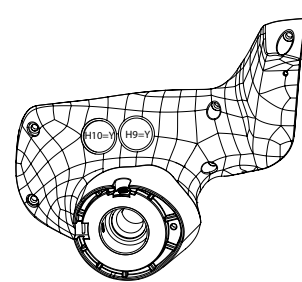
L-#####YNN



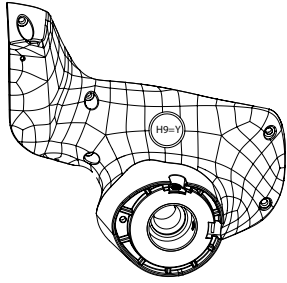
R-#####YNN



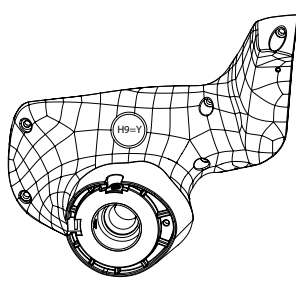
L-#####NYY



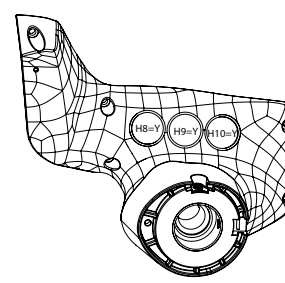
R-#####NYY



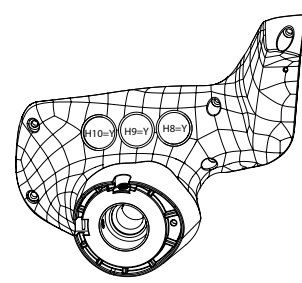
L-#####NYN



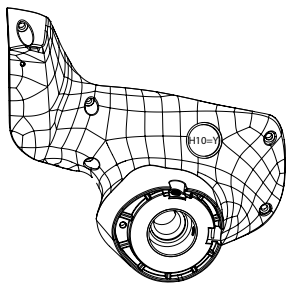
R-#####NYN



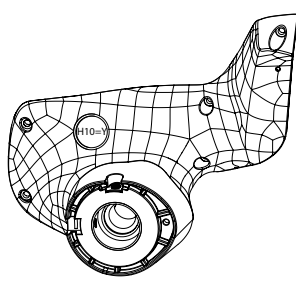
L-#####YYY



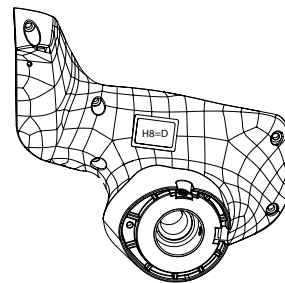
R-#####YYY



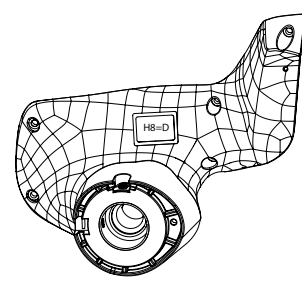
L-#####NNY



R-#####NNY



L-#####DNN



R-#####DNN

kwa1452624813199

ST2, SP2 grip



kwa1433420154094

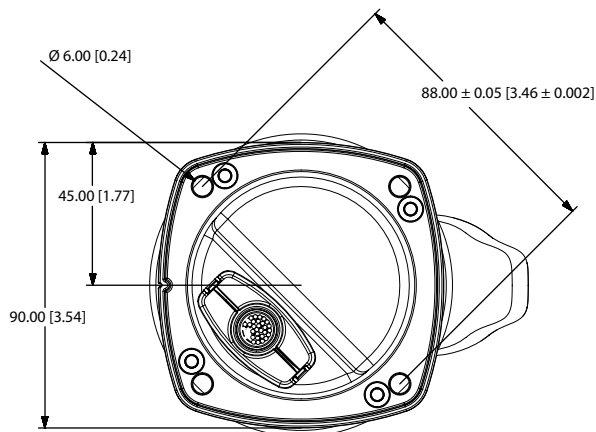
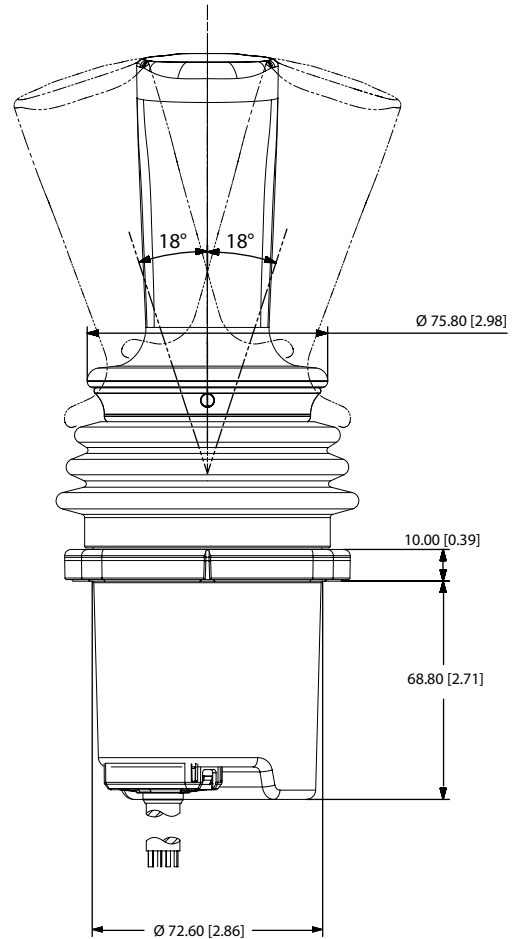
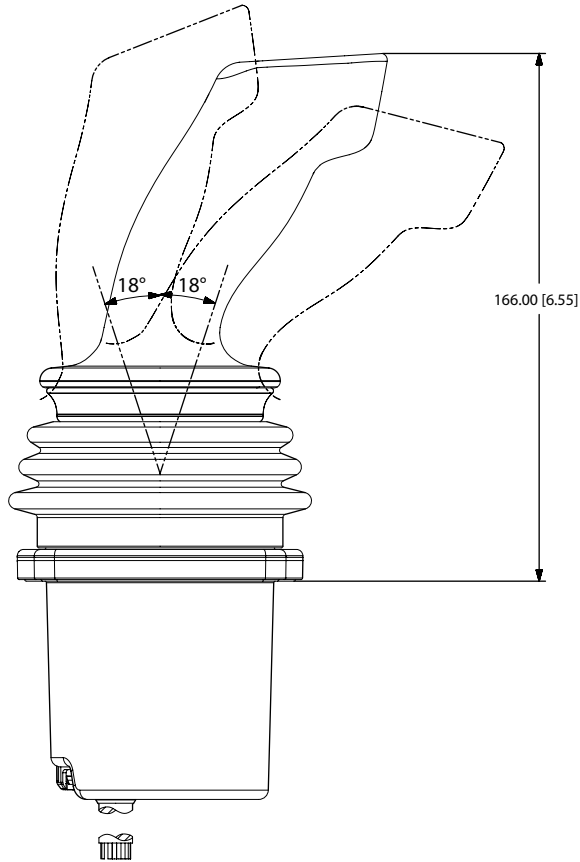
The ergonomic ST2, SP2 grip is designed to provide a solution to grip applications requiring an operator presence function. The profile of the ST2, SP2 grip, ensures that the operator's fingers are always close to the buttons to minimize operator fatigue and maximize functional control.

[For applications that require high ingress protection \(IP66\) select the SP2 grip. For more information see F2 ordering code under *Grip model code*.](#)

ST2, SP2 grip

Dimensions

ST2 grip with base dimensions in millimeters [inches]



kwa1433433604401

Five total grip functions

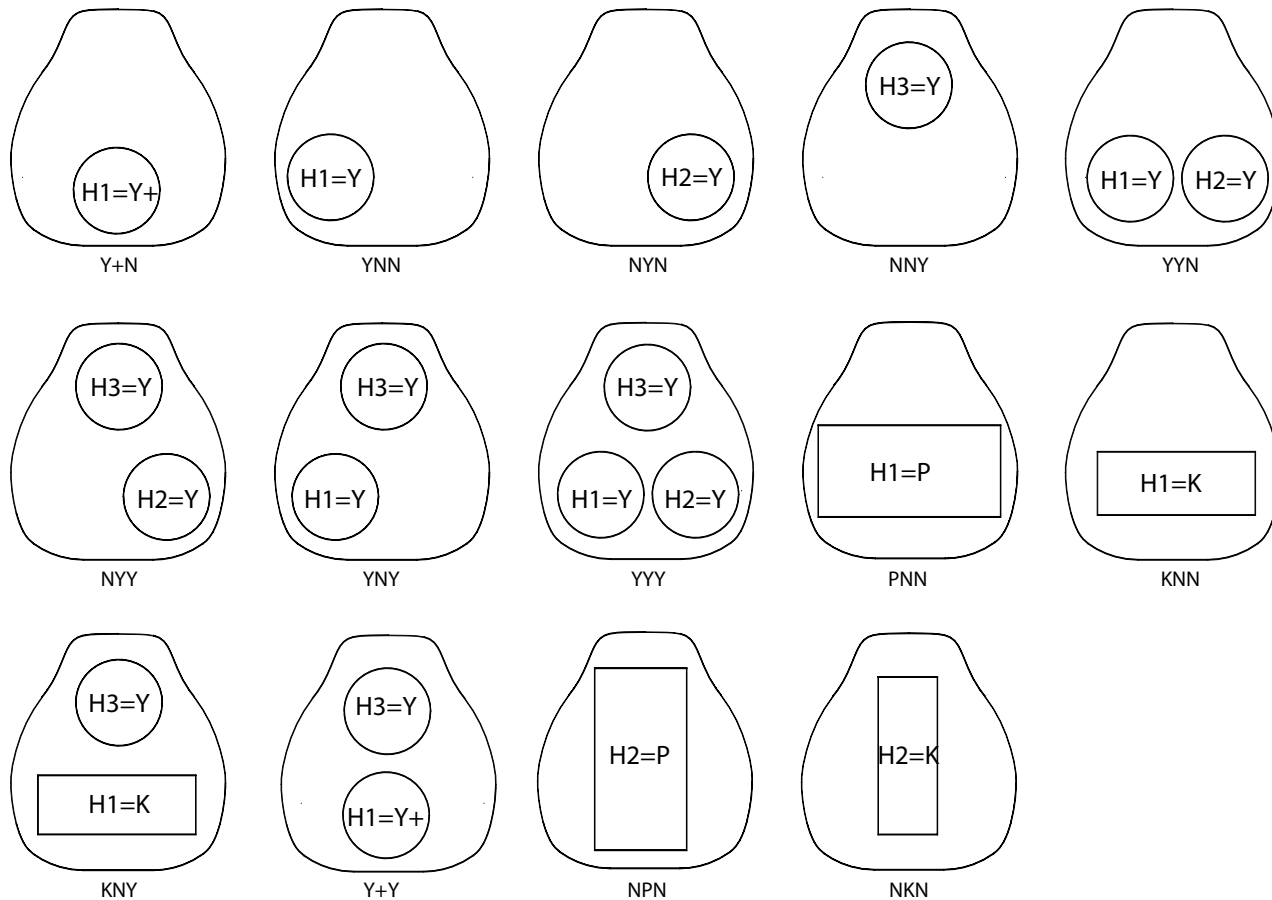
- Front plate: Up to three functions
- Pointer finger side: one function (if nothing is placed in position 2)
- Grip rear side: Up to two functions or an Operator Presence switch

Push button = 1 function, roller/rocker/FNR/Operator Presence Switch = 2 functions

ST2, SP2 grip

ST2—Faceplate options

ST2 grip faceplate options

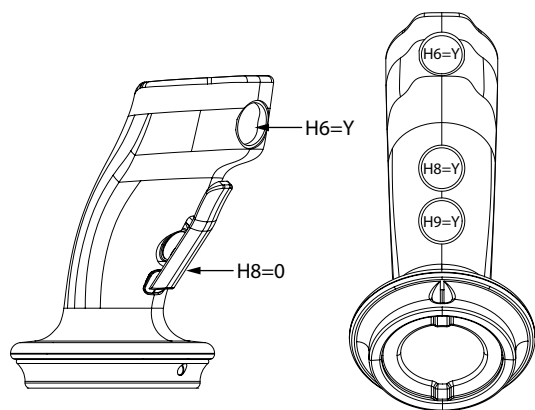


kwa1442519181260

Related reference

Cover options

ST2 grip cover options



kwa1467052019867

PR2, PP2 grip



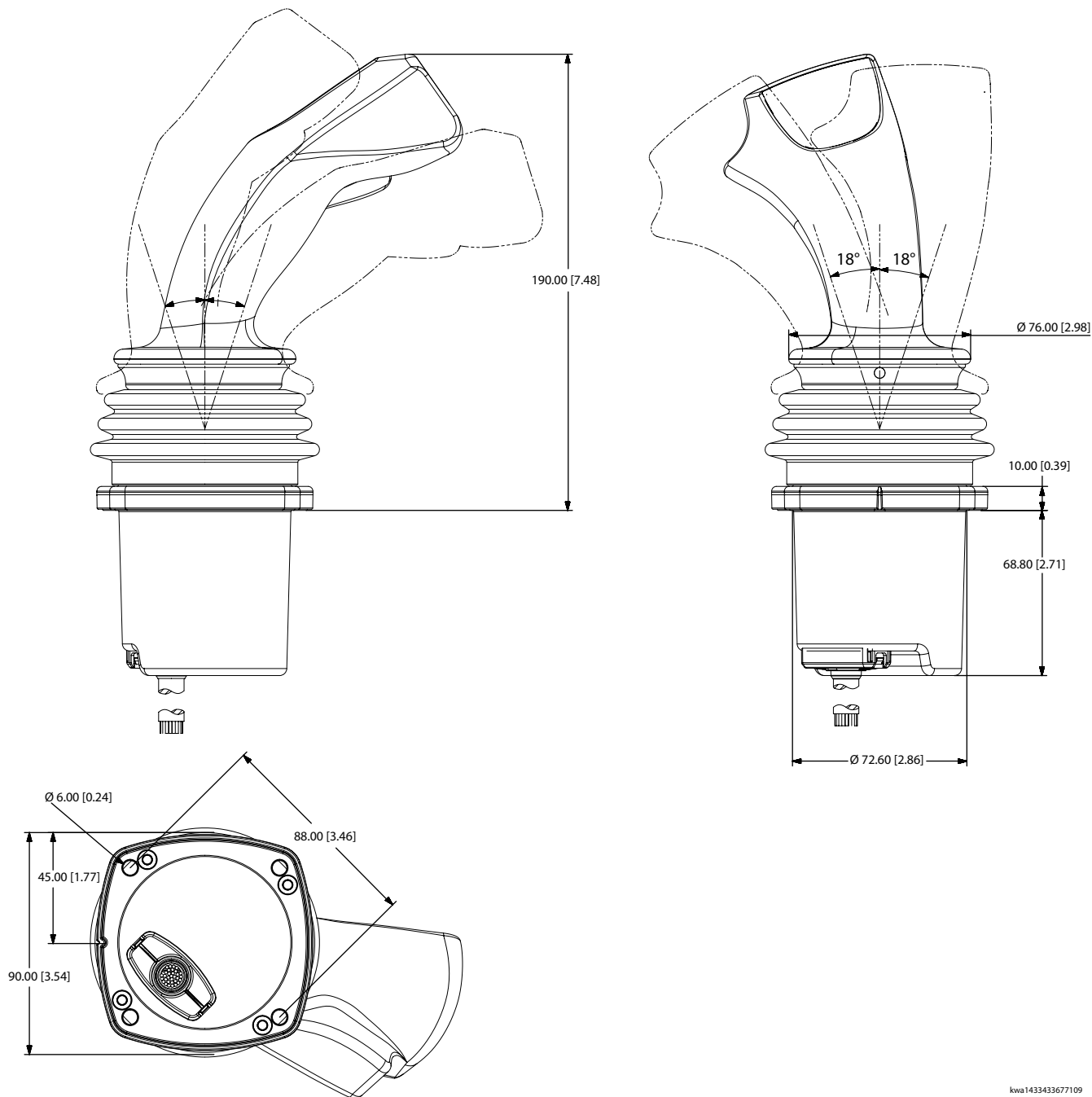
The PR2, PP2 grip is the successor of the Prof 1. The grip features a forward-leaning, curved, ergonomic shape. The textured surface and movement pattern of the grip is designed for a comfortable user interface and maximum functional control.

For applications that require high ingress protection (IP66) select the PP2 grip. For more information see F2 ordering code under [Grip model code](#).

PR2, PP2 grip

Dimensions

PR2 grip with base dimensions in millimeters [inches]



kwa143343367109

Twelve total grip functions

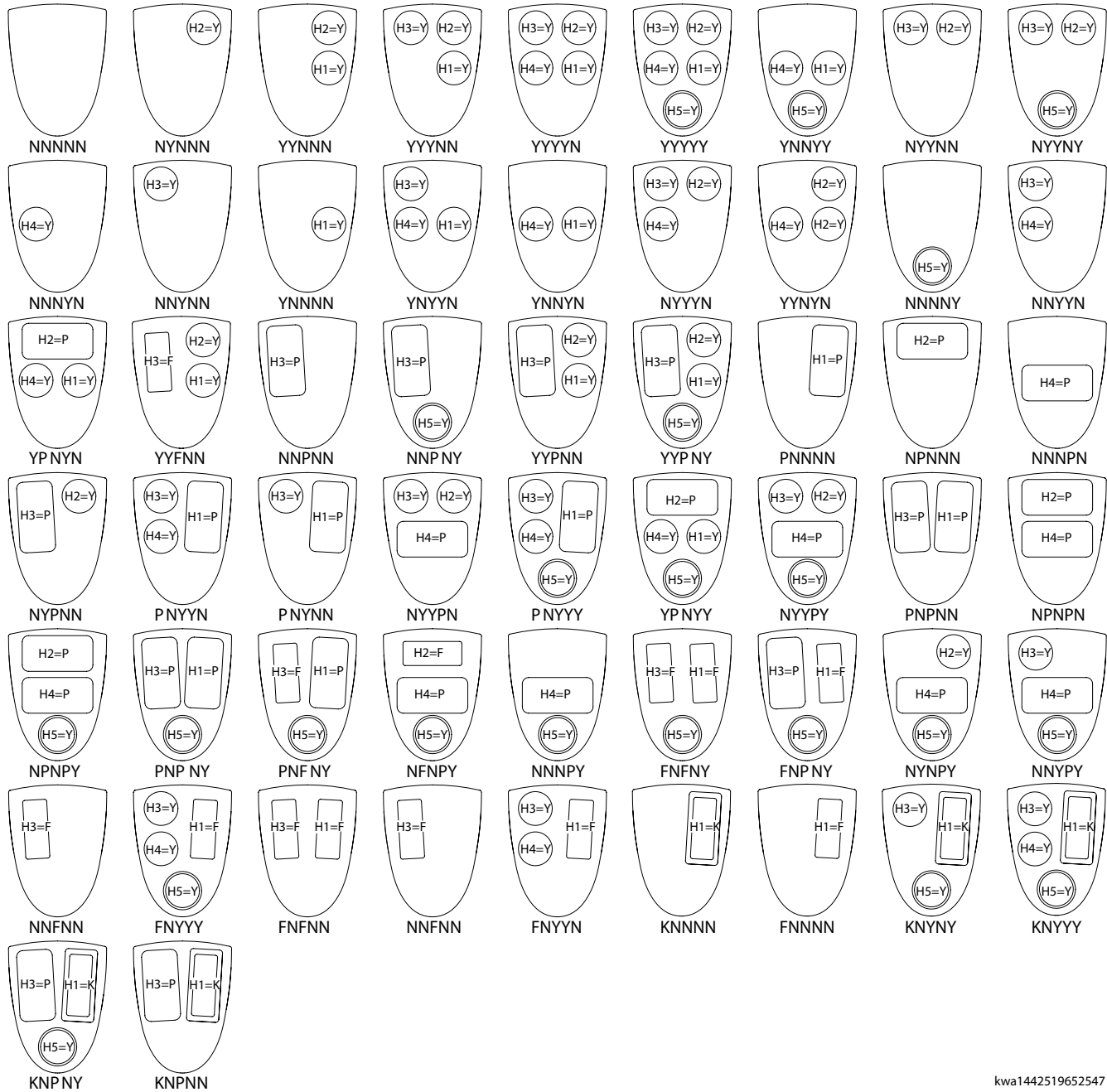
- Front plate: Up to five functions
- Grip left side: Up to three functions
- Grip right side: Up to two functions
- Grip rear side: Up to two functions or an OPS

Push button = 1 function, roller/rocker/FNR/Operator Presence Switch = 2 functions

PR2, PP2 grip

Faceplate options

PR2 faceplate options



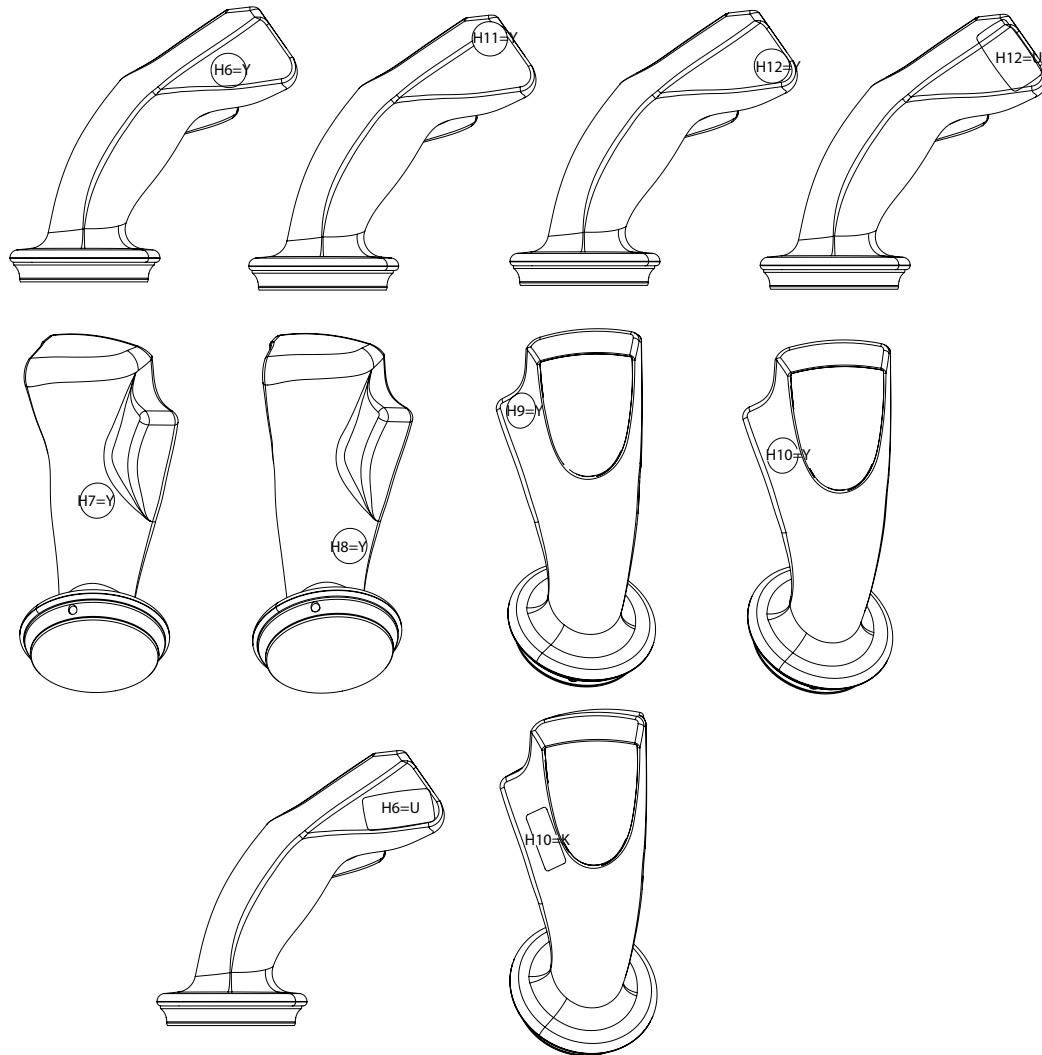
kwa1442519652547

Related reference

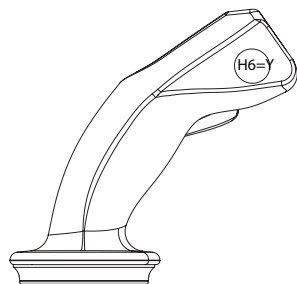
PR2, PP2 grip

Cover options

PR2 cover options



H6 alternate position when configuring Prof1 replacement



When this option is used, grip is limited to 8 functions.

ST7, SP7 grip



kwa1452881653576

The multifunction, ambidextrous, ergonomic ST7, SP7 grip is designed for a comfortable user interface and maximum functional control. The ST7, SP7 grip features a modular design that allows switch location flexibility.

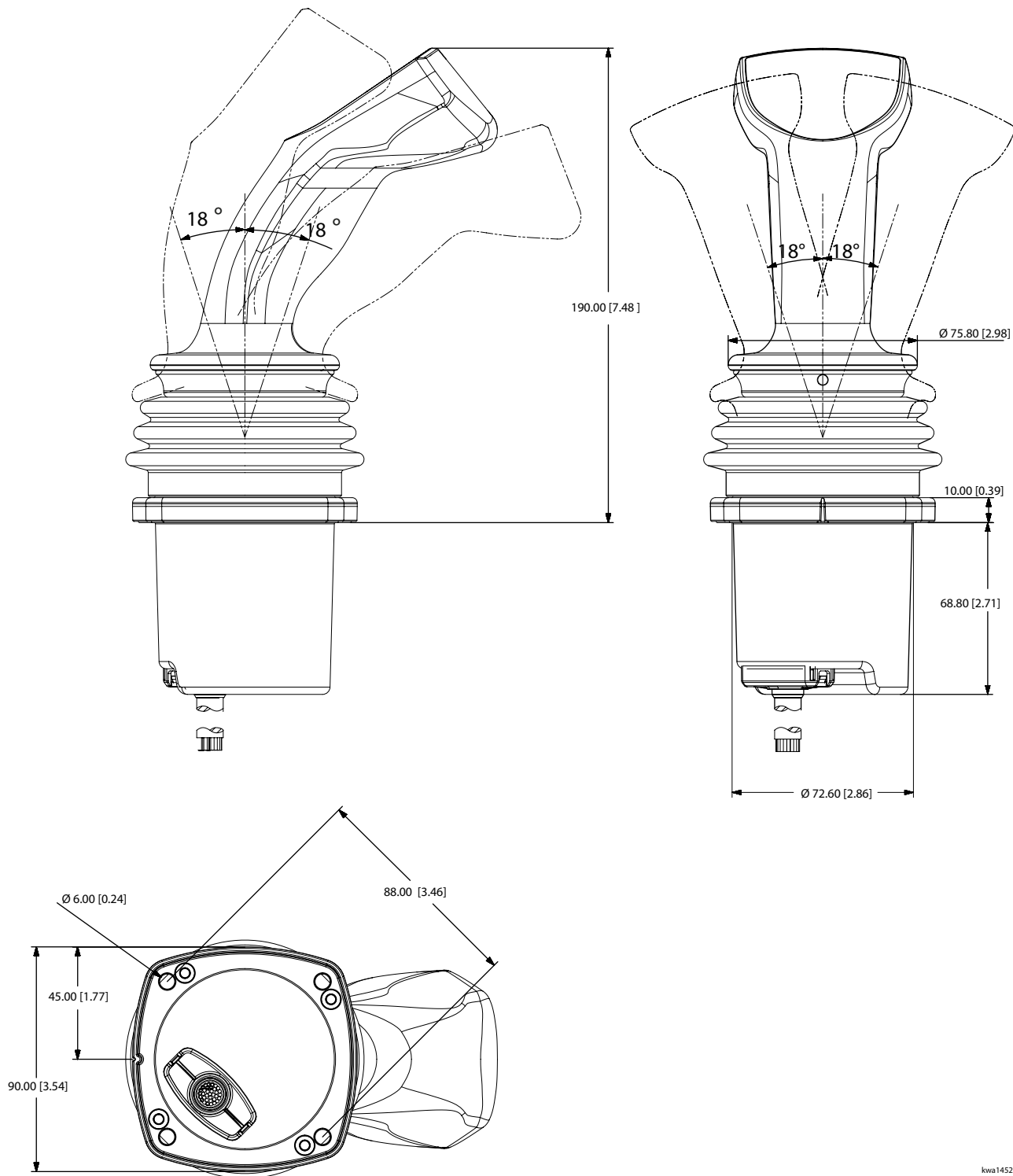
The ST7, SP7 grip is available with combinations of up to 11 push-button switches, or a mix of proportional, FNR, rocker switches, and an Operator Presence switch.

For applications that require high ingress protection (IP66) select the SP7 grip. For more information see F2 ordering code under [Grip model code](#).

ST7, SP7 grip

Dimensions

ST7 grip with base dimensions in millimeters [inches]

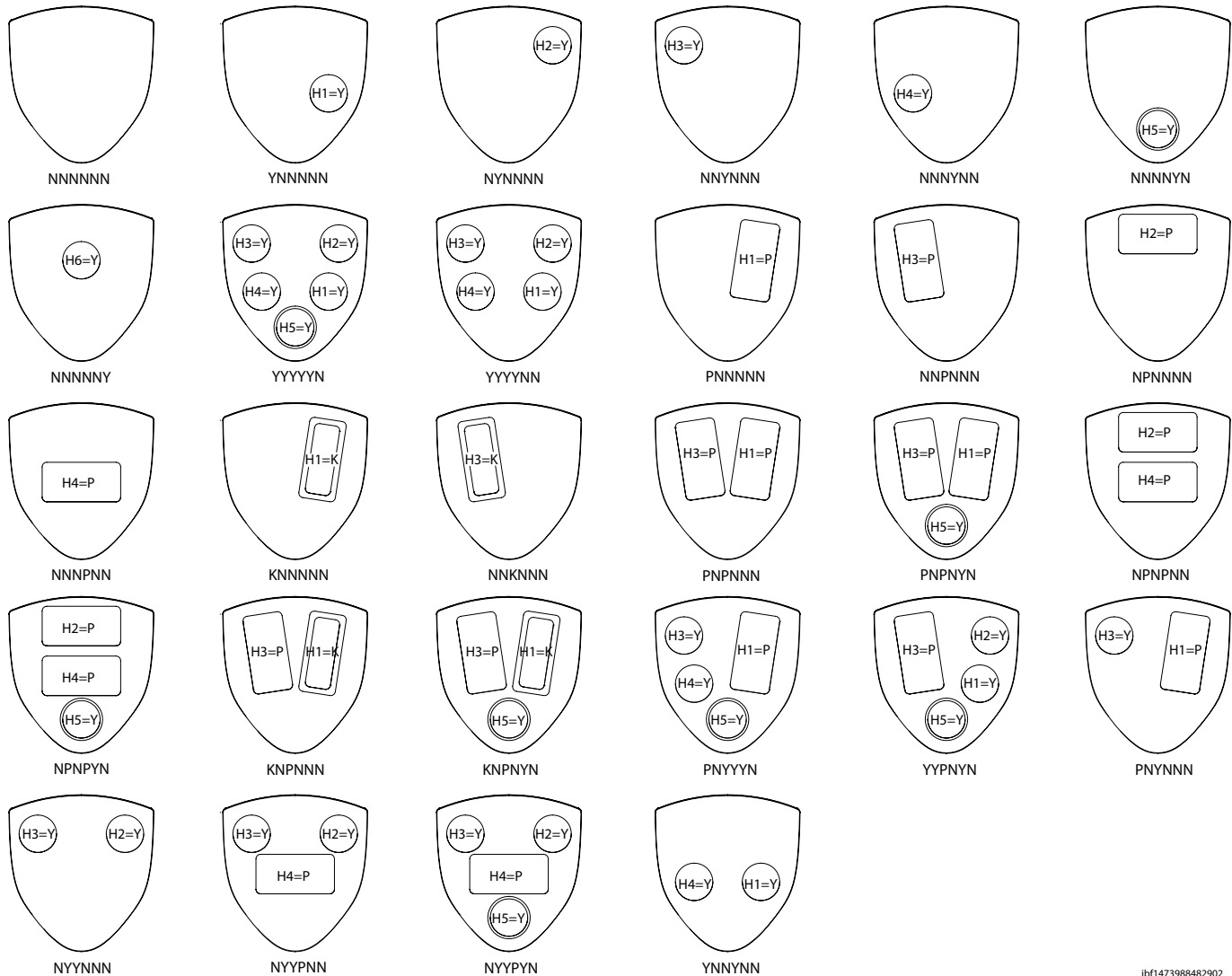


kwa1452886441007

ST7, SP7 grip

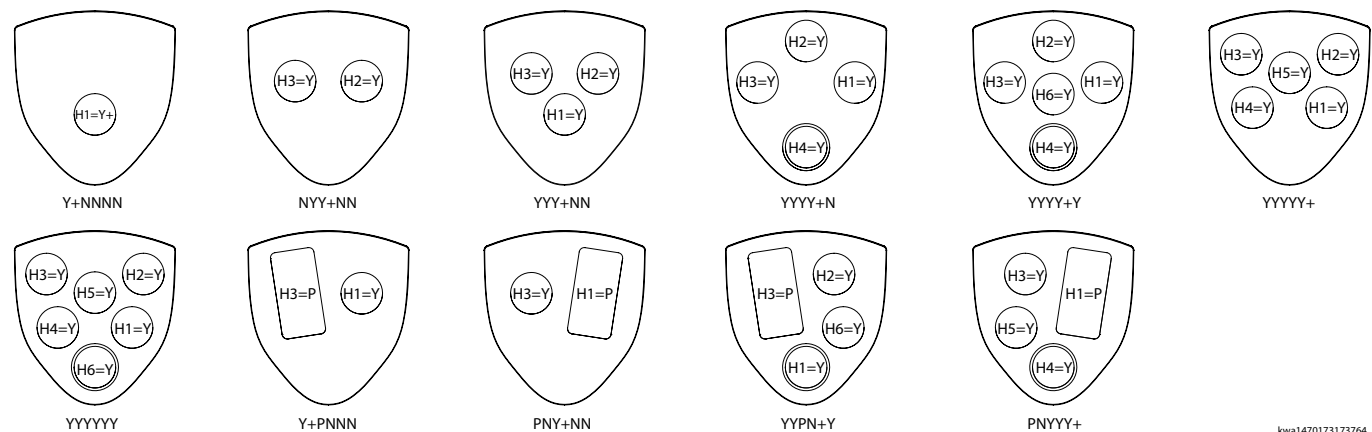
ST7—Faceplate options

ST7 grip faceplate options



jb1473988482902

ST7 grip faceplate customer specified options

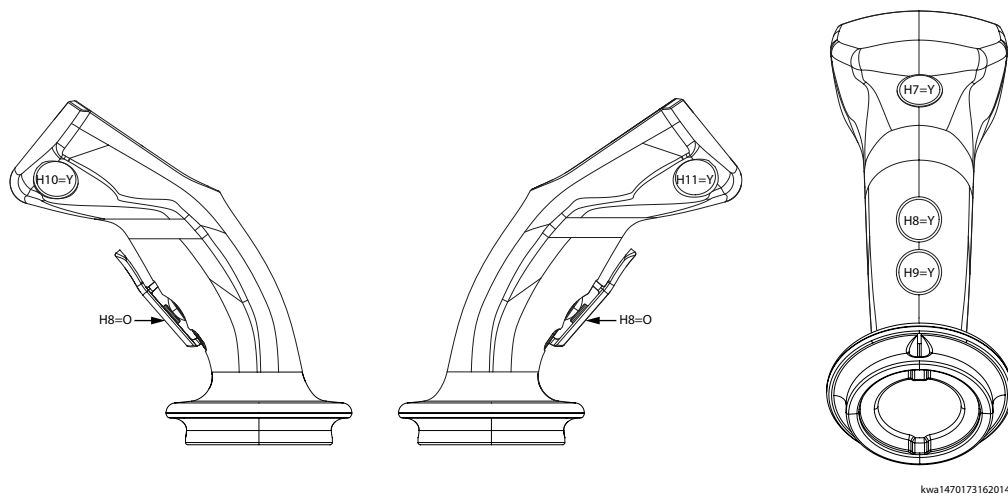


kwa1470173173764

ST7, SP7 grip

Cover options

ST7 cover options



PR7, PP7 grip



The ergonomic PR7, PP7 left and right hand grips, with easy-to-use finger tip switches, are designed for ease of access to push-button, trigger switches and proportional grip function manipulation for a comfortable user interface and maximum functional control.

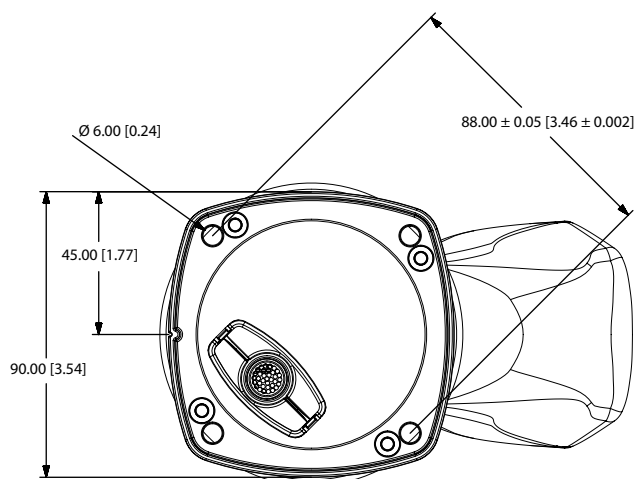
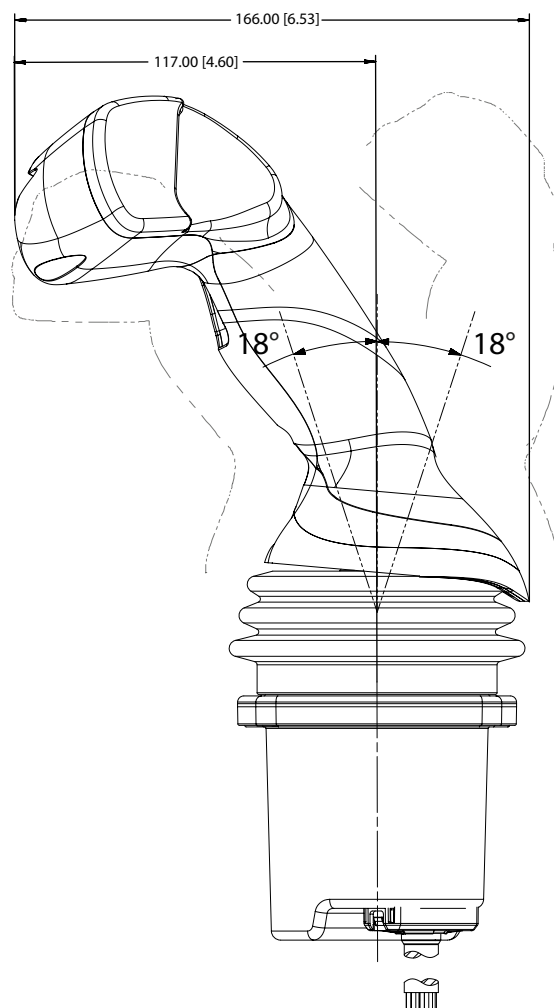
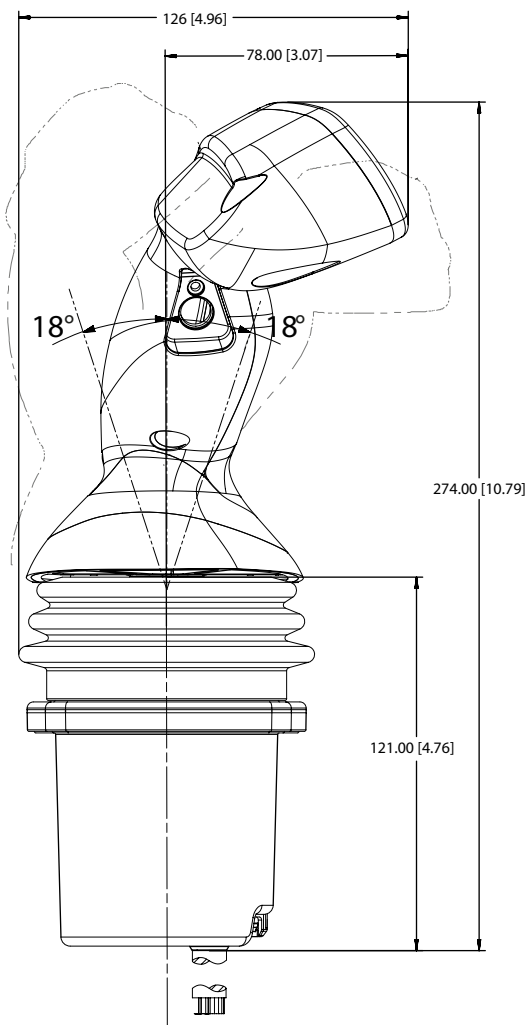
The PR7, PP7 grip features quicker adaptability, especially for new and complex machines, maximizing productivity in all operating conditions.

For applications that require high ingress protection (IP66) select the PP7 grip. For more information see F2 ordering code under [Grip model code](#).

PR7, PP7 grip

Dimensions

PR7 grip with base dimensions in millimeters [inches]

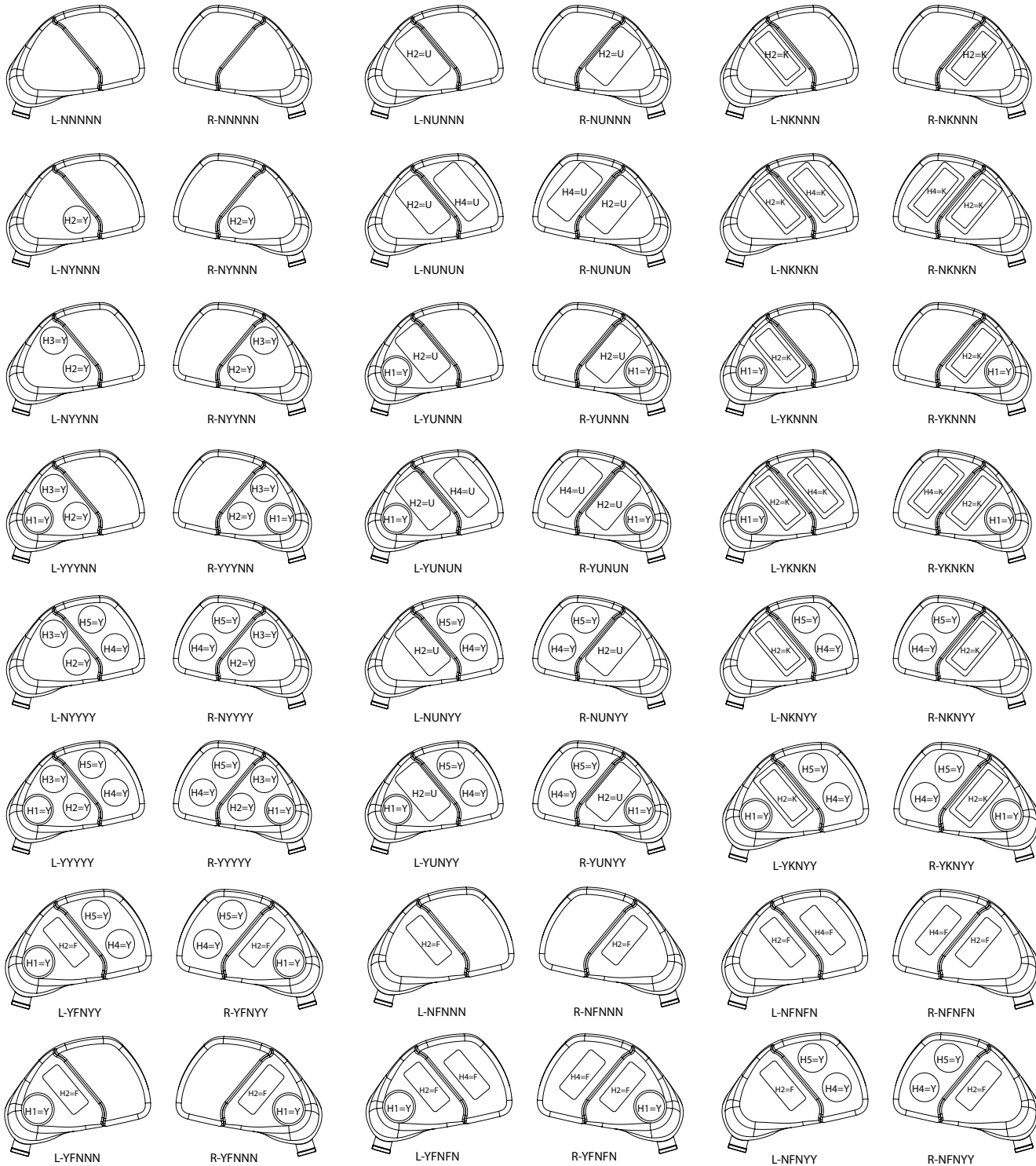


kwa1452895556296

PR7, PP7 grip

Faceplate options

PR7 faceplate options

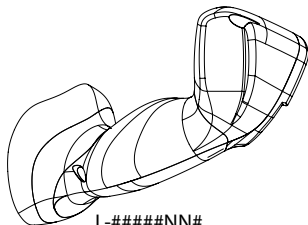


kwa1454539607113

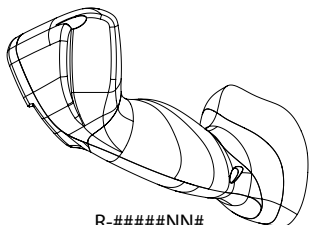
PR7, PP7 grip

Cover options

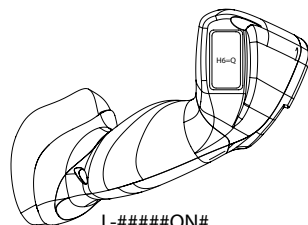
PR7 cover options



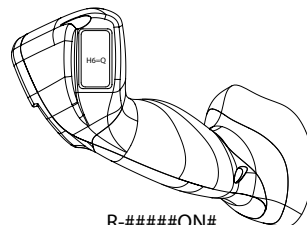
L-#####NN#



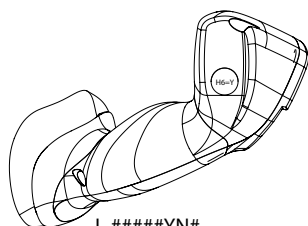
R-#####NN#



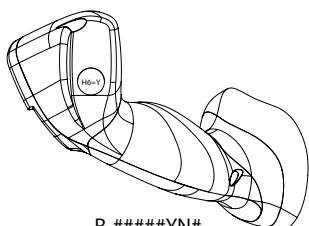
L-#####QN#



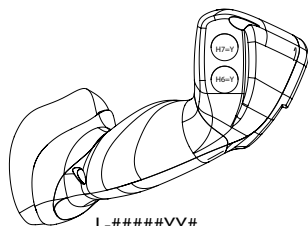
R-#####QN#



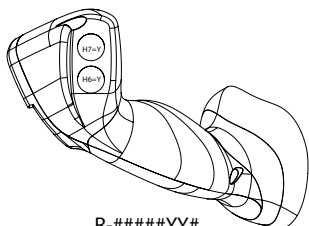
L-#####YN#



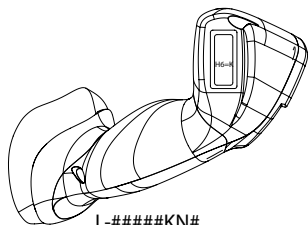
R-#####YN#



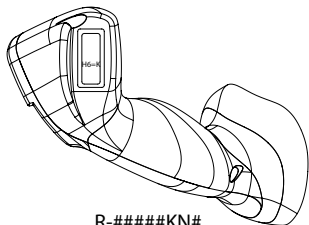
L-#####YY#



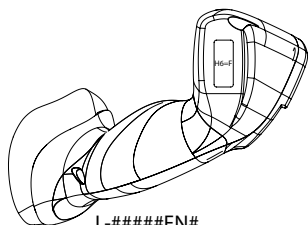
R-#####YY#



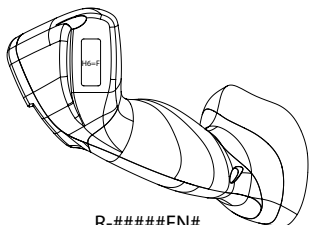
L-#####KN#



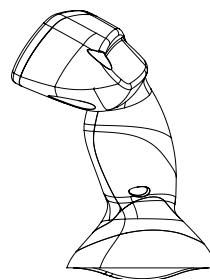
R-#####KN#



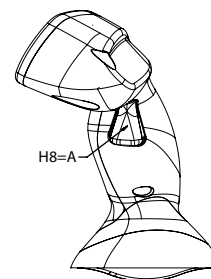
L-#####FN#



R-#####FN#

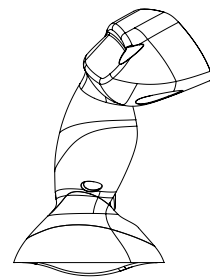


L-#####N

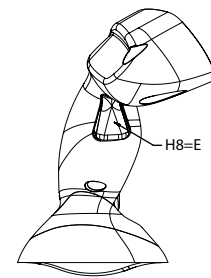


H8=A

L-#####A



R-#####N



H8=E

R-#####E

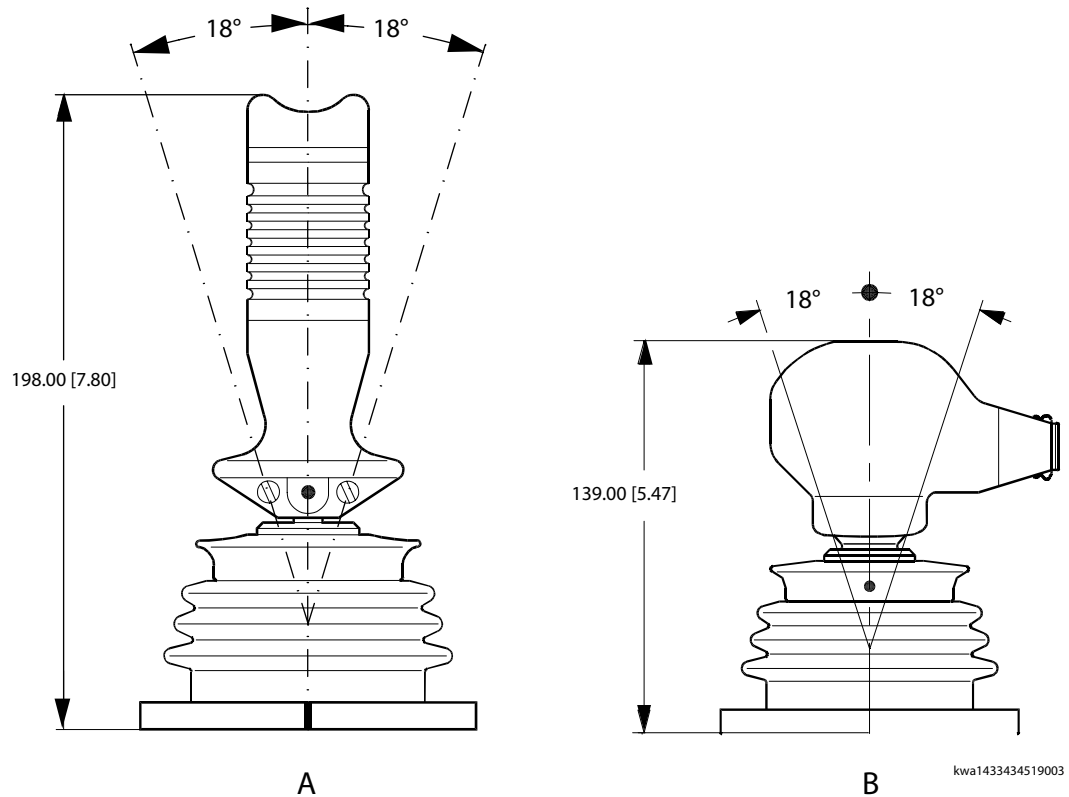
kwa1454542269293

Compatible grips

Other Danfoss grips compatible with the JS1 heavy duty base are Prof1, PVRE and PVRET which are generally used together with valves. For more information regarding Prof1, PVRE and PVRET grips please reference *Prof 1, PVRE and PVRET Joystick Technical Information Manual, BC152886484305*.

Dimensions

PVRE; and PVRET grips dimensions in millimeters [inches]



- A**
 - STN grip, no switch: IP65
 - STS grip with rocker switch: IP42
 - STP grip with proportional: IP65
- B**
 - STT grip: IP54

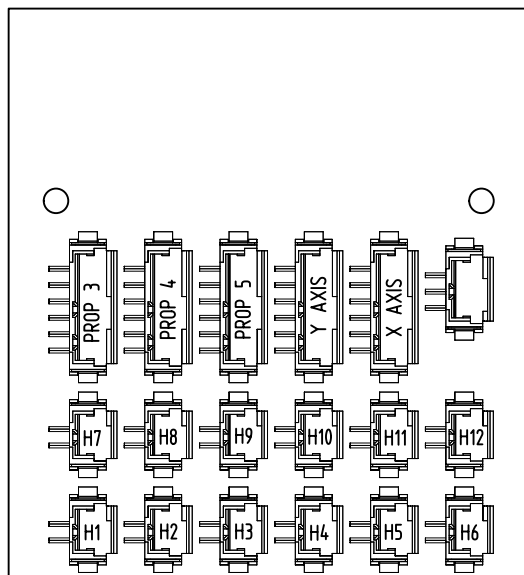
Grip only sales and service options

All Danfoss grips are sell-able items. Go to [Product configuration model code](#) on page 61 and [Grip model code](#) for developing grips.

All finger functions are marked with colored tape to indicate their position on the grip. The grip locations will match to a location on the printed circuit board.

Compatible grips

Printed circuit board



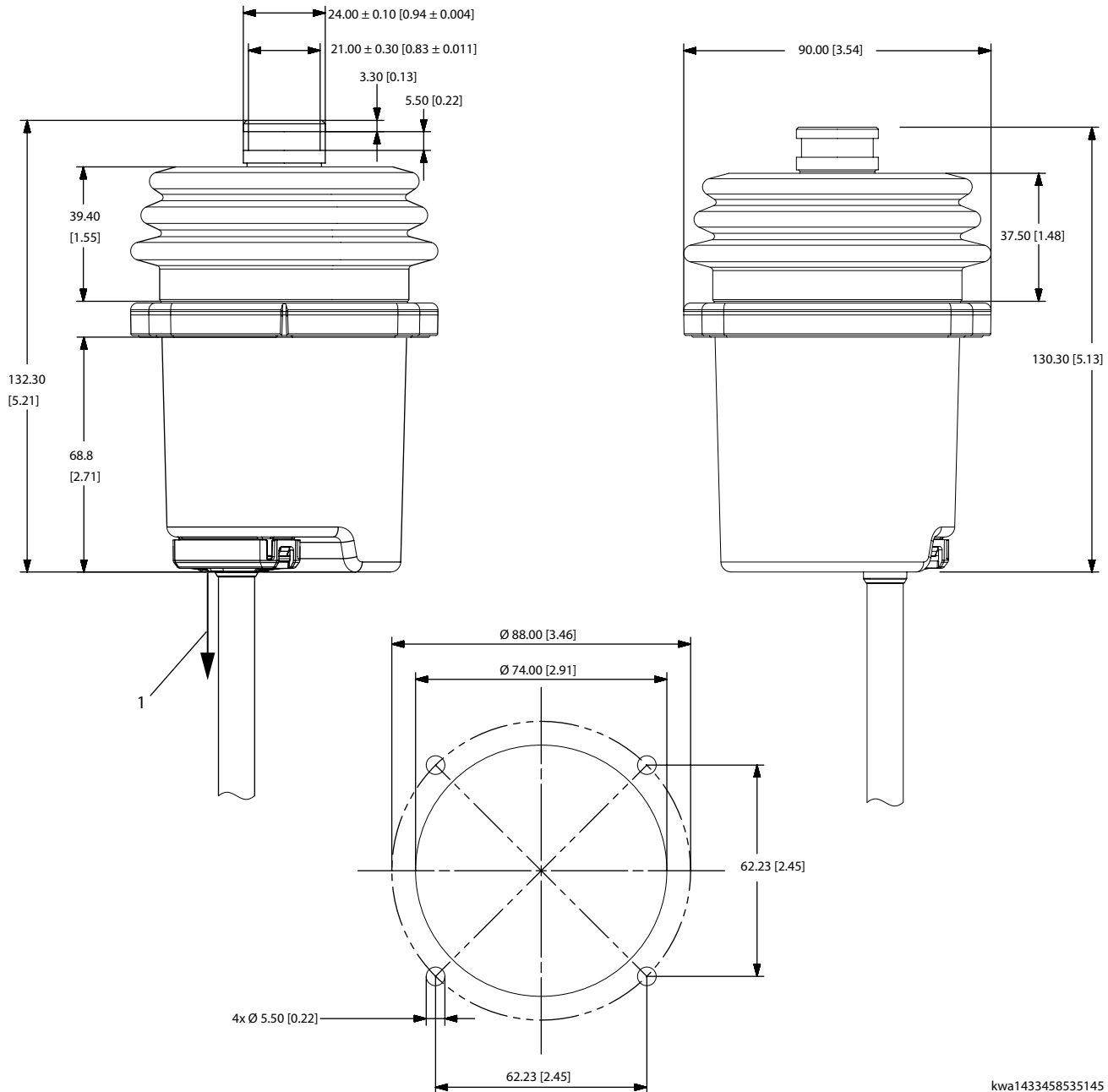
Plug in connectors accordingly

Position	Tape color
H1	Red
H2	Yellow
H3	Blue
H4	Black
H5	White
H6	None
H7	Green
H8	Blue/Black
H9	Yellow/Black
H10	Yellow/Red
H11	White/Red
H12	White/Green
Prop 3	N/A
Prop 4	Yellow
Prop 5	Red

Base

Dimensions

Base dimensions in millimeter [inches]



kwa1433458535145

1. Minimum clearance from the bottom of the base:

- 25.4 mm (1 in) for the one and two 6 pin connector cables (CAN output)
- 40 mm (1.6 in) for all other cables

Mounting screws have a maximum torque of 7.9 N·m (69.9 in·lbf).

Electronic modules

Due to mechanical limitations, the sensor outputs may not reach 100% output when the JS1-H joystick is moved to the corners of the base.

CAN

The CAN heavy duty joystick provides conditioned output information in CAN 2.0B, J1939 or in CAN 2.0B, CANopen message protocols.

CAN+

The CAN+ electronic module is designed to provide the same functionality as some of the Danfoss JS6000 and JS7000 modules. "The +" feature set allows developers to take advantage of 4 analog and 7 digital inputs for other machine functions.

The Can+ electronic module has a sensor power output of 5.0 V_{DC} rated for 250 mA.

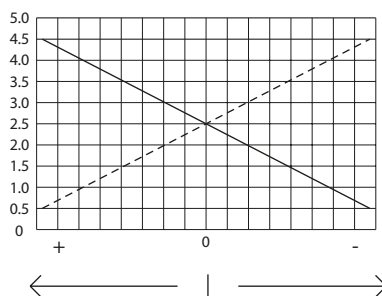
CANalog

The CANalog electronic module provides conditioned output information in CAN 2.0B, J1939 or in CAN 2.0B, CANopen message protocols. Additionally, the two X-axis outputs and the two Y-axis outputs are brought out as analog signals on the connecting cables. The outputs from any other optional analog devices, such as rollers, are also brought out to the connecting cables.

Additional X and Y analog outputs

There are two X-axis outputs and two Y-axis outputs on the CAN joystick. The outputs are linear with respect to the shaft angle. The two outputs of the same axis are complementary of each other, as the output voltage of one increases, the output voltage of the second decreases. The voltage output ranges from 0.5 to 4.5 V_{DC}.

Proportional roller output



P200078

- | | |
|---------------------|----------------------------------|
| Volts: | Output with Halls = 0.5 to 4.5 V |
| Solid line: | Output 1 |
| Dashed line: | Output 2 |
| Left arrow: | Direction 1 (+ travel) |
| Right arrow: | Direction 2 (- travel) |

PVE

The PVE electronic module is designed to provide functionality the same as the Danfoss Prof1 Joystick. There are two different PVE modules, the Standard and the Extended.

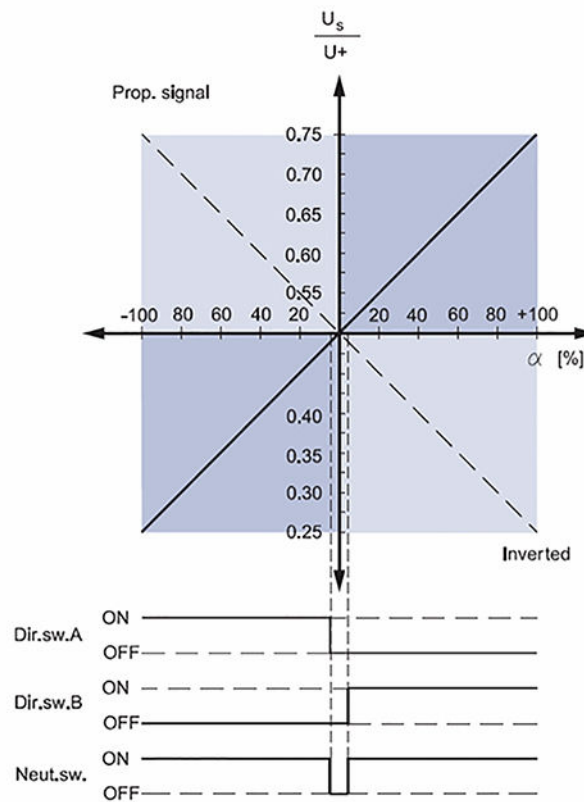
Electronic modules

PVE—Standard

The standard level electronic module provides amplifiers, inverting and signal relays on all proportional outputs, and an electronic switch on all On/Off outputs.

The signal relays are controlled by the power supply in such a way that a power failure will disconnect the output. When used together with a Danfoss proportional valve signal inversion, the joystick moves the spool in the direction opposite to the default. This is equivalent to swapping the hoses on the valve outlets.

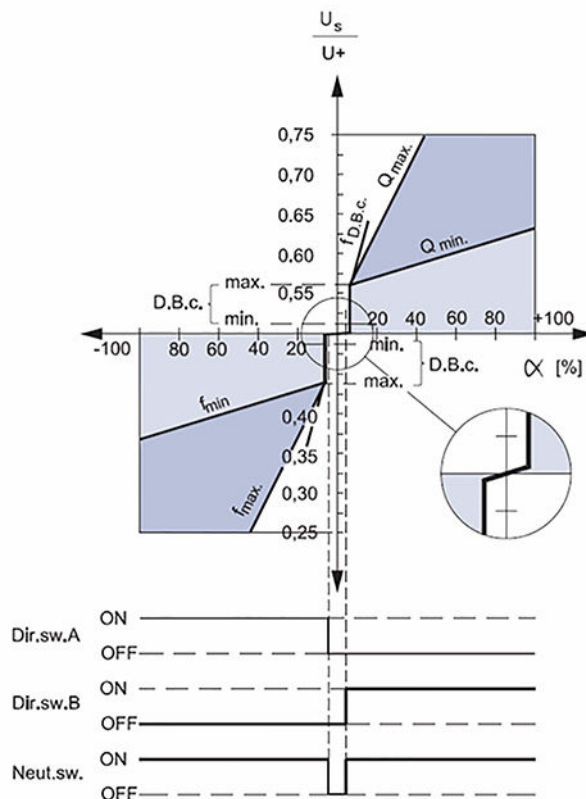
The directional switches are not affected by the signal inversion.



Electronic modules

PVE—Extended

The extended level electronic module has the same configuration as the standard level module. Additionally it has adjustable proportional functions. The extended level module offers the option of individual signal adaption (flow adjustment) and common dead-band compensation.



The dead band compensation ensures that the dead band of the valve is reduced to a minimum movement of the grip. The dead band compensation is only active outside the neutral range, which ensures normal amplification within the neutral position range. The dead band compensation is set for all four proportional functions on one potentiometer. For each proportional function there are two integrated potentiometers that independently control the gain for the A and B directions of the signal output without limiting the movement range of the handle (adjustable flow range). The gain of each function can be adjusted from 0.25 to 2.00. This has no effect within the dead band compensation.

Non-Redundant Analog interface (CAT1)

The Non-Redundant Analog interface provides single channel X-axis and Y-axis output signals by a pure analog platform that contains no active electronics. This version offers raw signals from function modules, proportional modules, and push buttons. This module is available only with Hall effect sensing elements. The Hall effect base is limited to 5 V_{DC} input power and provides an output of 10 to 90% of the input voltage.

[Not all of the joystick functions are released for the PWM base. See *Joystick functions* on page 45 Joystick Functions chapter for details.](#)

Full-Redundant Analog interface (CAT3)

In addition to the features of the Analog Category 1 electronic module, the Analog Category 3 interface provides redundant X- and Y-axis output signals with separated power supply and ground connections.

Electronic modules

Due to mechanical limitations, the sensor outputs may not reach 100% output when the JS1-H joystick is moved to the corners of the base.

PWM (Programmable)

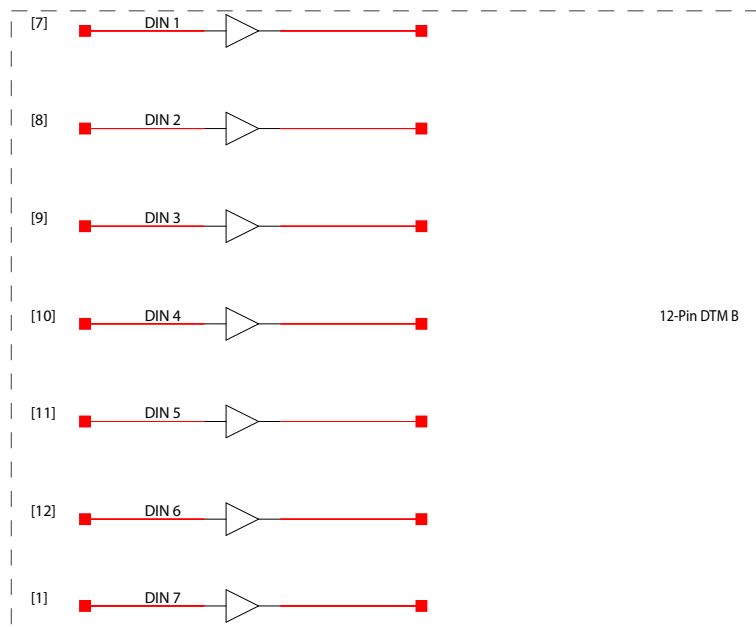
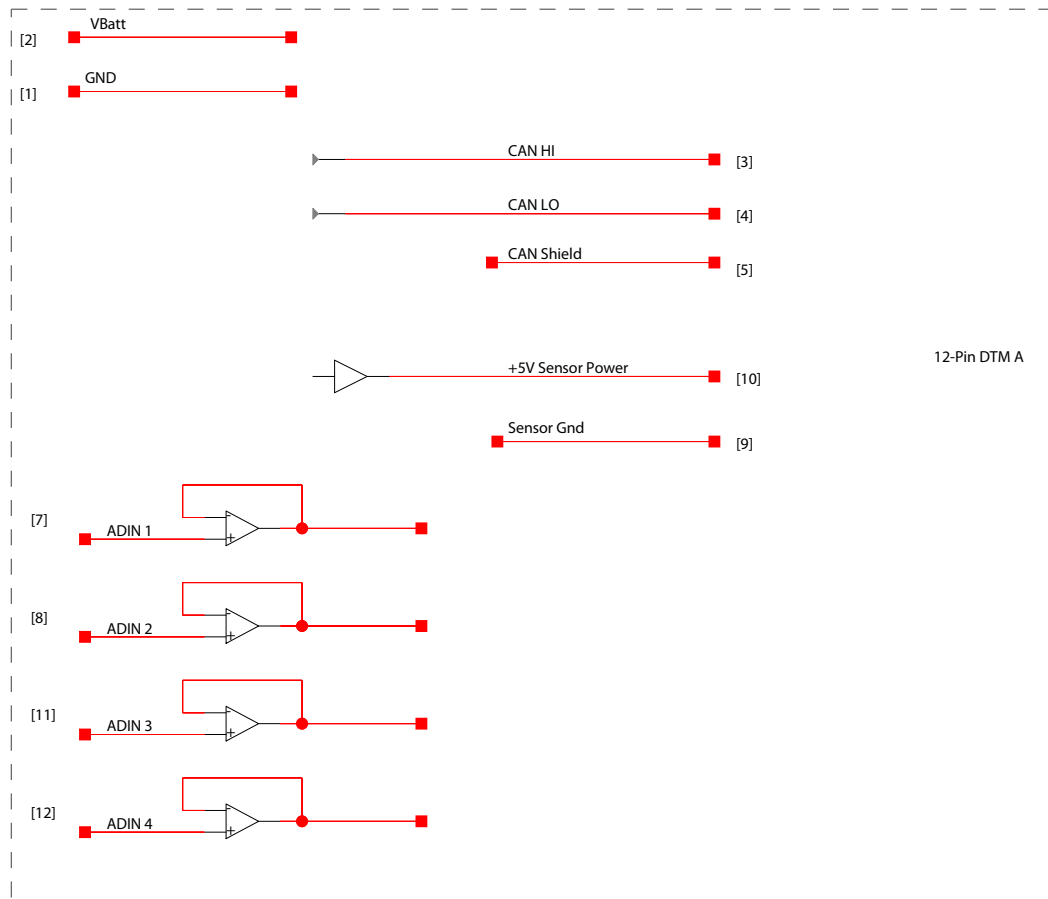
The PWM base features 4 PWM and 2 On/Off type outputs. This joystick is shipped with no application installed and allows for customers to develop their own solution using PLUS+1® GUIDE.

Not all of the joystick functions are released for the PWM base. See *Joystick functions* on page 45 for details.

Connection diagrams

CAN+

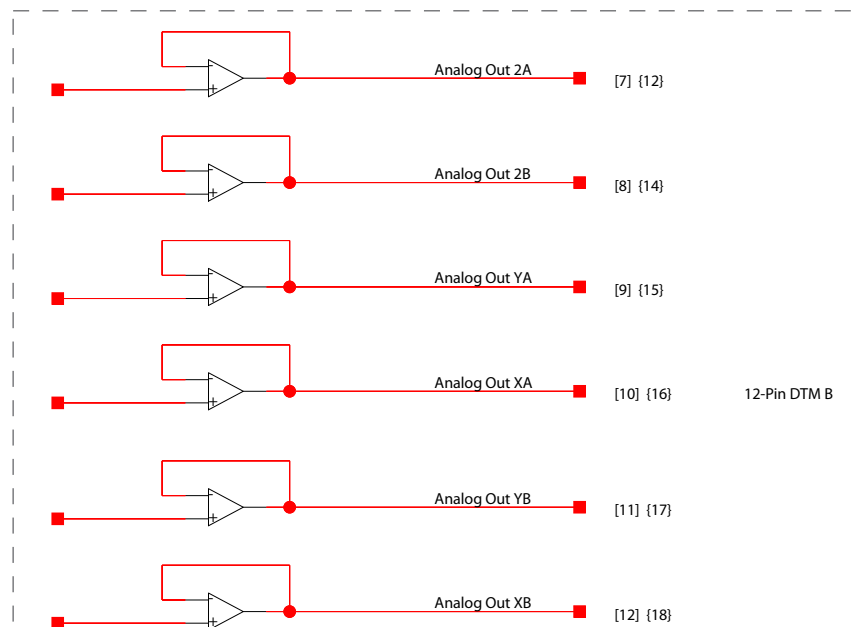
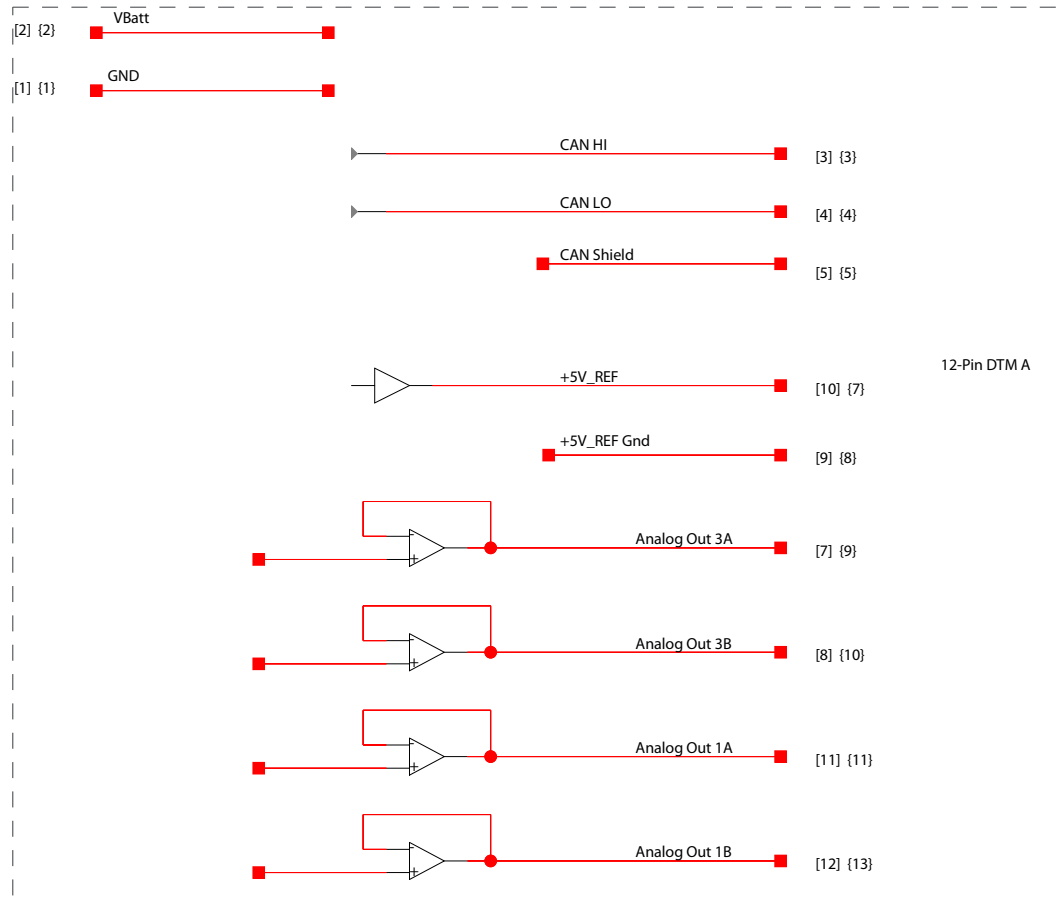
Numbers in [] indicate external DTM pin number.



Connection diagrams

CANalog

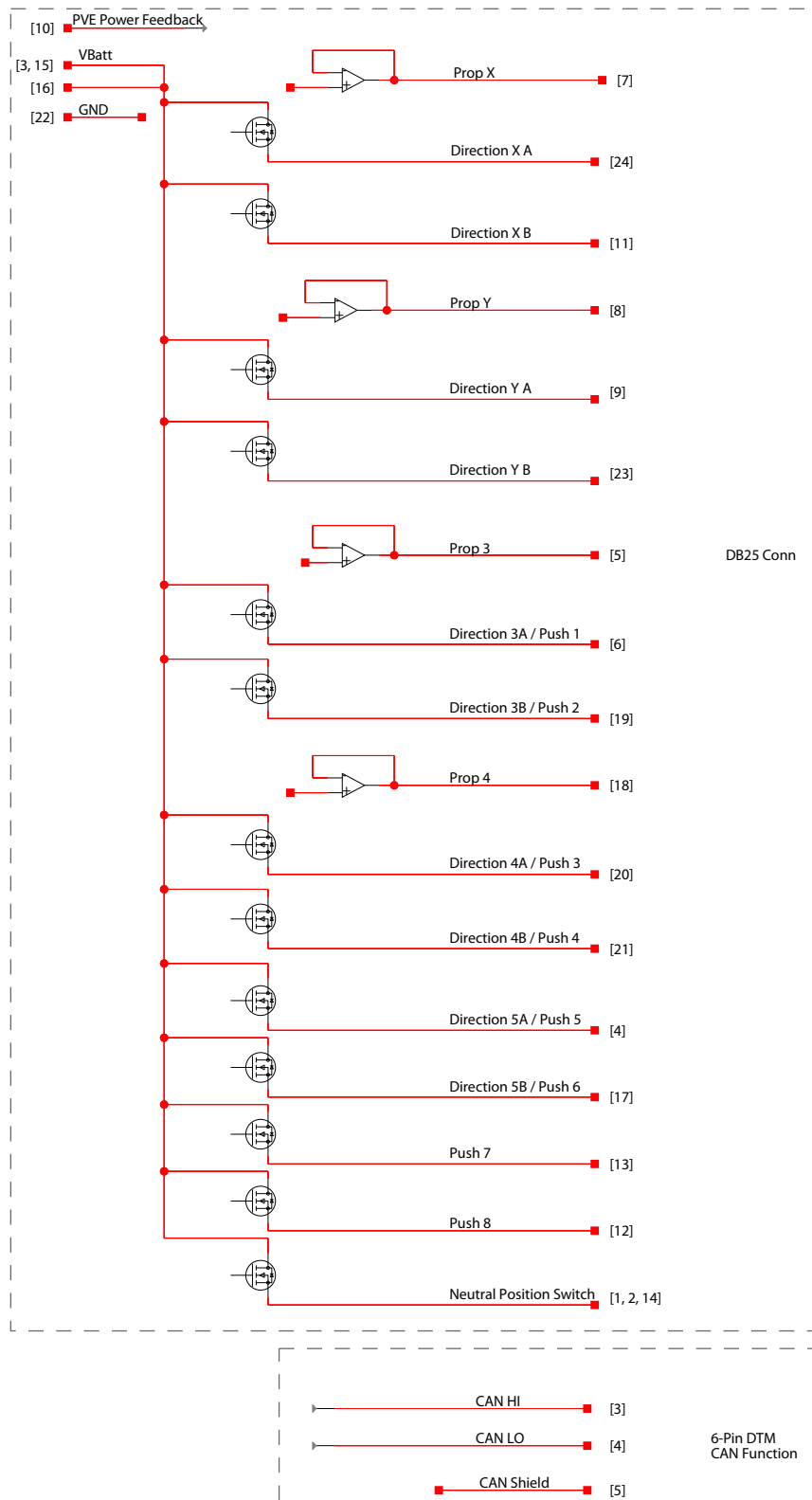
Numbers in [] indicate external DTM pin number, numbers in {} indicate external 18 pin DT pin number.



Connection diagrams

PVE DSUB

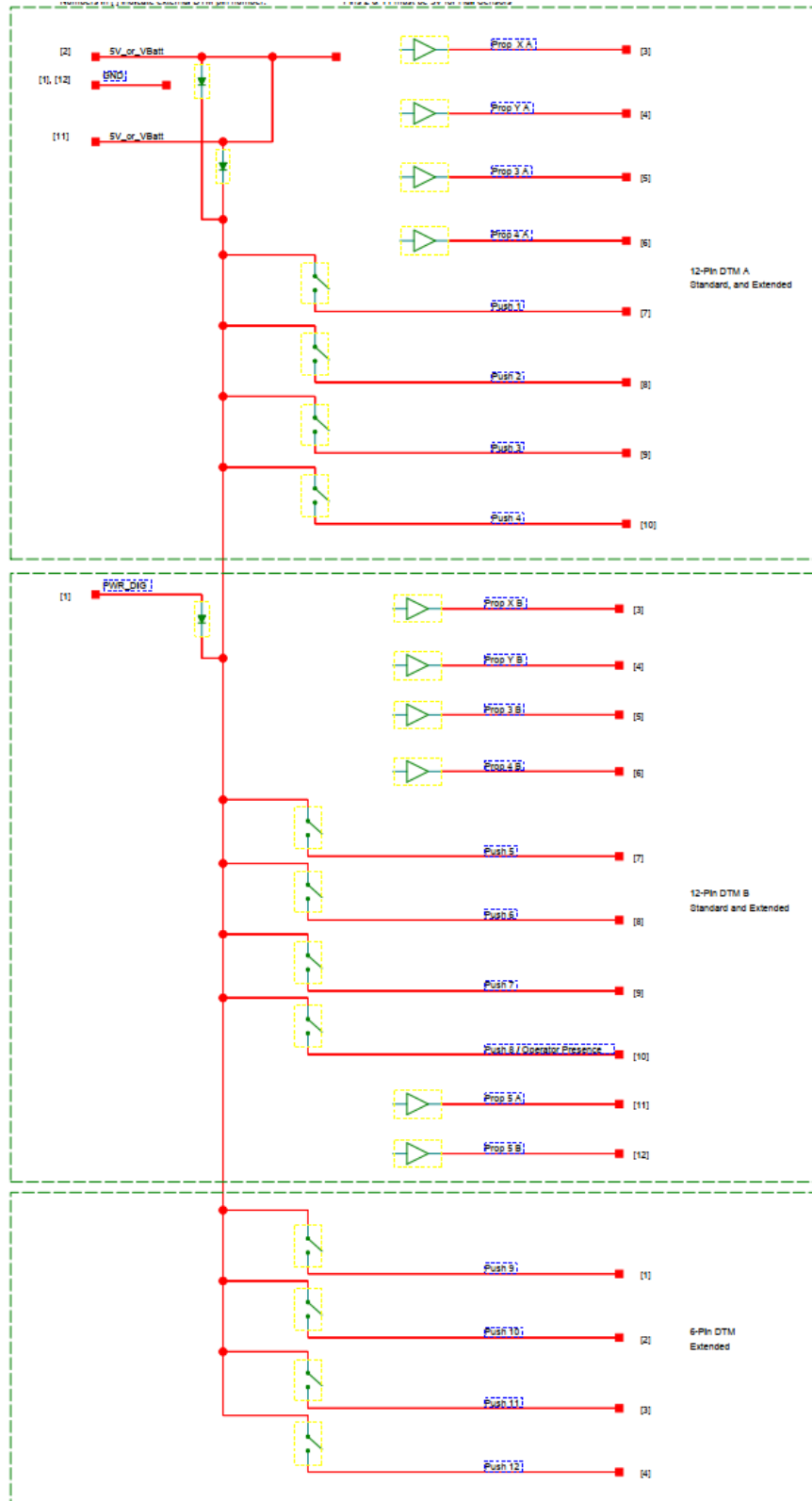
Numbers in [] indicate the DB25 connector pin number.



Connection diagrams

Analog Cat 1

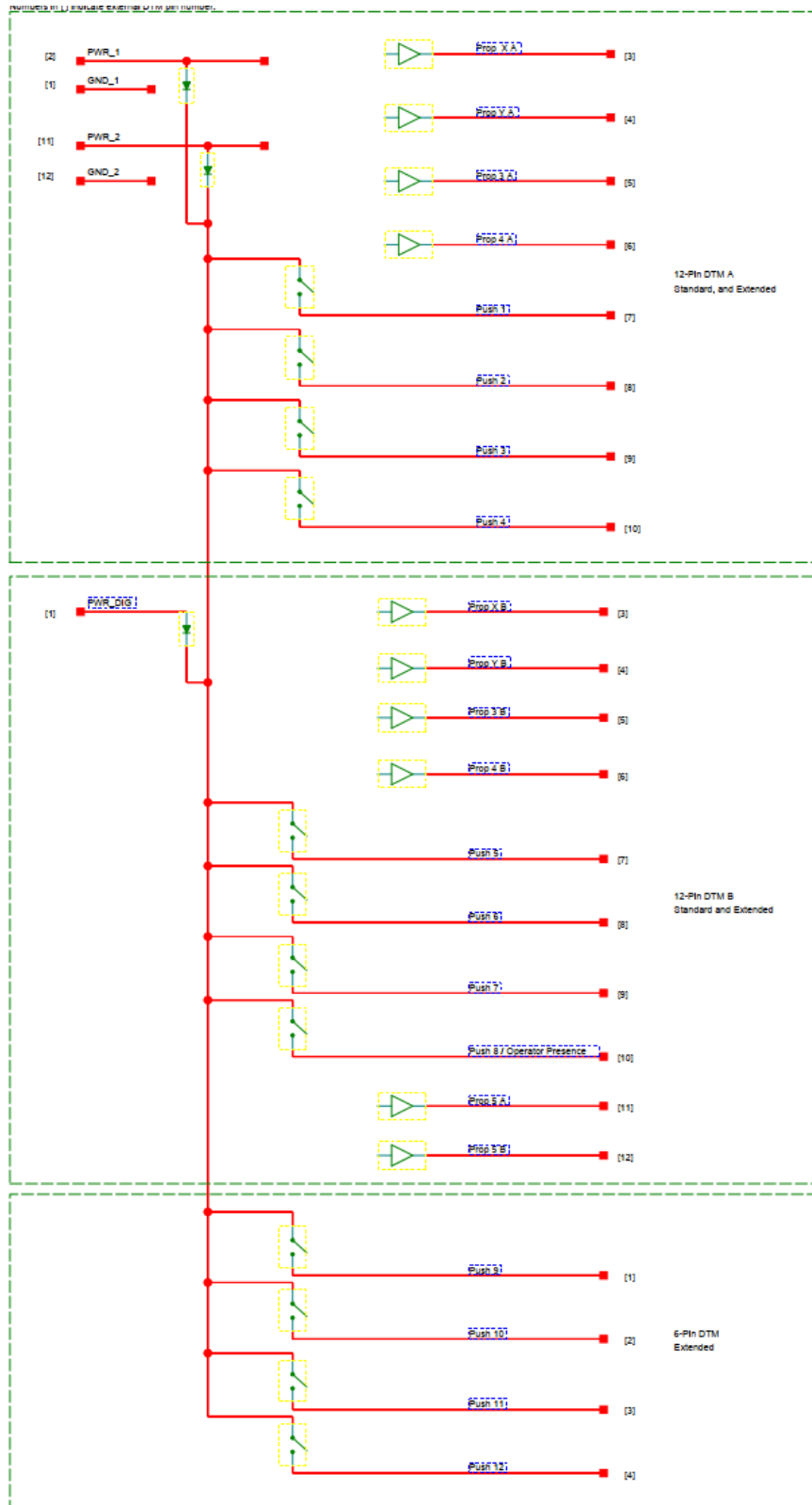
Numbers in [] indicate external DTM pin number.



Connection diagrams

Analog Cat 3

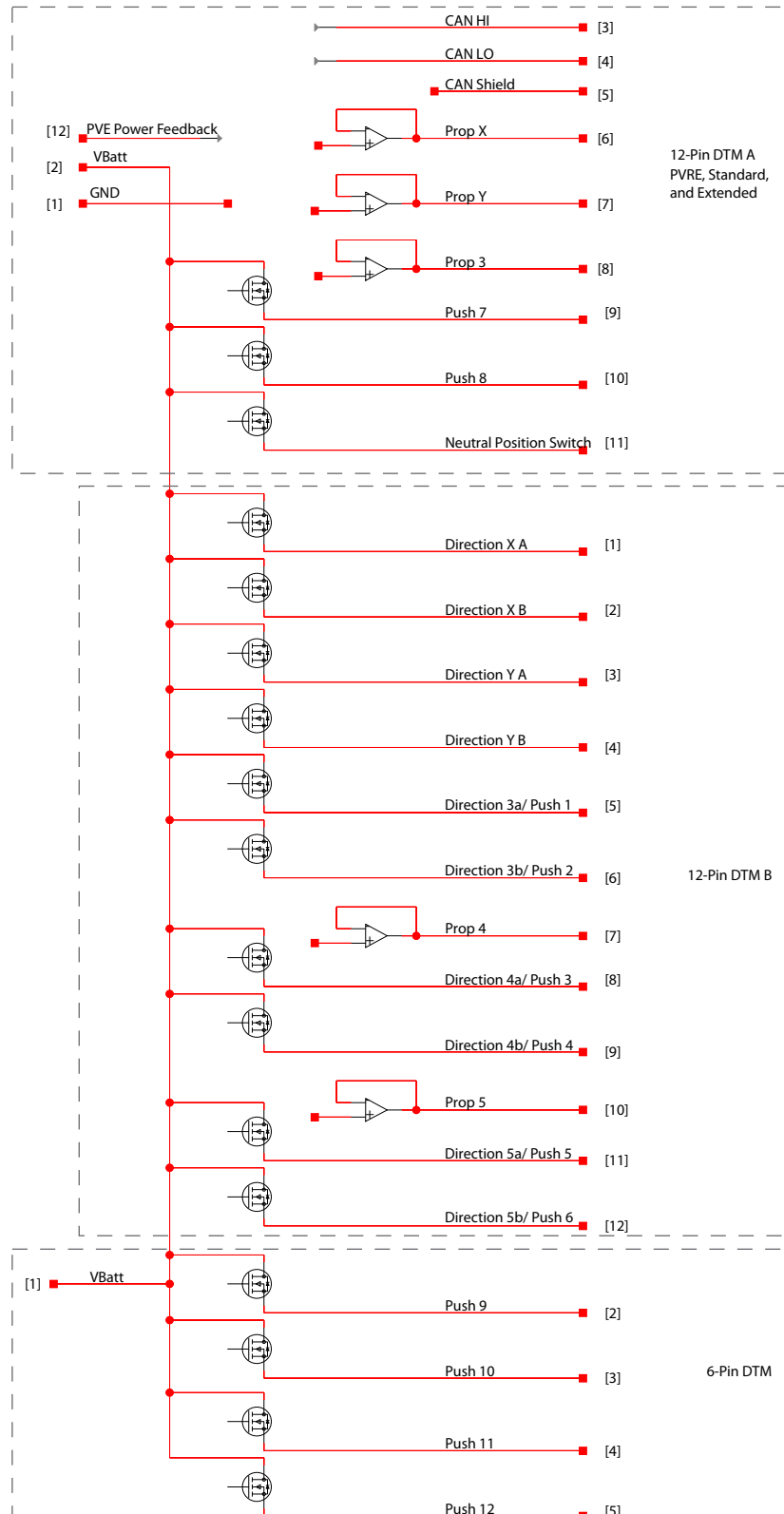
Numbers in [] indicate external DTM pin number.



Connection diagrams

PVE Deutsch

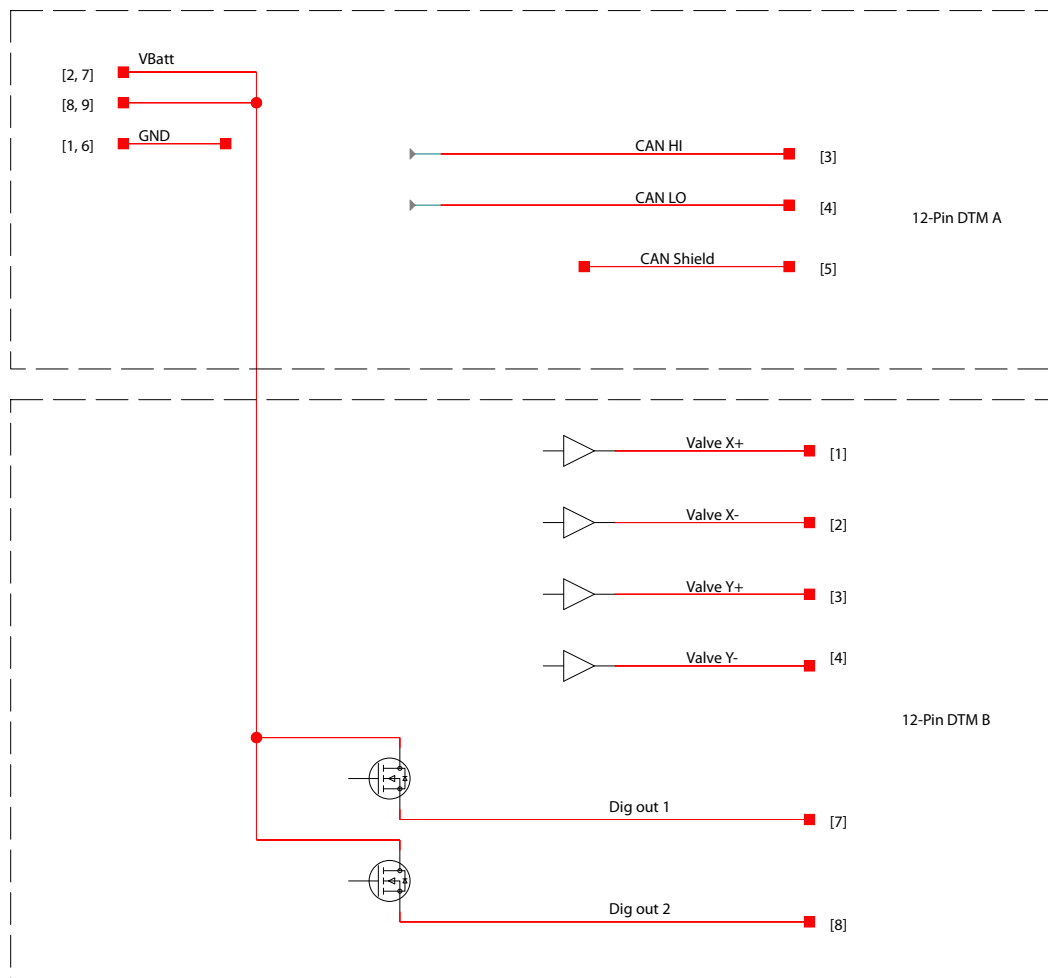
Numbers in [] indicate external DTM pin number.



Connection diagrams

PWM

Numbers in [] indicate external DTM pin number.



Specifications

Mechanical

Mechanical characteristics

Shaft mechanical angle limits	± 18°
Base mechanical life	Single axis with friction = 1 million full operating cycles
	Single axis and dual axis with spring return = 2.0 million full operating cycles
	Dual axis with spring in one axis, friction in one axis = 1 million full operating cycles
Maximum force on handle	1000 N
Maximum torque	15 Nm
Base only mass	0.75 kg (1.65 lbf)
Weight (base without grip)	725 G (1.8 lb)
Vertical maximum load	2500 N (560 lbs)

Spring return, base only

Breakout load on axis	
Standard duty spring: 6 to 8.5 N (1.35 to 1.91 lbf)	Heavy duty spring: 12 to 19 N (2.698 to 4.271 lbf)

Friction hold, base only

Friction level		Friction	Center detent
A	Low friction-Low detent	0.8 Nm	1.5 Nm
B	Low friction-High detent	0.8 Nm	2.0 Nm
C	High friction-High detent	1.6 Nm	3.0 Nm

Friction hold/Spring return, base only

	Friction level	Spring type
E	A	Standard
J	A	Heavy

Specifications

Electrical—CAN, CAN+, and CANalog

Electrical—CAN, CAN+, and CANalog characteristics

Sensor type	Hall effect with redundant sensors
	Potentiometer
Resolution	12 bit
Supply voltage (V_s)	9 to 36 V _{DC}
Output	J1939 and CANopen protocols
Can+ Sensor Power	5.0 V _{DC} +/- 5% at 250 mA
CANalog volt reference	5.0 V _{DC} +/- 5% at 50 mA
Base maximum current consumption	120 mA at 9 V
CANalog analog outputs	0.5 to 4.5 V _{DC} at 1 mA max

Electrical—PVE (Standard and Extended)

Electrical—PVE (Standard and Extended) characteristics

Supply voltages	U_{DC}	9 to 36 V _{DC}
Maximum current consumption		8 A
Current consumption, no load		150 mA
Maximum load for push buttons and directional switches for all proportional functions		0.6 A
Neutral position switch		3 A
Sensor type		Hall effect with redundant sensors
		Potentiometer
Signal voltage U_s	Minimum to maximum	0.25 to 0.75
	Neutral position	0.50
Signal load in neutral position	Load type	PVE
	Load impedance	>6 kΩ
Signal current at maximum movement	U_{DC} = 12 V	6 kΩ
		± 0.6 mA
	U_{DC} = 24 V	± 1.2 mA
Signal current in neutral position	U_{DC} = 12 V	± 0.4 mA
	U_{DC} = 24 V	± 0.8 mA
Inverter	Non inverted	Output signal = U _s
	Inverted	Output signal = -1 x (U _s - 0.5 x U ₊) + 0.5 x U ₊

Electrical—PVE (Extended only)

Electrical—PVE (Extended only) characteristics

Signal regulation U_s	U_s Minimum (50%)	0.37 to 0.63 at 100% movement
	U₊ Maximum (200%)	0.25 to 0.75 at 50% movement
Dead band compensation	U_s Minimum	0.00
	U₊ Maximum	0.06

Specifications

Electrical—Analog Cat 1, Cat 3

Electrical—Analog Cat 1, Cat 3 characteristics

Sensor type	Hall effect with redundant sensors
Supply voltage (Vs)	4.5 to 5.5 V _{DC}
Output	10 to 90% of input voltage
Output impedance	1 mA max output current at 200 Ohm output impedance
Digital outputs	V _s -0.3 V _{DC} , maximum current 100 mA

Electrical—PWM

Electrical—PWM (programmable) characteristics

Sensor type	Hall effect with redundant sensors
	Potentiometer
Resolution	12 bit
Supply voltage (Vs)	9 to 36 Vdc
Current consumption, no load	120 mA
Maximum current consumption	15 A
Outputs (3 amps)	PWM(4)
	Digital(2)

Environmental






Environmental characteristics

Operating temperature	CAN, CANalog, CAN+, Analog Cat1, Analog Cat3, PWM	-30° C to 80° C (-22° F to 176° F)
	PVE	-30° C to 70° C (-22° F to 158° F)
Storage temperature	-40° C to 85° C (-40° F to 185° F)	
EMI/RFI rating	150 V/m	
Vibration	25 G, 10 ms, 500 bumps in each of 6 directions IEC 60068-2-29 test Eb	
Shock	50 G, 11 ms, 3 shocks in each of 6 directions IEC 60068-2-29 test Ea	
Ingress Protection (IP) rating	Up to IP 66 (dependent on grip sealing selected)	

[For more information regarding IP rating reference F2—Grip type, *Grip model code*](#)

Joystick functions


Grip options

Name	Image	Option	Switch functions quantity	Push buttons quantity	Roller/rocker quantity	Alternative configuration
HR1		Left hand and right hand grip	10	10	3	2 rollers or rockers with 4 push buttons
ST2		Ambidextrous grip	5	5	1	1 roller or rocker with 1 push button and 1 Operator Presence switch
PR2		Left hand and right hand grip	12	11	3	3 rollers or rockers with 3 push buttons and 1 Operator Presence switch
ST7		Ambidextrous grip	11	11	2	2 rollers or rockers with 2 push buttons and 1 Operator Presence switch
PR7		Left hand and right hand grip	8	7	3	3 rollers or rocker with 1 push button and 1 trigger switch


Joystick functions

Push button

Flat profile

View	Description	Data	Code number		
			Color	Use with all except for PWH	Use with PWH base only
	Action	Momentary	Black	B1A	B1H
	Type	Single pole, NO	Red	R1A	R1H
	Current rating	30 Vdc/50 mA	Yellow	Y1A	Y1H
	Connection in base	Use 1 function	Gray	G1A	G1H
	Mechanical life	1 million cycles	Green	L1A	L1H
	Operating force	1 to 2.5 N (100 to 250 g)	Blue	W1A	W1H
	Ingress protection, IP rating	IP 66	White	H1A	H1H
	Operating temperature	-30°C to 60°C (-22°F to 140°F)			

Dome shape

View	Description	Data	Code number		
			Color	Use with all except for PWH	Use with PWH base only
	Action	Momentary	Yellow	11A	11H
	Type	SPST-NO-DB	Black	21A	21H
	Current rating	30 Vdc/50 mA	Green	31A	31H
	Connection in base	Use 1 function	Red	41A	41H
	Mechanical life	1 million cycles	Blue	51A	51H
	Operating force	Nominal 3 N (306 g)	White	61A	61H
	Ingress protection, IP rating	IP 66			
	Operating temperature	-40°C to +85°C (-40°F to 185°F)			

Joystick functions

Roller

Roller—5mm (use only on the faceplate except for HR1, HP1, PR7, PP7 grips)


View	Description	Data	Code number	
			Use with all except for PWH	Use with PWH base only
	Action	Spring return to neutral	P1A S1A	P1H S1H
	Output	Max. voltage: 30 Vdc		
		Proportional signal: 25% - 50% - 75%		
		Impedance: 5 kΩ ±50%		
		Signal: 15 uA (1 mA peak)		
	Direction switches	30 Vdc/2 mA		
	Working angle	±42°		
	Mechanical life	3 million cycles		
	Ingress protection (IP) rating	IP 43		
Operating temperature	-30°C to 60°C (-22°F to 140°F)			

Roller—3mm (use only on the grip and HR1, HP1, PR7, PP7 faceplate)

View	Description	Data	Code number	
			Use with all except for PWH	Use with PWH base only
	Action	Spring return to neutral	U1A Q1A	U1H Q1H
	Output	Maximum voltage: 30 Vdc		
		Proportional signal: 25% - 50% - 75%		
		Impedance: 5 kΩ ±50%		
		Signal: 15 uA (1 mA peak)		
	Direction switches	30 Vdc/2 mA		
	Working angle	±42°		
	Mechanical life	3 million cycles		
	Ingress protection (IP) rating	IP 43		
Operating temperature	-30°C to 60°C (-22°F to 140°F)			


Joystick functions

Roller—proportional

View	Description	Data	Code number	
			Use with all except for PWH	Use with PWH base only
	Action	Proportional spring return to center ±40° mechanical travel	V1A	V1H
	Sensing	Hall effect		
	CAN electrical output	±0 to 1000 counts from center		
	Analog electrical output	0.5 to 4.5 Vdc (2.5 Vdc center)		
	Mechanical life	3 million cycles		
	Ingress protection (IP) rating	Electrical shield IP 66		
	Operating temperature	-30°C to 60°C (-22°F to 140°F)		


FNR

Black

View	Description	Data	Code number	
			Use with all except for PWH	Use with PWH base only
	Action	3-position maintained	F1A	F1H
	Type	Single pole, NC - NO - NC		
	Contact rating	30 Vdc/50 mA		
	Connection in base	Use 2 functions		
	Mechanical life	1 million cycles		
	Ingress protection, IP rating	IP 40		
	Operating temperature	-30°C to 60°C (-22°F to 140°F)		


Joystick functions

Red

View	Description	Data	Code number	
			Use with all except for PWH	Use with PWH base only
	Action	3-position maintained	K1A	K1H
	Type	Single pole, NC - NO - NC		
	Contact rating	30 Vdc/50 mA		
	Connection in base	Use 2 functions		
	Mechanical life	1 million cycles		
	Ingress protection, IP rating	IP 66		
	Operating temperature	-30°C to 60°C (-22°F to 140°F)		


Toggle switch

Rocker

View	Description	Data	Code number	
			Use with all except for PWH	Use with PWH base only
	Action	2-position maintained	T1A	T1H
	Type	Single pole, NO and NC output		
	Contact rating	30 Vdc/50 mA		
	Connection in base	Use 2 functions		
	Mechanical life	1 million cycles		
	Ingress protection, IP rating	IP 40		
	Operating temperature	-30°C to 60°C (-22°F to 140°F)		


Operator Presence switch

Operator Presence switch


View	Description	Data	Code number	
			Use with all except for PWH	Use with PWH base only
	Action	Momentary	O1A	O1H
	Type	Single pole, NO		
	Contact rating	10 mA, 12 Vdc resistive		
	Connection in base	Use 1 function		
	Mechanical life	1 million cycles		
	Ingress protection, IP rating	IP 66		
	Operating temperature	-40° C to +85° C (-40° F to 185° F)		

Joystick functions

Operator Presence switch (HR1, HP1 grip only)

View	Description	Data	Code number	
			Use with all except for PWH	Use with PWH base only
	Action	Momentary	O2A	O2H
	Type	Single pole, NO		
	Contact rating	10 mA, 12 Vdc resistive		
	Connection in base	Use 1 function		
	Mechanical life	1 million cycles		
	Ingress protection, IP rating	IP 66		
	Operating temperature	-40° C to +85° C (-40° F to 185° F)		

Operator Presence switch (PR7, PPR grip only)

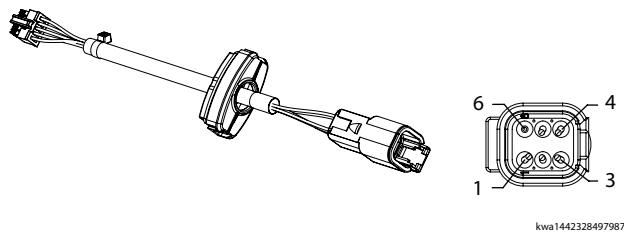
View	Description	Data	Code number	
			Use with all except for PWH	Use with PWH base only
	Action	Momentary	A1A (left) E1A (right)	A1H (left) E1H (right)
	Type	Single pole, NO		
	Contact rating	30 Vdc, 50 mA		
	Connection in base	Use 1 function		
	Mechanical life	1 million cycles		
	Ingress protection, IP rating	IP 66		
	Operating temperature	-40° C to 85° C (-40° F to 185° F)		

Connector options and cabling

One 6 pin connector

Used only with CAN base.

Cabling and pin location: One 6 pin DEUTSCH DTM04 connector



One 6 pin pinout

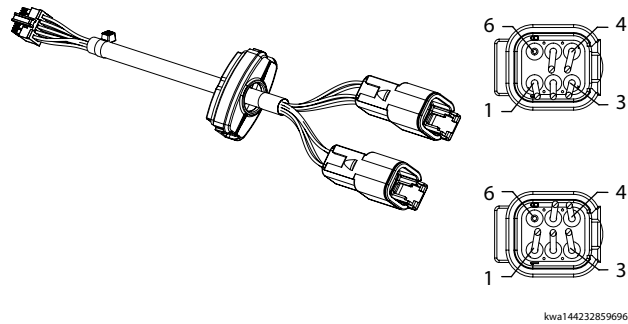
DEUTSCH DTM04 6 pin	Function
1	Ground
2	Power
3	CAN high
4	CAN low
5	CAN shield
6	NC

Connector options and cabling

Two 6 pin connectors

Used only in CAN base.

Cabling and pin location: Two 6 pin DEUTSCH DTM04 connectors



Two 6 pin pinout

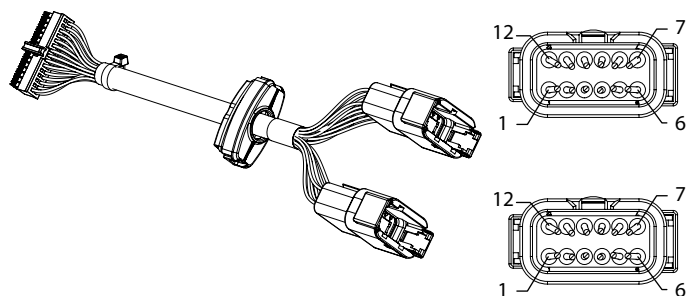
DEUTSCH DTM04 6 pin	DEUTSCH DTM04 6 pin	Function
1		Ground
2		Power
3		CAN high
4		CAN low
5		CAN shield
6		NC
	1	Ground
	2	Power
	3	CAN high
	4	CAN low
	5	CAN shield
	6	NC

Connector options and cabling

Two 12 pin connectors

Used only on CANalog, CAN+, PVE, Analog Cat 1, and Analog Cat 3 Standard base.

Cabling and pin location: Two 12 pin DEUTSCH DTM04 connectors



kwa1454870808461

Standard, 12 pin A pinout (Gray)

DEUTSCH DTM04 12 PIN	PVE Standard	CANalog	CAN+	Analog Cat 1	Analog Cat 3	PWM
1	GND	GND	GND	GND	GND_ANA1	GND 1
2	PWR	PWR	PWR	PWR_ANA	PWR_ANA1 (+5V only)	PWR 1
3	CAN high	CAN high	CAN high	Y1 (Prop 1)	Y1 (Prop 1)	CAN high
4	CAN low	CAN low	CAN low	X1 (Prop 2)	X1 (Prop 2)	CAN lo
5	CAN shield	CAN shield	CAN shield	Analog 3A	Analog 3A	CAN shield
6	Proportional X	NC	NC	Analog 4A	Analog 4A	GND 2
7	Proportional Y	Grip analog 3a	A/D 1	Button 1	Button 1	PWR 2
8	Proportional 3	Grip analog 3b	A/D 2	Button 2	Button 2	PWR 3
9	Push 7	Reference ground	Sensor ground	Button 3	Button 3	PWR 4
10	Push 8	5V reference	Sensor power	Button 4	Button 4	Not used
11	PVE power (neutral switch)	Grip analog 1a	A/D 3	PWR_ANA	PWR_ANA2 (+5V Only)	NC
12	PVE power feedback	Grip analog 1b	A/D	GND	GND_ANA2	NC

Standard, 12 pin B pinout (Black)

DEUTSCH DTM04 12 PIN	PVE Standard	CANalog	CAN+	Analog Cat 1	Analog Cat 3	PWM
1	Direction Xa	NC	Digital input 7	NC	NC	PWM X+
2	Direction Xb	NC	NC	NC	NC	PWM X-
3	Direction Ya	NC	NC	Y2	Y2	PWM Y+
4	Direction Yb	NC	NC	X2	X2	PWM Y-
5	Direction 3a/ Push 1	NC	NC	Analog 3B	Analog 3B	NC
6	Direction 3b/ Push 2	NC	NC	Analog 4B	Analog 4B	NC
7	Proportional 4	Grip analog 2a	Digital input 1	Button 5	Button 5	Dig Out 1
8	Direction 4a/ Push 3	Grip analog 2b	Digital input 2	Button 6	Button 6	Dig Out 2
9	Direction 4b/ Push 4	Y1	Digital input 3	Button 7	Button 7	Not used
10	Proportional 5	X1	Digital input 4	Button 8 / OPS	Button 8 / OPS	Not used
11	Direction 5a/ Push 5	Y2	Digital input 5	Analog 5A	Analog 5A	Not used
12	Direction 5b/ Push 6	X2	Digital input 6	Analog 5B	Analog 5B	Not used

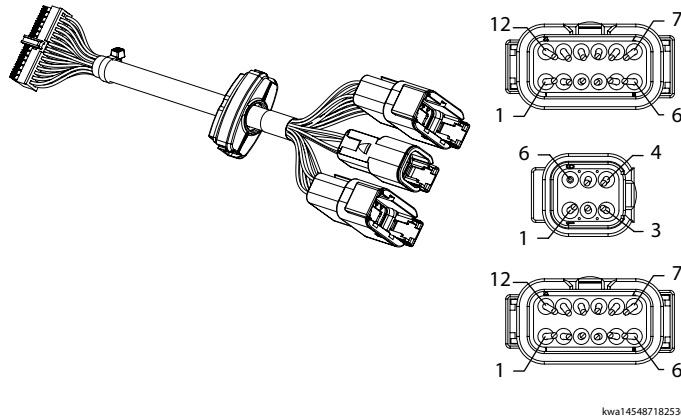
Connector options and cabling

When using PWM base, make sure that all Power and Ground pins have connections to avoid an over current occurrence from happening.

Two 12 pin and one 6 pin connectors

Used only on PVE Extended base.

Cabling and pin location: Two 12 pin and one 6 pin DEUTSCH DTM04 connectors



Extended, 12 pin A pinout (Gray)

DEUTSCH DTM04 12 PIN	PVE Extended	Analog Cat 1	Analog Cat 3
1	Ground	GND	GND_ANA1
2	Power	PWR_ANA	PWR_ANA1 (+5V only)
3	CAN high	Y1 (Prop 1)	Y1 (Prop 1)
4	CAN low	X1 (Prop 2)	X1 (Prop 2)
5	CAN shield	Analog 3A	Analog 3A
6	Proportional X	Analog 4A	Analog 4A
7	Proportional Y	Button 1	Button 1
8	Proportional 3	Button 2	Button 2
9	Push 7	Button 3	Button 3
10	Push 8	Button 4	Button 4
11	PVE power (neutral switch)	PWR_ANA	PWR_ANA2 (+5V Only)
12	PVE power feedback	GND	GND_ANA2

Extended, 12 pin B pinout (Black)

DEUTSCH DTM04 12 PIN	PVE Extended	Analog Cat 1	Analog Cat 3
1	Direction Xa	NC	NC
2	Direction Xb	NC	NC
3	Direction Ya	Y2	Y2
4	Direction Yb	X2	X2
5	Direction 3A/Push 1	Analog 3B	Analog 3B
6	Direction 3B/Push 2	Analog 4B	Analog 4B
7	Proportional 4	Button 5	Button 5
8	Direction 4A/Push 3	Button 6	Button 6
9	Direction 4B/Push 4	Button 7	Button 7
10	Proportional 5	Button 8 / OPS	Button 8 / OPS

Connector options and cabling

Extended, 12 pin B pinout (Black) (continued)

DEUTSCH DTM04 12 PIN	PVE Extended	Analog Cat 1	Analog Cat 3
11	Direction 5A/Push 5	Analog 5A	Analog 5A
12	Direction 5B/Push 6	Analog 5B	Analog 5B

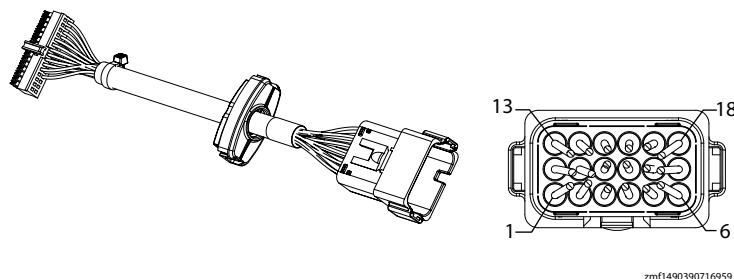
Extended, 6 pin pinout

DEUTSCH DTM04 6-pin	PVE	Analog Cat 1	Analog Cat 3
1	Power	Button 9	Button 9
2	Push 9	Button 10	Button 10
3	Push 10	Button 11	Button 11
4	Push 11	Button 12	Button 12
5	Push 12	open	open
6	NC	NC	NC

One 18 pin connector

Used only on CAN+ or CANalog base.

Cabling and pin location: One 18 pin DEUTSCH connector (DT16-18SB-K004)



18 pin pinout

DEUTSCH 18 pin	CAN+ function	CANalog function
1	Ground	Ground
2	Power	Power
3	CAN Hi	CAN Hi
4	CAN Lo	CAN Lo
5	CAN Shield	CAN Shield
6	Digital input 7	Not connected
7	Vref ground	Reference ground
8	Vref +5V	Reference +5V
9	Analog in 1	Grip analog 3a
10	Analog in 2	Grip analog 3b
11	Analog in 3	Grip analog 1a
12	Analog in 4	Grip analog 2a
13	Digital input 1	Grip analog 1b
14	Digital input 2	Grip analog 2b
15	Digital input 3	Proportional Y-axis 1
16	Digital input 4	Proportional X-axis 1

Connector options and cabling

18 pin pinout (continued)

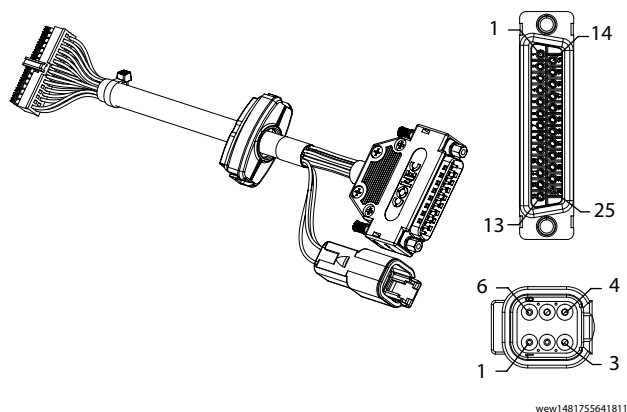
DEUTSCH 18 pin	CAN+ function	CANalog function
17	Digital input 5	Proportional Y-axis 2
18	Digital input 6	Proportional X-axis 2

Connector options and cabling

One 25 pin SUB-D and one 6 pin connectors

Used only on PVE base, with PP2, PR2, STT, and STP grips as Prof 1 replacements.

Cabling and pin location: One 25 pin SUB-D and one 6 pin DEUTSCH DTM04 connectors; Code number: 11173403-T



25 pin SUB-D pinout

25 pin SUB-D	Function
1	PVE power (neutral switch)
2	PVE power (neutral switch)
3	Power
4	Direction 5a/Push 5
5	Proportional 3
6	Direction 3a/Push 1
7	Proportional X
8	Proportional Y
9	Direction Ya
10	PVE Power feedback
11	Direction Xb
12	Push 8
13	Push 7
14	PVE power (neutral switch)
15	Power
16	Power
17	Direction 5b/ Push 6
18	Proportional 4
19	Direction 3b/Push 2
20	Direction 4a/Push 3
21	Direction 4b/Push 4
22	Ground
23	Direction Yb
24	Direction Xa
25	NC

Connector options and cabling

6 pin DEUTSCH DTM04 pinout

6 pin DEUTSCH DTM04	Function
1	NC
2	NC
3	CAN high
4	CAN low
5	CAN shield
6	NC

Mating connectors bag assemblies

Danfoss connector bag assemblies part numbers (Must be ordered separately from joystick)

Description	Danfoss part number
One 6 pin DEUTSCH connector	10101551
Two 6 pin DEUTSCH connectors	11177980
Two 12 pin DEUTSCH connectors (GRY/BLK)	10100945
Two 12 pin (GRY/BLK) and One 6 pin DEUTSCH connectors	11176538
One 18 pin DEUTSCH connector	11012648

DEUTSCH mating connector bag assemblies contents

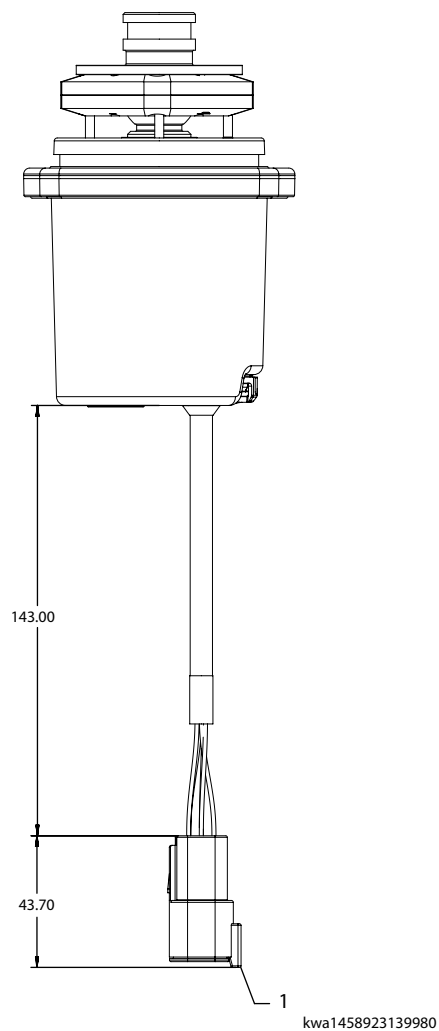
Description	6 pin module	12 pin module (GRY)	12 pin module (BLK)
Crimp tool	HDT-48-00	HDT-48-00	HDT-48-00
Contacts	0462-201-2031	0462-201-2031	0462-201-2031
Connector plug	DTM06-6S,GRY	DTMO6-12SA, GRY	DTMO6-12SB, BLK
Wedge	WM-6S	WM-12S	WM-12S
Strip length	3.96 to 5.54 mm (0.156 to 0.218 in)	3.96 to 5.54 mm (0.156 to 0.218 in)	3.96 to 5.54 mm (0.156 to 0.218 in)
Rear seal maximum insulation OD	3.05 mm (0.120 in)	3.05 mm (0.120 in)	3.05 mm (0.120 in)
Sealing plugs	0413-204-2005	0413-204-2005	0413-204-2005

Connector options and cabling

Cable assemblies

All cable assemblies for JS1-H are 185 mm from the bottom of the case to the end of the connector.

JS1-H cable length in millimeters



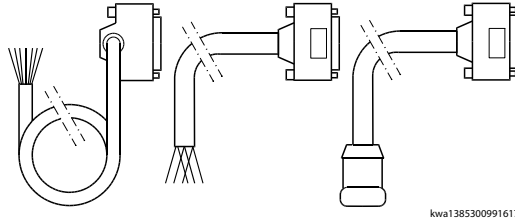
1. DEUTSCH DTM04 receptacle

Compatible mating cables available for different applications

Code no. 162B....	Length mm	Plug type	Type
6013	4000	Leads	Vertical SUB-D
6014	4000	Leads	Horizontal SUB-D
6015	500	Clipper	-
6016	230	TRIM TRIO	-
6017	230	Tabs	PVRE compatibility

Connector options and cabling

Cable assemblies - first is vertical view, followed by horizontal views



kwa1385300991617

Product configuration model code

The product configuration model code specifies particular features when ordering the JS1-H. The model code begins with the product family name and the remaining fields are filled in to configure the product with the desired features.

JS1-H base and grip model code fields

The configuration model code contains information relating to both base and grip features.

JS1-H Joystick product configuration model code

Family	Base						Grip												Other						
A	B	C	D	E	F1	F2	G	H1	H2	H3	H4	H5	H6	H7	H8	H9	H10	H11	H12	J1	J2	J3	J4	K	
JS1H																									

Product configuration model code

JS1-H Base model code

JS1-H Joystick product configuration model code

Family	Base						Grip														Other				
A	B	C	D	E	F1	F2	G	H1	H2	H3	H4	H5	H6	H7	H8	H9	H10	H11	H12	J1	J2	J3	J4	K	
JS1H																									

A—Product family

Code	Description
JS1H	Family name

B—Operational axis

Code	Description
NN	No base
XY	Bi-directional: X and Y-axis
NY	Uni-directional: Only Y-axis
XN	Uni-directional: Only X-axis
NF	Single Axis: Frictional Y-axis
XF	Bi-directional: X Spring Return, Y Frictional
FN	Single Axis: Frictional X-axis

C—Shaft position, sensing output

Code	Description
NNN	No base
NN2	No base, no connectors on wires
CJP	CAN J1939 with potentiometer
CJH	CAN J1939 with Hall effect
CPP	CANopen with potentiometer
CPH	CANopen with Hall effect
CSP	CAN Analog, J1939 with potentiometer
CSH	CAN Analog, J1939 with Hall effect
CTP	CAN Analog, Open with potentiometer
CTH	CAN Analog, Open with Hall effect
CLP	CAN+ J1939 with potentiometer
CLH	CAN+ J1939 with Hall effect
CMP	CAN+ Open with potentiometer
CMH	CAN+ Open with Hall effect
PSP	PVE Standard base with potentiometer
PSH	PVE Standard base with Hall effect
PEH	PVE Extended base with Hall effect
PEP	PVE Extended base with potentiometer
PBH	Analog Category 1 with Hall effect
PRH	Analog Category 3 with Hall effect
PWH	PLUS+1® GUIDE Programmable PWM, Hall effect

Product configuration model code

D—Centering spring

Code	Description
N	No base
S	Standard spring force
H	Heavy spring force
A	Friction 0.8 Nm, Center 1.5 Nm
B	Friction 0.8 Nm, Center 2.0 Nm
C	Friction 1.6 Nm, Center 3.0 Nm

The following table only applies when using XF base.

Code	Description
E	Friction 0.8 Nm, Center 1.5 Nm, Standard spring force
J	Friction 0.8 Nm, Center 1.5 Nm, Heavy spring force

E—CAN

Code	Description
NNN	Analog (base and/or grip)
C10	Node ID 10, 250kbs
C13	Node ID 13, 250kbs
C16	Node ID 16, 250kbs
C33	Node ID 33, 250kbs
C34	Node ID 34, 250kbs
C35	Node ID 35, 250kbs
C36	Node ID 36, 250kbs
D33	Node ID 33, 500kbs
D34	Node ID 34, 500kbs
D35	Node ID 35, 500kbs
D36	Node ID 36, 500kbs
D90	Node ID 90, 500kbs
D93	Node ID 93, 500kbs
D96	Node ID 96, 500kbs
D9C	Node ID 9C, 500kbs
C90	Node ID 90, 250kbs
C93	Node ID 93, 250kbs
C96	Node ID 96, 250kbs
C9C	Node ID 9C, 250kbs
B10	Node ID 10, 125kbs
B13	Node ID 13, 125kbs
B16	Node ID 16, 125kbs
B1C	Node ID 1C, 125kbs
C1C	Node ID 1C, 250kbs
C71	Replace of NodeID: N71
C72	Replace of NodeID: N72

Product configuration model code

F1—Mounting

Code	Description
N	No base
T	Top mount

Product configuration model code

Grip model code

JS1-H Joystick product configuration model code

Family	Base						Grip														Other				
A	B	C	D	E	F1	F2	G	H1	H2	H3	H4	H5	H6	H7	H8	H9	H10	H11	H12	J1	J2	J3	J4	K	
JS1H																									

F2—Grip type

Code	Description
HR1	Horizontal grip
HP1	IP 66 version of HR1
ST2	Medium straight grip
SP2	IP 66 version of ST2
PR2	Prof1 version 2 grip
PP2	IP 66 version of PR2
ST7	Large straight grip
SP7	IP 66 version of ST7
PR7	Professional JS7000 grip
PP7	IP 66 version PR7

Select the grip that meets the needs of your application.

G—Left or right hand or ambidextrous

Code	Description
L	Left hand grip
R	Right hand grip
U	Ambidextrous grip (accommodates left and right hand)

Select the grip that meets the needs of your application.

H1—Defining of front plate

Code		Description
Use with all except bases except for PWH	Use with PWH base only	
NNN	NNN	No button
B1A	B1H	Black push button
R1A	R1H	Red push button
Y1A	Y1H	Yellow push button
G1A	G1H	Gray push button
L1A	L1H	Green push button
W1A	W1H	Blue push button
H1A	H1H	White push button
11A	11H	Yellow push button - Dome Shape
21A	21H	Black push button - Dome Shape
31A	31H	Green push button - Dome Shape
41A	41H	Red push button - Dome Shape
51A	51H	Blue push button - Dome Shape
61A	61H	White push button - Dome Shape
P1A	P1H	Roller, [position 1-2]

Product configuration model code

H1—Defining of front plate (continued)

Code		Description
Use with all except bases except for PWH	Use with PWH base only	
S1A	S1H	Roller v-Lead, [position 1-2]
V1A	V1H	IP 66 Roller, [position 1-2]
F1A	F1H	FNR [Black], [position 1-2]
T1A	T1H	Toggle [Rocker], [position 1-2]
K1A	K1H	FNR [Red], [position 1-2]

H2—Defining of front plate

Code		Description
Use with all except bases except for PWH	Use with PWH base only	
NNN	NNN	No button
B1A	B1H	Black push button
R1A	R1H	Red push button
Y1A	Y1H	Yellow push button
G1A	G1H	Gray push button
L1A	L1H	Green push button
W1A	W1H	Blue push button
H1A	H1H	White push button
11A	11H	Yellow push button - Dome Shape
21A	21H	Black push button - Dome Shape
31A	31H	Green push button - Dome Shape
41A	41H	Red push button - Dome Shape
51A	51H	Blue push button - Dome Shape
61A	61H	White push button - Dome Shape
P1A	P1H	Roller, [position 2-3]
S1A	S1H	Roller v-Lead, [position 2-3]
V1A	V1H	IP 66 Roller, [position 2-3]
F1A	F1H	FNR [Black], [position 2-3]
T1A	T1H	Toggle [Black], [position 2-3]
K1A	K1H	FNR [Red], [position 2-3]
+++	+++	Customer refer to ST2—Faceplate options on page 15 and ST7—Faceplate options on page 22

H3—Defining of front plate

Code		Description
Use with all except bases except for PWH	Use with PWH base only	
NNN	NNN	No button
B1A	B1H	Black push button
R1A	R1H	Red push button
Y1A	Y1H	Yellow push button
G1A	G1H	Gray push button

Product configuration model code

H3—Defining of front plate (continued)

Code		Description
Use with all except bases except for PWH	Use with PWH base only	
L1A	L1H	Green push button
W1A	W1H	Blue push button
H1A	H1H	White push button
11A	11H	Yellow push button - Dome Shape
21A	21H	Black push button - Dome Shape
31A	31H	Green push button - Dome Shape
41A	41H	Red push button - Dome Shape
51A	51H	Blue push button - Dome Shape
61A	61H	White push button - Dome Shape
P1A	P1H	Roller, [position 3-4]
S1A	S1H	Roller v-Lead, [position 3-4]
V1A	V1H	IP 66 Roller, [position 3-4]
F1A	F1H	FNR [Black], [position 3-4]
T1A	T1H	Toggle [Black], [position 3-4]
K1A	K1H	FNR [Red], [position 3-4]
+++	+++	Customer refer to ST2—Faceplate options on page 15 and ST7—Faceplate options on page 22

H4—Defining of front plate

Code		Description
Use with all except bases except for PWH	Use with PWH base only	
NNN	NNN	No button
B1A	B1H	Black push button
R1A	R1H	Red push button
Y1A	Y1H	Yellow push button
G1A	G1H	Gray push button
L1A	L1H	Green push button
W1A	W1H	Blue push button
H1A	H1H	White push button
11A	11H	Yellow push button - Dome Shape
21A	21H	Black push button - Dome Shape
31A	31H	Green push button - Dome Shape
41A	41H	Red push button - Dome Shape
51A	51H	Blue push button - Dome Shape
61A	61H	White push button - Dome Shape
P1A	P1H	Roller, [position 4-1]
S1A	S1H	Roller v-Lead, [position 4-1]
V1A	V1H	IP 66 Roller, [position 4-1]
F1A	F1H	FNR [Black], [position 4-1]
T1A	T1H	Toggle [Black], [position 4-1]

Product configuration model code

H4—Defining of front plate (continued)

Code		Description
Use with all except bases except for PWH	Use with PWH base only	
K1A	K1H	FNR [Red], [position 4-1]
+++	+++	Customer refer to ST2—Faceplate options on page 15 and ST7—Faceplate options on page 22

H5—Defining of front plate

Code		Description
Use with all except bases except for PWH	Use with PWH base only	
NNN	NNN	No button
B1A	B1H	Black push button
R1A	R1H	Red push button
Y1A	Y1H	Yellow push button
G1A	G1H	Gray push button
L1A	L1H	Green push button
W1A	W1H	Blue push button
H1A	H1H	White push button
11A	11H	Yellow push button - Dome Shape
21A	21H	Black push button - Dome Shape
31A	31H	Green push button - Dome Shape
41A	41H	Red push button - Dome Shape
51A	51H	Blue push button - Dome Shape
61A	61H	White push button - Dome Shape
+++	+++	Customer refer to ST2—Faceplate options on page 15 and ST7—Faceplate options on page 22

H6—Defining grip side

Code		Description
Use with all except bases except for PWH	Use with PWH base only	
NNN	NNN	No button
B1A	B1H	Black push button
R1A	R1H	Red push button
Y1A	Y1H	Yellow push button
G1A	G1H	Gray push button
L1A	L1H	Green push button
W1A	W1H	Blue push button
H1A	H1H	White push button
11A	11H	Yellow push button - Dome Shape
21A	21H	Black push button - Dome Shape
31A	31H	Green push button - Dome Shape
41A	41H	Red push button - Dome Shape
51A	51H	Blue push button - Dome Shape

Product configuration model code

H6—Defining grip side (continued)

Code		Description
Use with all except bases except for PWH	Use with PWH base only	
61A	61H	White push button - Dome Shape
P1A	P1H	Roller, [position 6-12]
S1A	S1H	Roller v-Lead, [position 6-12]
V1A	V1H	IP 66 Roller, [position 6-12]
F1A	F1H	FNR [Black], [position 6-12]
T1A	T1H	Toggle [Black], [position 6-12]
K1A	K1H	FNR [Red], [position 6-12]
+++	+++	Customer refer to ST2—Faceplate options on page 15 and ST7—Faceplate options on page 22

H7—Defining grip side

Code		Description
Use with all except bases except for PWH	Use with PWH base only	
NNN	NNN	No button
B1A	B	Black push button
R1A	R1H	Red push button
Y1A	Y1H	Yellow push button
G1A	G1H	Gray push button
L1A	L1H	Green push button
W1A	W1H	Blue push button
H1A	H1H	White push button
11A	11H	Yellow push button - Dome Shape
21A	21H	Black push button - Dome Shape
31A	31H	Green push button - Dome Shape
41A	41H	Red push button - Dome Shape
51A	51H	Blue push button - Dome Shape
61A	61H	White push button - Dome Shape
D1A	D1H	Square Push Button - Operator Presence Switch
O1A	O1H	Operator Presence Switch (PR2 and PP2 grips only)
U1A	U1H	Roller, [position 7-8]
Q1A	Q1H	Roller v-Lead, [position 7-8]
V1A	V1H	IP 66 Roller, [position 7-8]

H8—Defining grip side

Code		Description
Use with all except bases except for PWH	Use with PWH base only	
NNN	NNN	No button
B1A	B1H	Black push button
R1A	R1H	Red push button
Y1A	Y1H	Yellow push button

Product configuration model code

H8—Defining grip side (continued)

Code		Description
Use with all except bases except for PWH	Use with PWH base only	
G1A	G1H	Gray push button
L1A	L1H	Green push button
W1A	W1H	Blue push button
H1A	H1H	White push button
11A	11H	Yellow push button - Dome Shape
21A	21H	Black push button - Dome Shape
31A	31H	Green push button - Dome Shape
41A	41H	Red push button - Dome Shape
51A	51H	Blue push button - Dome Shape
61A	61H	White push button - Dome Shape
O1A	O1H	Operator Presence Switch (ST7, SP7, ST2, and SP2 grips only)
O2A	O2H	Operator Presence Switch(HR1 and HP1 grips only)
A1A	A1H	Operator Presence Switch (left hand PR7, PP7 grips only)
E1A	E1H	Operator Presence Switch (right hand PR7, PP7 grips only)

H9—Defining of back side

Code		Description
Use with all except bases except for PWH	Use with PWH base only	
NNN	NNN	No button
B1A	B1H	Black push button
R1A	R1H	Red push button
Y1A	Y1H	Yellow push button
G1A	G1H	Gray push button
L1A	L1H	Green push button
W1A	W1H	Blue push button
H1A	H1H	White push button
11A	11H	Yellow push button - Dome Shape
21A	21H	Black push button - Dome Shape
31A	31H	Green push button - Dome Shape
41A	41H	Red push button - Dome Shape
51A	51H	Blue push button - Dome Shape
61A	61H	White push button - Dome Shape
K1A	K1H	FNR [Red], [position 9-10]

H10—Defining grip side

Code		Description
Use with all except bases except for PWH	Use with PWH base only	
NNN	NNN	No button
B1A	B1H	Black push button

Product configuration model code

H10—Defining grip side (continued)

Code		Description
Use with all except bases except for PWH	Use with PWH base only	
R1A	R1H	Red push button
Y1A	Y1H	Yellow push button
G1A	G1H	Gray push button
L1A	L1H	Green push button
W1A	W1H	Blue push button
H1A	H1H	White push button
11A	11H	Yellow push button - Dome Shape
21A	21H	Black push button - Dome Shape
31A	31H	Green push button - Dome Shape
41A	41H	Red push button - Dome Shape
51A	51H	Blue push button - Dome Shape
61A	61H	White push button - Dome Shape
F1A	F1H	FNR [Black], [position 10-11]
T1A	T1H	Toggle [Black], [position 10-11]

H11—Defining grip side

Code		Description
Use with all except bases except for PWH	Use with PWH base only	
NNN	NNN	No button
B1A	B1H	Black push button
R1A	R1H	Red push button
Y1A	Y1H	Yellow push button
G1A	G1H	Gray push button
L1A	L1H	Green push button
W1A	W1H	Blue push button
H1A	H1H	White push button
11A	11H	Yellow push button - Dome Shape
21A	21H	Black push button - Dome Shape
31A	31H	Green push button - Dome Shape
41A	41H	Red push button - Dome Shape
51A	51H	Blue push button - Dome Shape
61A	61H	White push button - Dome Shape

H12—Defining grip side

Code		Description
Use with all except bases except for PWH	Use with PWH base only	
NNN	NNN	No button
B1A	B1H	Black push button
R1A	R1H	Red push button
Y1A	Y1H	Yellow push button

Product configuration model code

H12—Defining grip side (continued)

Code		Description
Use with all except bases except for PWH	Use with PWH base only	
G1A	G1H	Gray push button
L1A	L1H	Green push button
W1A	W1H	Blue push button
H1A	H1H	White push button
11A	11H	Yellow push button - Dome Shape
21A	21H	Black push button - Dome Shape
31A	31H	Green push button - Dome Shape
41A	41H	Red push button - Dome Shape
51A	51H	Blue push button - Dome Shape
61A	61H	White push button - Dome Shape
K1A	K1H	FNR [Red], [position 12]
%%%	%%%	Assigned by factory when H10 has no restrictions for use. (ST7, SP7 grips only)

J1—Grip color

Code	Description
N	No grip
G	HR1 and PR7 grip
B	ST2, ST7 and PR2 grip

J2—Color band

Code	Description
N	No color band
Y	Yellow color band
B	Black color band
R	Red color band

Product configuration model code

Other model code

JS1-H Joystick product configuration model code

Family	Base						Grip														Other				
A	B	C	D	E	F1	F2	G	H1	H2	H3	H4	H5	H6	H7	H8	H9	H10	H11	H12	J1	J2	J3	J4	K	
JS1H																									

J3—Cable

Code	Description
N	No cable
B	CAN+ cable with 1 x 12 pin DEUTSCH connector
G	CAN cable with 1 x 6 pin DEUTSCH connector
H	CAN cable with 2 x 6 pin DEUTSCH connector
J	CANalog cable with 18 pin DEUTSCH connector
L	PVE cable with 12+12+6 pin DEUTSCH connector
K	PVE cable with 12+12 pin DEUTSCH connector
T	PVE cable with SUB-D 25 + 6 pin DEUTSCH connector
Q	CAN+ cable with 18 pin DEUTSCH connector
W	PWM cable with 12+12 pin DEUTSCH connector

J4—Kit and extension cable

Code	Description
N	No kit
B	Adapter Plate for JS7000
C	JS6000 bottom mount adapter

K—Software or settings

Code	Description
NN	No software or settings
J6	Used by factory to designate reverse roller operation on JS6000 replacements with horizontal rollers

Product installation

Joystick safety critical functions

For a system to operate safely it must be able to differentiate between commanded and uncommanded inputs. Take steps to detect and manage joystick and system failures that may cause an erroneous output.

For safety critical functions Danfoss recommends you use an independent momentary action system enable switch. You can incorporate this switch into the joystick as an operator presence switch or can be a separate foot or hand operated momentary switch. Disable all joystick functions that the joystick controls when this switch is released.

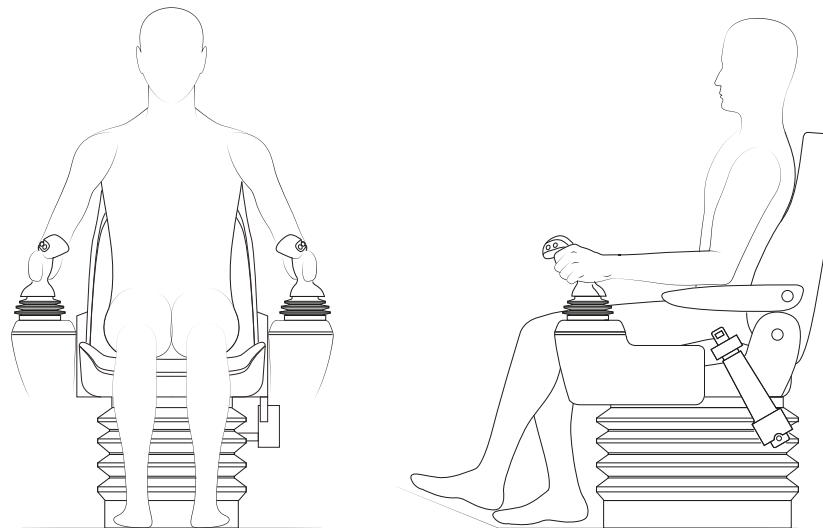
Ensure the control system looks for the appropriate system enable switch input before the joystick is displaced from its neutral position. Enable functions only after receiving this input.

Applications using CAN joysticks should continuously monitor for the presence of the CAN messages on periodic basis. Messages are to be checked frequently enough for the system or operator to react if the CAN messages lose priority or are no longer received.

JS1 Heavy Duty Joystick critical mounting

JS1 Heavy Duty Joysticks are intended to be mounted in an upright position. Failure to mount properly could result in erroneous **Out of Neutral** signals.

JS1-H mounted in upright position



Machine wiring guidelines

Warning

Unintended movement of the machine or mechanism may cause injury to the technician or bystanders. Improperly protected power input lines against over current conditions may cause damage to the hardware. Properly protect all power input lines against over-current conditions. To protect against unintended movement, secure the machine.

Caution

Unused pins on mating connectors may cause intermittent product performance or premature failure. Plug all pins on mating connectors.

Product installation

- Protect wires from mechanical abuse, run wires in flexible metal or plastic conduits.
- Use 85° C (185° F) wire with abrasion resistant insulation and 105° C (221° F) wire should be considered near hot surfaces.
- Use a wire size that is appropriate for the module connector.
- Separate high current wires such as solenoids, lights, alternators or fuel pumps from sensor and other noise-sensitive input wires.
- Run wires along the inside of, or close to, metal machine surfaces where possible, this simulates a shield which will minimize the effects of EMI/RFI radiation.
- Do not run wires near sharp metal corners, consider running wires through a grommet when rounding a corner.
- Do not run wires near hot machine members.
- Provide strain relief for all wires.
- Avoid running wires near moving or vibrating components.
- Avoid long, unsupported wire spans.
- Ground electronic modules to a dedicated conductor of sufficient size that is connected to the battery (-).
- Power the sensors and valve drive circuits by their dedicated wired power sources and ground returns.
- Twist sensor lines about one turn every 10 cm (4 in).
- Use wire harness anchors that will allow wires to float with respect to the machine rather than rigid anchors.

Appendix: CAN J1939 protocol

[Joysticks CAN J1939 protocol option](#) on page 77

[SAE J1939 basic joystick message](#) on page 78

[SAE J1939 extended joystick message](#) on page 83

[SAE J1939 error \(DM1\) messages](#) on page 85

Appendix: CAN J1939 protocol

Joysticks CAN J1939 protocol option

Joysticks CAN J1939 protocol option designated as model code CAN and broadcast two J1939 messages to communicate the device information. The two messages are:

- Basic Joystick Message 1 (BJM1)
- Extended Joystick Message (EJM1)

Appendix: CAN J1939 protocol

SAE J1939 basic joystick message

The JS1-H joystick uses the SAE J1939 basic joystick message to transfer information about the measured status of the X-axis and Y-axis of a joystick, the state of the switches on the joystick grip, and the state of external to the joystick digital inputs.

Basic joystick message structure

Basic message number	Priority	Base parameter Group number (PGN)		Protocol Data Unit (PDU) format		PDU specific		Source address		Data field
		Dec	hex	Dec	hex	Dec	hex	Dec	hex	
1	3	64982	FDD6	253	FD	214	D6	*	*	8 bytes
3	3	64986	FDDA	253	FD	218	DA	*	*	8 bytes

* Depends on position specified in master model code.

- Message transmission rate: 20 ms
- CAN bus baud rate: 250kbps

The resulting SAE J1939 basic joystick message PGN on the CAN bus is:

0xCFDD6 *_* or 0xCFDDA *_*

* = joystick source address (hex)

Data field

The data field contains the joystick's output information. SAE J1939 data fields contain 8 bytes of data.

Information in the data field

Byte#	0								1								2 and so on							
Bit#	1	2	3	4	5	6	7	8	1	2	3	4	5	6	7	8	1	2	3	4	5	6	7	8

Appendix: CAN J1939 protocol

JS1-H Basic joystick message data field descriptions

Basic joystick message parameters and data field locations

Start position (byte/bit)	Length (bits)	Parameter name
0/1	2	Joystick X-axis neutral position status
0/3	2	Joystick X-axis lever left negative position status
0/5	2	Joystick X-axis lever right positive position status
0/7 through 1/1-8	10	Joystick X-axis position (Byte 0 Bit 7 is LSB. Byte 1 Bit 8 is MSB)
2/1	2	Joystick Y-axis neutral position status
2/3	2	Joystick Y-axis lever back negative position
2/5	2	Joystick Y-axis lever forward positive position
2/7 through 3/1-8	10	Joystick Y-axis position (Byte 2 Bit 7 is LSB. Byte 3 Bit 8 is MSB)
4/5	2	Joystick Y-axis detent position status
4/7	2	Joystick X-axis detent position status
5/1	2	Grip button 4 pressed status
5/3	2	Grip button 3 pressed status
5/5	2	Grip button 2 pressed status
5/7	2	Grip button 1 pressed status
6/1	2	Grip button 8 pressed status
6/3	2	Grip button 7 pressed status
6/5	2	Grip button 6 pressed status
6/7	2	Grip button 5 pressed status
7/1	2	Grip button 12 pressed status
7/3	2	Grip button 11 pressed status
7/5	2	Grip button 10 presses status
7/7	2	Grip button 9 pressed status

Data field example 1

Byte	0							
Bit	8	7	6	5	4	3	2	1
	The 2 LSB* of X-axis position status		X-axis lever right positive status		X-axis lever left negative position status		X-axis neutral position status	

* Least Significant Bit.

Data field example 2

Byte	1							
Bit	8	7	6	5	4	3	2	1
	MSB* X-axis position							

* Most Significant Bit.

Appendix: CAN J1939 protocol

Data field example 3

Byte	2							
Bit	8	7	6	5	4	3	2	1
	The 2 LSB* of X-axis position status		X-axis lever forward positive status		Y-axis lever back negative position status		Y-axis neutral position status	

* Least Significant Bit.

Joystick X-axis neutral position status

Reports when the current joystick position is in the neutral position for the X-axis of travel.

Information in the data field

Bit status	Remarks
00	Not in neutral position
01	In neutral position
10	Error indicator
11	Not available

Joystick X-axis handle left negative position status

Reports when the current joystick position is on the negative travel side (back, left, counterclockwise, down) relative to the neutral position for the X-axis.

Information in the Data Field

Bit status	Remarks
00	Not on negative side of neutral
01	On negative side of neutral
10	Error indicator
11	Not available

Joystick X-axis handle right positive position status

Reports when the current joystick position is on the positive travel side (forward, right, clockwise, up) relative to the neutral position for the X-axis.

Information in the data field

Bit status	Remarks
00	Not on positive side of neutral
01	On positive side of neutral
10	Error indicator
11	Not available

Joystick X-axis position status

This is the position of the joystick in the relative motion of travel from the neutral position. The position value of 0 is always neutral. The output range of the joystick handle at the end of travel is factory set according to the option specified in the electrical interface options section of the master model code.

[The master model code specifies that the full-scale output at the end of each linear zone will be 1000 counts.](#)

Appendix: CAN J1939 protocol

Warning

Potential uncommanded machine movement. Per the SAE J1939-71 standard:

- if the joystick internal diagnostics detect a shaft position measurement error, the joystick output will be set to a value of 1022 counts regardless of shaft position.
- if a specific joystick axis is not available, the basic joystick message for the unavailable axis will indicate an output value of 1023 counts.

Ensure application software recognizes these conditions to avoid the possibility of unintended machine motion.

Joystick Y-axis neutral position status

Reports when the current joystick position is in the neutral position for the Y-axis of travel.

Information in the data field

Bit status	Remarks
00	Not in neutral position
01	In neutral position
10	Error indicator
11	Not available

Joystick Y-axis handle back negative position status

Reports when the current joystick position is on the negative travel side (back, left, counterclockwise, down) relative to the neutral position for the Y-axis.

Information in the data field

Bit status	Remarks
00	Not on negative side of neutral
01	On negative side of neutral
10	Error indicator
11	Not available

Joystick Y-axis handle forward positive position status

Reports when the current joystick position is on the positive travel side (forward, right, clockwise, up) relative to the neutral position for the Y-axis.

Information in the data field

Bit status	Remarks
00	Not on positive side of neutral
01	On positive side of neutral
10	Error indicator
11	Not available

Joystick Y-axis position status

This is the position of the joystick in the relative motion of travel from the neutral position. The position value of 0 is always neutral. The output range of the joystick handle at the end of travel is factory set according to the option specified in the electrical interface options section of the master model code.

Appendix: CAN J1939 protocol

The master model code specifies that the full-scale output at the end of each linear zone will be 1000 counts.

 Warning

Potential uncommanded machine movement. Per the SAE J1939-71 standard:

- if the joystick internal diagnostics detect a shaft position measurement error, the joystick output will be set to a value of 1022 counts regardless of shaft position.
- if a specific joystick axis is not available, the basic joystick message for the unavailable axis will indicate an output value of 1023 counts.

Ensure application software recognizes these conditions to avoid the possibility of unintended machine motion.

Joystick button 1-8 pressed status

Joystick button 1-8 pressed status

Bit status	Remarks
00	Button not pressed
01	Button pressed
10	Error indicator
11	Not available (no button installed)

Appendix: CAN J1939 protocol

SAE J1939 extended joystick message

The JS1-H joystick uses the SAE J1939 extended joystick message to transfer information about the measured status of up to 3 additional proportional input functions on the joystick grip, and external-to-the-joystick analog inputs. The joystick base X and Y-axis information is available in the basic joystick message.

Extended joystick message structure

Message number	Priority	Base PGN		PDU format		PDU specific		Source address		Data field
		Dec	hex	Dec	hex	Dec	hex	Dec	hex	
1	3	64983	FDD7	253	FD	215	D7	The source address depends on position specified in master model code.		8 bytes
3	3	64987	FDDB	253	FD	219	DB	The source address depends on position specified in master model code.		8 bytes

Message transmission rate: 20 ms

CAN bus baud rate: 250kbps

The resulting SAE J1939 extended joystick message PGN on the CAN bus is:

0xCFDD7 * _ * or 0xCFDDB * _ *

* = joystick source address (hex)

Extended joystick message parameters and data field descriptions

Extended joystick message parameters and data field locations

Start position (Byte/Bit)	Length (Bits)	Parameter name
0/1	2	Grip X-axis neutral position status
0/3	2	Grip X-axis lever left negative position status
0/5	2	Grip X-axis lever right positive position status
0/7 through 1/1-8	10	Grip X-axis position
2/1	2	Grip Y-axis neutral position status
2/3	2	Grip Y-axis lever back negative position
2/5	2	Grip Y-axis lever forward positive position
2/7 through 3/1-8	10	Grip Y-axis position
6/5	2	Grip Y-axis detent position status-not available
6/7	2	Grip X-axis detent position status-not available

Data field descriptions and output ranges for extended joystick messages are similar to those for base X-axis and Y-axis basic joystick messages.

Grip proportional input naming convention

Proportional input location	Extended joystick message designation
Horizontal orientation, top	X-axis
Horizontal orientation, bottom	Y-axis

Appendix: CAN J1939 protocol

Grip proportional input naming convention (continued)

Proportional input location	Extended joystick message designation
Vertical orientation, left side	X-axis
Vertical orientation, right side	Y-axis

Appendix: CAN J1939 protocol

SAE J1939 error (DM1) messages

SAE J1939 DM1 error messages are supported. Suspect Parameter Number (SPN) and Failure Mode Identifier (FMI) information are in the following tables.

Failure: Voltage too high

Message	Axis	SPN	FMI
BJM1	X	2660	3
BJM1	Y	2661	3
BJM1	Grip X	2662	3
BJM1	Grip Y	2663	3
BJM1	Grip Theta	2664	3

Failure: Voltage too low

Message	Axis	SPN	FMI
BJM1	X	2660	4
BJM1	Y	2661	4
BJM1	Grip X	2662	4
BJM1	Grip Y	2663	4
BJM1	Grip Theta	2664	4

Failure: Input not calibrated

Message	Axis	SPN	FMI
BJM1	X	2660	13
BJM1	Y	2661	13
BJM1	Grip X	2662	13
BJM1	Grip Y	2663	13
BJM1	Grip Theta	2664	13

Failure: Redundant input failure

Message	Axis	SPN	FMI
BJM1	X	2660	14
BJM1	Y	2661	14
BJM1	Grip X	2662	14
BJM1	Grip Y	2663	14
BJM1	Grip Theta	2664	14

SAE J1939 dynamic addressing is not supported, since the joystick source addresses are hard-coded (static). However, there is SAE J1939 address claiming protocol compliance. In the unlikely event another node on the SAE J1939 bus claims an identical source address to the joystick, the joystick may cease communication on the bus, depending on the message priority on the other node.

Appendix: CAN+ and CANopen protocol

[CANopen Object Dictionary for JS1-H joysticks](#) on page 87

[Parameter/variable index - JS1-H CAN, JS1-H CANalog](#) on page 88

[Parameter/variable index - JS1-H CAN+](#) on page 100

[Error handling](#) on page 112

Appendix: CAN+ and CANopen protocol

CANopen Object Dictionary for JS1-H joysticks

To access the CANopen Object Dictionary go to <https://www.danfoss.com/en/products/electronic-controls/dps/plus1-joysticks-and-pedals/>, then under Download find CANopen EDS under the JS1-H.

In order to access an Entry within an Object, the Service Data Object (SDO) is used. The Initiate SDO Download/Upload protocol and the Upload SDO Segment protocol (used when data type is VISIBLE_STRING) are supported. Each Object has an Index and a Name. For each Entry within an Object there is a Sub-Index followed by a Name and a Description (if applicable).

The different Data types of an Entry can be as follows:

- U32 (UNSIGNED32), U16 (UNSIGNED16) or U8 (UNSIGNED8)
- S32 (INTEGER32), S16 (INTEGER16) or S8 (INTEGER8)
- STR (VISIBLE_STRING)
- NEUTRAL_STATE (2 bit state value)

The Access of an Entry can be as follows:

- ro (Read Only)
- rw (Read Write)
- wo (Write Only)
- const

The minimum and maximum value of an Entry is also specified where applicable. This does not mean that there is a check within the joystick that the written value is within the value range, for example, the User is responsible to write a value within the value range. It should also be observed that the Default value of an Entry may not be true for all applications. The Unit/Scale gives either the unit of the value and/or the scaling used where applicable.

CANopen Baud Rate and Node ID setting

Baud rate and Node ID may be set using the Danfoss PLUS+1® Service Tool. Additionally, the parameters can be set using the CANopen LSS protocol.

CiA® 305: Layer Setting Services (LSS)

LSS distinguishes between an LSS master (typically residing in the host controller) and the LSS slaves. LSS enables the LSS master to modify the LSS slaves' CANopen node-ID and to switch the entire network from one data rate to another. LSS utilizes exactly two CAN frames. The CAN data frame 7E5h carries the command from the LSS master to one or several LSS slaves. The CAN frame 7E4h is used to provide the response(s) to the LSS master. LSS is specified in the document CiA 305.

Appendix: CAN+ and CANopen protocol

Parameter/variable index - JS1-H CAN, JS1-H CANalog

40h Device type

Sub-index	Name	Description	Data type	Access	Minimum	Maximum	Default	Unit/Scale
0	NEUTRAL_ST ATE	2-bit Proportional Axis (Neutral State) data type. 0x00 = Neutral 0x01 = Out Of Neutral 0x02 = Error 0x03 = Not Available	U32	ro	-	-	-	-

1000h Device type

Sub-index	Name	Description	Data type	Access	Minimum	Maximum	Default	Unit/Scale
0	Device Type	01050191h: Joystick without digital outputs	U32	const	-	-	See description	-

1001h Device register

Sub-index	Name	Description	Data type	Access	Minimum	Maximum	Default	Unit/Scale
0	Error Register	Bit 0 (Generic): 1 in case of an unknown error Bit 1 (Current): Always zero Bit 2 (Voltage): 1 in case of a voltage to high or low Bit 3 (Temperature): Always zero Bit 4 (Communication Error): Always zero Bit 5 (Device Profile Specific): Always zero Bit 6 (Reserved): Always zero Bit 7 (Manufacture-Specific): 1 in case of an IIC grip communication error, or a calibration error	U8	ro	-	-	-	-

1003h Error log: Code

Sub-index	Name	Description	Data type	Access	Minimum	Maximum	Default	Unit/Scale
0h	Log size	The entry at sub-index 0 contains the number of actual errors that are recorded starting at sub- index 1. Writing a zero to sub-index 0 clears the error log. Writing a value other than zero to sub-index 0 will result in an abort message.	U8	rw	0	24	-	-
1h	Error 1 Code	Every new error is stored at sub-index 1, the older ones move down the list.	U32	ro	0	2 ³² -1	-	-
2h	Error 2 Code		U32	ro	0	2 ³² -1	-	-
3h	Error 3 Code		U32	ro	0	2 ³² -1	-	-
4h	Error 4 Code		U32	ro	0	2 ³² -1	-	-
5h	Error 5 Code		U32	ro	0	2 ³² -1	-	-

Appendix: CAN+ and CANopen protocol

1003h Error log: Code (continued)

Sub-index	Name	Description	Data type	Access	Minimum	Maximum	Default	Unit/Scale
6h	Error 6 Code		U32	ro	0	2 ³² -1	-	-
7h	Error 7 Code		U32	ro	0	2 ³² -1	-	-
8h	Error 8 Code		U32	ro	0	2 ³² -1	-	-
9h	Error 9 Code		U32	ro	0	2 ³² -1	-	-
Ah	Error 10 Code		U32	ro	0	2 ³² -1	-	-
Bh	Error 11 Code		U32	ro	0	2 ³² -1	-	-
Ch	Error 12 Code		U32	ro	0	2 ³² -1	-	-
Dh	Error 13 Code		U32	ro	0	2 ³² -1	-	-
Eh	Error 14 Code		U32	ro	0	2 ³² -1	-	-
Fh	Error 15 Code		U32	ro	0	2 ³² -1	-	-
10h	Error 16 Code		U32	ro	0	2 ³² -1	-	-
11h	Error 17 Code		U32	ro	0	2 ³² -1	-	-
12h	Error 18 Code		U32	ro	0	2 ³² -1	-	-
13h	Error 19 Code		U32	ro	0	2 ³² -1	-	-
14h	Error 20 Code		U32	ro	0	2 ³² -1	-	-
15h	Error 21 Code		U32	ro	0	2 ³² -1	-	-
16h	Error 22 Code		U32	ro	0	2 ³² -1	-	-
17h	Error 23 Code		U32	ro	0	2 ³² -1	-	-
18h	Error 24 Code		U32	ro	0	2 ³² -1	-	-

1008h Manufacturer device name

Sub-index	Name	Description	Data type	Access	Minimum	Maximum	Default	Unit/Scale
0	Manufacturer Device Name	JS1-H device family name. Returns "JOYSTICK"	STR	Const	-	-	-	-

1009h Manufacturer hardware version

Sub-index	Name	Description	Data type	Access	Minimum	Maximum	Default	Unit/Scale
0	Manufacturer Hardware Version	Hardware part number. The part number will be different for joystick models.	STR	Const	-	-	-	-

100Ah Manufacturer software version

Sub-index	Name	Description	Data type	Access	Minimum	Maximum	Default	Unit/Scale
0	Manufacturer Software Version	Software part number and version.	STR	Const	-	-	-	-

1014h COB-ID EMCY message

Sub-index	Name	Description	Data type	Access	Minimum	Maximum	Default	Unit/Scale
0	COB-ID EMCY Message	Defines the COB-ID of the EMCY object.	U32	ro	0	2 ³² -1	80h+ Node ID	-

Appendix: CAN+ and CANopen protocol

1017h Producer heartbeat time

Sub-index	Name	Description	Data type	Access	Minimum	Maximum	Default	Unit/Scale
0	Producer	Time in milliseconds on how often the Joystick will transmit a heartbeat. A value of 0 will disable the heartbeat. It requires a reboot for the value to take effect after change.	U16	rw	0	$2^{32}-1$	20	-

1018h Identity object

Sub-index	Name	Description	Data type	Access	Minimum	Maximum	Default	Unit/Scale
0	Number of entries		U8	const	-	-	4	-
1	Vendor Id	Returns the Vendor Id for JS1-H = 19h.	U32	const	-	-	19h	-
2	Product Code		U32	const	-	-	1h	-
3	Revision Number		U32	const	-	-	10001h	-
4	Serial Number	Device serial number.	U32	const	-	-	-	-

1200h Server SDO1 parameters

Sub-index	Name	Description	Data type	Access	Minimum	Maximum	Default	Unit/Scale
0	Number of entries		U8	const	-	-	2	-
1	COB-ID used by SDO 1 rx		U32	ro	0	$2^{32}-1$	600h+ Node Id	-
2	COB-ID used by SDO 1 tx		U32	ro	0	$2^{32}-1$	580h+ Node Id	-

1800h Transmit PDO1 communication parameters

Sub-index	Name	Description	Data type	Access	Minimum	Maximum	Default	Unit/Scale
0	Number of entries		U8	const	-	-	5	-
1	COB-ID used by PDO1 Tx		U32	ro	0	$2^{32}-1$	180h+ Node Id + 2^{30}	-
2	Transmission Type	FEh: event driven (manufacturer specific)	U8	ro	0	255	FEh	-
3	Inhibit Time	The time is the minimum interval for PDO transmission. The value is defined as multiple of 100 microseconds. The value of 0 shall disable the inhibit time.	U16	rw	0	$2^{16}-1$	0	ms/10

Appendix: CAN+ and CANopen protocol

1800h Transmit PDO1 communication parameters (continued)

Sub-index	Name	Description	Data type	Access	Minimum	Maximum	Default	Unit/Scale
4	Reserved	Not implemented; a read or write access results in an SDO abort with abort code 06090011h.	-	-	-	-	-	-
5	Event Time	The time is the maximum interval for PDO transmission. The value of 0 shall disable the event timer, resulting in the PDO not being transmitted.	U16	rw	0	$2^{16}-1$	20	ms

1801h Transmit PDO2 communication parameters

Sub-index	Name	Description	Data type	Access	Minimum	Maximum	Default	Unit/Scale
0	Number of entries		U8	const	-	-	5	-
1	COB-ID used by PDO2 Tx		U32	ro	0	$2^{32}-1$	$280h + \text{Node Id} + 2^{30}$	-
2	Transmission Type	FEh: event driven (manufacturer specific)	U8	ro	0	255	FEh	-
3	Inhibit Time	The time is the minimum interval for PDO transmission. The value is defined as multiple of 100 microseconds. The value of 0 shall disable the inhibit time.	U16	rw	0	$2^{16}-1$	0	ms/10
4	Reserved	Not implemented; a read or write access results in an SDO abort with abort code 06090011h.	-	-	-	-	-	-
5	Event Timer	The time is the maximum interval for PDO transmission. The value of 0 shall disable the event timer, resulting in the PDO not being transmitted.	U16	rw	0	$2^{16}-1$	20	ms

1802h Transmit PDO3 communication parameters

Sub-index	Name	Description	Data type	Access	Minimum	Maximum	Default	Unit/Scale
0	Number of entries		U8	const	-	-	5	-
1	COB-ID used by PDO3 Tx		U32	ro	0	$2^{32}-1$	$380h + \text{Node Id} + 2^{30}$	-
2	Transmission Type	FEh: event driven (manufacturer specific)	U8	ro	0	255	FEh	-

Appendix: CAN+ and CANopen protocol

1802h Transmit PDO3 communication parameters (continued)

Sub-index	Name	Description	Data type	Access	Minimum	Maximum	Default	Unit/Scale
3	Inhibit Time	The time is the minimum interval for PDO transmission. The value is defined as multiple of 100 microseconds. The value of 0 shall disable the inhibit time.	U16	rw	0	$2^{16}-1$	0	ms/10
4	Reserved	Not implemented; a read or write access results in an SDO abort with abort code 06090011h.	-	-	-	-	-	-
5	Event Timer	The time is the maximum interval for PDO transmission. The value of 0 shall disable the event timer, resulting in the PDO not being transmitted.	U16	rw	0	$2^{16}-1$	20	ms

1A00h Transmit PD01 map parameters

Sub-index	Name	Description	Data type	Access	Minimum	Maximum	Default	Unit/Scale
0	Number of Mapped Applications Objects in PDO1Tx		U8	ro	0	49	49	-
1	Mapping for Proportional Memory Freeze Status	Example: 6000h:1 gives value=60000108h where index=6000h sub-index=01h data type=08h (8bits)	U32	ro	0	$2^{32}-1$	60000108h	-
2	Mapping for Button 1	Button status	U32	ro	0	$2^{32}-1$	60200101h	-
3	Mapping for Button 2	Button status	U32	ro	0	$2^{32}-1$	60200201h	-
4	Mapping for Button 3	Button status	U32	ro	0	$2^{32}-1$	60200301h	-
5	Mapping for Button 4	Button status	U32	ro	0	$2^{32}-1$	60200401h	-
6	Mapping for Button 5	Button status	U32	ro	0	$2^{32}-1$	60200401h	-
7	Mapping for Button 6	Button status	U32	ro	0	$2^{32}-1$	60200601h	-
8	Mapping for Button 7	Button status	U32	ro	0	$2^{32}-1$	60200701h	-
9	Mapping for Button 8	Button status	U32	ro	0	$2^{32}-1$	60200801h	-
10	Mapping for Button 9	Button status	U32	ro	0	$2^{32}-1$	60200901h	-
11	Mapping for Button 10	Button status	U32	ro	0	$2^{32}-1$	60200A01h	-
12	Mapping for Button 11	Button status	U32	ro	0	$2^{32}-1$	60200B01h	-

Appendix: CAN+ and CANopen protocol

1A00h Transmit PD01 map parameters (continued)

Sub-index	Name	Description	Data type	Access	Minimum	Maximum	Default	Unit/Scale
13	Mapping for Button 12	Button status	U32	ro	0	2 ³² -1	60200C01h	-
14	Mapping for Button 13	Button status	U32	ro	0	2 ³² -1	60200D01h	-
15	Mapping for Button 14	Button status	U32	ro	0	2 ³² -1	60200E01h	-
16	Mapping for Button 15	Button status	U32	ro	0	2 ³² -1	60200F01h	-
17	Mapping for Button 16	Button status	U32	ro	0	2 ³² -1	60201001h	-
18	Mapping for Button 17	Button status	U32	ro	0	2 ³² -1	60201101h	-
19	Mapping for Button 18	Button status	U32	ro	0	2 ³² -1	60201201h	-
20	Mapping for Button 19	Button status	U32	ro	0	2 ³² -1	60201301h	-
21	Mapping for Button 20	Button status	U32	ro	0	2 ³² -1	60201401h	-
22	Mapping for Button 21	Button status	U32	ro	0	2 ³² -1	60201501h	-
23	Mapping for Button 22	Button status	U32	ro	0	2 ³² -1	60201601h	-
24	Mapping for Button 23	Button status	U32	ro	0	2 ³² -1	60201701h	-
25	Mapping for Button 24	Button status	U32	ro	0	2 ³² -1	60201801h	-
26	Reserved	Example: 6000h:2 gives value=60000208h where index=6000h sub-index=02h data type=08h (8 bits)	U32	ro	0	2 ³² -1	60000208h	-
27	Mapping for Button 1	Button enabled	U32	ro	0	2 ³² -1	60201901h	-
28	Mapping for Button 2	Button enabled	U32	ro	0	2 ³² -1	60201A01h	-
29	Mapping for Button 3	Button enabled	U32	ro	0	2 ³² -1	60201B01h	-
30	Mapping for Button 4	Button enabled	U32	ro	0	2 ³² -1	60201C01h	-
31	Mapping for Button 5	Button enabled	U32	ro	0	2 ³² -1	60201D01h	-
32	Mapping for Button 6	Button enabled	U32	ro	0	2 ³² -1	60201E01h	-
33	Mapping for Button 7	Button enabled	U32	ro	0	2 ³² -1	60201F01h	-
34	Mapping for Button 8	Button enabled	U32	ro	0	2 ³² -1	60202001h	-
35	Mapping for Button 9	Button enabled	U32	ro	0	2 ³² -1	60202101h	-
36	Mapping for Button 10	Button enabled	U32	ro	0	2 ³² -1	60202201h	-
37	Mapping for Button 11	Button enabled	U32	ro	0	2 ³² -1	60202301h	-

Appendix: CAN+ and CANopen protocol

1A00h Transmit PDO1 map parameters (continued)

Sub-index	Name	Description	Data type	Access	Minimum	Maximum	Default	Unit/Scale
38	Mapping for Button 12	Button enabled	U32	ro	0	2 ³² -1	60202401h	-
39	Mapping for Button 13	Button enabled	U32	ro	0	2 ³² -1	60202501h	-
40	Mapping for Button 14	Button enabled	U32	ro	0	2 ³² -1	60202601h	-
41	Mapping for Button 15	Button enabled	U32	ro	0	2 ³² -1	60202701h	-
42	Mapping for Button 16	Button enabled	U32	ro	0	2 ³² -1	60202801h	-
43	Mapping for Button 17	Button enabled	U32	ro	0	2 ³² -1	60202901h	-
44	Mapping for Button 18	Button enabled	U32	ro	0	2 ³² -1	60202A01h	-
45	Mapping for Button 19	Button enabled	U32	ro	0	2 ³² -1	60202B01h	-
46	Mapping for Button 20	Button enabled	U32	ro	0	2 ³² -1	60202C01h	-
47	Mapping for Button 21	Button enabled	U32	ro	0	2 ³² -1	60202D01h	-
48	Mapping for Button 22	Button enabled	U32	ro	0	2 ³² -1	60202E01h	-
49	Mapping for Button 23	Button enabled	U32	ro	0	2 ³² -1	60202F01h	-
50	Mapping for Button 24	Button enabled	U32	ro	0	2 ³² -1	60203001h	-

1A01h Transmit PDO2 map parameters

Sub-index	Name	Description	Data type	Access	Minimum	Maximum	Default	Unit/Scale
0	Number of Mapped Applications Objects in PDO2Tx		U8	ro	0	6	6	-
1	Mapping for X-Axis Proportional	Example: 6401h:1 gives value=64010110h where index=6401h sub-index=01h data type=10h (16 bits)	U32	ro	0	2 ³² -1	64010110h	-
2	Mapping for Y-Axis Proportional		U32	ro	0	2 ³² -1	64010210h	-
3	Reserved	Example: 6405h:1 gives value=64050110h where index=6405h sub-index=01h data type=10h (16 bits)	U32	ro	0	2 ³² -1	64050110h	-
4	Mapping for X-Axis Neutral State	Example: 6404h:1 gives value=64040102h where index=6404h sub-index=01h data type=02h (2 bits)	U32	ro	0	2 ³² -1	64040102h	-

Appendix: CAN+ and CANopen protocol

1A01h Transmit PDO2 map parameters (continued)

Sub-index	Name	Description	Data type	Access	Minimum	Maximum	Default	Unit/Scale
5	Mapping for Y-Axis Neutral State		U32	ro	0	$2^{32}-1$	64040202h	-
6	Reserved	Example: 6406h:1 gives value=64060102h where index=6406h sub-index=01h data type=02h (2 bits)	U32	ro	0	$2^{32}-1$	64060102h	-

1A02h Transmit PDO3 map parameters

Sub-index	Name	Description	Data type	Access	Minimum	Maximum	Default	Unit/Scale
0	Number of Mapped Applications Objects in PDO3Tx		U8	ro	0	6	6	-
1	Mapping for Grip 1 Proportional	Example: 6401h:1 gives value=64010310h where index=6401h sub-index=03h data type=10h (16 bits)	U32	ro	0	$2^{32}-1$	64010310h	-
2	Mapping for Grip 2 Proportional		U32	ro	0	$2^{32}-1$	64010410h	-
3	Mapping for Grip 3 Proportional		U32	ro	0	$2^{32}-1$	64010510h	-
4	Mapping for Grip 1 Axis Neutral State	Example: 6404h:3 gives value=64040302h where index=6404h sub-index=03h data type=02h (2 bits)	U32	ro	0	$2^{32}-1$	64040302h	-
5	Mapping for Grip 2 Axis Neutral State		U32	ro	0	$2^{32}-1$	64040402h	-
6	Mapping for Grip 3 Axis Neutral State		U32	ro	0	$2^{32}-1$	64040502h	-

Appendix: CAN+ and CANopen protocol

6000h Read input 8-bit

Sub-index	Name	Description	Data type	Access	Minimum	Maximum	Default	Unit/Scale
0	Number of Inputs 8-Bit		U8	ro	0	1	-	-
1	Proportional Memory Freeze	*Not supported Memory status for the proportional outputs. 0: memory function off (release proportional values) 1: memory functions on (freeze proportional values)	U8	ro	0	0	0	-
2	Proportional Memory Freeze	*Not supported Memory status for the proportional outputs. 0: memory function off (release proportional values) 1: memory functions on (freeze proportional values)	U8	ro	0	0	0	-

6020h Read input bit (buttons)

Sub-index	Name	Description	Data type	Access	Minimum	Maximum	Default	Unit/Scale
0	Number of Inputs Bits		U8	ro	0	32	32	-
1	Freeze Bit 1	*Not supported Memory status for the proportional outputs. 0: memory function off (release proportional values) 1: memory functions on (freeze proportional values)	U8	ro	0	0	0	-
2	Freeze Bit 2	*Not supported	U8	ro	0	0	0	-
3	Freeze Bit 3	*Not supported	U8	ro	0	0	0	-
4	Freeze Bit 4	*Not supported	U8	ro	0	0	0	-
5	Freeze Bit 5	*Not supported	U8	ro	0	0	0	-
6	Freeze Bit 6	*Not supported	U8	ro	0	0	0	-
7	Freeze Bit 7	*Not supported	U8	ro	0	0	0	-
8	Freeze Bit 8	*Not supported	U8	ro	0	0	0	-
9	Button 1	0: Not Pressed 1: Pressed	U8	ro	0	1	0	-
10	Button 2	See Button 1 (Sub Index 9)	U8	ro	0	1	0	-
11	Button 3	See Button 1 (Sub Index 9)	U8	ro	0	1	0	-
12	Button 4	See Button 1 (Sub Index 9)	U8	ro	0	1	0	-
13	Button 5	See Button 1 (Sub Index 9)	U8	ro	0	1	0	-
14	Button 6	See Button 1 (Sub Index 9)	U8	ro	0	1	0	-
15	Button 7	See Button 1 (Sub Index 9)	U8	ro	0	1	0	-
16	Button 8	See Button 1 (Sub Index 9)	U8	ro	0	1	0	-
17	Button 9	See Button 1 (Sub Index 9)	U8	ro	0	1	0	-
18	Button 10	See Button 1 (Sub Index 9)	U8	ro	0	1	0	-
19	Button 11	See Button 1 (Sub Index 9)	U8	ro	0	1	0	-
20	Button 12	See Button 1 (Sub Index 9)	U8	ro	0	1	0	-
21	Button 13	See Button 1 (Sub Index 9)	U8	ro	0	1	0	-

Appendix: CAN+ and CANopen protocol

6020h Read input bit (buttons) (continued)

Sub-index	Name	Description	Data type	Access	Minimum	Maximum	Default	Unit/Scale
22	Button 14	See Button 1 (Sub Index 9)	U8	ro	0	1	0	-
23	Button 15	See Button 1 (Sub Index 9)	U8	ro	0	1	0	-
24	Button 16	See Button 1 (Sub Index 9)	U8	ro	0	1	0	-
25	Button 17	See Button 1 (Sub Index 9)	U8	ro	0	1	0	-
26	Button 18	See Button 1 (Sub Index 9)	U8	ro	0	1	0	-
27	Button 19	See Button 1 (Sub Index 9)	U8	ro	0	1	0	-
28	Button 20	See Button 1 (Sub Index 9)	U8	ro	0	1	0	-
29	Button 21	See Button 1 (Sub Index 9)	U8	ro	0	1	0	-
30	Button 22	See Button 1 (Sub Index 9)	U8	ro	0	1	0	-
31	Button 23	See Button 1 (Sub Index 9)	U8	ro	0	1	0	-
32	Button 24	See Button 1 (Sub Index 9)	U8	ro	0	1	0	-
33	Button 1	0: Not Enabled 1: Enabled	U8	ro	0	1	0	-
34	Button 2	See Button 1 (Sub Index 33)	U8	ro	0	1	0	-
35	Button 3	See Button 1 (Sub Index 33)	U8	ro	0	1	0	-
36	Button 4	See Button 1 (Sub Index 33)	U8	ro	0	1	0	-
37	Button 5	See Button 1 (Sub Index 33)	U8	ro	0	1	0	-
38	Button 6	See Button 1 (Sub Index 33)	U8	ro	0	1	0	-
39	Button 7	See Button 1 (Sub Index 33)	U8	ro	0	1	0	-
40	Button 8	See Button 1 (Sub Index 33)	U8	ro	0	1	0	-
41	Button 9	See Button 1 (Sub Index 33)	U8	ro	0	1	0	-
42	Button 10	See Button 1 (Sub Index 33)	U8	ro	0	1	0	-
43	Button 11	See Button 1 (Sub Index 33)	U8	ro	0	1	0	-
44	Button 12	See Button 1 (Sub Index 33)	U8	ro	0	1	0	-
45	Button 13	See Button 1 (Sub Index 33)	U8	ro	0	1	0	-
46	Button 14	See Button 1 (Sub Index 33)	U8	ro	0	1	0	-
47	Button 15	See Button 1 (Sub Index 33)	U8	ro	0	1	0	-
48	Button 16	See Button 1 (Sub Index 33)	U8	ro	0	1	0	-
49	Button 17	See Button 1 (Sub Index 33)	U8	ro	0	1	0	-
50	Button 18	See Button 1 (Sub Index 33)	U8	ro	0	1	0	-
51	Button 19	See Button 1 (Sub Index 33)	U8	ro	0	1	0	-
52	Button 20	See Button 1 (Sub Index 33)	U8	ro	0	1	0	-
53	Button 21	See Button 1 (Sub Index 33)	U8	ro	0	1	0	-
54	Button 22	See Button 1 (Sub Index 33)	U8	ro	0	1	0	-
55	Button 23	See Button 1 (Sub Index 33)	U8	ro	0	1	0	-
56	Button 24	See Button 1 (Sub Index 33)	U8	ro	0	1	0	-

6401h Read analog inputs 16-Bit

Sub-index	Name	Description	Data type	Access	Minimum	Maximum	Default	Unit/Scale
0	Number of Analog Inputs 16-Bit		U8	ro	0	10	-	-
1	X-Axis Proportional		S16	ro	-1000	1000	0	%*10
2	Y-Axis Proportional		S16	ro	-1000	1000	0	%*10

Appendix: CAN+ and CANopen protocol

6401h Read analog inputs 16-Bit (continued)

Sub-index	Name	Description	Data type	Access	Minimum	Maximum	Default	Unit/Scale
3	Grip 1 Proportional		S16	ro	-1000	1000	0	%*10
4	Grip 2 Proportional		S16	ro	-1000	1000	0	%*10
5	Grip 3 Proportional		S16	ro	-1000	1000	0	%*10
6	Axis 5		S16	ro	-1000	1000	0	%*10
7	Axis 6		S16	ro	-1000	1000	0	%*10
8	Axis 7		S16	ro	-1000	1000	0	%*10
9	Axis 8		S16	ro	-1000	1000	0	%*10
10	Axis 9		S16	ro	-1000	1000	0	%*10

6404h Manufacturer specific input 2-Bit

Sub-index	Name	Description	Data type	Access	Minimum	Maximum	Default	Unit/Scale
0	Number of Mfg Specific Inputs 2-Bit		U8	ro	0	10	-	-
1	X-Axis Proportional Neutral State		U8	ro	0	3	0	00 – Neutral 01 – Out of Neutral 10 – Error 11 – Not Available
2	Y-Axis Proportional Neutral State		U8	ro	0	3	0	See Sub Index 1
3	Grip 1 Proportional Neutral State		U8	ro	0	3	0	See Sub Index 1
4	Grip 2 Proportional Neutral State		U8	ro	0	3	0	See Sub Index 1
5	Grip 3 Proportional Neutral State		U8	ro	0	3	0	See Sub Index 1
6	Axis 5 Neutral State		U8	ro	0	3	0	See Sub Index 1
7	Axis 6 Neutral State		U8	ro	0	3	0	See Sub Index 1
8	Axis 7 Neutral State		U8	ro	0	3	0	See Sub Index 1
9	Axis 8 Neutral State		U8	ro	0	3	0	See Sub Index 1
10	Axis 9 Neutral State		U8	ro	0	3	0	See Sub Index 1

Appendix: CAN+ and CANopen protocol

6405h Manufacturer specific reserved 16-Bit

Sub-index	Name	Description	Data type	Access	Minimum	Maximum	Default	Unit/Scale
0	Number of Mfg Specific Reserved 16-Bit		U16	ro	0	1	-	-
1	Reserved 1		U16	ro	0	$2^{16}-1$	0	

6406h Manufacturer specific reserved 2-Bit

Sub-index	Name	Description	Data type	Access	Minimum	Maximum	Default	Unit/Scale
0	Number of Mfg Specific Reserved 2-Bit		U8	ro	0	1	-	-
1	Reserved 1		U8	ro	0	3	0	

Appendix: CAN+ and CANopen protocol

Parameter/variable index - JS1-H CAN+

40h Device type

Sub-index	Name	Description	Data type	Access	Minimum	Maximum	Default	Unit/Scale
0	NEUTRAL_STATE	2-bit Proportional Axis (Neutral State) data type. 0x00 = Neutral 0x01 = Out Of Neutral 0x02 = Error 0x03 = Not Available	U32	ro	=	=	=	=

1000h Device type

Sub-index	Name	Description	Data type	Access	Minimum	Maximum	Default	Unit/Scale
0	Device Type	01050191h: Joystick without digital outputs	U32	const	=	=	See description	=

1001h Device register

Sub-index	Name	Description	Data type	Access	Minimum	Maximum	Default	Unit/Scale
0	Error Register	Bit 0 (Generic): 1 in case of an unknown error Bit 1 (Current): Always zero Bit 2 (Voltage): 1 in case of a voltage to high or low Bit 3 (Temperature): Always zero Bit 4 (Communication Error): Always zero Bit 5 (Device Profile Specific): Always zero Bit 6 (Reserved): Always zero Bit 7 (Manufacture-Specific): 1 in case of an IIC grip communication error, or a calibration error	U8	ro	=	=	=	=

1003h Error log: Code

Sub-index	Name	Description	Data type	Access	Minimum	Maximum	Default	Unit/Scale
0h	Log size	The entry at sub-index 0 contains the number of actual errors that are recorded starting at sub-index 1. Writing a zero to sub-index 0 clears the error log. Writing a value other than zero to sub-index 0 will result in an abort message.	U8	rw	0	24	=	=
1h	Error 1 Code	Every new error is stored at sub-index 1, the older ones move down the list.	U32	ro	0	2 ³² -1	=	=
2h	Error 1 Code		U32	ro	0	2 ³² -1	=	=
3h	Error 1 Code		U32	ro	0	2 ³² -1	=	=
4h	Error 1 Code		U32	ro	0	2 ³² -1	=	=
5h	Error 1 Code		U32	ro	0	2 ³² -1	=	=
6h	Error 1 Code		U32	ro	0	2 ³² -1	=	=
7h	Error 1 Code		U32	ro	0	2 ³² -1	=	=

Appendix: CAN+ and CANopen protocol

1003h Error log: Code (continued)

Sub-index	Name	Description	Data type	Access	Minimum	Maximum	Default	Unit/Scale
8h	Error 1 Code		U32	ro	0	2 ₃₂ -1	=	=
9h	Error 1 Code		U32	ro	0	2 ₃₂ -1	=	=
Bh	Error 1 Code		U32	ro	0	2 ₃₂ -1	=	=
Ch	Error 1 Code		U32	ro	0	2 ₃₂ -1	=	=
Dh	Error 1 Code		U32	ro	0	2 ₃₂ -1	=	=
Eh	Error 1 Code		U32	ro	0	2 ₃₂ -1	=	=
Fh	Error 1 Code		U32	ro	0	2 ₃₂ -1	=	=
10h	Error 1 Code		U32	ro	0	2 ₃₂ -1	=	=
11h	Error 1 Code		U32	ro	0	2 ₃₂ -1	=	=
12h	Error 1 Code		U32	ro	0	2 ₃₂ -1	=	=
13h	Error 1 Code		U32	ro	0	2 ₃₂ -1	=	=
14h	Error 1 Code		U32	ro	0	2 ₃₂ -1	=	=
15h	Error 1 Code		U32	ro	0	2 ₃₂ -1	=	=
16h	Error 1 Code		U32	ro	0	2 ₃₂ -1	=	=
17h	Error 1 Code		U32	ro	0	2 ₃₂ -1	=	=
18h	Error 1 Code		U32	ro	0	2 ₃₂ -1	=	=

1008h Manufacturer device name

Sub-index	Name	Description	Data type	Access	Minimum	Maximum	Default	Unit/Scale
0	Manufacturer Device Name	JS1-H device family name. Returns "JOYSTICK"	STR	Const	=	=	=	=

1009h Manufacturer hardware version

Sub-index	Name	Description	Data type	Access	Minimum	Maximum	Default	Unit/Scale
0	Manufacturer Hardware Version	Hardware part number. The part number will be different for joystick models.	STR	Const	=	=	=	=

100Ah Manufacturer software version

Sub-index	Name	Description	Data type	Access	Minimum	Maximum	Default	Unit/Scale
0	Manufacturer Software Version	Software part number and version.	STR	Const	=	=	=	=

1014h COB-ID EMCY message

Sub-index	Name	Description	Data type	Access	Minimum	Maximum	Default	Unit/Scale
0	COB-ID EMCY Message	Defines the COB-ID of the EMCY object.	U32	ro	0	2 ₃₂ -1	80h+ Node ID	=

Appendix: CAN+ and CANopen protocol

1017h Producer heartbeat time

Sub-index	Name	Description	Data type	Access	Minimum	Maximum	Default	Unit/Scale
0	Producer	Time in milliseconds on how often the Joystick will transmit a heartbeat. A value of 0 will disable the heartbeat. It requires a reboot for the value to take effect after change.	U16	rw	0	2_{32}^{-1}	20	=

1018h Identity object

Sub-index	Name	Description	Data type	Access	Minimum	Maximum	Default	Unit/Scale
0	Number of entries		U8	Const	=	=	4	=
1	Vendor Id	Returns the Vendor Id for JS1-H = 19h.	U32	Const	=	=	19h	=
2	Product Code		U32	Const	=	=	1h	=
3	Revision Number		U32	Const	=	=	10001h	=
4	Serial Number	Device serial number.	U32	Const	=	=	=	=

1200h Server SDO1 parameters

Sub-index	Name	Description	Data type	Access	Minimum	Maximum	Default	Unit/Scale
0	Number of entries		U8	Const	=	=	2	=
1	COB-ID used by SDO 1 rx		U32	ro	0	2_{32}^{-1}	600h+ Node Id	=
2	COB-ID used by SDO 1 tx		U32	ro	0	2_{32}^{-1}	580h+ Node Id	=

1800h Transmit PDO1 communication parameters

Sub-index	Name	Description	Data type	Access	Minimum	Maximum	Default	Unit/Scale
0	Number of entries		U8	Const	=	=	5	=
1	COB-ID used by PDO1 Tx		U32	ro	0	2_{32}^{-1}	180h+ Node Id + 2_{30}	=
2	Transmission Type	FEh: event driven (manufacturer specific)	U8	ro	0	255	FEh	=
3	Inhibit Time	The time is the minimum interval for PDO transmission. The value is defined as multiple of 100 microseconds. The value of 0 shall disable the inhibit time.	U16	rw	0	2_{16}^{-1}	0	ms/10
4	Reserved	Not implemented; a read or write access results in an SDO abort with abort code 06090011h.	=	=	=	=	=	=
5	Event Time	The time is the maximum interval for PDO transmission. The value of 0 shall disable the event timer, resulting in the PDO not being transmitted.	U16	rw	0	2_{16}^{-1}	20	ms

Appendix: CAN+ and CANopen protocol

1801h Transmit PDO2 communication parameters

Sub-index	Name	Description	Data type	Access	Minimum	Maximum	Default	Unit/Scale
0	Number of entries		U8	Const	=	=	5	=
1	COB-ID used by PDO2 Tx		U32	ro	0	$2_{32}-1$	280h+ Node Id + 2 ₃₀	=
2	Transmission Type	FEh: event driven (manufacturer specific)	U8	ro	0	255	FEh	=
3	Inhibit Time	The time is the minimum interval for PDO transmission. The value is defined as multiple of 100 microseconds. The value of 0 shall disable the inhibit time.	U16	rw	0	$2_{16}-1$	0	ms/10
4	Reserved	Not implemented; a read or write access results in an SDO abort with abort code 06090011h.	=	=	0	=	=	=
5	Event Time	The time is the maximum interval for PDO transmission. The value of 0 shall disable the event timer, resulting in the PDO not being transmitted.	U16	rw	0	$2_{16}-1$	20	ms

1802h Transmit PDO3 communication parameters

Sub-index	Name	Description	Data type	Access	Minimum	Maximum	Default	Unit/Scale
0	Number of entries		U8	Const	=	=	5	=
1	COB-ID used by PDO3 Tx		U32	ro	0	$2_{32}-1$	380h+ Node Id + 2 ₃₀	=
2	Transmission Type	FEh: event driven (manufacturer specific)	U8	ro	0	255	FEh	=
3	Inhibit Time	The time is the minimum interval for PDO transmission. The value is defined as multiple of 100 microseconds. The value of 0 shall disable the inhibit time.	U16	rw	0	$2_{16}-1$	0	ms/10
4	Reserved	Not implemented; a read or write access results in an SDO abort with abort code 06090011h.	=	=	=	=	=	=
5	Event Time	The time is the maximum interval for PDO transmission. The value of 0 shall disable the event timer, resulting in the PDO not being transmitted.	U16	rw	0	$2_{16}-1$	20	ms

1803h Transmit PDO4 communication parameters

Sub-index	Name	Description	Data type	Access	Minimum	Maximum	Default	Unit/Scale
0	Number of entries		U8	Const	=	=	5	=
1	COB-ID used by PDO3 Tx		U32	ro	0	$2_{32}-1$	380h+ Node Id + 2 ₃₀	=
2	Transmission Type	FEh: event driven (manufacturer specific)	U8	ro	0	255	FEh	=

Appendix: CAN+ and CANopen protocol

1803h Transmit PDO4 communication parameters (continued)

Sub-index	Name	Description	Data type	Access	Minimum	Maximum	Default	Unit/Scale
3	Inhibit Time	The time is the minimum interval for PDO transmission. The value is defined as multiple of 100 microseconds. The value of 0 shall disable the inhibit time.	U16	rw	0	2_{16}^{-1}	0	ms/10
4	Reserved	Not implemented; a read or write access results in an SDO abort with abort code 06090011h.	=	=	=	=	=	=
5	Event Time	The time is the maximum interval for PDO transmission. The value of 0 shall disable the event timer, resulting in the PDO not being transmitted.	U16	rw	0	2_{16}^{-1}	20	ms

1A00h Transmit PDO1 map parameters

Sub-index	Name	Description	Data type	Access	Minimum	Maximum	Default	Unit/Scale
0	Number of Mapped Applications Objects in PDO1Tx		U8	ro	0	39	39	=
1	Mapping for Proportional Memory Freeze Status	Example: 6000h:1 gives value=60000108h where index=6000h sub-index=01h data type=08h (8bits)	U32	ro	0	0	60000108h	=
2	Mapping for Button 1	Button status	U32	ro	0	1	60200101h	=
3	Mapping for Button 2	Button status	U32	ro	0	1	60200201h	=
4	Mapping for Button 3	Button status	U32	ro	0	1	60200301h	=
5	Mapping for Button 4	Button status	U32	ro	0	1	60200401h	=
6	Mapping for Button 5	Button status	U32	ro	0	1	60200401h	=
7	Mapping for Button 6	Button status	U32	ro	0	1	60200401h	=
8	Mapping for Button 7	Button status	U32	ro	0	1	60200701h	=
9	Mapping for Button 8	Button status	U32	ro	0	1	60200801h	=
10	Mapping for Button 9	Button status	U32	ro	0	1	60200901h	=
11	Mapping for Button 10	Button status	U32	ro	0	1	60200A01h	=
12	Mapping for Button 11	Button status	U32	ro	0	1	60200B01h	=
13	Mapping for Button 12	Button status	U32	ro	0	1	60200C01h	=
14	Reserved	Example: 6000h:2 gives value=60000204h where index=6000h sub-index=02h data type=04h (4 bits)	U32	ro	0	0	60000204h	=

Appendix: CAN+ and CANopen protocol

1A00h Transmit PD01 map parameters (continued)

Sub-index	Name	Description	Data type	Access	Minimum	Maximum	Default	Unit/Scale
15	Mapping for Button 13	Button status	U32	ro	0	1	60200D01h	=
16	Mapping for Button 14	Button status	U32	ro	0	1	60200E01h	=
17	Mapping for Button 15	Button status	U32	ro	0	1	60200F01h	=
18	Mapping for Button 16	Button status	U32	ro	0	1	60201001h	=
19	Mapping for Button 17	Button status	U32	ro	0	1	60201101h	=
20	Mapping for Button 18	Button status	U32	ro	0	1	60201201h	=
21	Mapping for Button 19	Button status	U32	ro	0	1	60201301h	=
22	Mapping for Button 20	Button status	U32	ro	0	1	60201401h	=
23	Mapping for Button 21	Button status	U32	ro	0	1	60201501h	=
24	Mapping for Button 22	Button status	U32	ro	0	1	60201601h	=
25	Mapping for Button 23	Button status	U32	ro	0	1	60201701h	=
26	Mapping for Button	Button status	U32	ro	0	1	60201801h	=
27	Reserved	Example: 6000h:2 gives value=60000204h where index=6000h sub-index=02h data type=04h (4 bits)	U32	ro	0	1	60000204h	=
28	Mapping for Button 1	Button enabled	U32	ro	0	1	60201901h	=
29	Mapping for Button 2	Button enabled	U32	ro	0	1	60201A01h	=
30	Mapping for Button 3	Button enabled	U32	ro	0	1	60201B01h	=
31	Mapping for Button 4	Button enabled	U32	ro	0	1	60201C01h	=
32	Mapping for Button 5	Button enabled	U32	ro	0	1	60201D01h	=
33	Mapping for Button 6	Button enabled	U32	ro	0	1	60201E01h	=
34	Mapping for Button 7	Button enabled	U32	ro	0	1	60201F01h	=
35	Mapping for Button 8	Button enabled	U32	ro	0	1	60202001h	=
36	Mapping for Button 9	Button enabled	U32	ro	0	1	60202101h	=
37	Mapping for Button 10	Button enabled	U32	ro	0	1	60202201h	=
38	Mapping for Button 11	Button enabled	U32	ro	0	1	60202301h	=
39	Mapping for Button 12	Button enabled	U32	ro	0	1	60202401h	=

Appendix: CAN+ and CANopen protocol

1A01h Transmit PDO2 map parameters

Sub-index	Name	Description	Data type	Access	Minimum	Maximum	Default	Unit/Scale
0	Number of Mapped Applications Objects in PDO2Tx		U8	ro	0	6	6	=
1	Mapping for X-Axis Proportional	Example: 6401h:1 gives value=64010110h where index=6401h sub-index=01h data type=10h (16 bits)	U32	ro	0	2 ₃₂ ⁻¹	64010110h	=
2	Mapping for Y-Axis Proportional		U32	ro	0	2 ₃₂ ⁻¹	64010210h	=
3	Reserved	Example: 6405h:1 gives value=64050110h where index=6405h sub-index=01h data type=10h (16 bits)	U32	ro	0	2 ₃₂ ⁻¹	64050110h	=
4	Mapping for X-Axis Neutral State	Example: 6404h:1 gives value=64040102h where index=6404h sub-index=01h data type=02h (2 bits)	U32	ro	0	2 ₃₂ ⁻¹	64040102h	=
5	Mapping for Y-Axis Neutral State		U32	ro	0	2 ₃₂ ⁻¹	64040202h	=
6	Reserved	Example: 6406h:1 gives value=64060102h where index=6406h sub-index=01h data type=02h (2 bits)	U32	ro	0	2 ₃₂ ⁻¹	64060102h	=

1A02h Transmit PDO3 map parameters

Sub-index	Name	Description	Data type	Access	Minimum	Maximum	Default	Unit/Scale
0	Number of Mapped Applications Objects in PDO3Tx		U8	ro	0	6	6	=
1	Mapping for Grip 1 Proportional	Example: 6401h:1 gives value=64010310h where index=6401h sub-index=03h data type=10h (16 bits)	U32	ro	0	2 ₃₂ ⁻¹	64010310h	=
2	Mapping for Grip 2 Proportional		U32	ro	0	2 ₃₂ ⁻¹	64010410h	=
3	Mapping for Grip 3 Proportional		U32	ro	0	2 ₃₂ ⁻¹	64010510h	=
4	Mapping for Grip 1 Axis Neutral State	Example: 6404h:3 gives value=64040302h where index=6404h sub-index=03h data type=02h (2 bits)	U32	ro	0	2 ₃₂ ⁻¹	64040302h	=
5	Mapping for Grip 2 Axis Neutral State		U32	ro	0	2 ₃₂ ⁻¹	64040402h	=
6	Mapping for Grip 3 Axis Neutral State		U32	ro	0	2 ₃₂ ⁻¹	64040502h	=

Appendix: CAN+ and CANopen protocol

1A03h Transmit PDO4 map parameters

Sub-index	Name	Description	Data type	Access	Minimum	Maximum	Default	Unit/Scale
0	Number of Mapped Applications Objects in PDO4Tx		U8	ro	0	4	4	=
1	Mapping for X100p11	Example: 6401h:1 gives value=64010610h where index=6401h sub-index=06h data type=10h (16 bits)	U32	ro	0	2 ³² -1	64010610h	=
2	Mapping for X100p12		U32	ro	0	2 ³² -1	64010710h	=
3	Mapping for X100p30		U32	ro	0	2 ³² -1	64010810h	=
4	Mapping for X100p15		U32	ro	0	2 ³² -1	64010910h	=

6000h Read input 8-bit

Sub-index	Name	Description	Data type	Access	Minimum	Maximum	Default	Unit/Scale
0	Number of Inputs 8-Bit		U8	ro	0	1	=	=
1	Proportional Memory Freeze	Not supported Memory status for the proportional outputs. 0: memory function off (release proportional values) 1: memory functions on (freeze proportional values)	U8	ro	0	0	0	=
2	Proportional Memory Freeze	Not supported Memory status for the proportional outputs. 0: memory function off (release proportional values) 1: memory functions on (freeze proportional values)	U8	ro	0	0	0	=

6020h Read input bit (buttons)

Sub-index	Name	Description	Data type	Access	Minimum	Maximum	Default	Unit/Scale
0	Number of Inputs Bits		U8	ro	0	32	32	=
1	Freeze Bit 1	Not supported Memory status for the proportional outputs. 0: memory function off (release proportional values) 1: memory functions on (freeze proportional values)	U8	ro	0	0	0	=
2	Freeze Bit 2	Not supported Memory status for the proportional outputs. 0: memory function off (release proportional values) 1: memory functions on (freeze proportional values)	U8	ro	0	0	0	=

Appendix: CAN+ and CANopen protocol

6020h Read input bit (buttons) (continued)

Sub-index	Name	Description	Data type	Access	Minimum	Maximum	Default	Unit/Scale
3	Freeze Bit 3	Not supported Memory status for the proportional outputs. 0: memory function off (release proportional values) 1: memory functions on (freeze proportional values)	U8	ro	0	0	0	=
4	Freeze Bit 4	Not supported Memory status for the proportional outputs. 0: memory function off (release proportional values) 1: memory functions on (freeze proportional values)	U8	ro	0	0	0	=
5	Freeze Bit 5	Not supported Memory status for the proportional outputs. 0: memory function off (release proportional values) 1: memory functions on (freeze proportional values)	U8	ro	0	0	0	=
6	Freeze Bit 6	Not supported Memory status for the proportional outputs. 0: memory function off (release proportional values) 1: memory functions on (freeze proportional values)	U8	ro	0	0	0	=
7	Freeze Bit 7	Not supported Memory status for the proportional outputs. 0: memory function off (release proportional values) 1: memory functions on (freeze proportional values)	U8	ro	0	0	0	=
8	Freeze Bit 8	Not supported Memory status for the proportional outputs. 0: memory function off (release proportional values) 1: memory functions on (freeze proportional values)	U8	ro	0	0	0	=
9	Button 1	0: Not Pressed 1: Pressed	U8	ro	0	1	0	=
10	Button 2	See Button 1 (Sub Index 9)	U8	ro	0	1	0	=
11	Button 3	See Button 1 (Sub Index 9)	U8	ro	0	1	0	=
12	Button 4	See Button 1 (Sub Index 9)	U8	ro	0	1	0	=
13	Button 5	See Button 1 (Sub Index 9)	U8	ro	0	1	0	=
14	Button 6	See Button 1 (Sub Index 9)	U8	ro	0	1	0	=
15	Button 7	See Button 1 (Sub Index 9)	U8	ro	0	1	0	=
16	Button 8	See Button 1 (Sub Index 9)	U8	ro	0	1	0	=
17	Button 9	See Button 1 (Sub Index 9)	U8	ro	0	1	0	=
18	Button 10	See Button 1 (Sub Index 9)	U8	ro	0	1	0	=
19	Button 11	See Button 1 (Sub Index 9)	U8	ro	0	1	0	=

Appendix: CAN+ and CANopen protocol

6020h Read input bit (buttons) (continued)

Sub-index	Name	Description	Data type	Access	Minimum	Maximum	Default	Unit/Scale
20	Button 12	See Button 1 (Sub Index 9)	U8	ro	0	1	0	=
21	Button 13	See Button 1 (Sub Index 9)	U8	ro	0	1	0	=
22	Button 14	See Button 1 (Sub Index 9)	U8	ro	0	1	0	=
23	Button 15	See Button 1 (Sub Index 9)	U8	ro	0	1	0	=
24	Button 16	See Button 1 (Sub Index 9)	U8	ro	0	1	0	=
25	Button 17	See Button 1 (Sub Index 9)	U8	ro	0	1	0	=
26	Button 18	See Button 1 (Sub Index 9)	U8	ro	0	1	0	=
27	Button 19	See Button 1 (Sub Index 9)	U8	ro	0	1	0	=
28	Button 20	See Button 1 (Sub Index 9)	U8	ro	0	1	0	=
29	Button 21	See Button 1 (Sub Index 9)	U8	ro	0	1	0	=
30	Button 22	See Button 1 (Sub Index 9)	U8	ro	0	1	0	=
31	Button 23	See Button 1 (Sub Index 9)	U8	ro	0	1	0	=
32	Button 24	See Button 1 (Sub Index 9)	U8	ro	0	1	0	=
33	Button 1	0: Not Enabled 1: Enabled	U8	ro	0	1	0	=
34	Button 2	See Button 1 (Sub Index 33)	U8	ro	0	1	0	=
35	Button 3	See Button 1 (Sub Index 33)	U8	ro	0	1	0	=
36	Button 4	See Button 1 (Sub Index 33)	U8	ro	0	1	0	=
37	Button 5	See Button 1 (Sub Index 33)	U8	ro	0	1	0	=
38	Button 6	See Button 1 (Sub Index 33)	U8	ro	0	1	0	=
39	Button 7	See Button 1 (Sub Index 33)	U8	ro	0	1	0	=
40	Button 8	See Button 1 (Sub Index 33)	U8	ro	0	1	0	=
41	Button 9	See Button 1 (Sub Index 33)	U8	ro	0	1	0	=
42	Button 10	See Button 1 (Sub Index 33)	U8	ro	0	1	0	=
43	Button 11	See Button 1 (Sub Index 33)	U8	ro	0	1	0	=
44	Button 12	See Button 1 (Sub Index 33)	U8	ro	0	1	0	=
45	Button 13	See Button 1 (Sub Index 33)	U8	ro	0	1	0	=
46	Button 14	See Button 1 (Sub Index 33)	U8	ro	0	1	0	=
47	Button 15	See Button 1 (Sub Index 33)	U8	ro	0	1	0	=
48	Button 16	See Button 1 (Sub Index 33)	U8	ro	0	1	0	=
49	Button 17	See Button 1 (Sub Index 33)	U8	ro	0	1	0	=
50	Button 18	See Button 1 (Sub Index 33)	U8	ro	0	1	0	=
51	Button 19	See Button 1 (Sub Index 33)	U8	ro	0	1	0	=
52	Button 20	See Button 1 (Sub Index 33)	U8	ro	0	1	0	=
53	Button 21	See Button 1 (Sub Index 33)	U8	ro	0	1	0	=
54	Button 22	See Button 1 (Sub Index 33)	U8	ro	0	1	0	=
55	Button 23	See Button 1 (Sub Index 33)	U8	ro	0	1	0	=
56	Button 24	See Button 1 (Sub Index 33)	U8	ro	0	1	0	=

6401h Read analog inputs 16-Bit

Sub-index	Name	Description	Data type	Access	Minimum	Maximum	Default	Unit/Scale
0	Number of Analog Inputs 16-Bit		U8	ro	0	10	=	=
1	X-Axis Proportional		S16	ro	-1000	1000	0	%*10
2	Y-Axis Proportional		S16	ro	-1000	1000	0	%*10

Appendix: CAN+ and CANopen protocol

6401h Read analog inputs 16-Bit (continued)

Sub-index	Name	Description	Data type	Access	Minimum	Maximum	Default	Unit/Scale
3	Grip 1 Proportional		S16	ro	-1000	1000	0	%*10
4	Grip 2 Proportional		S16	ro	-1000	1000	0	%*10
5	Grip 3 Proportional		S16	ro	-1000	1000	0	%*10
6	Axis 5		S16	ro	-1000	1000	0	%*10
7	Axis 6		S16	ro	-1000	1000	0	%*10
8	Axis 7		S16	ro	-1000	1000	0	%*10
9	Axis 8		S16	ro	-1000	1000	0	%*10
10	Axis 9		S16	ro	-1000	1000	0	%*10

6404h Manufacturer specific input 2-Bit

Sub-index	Name	Description	Data type	Access	Minimum	Maximum	Default	Unit/Scale
0	Number of Mfg Specific Inputs 2-Bit		U8	ro	0	10	=	=
1	X-Axis Proportional Neutral State		U8	ro	0	3	0	00 – Neutral 01 – Out of Neutral 12 – Error 13 – Not Available
2	Y-Axis Proportional Neutral State		U8	ro	0	3	0	See Sub Index 1
3	Grip 1 Proportional Neutral State		U8	ro	0	3	0	See Sub Index 1
4	Grip 2 Proportional Neutral State		U8	ro	0	3	0	See Sub Index 1
5	Grip 3 Proportional Neutral State		U8	ro	0	3	0	See Sub Index 1
6	Axis 5 Neutral State		U8	ro	0	3	0	See Sub Index 1
7	Axis 6 Neutral State		U8	ro	0	3	0	See Sub Index 1
8	Axis 7 Neutral State		U8	ro	0	3	0	See Sub Index 1
9	Axis 8 Neutral State		U8	ro	0	3	0	See Sub Index 1
10	Axis 9 Neutral State		U8	ro	0	3	0	See Sub Index 1

6405h Manufacturer specific reserved 16-Bit

Sub-index	Name	Description	Data type	Access	Minimum	Maximum	Default	Unit/Scale
0	Number of Mfg Specific Reserved 16- Bit		U16	ro	0	1	=	=
1	Reserved 1		U16	ro	0	2 ₁₆ -1	0	

Appendix: CAN+ and CANopen protocol

6406h Manufacturer specific reserved 2-Bit

Sub-index	Name	Description	Data type	Access	Minimum	Maximum	Default	Unit/Scale
0	Number of Mfg Specific Reserved 2- Bit		U8	ro	0	1	=	=
1	Reserved 1		U8	ro	0	3	0	

Appendix: CAN+ and CANopen protocol

Error handling

General

When an event classified as an error occurs, a CANopen standard error code is sent out in an EMCY message. The emergency message and its contents are shown in the table below. The emergency message follows reference CiA Draft Standard 301, Version 4.0. Parts of the manufacturer specific error field are used for the more specified error definition.

Emergency message

Byte	0	1	2	3	4	5	6	7
Content	Emergency error code		Error register	Manufacturer specific				

Emergency error codes

CANopen failure code

Inputs	Voltage high		Voltage low		Not calibrated		Redundancy	
	Error code	Manufacturer specific	Error code	Manufacturer specific	Error code	Manufacturer specific	Error code	Manufacturer specific
X	0x3110	0x80	0x3120	0x80	0xFF10	0x80	0xFF20	0x80
Y	0x3110	0x81	0x3120	0x81	0xFF10	0x81	0xFF20	0x81
Grip X	0x3110	0x82	0x3120	0x82	0xFF10	0x82	0xFF20	0x82
Grip Y	0x3110	0x83	0x3120	0x83	0xFF10	0x83	0xFF20	0x83
Grip Theta	0x3110	0x84	0x3120	0x84	0xFF10	0x84	0xFF20	0x84

Manufacturer specific error codes

The manufacturer specific error codes are used to help identify which sensor has experienced failure.

Manufacturer specific definition

Byte 0 occurrence counter	Byte 1 sensor identifier		Byte 2 not used	Byte 3 not used
0-127	Digital inputs	0x00 - 0x3F	0	0
0-127	Digital outputs	0x40 - 0x7F	0	0
0-127	Analog inputs	0x80 - 0xBF	0	0
0-127	Analog outputs	0xC0 - 0xFF	0	0

Error register

The error register can also be read at index 1001h:0.

Standard error register (bit field) for the emergency message

Code	Bit	Value	Description
Generic	0	0	
Current	1	0	
Voltage	2	0	
Temperature	3	0	
Communication	4	0	
Device	5	0	

Appendix: CAN+ and CANopen protocol

Standard error register (bit field) for the emergency message (continued)

Code	Bit	Value	Description
Reserved	6	0	
Manufacturer	7	0	

Products we offer:

- Cartridge valves
- DCV directional control valves
- Electric converters
- Electric machines
- Electric motors
- Gear motors
- Gear pumps
- Hydraulic integrated circuits (HICs)
- Hydrostatic motors
- Hydrostatic pumps
- Orbital motors
- PLUS+1® controllers
- PLUS+1® displays
- PLUS+1® joysticks and pedals
- PLUS+1® operator interfaces
- PLUS+1® sensors
- PLUS+1® software
- PLUS+1® software services, support and training
- Position controls and sensors
- PVG proportional valves
- Steering components and systems
- Telematics

Danfoss Power Solutions is a global manufacturer and supplier of high-quality hydraulic and electric components. We specialize in providing state-of-the-art technology and solutions that excel in the harsh operating conditions of the mobile off-highway market as well as the marine sector. Building on our extensive applications expertise, we work closely with you to ensure exceptional performance for a broad range of applications. We help you and other customers around the world speed up system development, reduce costs and bring vehicles and vessels to market faster.

Danfoss Power Solutions – your strongest partner in mobile hydraulics and mobile electrification.

Go to www.danfoss.com for further product information.

We offer you expert worldwide support for ensuring the best possible solutions for outstanding performance. And with an extensive network of Global Service Partners, we also provide you with comprehensive global service for all of our components.

Local address:

Hydro-Gear

www.hydro-gear.com

Daikin-Sauer-Danfoss

www.daikin-sauer-danfoss.com

**Danfoss
Power Solutions (US) Company**
2800 East 13th Street
Ames, IA 50010, USA
Phone: +1 515 239 6000

**Danfoss
Power Solutions GmbH & Co. OHG**
Krokamp 35
D-24539 Neumünster, Germany
Phone: +49 4321 871 0

**Danfoss
Power Solutions ApS**
Nordborgvej 81
DK-6430 Nordborg, Denmark
Phone: +45 7488 2222

**Danfoss
Power Solutions Trading
(Shanghai) Co., Ltd.**
Building #22, No. 1000 Jin Hai Rd
Jin Qiao, Pudong New District
Shanghai, China 201206
Phone: +86 21 2080 6201

Danfoss can accept no responsibility for possible errors in catalogues, brochures and other printed material. Danfoss reserves the right to alter its products without notice. This also applies to products already on order provided that such alterations can be made without subsequent changes being necessary in specifications already agreed. All trademarks in this material are property of the respective companies. Danfoss and the Danfoss logotype are trademarks of Danfoss A/S. All rights reserved.