

Data Sheet

Electronic Torque Limiting (ETL) Solutions

Series 45 Pumps



The new Series 45 Pressure Compensating/Load Sensing with Electronic Torque Limiting control (PC/LS with ETL), offers the next generation in system performance, efficiency, and innovation. Specifically designed with Tier 4 engines in mind this newly-developed proprietary system allows operators to maximize the total performance potential of their machine.

The Series 45 Electronic Torque Limiting control is designed to be fitted into existing pressure compensated/load sensing or mechanical torque control (MTC) systems. ETL unlocks total system performance potential by allowing infinite adjustment of torque limit settings through the electronic proportional control. PLUS+1[®] Compliant, available with GUIDE programmable software and precompiled electronic controls, this system solution can be quickly and easily implemented into current or new applications.

A flexible, modular product line allows for either the standalone pump to be purchased, or the entire system. Full system integration can be achieved quickly and easily with the Danfoss pre-programmed controllers and GUIDE software blocks. Ready to operate hardware and software significantly reduces machine development and testing time, keeping time to market at a minimum by quickly fitting the system to your specific needs.



Features

Pressure compensator/load sensing pump with electronic torque limiting control (PC/LS with ETL)

- Available in 12/24 volt configurations
- Normally closed control (NC), removal of signal to control or angle sensor defaults system to regular PC/LS functionality, allows for maximum uptime
- Similar hardware configuration as current electric controls
- Can be easily implemented into PC/LS systems

Angle sensor

- Measures real time swashplate angle (displacement) of the pump with high resolution
- Proven hardware with no interference parts
- Redundant (dual) integrated sensors
 - Improved measurement accuracy
 - Easy sensor fault detection
- PLUS+1[®] compliance block
 - Easy calibration of sensor and diagnostics

- Also available with other common control configurations (PC, PC/LS, RP, ON/OFF)
- IP67 and IP69K Rating with a 4 pin DEUTSCH connector
- Same package size as current electrical controls

Comprehensive technical literature is online at www.danfoss.com

Optional features

- GUIDE Programmable Electronic Torque Limiting Software
 - Optimized ETL software package for plug & perform functionality
 - Available in the work function control library
 - Easy to program software blocks with GUIDE, ideal for adding to existing GUIDE blocks
 - Simple for integration of user inputs, outputs and additional sensors
 - Incorporates Danfoss dual path propel expertise
 - Available for use with other PLUS+1[®] applications.

Preprogrammed MC12 electronic controller

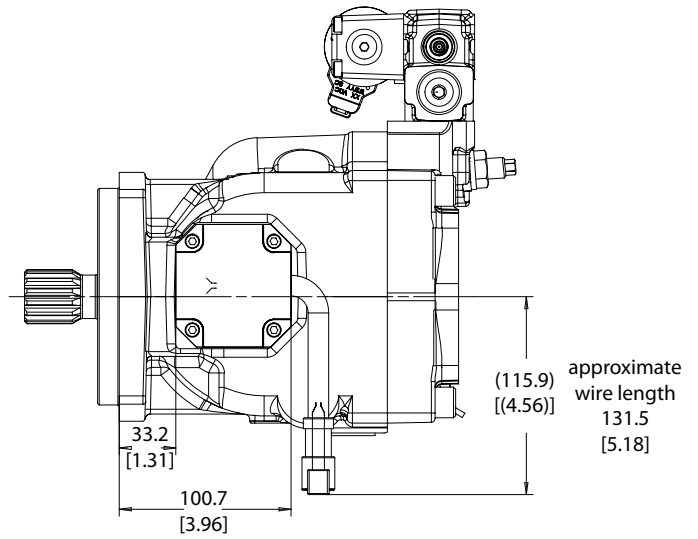
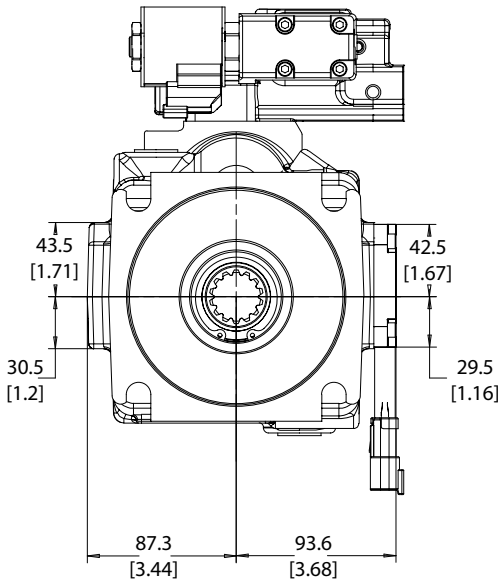
- Easy to follow service screens for programing
- 12 Pin connector can be added to current machine
- Easy tuning/ calibrations with CANBus integration for plug and perform operation
- Free downloadable and easy to follow simple service tool allows for fast prototyping and improved time to production

Technical specifications

Specification		Unit	Frame J					Frame F		Frame E		
Maximum displacement		cm ³ [in ³]	45 [2.75]	51 [3.11]	60 [3.66]	65 [3.97]	75 [4.58]	74 [4.52]	90 [5.49]	100 [6.1]	130 [7.93]	147 [8.97]
Continuous working pressure		bar [psi]	310 [4500]	310 [4500]	310 [4500]	260 [3770]	260 [3770]	310 [4500]	260 [3770]	310 [4500]	310 [4500]	260 [3770]
Maximum working pressure			400 [5800]	400 [5800]	400 [5800]	350 [5075]	350 [5075]	400 [5800]	350 [5075]	400 [5800]	400 [5800]	350 [5075]
Continuous input speed		min ⁻¹ (rpm)	2800	2700	2600	2500	2400	2400	2200	2450	2200	2100
Theoretical flow		l/min [US gal/min]	126 [33.3]	137.7 [36.4]	156 [41.2]	162 [42.9]	180 [47.5]	177.6 [46.9]	198 [52.3]	245 [64.7]	286 [75.6]	309 [81.6]
Weight*	Axial	kg [lb]	23.1 [51.0]					29.5 [65.0]		52.0 [115.0]		
	Radial		27.3 [60.2]					32.6 [71.9]		26.0 [123.3]		

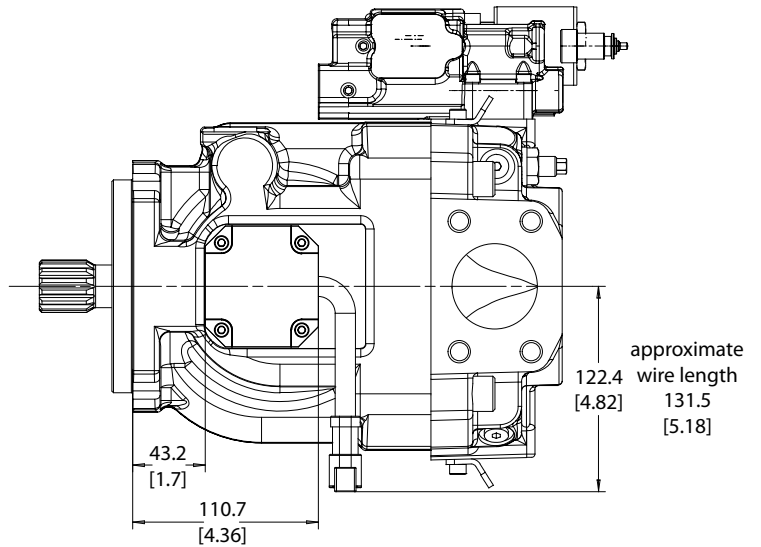
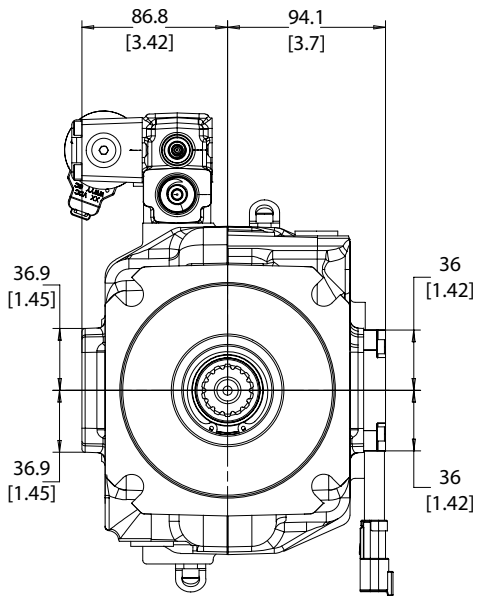
* Weight values based on CAD geometry without auxiliary flange and PC/LS control

Frame J



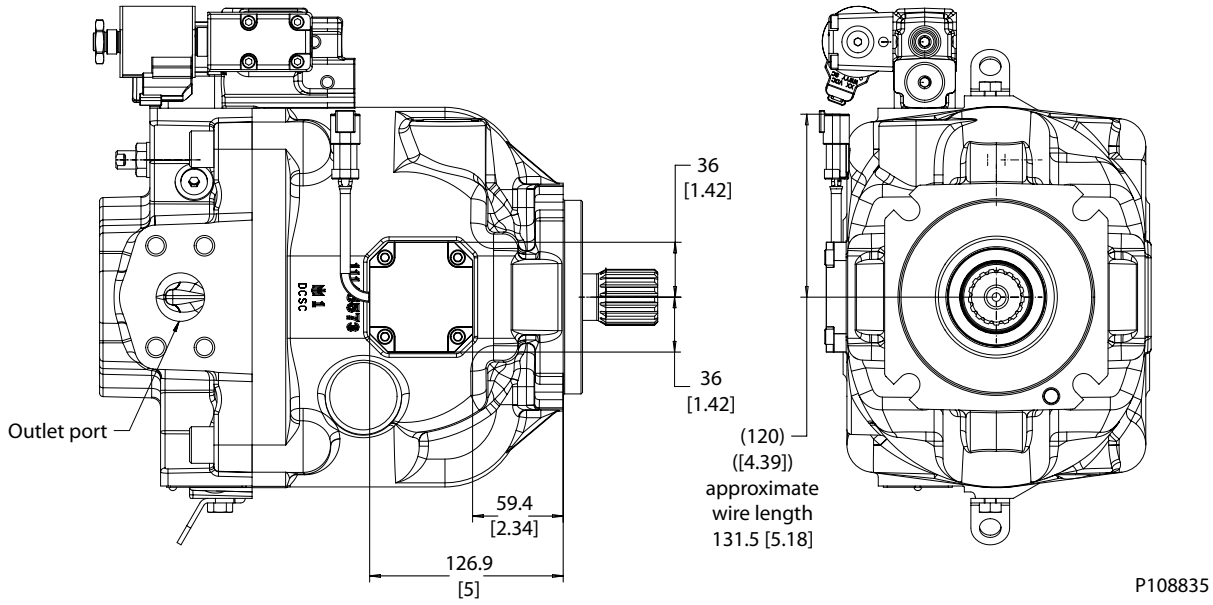
P108777

Frame F



P108778

Frame E



P108835

Danfoss can accept no responsibility for possible errors in catalogues, brochures and other printed material. Danfoss reserves the right to alter its products without notice. This also applies to products already on order provided that such alterations can be made without subsequent changes being necessary in specifications already agreed. All trademarks in this material are property of the respective companies. Danfoss and the Danfoss logotype are trademarks of Danfoss A/S. All rights reserved.