

Data Sheet

DP700 Series

PLUS+1[®] Mobile Machine Displays

The Danfoss DP700 Series is an element of the PLUS+1[®] family of mobile machine management products.

The DP700 is designed to perform in the most extreme mobile machine environments.

The DP700 offers different display options to meet your application needs.

The latest technology with backlight provides outstanding brightness and contrast performance resulting in an easy-to-read screen. Optically Bonded LCD/Lens Technology improves sunlight view-ability and prevents fogging.

Develop your own software and layout with PLUS+1[®] GUIDE. A graphic library is available for fast time-to-market.



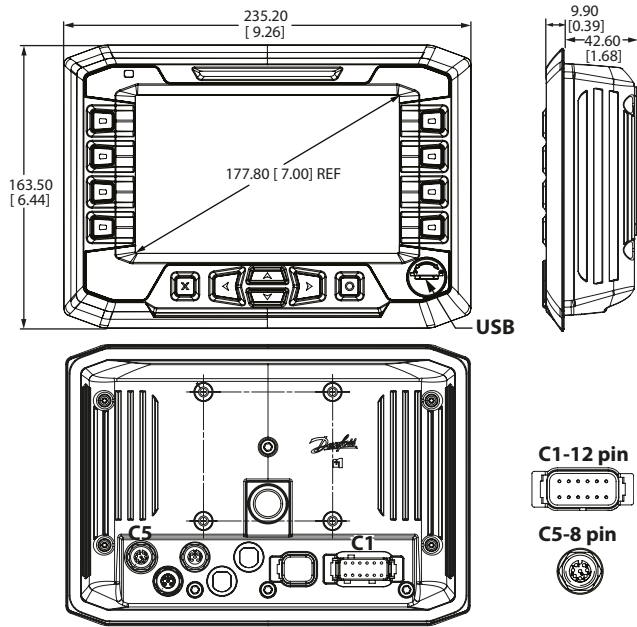
Features

- 7" High resolution TFT display 800 x 480 pixels, 18-bit colour
- Ideal for gauges, diagnostic menus, and other ancillary functions
- User-programmable with PLUS+1[®] GUIDE (Graphical User Integrated Development Environment)
- Optically bonded LCD
- Two multifunction inputs that include DIN/ AIN/FreqIN/Rheo/4-20 mA
- Fully integrated connectors and silicone keypad provide water and dust protection from all sides
- Keypad with 14 buttons (8 soft-keys and 6 buttons for navigation)
- All buttons have white backlight design for low light and night use, all are individually software controlled
- Protective glass provides superior antiglare and contrast control under all light conditions
- Two mounting options:
 - Flush mount in dashboard
 - Stand-alone post mount according to VESA standard: 75 mm x 75 mm (2.953 in x 2.953 in)
- Can be mounted in Portrait or Landscape orientation
- Software configurable LED light bar
- USB port for fast software downloads and uploads
- Integrated light sensor for automatic backlight adjustment
- LCD brightness >800/m²
- Digital output for external alarm buzzer
- CE compliant
- On board real-time clock

Comprehensive technical literature is online at www.danfoss.com

Taken from the DP700 warehouse

DP700 dimensions (mm [in]); C1, C5 connectors



two1459287089966

Pin assignments

C1—DEUTSCH DTMO6 12 pin

Pin	Function	Pins	Function
C1-P1	Power GND -	C1-P7	CAN1 Low - (AIN/DIN)
C1-P2	Power supply +	C1-P8	Sensor power (AIN/DIN)
C1-P3	CAN0 High +	C1-P9	Sensor GND
C1-P4	CAN0 Low -	C1-P10	Multifunction-input
C1-P5	CAN shield/AIN	C1-P11	Multifunction-input
C1-P6	CAN1 High + (AIN/DIN)	C1-P12	DOUT

C5—M12 8 pin

Pin	Function	Pins	Function
C5-P1	USB device V_{BUS}	C5-P5	USB host GND/RS232 GND
C5-P2	USB device data D-	C5-P6	USB host D+/RS232 RxD
C5-P3	USB device data D+	C5-P7	USB host D-/RS232 TxD
C5-P4	USB device GND	C5-P8	USB host V_{BUS}



Specifications

Processor	ARM11, 532 MHz
RAM	128 MB
FRAM	8 kB
Supply voltage / current consumption	9 to 36 V _{DC} / 1 amp at 14 V, 0.5 amp at 28 V
LCD glass	Transmissive In-Plane Switching (IPS)
Viewable area	152.40 mm x 91.40 mm [6.00 in x 3.598 in]
IP rating	IP 67
Operating temperature	-30° C to +60° C [-22° F to +140° F]
Storage temperature	-30° C to +80° C [-22° F to 176° F]
Weight	1000 g [2.2 lb]
Vibration	3.17 g
Shock	50 g
EMC	100 V/m
ESD	15 kV

Ordering information

Model features and product part numbers

A	B	C	D	E	F	G	Part number
DP700	04	01	01	02	04	01	11264179

Model features		Code	Description
A	Model name	DP700	PLUS+1 [®] Mobile Machine Displays
B	LCD options	04	Transmissive In-Plane Switching (IPS)
C	Touchscreen options	01	None
D	Input / output options	01	User configurable
			1 CAN, 2 AIN/DIN, 2 DIN/AIN/FreqIn/Rheo/4-20 mA IN, DOUT 2 CAN, 2 DIN/AIN/FreqIn/Rheo/4-20 mA IN, DOUT
E	Flash memory / application key	02	512 MB/without application key
F	USB port type	04	USB device rear/USB host rear or front
G	Application log (vault memory)	01	16 MB

Related product	Part number
Panel mounting kit	11144800
DEUTSCH 12 pin mating connector kit 20 AWG	10100944
DEUTSCH 12 pin mating connector kit 16 to 22 AWG	10102025
USB cable (with camera cable)	11130518
USB cable (device and host)	11130519