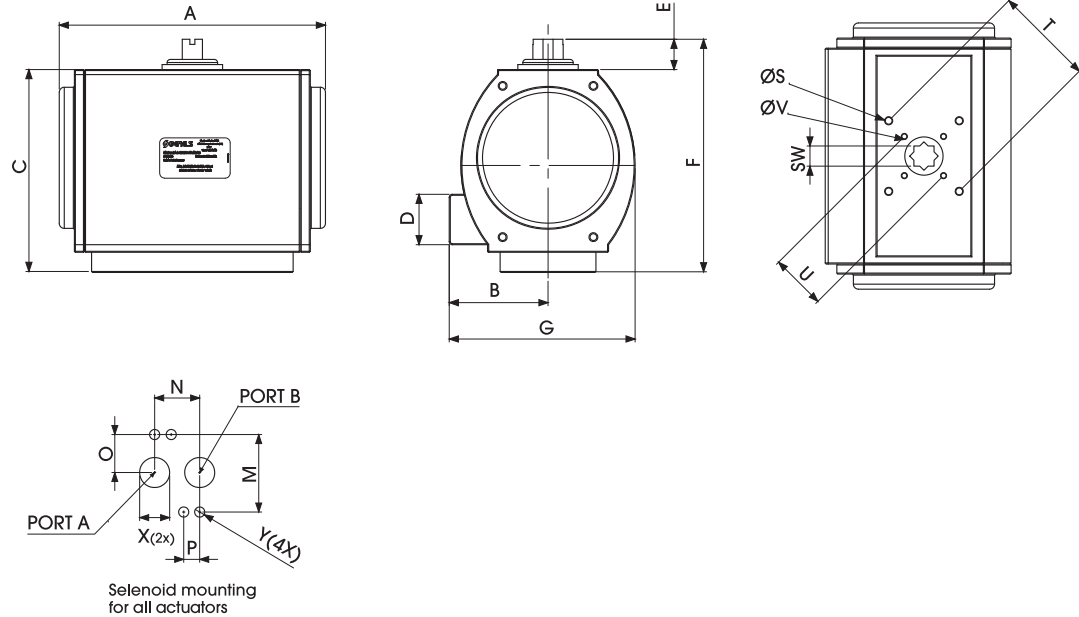


ACTUATORS DA



Basic Operating Details

- Port "A" Air to open (anti clockwise)
- Port "B" Air to close (clockwise)
- Air supply: 6 bar; maximum 7 bar
- Drive Medium = Air (Dry or lubricated); not corrosive Gas; light hydraulic oil
- Temperature= Buna nitrile o'seals -40° to 80°C or -40 to 176° F
- Standard indicator position

DA ACTUATORS (double acting)

TYPE	ISO5211	A	B	C	D	E	F	G	M	N	O	P	ØS	T	ØV	U	X	Y	SW	WEIGHT Kg	ITEM CODE
DA25	F03-F05	149,5	38	70	40	20	90	69,5	32	24	16	12	M6	50	M5	36	G ¹ / ₈ x12	M5X8	9	1	FATDA0250401SH
DA100	F05-F07	206	59	118	43	20	138	113	32	24	16	12	M8	70	M6	50	G ¹ / ₈ x12	M5X8	14	2,8	FATDA1000401SH
DA200	F05-F07	218	72	140,5	43	20	160,5	136,5	32	24	16	12	M8	70	M6	50	G ¹ / ₈ x12	M5X8	17	7,0	FATDA2000401SH
DA375	F07-F10	266	78	166,5	43	30	196,5	156	32	24	16	12	M10	102	M8	70	G ¹ / ₄ x12	M5X8	22	10,5	FATDA3750401SH
DA825	F10-F12	340	95,5	207,5	43	30	237,5	191	32	24	16	12	M12	125	M10	102	G ¹ / ₄ x12	M5X8	27	22,4	FATDA8250401SH

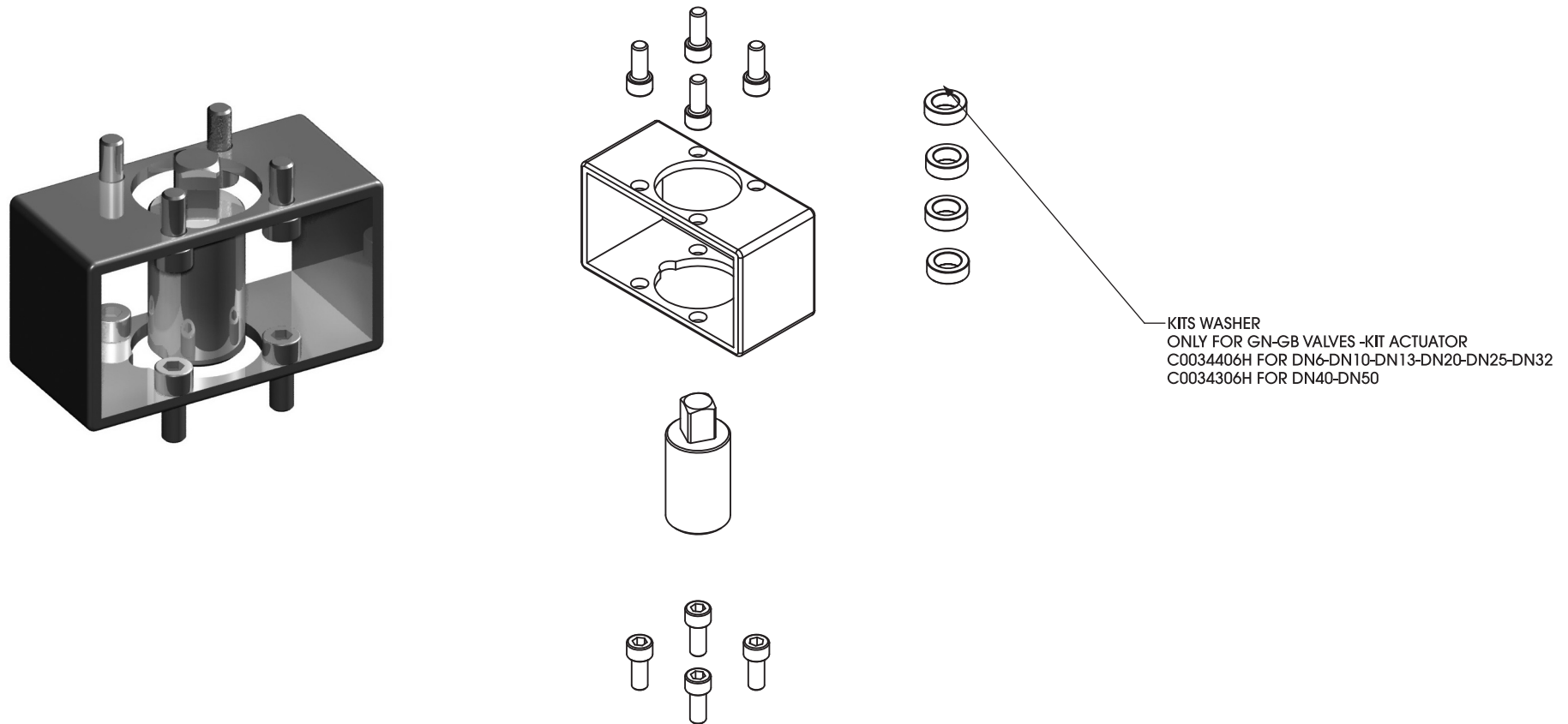
VALVES WITH DA ACTUATORS

TYPE	BALL VALVES	DN
DA25	GE-GHP-GN-GR-SB	06-10-13
DA100	GE-GHP-GN-GR-SB	20-25
DA200	GB-GHP-GN-GR-SB	32-40
DA375	GB-GHP-GN-GR-SB	50-65-80
DA825	GR-SB	100-125

DA ACTUATORS TORQUE MOMENT

TYPE	AIR SUPPLY	N/m
DA25	6 BAR	23,7
DA100	6 BAR	101,5
DA200	6 BAR	201,9
DA375	6 BAR	374
DA825	6 BAR	824

"The company reserves the right to operate dimensional changes without prior notice".

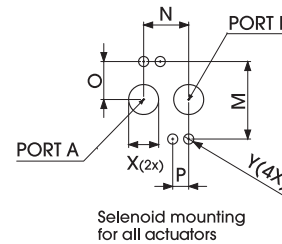
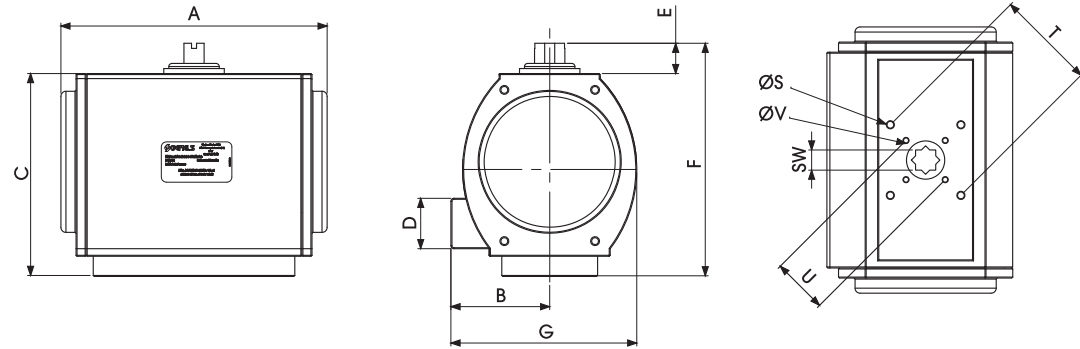


DA ACTUATORS KITS

TYPE	BALL VALVES	DN	MATERIAL	ISO5211	WHEIGHT Kg	ITEM CODE
AK6	GE-GHP-GN-GR-SB	06-10-13	CARBON STEEL	F03	0,23	KOC00AK61X
AK20	GE-GB-GHP-GN-GR-SB	20-25	CARBON STEEL	F05-F07	0,31	KOC00AK201X
AK40	GB-GHP-GN-GR-SB	32-40	CARBON STEEL	F05-F07	0,31	KOC00AK401X
AK50	GB-GHP-GN-GR-SB	50	CARBON STEEL	F05-F07-F10	0,63	KOC00AK501X
AK65	GR-SB	65-80	CARBON STEEL	F07-F10	0,85	KOC00AK651X
AK100	GR-SB	100-125	CARBON STEEL	F10-F12	1	KOC00AK1001X

"The company reserves the right to operate dimensional changes without prior notice".

ACTUATORS SR



Basic Operating Details

- Port "A" Air to open (anti clockwise compressing spring)
- Port "B" Spring to close (clockwise)
- Air supply: 6 bar; maximum 7 bar
- Drive Medium = Air (Dry or lubricated); not corrosive Gas; light hydraulic oil
- Temperature = Buna nitrile o'seals -40° to 80°C or -40° to 176° F
- Standard indicator position

SR ACTUATORS (spring return)

TYPE	ISO5211	A	B	C	D	E	F	G	M	N	O	P	ØS	T	ØV	U	X	Y	SW	WEIGHT Kg	ITEM CODE
SR25	F03-F05	149,5	38	70	40	20	90	69,5	32	24	16	12	M6	50	M5	36	G1/8 x12	M5x8	9	1	FATSR0250401SH
SR50	F05-F07	185	49	87	40	20	107	90,5	32	24	16	12	M8	70	M6	50	G1/8 x12	M5x8	11	1,9	FATSR0500401SH
SR100	F05-F07	206	59	118	43	20	138	113	32	24	16	12	M8	70	M6	50	G1/8 x12	M5x8	14	2,8	FATSR1000401SH
SR200	F05-F07	218	72	140,5	43	20	160,5	136,5	32	24	16	12	M8	70	M6	50	G1/4 x12	M5x8	17	7	FATSR2000401SH
SR375	F07-F10	266	78	166,5	43	30	196,5	156	32	24	16	12	M10	102	M8	70	G1/4 x12	M5x8	22	10,5	FATSR3750401SH
SR600	F10-F12	312	95,5	207,5	43	30	237,5	191	32	24	16	12	M12	125	M10	102	G1/4x12	M5x8	27	20,6	FATSR6000401SH
SR825	F10-F12	340	95,5	207,5	43	30	237,5	191	32	24	16	12	M12	125	M10	102	G1/4 x12	M5x8	27	22,4	FATSR8250401SH

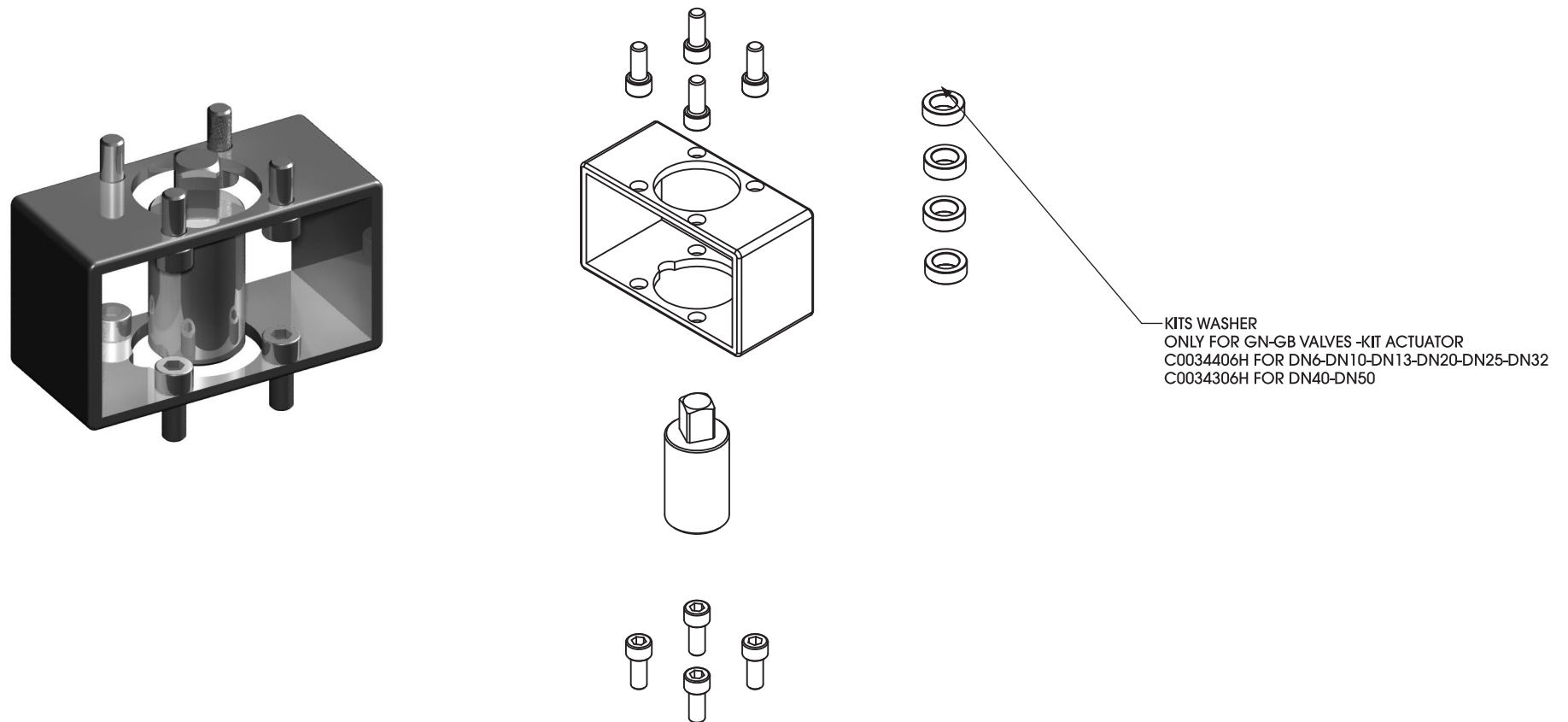
VALVES WITH SR ACTUATORS

TYPE	BALL VALVES	DN
SR25	GE-GHP-GN-GR-SB	06-10
SR50	GE-GHP-GN-GR-SB	13
SR100	GE-GB-GHP-GN-GR-SB	20-25
SR200	GB-GHP-GN-GR-SB	32-40
SR375	GB-GHP-GN-GR-SB	50-65-80
SR600	GB-GHP-GN-GR-SB	100 (LOW PRESSURE)
SR825	GR-SB	100-125

SR ACTUATORS TORQUE MOMENT

TYPE	AIR SUPPLY	AIR-START N/m	AIR-END N/m	SPRING-START N/m	SPRING-END N/m	N°SPRING
SR25	6 BAR	16,3	9,3	14,41	7,37	11
SR50	6 BAR	327,7	18,1	32,64	18	12
SR100	6 BAR	61,4	40,1	61,3	40	12
SR200	6 BAR	130,33	71,73	130,2	71,6	4X4
SR375	6 BAR	241,54	132,98	241,2	132,64	4X4
SR600	6 BAR	385,20	212,1	384,6	211,5	4X4
SR825	6 BAR	533	294	531	292	4X4

"The company reserves the right to operate dimensional changes without prior notice".



SR ACTUATORS KITS

TYPE	BALL VALVES	DN	MATERIAL	ISO5211	WHEIGHT Kg	ITEM CODE
AK6	GE-GHP-GN-GR-SB	06-10-13	CARBON STEEL	F03	0,23	KOC00AK61X
AK20	GE-GB-GHP-GN-GR-SB	20-25	CARBON STEEL	F05-F07	0,31	KOC00AK201X
AK40	GB-GHP-GN-GR-SB	32-40	CARBON STEEL	F05-F07	0,31	KOC00AK421X
AK50	GB-GHP-GN-GR-SB	50	CARBON STEEL	F05-F07-F10	0,63	KOC00AK501X
AK65	GR-SB	65-80	CARBON STEEL	F07-F10	0,85	KOC00AK651X
AK100	GR-SB	100-125	CARBON STEEL	F10-F12	1	KOC00AK1001X

"The company reserves the right to operate dimensional changes without prior notice".