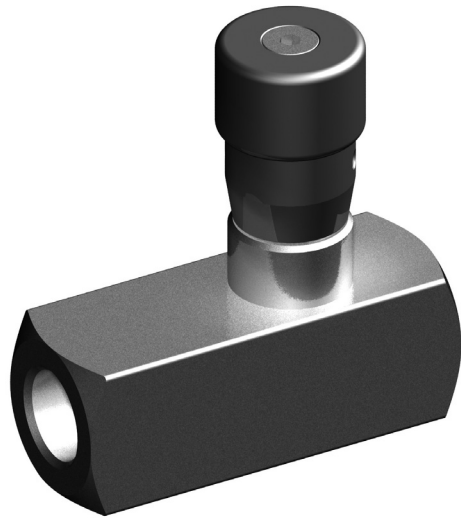


Stainless Steel

RF FLOW CONTROL



RF G 1/2 SS

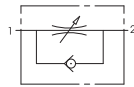
Type RF flow control

Valves dimension of inch

DIN/ISO 228	ANSI/ASME B1.20.1 NPT
G 1/8	N 1/8
G 1/4	N 1/4
G 3/8	N 3/8
G 1/2	N 1/2
G 3/4	N 3/4
G 1" 1/4	N 1" 1/4
G 1" 1/2	N 1" 1/2
G 2"	N 2"

Material SS Stainless steel

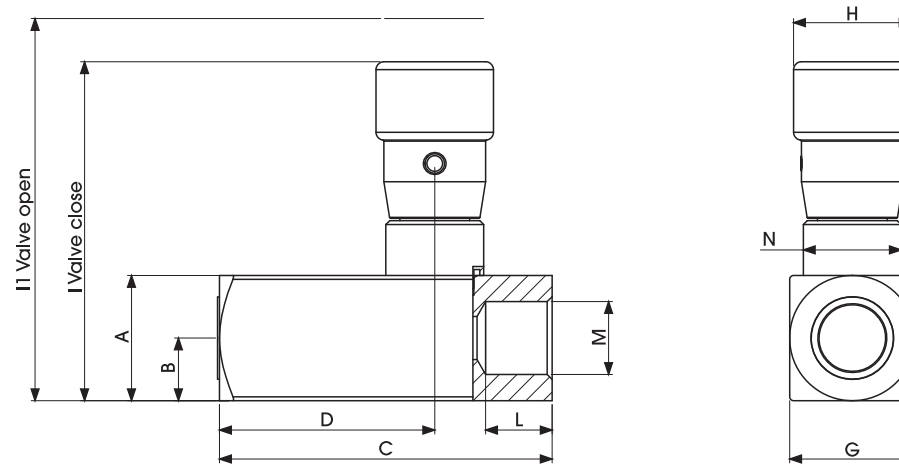
REGULAR FLOW



Specifications

- Type: check valve RF
- Body: square
- Material: 1,4404/1,4404
- Ball seats: from 1/4 to 2"
- Operating pressure: PN 350
- Temp range: -60°C to +230°C depending at material selected

"The company reserves the right to operate dimensional changes without prior notice".

**RF DIN ISO 228 BSP**

Standard

TYPE	PN	DN	A	B	C	D	G	H	I	II	L	M	N	WEIGHT Kg	ITEM CODE
RF G 1/4	35 Mpa	6	20	10	66	43	20	30	76	83	15,5	G 1/4	M20X1.5	0,303	GF2GGT130440000
RF G 3/8	35 Mpa	10	25	12,5	70	48,5	25	30	80,5	87,5	15,5	G 3/8	M22X1.5	0,411	GF2GGT230440000
RF G 1/2	35 Mpa	13	32	16	85	57	32	30	86,6	93	17	G 1/2	M28X1.5	0,696	GF2GGT330440000
RF G 3/4	35 MPa	20	38	19	99	66	38	52	120	129	21	G 3/4	M35X1.5	1,388	GF2GGT430440000
RF G 1"	35 Mpa	25	45	22,5	118	79	45	52	125,5	134,5	24	G 1"	M35X1.5	1,94	GF2GGT530440000
RF G 1" 1/4	35 Mpa	32	55	27,5	147	103	55	62	163	173	24	G 1" 1/4	M40X1.5	3,586	GF2GGT630440000
RF G 1" 1/2	35 Mpa	40	70	35	160	116	70	62	175	185	24	G 1" 1/2	M45X1.5	5,75	GF2GGT730440000
RF G 2"	35 Mpa	50	90	45	193	125	90	62	196,5	206	27	G 2"	M52X1.5	10,631	GF2GGT830440000

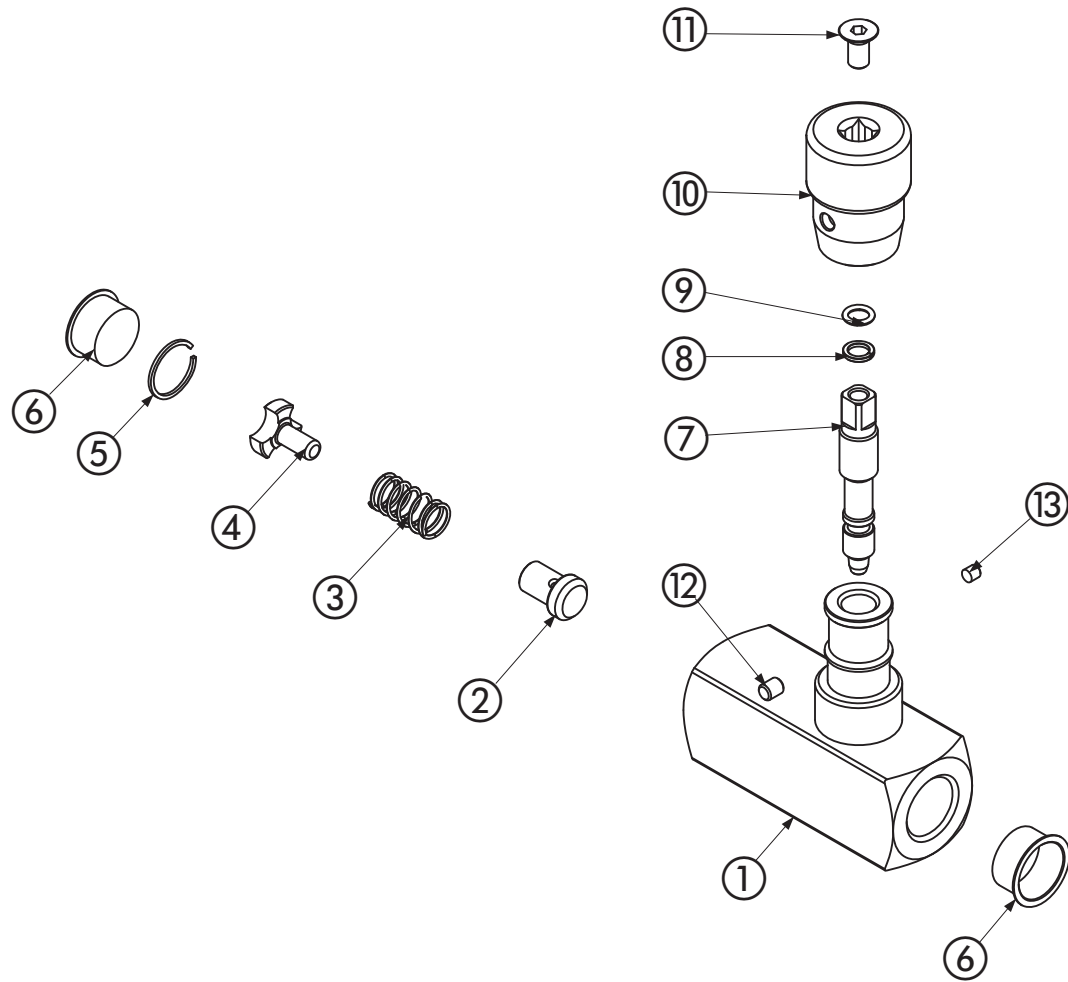
RF ANSI/ASME B1.20.1**NPT**

Standard

TYPE	PN	DN	A	B	C	D	G	H	I	II	L	M	N	WEIGHT Kg	ITEM CODE
RF N 1/4	35 Mpa	6	20	10	66	43	20	30	76	83	15,5	N 1/4	M20X1.5	0,303	GF2NNT130440000
RF N 3/8	35 Mpa	10	25	12,5	70	48,5	25	30	80,5	87,5	15,5	N 3/8	M22X1.5	0,411	GF2NNT230440000
RF N 1/2	35 Mpa	13	32	16	85	57	32	30	86,6	93	17	N 1/2	M28X1.5	0,696	GF2NNT330440000
RF N 3/4	35 MPa	20	38	19	99	66	38	52	120	129	21	N 3/4	M35X1.5	1,388	GF2NNT430440000
RF N 1"	35 Mpa	25	45	22,5	118	79	45	52	125,5	134,5	24	N 1"	M35X1.5	1,94	GF2NNT530440000
RF N 1" 1/4	35 Mpa	32	55	27,5	147	103	55	62	163	173	24	N 1" 1/4	M40X1.5	3,586	GF2NNT630440000
RF N 1" 1/2	35 Mpa	40	70	35	160	116	70	62	175	185	24	N 1" 1/2	M45X1.5	5,75	GF2NNT730440000
RF N 2"	35 Mpa	50	90	45	193	125	90	62	196,5	206	27	N 2"	M52X1.5	10,631	GF2NNT830440000

"The company reserves the right to operate dimensional changes without prior notice".

RF FLOW CONTROL



Pos	Description	Material	Q.tà
1	Body	1,4404	1
2	Poppet	1,4404	1
3	Spring	1,0116	1
4	Spring ring	X 35 Cr Mo 17	1
5	Seeger	X 35 Cr Mo 17	1
6	Caps	PVC	2
7	Stem	1,4404	1
8	Stem o-ring	NBR	1
9	Stem ring	PTFE	1
10	Handle	ALLUMINIUM	1
11	Screw	DIN 7991 A2	1
12	Spine	1,4301	1
13	Screw	DIN 7991 8A2	1

On request

- Special Threads
- Pressure Class PN 350
- Spring closed: 1BAR - 3BAR - 5BAR - 8BAR

• For further special requests please consult our technical/commercial service

"The company reserves the right to operate dimensional changes without prior notice".