

OFFICE & FURNITURE



OVERVIEW



Jiecang is the leading Chinese manufacturer of Linear Actuators with the priority of quality and innovation. Since the founding of our company in 2000, JIECANG have gained a reputation for the linear actuator systems in the sectors of Medical, Office, Furniture and other industry markets.

In 2000, JIECANG supplied the linear actuator systems for hospital beds.

In 2005, JIECANG developed the lifting systems for office tables and actuator systems for furniture market.

In 2008, JIECANG launched the first actuator for industry market.

Now, most of the JIECANG actuators are approved as the safety and good quality products all of the worlds.



Jiecang control virtually all production process in house, from injection moulding, machining and soldering, through to final assembly. Each product is tested 100% before shipment.



ISO9001:2008

ISO14001:2004

CONTENT



DUAL MOTOR SYSTEM FOR COMFORT BED04



ACTUATOR SYSTEM FOR RELAX CHAIR06



COLUMN FOR ADJUSTABLE TABLE08



COLUMN FOR ADJUSTABLE TABLE10



TV LIFT12



ACCESSORIES14

COMFORT BED SYSTEM



● Dual motor JC35S



- Load capacity up to 6000N * 2
- SMPS built-in or separately, less than 0.5W
- 2x9v battery for emergency release
- CE and EN60601-1 certificate (for furniture and medical application)

● Hand control JCHQ35



- 6 buttons for 2 drives
- With hook (option)

● RF remote JCHR35C



- Can control 2 actuators and 2 massage motors
- Memory function
- Background light

● Night Light JCP35E-LED



- LED night light
- Light yellow color

● Massage Motor JCP35M-DC



- Maintenance free 24VDC motor
- Big massage motor for mounting underneath the mattress

RELAX CHAIR SYSTEM



SMPS

Hand control
Special design for
Upholstered furniture

**RF remote and
receiver**

Control box

Actuators
providing strong and
fast adjusting

● Linear Actuators



JC35D

- Max. load: 6000N
- Max. speed: 42mm/s
- Option: Hall sensor, Reed switch



JC35L

- Max. load: 4000N
- Max. speed: 60mm/s
- Option: Hall sensor feedback



JC35DF

- Max. load: 6000N
- Max. speed: 42mm/s
- Option: Hall sensor, Reed switch, Only push no pull

● SMPS JCP35PA-50



- 100-240 VAC input (50-60Hz)
- Constant voltage output 29VDC/2A
- Standby consumption less than 0.5W

● Control box JCB1-04



- Connections for drivers: 1-4
- Connections for hand controls: 1
- External DC power supply

● Hand control JCHC35B



- 2 drives with 4 buttons
- Brushed aluminum surface design
- Relay free version (option)

● RF Remote JCHR35E Receiver JCP35E-RF



- 2 drives
- RF remote

ADJUSTABLE TABLE



● Column JC35EFY

- Load capacity: 800N push
- Hall sensor for memory function
- Speed up to 22mm/s



● SMPS JCP35PA-50



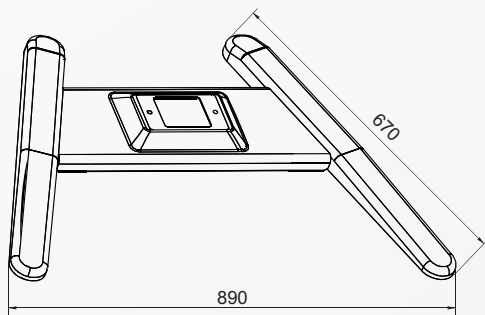
- 100-240 VAC input (50-60Hz)
- Constant voltage output 29VDC/2A
- Standby consumption less than 0.5W

● Hand control JCHT35H

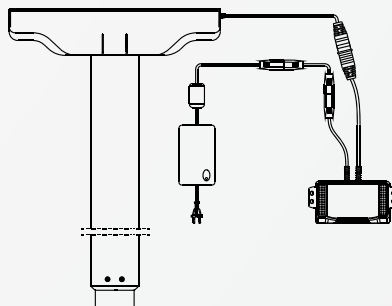


- Combined the control box inside
- 2 buttons with soft start and stop
- Black color

● Foot base



● System connection



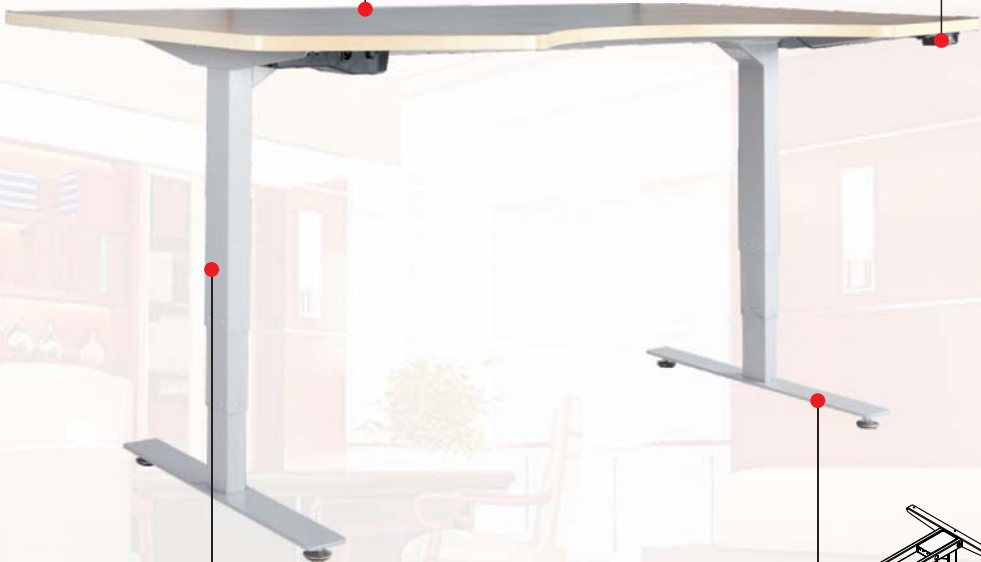
ADJUSTABLE TABLE



Control box
with intelligent function, soft start and stop and automatic positioning possible



Hand controls
from our great variety of different designs you can choose just the one you like



Columns
Many surface options:
-black, white, grey
-nickel, chrome



Table shaft
Can be customized made

● Column JC36D4 (or JC35ED2/JC35ED3)



- 800N load capacity for each column with Hall sensors
- Speed up to 38mm/s (3 segments columns)

● Handset JCHM35



- 2 buttons and small design

● Handset JCHT35



- 2 or 4 buttons

● Handset JCHT35J



- 4 memory positions and LED height display

● Control box JCB35J



- Drivers: 1-3 drivers synchronized movement
- Hand controls: 1

● Dimension

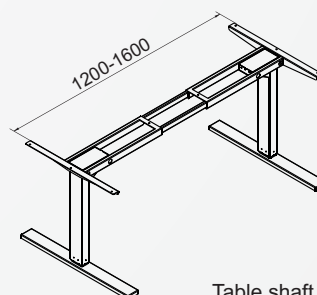


Table shaft dimension

TV LIFT



● TV lift JC35VT



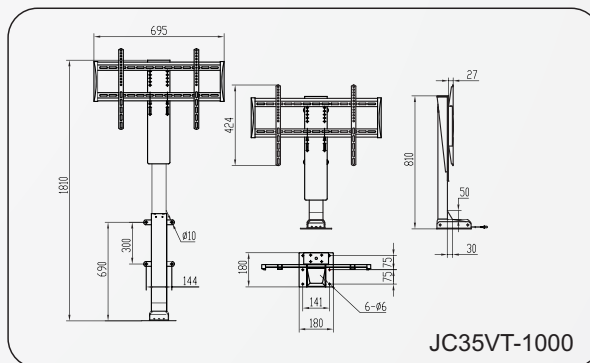
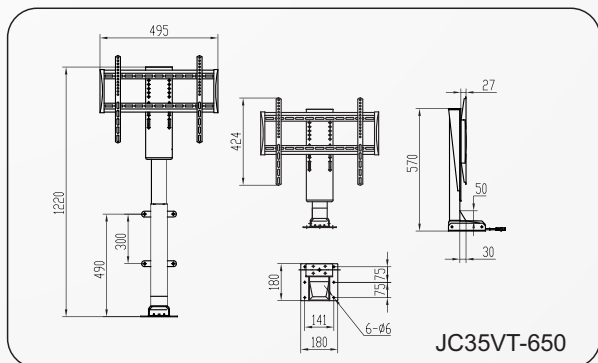
Remote



Control box

- Max. load: 600N
- Speed: 25mm/s
- Stroke: 650mm and 1000mm, 2 types. adjustable after factory

● Dimensions



ACCESSORIES

● HAND CONTROLS



JCHB35

- For armrest mounting
- 1 drive with 2 buttons



JCHC35-1

- For armrest mounting
- 1 drive with 2 buttons
- Relay free version (option)



JCHC35-2

- For armrest mounting
- 2 drives with 4 buttons
- Relay free version (option)



JCHC35A

- 1 drive with 2 buttons
- Modern design, brushed metal housing
- Relay free version (option)



JCHF35

- 1-2 drivers (6 buttons)
- With hook (option)



JCHK35

- 1-2 drives
- Relay free version (option)
- With hook (option)



JCHS35

- Max. 4 drivers with 8 buttons
- Relay free version (option)



JCHX35

- 1-2 drivers
- With hook (option)



JCHQ35

- Nice designed for dual motor
- With hook

● REMOTES



JCHR35B

- 1-2 drives
- RF remote



JCHR35E

- 1-3 drives
- RF remote



JCHR35-IR

- 1-2 drives
- IR remote

● MISCELLANEOUS



SMPS JCP35PA-40

- Standby consumption less than 0.5W
- 100-240 VAC input (50-60Hz)
- Constant voltage output 29VDC/1.5A
- Wall-plug power supply
- Overload protection



SMPS JCP35PA-50B

- Standby consumption less than 0.5W
- 100-240 VAC input (50-60Hz)
- Constant voltage output 29VDC/3A
- 2×9V batteries for emergency
- Overload protection



Lithium Battery box JCP35B-18

- Constant voltage output 29VDC/3A
- Built-in charger
- Overload protection



Massage motor JCP35M-DC2

- Maintenance free 24VDC motor
- Small massage motor which can be parallel connected for special application



Control box JCR35-2

- Drivers: 1-2
- Hand control: 1
- External DC power supply



JIECANG

JIECANG
LINEAR MOTION

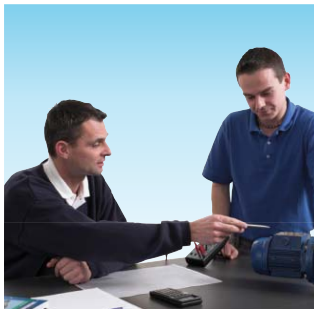
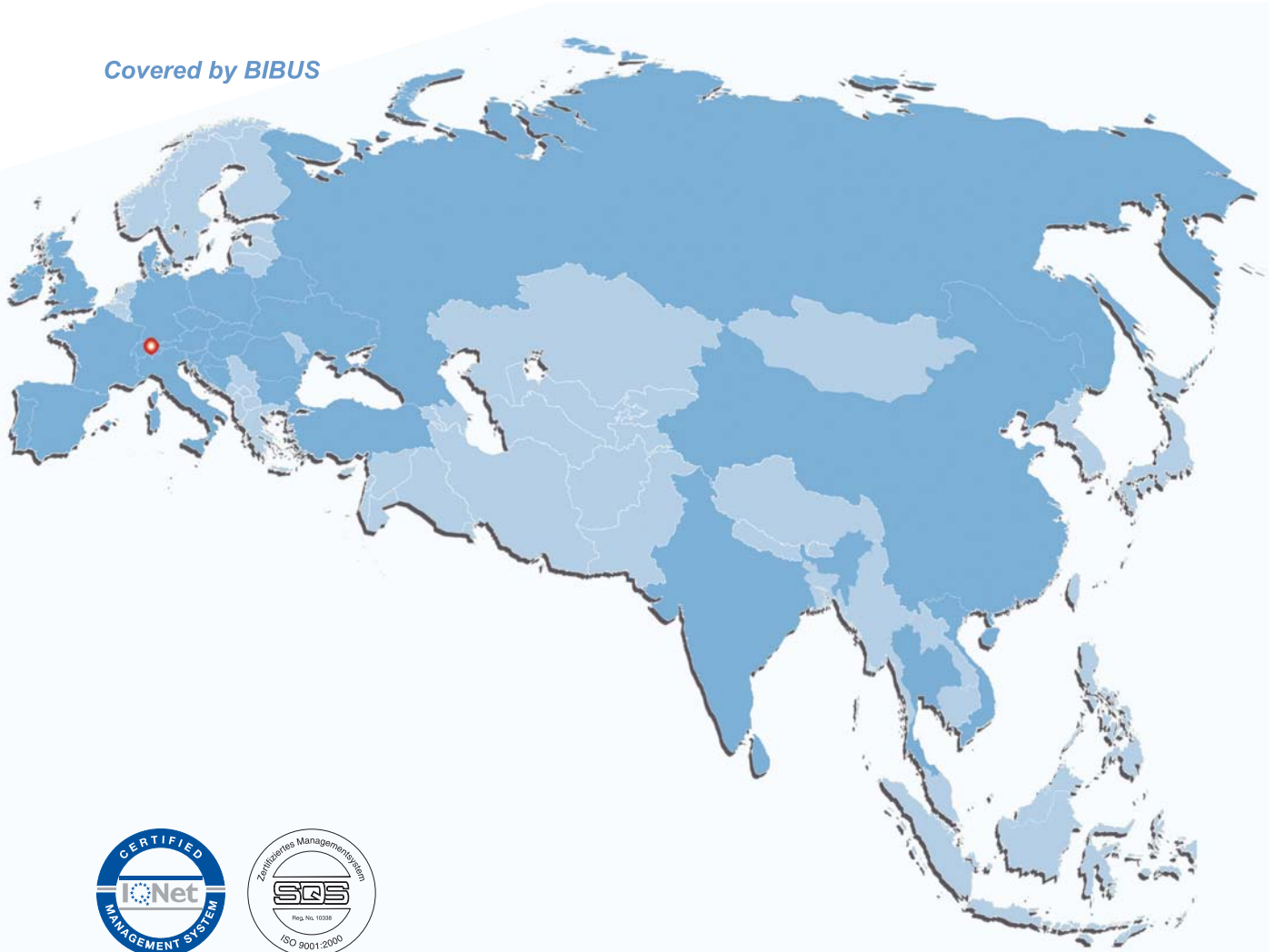


Sales Network

www.bibus-technology.com

The BIBUS sales network is the link between our manufacturing plants and the customers. Jiechang co-operates with experienced product managers from BIBUS on their local markets. Many years of trading partnerships are based on continuity and trust. In this way we achieve the best possible conditions for our customers. The BIBUS core competences are Engineering, Logistics and Service. Over 70 years of experience in the areas of mechatronics, pneumatics, hydraulics, and environmental technology have made BIBUS to one of the leading product and solution provider in Europe.

Covered by BIBUS



BIBUS locations

 *Switzerland Headquarter*


BIBUS AG

Allmendstrasse 26
8320 Fehraltorf
Switzerland
Tel. +41 44 877 50 11
E-mail: info.bag@bibus.ch
www.bibus.ch

 *Austria*


BIBUS Austria GmbH

Eduard Klinger-Strasse 12
AT-3423 St. Andrä-Wördern
Tel. +43 2242 33 388
E-mail: info@bibus.at
www.bibus.at

 *Belarus*

BIBUS (BY) COOO

8th Per. Ilyicha 13a, office 2.1
BY-246013 Gomel
Tel. +375 232 39 09 10
E-mail: info@bibus.by
www.bibus.by

 *Bulgaria*

BIBUS Bulgaria Ltd.

2 Blvd. Prof. Tzvetan Lazarov, Floor 2
1574 SOFIA
Tel. +359 2 971 98 08
E-mail: info@bibus.bg
www.bibus.bg

 *Croatia*

BIBUS Zagreb d.o.o.

Anina 91
HR-10000 Zagreb
Tel. +385 1 381 80 04
E-mail: bibus@bibus.hr
www.bibus.hr

 *Czech Republic*

BIBUS s.r.o.

Videnska 125
CZ-639 27 Brno
Tel. +420 5 47 125 300
E-mail: bibus@bibus.cz
www.bibus.cz

 *Denmark*

A/S H. SINDBY & Co

Edisonvej 11
DK-7100 Vejle
Tel. +45 75 88 21 22
E-mail: sindby@sindby.dk
www.sindby.dk

 *France*


BIBUS France S.A.S.

ZI du Chapotin
233, rue des Frères Voisin
FR-69970 Chaponnay
Tel. +33 4 7896 80 00
E-mail: contact@bibusfrance.fr
www.bibusfrance.fr

 *Germany*

BIBUS GmbH

Lise-Meitner-Ring 13
DE-89231 Neu-Ulm
Tel. +49 731 20 76 90
E-mail: info@bibus.de
www.bibus.de

 *Great Britain*

BIBUS (UK) Ltd

20 Soho Mills
GB-Wooburn Green HP10 0PF
Tel. +44 1628 533 300
E-mail: info@bibus.co.uk
www.bibus.co.uk

 *Hungary*

BIBUS Kft

Ujhegyi ut 2
HU-1103 Budapest
Tel. +36 1 265 27 33
E-mail: info@bibus.hu
www.bibus.hu

 *India*

BIBUS Horizon Ltd

Yelahanka New Town
IN-Bangalore - 560 106
Tel. +91 80 4204 35 02
E-mail: info@bibus.in
www.bibus.in

 *Italy*

BIBUS Italia Srl

Via dell'Industria 24 - 26
IT-40050 Argelato (BO)
Tel. +39 333 694 44 80
E-mail: info@bibus.it
www.bibus.it

 *Poland*

BIBUS MENOS Sp. z o.o.

ul. Spadochroniarzy 18
PL-80-298 Gdansk
Tel. +48 58 660 95 70
E-mail: info@bibusmenos.pl
www.bibusmenos.pl

 *Portugal*

BIBUS Portugal, Lda

Rua 5 de Outubro, 5026
PT-4465-079 S.M. Infesta, Porto
Tel. +351 22 906 50 50
E-mail: info@bibus.pt
www.bibus.pt

 *Romania*


BIBUS SES SRL

Pestalozzi Street 22
RO-300155 Timisoara
Tel. +40 256 200 500
E-mail: office@bibus.ro
www.bibus.ro

 *Russia*


BIBUS o.o.o.

Izmailovsky prospect 2A
RU-190005 St. Petersburg
Tel. +7 812 251 62 71
E-mail: info@bibus.ru
www.bibus.ru

 *Slovakia*

BIBUS SK s.r.o.

Trnavska 31
949 01 Nitra
Tel. +421 37 777 79 11
E-mail: sale@bibus.sk
www.bibus.sk

 *Slovenia*

INOTEH d.o.o.

K Železnici 7
SI-2345 Bistrica ob Dravi
Tel. +386 2 665 11 31
E-mail: info@inoteh.si
www.inoteh.si

 *Spain*

BIBUS SPAIN, S.L.

Poligono Industrial Porto do Molle
Rua do Arroncal Vial C-Nave 4A
36350 Nigran
Tel. +34 986 24 72 86
E-mail: info@bibus.es
www.bibus.es

 *Thailand*

BIBUS THAILAND Company Ltd

68/4-5 Moo 4 Tiwanont Road
Banmai, Muang District
TH-12000 Patumthanee
Tel. +66 2 963 91 22

 *Turkey*

BIBUS Otomasyon San. ve

Tic. Ltd. Sti.

Hadi Nasir Hani No. 49 Kat: 2
TR-34425 KARAKÖY / ISTANBUL
Tel. +90 212 293 82 00
E-mail: info@bibus.com.tr
www.bibus.com.tr

 *Ukraine*

BIBUS Ukraine TOV

Ul. Mashinobudivnykiv 5a
UA-08162 Chabany, Kyiv region
Tel. +380 44 545 44 04
E-mail: info@bibus.com.ua
www.bibus.com.ua

 *Vietnam*

BIBUS Vietnam Co Ltd.

80 NGUYEN Tât Thanh Street, District 4
Ho Chi Minh City
Tel. +84 4 626 164 11
E-mail: info@bibus.vn
www.bibus.vn

Passion for quality, excellence in motion.

ZHEJIANG JIECANG LINEAR MOTION TECHNOLOGY CO.,LTD

Addr: Provincial High Tech Park, Xinchang County,
Zhejiang Province, China

Post code: 312500

Tel: +86-575-86298598

Fax: +86-575-86297960

Web: www.jiecang.com

All designs, dimensions and specifications are subject
to change without notice. © jiecang 2013