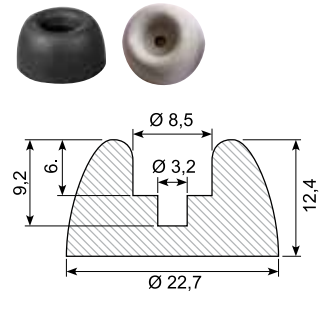
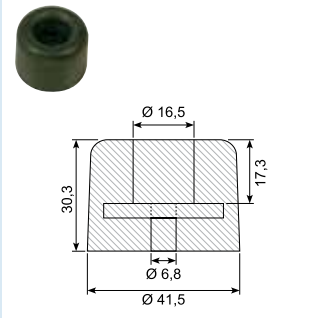


39.171J / 39.171G



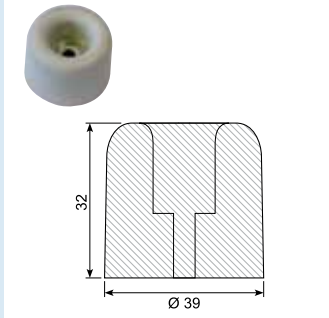
Material: Black
39.171G: Light grey

39.175J



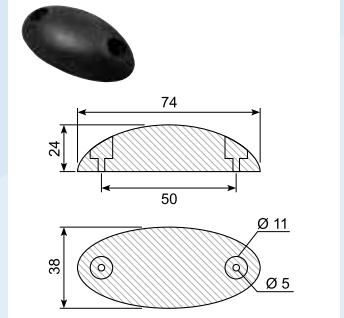
Material: Black NR
Hardness: 78

39.175H *



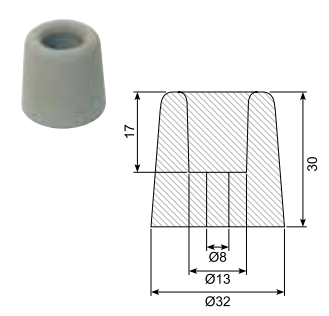
Min. order: 2.000 pcs.

39.632J



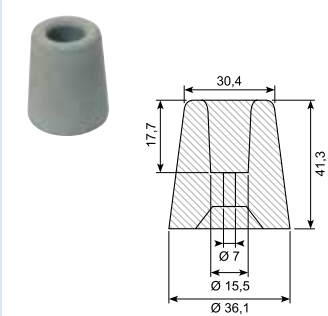
Material: Black

39.167G



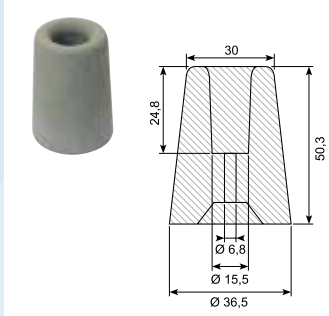
Grey rubber buffer

39.168G



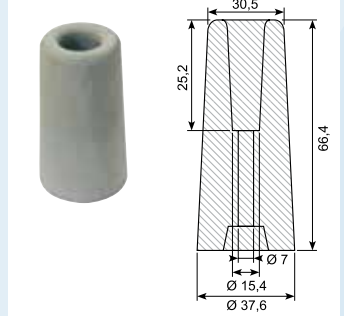
Grey rubber buffer

39.169G



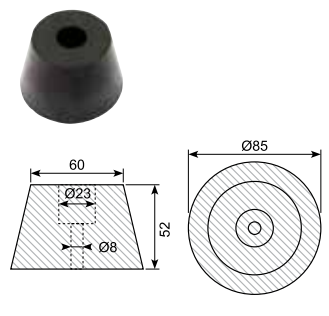
Grey rubber buffer

39.170G



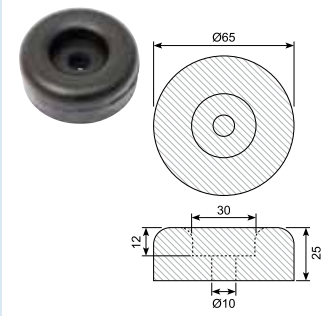
Grey rubber buffer

39.174



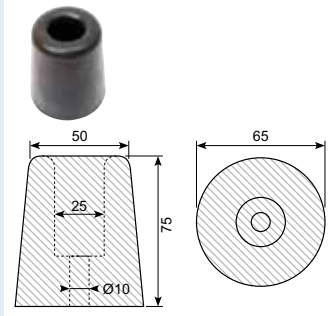
Material: Black NR / SBR

39.177



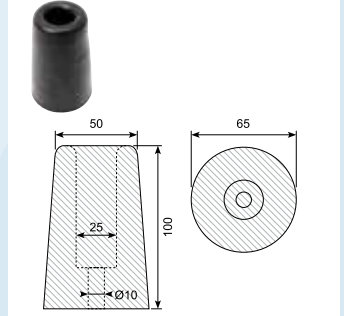
Material: Black NR / SBR

39.178



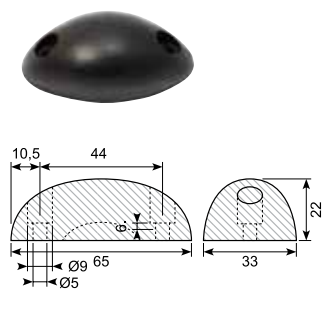
Material: Black NR / SBR

39.179



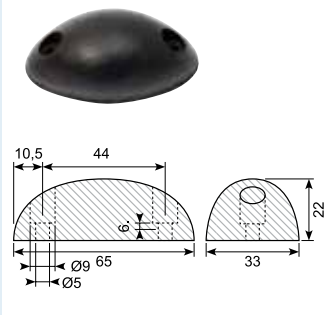
Material: Black NR / SBR

39.632A



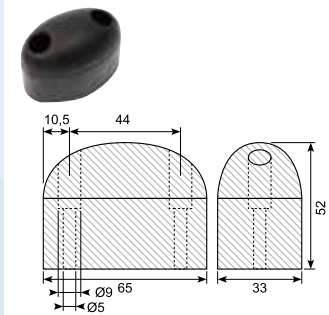
Material: Black NR / SBR

39.632B



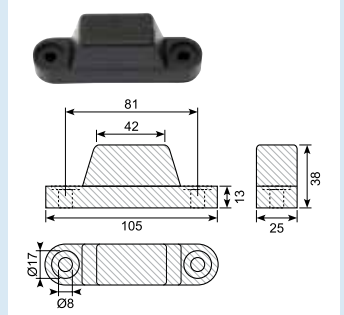
Material: Black NR / SBR

39.632C



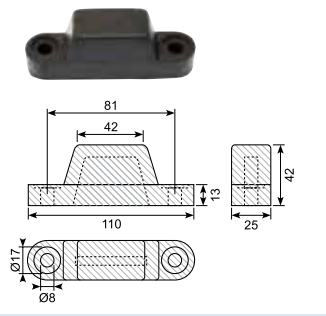
Material: Black NR / SBR

39.172



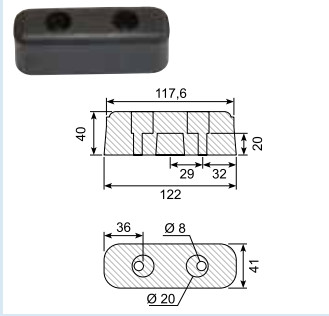
Material: Black NR / SBR

39.173



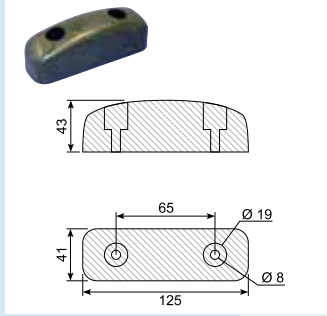
Material: Black NR / SBR

39.626J



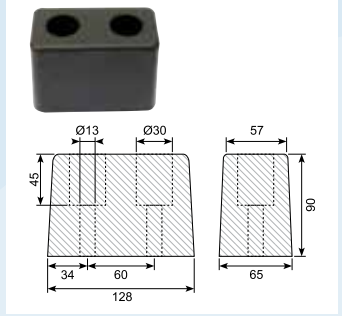
Material: Black NR
Hardness: SH 85

39.637



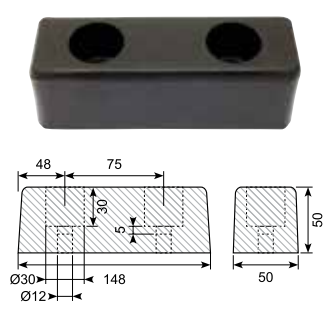
Vehicle bumper
Material: Black NR / SBR

39.625



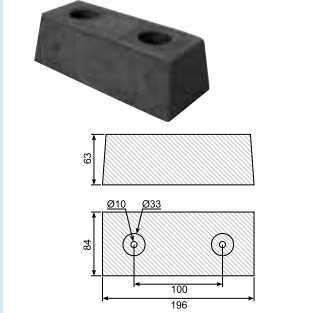
Material: NR / SBR

39.624



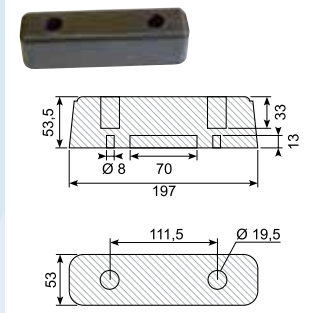
Material: Black NR / SBR

39.623J



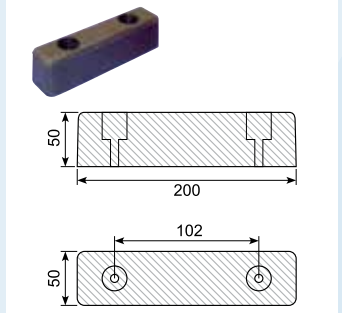
Rubber buffer, slightly conical
Material: NR

39.620J



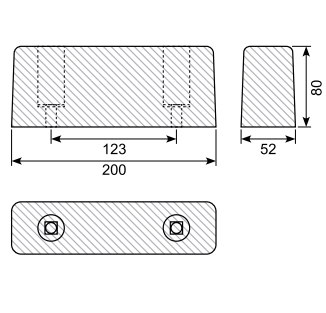
Rubber buffer with washers
Material: Black NR
Hardness: SH 85

39.638



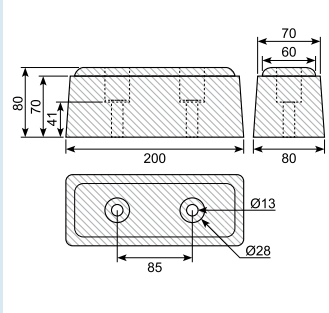
Vehicle bumper
Material: Black NR / SBR

39.181061



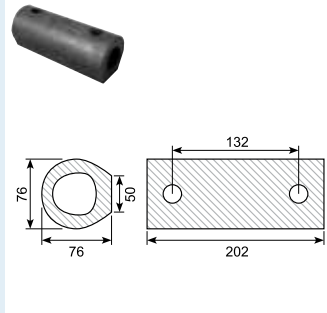
Material: NR/SBR

39.181052



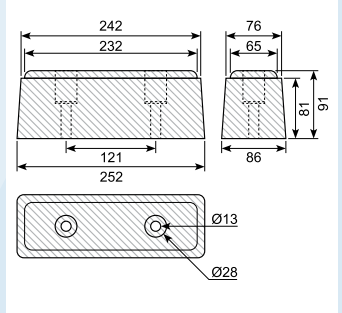
Material: NR/SBR

39.627



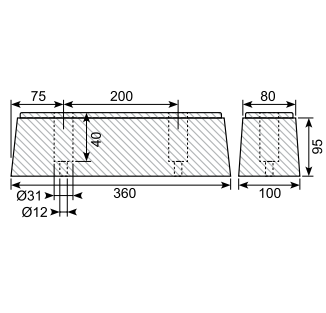
Material: SBR black

39.181060



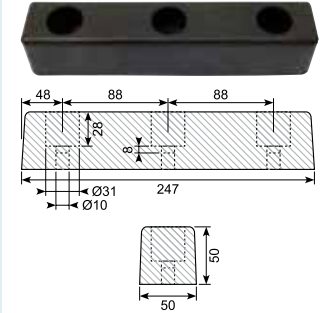
Material: NR/SBR

39.360



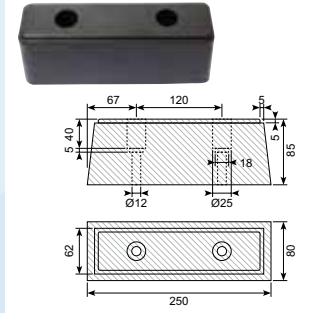
Material: Black NR / SBR

39.628



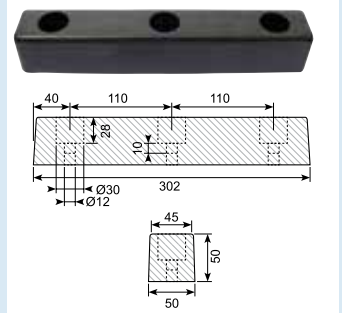
Material: NR/SBR

39.646



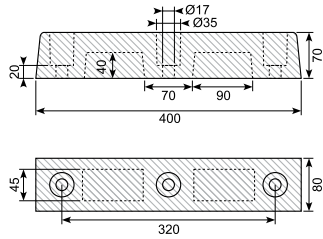
Material: Black NR / SBR
Weight: 1.800 g

39.629



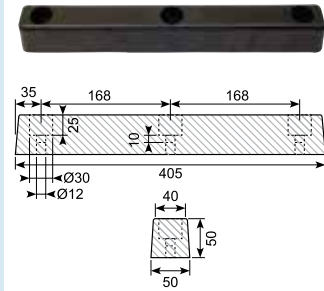
Material: Black NR / SBR

39.634



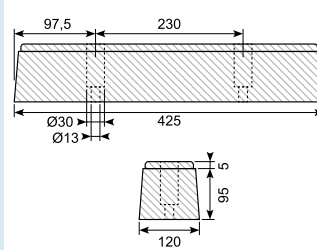
Buffer with steel washers and steel casing, 3 holes for 16 mm bolt.
Material: EPDM black

39.630



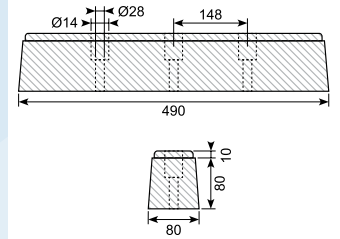
Material: Black NR / SBR

39.634P



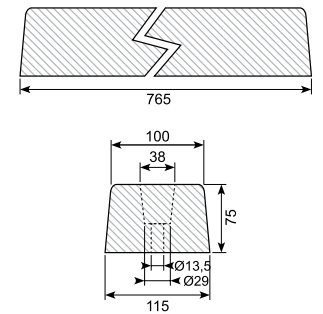
Material: Black NR / SBR

39.647 *



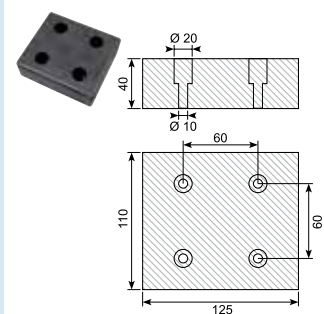
Material: Black NR / SBR

39.650 *



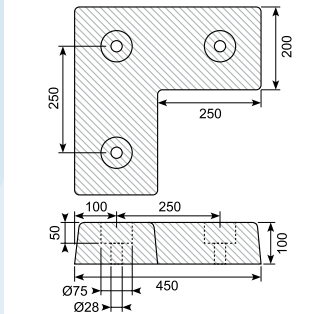
Material: Black NR / SBR

39.631X



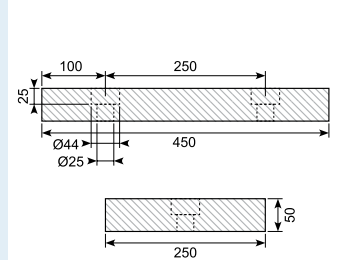
Material: SBR black
Hardness: SH 75

39.651A



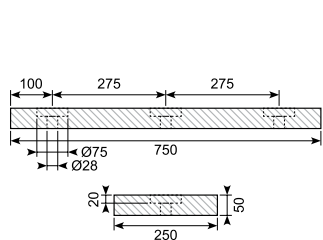
Material: NR / SBR
39.651: SBR + rayon

39.652



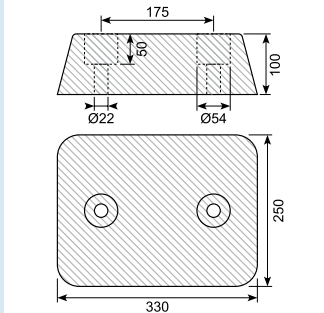
Material: Black NR / SBR

39.653



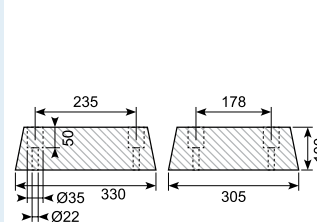
Material: Black NR / SBR

39.644



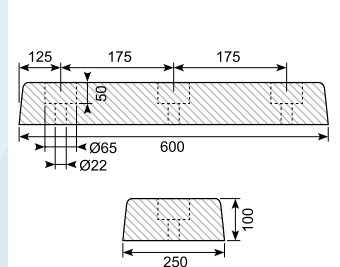
Material: SBR + rayon
39.644A: NR/SBR *

39.631A



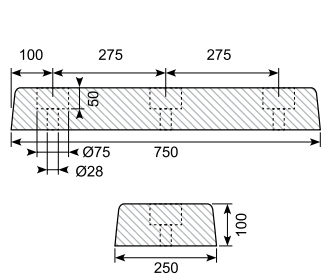
Material: NR / SBR

39.648



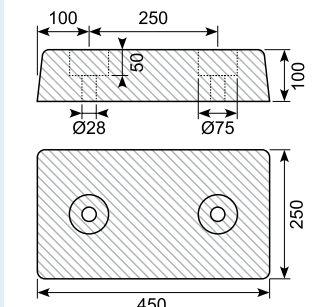
Material: Black NR / SBR

39.649



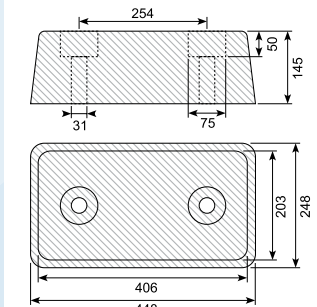
Material: Black NR / SBR

39.642X



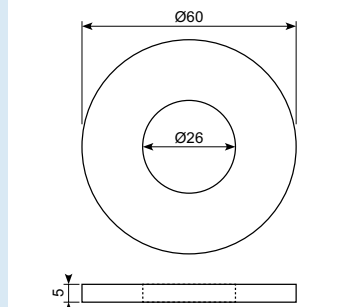
Material: NR / SBR (Economy)
39.642 SBR + rayon *

39.643X



Material: NR / SBR (Economy)

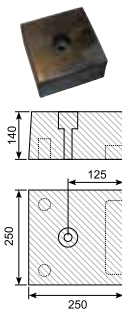
39.M24



M24 washer for rubber buffer

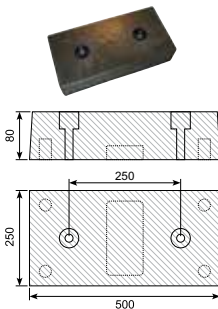
Gummibuffer / Rubber buffer

39.636H



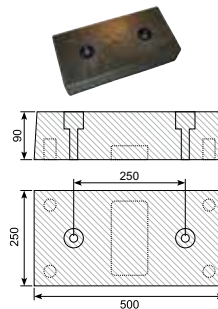
Buffer, vulcanized new rubber with vulcanized steel washer.

39.635X



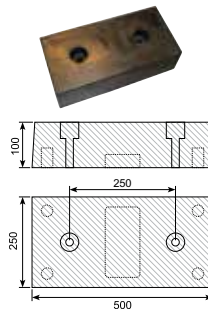
Buffer, vulcanized new rubber with vulcanized steel washers.

39.635



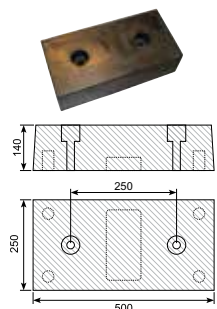
Buffer, vulcanized new rubber with vulcanized steel washers.

39.636X



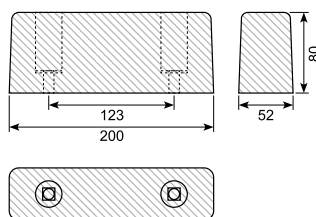
Buffer, vulcanized new rubber with vulcanized steel washers.

39.636



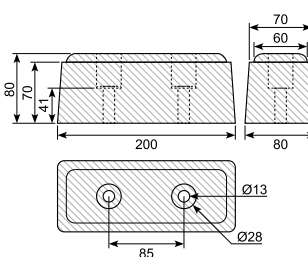
Buffer, vulcanized new rubber with vulcanized steel washers.

39.181061



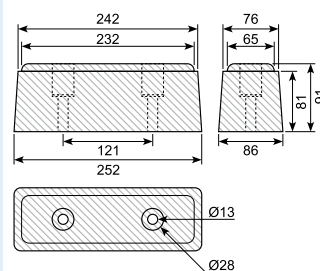
Weight: 1.050 g

39.181052



Weight: 1.370 g

39.181060



Weight: 1.370 g



Anslagsbuffere / tipper pads *
Material: Steel / rubber

Art.	Size steel element (mm)	Size rubber element (mm)	Weight (kg)
39.658	150 x 40 x 5	100 x 40 x 25	0,34
39.656	152 x 88 x 6	100 x 86 x 22	0,75
39.657	355 x 75 x 3	290 x 74 x 27	1,35



Anslagsbuffere / tipper pads *
Material: Aluminium / rubber

Art.	Size aluminium element (mm)	Size rubber element (mm)	Weight (kg)
39.659	152 x 88 x 5	100 x 86 x 23	0,41
39.661	180 x 75 x 5	115 x 75 x 29	0,41
39.660	152 x 88 x 5	100 x 88 x 38	0,6
39.662	180 x 75 x 5	150 x 75 x 40	0,6
39.663	180 x 75 x 4	115 x 75 x 46	0,6
39.664	190 x 115 x 6	120 x 112 x 14 - 20	0,6
39.665	355 x 75 x 5	290 x 75 x 39	1,4

39.180



Material: SBR black
Hardness: SH 80
Rubber pad Ø120 for lift stabilizers. Internal Ø108 mm. Height 26 mm.

39.181 *



Material: SBR black
Hardness: SH 75
Rubber pad Ø120 for lift stabilizers. Internal Ø108 mm. Height 26 mm.

39.182 *



Material: SBR black
Hardness: SH 75
Rubber pad Ø145 for lift stabilizers. Internal Ø120 mm. Height 24 mm.

39.183



Material: TPE black
Hardness: SH 80
Rubber pad Ø145 for lift stabilizers. Internal height 26 mm.

39.188 *



Rubber pad for lift stabilizers
Material: Black SBR
Hardness: SH 75
Size: Ø 160 x H 28 mm
Internal Ø 135 mm

39.183A *



Rubber pad for lift stabilizers
Material: Black SBR
Hardness: SH 80
Size: Ø 100 x H 21 mm
Internal Ø 80 mm

39.183B *



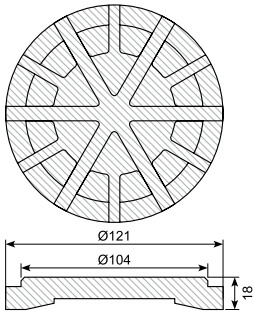
Rubber pad for lift stabilizers
Material: Black SBR
Hardness: SH 80
Size: Ø 140 x H 25 mm
Internal Ø 103 mm

39.183C *



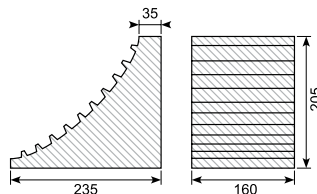
Rubber pad for lift stabilizers
Material: Black
Hardness: SH 80
Size: Ø 140 x H 25 mm
Internal Ø 74 / 60 mm

30.9906



Hardness: SH 80

52.CWC8



Chocks

39.184



Rubber pad for lift stabilizers
Material: SBR black
Hardness: SH 75
160 x 120 x 20 mm

39.186



Rubber pad for lift stabilizers
Material: SBR black
Hardness: SH 75
160 x 120 x 120 mm

39.187




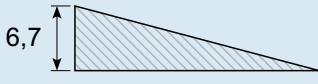







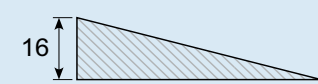

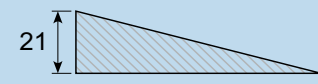

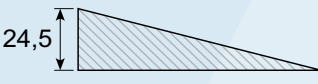

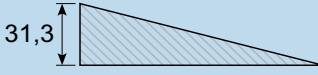
Rubber pad for lift stabilizers
Material: SBR black
Hardness: SH 75
180 x 60 x 100 mm

39.185



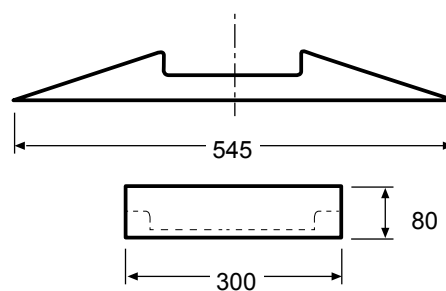
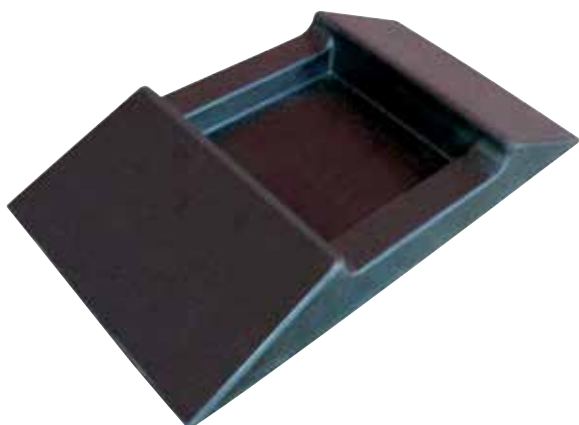
Rubber pad for lift stabilizers
Material: SBR black
Hardness: SH 75
160 x 120 x 35 mm

Gummibuffer / Rubber buffer

Art.	Image	Measure
30.13186-1		6,7 
30.13186-2		8 
30.13186-3		10,5 
30.13186-4		10,8 
30.13186-5 *		16 
30.13186-6 *		21 
30.13186-7 *		24,5 
30.13186-8 *		31,3 

Material: Grey PVC

39.645



* Skaffevare / Special order item