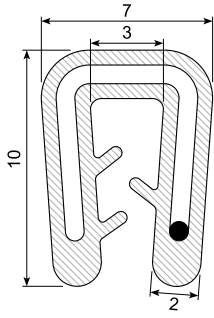
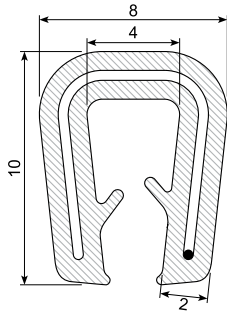


33.311



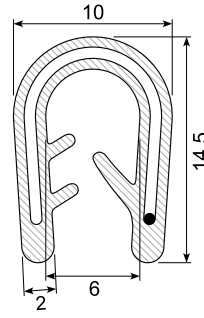
Edge trim: Black silicone
Grip range: 1 - 2 mm
Hardness: SH 60
Insert: Wire 18 x 0,76 mm
Heat resistant 200° C

33.510



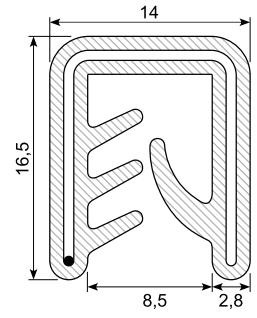
Edge trim: Black silicone
Grip range: 1 - 3 mm
Hardness: SH 60
Insert: Wire 26 x 0,76 mm
Heat resistant 200° C

33.312



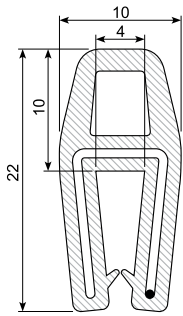
Edge trim: Silicone
Grip range: 2 - 4 mm
Hardness: SH 60
Insert: Wire
Heat resistant 200° C

33.429



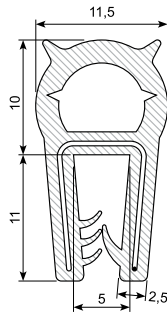
Edge trim: Black silicone
Grip range: 3 - 6 mm (5 - 7 mm)
Hardness: SH 60
Insert: Wire 39 x 0,76 mm
Heat resistant 200° C

33.511



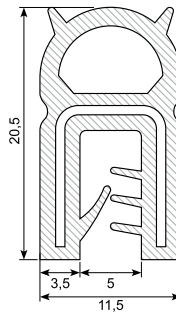
Edge trim: Silicone
Grip range: 1,5 - 4 mm
Hardness: SH 50
Insert: Wire
Heat resistant 200° C

33.512



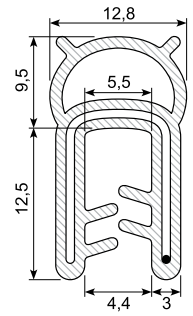
Edge trim: Silicone
Grip range: 1 - 3,5 mm
Hardness: SH 50
Insert: Wire
Heat resistant 200° C

33.513



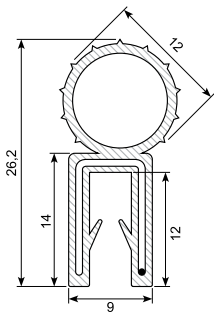
Edge trim: Silicone
Grip range: 1,5 - 3,5 mm
Hardness: SH 50
Insert: Wire
Heat resistant 200° C

33.431A



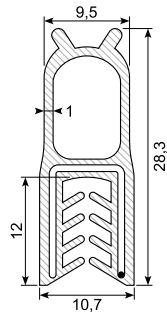
Edge trim: Silicone. Light gray
RAL 7035
Grip range: 2 - 4 mm
Hardness: SH 60/60 Solid balloon
Insert: Wire
Heat resistant 200°C. FDA conform

33.514



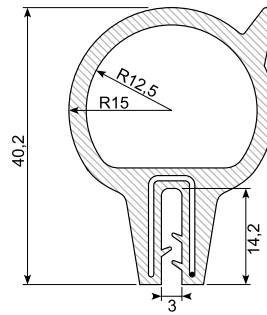
Edge trim: Silicone
Grip range: 1,5 - 3 mm
Hardness: SH 75
Insert: Wire
Heat resistant 200° C

33.515



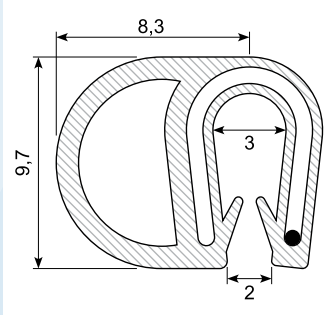
Edge trim: Silicone
Grip range: 1 - 2,5 mm
Hardness: SH 75
Insert: Wire
Heat resistant 200° C

33.516



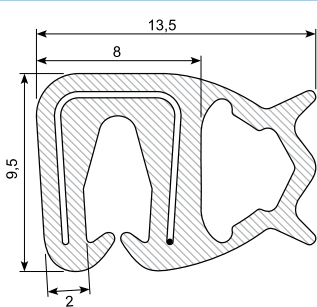
Edge trim: Silicone
Grip range: 2 - 3 mm
Hardness: SH 75
Insert: Wire
Heat resistant 200° C

33.517



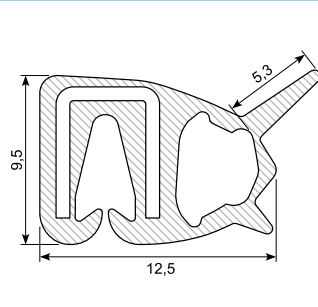
Edge trim: Silicone
Grip range: 2 - 3 mm
Hardness: SH 50
Insert: Wire
Heat resistant 200° C

33.518 *



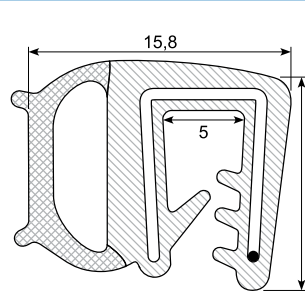
Edge trim: White silicone
Grip range: 1,5 - 2,5 mm
Hardness: SH 60
Insert: Wire
Min. order: 500 m

33.519



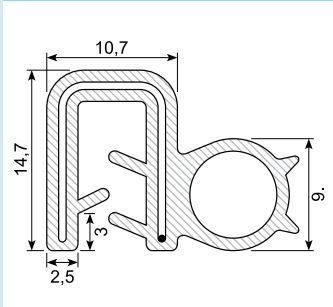
Edge trim: Silicone
Grip range: 1 - 2 mm
Hardness: SH 45
Insert: Wire
Heat resistant 200° C

33.520 *



Edge trim: Silicone, co-ex.
Color: Black and redbrown
Grip range: 1,5 - 3 mm
Hardness: SH 60 / density 0,4
Insert: Wire
Min. order: 500 m

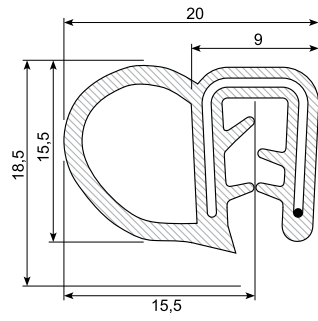
33.521



Edge trim: Silicone
Grip range: 1,5 - 4,5 mm
Hardness: SH 75
Insert: Wire
Heat resistant 200° C

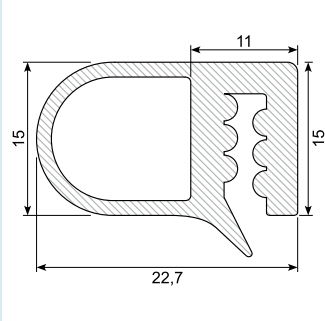
* Skaffevare / Special order item

33.522 *



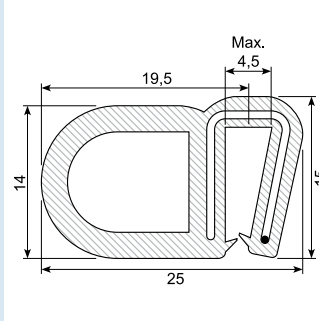
Edge trim: Silicone
Grip range: 1 - 2,5 mm
Insert: Wire
Heat resistant 200° C
Min. order: 2.000 m

33.523 *



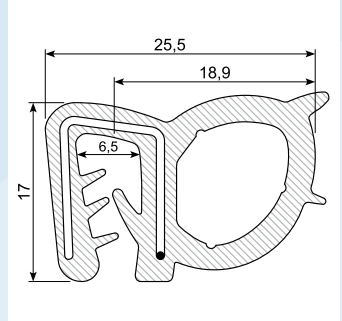
Edge trim: Silicone
Grip range: 1,5 - 2,5 mm
Hardness: SH 60
Insert: Wire
Heat resistant 200° C
Min. order: 500 m

33.524



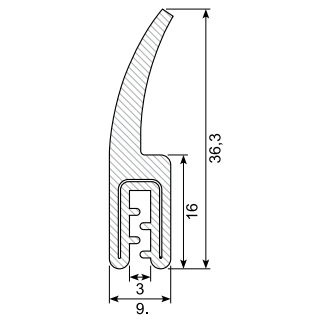
Edge trim: Silicone
Grip range: 2 - 4 mm
Hardness: SH 50
Insert: Wire
Heat resistant 200° C

33.525



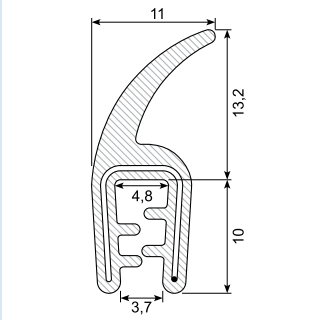
Edge trim: Silicone
Grip range: 3 - 6 mm
Hardness: SH 50
Insert: Wire
Heat resistant 200° C

33.526 *



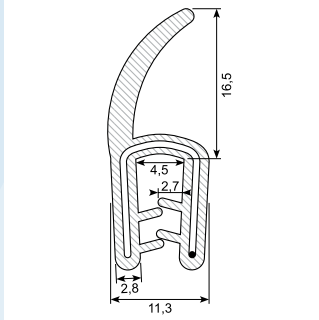
Edge trim: Silicone
Grip range: 1 - 2,5 mm
Hardness: SH 65
Insert: Wire
Heat resistant 200° C

33.527 *



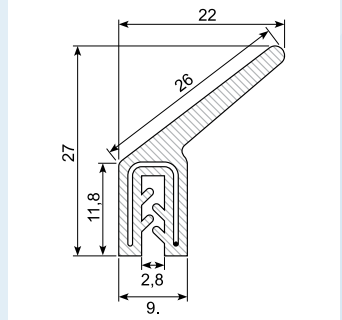
Edge trim: Silicone
Grip range: 1 - 2,5 mm
Hardness: SH 65
Insert: Wire
Heat resistant 200° C

33.528 *



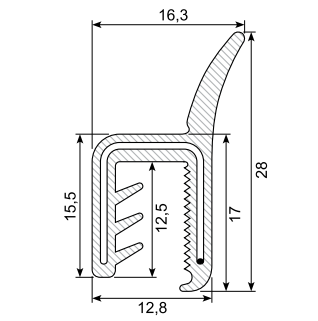
Edge trim: Silicone
Grip range: 1 - 3 mm
Hardness: SH 60
Insert: Wire
Heat resistant 200° C

33.529 *



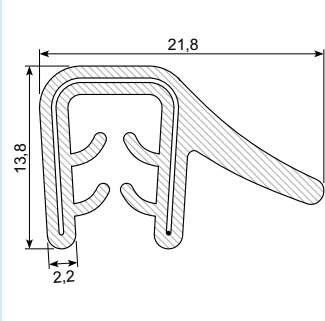
Edge trim: Silicone
Grip range: 1 - 1,5 mm
Hardness: SH 80
Insert: Wire
Heat resistant 200° C
Min. order: 500 m

33.530 *



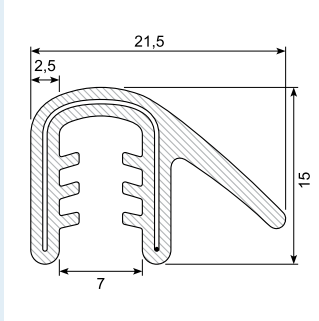
Edge trim: Silicone
Grip range: 3,5 - 5 mm
Hardness: SH 70
Insert: Wire
Heat resistant 200° C
DIN 5510-2 S4ST2

33.531 *



Edge trim: Silicone
Grip range: 2,5 - 5,5 mm
Hardness: SH 70
Insert: Wire
Heat resistant 200° C
Min. order: 500 m

33.532 *



Edge trim: Silicone
Grip range: 5,5 - 6,5 mm
Hardness: SH 65
Insert: Wire
Heat resistant 200° C