

18.125

Excenterlukker m. bøjle til hængelås.
Galvaniseret. Justérbar 70 - 82 mm.

Side board latch. Hole for paddlelock. Zinc-plated. Adjustable 70 - 82 mm.



18.125X

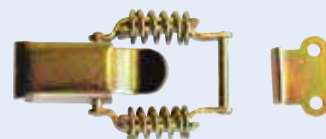
Galvaniseret excenterlukker med hul til hængelås. Inkl. modhold. 103 - 118 mm. Armlængde: 80 mm.

Zinc plated latch with hole for padlock with catch plate. 103 - 118 mm. Arm length: 80 mm.



18.132J

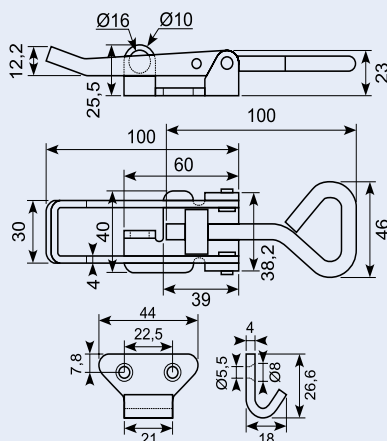
Snablås med fjeder 54 mm. Incl. modhold galvaniseret.



18.126

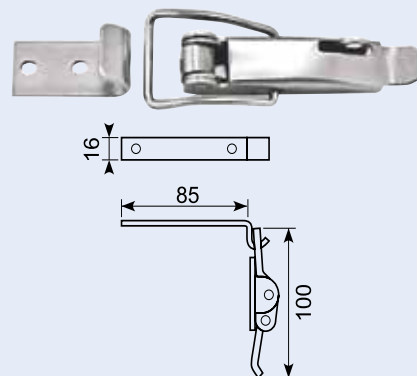
Excenterlukker m. bøjle til hængelås. Justérbar 155 - 170 mm. Inkl. hjertekrog 44,5 x 21 mm. Galvaniseret.

Side board latch with hook. Zinc plated.



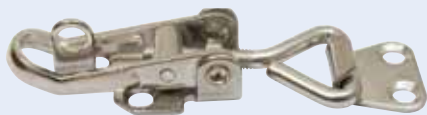
18.121

Lukkebeslag rustf. incl. hage. SS316 115x15.5.



63.051990J

Spændeoverfald 70-82 mm. Rustfri stål incl. låsehage. SS316 se osse 18.125SS304.



18.125SS304

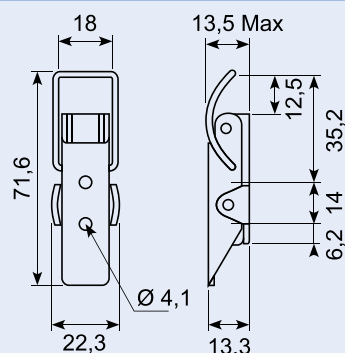
Excenterlukker med bøjle til hængelås. SS304. 70 - 82 mm.



18.130

Rustfri excenterlukker med bøjle. 71,6 mm ss304 (27-633). Brug modhold 18.129.

Stainless latch with wire hook. Use catch plate: 18.129.



Modhold / catch plate 18.129

18.125XSS304

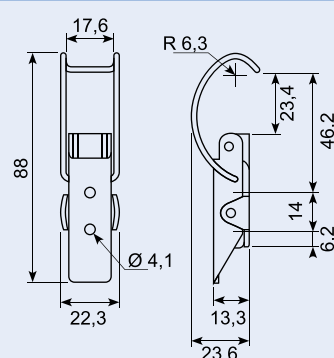
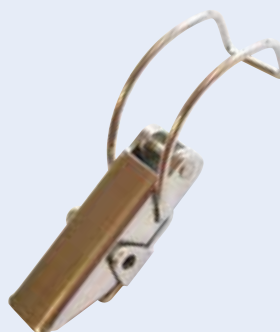
Excenterlukker med bøjle til hængelås. SS304. 103 - 118 mm.



18.131

Rustfri excenterlukker med stor bøjle. 88 mm ss304 (27-633). Brug modhold 18.129.

Stainless latch with wire hook. Use catch plate: 18.129.



Modhold / catch plate 18.129

18.128

Rustfri excenterlukker m. hul til lås. (Modhold evt. 18.129). 11 mm. Længde: 64 mm.

Small latch, hole for paddle lock. Stainless steel.



18.127

Rustfri excenterlukker m. bøjle. (Modhold evt. 18.129). 11 mm. Længde: 94 mm.

Big latch with wire hook, no catcher included no name. 11 mm. Length: 94 mm.

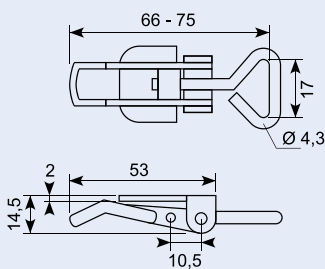


18.133

Rustfri excenterl.m/ bøjle. 80.5 mm SS304 med modhold.

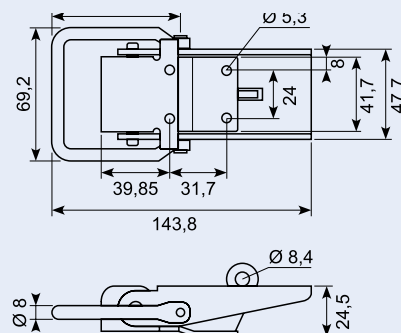
18.1090132ZN

Justerbar snablås - galvaniseret. 16 mm.
Adjustable fastener - zinc-plated. 16 mm.



50.14405

Galvaniseret lukker med øje til hængelås og forkrøbet fod.

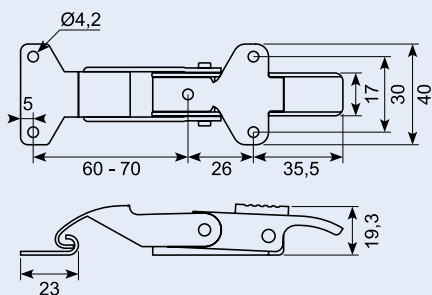


18.136

Rustfri excenterlukker 80mm med modhold indstillelig.

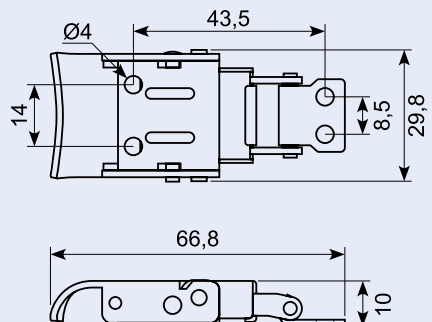
18.134

Galv.lukker med modhold. 110mm med skydelås.



18.135

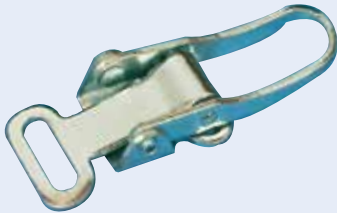
Rustfri lukker med bøjle. 55 mm med bøjle og modhold. Fjederbelastet bøjle med 3 indiv. fjedre.



18.70ZN

Snablås - galvaniseret. Lille model. 11 mm.

Rigid fastener, light duty - zinc-plated. 11 mm.

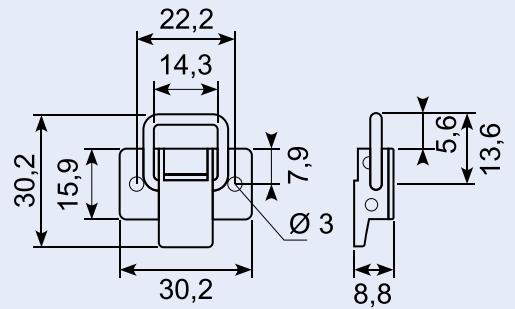


18.10589ZN

Protex snablås - galvaniseret jern. Forberedt for sikring med split.

Brudstyrke: 38 kg.

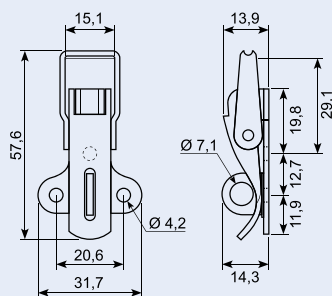
Rigid fastener, light duty - zinc-plated. Prepared for split pin. Ultimate strength: 38 kg.



18.29569ZN

Lukkebeslag uden hage. Galvaniseret. Rustfri version: 18.29569SS.

Rigid fastener without hook. Zinc-plated. Stainless version: 18.29569SS.



Modhold / catch plate

- 18.01535ZN - Hage galvaniseret
- 18.01535SS - Hage rustfri
- 18.02535
- 18.07535
- 18.03535ZN - Hage galvaniseret
- 18.03535SS - Hage rustfri
- 18.08594

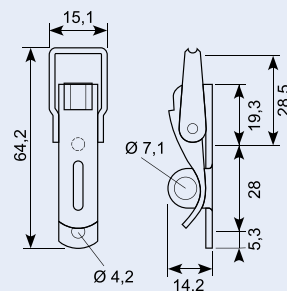
18.291700ZN

Protex snablås - galvaniseret jern. Forberedt for hængelås.

Brudstyrke: 165 kg.

Rustfri version: 18.291700SS.

Rigid fastener, light duty - zinc-plated. Prepared for padlock. Ultimate strength: 165 kg. Stainless version: 18.291700SS.



Modhold / catch plate

- 18.03535ZN - Hage galvaniseret 14 mm
- 18.03535SS - Hage rustfri
- 18.01535ZN - Hage galvaniseret 14 mm
- 18.01535SS - Hage rustfri
- 18.02535
- 18.07535
- 18.08594

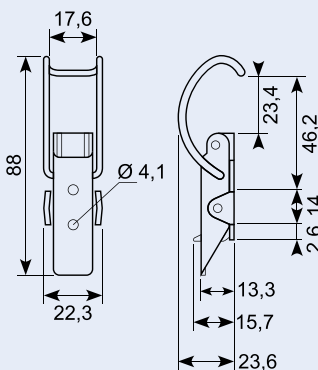
18.27633ZN

Protex snablås - galvaniseret jern. Forberedt for hængelås.

Brudstyrke: 165 kg. 14 mm.

Rustfri version: 18.27633SS

Rigid fastener, light duty - zinc-plated. Prepared for padlock. Ultimate strength: 165 kg. Stainless version: 18.27633SS.



Modhold / catch plate

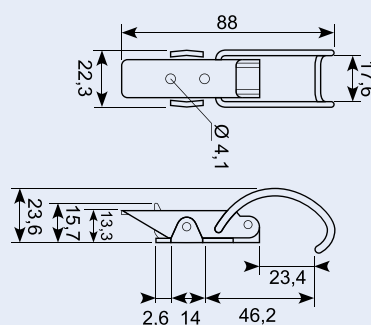
- 18.001600CLR
- 18.02633
- 18.03633
- 18.07613
- 18.01535ZN - 14 mm
- 18.03535ZN - 14 mm

18.27645ZN

Protex lukker uden hage galvaniseret.

Rustfri version: 18.27633SS.

Protex fastener without hook, zinc-plated. Stainless version: 18.27633SS.

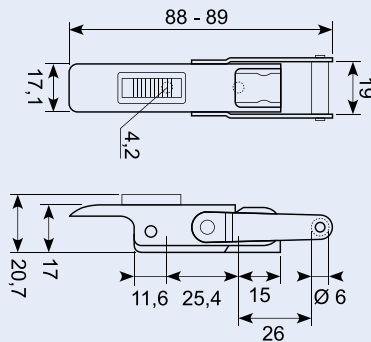


18.611750ZN

Protex snaplås - galvaniseret med lås. Justerbar - forberedt for sikring med split. Brudstyrke: 450 kg.

Rustfri version: 18.611750SS

Adjustable fastener, locking, zincplated, pin seal.
Ultimate strength: 450 kg.
Stainless version: 18.611750SS.



Modhold / catch plate

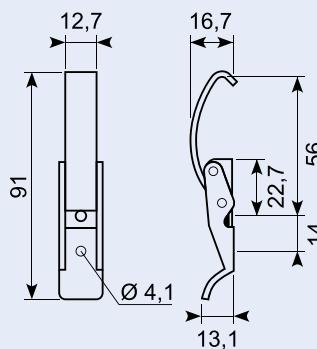
18.05655ZN - EL-forzinket, gul.
18.03655ZN - 16 mm
18.03655SS
18.06655
18.01655
18.007655
18.02655ZN
18.02655SS

18.282150ZN

Protex snaplås - galvaniseret jern. Til låg eller faldede kanter. Brudstyrke : 75 kg.

Rustfri version: 18.282150SS.

Spring Claw Fastener, light duty - zinc-plated. For lids or flanged edges. Ultimate strength: 75 kg.
Stainless version: 18.282150SS.



Modhold / catch plate

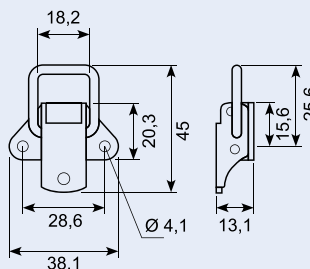
18.042150ZN

18.18613ZN

Protex snaplås - galvaniseret jern. Forberedt for sikring med split. Brudstyrke : 195 kg.

Rustfri version: 18.18613SS.

Rigid fastener, light duty - zincplated. Prepared for split pin.
Ultimate strength: 195 kg.
Stainless version: 18.18613SS.



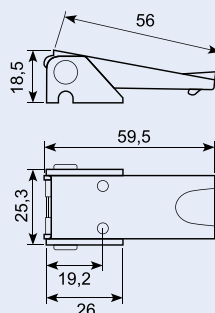
Modhold / catch plate

18.01613ZN
18.02613ZN - 16 mm
18.03613ZN - 16 mm
18.07613

18.2005000SS

Protex justerbar lukker uden hage, rustfri.

Protex adjustable fastener without hook stainless.



Modhold / catch plate

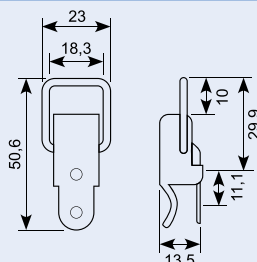
18.015000SS - rustfri
18.02633 - galvaniseret
18.02633SS - rustfri

18.20505ZN

Protex snaplås - rustfri. 16 mm.

Rustfri version: 18.20505SS.

Rigid fastener - stainless steel. 16 mm.
Stainless version: 18.20505SS.



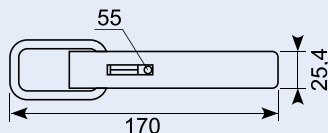
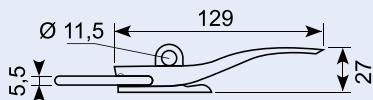
Modhold / catch plate

18.01504 - galvaniseret
18.01504SS - rustfri
18.02504
18.03504
18.011658

18.165

Snaglås - aflåselig. Sort-lakeret jern. 22 mm.

Over-centre toggle fasteners. Powder coated. 22 mm.



18.30506ZN

Protex snaglås - galvaniseret jern. Til låg eller faldede kanter. Brudstyrke: 75 kg.

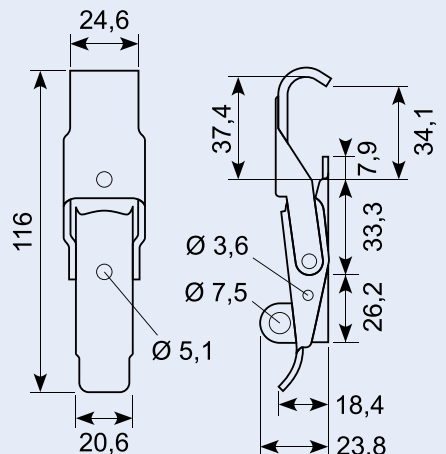
Rustfri version: 18.30506SS.

Rigid fasteners, medium duty - zincplated. For lids or flanged edges. Ultimate strength: 75 kg. Stainless version: 18.30506SS.



Modhold / catch plate

18.042150 - 22 - 24 mm

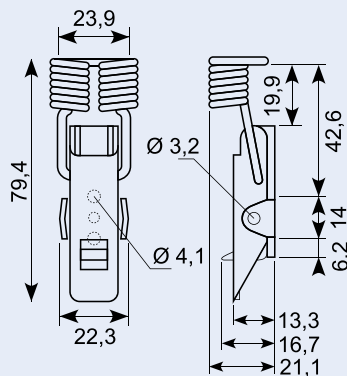


18.271837ZN

Protex snaglås - galvaniseret med lås. Med trækfjeder, forberedt for sikring. Med split. Brudstyrke: 66 kg.

Rustfri version: 18.271837SS.

Rigid fasteners, medium duty - locking. With tension spring, prepared for split pin. Ultimate strength: 66 kg. Stainless version: 18.271837SS.



Modhold / catch plate

18.07613

18.02633 - Galvaniseret

18.02633SS - Rustfri

18.03633

18.001600CLR

18.07613

18.01502 - 24 mm

18.02502 - 24 mm

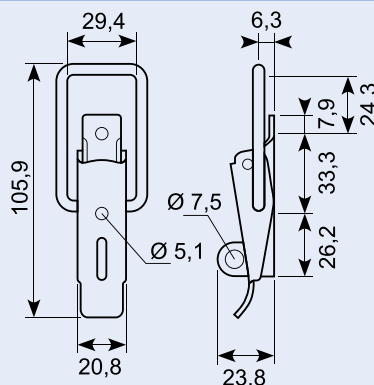
18.30570ZN

Protex snaglås - galvaniseret. Forberedt for sikring med split og hængelås.

Brudstyrke : 450 kg.

Rustfri version: 18.30570SS.

Rigid fasteners, medium duty - zinc plated. Prepared for padlock and split pin. Ultimate strength: 450 kg. Stainless version: 18.30570SS.



Modhold / catch plate

18.031692

18.08502

18.01502SS - rustfri

18.01502ZN - galvaniseret

18.05502SS - rustfri

18.05502ZN - galvaniseret

18.02502SS - rustfri

18.02502ZN - galvaniseret

18.01502

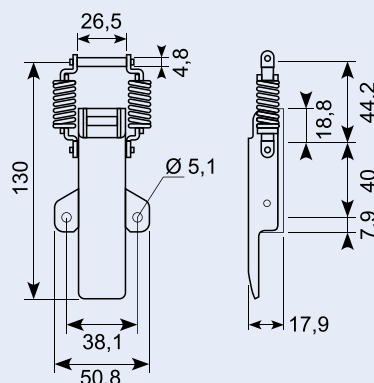
18.02502

18.351163ZN

Protex snaglås - galvaniseret. Med trækfjeder, forberedt for sikring. Med split. Brudstyrke: 66 kg.

Rustfri version: 18.351163SS.

Spring fasteners, medium duty - zincplated. With tension spring, pin seal. Ultimate strength: 66 kg. Stainless version: 18.351163SS.



Modhold / catch plate

18.051058SS - rustfri

18.061058SS - rustfri

18.01502SS - rustfri

18.01502ZN - galvaniseret - 26 mm

18.02502SS - rustfri

18.02502ZN - galvaniseret - 26 mm

18.03502

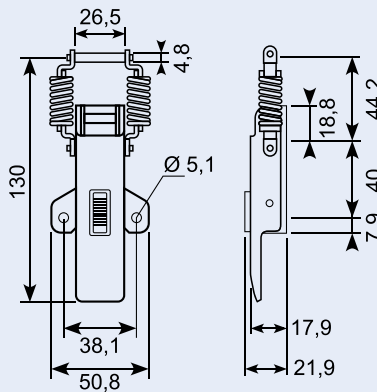
18.361163ZN

Protex snaplås - galvaniseret med lås. Med trækfjeder, forberedt for sikring med split.

Brudstyrke: 66 kg.

Rustfri version: [18.361163SS](#).

Rigid fastener, medium duty - locking, stainless steel. With tension spring, pin seal. Ultimate strength: 66 kg. Stainless version: [18.361163SS](#).



Modhold / catch plate

[18.051058ZN](#) - Galvaniseret

[18.051058SS](#) - Rustfri

[18.01502ZN](#) - Galvaniseret

[18.01502SS](#) - Rustfri - 24 mm

[18.02502ZN](#) - Galvaniseret

[18.02502SS](#) - Rustfri - 24 mm

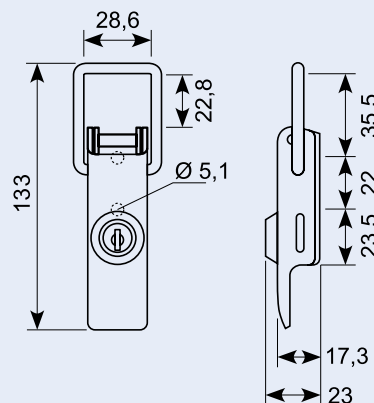
[18.03502](#)

18.371260ZN

Protex snaplås - galvaniseret, aflåselig. Leveres med 2 nøgler. Brudstyrke : 494 kg.

Rustfri version: [18.371260SS](#).

Rigid fastener, medium duty, locking zinc-plated with two keys. Ultimate strength: 494 kg. Stainless version: [18.371260SS](#).



Modhold / catch plate

[18.01502ZN](#) - Galvaniseret - 24 mm

[18.01502SS](#) - Rustfri

[18.02502ZN](#) - Galvaniseret - 24 mm

[18.02502SS](#) - Rustfri

[18.03502](#)

[18.051058ZN](#) - Galvaniseret

[18.051058SS](#) - Rustfri

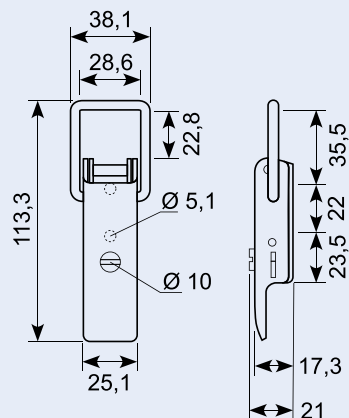
[18.061058SS](#) - rustfri

18.391260ZN

Protex snaplås - galvaniseret med kærnskruelås. Forberedt for sikring med split. Brudstyrke: 450 kg.

Rustfri version: [18.391260SS](#)

Ridgid fastener, medium duty, locking. Zinc-plated. Prepared for split pin. Ultimate strength: 450 kg. Stainless version: [18.391260SS](#).



Modhold / catch plate

[18.01502ZN](#) - Galvaniseret - 24 mm

[18.01502SS](#) - Rustfri

[18.02502ZN](#) - Galvaniseret - 24 mm

[18.02502SS](#) - Rustfri

[18.03502](#)

[18.051058ZN](#) - Galvaniseret

[18.051058SS](#) - Rustfri

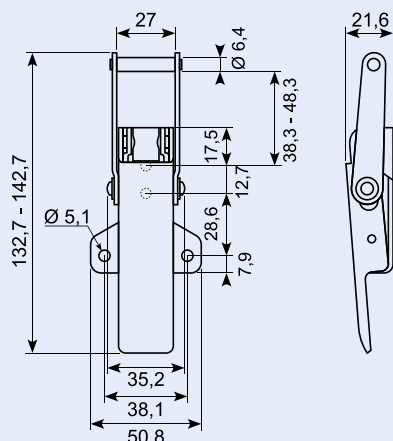
[18.061058SS](#) - rustfri

18.701273ZN

Protex snaplås - galvaniseret jern. Justerbar - forberedt for sikring med split. Brudstyrke: 660 kg.

Rustfri version: [18.701273SS](#)

Adjustable fastener, medium duty. Zinc-plated, wide based. Pin seal. Ultimate strength: 660 kg. Stainless version: [18.701273SS](#).



Modhold / catch plate

[18.021273](#)

[18.011273ZN](#) - Galvaniseret

[18.011273SS](#) - Rustfri

[18.03502](#)

[18.06625ZN](#) - 24 mm

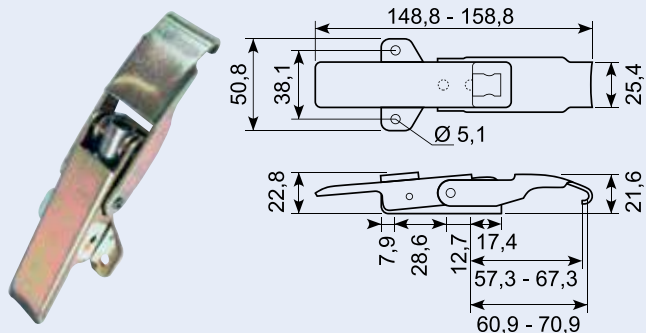
[18.011273CZN](#) - 24 mm

Snaplåse og modhold / Fasteners and catch plates

18.70653CZN

Protex snaplås - galvaniseret jern. Til låg eller faldede kanter. Forberedt for sikring med split. Brudstyrke: 454 kg. 22-24 mm. Rustfri version: [18.70653SS](#).

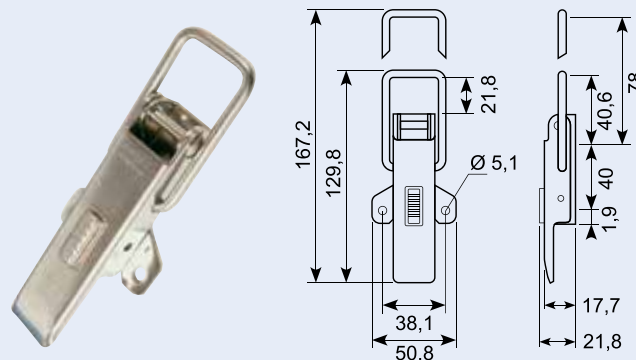
Adjustable fasteners, medium duty. Zincplated. For lids or flanged edges. Pin seal. Ultimate strength: 454 kg. 22-24 mm. Stainless version: [18.70653SS](#).



18.361058SS

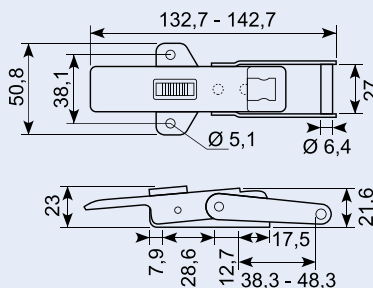
Protex snaplås - rustfri stål med lås. Forberedt for sikring med split. Brudstyrke: 450 kg. Passer til modhold. [18.01502SS](#) / [18.02502SS](#). 24 mm.

Rigid fasteners, medium duty locking. Pin seal. Ultimate strength: 450 kg. Fits catch plate [18.01502SS](#) / [18.02502SS](#). 24mm.



18.711273ZN

Rustfri version: [18.711273SS](#).
Stainless version: [18.711273SS](#).



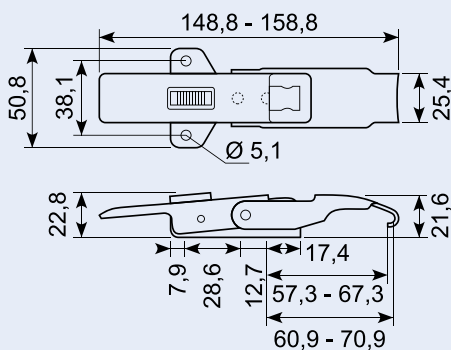
Modhold / catch plates

[18.021273](#)
[18.011273ZN](#) - Galvaniseret
[18.011273SS](#) - Rustfri
[18.03502](#)

18.71653CZN

Protex snaplås - galvaniseret jern. Til låg eller faldede kanter. Forberedt for sikring med split. Brudstyrke: 454 kg. 22-24 mm. Rustfri version: [18.71653SS](#)

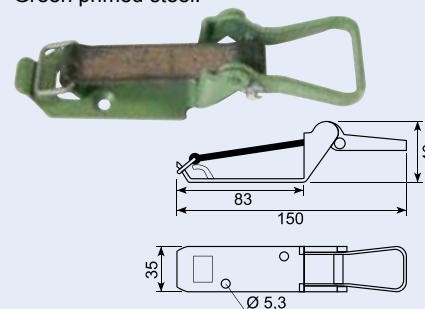
Adjustable fasteners, medium duty. Zinc-plated. For lids or flanged edges. Pin seal. Ultimate strength: 454 kg. 22-24 mm. Stainless version: [18.71653SS](#).



18.109

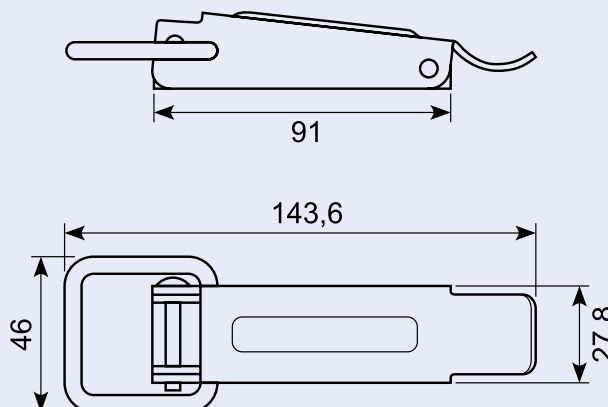
Snaplås med gummistrop. Army-grøn lakeret jern.

Stowage clamp with rubber tension strap. Green primed steel.



18.122X **

Snaplås. Galvaniseret jern, velegnet til låg og kasser. Toggle fasteners. Zinc-plated, suited for covers and boxes.

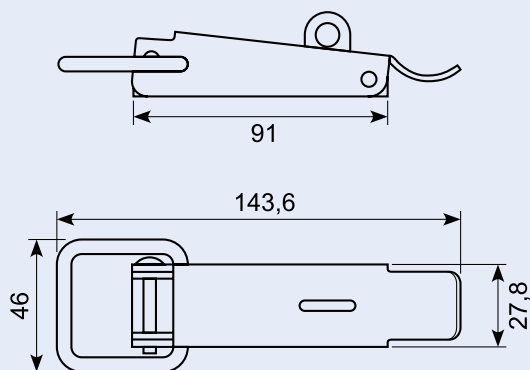


** Opdateret siden tryk / Updated since print

18.122Z **

Galvaniseret lukkebeslag med øje til hængelås. Ekskl. hage.

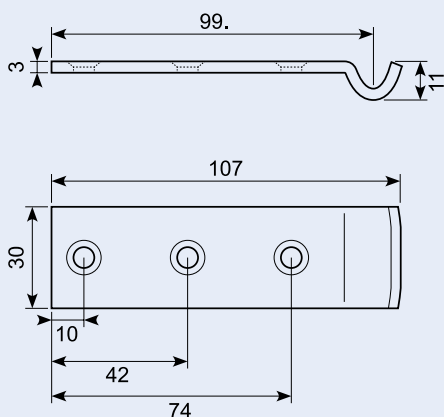
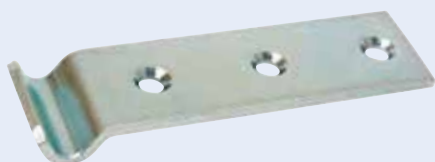
Locking fastenings without hook. Eye for padlock.



18.122XA **

Forkrøbet modhold. 30 x 107 mm. Tykkelse 3 mm.

Cranked catch plate. 30 x 107 mm. Thickness 3 mm.

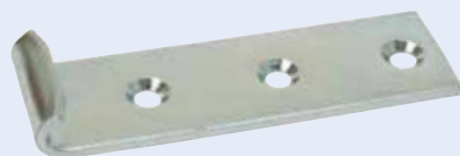


18.122XB

Lige modhold. 30 x 103 mm.

Tykkelse 3 mm

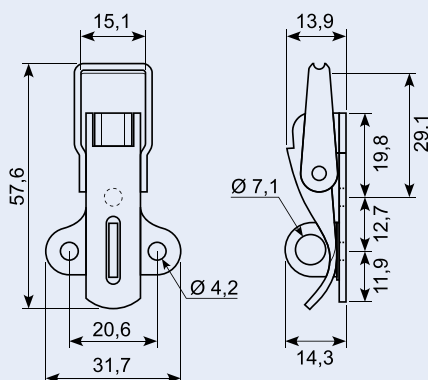
Straight catch plate. 30 x 103 mm. Thickness 3 mm.



18.29569ZN

Galvaniseret lukkebeslag uden hage.

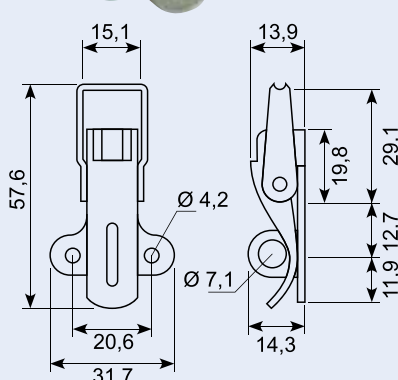
Zinc plated locking fastenings without hook.



18.569A

Lukkebeslag u. hage 29.569ZN. Forzinket.

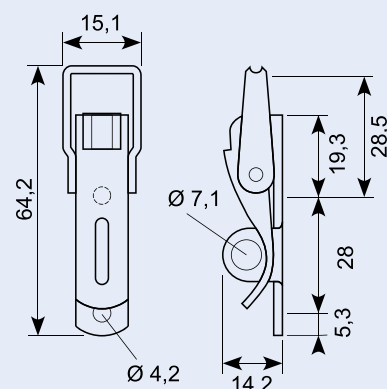
Locking fastenings without hook 29.569ZN, zinc-plated.



18.291700SS

Lukkebeslag u. hage 29.569ZN. Forzinket.

Locking fastenings without hook 29.569ZN, zinc-plated.



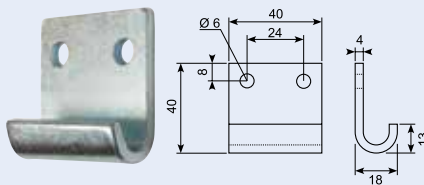
18.129

Rustfri modhold med 2 huller SS304.



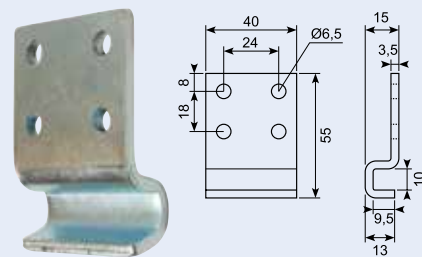
50.14405-1

Galvaniseret fladt modhold.



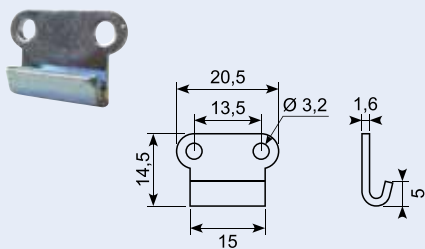
50.14405-2

Galvaniseret forkrøbet modhold.



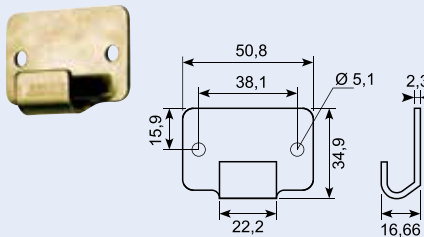
18.011658

Modhold.
Catch plate.



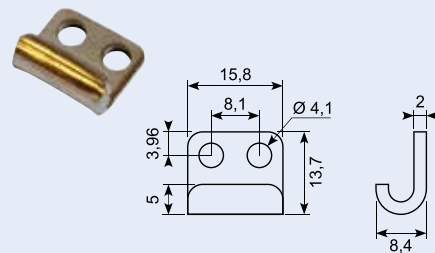
18.011273SS

Rustfri modhold.
Gul zink model: 18.011273ZN.
Stainless catch plate.



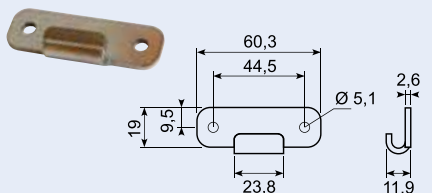
18.015000SS

Rustfri modhold.
Stainless catch plate.



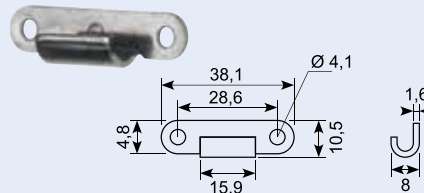
18.01502SS

Rustfri modhold. Galvaniseret model:
18.01502ZN.
Stainless catch plate. Zinc plated version:
18.01502ZN.



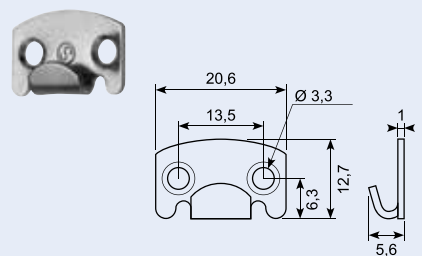
18.01504SS

Rustfri modhold. Galvaniseret model:
18.01504.
Stainless catch plate. Zinc plated version:
18.01504.



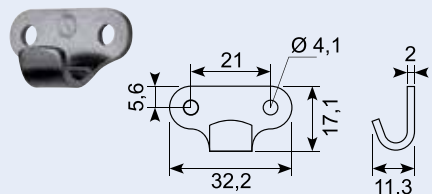
18.01531SS

Rustfri modhold.
Stainless catch plate.



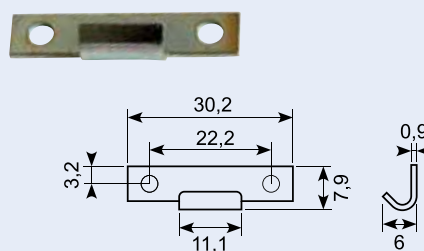
18.01535SS

Rustfri modhold. Galvaniseret model:
18.01535ZN.
Stainless catch plate. Zinc plated version:
18.01535ZN.



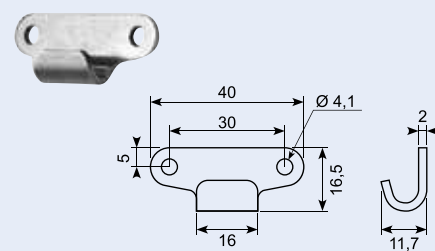
18.01589ZN

Modhold - plan 11 mm. Galvaniseret jern.
Catch plate - plane 11 mm. Zinc-plated.



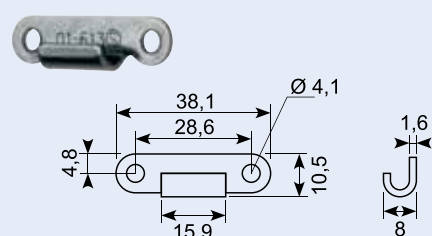
18.001600CLR

Modhold.
Catch plate.



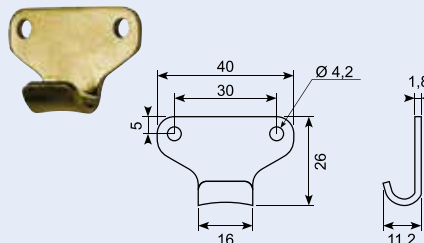
18.01613ZN

Modhold.
Catch plate.



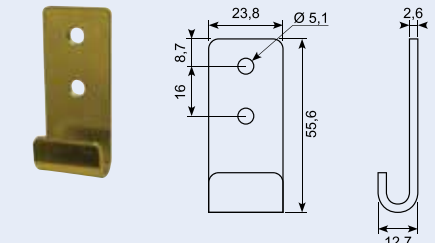
18.01655

Modhold.
Catch plate.



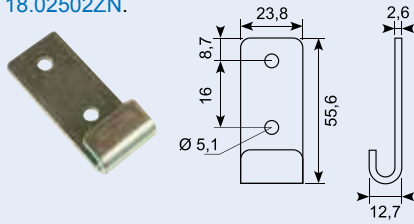
18.021273

Modhold.
Catch plate.



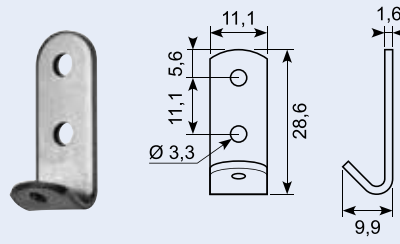
18.02502SS

Rustfri modhold. Galvaniseret model:
18.02502ZN.
 Stainless catch plate. Zinc plated version
18.02502ZN.



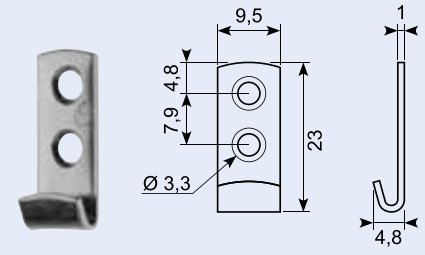
18.02504

Modhold.
 Catch plate.



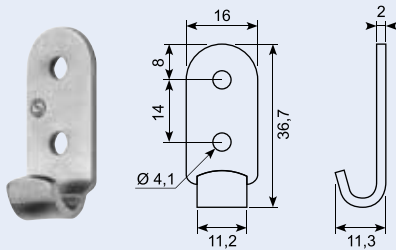
18.02531

Modhold.
 Catch plate.



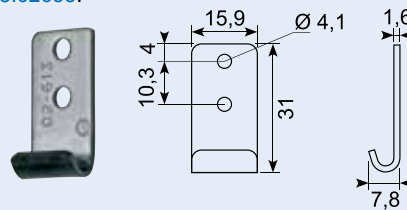
18.02535

Modhold.
 Catch plate.



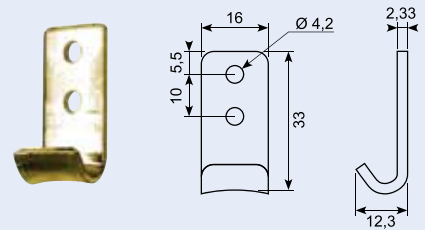
18.02633SS

Rustfri modhold. Galvaniseret model:
18.02633.
 Stainless catch plate. Zinc plated version:
18.02633.



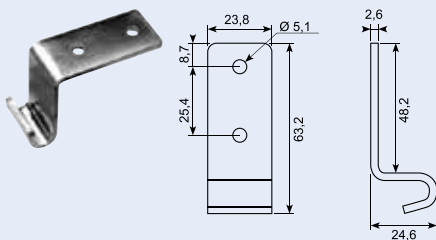
18.02655SS

Rustfri modhold.
 Stainless catch plate.



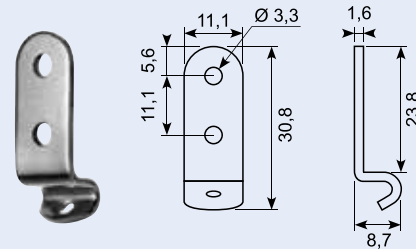
18.031692

Modhold.
 Catch plate.



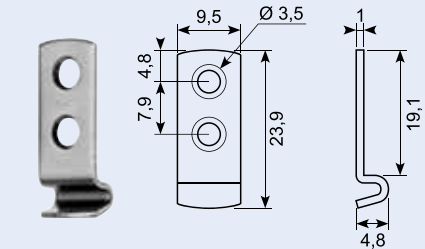
18.03504

Modhold.
 Catch plate.



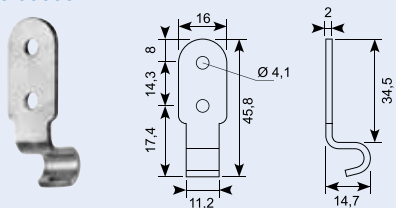
18.03531

Modhold.
 Catch plate.



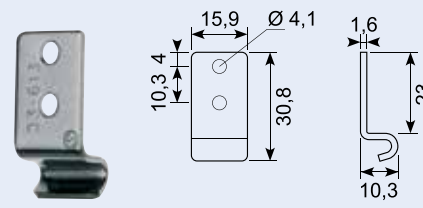
18.03535SS

Rustfri modhold. Galvaniseret model:
18.03535ZN.
 Stainless catch plate. Zinc plated version:
18.03535ZN.



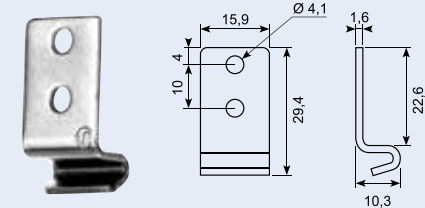
18.03613ZN

Modhold.
 Catch plate.



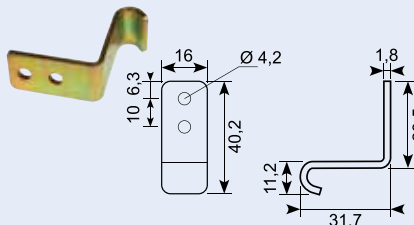
18.03633

Modhold.
 Catch plate.



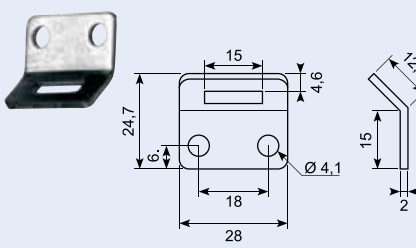
18.03655SS

Modhold. Gul zink model: 18.03655ZN.
 Catch plate. Yellow zinc plated version:
18.03655ZN.



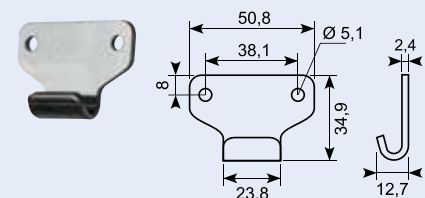
18.042150ZN

Modhold.
 Catch plate.



18.051058SS

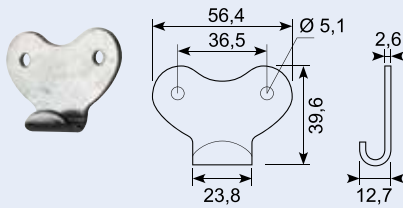
Rustfri modhold. Galvaniseret model:
18.051058ZN.
 Stainless catch plate. Zinc plated version:
18.051058ZN.



18.05502SS

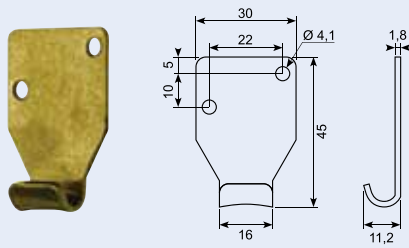
Rustfri modhold. Galvaniseret model:
18.05502ZN.

Stainless catch plate. Zinc plated version:
18.05502ZN.



18.05655ZN

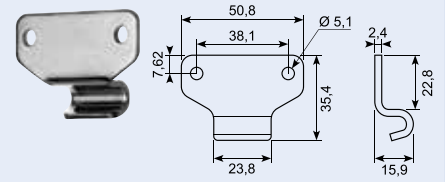
Gul el-forsinket modhold.
Yellow zinc plated catch plate.



18.061058SS

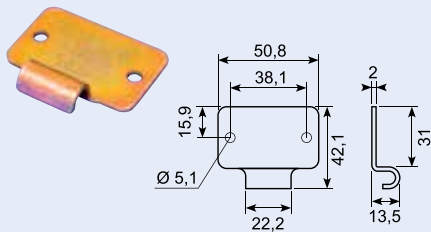
Rustfri modhold. Galvaniseret model:
18.061058.

Stainless catch plate. Zinc plated version:
18.061058.



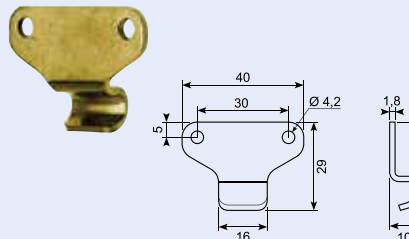
18.06625ZN

Galvaniseret modhold.
Zinc plated catch plate.



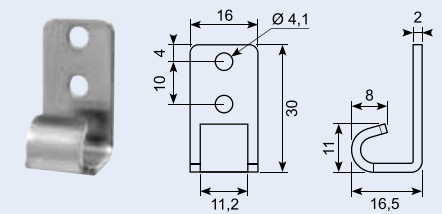
18.06655

Modhold.
Catch plate.



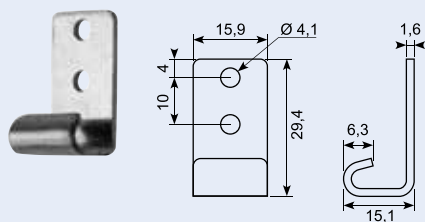
18.07535

Modhold.
Catch plate.



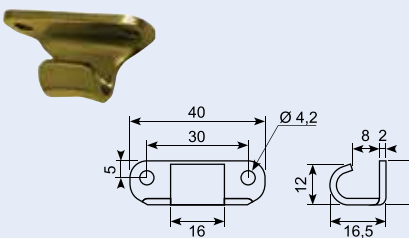
18.07613

Modhold.
Catch plate.



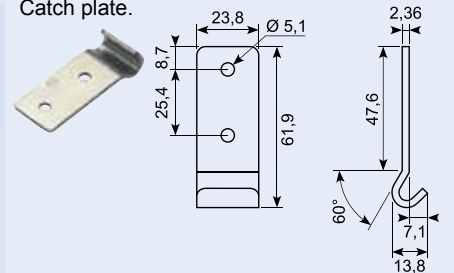
18.007655

Modhold.
Catch plate.



18.08502

Modhold.
Catch plate.



18.08594

Modhold.
Catch plate.

