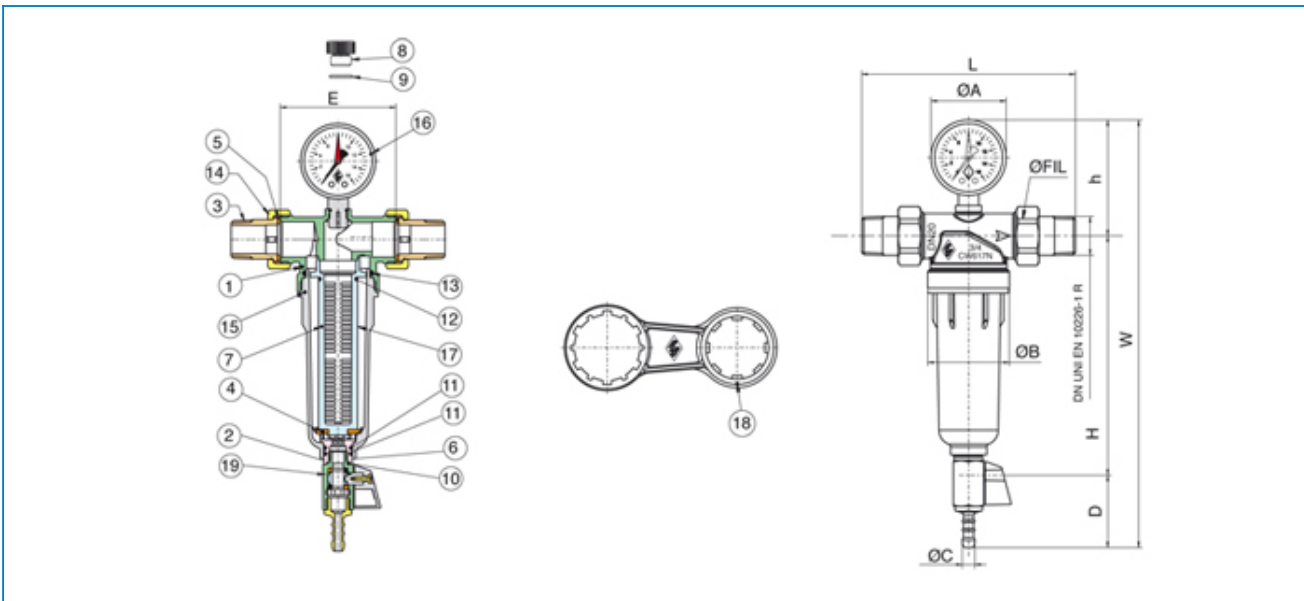




Serie **EURO-FILTER**

Articolo **300200**

Self-cleaning strainer, 100 micron mesh, with nut and union.



POS.	PART NAME	MATERIALE-MATERIALS MATERIAUX-WERKSTOFF- MATERIAL	N°P
1	BODY	OTTONE CW617N UNI EN 12165	1
2	SEEGER	ACCIAIO PER MOLLE	1
3	MALE UNION TAIL	OTTONE CW617N UNI EN 12165	2
4	FLAT SEAT	NBR	1
5	FLAT SEAT	FIBRA ECOLOGICA VERDE	2
6	CONNECTION	OTTONE CW614N UNI EN 12164	1
7	STREINER SUPPORT	POM	1
8	PRESSURE GAUGE CAP	POM	1
9	O-RING	NBR	1
10	O-RING	EPDM	1
11	O-RING	EPDM	2
12	O-RING	EPDM	1
13	O-RING	EPDM	1
14	NUT	OTTONE CW617N UNI EN 12165	2
15	BOWL	PSU	1
16	PRESSURE GAUGE	-	1
17	METALLIC STRAINER	ACCIAIO INOX AISI 304	1
18	SERVICE KEY	PA 6,6	1
19	DRAIN VALVE	-	1

MISURA SIZE	DN	BOX	MASTER BOX	CODICE CODE	ØFIL	W	h	H	ØA	ØB	ØC	ØD	E	L	Kv	PN	Kg
1/2"	15	1	6	30020004	3/4"	289	77	162	52	56,5	9	50	80	140	4,4	16	0,80
3/4"	20	1	6	30020005	1"	295	80	165	52	56,5	9	50	80	148	7,5	16	0,90
1"	25	1	6	30020006	1"1/4	301	83,5	167	52	56,5	9	50	100	180	8,5	16	1,28

Limiti di temperatura per aria : -10°C +80°C - Limiti di temperatura per acqua : -10°C +95°C - Temperature range for air: -10°C +80°C - Temperature range for water: -10°C +95°C.

