

Rotary cylinders Series 30

Non magnetic, cushioned and not cushioned
 ø 50 - 63 - 80 - 100
 Rotational angles 90° and 180°



The rotary cylinders Series 30 are made of a special Aluminium profile. Their compact dimensions and clean lines give a good aesthetic appearance. A unique wear resistant guide block gives increased service life to the unit.

Positioning gears are provided for the rotations. On the heads there is a screw which allows rotation to be adjusted by $\pm 5^\circ$.

GENERAL DATA

Type of construction	profile
Operation	double acting
Materials	aluminium profile body & end blocks - NBR seals - other parts - hardened steel
Mounting	by means of holes in body
Bore	ø 50 - 63 - 80 - 100
Installation	in any position
Working temperature	0°C ÷ 50°C (- 20°C on dry air)
Standard rotation	90° - 180°
Operating pressure	0.5 ÷ 10 bar
Fluid	clean air with or without lubrication

TABLE OF TORQUE FORCE IN Nm (THEORETICAL)

∅	1 bar	2 bar	3 bar	4 bar	5 bar	6 bar	7 bar	8 bar	9 bar	10 bar
50	2,08	4,16	6,24	8,32	10,40	12,48	14,55	16,63	18,71	20,79
63	4,40	8,80	13,20	17,61	22,01	26,41	30,81	35,21	39,61	44,01
80	7,10	14,19	21,29	28,39	35,49	42,58	49,68	56,78	63,87	70,97
100	16,63	33,27	49,90	66,54	83,17	99,80	116,44	133,07	149,07	166,34

CODING EXAMPLE

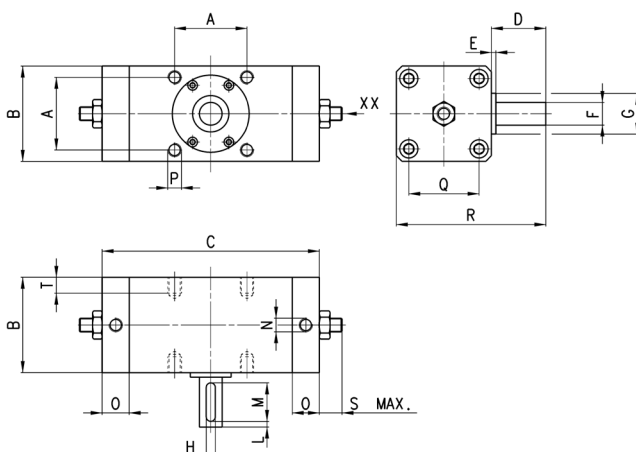
30	-	050	/	090	-	3
30	SERIES		PNEUMATIC SYMBOL CD17			
050	BORE 050 = 50 mm 063 = 63 mm 080 = 80 mm 100 = 100 mm					
090	ROTATIONAL ANGLES 090 = 90° 180 = 180°					
3	Not cushioned					

PNEUMATIC SYMBOLS

The pneumatic symbols which have been indicated in the CODING EXAMPLE are shown below.



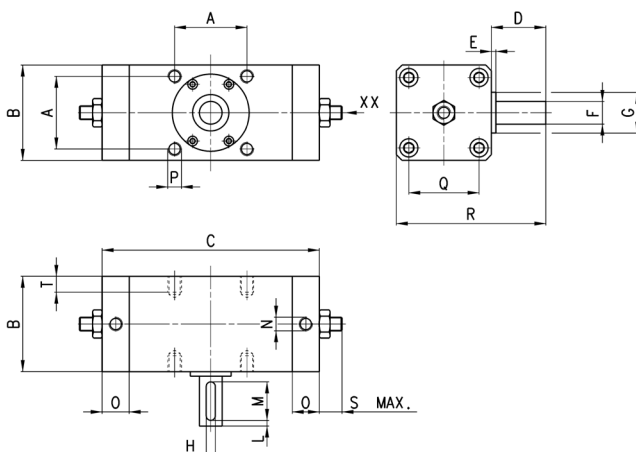
Rotary cylinders Series 30



XX = Screw for stroke regulation

DIMENSIONS																	
Mod.	A	B	C	D	E	F ^{h7}	G	H	L	M	N	O	P	Q	R	S	T
30-050/090	48	62	162	36	2.5	15	25	5	5	25	G1/8	23	M8 x 1.25	46	98	8	8
30-063/090	60	76	186	41	2.5	17	30	6	5	30	G1/8	24	M10 x 1.5	57	117	8	12
30-080/090	72	92	195	50	3	20	35	6	5	35	G1/4	23,5	M12 x 1.75	70	142	9	13
30-100/090	85	112	247	60	4	25	40	8	5	40	G3/8	26	M12 x 1.75	85	172	9	14
30-050/180	48	62	199	36	2.5	15	25	5	5	25	G1/8	26	M8 x 1.25	46	98	8	8
30-063/180	60	76	237	41	2.5	17	30	6	5	30	G1/8	24	M10 x 1.5	57	117	8	12
30-080/180	72	92	245	50	3	20	35	6	5	35	G1/4	23,5	M12 x 1.75	70	142	9	13
30-100/180	85	112	313	60	4	25	40	8	5	40	G3/8	26	M12 x 1.75	85	172	9	14

Rotary cylinders Series 30



XX = Screw for stroke regulation

DIMENSIONS																	
Mod	A	B	C	D	E	F ^{h7}	G	H	L	M	N	O	P	Q	R	S	T
30-050/090-3	48	62	150	36	2.5	15	25	5	5	25	G1/8	17	M8 x 1.25	46	98	8	8
30-063/090-3	60	76	172	41	2.5	17	30	6	5	30	G1/8	17	M10 x 1.5	57	117	8	12
30-080/090-3	72	92	191	50	3	20	35	6	5	35	G1/4	21,5	M12 x 1.75	70	142	9	13
30-100/090-3	85	112	245	60	4	25	40	8	5	40	G3/8	25	M12 x 1.75	85	172	9	14
30-050/180-3	48	62	187	36	2.5	15	25	5	5	25	G1/8	17	M8 x 1.25	46	98	8	8
30-063/180-3	60	76	233	41	2.5	17	30	6	5	30	G1/8	17	M10 x 1.5	57	117	8	12
30-080/180-3	72	92	241	50	3	20	35	6	5	35	G1/4	21,5	M12 x 1.75	70	142	9	13
30-100/180-3	85	112	311	60	4	25	40	8	5	40	G3/8	25	M12 x 1.75	85	172	9	14