

**1 BODY MANUFACTURED FROM EXTRUDED ALUMINIUM UNI 6060:**  
 - Hard-coat anodized as standard finish 45-50 (micron).  
 - Good wear resistance.  
 - High corrosion resistance.  
 - Special finishes nichel-plating or PTFE coated upon request.  
 - Bore finished to high standard to ensure low friction and long life.

**2 CONCENTRING SPRING SETS**  
 - Standard coating painted.  
 - High resistance and reliability.  
 - Spring sets to suit different air pressure/torque requirements.  
 - Long securing screws to allow safe dismantling for maintenance.  
 - Same body dimensions for DA/RS versions.

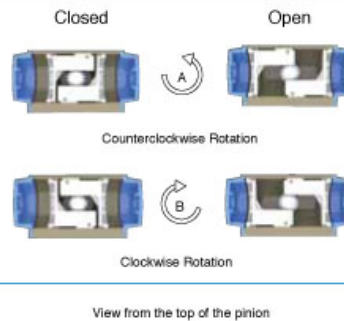
**3 DIE CAST ALUMINIUM END CAPS:**  
 - Standard polyester powder coated  
 - Upon request nickel - plated and or PTFE coated for corrosive environments.

**4 ASSEMBLING SCREW:**  
 - Stainless steel as standard.

**EXTERNAL CONNECTION:**  
 - Top of pinion according to Namur norm.  
 - Solenoid valve connection according to Namur norm.  
 - Bottom of pinion according to ISO 5211-DIN 3337.

**NOMINAL VALUES:**  
 - Pressure rating max 8 bar.  
 - Temperature range:  
 standard (-20°C; +85°C), high (-20°C; +150°C), low (-40°C; +85°C).  
 - Pre lubricated for life of actuator on assembly.  
 - Fully tested on manufacture 100%.

### MOUNTING VARIATIONS



**5 PINION MADE IN STEEL:**  
 - Nichel-plated for standard version against internal and external corrosion.  
 - Stainless steel for corrosive environments upon request.  
 - Anti-blowout design.

**6 CAM FOR LIMIT POSITION ADJUSTMENT 0°-90°**  
 - stainless steel.  
 - adjustment for open and close position  $\pm 5^\circ$ .

**7 0-90° ADJUSTMENT SCREWS**  
 - stainless steel.

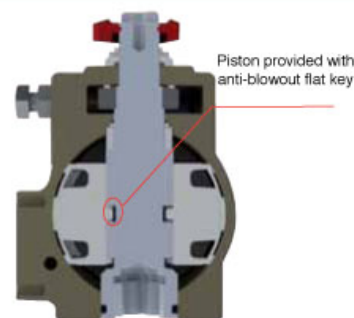
**8 PISTON GUIDES IN POM:**  
 - Large contact area.  
 - Low friction for self lubricating material.  
 - Long life.

**9 PISTONS MADE FROM DIE CAST ALUMINIUM:**  
 - Chemical nickel plating upon request.

**10 SEALS:**  
 - NBR standard version.  
 - Viton high temperature version.  
 - Silicon low temperature version.

**TWIN RACK AND PINION DESIGN:**  
 - Constant torque output.  
 - Compact design.  
 - Balanced internal forces.  
 - Robust design to ensure long life.

### ANTI-BLOWOUT SYSTEM



## ATTUATORE - ACTUATOR 0°-90°



### ATTUATORE PNEUMATICO DOPPIO EFFETTO "DA" DOUBLE ACTING PNEUMATIC ACTUATOR "DA"

MODELLO - MODEL	DA 32	DA 52	DA 63	DA 75	DA 85	DA 100	DA 115	DA 125	DA 140	DA 160	DA 200	DA 270
CODICE - CODE	80DA0007	80DA0010	80DA0012	80DA0075	80DA0014	80DA0018	80DA0070	80DA0019	80DA0020	80DA0079	80DA0021	80DA0077

### ATTUATORE PNEUMATICO SEMPLICE EFFETTO "SR" SPRING RETURN PNEUMATIC ACTUATOR "SR"


MODELLO - MODEL	SR 52	SR 63	SR 75	SR 85	SR 100	SR 115	SR 125	SR 140	SR 160	SR 200	SR 270
CODICE - CODE	80SR0010	80SR0012	80SR0075	80SR0014	80SR0018	80SR0070	80SR0019	80SR0020	80SR0079	80SR0021	80SR0077

## ATTUATORE - ACTUATOR 0° - 180°



### VERSIONE ROTAZIONE 0° - 180° - VERSION 0° - 180°

MODELLO - MODEL	DA 52	DA 63	DA 75	DA 85	DA 100	DA 115	DA 125	DA 140	DA 160
CODICE - CODE	81DA0010	81DA0012	81DA0075	81DA0014	81DA0018	81DA0070	81DA0019	81DA0020	81DA0079

 Da aggiungere al prezzo base dell'attuatore o del gruppo con valvola.

 To be added to the pneumatic actuator base price or valve + actuator base price.


	32	52	63	75	85	100	115	125	140	160	200	270
<b>KIT PER DOPPIA REGOLAZIONE</b>												
DOUBLE ADJUSTMENT KIT	€	-	-	-	-	-	-	-	-	-	-	-
CODICE - CODE DA	-	-	-	-	-	-	-	-	-	80DA2579	80DA2521	80DA2577
CODICE - CODE SR	-	-	-	-	-	-	-	-	-	80SR2579	80SR2521	80SR2577
<b>ALTA TEMPERATURA</b>												
HIGH TEMPERATURE	€	-	-	-	-	-	-	-	-	-	-	-
CODICE - CODE DA	80DA0407	80DA0410	80DA0412	80DA0475	80DA0414	80DA0418	80DA0470	80DA0419	80DA0420	80DA0479	80DA0421	80DA0477
CODICE - CODE SR	-	80SR0410	80SR0412	80SR0475	80SR0414	80SR0418	80SR0470	80SR0419	80SR0420	80SR0479	80SR0421	80SR0477
<b>BASSA TEMPERATURA -40°C</b>												
LOW TEMPERATURE -40°C	€	-	-	-	-	-	-	-	-	-	-	-
CODICE - CODE DA	-	80DA1210	80DA1212	80DA1275	80DA1214	80DA1218	80DA1270	80DA1219	80DA1220	80DA1279	80DA1221	80DA1277
CODICE - CODE SR	-	80SR1210	80SR1212	80SR1275	80SR1214	80SR1218	80SR1270	80SR1219	80SR1220	80SR1279	80SR1221	80SR1277
<b>PIGNONE CON ASOLA</b>												
PINION WITH OVAL. CONN.	€	-	-	-	-	-	-	-	-	-	-	-
CODICE - CODE DA	80DA0507	80DA0510	80DA0512	80DA0575	80DA0514	80DA0518	80DA0570	80DA0519	80DA0520	80DA0579	80DA0521	80DA0577
CODICE - CODE SR	-	80SR0510	80SR0512	80SR0575	80SR0514	80SR0518	80SR0570	80SR0519	80SR0520	80SR0579	80SR0521	80SR0577
<b>PIGNONE INOX 303</b>												
PINION STAINLESS STEEL 303	€	-	-	-	-	-	-	-	-	-	-	-
CODICE - CODE DA	80DA0907	80DA0910	80DA0912	80DA0975	80DA0914	80DA0918	80DA0970	80DA0919	80DA0920	80DA0979	80DA0921	80DA0977
CODICE - CODE SR	-	80SR0910	80SR0912	80SR0975	80SR0914	80SR0918	80SR0970	80SR0919	80SR0920	80SR0979	80SR0921	80SR0977
<b>FORATURA ISO 5211 F04</b>												
DRILLING ISO 5211 F04	€	-	-	-	-	-	-	-	-	-	-	-
CODICE - CODE DA	-	80DA0610	-	-	-	-	-	-	-	-	-	-
CODICE - CODE SR	-	80SR0610	-	-	-	-	-	-	-	-	-	-
<b>ATTUATORE NICHELATO*</b>												
NICKEL PLATED ACTUATOR*	€	-	-	-	-	-	-	-	-	-	-	-
CODICE - CODE DA	80DA1007	80DA1010	80DA1012	80DA1075	80DA1014	80DA1018	80DA1070	80DA1019	80DA1020	80DA1079	80DA1021	80DA1077
CODICE - CODE SR	-	80SR1010	80SR1012	80SR1075	80SR1014	80SR1018	80SR1070	80SR1019	80SR1020	80SR1079	80SR1021	80SR1077
<b>ATTUATORE VERNICIATO BASE PTFE*</b>												
PTFE COATED ACTUATOR*	€	-	-	-	-	-	-	-	-	-	-	-
CODICE - CODE DA	80DAB607	80DAB610	80DAB612	80DAB675	80DAB614	80DAB618	80DAB670	80DAB619	80DAB620	80DAB679	80DAB621	80DAB677
CODICE - CODE SR	-	80SRB610	80SRB612	80SRB675	80SRB614	80SRB618	80SRB670	80SRB619	80SRB620	80SRB679	80SRB621	80SRB677

\* Il trattamento comprende tappi e cilindro. Per ulteriori varianti consultare l'ufficio commerciale.

\* The treatment includes caps and cylinder. For any other execution please contact our offices.

**Certificazione ATEX codice ETI035 € 1,00 netto ogni art. - ATEX certification cod. ETI035 € 1,00 net each art.**

## Art. 8P0001 - 8P0002

 Valvola a sfera 2 vie [Valpres Art. 700000], acciaio inox AISI 316, filettata F/F, con attuatore.

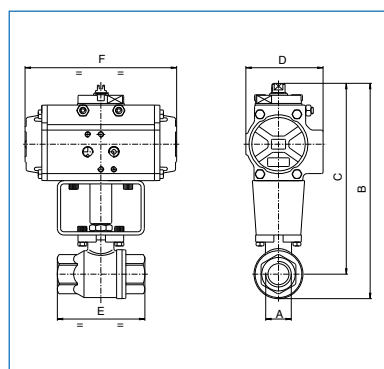
 2 way ball valve [Valpres Art. 700000], stainless steel AISI 316, threaded F/F, with actuator.



### Art. 8P0001

VALVOLA CON ATTUATORE DOPPIO EFFETTO  
VALVE WITH DOUBLE ACTING ACTUATOR

PN	140	140	140	105	105	64	64	64	25	25	25	
DN												
A	1/4"	3/8"	1/2"	3/4"	1"	1"1/4	1"1/2	2"	2"1/2	3"	4"	
B	121	121	127	198	207	217	256	287	325	347	413	
C	106	106	109	176	180	185	216	239	264	275	324	
D	45	45	45	71	71	71	81	95	106	106	123	
E	56	56	66	79	93	100	110	131	159	185	222	
F	110	110	110	140	140	140	162	207	238	238	272	
ACT.	DA 32	DA 32	DA 32	DA 52	DA 52	DA 52	DA 63	DA 75	DA 85	DA 85	DA 100	
RI	3784	3784	3784	3781	3030	3030	3031	3034	3003	3003	3004	





### Art. 8P0002

VALVOLA CON ATTUATORE SEMPLICE EFFETTO  
VALVE WITH SPRING RETURN ACTUATOR

PN	140	140	140	105	105	64	64	64	25	25	25	
DN												
A	1/4"	3/8"	1/2"	3/4"	1"	1"1/4	1"1/2	2"	2"1/2	3"	4"	
B	145	145	151	209	218	228	284	311	388	422	455	
C	130	130	133	187	191	196	244	264	327	350	366	
D	71	71	71	81	81	81	106	123	137	148	148	
E	56	56	66	79	93	100	110	131	159	185	222	
F	140	140	140	162	162	162	238	272	328	366	366	
ACT.	SR 52	SR 52	SR 52	SR 63	SR 63	SR 63	SR 85	SR 100	SR 115	SR 125	SR 125	
RI	3782	3782	3782	3783	3033	3033	3034	3034	3010	3010	3005	

## Art. 8P0003 - 8P0004

 Valvola a sfera 2 vie [Valpres Art. 703000], in acciaio inox AISI 316, filettata F/F, con attuatore. Non idonea per impieghi con solventi.

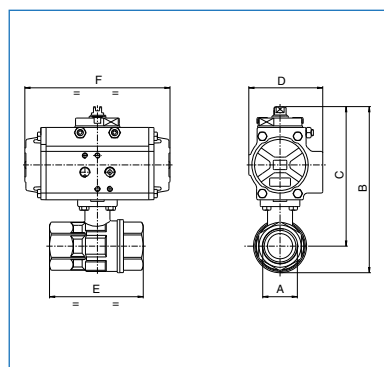
 2 way ball valve [Valpres Art. 703000], in stainless steel AISI 316, threaded F/F, with actuator. Not suitable for use with solvents.



### Art. 8P0003

VALVOLA CON ATTUATORE DOPPIO EFFETTO  
VALVE WITH DOUBLE ACTING ACTUATOR

PN	64	64	64	64	64	64
DN						
A	1/2"	3/4"	1"	1"1/4	1"1/2	2"
B	115	121	136	146	191	211
C	98	100	110	113	153	162
D	45	45	45	45	71	71
E	67	78	90	100	112	135
F	110	110	110	110	140	140
ACT.	DA 32	DA 32	DA 32	DA 32	DA 52	DA 52
RI	4015	4015	4015	4015	4016	4016




### Art. 8P0004

VALVOLA CON ATTUATORE SEMPLICE EFFETTO  
VALVE WITH SPRING RETURN ACTUATOR

PN	64	64	64	64	64	64
DN						
A	1/2"	3/4"	1"	1"1/4	1"1/2	2"
B	140	145	160	170	202	222
C	122	124	134	138	164	173
D	71	71	71	71	81	81
E	67	78	90	100	112	135
F	140	140	140	140	162	162
ACT.	SR 52	SR 52	SR 52	SR 52	SR 63	SR 63
RI	4017	4017	4017	4017	4018	4018

## Art. 8P0263 - 8P0264 NEW

 Valvola a sfera 2 vie lucida, acciaio inox AISI 316, con guarnizioni PTFE vergine, filettata F/F, con attuatore.

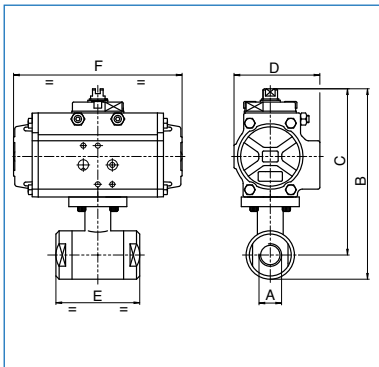
 2 way stainless steel valve AISI 316, polished, seals in PTFE, threaded F/F, with actuator.



Art. 8P0263

VALVOLA CON ATTUATORE DOPPIO EFFETTO  
VALVE WITH DOUBLE ACTING ACTUATOR

PN	64	64	64	64	40	40	40	25	25	25	25
DN	1/4"	3/8"	1/2"	3/4"	1"	1 1/4"	1 1/2"	2"	2 1/2"	3"	4"
A	144	144	149	156	178	187	214	230	279	301	331
B	129	129	131	135	152	157	177	185	223	235	249
C	71	71	71	71	81	81	81	81	106	106	106
D	52	52	62	72	82	92	104	116	128	150	178
E	140	140	140	140	162	162	162	162	238	238	238
ACT.	DA 52	DA 52	DA 52	DA 52	DA 63	DA 63	DA 63	DA 63	DA 85	DA 85	DA 85




Art. 8P0264

VALVOLA CON ATTUATORE SEMPLICE EFFETTO  
VALVE WITH SPRING RETURN ACTUATOR

PN	64	64	64	64	40	40	40	25	25	25	25
DN	1/4"	3/8"	1/2"	3/4"	1"	1 1/4"	1 1/2"	2"	2 1/2"	3"	4"
A	144	144	149	156	206	215	242	258	292	356	386
B	129	129	131	135	180	185	205	213	236	290	304
C	71	71	71	71	106	106	106	106	123	148	148
D	52	52	62	72	82	92	104	116	128	150	178
E	140	140	140	140	238	238	238	238	272	366	366
ACT.	SR 52	SR 52	SR 52	SR 52	SR 85	SR 85	SR 85	SR 85	SR 100	SR 125	SR 125

## Art. 8P0007 F/F - 8P0013 F/F - 8P0008 SW - 8P0014 SW - 8P0009 BW - 8P0015 BW

 Valvola a sfera 2 vie in tre pezzi [Valpres Artt. 710000 F/F - 711000 SW - 712000 BW], acciaio inox AISI 316, con attuatore.

 2 way, three piece ball valve [Valpres Artt. 710000 F/F - 711000 SW - 712000 BW], stainless steel AISI 316, with actuator.

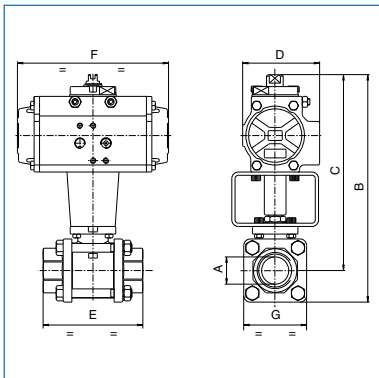
• Solo per F/F - Only for F/F



Art. 8P0007 F/F - 8P0008 SW - 8P0009 BW

VALVOLA CON ATTUATORE DOPPIO EFFETTO  
VALVE WITH DOUBLE ACTING ACTUATOR

PN	64	64	64	40	40	25	25	25	16	16	16
DN	1/4"	3/8"	1/2"	3/4"	1"	1 1/4"	1 1/2"	2"	2 1/2"	3"	4"
A	128	128	135	200	210	218	254	284	331	356	419
B	111	111	116	176	181	185	216	239	264	275	324
C	45	45	45	71	71	71	81	95	106	106	123
D	57	57	65	76	92	107	116	136	154	180	217
E	110	110	110	140	140	140	162	207	238	238	272
F	33	33	38	47	58	67	76	90	134	161	190
ACT.	DA 32	DA 32	DA 32	DA 52	DA 52	DA 52	DA 63	DA 75	DA 85	DA 85	DA 100
RI	3015	3015	3789	3781	3030	3030	3031	3034	3003	3003	3004



Art. 8P0013 F/F - 8P0014 SW - 8P0015 BW

VALVOLA CON ATTUATORE SEMPLICE EFFETTO  
VALVE WITH SPRING RETURN ACTUATOR

PN	64	64	64	40	40	25	25	25	16	16	16
DN	1/4"	3/8"	1/2"	3/4"	1"	1 1/4"	1 1/2"	2"	2 1/2"	3"	4"
A	152	152	159	211	221	229	282	309	394	431	461
B	136	136	140	187	192	196	244	264	327	350	366
C	71	71	71	81	81	81	106	123	137	148	148
D	57	57	65	76	92	107	116	136	154	180	217
E	140	140	140	162	162	162	238	272	328	366	366
F	33	33	38	47	58	67	76	90	134	161	190
ACT.	SR 52	SR 52	SR 52	SR 63	SR 63	SR 63	SR 85	SR 100	SR 115	SR 125	SR 125
RI	3021	3021	3790	3783	3033	3033	3034	3034	3010	3010	3005

## Art. 8P0010 F/F vap - 8P0016 F/F vap - 8P0011 SW vap - 8P0017 SW vap 8P0012 BW vap - 8P0018 BW vap

 Valvola a sfera 2 vie in tre pezzi [Valpres Artt. 710060 F/F vap PN15 - 710061 SW vap PN15 - 710062 BW vap PN15], per VAPORE, acciaio inox AISI 316, con attuatore.

 2 way, three piece ball valve, [Valpres Artt. 710060 F/F vap PN15 - 710061 SW vap PN15 - 710062 BW vap PN15] for STEAM, stainless steel AISI 316, with actuator.

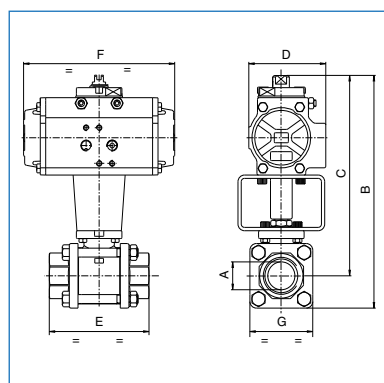
\* Solo per F/F - Only for F/F



### Art. 8P0010 F/F vap - 8P0011 SW vap 8P0012 BW vap

VALVOLA CON ATTUATORE DOPPIO EFFETTO  
VALVE WITH DOUBLE ACTING ACTUATOR

PN	•15	15	15	15	15	15	15	15	15	15	15
DN											
A	1/4"	3/8"	1/2"	3/4"	1"	1"1/4	1"1/2	2"	2"1/2	3"	4"
B	128	128	135	200	210	218	254	284	331	356	419
C	111	111	116	176	181	185	216	239	264	275	324
D	45	45	45	71	71	71	81	95	106	106	123
E	57	57	65	76	92	107	116	136	154	180	217
F	110	110	110	140	140	140	162	207	238	238	272
G	33	33	38	47	58	67	76	90	134	161	190
ACT.	DA 32	DA 32	DA 32	DA 52	DA 52	DA 52	DA 63	DA 75	DA 85	DA 85	DA 100
RI	3015	3015	3789	3781	3030	3030	3031	3034	3003	3003	3004



### Art. 8P0016 F/F vap - 8P0017 SW vap 8P0018 BW vap

VALVOLA CON ATTUATORE SEMPLICE EFFETTO  
VALVE WITH SPRING RETURN ACTUATOR

PN	•15	15	15	15	15	15	15	15	15	15	15
DN											
A	1/4"	3/8"	1/2"	3/4"	1"	1"1/4	1"1/2	2"	2"1/2	3"	4"
B	152	152	162	159	221	229	282	309	394	431	461
C	136	136	143	140	192	196	244	264	327	350	366
D	71	71	71	81	81	81	106	123	137	148	148
E	57	57	65	76	92	107	116	136	154	180	217
F	140	140	140	162	162	162	238	272	328	366	366
G	33	33	38	47	58	67	76	90	134	161	190
ACT.	SR 52	SR 52	SR 52	SR 63	SR 63	SR 63	SR 85	SR 100	SR 115	SR 125	SR 125
RI	3021	3021	3790	3783	3033	3033	3034	3034	3010	3010	3005

## Art. 8P0019 F/F - 8P0025 F/F - 8P0020 SW - 8P0026 SW - 8P0021 BW - 8P0027 BW

 Valvola a sfera 2 vie in tre pezzi [Valpres Artt. 713000 F/F - 714000 SW - 715000 BW], acciaio al carbonio ASTM A105, con sfera e asta inox AISI 304, con attuatore.

 2 way, three piece ball valve [Valpres Artt. 713000 F/F - 714000 SW - 715000 BW], carbon steel ASTM A105, with ball and stem in stainless steel AISI 304, with actuator.

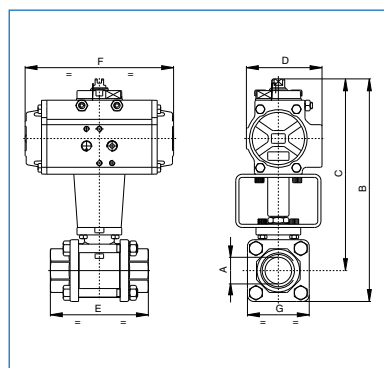
\* Solo per F/F - Only for F/F



### Art. 8P0019 F/F - 8P0020 SW - 8P0021 BW

VALVOLA CON ATTUATORE DOPPIO EFFETTO  
VALVE WITH DOUBLE ACTING ACTUATOR

PN	•64	64	64	40	40	25	25	25	16	16	16
DN											
A	1/4"	3/8"	1/2"	3/4"	1"	1"1/4	1"1/2	2"	2"1/2	3"	4"
B	128	128	135	200	210	218	254	284	331	356	419
C	111	111	116	176	181	185	216	239	264	275	324
D	45	45	45	71	71	71	81	95	106	106	123
E	57	57	65	76	92	107	116	136	154	180	217
F	110	110	110	140	140	140	162	207	238	238	272
G	33	33	38	47	58	67	76	90	134	161	190
ACT.	DA 32	DA 32	DA 32	DA 52	DA 52	DA 52	DA 63	DA 75	DA 85	DA 85	DA 100
RI	3015	3015	3789	3781	3030	3030	3031	3034	3003	3003	3004





### Art. 8P0025 F/F - 8P0026 SW - 8P0027 BW

VALVOLA CON ATTUATORE SEMPLICE EFFETTO  
VALVE WITH SPRING RETURN ACTUATOR

PN	•64	64	64	40	40	25	25	25	16	16	16
DN											
A	1/4"	3/8"	1/2"	3/4"	1"	1"1/4	1"1/2	2"	2"1/2	3"	4"
B	152	152	159	211	221	229	282	309	394	431	461
C	136	136	140	187	192	196	244	264	327	350	366
D	71	71	71	81	81	81	106	123	137	148	148
E	57	57	65	76	92	107	116	136	154	180	217
F	140	140	140	162	162	162	238	272	328	366	366
G	33	33	38	47	58	67	76	90	134	161	190
ACT.	SR 52	SR 52	SR 52	SR 63	SR 63	SR 63	SR 85	SR 100	SR 115	SR 125	SR 125
RI	3021	3021	3790	3783	3033	3033	3034	3034	3010	3010	3005

## Art. 8P0022 F/F vap - 8P0028 F/F vap - 8P0023 SW vap - 8P0029 SW vap 8P0024 BW vap - 8P0030 BW vap

 Valvola a sfera 2 vie in tre pezzi [Valpres Artt. 710063 F/F vap PN15 - 710064 SW vap PN15 - 710065 BW vap PN15], per VAPORE, acciaio al carbonio ASTM A105, con sfera e asta inox AISI 304, con attuatore.

 2 way, three piece ball valve [Valpres Artt. 710063 F/F vap PN15 - 710064 SW vap PN15 - 710065 BW vap PN15], for STEAM, carbon steel ASTM A105, with ball and stem in stainless steel AISI 304, with actuator.

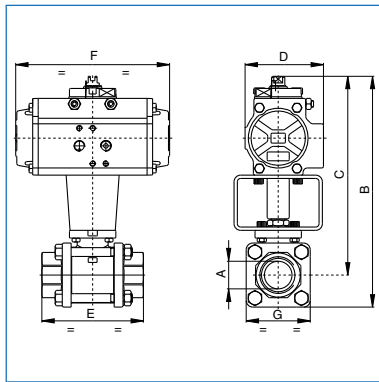
\* Solo per F/F - Only for F/F



### Art. 8P0022 F/F vap - 8P0023 SW vap 8P0024 BW vap

VALVOLA CON ATTUATORE DOPPIO EFFETTO  
VALVE WITH DOUBLE ACTING ACTUATOR

PN	• 15	15	15	15	15	15	15	15	15	15	15
DN											
A	1/4"	3/8"	1/2"	3/4"	1"	1"1/4	1"1/2	2"	2"1/2	3"	4"
B	128	128	135	200	210	218	254	284	331	356	419
C	111	111	116	176	181	185	216	239	264	275	324
D	45	45	45	71	71	71	81	95	106	106	123
E	57	57	65	76	92	107	116	136	154	180	217
F	110	110	110	140	140	140	162	207	238	238	272
G	33	33	38	47	58	67	76	90	134	161	190
ACT.	DA 32	DA 32	DA 32	DA 52	DA 52	DA 52	DA 63	DA 75	DA 85	DA 85	DA 100
RI	3015	3015	3789	3781	3030	3030	3031	3034	3003	3003	3004



### Art. 8P0028 F/F vap - 8P0029 SW vap 8P0030 BW vap

VALVOLA CON ATTUATORE SEMPLICE EFFETTO  
VALVE WITH SPRING RETURN ACTUATOR

PN	• 15	15	15	15	15	15	15	15	15	15	15
DN											
A	1/4"	3/8"	1/2"	3/4"	1"	1"1/4	1"1/2	2"	2"1/2	3"	4"
B	152	152	159	211	221	229	282	309	394	431	461
C	136	136	140	187	192	196	244	264	327	350	366
D	71	71	71	81	81	81	106	123	137	148	148
E	57	57	65	76	92	107	116	136	154	180	217
F	140	140	140	162	162	162	238	272	328	366	366
G	33	33	38	47	58	67	76	90	134	161	190
ACT.	SR 52	SR 52	SR 52	SR 63	SR 63	SR 63	SR 85	SR 100	SR 115	SR 125	SR 125
RI	3021	3021	3790	3783	3033	3033	3034	3034	3010	3010	3005

## Art. 8P0231 - 8P0232

 Valvola a sfera [Valpres Art. 725000], flangiata tipo "WAFER", acciaio inox CF8M ANSI 150, a passaggio totale con attuatore.

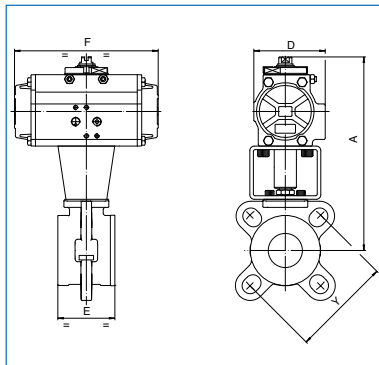
 "Wafer" type full bore ball valve [Valpres Art. 725000], CF8M, ANSI 150, with actuator.



### Art. 8P0231

VALVOLA CON ATTUATORE DOPPIO EFFETTO  
VALVE WITH DOUBLE ACTING ACTUATOR

DN	25	32	40	50	65	80	100
PN	20	20	20	20	20	20	20
A	188	192	218	243	277	286	312
D	71	71	81	95	106	106	123
E	46	54	64	82	103	122	152
F	140	140	162	207	238	238	272
Y	PN10-PN16 ANSI 150	PN10-PN16 ANSI 150	PN10-PN16 ANSI 150	PN10-PN16 ANSI 150	PN10-PN16 ANSI 150	PN10-PN16 ANSI 150	PN10-PN16 ANSI 150
ACT.	DA 52	DA 52	DA 63	DA 75	DA 85	DA 85	DA 100
RI	4230	4230	4231	4232	4233	4233	4233




### Art. 8P0232

VALVOLA CON ATTUATORE SEMPLICE EFFETTO  
VALVE WITH SPRING RETURN ACTUATOR

DN	25	32	40	50	65	80	100
PN	20	20	20	20	20	20	20
A	199	203	246	267	320	341	354
D	81	81	106	123	137	148	148
E	46	54	64	82	103	122	152
F	162	162	238	272	328	366	366
Y	PN10-PN16 ANSI 150	PN10-PN16 ANSI 150	PN10-PN16 ANSI 150	PN10-PN16 ANSI 150	PN10-PN16 ANSI 150	PN10-PN16 ANSI 150	PN10-PN16 ANSI 150
ACT.	SR 63	SR 63	SR 85	SR 100	SR 115	SR 125	SR 125
RI	4234	4234	4232	4232	4235	4235	4235

## Art. 8P0032 - 8P0034

 Valvola a sfera 2 vie [Valpres Art. 721000 AISI 316], flangiata tipo "WAFER", acciaio inox AISI 316, con attuatore.

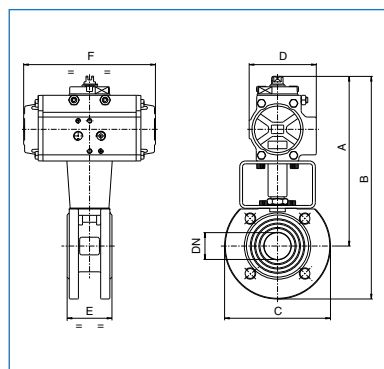
 2 way "WAFER" ball valve [Valpres Art. 721000 AISI 316], flanged, stainless steel AISI 316, with actuator.



Art. 8P0032

VALVOLA CON ATTUATORE DOPPIO EFFETTO  
VALVE WITH DOUBLE ACTING ACTUATOR

DN	15	20	25	32	40	50	65	80	100	125	150	200
PN	16	16	16	16	16	16	16	16	16	16	16	16
A	147	176	181	188	214	239	265	275	324	377	414	ART. 8P0117
B	192	226	236	253	289	322	358	375	434	502	556	
C	90	100	110	130	150	165	185	200	220	250	285	
D	45	71	71	71	81	95	106	106	123	137	148	
E	35	40	46	54	64	82	103	122	152	196	232	
F	110	140	140	140	162	207	238	238	272	328	366	
ACT.	DA 32	DA 52	DA 52	DA 52	DA 63	DA 75	DA 85	DA 85	DA 100	DA 115	DA 125	
RI	3012	3013	3001	3008	3002	3009	3003	3003	3004	3005	3006	




Art. 8P0034

VALVOLA CON ATTUATORE SEMPLICE EFFETTO  
VALVE WITH SPRING RETURN ACTUATOR

DN	15	20	25	32	40	50	65	80	100	125	150	200
PN	16	16	16	16	16	16	16	16	16	16	16	16
A	171	187	192	199	242	264	328	350	366	411	448	ART. 8P0118
B	216	237	247	264	317	346	421	450	476	536	591	
C	90	100	110	130	150	165	185	200	220	250	285	
D	71	81	81	81	106	123	137	148	148	164	187	
E	35	40	46	54	64	82	103	122	152	196	232	
F	140	162	162	162	238	272	328	366	366	428	522	
ACT.	SR 52	SR 63	SR 63	SR 63	SR 85	SR 100	SR 115	SR 125	SR 125	SR 140	SR 160	
RI	3780	3014	3007	3048	3009	3009	3010	3010	3005	3037	3039	

## Art. 8P0031 - 8P0033

 Valvola a sfera 2 vie [Valpres Art. 720000 AISI 304], flangiata tipo "WAFER", acciaio inox AISI 304, con attuatore.

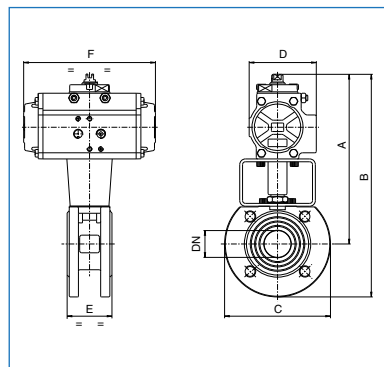
 2 way "WAFER" ball valve [Valpres Art. 720000 AISI 304], flanged, stainless steel AISI 304, with actuator.



Art. 8P0031

VALVOLA CON ATTUATORE DOPPIO EFFETTO  
VALVE WITH DOUBLE ACTING ACTUATOR

DN	15	20	25	32	40	50	65	80	100	125	150	200
PN	16	16	16	16	16	16	16	16	16	16	16	16
A	147	176	181	188	214	239	265	275	324	377	414	ART. 8P0117
B	192	226	236	253	289	322	358	375	434	502	556	
C	90	100	110	130	150	165	185	200	220	250	285	
D	45	71	71	71	81	95	106	106	123	137	148	
E	35	40	46	54	64	82	103	122	152	196	232	
F	110	140	140	140	162	207	238	238	272	328	366	
ACT.	DA 32	DA 52	DA 52	DA 52	DA 63	DA 75	DA 85	DA 85	DA 100	DA 115	DA 125	
RI	3012	3013	3001	3008	3002	3009	3003	3003	3004	3005	3006	




Art. 8P0033


VALVOLA CON ATTUATORE SEMPLICE EFFETTO  
VALVE WITH SPRING RETURN ACTUATOR

DN	15	20	25	32	40	50	65	80	100	125	150	200
PN	16	16	16	16	16	16	16	16	16	16	16	16
A	171	187	192	199	242	264	328	350	366	411	448	ART. 8P0118
B	216	237	247	264	317	346	421	450	476	536	591	
C	90	100	110	130	150	165	185	200	220	250	285	
D	71	81	81	81	106	123	137	148	148	164	187	
E	35	40	46	54	64	82	103	122	152	196	232	
F	140	162	162	162	238	272	328	366	366	428	522	
ACT.	SR 52	SR 63	SR 63	SR 63	SR 85	SR 100	SR 115	SR 125	SR 125	SR 140	SR 160	
RI	3780	3014	3007	3048	3009	3009	3010	3010	3005	3037	3039	



## Art. 8P0035 - 8P0037

 Valvola a sfera 2 vie [Valpres Art. 722000], flangiata tipo "WAFER", acciaio al carbonio ASTM A105, con sfera e asta inox AISI 304, con attuatore.

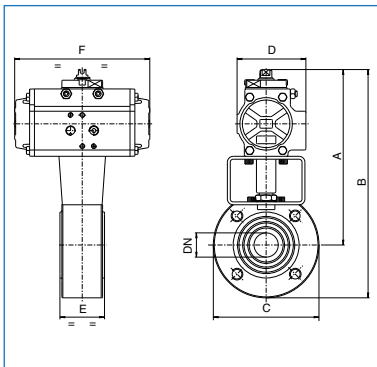
 2 way "WAFER" ball valve [Valpres Art. 722000], flanged, carbon steel ASTM A105, with ball and stem in stainless steel AISI 304, with actuator.



### Art. 8P0035

VALVOLA CON ATTUATORE DOPPIO EFFETTO  
VALVE WITH DOUBLE ACTING ACTUATOR

DN	15	20	25	32	40	50	65	80	100	125	150	200
PN	16	16	16	16	16	16	16	16	16	16	16	16
A	147	176	181	188	214	239	265	276	324	379	415	ART. 8P0119
B	192	226	236	253	284	314	353	371	434	505	577	
C	90	100	110	130	140	150	175	190	220	250	304	
D	45	71	71	71	81	95	106	106	123	137	148	
E	35	40	46	54	64	82	103	122	152	196	232	
F	110	140	140	140	162	207	238	238	272	328	366	
ACT.	DA 32	DA 52	DA 52	DA 52	DA 63	DA 75	DA 85	DA 85	DA 100	DA 115	DA 125	
RI	3012	3013	3001	3008	3002	3009	3003	3003	3004	3005	3006	




### Art. 8P0037

VALVOLA CON ATTUATORE SEMPLICE EFFETTO  
VALVE WITH SPRING RETURN ACTUATOR

DN	15	20	25	32	40	50	65	80	100	125	150	200
PN	16	16	16	16	16	16	16	16	16	16	16	16
A	171	187	192	199	242	264	328	351	366	411	448	ART. 8P0120
B	216	237	247	264	312	339	416	445	476	536	598	
C	90	100	110	130	140	150	175	190	220	250	300	
D	71	81	81	81	106	123	137	148	148	164	187	
E	35	40	46	54	64	82	103	122	152	196	232	
F	140	162	162	162	238	272	328	366	366	428	522	
ACT.	SR 52	SR 63	SR 63	SR 63	SR 85	SR 100	SR 115	SR 125	SR 125	SR 140	SR 160	
RI	3780	3014	3007	3048	3009	3009	3010	3010	3005	3037	3039	

## Art. 8P0036 - 8P0038

 Valvola a sfera 2 vie [Valpres Art. 720001], flangiata tipo "WAFER", acciaio al carbonio ASTM A105, con sfera in ottone cromato e asta inox AISI 304, con attuatore.

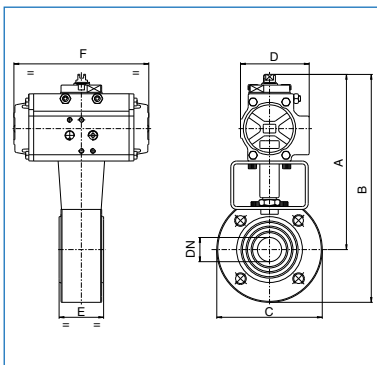
 2 way "WAFER" ball valve [Valpres Art. 720001], flanged, carbon steel ASTM A105, with chrome plated ball and stem in stainless steel AISI 304, with actuator.



### Art. 8P0036

VALVOLA CON ATTUATORE DOPPIO EFFETTO  
VALVE WITH DOUBLE ACTING ACTUATOR

DN	15	20	25	32	40	50	65	80	100	125	150	200
PN	16	16	16	16	16	16	16	16	16	16	16	16
A	147	176	181	188	214	239	265	276	324	379	415	ART. 8P0119
B	192	226	236	253	284	314	353	371	434	505	577	
C	90	100	110	130	140	150	175	190	220	250	304	
D	45	71	71	71	81	95	106	106	123	137	148	
E	35	40	46	54	64	82	103	122	152	196	232	
F	110	140	140	140	162	207	238	238	272	328	366	
ACT.	DA 32	DA 52	DA 52	DA 52	DA 63	DA 75	DA 85	DA 85	DA 100	DA 115	DA 125	
RI	3012	3013	3001	3008	3002	3009	3003	3003	3004	3005	3006	




### Art. 8P0038

VALVOLA CON ATTUATORE SEMPLICE EFFETTO  
VALVE WITH SPRING RETURN ACTUATOR

DN	15	20	25	32	40	50	65	80	100	125	150	200
PN	16	16	16	16	16	16	16	16	16	16	16	16
A	171	187	192	199	242	264	328	351	366	411	448	ART. 8P0120
B	216	237	247	264	312	339	416	445	476	536	598	
C	90	100	110	130	140	150	175	190	220	250	300	
D	71	81	81	81	106	123	137	148	148	164	187	
E	35	40	46	54	64	82	103	122	152	196	232	
F	140	162	162	162	238	272	328	366	366	428	522	
ACT.	SR 52	SR 63	SR 63	SR 63	SR 85	SR 100	SR 115	SR 125	SR 125	SR 140	SR 160	
RI	3780	3014	3007	3048	3009	3009	3010	3010	3005	3037	3039	

## Art. 8P0039 - 8P0040

 Valvola a sfera 2 vie [Valpres Art. 720212], flangiata tipo "WAFER" ANSI 300, acciaio inox AISI 316-CF8M, con attuatore.

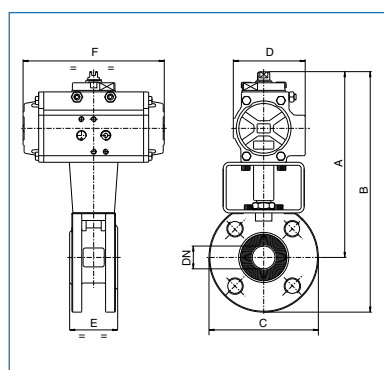
 2 way "WAFER" ball valve [Valpres Art. 720212], flanged ANSI 300, stainless steel AISI 316-CF8M, with actuator.



Art. 8P0039

VALVOLA CON ATTUATORE DOPPIO EFFETTO  
VALVE WITH DOUBLE ACTING ACTUATOR

DN	15	20	25	32	40	50	65	80	100	150
PN	50	50	50	50	50	50	50	50	50	50
A	175	193	199	199	228	260	308	316	365	448
B	223	253	259	264	303	342	403	421	492	608
C	95	120	120	130	150	165	190	210	254	320
D	71	81	81	81	95	106	123	123	137	187
E	35	40	46	54	64	82	103	122	152	232
F	140	162	162	162	207	238	272	272	328	522
ACT.	DA 52	DA 63	DA 63	DA 63	DA 75	DA 85	DA 100	DA 100	DA 115	DA 160
RI	3805	3806	3807	3808	4244	3809	3810	3810	3811	3039




Art. 8P0040

VALVOLA CON ATTUATORE SEMPLICE EFFETTO  
VALVE WITH SPRING RETURN ACTUATOR

DN	15	20	25	32	40	50	65	80	100	150
PN	50	50	50	50	50	50	50	50	50	50
A	186	221	227	227	253	303	350	358	412	591
B	234	281	287	292	328	385	445	463	539	751
C	95	120	120	130	150	165	190	210	254	320
D	81	106	106	106	123	137	148	148	187	290
E	35	40	46	54	64	82	103	122	152	232
F	162	238	238	238	272	328	366	366	522	672
ACT.	SR 63	SR 85	SR 85	SR 85	SR 100	SR 115	SR 125	SR 125	SR 160	SR 270
RI	3812	3813	3814	3815	4244	3816	3817	3817	3818	3819

## Art. 8P0041 - 8P0042

 Valvola a sfera 2 vie [Valpres Art. 720232], flangiata tipo "WAFER" ANSI 300, acciaio al carbonio ASTM A105, con sfera e asta in acciaio inox AISI 304, con attuatore.

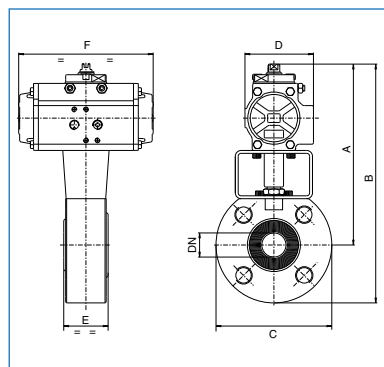
 2 way "WAFER" ball valve [Valpres Art. 720232], flanged ANSI 300, carbon steel ASTM A105 with ball and stem in stainless steel AISI 304, with actuator.



Art. 8P0041

VALVOLA CON ATTUATORE DOPPIO EFFETTO  
VALVE WITH DOUBLE ACTING ACTUATOR

DN	15	20	25	32	40	50	65	80	100	150
PN	50	50	50	50	50	50	50	50	50	50
A	175	193	199	199	228	260	308	316	365	448
B	223	253	259	264	303	342	403	421	492	608
C	95	120	120	130	150	165	190	210	254	320
D	71	81	81	81	95	106	123	123	137	187
E	35	40	46	54	64	82	103	122	152	232
F	140	162	162	162	207	238	272	272	328	522
ACT.	DA 52	DA 63	DA 63	DA 63	DA 75	DA 85	DA 100	DA 100	DA 115	DA 160
RI	3805	3806	3807	3808	4244	3809	3810	3810	3811	3039




Art. 8P0042

VALVOLA CON ATTUATORE SEMPLICE EFFETTO  
VALVE WITH SPRING RETURN ACTUATOR

DN	15	20	25	32	40	50	65	80	100	150
PN	50	50	50	50	50	50	50	50	50	50
A	186	221	227	227	253	303	350	358	412	591
B	234	281	287	292	328	385	445	463	539	751
C	95	120	120	130	150	165	190	210	254	320
D	81	106	106	106	123	137	148	148	187	290
E	35	40	46	54	64	82	103	122	152	232
F	162	238	238	238	272	328	366	366	522	672
ACT.	SR 63	SR 85	SR 85	SR 85	SR 100	SR 115	SR 125	SR 125	SR 160	SR 270
RI	3812	3813	3814	3815	4244	3816	3817	3817	3818	3819

## Art. 8P0125 - 8P0126

 Valvola a sfera "WAFER SPLIT" [Valpres Art. 763000], flangiata, in acciaio inox AISI 316, passaggio totale, Fire Safe, Antistatic Device, con attuatore.

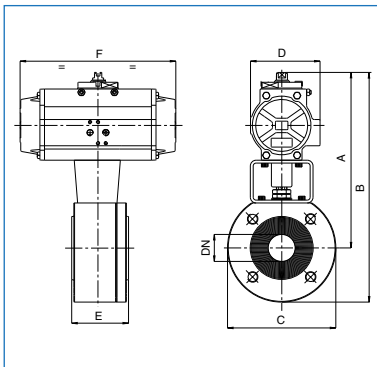
 "WAFER SPLIT" full bore flanged ball valve [Valpres Art. 763000], stainless steel AISI 316, Fire Safe, Antistatic Device, with actuator.



Art. 8P0125

VALVOLA CON ATTUATORE DOPPIO EFFETTO  
VALVE WITH DOUBLE ACTING ACTUATOR

DN	15	20	25	32	40	50	65	80	100
PN	40	40	40	40	40	40	16	16	16
A	148	174	185	188	224	252	271	279	323
B	195	227	243	258	299	334	364	379	433
C	95	105	115	140	150	165	185	200	220
D	45	71	71	71	81	95	106	106	123
E	53	53	57	65	79	85	103	122	155
F	110	140	140	140	162	207	238	238	272
ACT.	DA 32	DA 52	DA 52	DA 52	DA 63	DA 75	DA 85	DA 85	DA 100
RI	3518	3519	3542	4271	3521	4117	3545	3546	3552





Art. 8P0126

VALVOLA CON ATTUATORE SEMPLICE EFFETTO  
VALVE WITH SPRING RETURN ACTUATOR

DN	15	20	25	32	40	50	65	80	100
PN	40	40	40	40	40	40	16	16	16
A	172	185	196	199	252	276	314	334	365
B	220	238	254	269	327	359	407	434	475
C	95	105	115	140	150	165	185	200	220
D	71	81	81	81	106	123	137	148	148
E	53	53	57	65	79	85	103	122	155
F	140	162	162	162	238	272	328	366	366
ACT.	SR 52	SR 63	SR 63	SR 63	SR 85	SR 100	SR 115	SR 125	SR 125
RI	3519	3829	3547	4272	3526	4117	3550	3551	3528

## Art. 8P0127 - 8P0128

 Valvola a sfera "WAFER SPLIT" [Valpres Art. 764000], flangiata, in acciaio al carbonio ASTM A105, passaggio totale, Fire Safe, Antistatic Device, con attuatore.

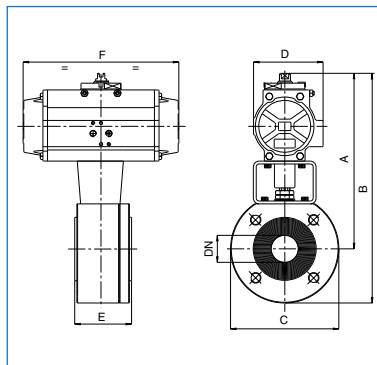
 "WAFER SPLIT" [Valpres Art. 764000], full bore flanged ball valve, carbon steel ASTM A105, Fire Safe, Antistatic Device, with actuator.



Art. 8P0127

VALVOLA CON ATTUATORE DOPPIO EFFETTO  
VALVE WITH DOUBLE ACTING ACTUATOR

DN	15	20	25	32	40	50	65	80	100
PN	40	40	40	40	40	40	16	16	16
A	148	174	185	188	224	252	271	279	323
B	195	227	243	258	299	334	364	379	433
C	95	105	115	140	150	165	185	200	220
D	45	71	71	71	81	95	106	106	123
E	53	53	57	65	79	85	103	122	155
F	110	140	140	140	162	207	238	238	272
ACT.	DA 32	DA 52	DA 52	DA 52	DA 63	DA 75	DA 85	DA 85	DA 100
RI	3518	3519	3542	4271	3521	4117	3545	3546	3552





Art. 8P0128

VALVOLA CON ATTUATORE SEMPLICE EFFETTO  
VALVE WITH SPRING RETURN ACTUATOR

DN	15	20	25	32	40	50	65	80	100
PN	40	40	40	40	40	40	16	16	16
A	172	185	196	199	252	276	314	334	365
B	220	238	254	269	327	359	407	434	475
C	95	105	115	140	150	165	185	200	220
D	71	81	81	81	106	123	137	148	148
E	53	53	57	65	79	85	103	122	155
F	140	162	162	162	238	272	328	366	366
ACT.	SR 52	SR 63	SR 63	SR 63	SR 85	SR 100	SR 115	SR 125	SR 125
RI	3519	3829	3547	4272	3526	4117	3550	3551	3528

## Art. 8P0117 - 8P0118

 Valvola a sfera "SPLIT BODY" [Valpres Art. 760000], flangiata DIN 3202 F4/F5, in acciaio inox CF8M-1.4408, passaggio totale, Fire Safe, Antistatic Device, con attuatore.

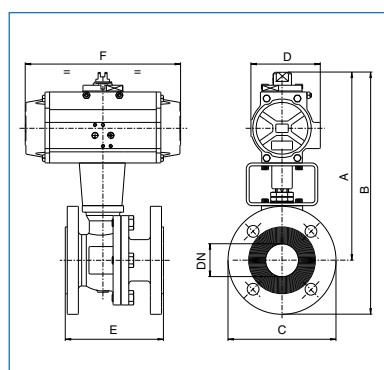
 "SPLIT BODY" [Valpres Art. 760000], full bore flanged ball valve, DIN 3202 F4/F5, stainless steel CF8M-1.4408, Fire Safe, Antistatic Device, with actuator.



Art. 8P0117

VALVOLA CON ATTUATORE DOPPIO EFFETTO  
VALVE WITH DOUBLE ACTING ACTUATOR

DN	15	20	25	32	40	50	65	80	100	125	150	200
PN	40	40	40	40	40	40	16	16	16	16	16	16
A	148	174	195	198	237	261	282	318	344	366	441	507
B	195	227	253	268	312	343	375	418	454	491	583	677
C	95	105	115	140	150	165	185	200	220	250	285	340
D	45	71	71	71	81	95	106	106	123	123	148	164
E	115	120	125	130	140	150	170	180	190	325	350	400
F	110	140	140	140	162	207	238	238	272	272	366	428
ACT.	DA 32	DA 52	DA 52	DA 52	DA 63	DA 75	DA 85	DA 85	DA 100	DA 100	DA 125	DA 140
RI	3518	3519	3520	3520	3521	3522	3522	3523	3552	3552	3553	3554




Art. 8P0118

VALVOLA CON ATTUATORE SEMPLICE EFFETTO  
VALVE WITH SPRING RETURN ACTUATOR

DN	15	20	25	32	40	50	65	80	100	125	150	200
PN	40	40	40	40	40	40	16	16	16	16	16	16
A	172	185	206	209	265	285	325	373	386	408	475	519
B	220	238	264	279	340	368	418	473	496	533	618	689
C	95	105	115	140	150	165	185	200	220	250	285	340
D	71	81	81	81	106	123	137	148	148	148	187	187
E	115	120	125	130	140	150	170	180	190	325	350	400
F	140	162	162	162	238	272	328	366	366	366	522	522
ACT.	SR 52	SR 63	SR 63	SR 63	SR 85	SR 100	SR 115	SR 125	SR 125	SR 125	SR 160	SR 160
RI	3519	3829	3525	3525	3526	3522	3527	3528	3528	3528	3554	3554

## Art. 8P0245 - 8P0247

 Valvola a sfera "SPLIT BODY" [Valpres Art. 760040], flangiata PN40, in acciaio inox CF8M-1.4408, passaggio totale, scartamento secondo norma DIN 3202 F4/F5, Fire Safe, Antistatic Device, con attuatore.

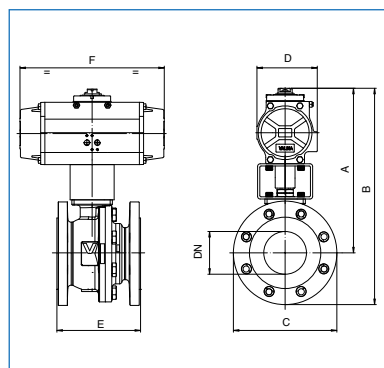
 "Split body" type flanged PN 40 ball valve [Valpres Art. 760040], CF8M-1.4408 full bore, DIN 3202 F4/F5 face to face dimension, Fire Safe, Antistatic Device with actuator.



Art. 8P0245

VALVOLA CON ATTUATORE DOPPIO EFFETTO  
VALVE WITH DOUBLE ACTING ACTUATOR

DN	15	20	25	32	40	50	65	80	100	150	200
PN	40	40	40	40	40	40	40	40	40	40	40
A	Art. 8P0117	Art. 8P0117	Art. 8P0117	Art. 8P0117	Art. 8P0117	Art. 8P0117	295	330	374	475	571
B							388	430	492	625	759
C							185	200	235	300	375
D							123	123	137	187	218
E							170	180	190	350	400
F							272	272	328	522	575
ACT.							DA 100	DA 100	DA 115	DA 160	DA 200
RI	3522	3552	3528	3554	3555						





Art. 8P0247

VALVOLA CON ATTUATORE SEMPLICE EFFETTO  
VALVE WITH SPRING RETURN ACTUATOR

DN	15	20	25	32	40	50	65	80	100	150	200
PN	40	40	40	40	40	40	40	40	40	40	40
A	Art. 8P0118	Art. 8P0118	Art. 8P0118	Art. 8P0118	Art. 8P0118	Art. 8P0118	337	372	420	658	703
B							430	472	538	808	891
C							185	200	235	300	375
D							148	148	187	290	290
E							170	180	190	350	400
F							366	366	522	672	672
ACT.							SR 125	SR 125	SR 160	SR 270	SR 270
RI	3527	3528	3997	3753	3753						

## Art. 8P0119 - 8P0120

 Valvola a sfera "SPLIT BODY" [Valpres Art. 760001], flangiata DIN 3202 F4/F5, in acciaio al carbonio WCB-1.0619, passaggio totale, Fire Safe, Antistatic Device, con attuatore.

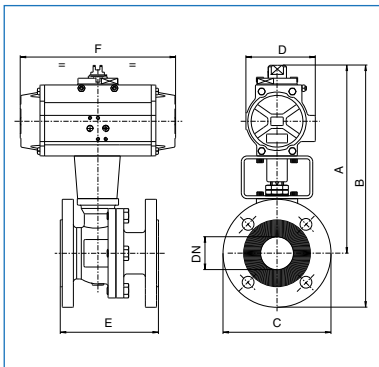
 "SPLIT BODY" [Valpres Art. 760001], full bore flanged ball valve, DIN 3202 F4/F5, carbon steel WCB-1.0619, Fire Safe, Antistatic Device, with actuator.



**Art. 8P0119**

VALVOLA CON ATTUATORE DOPPIO EFFETTO  
VALVE WITH DOUBLE ACTING ACTUATOR

DN	15	20	25	32	40	50	65	80	100	125	150	200
PN	40	40	40	40	40	40	16	16	16	16	16	16
A	148	174	195	198	237	261	282	318	344	366	441	507
B	195	227	253	268	312	343	375	418	454	491	583	677
C	95	105	115	140	150	165	185	200	220	250	285	340
D	45	71	71	71	81	95	106	106	123	123	148	164
E	115	120	125	130	140	150	170	180	190	325	350	400
F	110	140	140	140	162	207	238	238	272	272	366	428
ACT.	DA 32	DA 52	DA 52	DA 52	DA 63	DA 75	DA 85	DA 85	DA 100	DA 100	DA 125	DA 140
RI	3518	3519	3520	3520	3521	3522	3522	3523	3552	3552	3553	3554





**Art. 8P0120**

VALVOLA CON ATTUATORE SEMPLICE EFFETTO  
VALVE WITH SPRING RETURN ACTUATOR

DN	15	20	25	32	40	50	65	80	100	125	150	200
PN	40	40	40	40	40	40	16	16	16	16	16	16
A	172	185	206	209	265	285	325	373	386	408	475	519
B	220	238	264	279	340	368	418	473	496	533	618	689
C	95	105	115	140	150	165	185	200	220	250	285	340
D	71	81	81	81	106	123	137	148	148	148	187	187
E	115	120	125	130	140	150	170	180	190	325	350	400
F	140	162	162	162	238	272	328	366	366	366	522	522
ACT.	SR 52	SR 63	SR 63	SR 63	SR 85	SR 100	SR 115	SR 125	SR 125	SR 125	SR 160	SR 160
RI	3519	3829	3525	3525	3526	3522	3527	3528	3528	3528	3554	3554

## Art. 8P0246 - 8P0248

 Valvola a sfera "SPLIT BODY" [Valpres Art. 760041], flangiata PN40, in acciaio al carbonio WCB -1.0619, passaggio totale, scartamento secondo norma DIN 3202 F4/F5, Fire Safe, Antistatic Device, con attuatore.

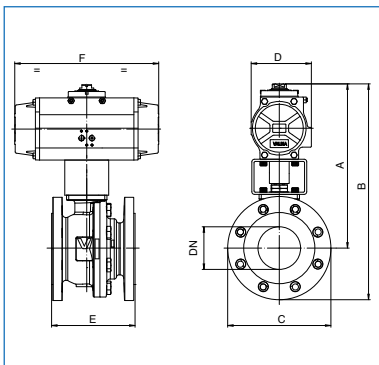
 Flanged PN 40 carbon steel WCB -1.0619 ball valve [Valpres Art. 760041], full bore, DIN 3202 F4/F5 face to face dimension, Fire Safe, Antistatic Device, with actuator.



**Art. 8P0246**

VALVOLA CON ATTUATORE DOPPIO EFFETTO  
VALVE WITH DOUBLE ACTING ACTUATOR

DN	15	20	25	32	40	50	65	80	100	150	200
PN	40	40	40	40	40	40	40	40	40	40	40
A	Art. 8P0119	Art. 8P0119	Art. 8P0119	Art. 8P0119	Art. 8P0119	Art. 8P0119	295	330	374	475	571
B							388	430	492	625	759
C							185	200	235	300	375
D							123	123	137	187	218
E							170	180	190	350	400
F							272	272	328	522	575
ACT.							DA 100	DA 100	DA 115	DA 160	DA 200
RI	3522	3552	3528	3554	3555						





**Art. 8P0248**

VALVOLA CON ATTUATORE SEMPLICE EFFETTO  
VALVE WITH SPRING RETURN ACTUATOR

DN	15	20	25	32	40	50	65	80	100	150	200
PN	40	40	40	40	40	40	40	40	40	40	40
A	Art. 8P0120	Art. 8P0120	Art. 8P0120	Art. 8P0120	Art. 8P0120	Art. 8P0120	337	372	420	658	703
B							430	472	538	808	891
C							185	200	235	300	375
D							148	148	187	290	290
E							170	180	190	350	400
F							366	366	522	672	672
ACT.							SR 125	SR 125	SR 160	SR 270	SR 270
RI	3527	3528	3997	3753	3753						

## Art. 8P0121 - 8P0122

 Valvola a sfera "SPLIT BODY" [Valpres Art. 760005], flangiata ANSI 150, in acciaio inox CF8M, passaggio totale, Fire Safe, Antistatic Device, con attuatore.

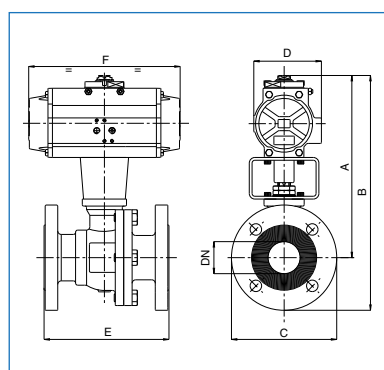
 "SPLIT BODY" full bore [Valpres Art. 760005], flanged ball valve, ANSI 150, stainless steel CF8M, Fire Safe, Antistatic Device, with actuator.



Art. 8P0121

VALVOLA CON ATTUATORE DOPPIO EFFETTO  
VALVE WITH DOUBLE ACTING ACTUATOR

DN	15	20	25	40	50	80	100	125	150	200
PN	20	20	20	20	20	20	20	20	20	20
A	148	174	195	237	261	318	344	366	441	507
B	193	224	250	302	336	413	459	494	583	677
C	90	100	110	130	150	190	230	255	285	340
D	45	71	71	81	95	106	123	123	148	164
E	108	117	127	165	178	203	229	356	394	457
F	110	140	140	162	207	238	272	272	366	428
ACT.	DA 32	DA 52	DA 52	DA 63	DA 75	DA 85	DA 100	DA 100	DA 125	DA 140
RI	3518	3519	3520	3521	3522	3523	3552	3552	3553	3554




Art. 8P0122

VALVOLA CON ATTUATORE SEMPLICE EFFETTO  
VALVE WITH SPRING RETURN ACTUATOR

DN	15	20	25	40	50	80	100	125	150	200
PN	20	20	20	20	20	20	20	20	20	20
A	172	185	206	265	285	373	386	408	475	519
B	217	235	261	330	360	468	501	536	618	689
C	90	100	110	130	150	190	230	255	285	340
D	71	81	81	106	123	148	148	148	187	187
E	108	117	127	165	178	203	229	356	394	457
F	140	162	162	238	272	366	366	366	522	522
ACT.	SR 52	SR 63	SR 63	SR 85	SR 100	SR 125	SR 125	SR 125	SR 160	SR 160
RI	3519	3829	3525	3526	3522	3528	3528	3528	3554	3554

## Art. 8P0123 - 8P0124

 Valvola a sfera "SPLIT BODY" [Valpres Art. 762000], flangiata ANSI 150, in acciaio al carbonio A216-WCB, passaggio totale, Fire Safe, Antistatic Device, con attuatore.

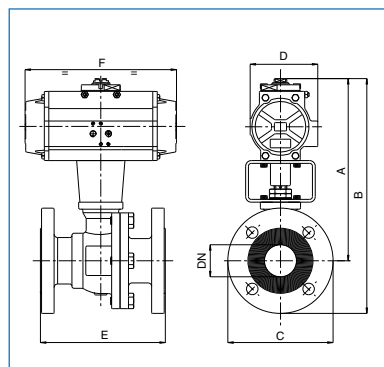
 "SPLIT BODY" full bore [Valpres Art. 762000] flanged ball valve, ANSI 150, carbon steel A216-WCB, Fire Safe, Antistatic Device, with actuator.



Art. 8P0123

VALVOLA CON ATTUATORE DOPPIO EFFETTO  
VALVE WITH DOUBLE ACTING ACTUATOR

DN	15	20	25	40	50	80	100	150	200
PN	20	20	20	20	20	20	20	20	20
A	148	174	195	237	261	318	344	441	507
B	193	224	250	302	336	413	459	583	677
C	90	100	110	130	150	190	230	285	340
D	45	71	71	81	95	106	123	148	164
E	108	117	127	165	178	203	229	394	457
F	110	140	140	162	207	238	272	366	428
ACT.	DA 32	DA 52	DA 52	DA 63	DA 75	DA 85	DA 100	DA 125	DA 140
RI	3518	3519	3520	3521	3522	3523	3552	3553	3554




Art. 8P0124

VALVOLA CON ATTUATORE SEMPLICE EFFETTO  
VALVE WITH SPRING RETURN ACTUATOR

DN	15	20	25	40	50	80	100	150	200
PN	20	20	20	20	20	20	20	20	20
A	172	185	206	265	285	373	386	475	519
B	217	235	261	330	360	468	501	618	689
C	90	100	110	130	150	190	230	285	340
D	71	81	81	106	123	148	148	187	187
E	108	117	127	165	178	203	229	394	457
F	140	162	162	238	272	366	366	522	522
ACT.	SR 52	SR 63	SR 63	SR 85	SR 100	SR 125	SR 125	SR 160	SR 160
RI	3519	3829	3525	3526	3522	3528	3528	3554	3554

## Art. 8P0213 - 8P0214

 Valvola a sfera flangiata ANSI300, in acciaio inox AISI 316-CF8M [Valpres Art. 761030], a passaggio totale, scartamento secondo ANSI B16.10, Fire Safe Antistatic Device con attuatore.

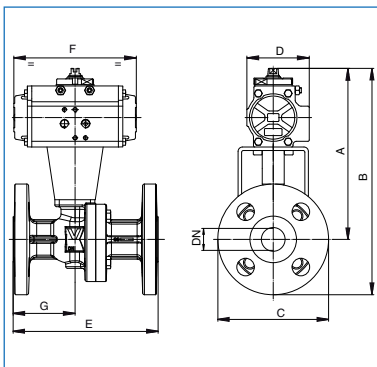
 Stainless steel AISI 316-CF8M ANSI300 Flanged ball valve [Valpres Art. 761030], full port, ANSI B16.10, Fire safe Antistatic Device, with actuator.



### Art. 8P0213

VALVOLA CON ATTUATORE DOPPIO EFFETTO  
VALVE WITH DOUBLE ACTING ACTUATOR

DN	PN	15	20	25	40	50	80	100	150
		50	50	50	50	50	50	50	50
A		173	188	206	253	272	330	374	475
B		220	247	268	331	355	435	501	635
C		95	118	125	155	165	210	255	320
D		71	81	81	95	106	123	137	187
E		140	152	165	190	216	283	305	403
F		140	162	162	207	238	272	328	522
G		62	61	71	79	86	81	89	172
ACT.		DA 52	DA 63	DA 63	DA 75	DA 85	DA 100	DA 115	DA 160
RI		3519	3829	3563	3526	3522	3552	3565	3554





### Art. 8P0214

VALVOLA CON ATTUATORE SEMPLICE EFFETTO  
VALVE WITH SPRING RETURN ACTUATOR

DN	PN	15	20	25	40	50	80	100	150
		50	50	50	50	50	50	50	50
A		184	216	234	278	315	372	420	658
B		231	275	296	355	398	477	548	818
C		95	118	125	155	165	210	255	320
D		81	106	106	123	137	148	187	290
E		140	152	165	190	216	283	305	403
F		162	238	238	272	328	366	522	672
G		62	61	71	79	86	81	89	172
ACT.		SR 63	SR 85	SR 85	SR 100	SR 115	SR 125	SR 160	SR 270
RI		3829	3571	3573	4117	3527	3528	3997	3753

## Art. 8P0215 - 8P0216

 Valvola a sfera flangiata ANSI300, in acciaio al carbonio WCB [Valpres Art. 761031], a passaggio totale, scartamento secondo ANSI B16.10, Fire Safe Antistatic Device con attuatore.

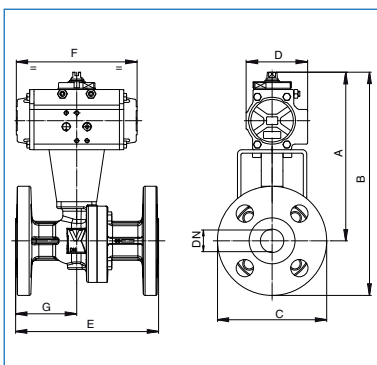
 Actuated flanged ANSI 300 WCB carbon steel ball valve [Valpres Art. 761031], ANSI B16.10 and Fire Safe Antistatic Device.



### Art. 8P0215

VALVOLA CON ATTUATORE DOPPIO EFFETTO  
VALVE WITH DOUBLE ACTING ACTUATOR

DN	PN	15	20	25	40	50	80	100	150
		50	50	50	50	50	50	50	50
A		173	188	206	253	272	330	374	475
B		220	247	268	331	355	435	501	635
C		95	118	125	155	165	210	255	320
D		71	81	81	95	106	123	137	187
E		140	152	165	190	216	283	305	403
F		140	162	162	207	238	272	328	522
G		62	61	71	79	86	81	89	172
ACT.		DA 52	DA 63	DA 63	DA 75	DA 85	DA 100	DA 115	DA 160
RI		3519	3829	3563	3526	3522	3552	3565	3554





### Art. 8P0216

VALVOLA CON ATTUATORE SEMPLICE EFFETTO  
VALVE WITH SPRING RETURN ACTUATOR

DN	PN	15	20	25	40	50	80	100	150
		50	50	50	50	50	50	50	50
A		184	216	234	278	315	372	420	658
B		231	275	296	355	398	477	548	818
C		95	118	125	155	165	210	255	320
D		81	106	106	123	137	148	187	290
E		140	152	165	190	216	283	305	403
F		162	238	238	272	328	366	522	672
G		62	61	71	79	86	81	89	172
ACT.		SR 63	SR 85	SR 85	SR 100	SR 115	SR 125	SR 160	SR 270
RI		3829	3571	3573	4117	3527	3528	3997	3753

## Art. 8P0043 - 8P0044

 Valvola a sfera 2 vie [Valpres Art. 730007 da DN 40 a DN 65 - Art. 730003 da DN 80 a DN 200], flangiata, in ghisa G250 con sfera e asta inox AISI 304 (scartamento secondo DIN 3202-F4, DN200 DIN 3202-F5), con attuatore.

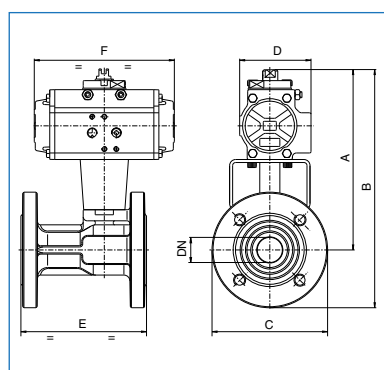
 2 way flanged ball valve [Valpres Art. 730007 da DN 40 a DN 65 - Art. 730003 da DN 80 a DN 200], cast iron G250 with ball and stem stainless steel AISI 304 (face to face according to DIN 3202-F4, DN200 DIN 3202-F5), with actuator.



Art. 8P0043

VALVOLA CON ATTUATORE DOPPIO EFFETTO  
VALVE WITH DOUBLE ACTING ACTUATOR

DN	40	50	65	80	100	125	150	200
PN	16	16	16	16	16	16	16	16
A	215	238	264	275	326	379	414	478
B	290	321	356	375	436	504	556	648
C	150	165	185	200	220	250	285	340
D	81	95	106	106	123	137	148	164
E	140	150	170	180	190	200	210	400
F	162	207	238	238	272	328	366	428
ACT.	DA 63	DA 75	DA 85	DA 85	DA 100	DA 115	DA 125	DA 140
RI	3002	3009	3003	3003	3004	3005	3006	3039




Art. 8P0044

VALVOLA CON ATTUATORE SEMPLICE EFFETTO  
VALVE WITH SPRING RETURN ACTUATOR

DN	40	50	65	80	100	125	150	200
PN	16	16	16	16	16	16	16	16
A	243	263	327	350	368	413	448	490
B	318	345	419	450	478	538	591	660
C	150	165	185	200	220	250	285	340
D	106	123	137	148	148	164	187	187
E	140	150	170	180	190	200	210	400
F	238	272	328	366	366	428	522	522
ACT.	SR 85	SR 100	SR 115	SR 125	SR 125	SR 140	SR 160	SR 160
RI	3009	3009	3010	3010	3005	3037	3039	3039

## Art. 8P0045 - 8P0046

 Valvola a sfera 2 vie flangiata [Valpres Art. 730008 da DN 25 a DN 65 - Art. 730000 da DN 80 a DN 200], in ghisa G250 con sfera in ottone cromata (scartamento secondo DIN 3202-F4, DN200 DIN 3202-F5), con attuatore.

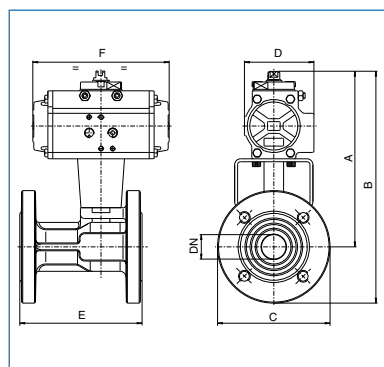
 2 way flanged ball valve [Valpres Art. 730008 da DN 25 a DN 65 - Art. 730000 da DN 80 a DN 200], cast iron G250 with chrome plated ball (face to face according to DIN 3202-F4, DN200 DIN 3202-F5), with actuator.



Art. 8P0045

VALVOLA CON ATTUATORE DOPPIO EFFETTO  
VALVE WITH DOUBLE ACTING ACTUATOR

DN	25	32	40	50	65	80	100	125	150	200
PN	16	16	16	16	16	16	16	16	16	16
A	179	186	215	238	264	275	326	379	414	478
B	237	256	290	321	356	375	436	504	556	648
C	115	140	150	165	185	200	220	250	285	340
D	71	71	81	95	106	106	123	137	148	164
E	125	130	140	150	170	180	190	200	210	400
F	140	140	162	207	238	238	272	328	366	428
ACT.	DA 52	DA 52	DA 63	DA 75	DA 85	DA 85	DA 100	DA 115	DA 125	DA 140
RI	3001	3001	3002	3009	3003	3003	3004	3005	3006	3039




Art. 8P0046


VALVOLA CON ATTUATORE SEMPLICE EFFETTO  
VALVE WITH SPRING RETURN ACTUATOR

DN	25	32	40	50	65	80	100	125	150	200
PN	16	16	16	16	16	16	16	16	16	16
A	191	197	243	263	327	350	368	413	448	490
B	248	267	318	345	419	450	478	538	591	660
C	115	140	150	165	185	200	220	250	285	340
D	81	81	106	123	137	148	148	164	187	187
E	125	130	140	150	170	180	190	200	210	400
F	162	162	238	272	328	366	366	428	522	522
ACT.	SR 63	SR 63	SR 85	SR 100	SR 115	SR 125	SR 125	SR 140	SR 160	SR 160
RI	3007	3007	3009	3009	3010	3010	3005	3037	3039	3039



## Art. 8P0047 - 8P0048

 Valvola a sfera 2 vie flangiata [Valpres Art. 750000], in ghisa G250 con sfera in ottone cromato, passaggio VENTURI, (scartamento secondo DIN 3202-F4), con attuatore.

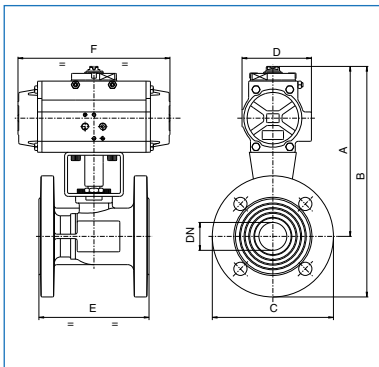
 2 way flanged ball valve [Valpres Art. 750000], cast iron G250 with chrome plated ball, VENTURI metric bore (face to face according to DIN 3202-F4), with actuator.



Art. 8P0047

DN	50		65		80		100		125	
	PN	16	16	16	16	16	16	16	16	16
A		232	252	265	287	326				
B		314	345	365	397	451				
C		165	185	200	220	250				
D		95	106	106	123	123				
E		150	170	180	190	200				
F		207	238	238	272	272				
ACT.		DA 75	DA 85	DA 85	DA 100	DA 100				
RI		3009	3009	3003	3003	3004				

VALVOLA CON ATTUATORE DOPPIO EFFETTO  
VALVE WITH DOUBLE ACTING ACTUATOR





Art. 8P0048

DN	50		65		80		100		125	
	PN	16	16	16	16	16	16	16	16	16
A		243	265	340	349	368				
B		326	358	440	459	493				
C		165	185	200	220	250				
D		106	123	148	148	148				
E		150	170	180	190	200				
F		238	272	366	366	366				
ACT.		SR 85	SR 100	SR 125	SR 125	SR 125				
RI		3009	3009	3010	3010	3005				

VALVOLA CON ATTUATORE SEMPLICE EFFETTO  
VALVE WITH SPRING RETURN ACTUATOR

## Art. 8P0049 - 8P0050

 Valvola a sfera 2 vie flangiata [Valpres Art. 751000], in ghisa GGG40 con sfera in ottone cromata, passaggio VENTURI, (scartamento secondo DIN 3202-F4), con attuatore.

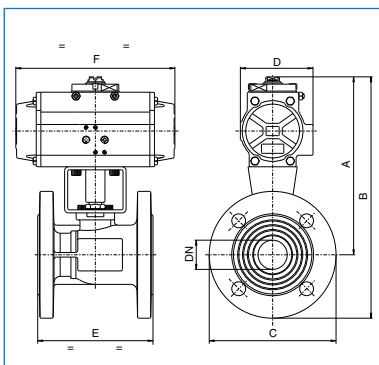
 2 way flanged ball valve [Valpres Art. 751000], cast iron GGG40 with chrome plated ball, VENTURI metric bore (face to face according to DIN 3202-F4), with actuator.



Art. 8P0049

DN	50		65		80		100		125	
	PN	16	16	16	16	16	16	16	16	16
A		232	252	265	287	326				
B		314	345	365	397	451				
C		165	185	200	220	250				
D		95	106	106	123	123				
E		150	170	180	190	200				
F		207	238	238	272	272				
ACT.		DA 75	DA 85	DA 85	DA 100	DA 100				
RI		3009	3009	3003	3003	3004				

VALVOLA CON ATTUATORE DOPPIO EFFETTO  
VALVE WITH DOUBLE ACTING ACTUATOR




Art. 8P0050

DN	50		65		80		100		125	
	PN	16	16	16	16	16	16	16	16	16
A		243	265	340	349	368				
B		326	358	440	459	493				
C		165	185	200	220	250				
D		106	123	148	148	148				
E		150	170	180	190	200				
F		238	272	366	366	366				
ACT.		SR 85	SR 100	SR 125	SR 125	SR 125				
RI		3009	3009	3010	3010	3005				

VALVOLA CON ATTUATORE SEMPLICE EFFETTO  
VALVE WITH SPRING RETURN ACTUATOR

## Art. 8P0051- 8P0053

 Valvola a sfera 2 vie flangiata, ricavata da **massello**, lucida, acciaio inox AISI 316, passaggio **TOTALE**, con attuatore.

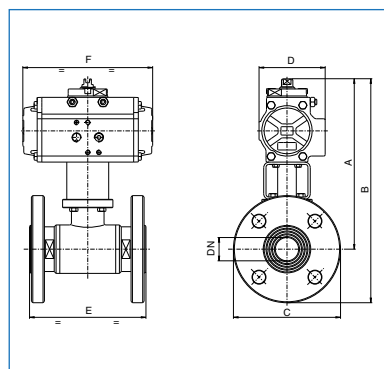
 2 way flanged ball valve from **ingot**, polished, stainless steel AISI 316, **FULL** bore, with actuator.



Art. 8P0051

VALVOLA CON ATTUATORE DOPPIO EFFETTO  
VALVE WITH DOUBLE ACTING ACTUATOR

DN	10	15	20	25	32	40	50	65	80	100
PN	40	40	40	40	40	25	25	16	16	16
A	165	167	170	190	206	210	216	251	259	269
B	209	215	222	247	276	285	298	344	359	379
C	90	95	105	115	140	150	165	185	200	220
D	71	71	71	71	81	81	81	106	106	106
E	110	115	120	125	130	140	150	170	180	190
F	140	140	140	140	162	162	162	238	238	238
ACT.	DA 52	DA 52	DA 52	DA 52	DA 63	DA 63	DA 63	DA 85	DA 85	DA 85




Art. 8P0053

VALVOLA CON ATTUATORE SEMPLICE EFFETTO  
VALVE WITH SPRING RETURN ACTUATOR

DN	10	15	20	25	32	40	50	65	80	100
PN	40	40	40	40	40	25	25	16	16	16
A	165	178	181	229	234	239	244	264	314	324
B	209	226	233	286	304	314	326	357	414	434
C	90	95	105	115	140	150	165	185	200	220
D	71	81	81	106	106	106	106	123	148	148
E	110	115	120	125	130	140	150	170	180	190
F	140	162	162	238	238	238	238	272	366	366
ACT.	SR 52	SR 63	SR 63	SR 85	SR 85	SR 85	SR 85	SR 100	SR 125	SR 125

## Art. 8P0052 - 8P0054

 Valvola a sfera 2 vie flangiata, ricavata da **massello**, lucida, acciaio inox AISI 304, passaggio **TOTALE**, con attuatore.

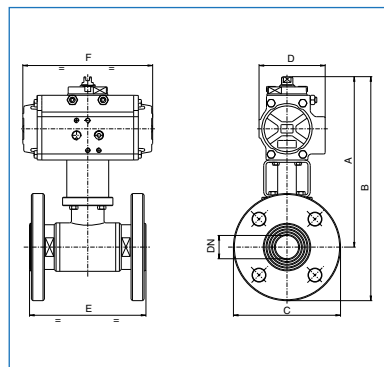
 2 way flanged ball valve from **ingot**, polished, stainless steel AISI 304, **FULL** bore, with actuator.



Art. 8P0052

VALVOLA CON ATTUATORE DOPPIO EFFETTO  
VALVE WITH DOUBLE ACTING ACTUATOR

DN	10	15	20	25	32	40	50	65	80	100
PN	40	40	40	40	40	25	25	16	16	16
A	165	167	170	190	206	210	216	251	259	269
B	209	215	222	247	276	285	298	344	359	379
C	90	95	105	115	140	150	165	185	200	220
D	71	71	71	71	81	81	81	106	106	106
E	110	115	120	125	130	140	150	170	180	190
F	140	140	140	140	162	162	162	238	238	238
ACT.	DA 52	DA 52	DA 52	DA 52	DA 63	DA 63	DA 63	DA 85	DA 85	DA 85




Art. 8P0054

VALVOLA CON ATTUATORE SEMPLICE EFFETTO  
VALVE WITH SPRING RETURN ACTUATOR

DN	10	15	20	25	32	40	50	65	80	100
PN	40	40	40	40	40	25	25	16	16	16
A	165	178	181	229	234	239	244	264	314	324
B	209	226	233	286	304	314	326	357	414	434
C	90	95	105	115	140	150	165	185	200	220
D	71	81	81	106	106	106	106	123	148	148
E	110	115	120	125	130	140	150	170	180	190
F	140	162	162	238	238	238	238	272	366	366
ACT.	SR 52	SR 63	SR 63	SR 85	SR 85	SR 85	SR 85	SR 100	SR 125	SR 125

## Art. 8P0223 - 8P0224

 Valvola a sfera 2 vie, ricavata da **massello**, con guarnizioni in P.T.F.E vergine, acciaio inox AISI 316, attacchi DIN 11851 F/F, lucida con attuatore.

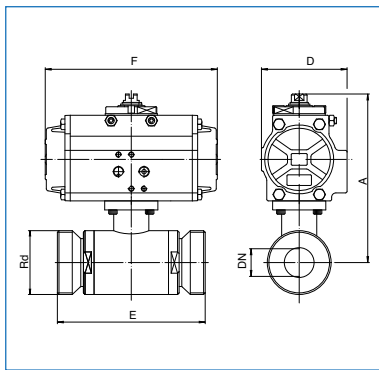
 2 ways ball valve, from **ingot**, P.T.F.E seals, AISI 316, DIN flanges 11851 F/F, polished, with actuator.



Art. 8P0223

VALVOLA CON ATTUATORE DOPPIO EFFETTO  
VALVE WITH DOUBLE ACTING ACTUATOR

DN	10	15	20	25	32	40	40	50	65	80	100
PN	64	64	64	40	40	40	25	25	25	25	25
A	129	131	135	152	157	177	185	223	235	249	
D	71	71	71	81	81	81	81	106	106	106	
E	88	92	102	106	112	126	136	154	184	190	
F	140	140	140	162	162	162	162	238	238	238	
Rd	28x1/8"	34x1/8"	44x1/6"	52x1/6"	58x1/6"	65x1/6"	78x1/6"	95x1/6"	110x1/4"	130x1/4"	
ACT.	DA 52	DA 52	DA 52	DA 63	DA 63	DA 63	DA 63	DA 85	DA 85	DA 85	




Art. 8P0224

VALVOLA CON ATTUATORE SEMPLICE EFFETTO  
VALVE WITH SPRING RETURN ACTUATOR

DN	10	15	20	25	32	40	40	50	65	80	100
PN	64	64	64	40	40	40	25	25	25	25	25
A	129	131	135	180	185	205	213	236	290	304	
D	71	71	71	106	106	106	106	123	148	148	
E	88	92	102	106	112	126	136	154	184	190	
F	140	140	140	238	238	238	238	272	366	366	
Rd	28x1/8"	34x1/8"	44x1/6"	52x1/6"	58x1/6"	65x1/6"	78x1/6"	95x1/6"	110x1/4"	130x1/4"	
ACT.	SR 52	SR 52	SR 52	SR 85	SR 85	SR 85	SR 85	SR 100	SR 125	SR 125	

## Art. 8P0225 - 8P0226

 Valvola a sfera 2 vie, ricavata da **massello**, con guarnizioni in P.T.F.E vergine, acciaio inox AISI 304, attacchi DIN 11851 F/F, lucida con attuatore.

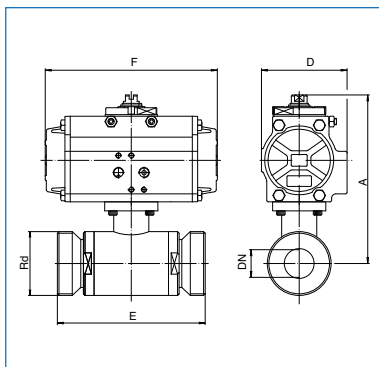
 2 ways ball valve, from **ingot**, P.T.F.E seals, AISI 304, DIN flanges 11851 F/F, polished, with actuator.



Art. 8P0225

VALVOLA CON ATTUATORE DOPPIO EFFETTO  
VALVE WITH DOUBLE ACTING ACTUATOR

DN	10	15	20	25	32	40	40	50	65	80	100
PN	64	64	64	40	40	40	25	25	25	25	25
A	129	131	135	152	157	177	185	223	235	249	
D	71	71	71	81	81	81	81	106	106	106	
E	88	92	102	106	112	126	136	154	184	190	
F	140	140	140	162	162	162	162	238	238	238	
Rd	28x1/8"	34x1/8"	44x1/6"	52x1/6"	58x1/6"	65x1/6"	78x1/6"	95x1/6"	110x1/4"	130x1/4"	
ACT.	DA 52	DA 52	DA 52	DA 63	DA 63	DA 63	DA 63	DA 85	DA 85	DA 85	




Art. 8P0226


VALVOLA CON ATTUATORE SEMPLICE EFFETTO  
VALVE WITH SPRING RETURN ACTUATOR

DN	10	15	20	25	32	40	40	50	65	80	100
PN	64	64	64	40	40	40	25	25	25	25	25
A	129	131	135	180	185	205	213	236	290	304	
D	71	71	71	106	106	106	106	123	148	148	
E	88	92	102	106	112	126	136	154	184	190	
F	140	140	140	238	238	238	238	272	366	366	
Rd	28x1/8"	34x1/8"	44x1/6"	52x1/6"	58x1/6"	65x1/6"	78x1/6"	95x1/6"	110x1/4"	130x1/4"	
ACT.	SR 52	SR 52	SR 52	SR 85	SR 85	SR 85	SR 85	SR 100	SR 125	SR 125	

## Art. 8P0253 - 8P0254

**NEW**

 Valvola a sfera ricavata da **massello**, 2 vie, lucida, acciaio inox AISI 316, attacchi CLAMP ISO 2852-DIN 32676, guarnizioni in PTFE vergine, passaggio **TOTALE** e **RIDOTTO** con attuatore.

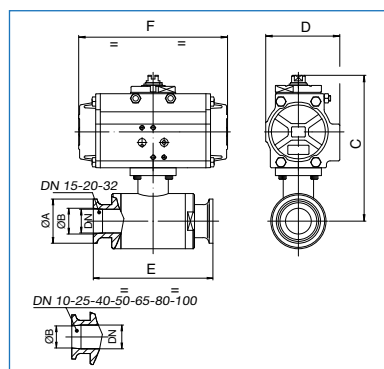
 2 ways ball valve, from ingot, AISI 316, CLAMP connections ISO 2852-DIN 32676, PTFE seals, polished, full bore or reduced bore with actuator.



Art. 8P0253

VALVOLA CON ATTUATORE DOPPIO EFFETTO  
VALVE WITH DOUBLE ACTING ACTUATOR

DN	10	15	20	25	32	40	40	50	65	80	100
PN	64	64	64	40	40	40	25	25	25	25	25
CLAMP	1/2"	3/4"	1"	1" 1/4	1" 1/2	1" 1/2	2"	2" 1/2	3"	4"	
ØA	25	25	51	51	51	51	64	78	91	119	
ØB	9,7	16	22,2	22,2	34,8	34,8	47,5	60,2	72,6	97,6	
C	129	131	135	152	157	177	185	223	235	249	
D	71	71	71	81	81	81	81	106	106	106	
E	88	92	102	106	112	126	136	154	184	190	
F	140	140	140	162	162	162	162	238	238	238	
ACT.	DA 52	DA 52	DA 52	DA 63	DA 63	DA 63	DA 63	DA 85	DA 85	DA 85	




Art. 8P0254

VALVOLA CON ATTUATORE SEMPLICE EFFETTO  
VALVE WITH SPRING RETURN ACTUATOR

DN	10	15	20	25	32	40	40	50	65	80	100
PN	64	64	64	40	40	40	25	25	25	25	25
CLAMP	1/2"	3/4"	1"	1" 1/4	1" 1/2	1" 1/2	2"	2" 1/2	3"	4"	
ØA	25	25	51	51	51	51	64	78	91	119	
ØB	9,7	16	22,2	22,2	34,8	34,8	47,5	60,2	72,6	97,6	
C	129	131	135	180	185	205	213	236	290	304	
D	71	71	71	106	106	106	106	123	148	148	
E	88	92	102	106	112	126	136	154	184	190	
F	140	140	140	238	238	238	238	272	366	366	
ACT.	SR 52	SR 52	SR 52	SR 85	SR 85	SR 85	SR 85	SR 100	SR 125	SR 125	

## Art. 8P0079 - 8P0081

 Valvola a sfera 2 vie in ottone cromato [RB Art. 2500], filettata F/F, con attuatore. **Non idonea per solventi.**

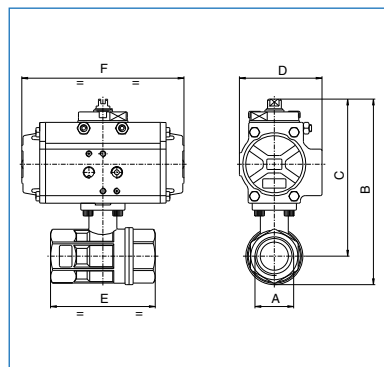
 2 way brass with chrome plated ball, [RB Art. 2500], threaded F/F, with actuator. **Not suitable for use with solvents.**



Art. 8P0079

VALVOLA CON ATTUATORE DOPPIO EFFETTO  
VALVE WITH DOUBLE ACTING ACTUATOR

PN	40	40	40	40	40	40	40	40	25	16	16
DN	1/4"	3/8"	1/2"	3/4"	1"	1" 1/4	1" 1/2	2"	2" 1/2	3"	4"
A	115	115	115	120	135	144	190	209	244	266	331
B	98	98	98	100	111	114	154	163	188	199	248
C	45	45	45	45	45	45	71	71	81	81	106
D	67	67	67	76	90	102	114	138	165	188	225
E	110	110	110	110	110	110	140	140	162	162	238
ACT.	DA 32	DA 32	DA 32	DA 32	DA 32	DA 32	DA 52	DA 52	DA 63	DA 63	DA 85
RI	4015	4015	4015	4015	4015	4015	4016	4016	4021	4021	4021





Art. 8P0081

VALVOLA CON ATTUATORE SEMPLICE EFFETTO  
VALVE WITH SPRING RETURN ACTUATOR

PN	40	40	40	40	40	40	40	40	25	16	16
DN	1/4"	3/8"	1/2"	3/4"	1"	1" 1/4	1" 1/2	2"	2" 1/2	3"	4"
A	140	140	140	142	160	168	201	220	272	294	344
B	123	123	123	125	135	139	165	174	216	227	261
C	71	71	71	71	71	71	81	81	106	106	123
D	67	67	67	76	90	102	114	138	165	188	225
E	140	140	140	140	140	140	162	162	238	238	272
ACT.	SR 52	SR 52	SR 52	SR 52	SR 52	SR 52	SR 63	SR 63	SR 85	SR 85	SR 100
RI	4017	4017	4017	4017	4017	4017	4018	4018	4020	4020	4029

## Art. 8P0159 - 8P0160

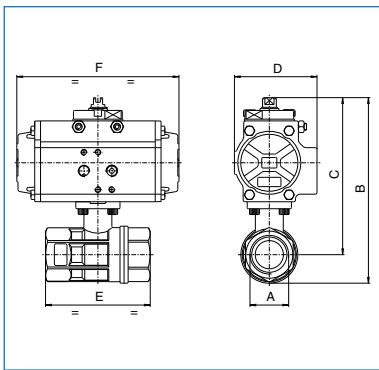
-  Valvola a sfera 2 vie in ottone cromato [RB Art. 2530], filettata F/F, asta e sfera in AISI 304 certificata ATEX Ex II 2 G/D c T4, con attuatore. **Idonea per impieghi con solventi.**
-  2 way brass with chrome plated ball [RB Art. 2530], threaded F/F, stainless steel AISI 304 stem and ball certified ATEX Ex II 2 G/D c T4, with actuator. **Suitable for use with solvents.**



**Art. 8P0159**

VALVOLA CON ATTUATORE DOPPIO EFFETTO  
VALVE WITH DOUBLE ACTING ACTUATOR

PN	40	40	40	40	40	40	40	40
DN								
A	1/4"	3/8"	1/2"	3/4"	1"	1" 1/4	1" 1/2	2"
B	115	115	115	120	135	144	190	209
C	98	98	98	100	111	114	154	163
D	45	45	45	45	45	45	71	71
E	67	67	67	76	90	102	114	138
F	110	110	110	110	110	110	140	140
ACT.	DA 32	DA 32	DA 32	DA 32	DA 32	DA 32	DA 52	DA 52
RI	4015	4015	4015	4015	4015	4015	4016	4016





**Art. 8P0160**

VALVOLA CON ATTUATORE SEMPLICE EFFETTO  
VALVE WITH SPRING RETURN ACTUATOR

PN	40	40	40	40	40	40	40	40
DN								
A	1/4"	3/8"	1/2"	3/4"	1"	1" 1/4	1" 1/2	2"
B	140	140	140	142	160	168	201	220
C	123	123	123	125	135	139	165	174
D	71	71	71	71	71	71	81	81
E	67	67	67	76	90	102	114	138
F	140	140	140	140	140	140	162	162
ACT.	SR 52	SR 52	SR 52	SR 52	SR 52	SR 52	SR 63	SR 63
RI	4017	4017	4017	4017	4017	4017	4018	4018

## Art. 8P0161 - 8P0162

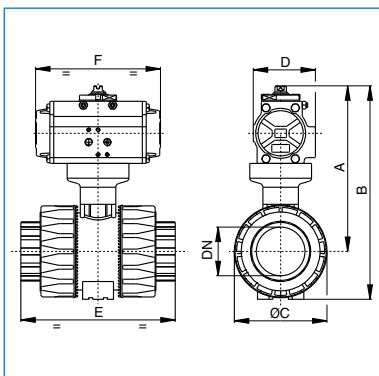
-  Valvola a sfera 2 vie PVC con attacchi femmina per incollaggio, con attuatore.
-  2 way PVC ball valve with female connections for glueing, with actuator.



**Art. 8P0161**

VALVOLA CON ATTUATORE DOPPIO EFFETTO  
VALVE WITH DOUBLE ACTING ACTUATOR

DN	10	15	20	25	32	40	50	65	80	100
PN	16	16	16	16	16	16	16	16	16	16
A	148	148	163	164	198	205	215	220	249	279
B	176	176	198	203	244	257	277	307	354	408
ØC	54	54	65	73	86	98	122	164	203	238
D	71	71	71	71	81	81	81	81	95	106
E	103	103	115	128	146	164	199	235	270	308
F	140	140	140	140	162	162	162	162	207	238
ACT.	DA 52	DA 52	DA 52	DA 52	DA 63	DA 63	DA 63	DA 63	DA 75	DA 85





**Art. 8P0162**

VALVOLA CON ATTUATORE SEMPLICE EFFETTO  
VALVE WITH SPRING RETURN ACTUATOR

DN	10	15	20	25	32	40	50	65	80	100
PN	16	16	16	16	16	16	16	16	16	16
A	148	148	163	164	198	221	231	248	274	322
B	176	176	198	203	244	273	293	335	379	451
ØC	54	54	65	73	86	98	122	164	203	238
D	71	71	71	71	81	95	95	106	123	137
E	103	103	115	128	146	164	199	235	270	308
F	140	140	140	140	162	207	207	238	272	328
ACT.	SR 52	SR 52	SR 52	SR 52	SR 63	SR 75	SR 75	SR 85	SR 100	SR 115

## Art. 8P0059 (T) - 8P0061 (T) - 8P0060 (L) - 8P0062 (L)

 Valvola a sfera 3 vie [Valpres Artt. 772000 (T) - 775000 (L)], microfusa, acciaio inox AISI 316, filettata F/F/F, passaggio **RIDOTTO**, sfera forata a "T" o "L", con attuatore.

 3 way ball valve [Valpres Artt. 772000 (T) - 775000 (L)], investment casted, in stainless steel AISI 316, threaded F/F/F **REDUCED** bore, "T" or "L" port, with actuator.

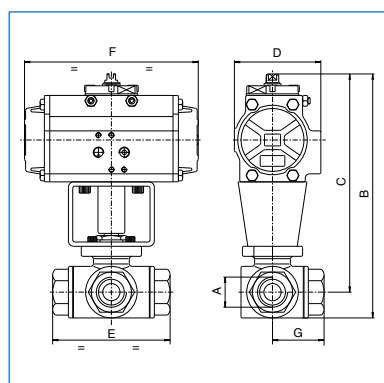


**Art. 8P0059** tre vie a "T"

**Art. 8P0060** tre vie a "L"

VALVOLA CON ATTUATORE DOPPIO EFFETTO  
VALVE WITH DOUBLE ACTING ACTUATOR

PN	64	64	64	64	64	64	64	64
DN								
A	1/4"	3/8"	1/2"	3/4"	1"	1"1/4	1"1/2	2"
B	190	190	190	225	230	246	281	300
C	172	172	172	202	204	212	243	252
D	71	71	71	81	81	81	106	106
E	79	79	79	86	108	124	134	164
F	140	140	140	162	162	162	238	238
G	39	39	39	43	54	62	67	81
ACT.	DA 52	DA 52	DA 52	DA 63	DA 63	DA 63	DA 85	DA 85
RI	3760	3760	3760	3770	3762	3763	3764	3765



**Art. 8P0061** tre vie a "T"

**Art. 8P0062** tre vie a "L"


VALVOLA CON ATTUATORE SEMPLICE EFFETTO  
VALVE WITH SPRING RETURN ACTUATOR

PN	64	64	64	64	64	64	64	64
DN								
A	1/4"	3/8"	1/2"	3/4"	1"	1"1/4	1"1/2	2"
B	201	201	201	237	258	274	324	343
C	183	183	183	219	232	240	286	295
D	81	81	81	95	106	106	137	137
E	79	79	79	86	108	124	134	164
F	162	162	162	207	238	238	328	328
G	39	39	39	43	54	62	67	81
ACT.	SR 63	SR 63	SR 63	SR 75	SR 85	SR 85	SR 115	SR 115
RI	3769	3769	3769	3773	3771	3772	4310	4311

IN FASE D'ORDINE DEFINIRE LA POSIZIONE DELLA SFERA - PLEASE SPECIFY THE FLOW PATH WHILE ORDERING.

## Art. 8P0221 - 8P0222

 Valvola a sfera a tre vie deviatore, ricavata da massello, 2 guarnizioni in PTFE vergine, lucida acciaio inox AISI 316, filettata F/F/F, sfera forata "L", con attuatore.

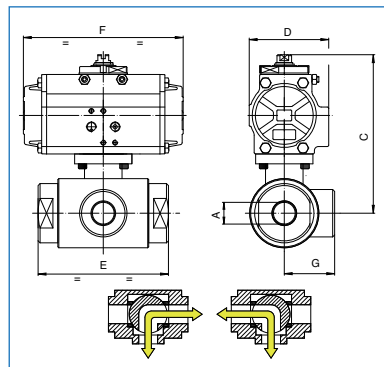
 Deviator 3 ways ball valve, from ingot, 2 PTFE seals, AISI 316, polished, F/F/F threaded, L port, with actuator.



**Art. 8P0221 (L)**

VALVOLA CON ATTUATORE DOPPIO EFFETTO  
VALVE WITH DOUBLE ACTING ACTUATOR

PN	40	40	40	40	40	25	25	25	25	16	16
DN											
A	1/4"	3/8"	1/2"	3/4"	1"	1"1/4	1"1/2	2"	2" 1/2	3"	4"
C	136	136	139	157	162	182	190	209	219	245	260
D	71	71	71	81	81	81	81	95	95	106	106
E	72	72	82	92	102	118	134	144	160	200	240
F	140	140	140	162	162	162	162	207	207	238	238
G	36	36	41	46	51	59	67	72	80	100	120
ACT.	DA 52	DA 52	DA 52	DA 63	DA 63	DA 63	DA 63	DA 75	DA 75	DA 85	DA 85





**Art. 8P0222 (L)**

VALVOLA CON ATTUATORE SEMPLICE EFFETTO  
VALVE WITH SPRING RETURN ACTUATOR

PN	40	40	40	40	40	25	25	25	25	16	16
DN											
A	1/4"	3/8"	1/2"	3/4"	1"	1"1/4	1"1/2	2"	2" 1/2	3"	4"
C	136	136	139	157	190	210	218	233	273	300	315
D	71	71	71	81	106	106	106	123	137	148	148
E	72	72	82	92	102	118	134	144	160	200	240
F	140	140	140	162	238	238	238	272	328	366	366
G	36	36	41	46	51	59	67	72	80	100	120
ACT.	SR 52	SR 52	SR 52	SR 863	SR 85	SR 85	SR 85	SR 100	SR 115	SR 125	SR 125

## Art. 8P0063 (T) - 8P0067 (T) - 8P0064 (L) - 8P0068 (L)

 Valvola a sfera ricavata da **massello**, 3 vie, lucida, acciaio inox AISI 316, filettata F/F/F, passaggio **TOTALE**, sfera forata a "T" o "L", con attuatore.

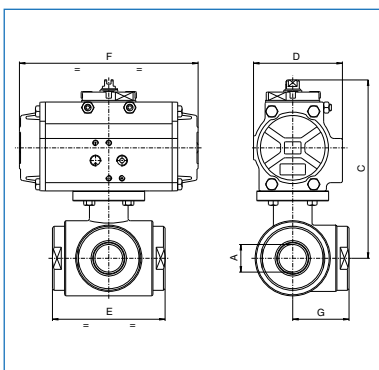
 3 way polished ball valve, from **ingot**, stainless steel AISI 316, threaded F/F/F, **FULL** bore, "T" or "L" port, with actuator.



Art. 8P0063 (T) - 8P0064 (L)

VALVOLA CON ATTUATORE DOPPIO EFFETTO  
VALVE WITH DOUBLE ACTING ACTUATOR

PN	40	40	40	40	40	40	40	25	25	16	16
DN											
A	1/4"	3/8"	1/2"	3/4"	1"	1"1/4	1"1/2	2"	2" 1/2	3"	4"
C	136	136	139	157	162	182	206	220	230	258	273
D	71	71	71	81	81	81	95	106	106	123	123
E	72	72	82	92	102	118	134	144	160	200	240
F	140	140	140	162	162	162	207	238	238	272	272
G	36	36	41	46	51	59	67	72	80	100	120
ACT.	DA 52	DA 52	DA 52	DA 63	DA 63	DA 63	DA 75	DA 85	DA 85	DA 100	DA 100




Art. 8P0067 (T) - 8P0068 (L)


VALVOLA CON ATTUATORE SEMPLICE EFFETTO  
VALVE WITH SPRING RETURN ACTUATOR

PN	40	40	40	40	40	40	40	25	25	16	16
DN											
A	1/4"	3/8"	1/2"	3/4"	1"	1"1/4	1"1/2	2"	2" 1/2	3"	4"
C	197	197	200	185	190	210	231	233	273	300	338
D	81	81	81	106	106	106	123	123	137	148	164
E	72	72	82	92	102	118	134	144	160	200	240
F	162	162	162	238	238	238	272	272	328	366	428
G	36	36	41	46	51	59	67	72	80	100	120
ACT.	SR 63	SR 63	SR 63	SR 85	SR 85	SR 85	SR 100	SR 100	SR 115	SR 125	SR 140

IN FASE D'ORDINE DEFINIRE LA POSIZIONE DELLA SFERA - PLEASE SPECIFY THE FLOW PATH WHILE ORDERING.

## Art. 8P0065 (T) - 8P0069 (T) - 8P0066 (L) - 8P0070 (L)

 Valvola a sfera ricavata da **massello**, 3 vie, lucida, acciaio inox AISI 304, filettata F/F/F, passaggio **TOTALE**, sfera forata a "T" o "L", con attuatore.

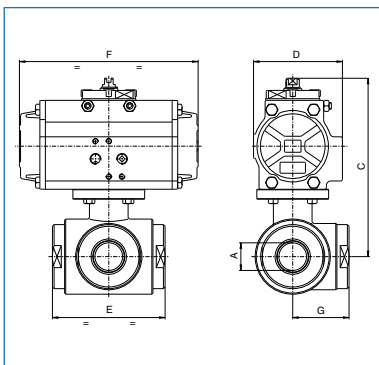
 3 way polished ball valve, from **ingot**, stainless steel AISI 304, threaded F/F/F, **FULL** bore, "T" or "L" port, with actuator.



Art. 8P0065 (T) - 8P0066 (L)

VALVOLA CON ATTUATORE DOPPIO EFFETTO  
VALVE WITH DOUBLE ACTING ACTUATOR

PN	40	40	40	40	40	40	40	25	25	16	16
DN											
A	1/4"	3/8"	1/2"	3/4"	1"	1"1/4	1"1/2	2"	2" 1/2	3"	4"
C	136	136	139	157	162	182	206	220	230	258	273
D	71	71	71	81	81	81	95	106	106	123	123
E	72	72	82	92	102	118	134	144	160	200	240
F	140	140	140	162	162	162	207	238	238	272	272
G	36	36	41	46	51	59	67	72	80	100	120
ACT.	DA 52	DA 52	DA 52	DA 63	DA 63	DA 63	DA 75	DA 85	DA 85	DA 100	DA 100



Art. 8P0069 (T) - 8P0070 (L)


VALVOLA CON ATTUATORE SEMPLICE EFFETTO  
VALVE WITH SPRING RETURN ACTUATOR


PN	40	40	40	40	40	40	40	25	25	16	16
DN											
A	1/4"	3/8"	1/2"	3/4"	1"	1"1/4	1"1/2	2"	2" 1/2	3"	4"
C	197	197	200	185	190	210	231	233	273	300	338
D	81	81	81	106	106	106	123	123	137	148	164
E	72	72	82	92	102	118	134	144	160	200	240
F	162	162	162	238	238	238	272	272	328	366	428
G	36	36	41	46	51	59	67	72	80	100	120
ACT.	SR 63	SR 63	SR 63	SR 85	SR 85	SR 85	SR 100	SR 100	SR 115	SR 125	SR 140

IN FASE D'ORDINE DEFINIRE LA POSIZIONE DELLA SFERA - PLEASE SPECIFY THE FLOW PATH WHILE ORDERING.



## Art. 8P0251 (T) - 8P0252 (T) - 8P0219 (L) - 8P0220 (L)

 Valvola a sfera ricavata da **massello**, 3 vie, 4 guarnizioni in PTFE vergine, lucida, acciaio inox AISI 316, attacchi DIN 11851 F/F/F, passaggio **TOTALE**, sfera forata a "T" o "L", con attuatore.

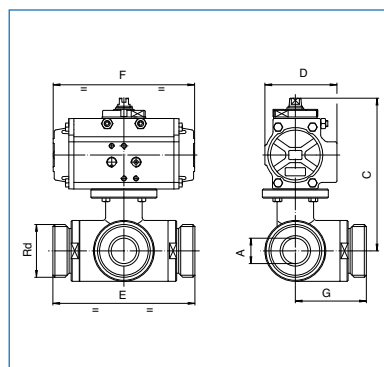
 3 ways ball valve, from **ingot**, 4 PTFE seals, AISI 316, polished, DIN 11851 connection F/F/F, **FULL BORE**, T or L port, with actuator.



Art. 8P0251 (T) - 8P0219 (L)

VALVOLA CON ATTUATORE DOPPIO EFFETTO  
VALVE WITH DOUBLE ACTING ACTUATOR

PN	40	40	40	40	40	40	25	25	16	16
DN										
A	10	15	20	25	32	40	50	65	80	100
Rd	28x1/8"	34x1/8"	44x1/6"	52x1/6"	58x1/6"	65x1/6"	78x1/6"	95x1/6"	110x1/4"	130x1/4"
C	136	139	157	162	182	206	220	230	258	273
D	71	71	81	81	81	95	106	106	123	123
E	108	118	130	140	156	172	182	196	256	286
F	140	140	162	162	162	207	238	238	272	272
G	54	59	65	70	78	86	91	98	128	143
ACT.	DA 52	DA 52	DA 63	DA 63	DA 63	DA 75	DA 85	DA 85	DA 100	DA 100




Art. 8P0252 (T) - 8P0220 (L)


VALVOLA CON ATTUATORE SEMPLICE EFFETTO  
VALVE WITH SPRING RETURN ACTUATOR

PN	40	40	40	40	40	40	25	25	16	16
DN										
A	10	15	20	25	32	40	50	65	80	100
Rd	28x1/2"	34x1/8"	44x1/6"	52x1/6"	58x1/6"	65x1/6"	78x1/6"	95x1/6"	110x1/4"	130x1/4"
C	147	150	185	190	210	231	233	273	300	337
D	81	81	106	106	106	123	123	137	148	164
E	108	118	130	140	156	172	182	196	256	286
F	162	162	238	238	238	272	272	328	366	428
G	54	59	65	70	78	86	91	98	128	143
ACT.	SR 63	SR 63	SR 85	SR 85	SR 85	SR 100	SR 100	SR 115	SR 125	SR 140

IN FASE D'ORDINE DEFINIRE LA POSIZIONE DELLA SFERA - PLEASE SPECIFY THE FLOW PATH WHILE ORDERING.

## Art. 8P0249 (T) - 8P0250 (T) - 8P0217 (L) - 8P0218 (L)

 Valvola a sfera ricavata da **massello**, 3 vie, 4 guarnizioni in PTFE vergine, lucida, acciaio inox AISI 304, attacchi DIN 11851 F/F/F, passaggio **TOTALE**, sfera forata a "T" o "L", con attuatore.

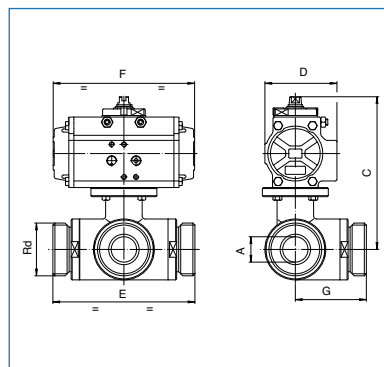
 3 ways ball valve, from **ingot**, 4 PTFE seals, AISI 304, polished, DIN 11851 connection F/F/F, **FULL BORE**, T or L port, with actuator.



Art. 8P0249 (T) - 8P0217 (L)

VALVOLA CON ATTUATORE DOPPIO EFFETTO  
VALVE WITH DOUBLE ACTING ACTUATOR

PN	40	40	40	25	25	16	16
DN							
A	25	32	40	50	65	80	100
Rd	52x1/6"	58x1/6"	65x1/6"	78x1/6"	95x1/6"	110x1/4"	130x1/4"
C	162	182	206	220	230	258	273
D	81	81	95	106	106	123	123
E	140	156	172	182	196	256	286
F	162	162	207	238	238	272	272
G	70	78	86	91	98	128	143
ACT.	DA 63	DA 63	DA 75	DA 85	DA 85	DA 100	DA 100



Art. 8P0250 (T) - 8P0218 (L)


VALVOLA CON ATTUATORE SEMPLICE EFFETTO  
VALVE WITH SPRING RETURN ACTUATOR

PN	40	40	40	25	25	16	16
DN							
A	25	32	40	50	65	80	100
Rd	52x1/6"	58x1/6"	65x1/6"	78x1/6"	95x1/6"	110x1/4"	130x1/4"
C	190	210	231	233	273	300	337
D	106	106	123	123	137	148	164
E	140	156	172	182	196	256	286
F	238	238	272	272	328	366	428
G	70	78	86	91	98	128	143
ACT.	SR 85	SR 85	SR 100	SR 100	SR 115	SR 125	SR 140

IN FASE D'ORDINE DEFINIRE LA POSIZIONE DELLA SFERA - PLEASE SPECIFY THE FLOW PATH WHILE ORDERING.



## Art. 8P0071 (T) - 8P0075 (T) - 8P0072 (L) - 8P0076 (L)

 Valvola a sfera ricavata da **massello**, 3 vie, lucida, acciaio inox AISI 316, flangiata, a passaggio **TOTALE**, sfera forata a "T" o "L", con attuatore.

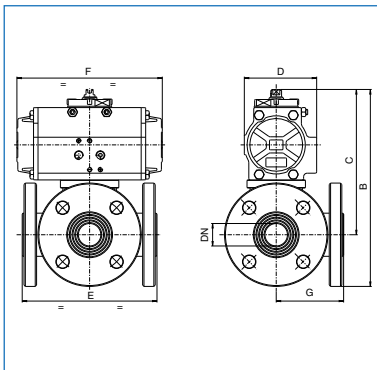
 3 way flanged polished ball valve from **ingot**, stainless steel AISI 316, **FULL** bore, "T" or "L" port, with actuator.



Art. 8P0071 (T) - 8P0072 (L)

VALVOLA CON ATTUATORE DOPPIO EFFETTO  
VALVE WITH DOUBLE ACTING ACTUATOR

DN	PN	10	15	20	25	32	40	50	65	80	100
		40	40	40	40	40	40	25	25	16	16
B		181	186	210	219	252	281	303	323	358	383
C		136	139	157	162	182	206	220	230	258	273
D		71	71	81	81	81	95	106	106	123	123
E		120	130	140	150	180	200	220	240	260	300
F		140	140	162	162	162	207	238	238	272	272
G		60	65	70	75	90	100	110	120	130	150
ACT.		DA 52	DA 52	DA 63	DA 63	DA 63	DA 75	DA 85	DA 85	DA 100	DA 100




Art.. 8P0075 (T) - 8P0076 (L)


VALVOLA CON ATTUATORE SEMPLICE EFFETTO  
VALVE WITH SPRING RETURN ACTUATOR

DN	PN	10	15	20	25	32	40	50	65	80	100
		40	40	40	40	40	40	25	25	16	16
B		242	247	238	247	280	306	316	366	400	448
C		197	200	185	190	210	231	233	273	300	338
D		81	81	106	106	106	123	123	137	148	164
E		120	130	140	150	180	200	220	240	260	300
F		162	162	238	238	238	272	272	328	366	428
G		60	65	70	75	90	100	110	120	130	150
ACT.		SR 63	SR 63	SR 85	SR 85	SR 85	SR 100	SR 100	SR 115	SR 125	SR 140

IN FASE D'ORDINE DEFINIRE LA POSIZIONE DELLA SFERA - PLEASE SPECIFY THE FLOW PATH WHILE ORDERING.

## Art. 8P0073 (T) - 8P0077 (T) - 8P0074 (L) - 8P0078 (L)

 Valvola a sfera ricavata da **massello**, 3 vie, lucida, acciaio inox AISI 304, flangiata, passaggio **TOTALE**, sfera forata a "T" o "L", con attuatore.

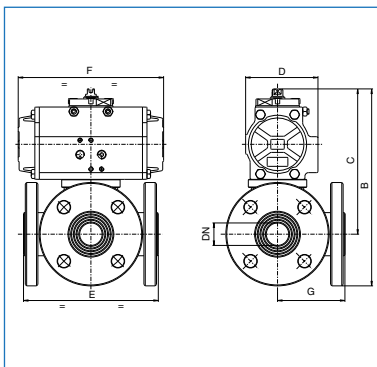
 3 way flanged polished ball valve from **ingot**, stainless steel AISI 304, **FULL** bore, "T" or "L" port, with actuator.



Art. 8P0073 (T) - 8P0074 (L)

VALVOLA CON ATTUATORE DOPPIO EFFETTO  
VALVE WITH DOUBLE ACTING ACTUATOR

DN	PN	10	15	20	25	32	40	50	65	80	100
		40	40	40	40	40	40	25	25	16	16
B		181	186	210	219	252	281	303	323	358	383
C		136	139	157	162	182	206	220	230	258	273
D		71	71	81	81	81	95	106	106	123	123
E		120	130	140	150	180	200	220	240	260	300
F		140	140	162	162	162	207	238	238	272	272
G		60	65	70	75	90	100	110	120	130	150
ACT.		DA 52	DA 52	DA 63	DA 63	DA 63	DA 75	DA 85	DA 85	DA 100	DA 100



Art. 8P0077 (T) - 8P0078 (L)

VALVOLA CON ATTUATORE SEMPLICE EFFETTO  
VALVE WITH SPRING RETURN ACTUATOR


DN	PN	10	15	20	25	32	40	50	65	80	100
		40	40	40	40	40	40	25	25	16	16
B		242	247	238	247	280	306	316	366	400	448
C		197	200	185	190	210	231	233	273	300	338
D		81	81	106	106	106	123	123	137	148	164
E		120	130	140	150	180	200	220	240	260	300
F		162	162	238	238	238	272	272	328	366	428
G		60	65	70	75	90	100	110	120	130	150
ACT.		SR 63	SR 63	SR 85	SR 85	SR 85	SR 100	SR 100	SR 115	SR 125	SR 140


IN FASE D'ORDINE DEFINIRE LA POSIZIONE DELLA SFERA - PLEASE SPECIFY THE FLOW PATH WHILE ORDERING.



## Art. 8P0256 (T) - 8P0258 (T) - 8P0255 (L) - 8P0257 (L)

**NEW**

 Valvola a sfera ricavata da **massello**, 3 vie, lucida, acciaio inox AISI 316, attacchi CLAMP ISO 2852-DIN 32676, 4 guarnizioni in PTFE vergine, passaggio **TOTALE** e **RIDOTTO** sfera forata a "T" o "L" con attuatore.

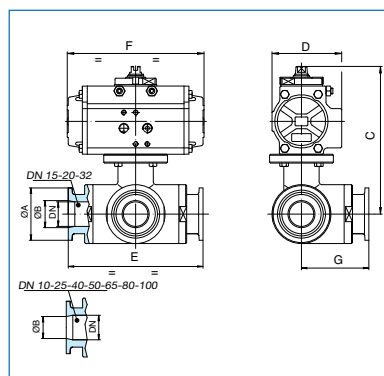
 3 ways ball valve, from ingot, AISI 316, CLAMP connections ISO 2852-DIN 32676, 4 PTFE seals, polished, full bore or reduced bore, "T" or "L" port, with actuator.



### Art. 8P0256 (T) - 8P0255 (L)

VALVOLA CON ATTUATORE DOPPIO EFFETTO  
VALVE WITH DOUBLE ACTING ACTUATOR

DN PN	10 40	15 40	20 40	25 40	32 40	40 40	50 25	65 25	80 16	100 16
CLAMP	1/2"	3/4"	1"	1"	1 1/2"	1 1/2"	2"	2 1/2"	3"	4"
ØA	25	25	51	51	51	51	64	78	91	119
ØB	9,7	16	22,2	22,2	34,8	34,8	47,5	60,2	72,6	97,6
C	136	139	157	162	182	206	220	230	258	273
D	71	71	81	81	81	95	106	106	123	123
E	108	118	130	140	156	172	182	196	256	286
F	140	140	162	162	162	207	238	238	272	272
G	54	59	65	70	78	86	91	98	128	143
ACT.	DA 52	DA 52	DA 63	DA 63	DA 63	DA 75	DA 85	DA 85	DA 100	DA 100




### Art. 8P0258 (T) - 8P0257 (L)


VALVOLA CON ATTUATORE SEMPLICE EFFETTO  
VALVE WITH SPRING RETURN ACTUATOR

DN PN	10 40	15 40	20 40	25 40	32 40	40 40	50 25	65 25	80 16	100 16
CLAMP	1/2"	3/4"	1"	1"	1 1/2"	1 1/2"	2"	2 1/2"	3"	4"
ØA	25	25	51	51	51	51	64	78	91	119
ØB	9,7	16	22,2	22,2	34,8	34,8	47,5	60,2	72,6	97,6
C	147	150	185	190	210	231	233	273	300	337
D	81	81	106	106	106	123	123	137	148	164
E	108	118	130	140	156	172	182	196	256	286
F	162	162	238	238	238	272	272	328	366	428
G	54	59	65	70	78	86	91	98	128	143
ACT.	SR 63	SR 63	SR 85	SR 85	SR 85	SR 100	SR 100	SR 115	SR 125	SR 140

IN FASE D'ORDINE DEFINIRE LA POSIZIONE DELLA SFERA - PLEASE SPECIFY THE FLOW PATH WHILE ORDERING.

## Art. 8P0083 (T) - 8P0085 (T) - 8P0084 (L) - 8P0086 (L)

 Valvola a sfera 3 vie [RB Art. 3500 (T) - 3600 (L)], in ottone CW 617N con guarnizioni PTFE + VITON, filettata F/F/F, passaggio **TOTALE**, sfera forata a "T" o "L", con attuatore. **Non idonea per solventi.**

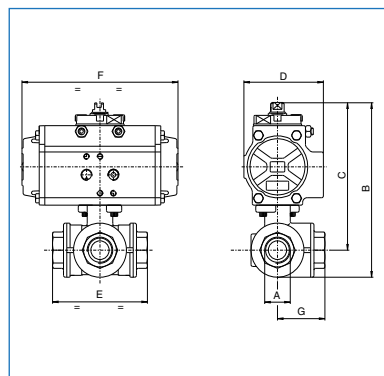
 3 way brass ball valve CW 617N [RB Art. 3500 (T) - 3600 (L)], seals in PTFE + VITON, threaded F/F/F, **FULL** bore, "T" or "L" port, with actuator. **Not suitable for use with solvents.**



### Art. 8P0083 (T) - 8P0084 (L)

VALVOLA CON ATTUATORE DOPPIO EFFETTO  
VALVE WITH DOUBLE ACTING ACTUATOR

PN	30	30	30	30	16	10	10	10
DN A	1/4"	3/8"	1/2"	3/4"	1"	1 1/4"	1 1/2"	2"
B	113	113	118	155	167	185	218	258
C	96	96	98	131	137	149	175	202
D	45	45	45	71	71	71	81	95
E	67	67	77	87	105	123	139	166
F	110	110	110	140	140	140	162	207
G	34	34	39	44	53	62	70	83
ACT.	DA 32	DA 32	DA 32	DA 52	DA 52	DA 52	DA 63	DA 75
RI	4022	4022	4022	4023	4023	4023	4024	4026




### Art. 8P0085 (T) - 8P0086 (L)


VALVOLA CON ATTUATORE SEMPLICE EFFETTO  
VALVE WITH SPRING RETURN ACTUATOR

PN	30	30	30	30	16	10	10	10
DN A	1/4"	3/8"	1/2"	3/4"	1"	1 1/4"	1 1/2"	2"
B	137	137	142	166	178	196	246	282
C	120	120	123	142	148	160	203	227
D	71	71	71	81	81	81	106	123
E	67	67	77	87	105	123	139	166
F	140	140	140	162	162	162	238	272
G	34	34	39	44	53	62	70	83
ACT.	SR 52	SR 52	SR 52	SR 63	SR 63	SR 63	SR 85	SR 100
RI	3798	3798	3798	4025	4025	4025	4026	4026

IN FASE D'ORDINE DEFINIRE LA POSIZIONE DELLA SFERA - PLEASE SPECIFY THE FLOW PATH WHILE ORDERING.

## Art. 8P0148 (T) - 8P0150 (T)

 Valvola a sfera deviatrice [RB Art. 3110 (T)], in ottone CW617N, passaggio totale, filettata F/F/F, sfera forata a "T", con attuatore.

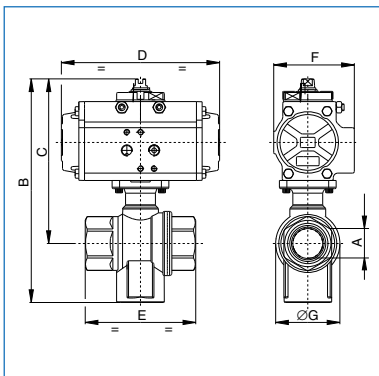
 Diverter brass CW617N ball valve [RB Art. 3110 (T)], full bore, female threaded, "T" port, with actuator.



Art. 8P0148 (T)

VALVOLA CON ATTUATORE DOPPIO EFFETTO  
VALVE WITH DOUBLE ACTING ACTUATOR

PN	25	25	25	16	16	10	10	10
DN								
A	1/4"	3/8"	1/2"	3/4"	1"	1"1/4	1"1/2	2"
B	120	120	130	147	157	193	213	241
C	94	94	96	107	110	139	151	168
D	110	110	110	110	110	140	140	162
E	52	52	64	74	89	100	110	130
F	45	45	45	45	45	71	71	81
G	28	28	35	43	53	63	77	93
ACT.	DA 32	DA 32	DA 32	DA 32	DA 32	DA 52	DA 52	DA 63
RI	4015	4015	4015	4015	4015	4017	4016	4018




Art. 8P0150 (T)


VALVOLA CON ATTUATORE SEMPLICE EFFETTO  
VALVE WITH SPRING RETURN ACTUATOR

PN	25	25	25	16	16	10	10	10
DN								
A	1/4"	3/8"	1/2"	3/4"	1"	1"1/4	1"1/2	2"
B	144	144	154	171	182	193	240	269
C	118	118	121	132	135	139	179	196
D	140	140	140	140	140	140	207	238
E	52	52	64	74	89	100	110	130
F	71	71	71	71	71	71	95	106
G	28	28	35	43	53	63	77	93
ACT.	SR 52	SR 52	SR 52	SR 52	SR 52	SR 52	SR 75	SR 85
RI	4017	4017	4017	4017	4017	4017	4030	4030

IN FASE D'ORDINE DEFINIRE LA POSIZIONE DELLA SFERA - PLEASE SPECIFY THE FLOW PATH WHILE ORDERING.

## Art. 8P0151 (L)

 Valvola a sfera deviatrice [Rb Art. 3210 (L)], passaggio totale, filettata F/F/F, sfera a "L", con attuatore rotazione 0°-180°.

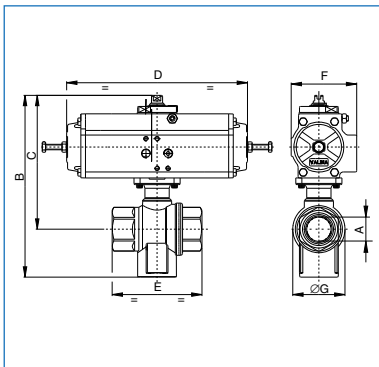
 Diverter brass CW617N ball valve [RB Art. 3210 (L)], full bore, female threaded, "L" port, with actuator rotation 0°-180°.



Art. 8P0151 (L)

VALVOLA CON ATTUATORE DOPPIO EFFETTO  
VALVE WITH DOUBLE ACTING ACTUATOR


PN	25	25	25	16	16	10	10	10
DN								
A	1/4"	3/8"	1/2"	3/4"	1"	1"1/4	1"1/2	2"
B	144	144	154	171	182	193	213	241
C	118	118	121	132	135	139	151	168
D	196	196	196	196	196	196	196	231
E	52	52	64	74	89	100	110	130
F	71	71	71	71	71	71	71	81
G	28	28	35	43	53	63	77	93
ACT.	DA 52	DA 52	DA 52	DA 52	DA 52	DA 52	DA 52	DA 63
RI	4017	4017	4017	4017	4017	4017	4016	4018



IN FASE D'ORDINE DEFINIRE LA POSIZIONE DELLA SFERA - PLEASE SPECIFY THE FLOW PATH WHILE ORDERING.

## Art. 8P0163 (T) - 8P0167 (L) - 8P0164 (T) - 8P0168 (L)

 Valvola 3 vie PVC, sfera a "T" o "L", con attacchi femmina per incollaggio, serie metrica, con attuatore.

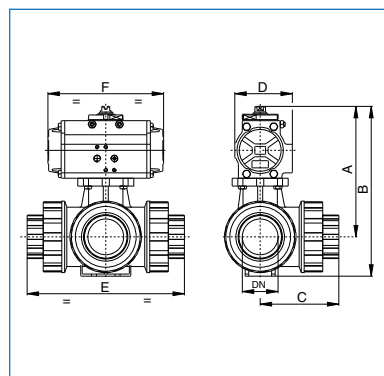
 3 way PVC ball valve, "T" or "L" port, with metric series plain female ends for solvent welding, with actuator.



Art. 8P0163 (T) - 8P0167 (L)

VALVOLA CON ATTUATORE DOPPIO EFFETTO  
VALVE WITH DOUBLE ACTING ACTUATOR

DN	15	20	25	32	40	50
	PN 16	16	16	16	16	16
A	140	157	162	177	181	198
B	172	196	207	228	238	267
C	59	73	80	95	110	134
D	71	81	81	81	81	81
E	118	145	160	189	219	267
F	140	162	162	162	162	162
ACT.	DA 52	DA 63	DA 63	DA 63	DA 63	DA 63




Art. 8P0164 (T) - 8P0168 (L)


VALVOLA CON ATTUATORE SEMPLICE EFFETTO  
VALVE WITH SPRING RETURN ACTUATOR

DN	15	20	25	32	40	50
	PN 16	16	16	16	16	16
A	140	157	162	194	198	223
B	172	196	207	245	255	295
C	59	73	80	95	110	106
D	71	81	81	95	95	106
E	118	145	160	189	219	267
F	140	162	162	207	207	238
ACT.	SR 52	SR 63	SR 63	SR 75	SR 75	SR 85

IN FASE D'ORDINE DEFINIRE LA POSIZIONE DELLA SFERA - PLEASE SPECIFY THE FLOW PATH WHILE ORDERING.

## Art. 8P0055 (L) - 8P0056 (L) - 8P0113 (T) - 8P0114 (T)

 Valvola a sfera tipo "WAFER" (deviatore di flusso), [Valpres Artt. 776000 (L) - 776001 (T)], 3 vie sfera forata a "L" o "T" con due guarnizioni, flangiata PN16 in acciaio al carbonio ASTM A105, passaggio RIDOTTO, con attuatore.

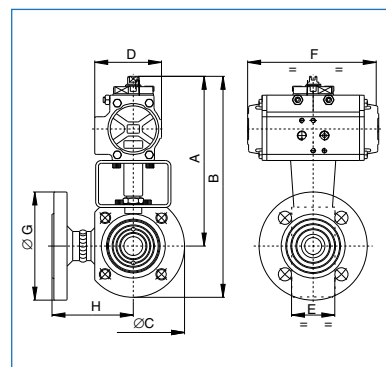
 3 way "WAFER" ball valve (diverting), [Valpres Artt. 776000 (L) - 776001 (T)], "L" or "T" port, two seats, flanged PN16, in carbon steel ASTM A105, REDUCED bore, with actuator.



Art. 8P0055 (L) - 8P0113 (T)

VALVOLA CON ATTUATORE DOPPIO EFFETTO  
VALVE WITH DOUBLE ACTING ACTUATOR

DN	15	20	25	32	40	50	65	80	100	125	150
	PN 16	16	16	16	16	16	16	16	16	16	16
A	147	176	181	188	214	237	265	274	323	348	412
B	191	225	235	253	284	317	355	374	433	473	565
Ø C	89	99	109	130	140	160	180	200	220	250	306
D	45	71	71	71	81	95	106	106	123	123	148
E	40	40	46	58	71	82	106	122	152	196	232
F	110	140	140	140	162	207	238	238	272	272	366
Ø G	95	105	115	140	150	165	185	200	220	250	285
H	76	82	86	100	105	115	125	150	159	190	210
ACT.	DA 32	DA 52	DA 52	DA 52	DA 63	DA 75	DA 85	DA 85	DA 100	DA 100	DA 125
RI	3012	3013	3001	3008	3002	3009	3003	3003	3004	4558	3042




Art. 8P0056 (L) - 8P0114 (T)


VALVOLA CON ATTUATORE SEMPLICE EFFETTO  
VALVE WITH SPRING RETURN ACTUATOR

DN	15	20	25	32	40	50	65	80	100	125	150
	PN 16	16	16	16	16	16	16	16	16	16	16
A	171	187	192	199	242	262	328	349	365	390	434
B	216	236	246	264	312	342	418	449	475	515	587
Ø C	89	99	109	130	140	160	180	200	220	250	306
D	71	81	81	81	106	123	137	148	148	148	164
E	40	40	46	58	71	82	106	122	152	196	232
F	140	162	162	162	238	272	328	366	366	366	428
Ø G	95	105	115	140	150	165	185	200	220	250	285
H	76	82	86	100	105	115	125	150	159	190	210
ACT.	SR 52	SR 63	SR 63	SR 63	SR 85	SR 100	SR 115	SR 125	SR 125	SR 125	SR 140
RI	3780	3014	3007	3048	3009	3009	3010	3010	3005	3036	4562

IN FASE D'ORDINE DEFINIRE LA POSIZIONE DELLA SFERA - PLEASE SPECIFY THE FLOW PATH WHILE ORDERING.

## Art. 8P0057 (L) - 8P0058 (L) - 8P0115 (T) - 8P0116 (T)

 Valvola a sfera tipo "WAFER" (deviatore di flusso), [Valpres Art. 776007 (L) - 776010 (T)], 3 vie, sfera forata a "L" o "T" con due guarnizioni, flangiata PN16, in acciaio inox AISI 316, passaggio RIDOTTO, con attuatore.

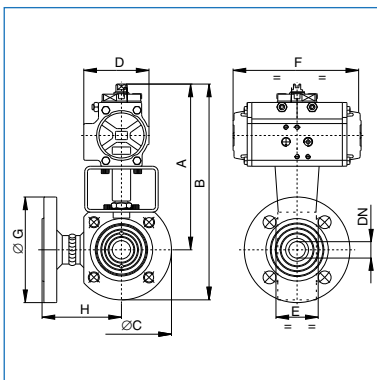
 3 way "WAFER" ball valve (diverting), [Valpres Art. 776007 (L) - 776010 (T)], "L" or "T" port, two seats, flanged PN16, in stainless steel AISI 316, REDUCED bore, with actuator.



Art. 8P0057 tre vie a "L" - 3 way "L"  
Art. 8P0115 tre vie a "T" - 3 way "T"

VALVOLA CON ATTUATORE DOPPIO EFFETTO  
VALVE WITH DOUBLE ACTING ACTUATOR

DN	15	20	25	32	40	50	65	80	100
PN	16	16	16	16	16	16	16	16	16
A	147	176	181	188	214	237	265	274	323
B	191	225	235	253	284	317	355	374	433
Ø C	89	99	109	130	140	160	180	200	220
D	45	71	71	71	81	95	106	106	123
E	40	40	46	58	71	82	106	122	152
F	110	140	140	140	162	207	238	238	272
Ø G	95	105	115	140	150	165	185	200	220
H	76	82	86	100	105	115	125	150	159
ACT.	DA 32	DA 52	DA 52	DA 52	DA 63	DA 75	DA 85	DA 85	DA 100
RI	3012	3013	3001	3008	3002	3009	3003	3003	3004




Art. 8P0058 tre vie a "L" - 3 way "L"  
Art. 8P0116 tre vie a "T" - 3 way "T"


VALVOLA CON ATTUATORE SEMPLICE EFFETTO  
VALVE WITH SPRING RETURN ACTUATOR

DN	15	20	25	32	40	50	65	80	100
PN	16	16	16	16	16	16	16	16	16
A	171	187	192	199	242	262	328	349	365
B	216	236	246	264	312	342	418	449	475
Ø C	89	99	109	130	140	160	180	200	220
D	71	81	81	81	106	123	137	148	148
E	40	40	46	58	71	82	106	122	152
F	140	162	162	162	238	272	328	366	366
Ø G	95	105	115	140	150	165	185	200	220
H	76	82	86	100	105	115	125	150	159
ACT.	SR 52	SR 63	SR 63	SR 63	SR 85	SR 100	SR 115	SR 125	SR 125
RI	3780	3014	3007	3048	3009	3009	3010	3010	3005

IN FASE D'ORDINE DEFINIRE LA POSIZIONE DELLA SFERA - PLEASE SPECIFY THE FLOW PATH WHILE ORDERING.

## Art. 8P0227 - 8P0228

 Valvola a sfera 2 vie in acciaio AISI 316L, filettata F/F, per alta pressione, con attuatore; idonee per olio (idraulico, ecc.) emulsione, gas metano. Per applicazioni particolari consultare l'ufficio commerciale.

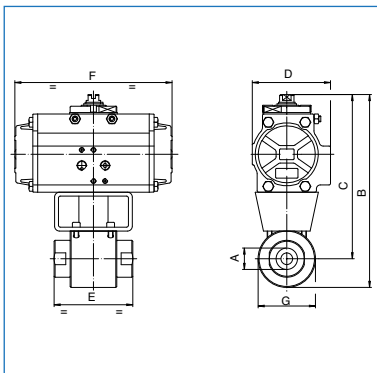
 2 ways ball valve, AISI 316L, F/F threaded, high pressure, with actuator. For Hydraulic oil, emulsion, gas. For particular applications, refer to Valbia.



Art. 8P0227

VALVOLA CON ATTUATORE DOPPIO EFFETTO  
VALVE WITH DOUBLE ACTING ACTUATOR

PN	500	500	400	350	350	350	350
DN	3/8"	1/2"	3/4"	1"	1 1/4"	1 1/2"	2"
A	183	199	230	238	265	311	308
B	156	170	194	199	218	259	313
D	71	81	95	95	123	123	137
E	72	81	98	106	127	135	160
F	140	162	207	207	272	272	328
G	54	59	74	83	99	114	123
ACT.	DA 52	DA63	DA 75	DA 75	DA 100	DA 100	DA 115
RI	4220	4221	4222	4222	4222	4223	4224




Art. 8P0228


VALVOLA CON ATTUATORE SEMPLICE EFFETTO  
VALVE WITH SPRING RETURN ACTUATOR

PN	500	500	400	350	350	350	350
DN	3/8"	1/2"	3/4"	1"	1 1/4"	1 1/2"	2"
A	210	216	254	263	308	341	404
B	183	186	217	221	258	284	343
D	95	95	123	123	137	137	164
E	72	81	98	106	127	135	160
F	207	207	272	272	328	328	428
G	54	59	74	83	99	114	123
ACT.	SR 75	SR 75	SR 100	SR 100	SR 115	SR 115	SR 140
RI	4225	4225	4222	4222	4226	4227	4228



## Art. 8P0137- 8P0138

 Valvola a sfera 2 vie, in 9SMnPb36, filettata F/F, per alta pressione, con attuatore; idonee per olio (idraulico, ecc.) emulsione, gas metano, mentre per applicazioni speciali consultare l'ufficio commerciale.

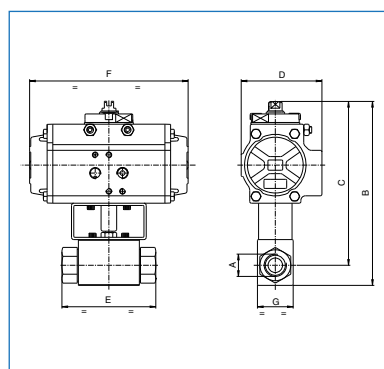
 2 ways ball valve, 9SMnPb36, F/F threaded, for high pressure, with actuator. For Hydraulic oil, emulsion, gas. For particular applications, refer to Valbia.



Art. 8P0137

VALVOLA CON ATTUATORE DOPPIO EFFETTO  
VALVE WITH DOUBLE ACTING ACTUATOR

PN	500	500	400	350	350	350	350
DN							
A	3/8"	1/2"	3/4"	1"	1"1/4	1"1/2	2"
B	170	187	212	222	275	289	325
C	153	166	189	193	228	235	269
D	71	81	95	95	123	123	137
E	73	83	95	112	115	131	140
F	140	162	207	207	272	272	328
G	35	37	45	55	99	113	123
ACT.	DA 52	DA 63	DA 75	DA 75	DA 100	DA 100	DA 115
RI	3740	3741	3742	3742	4027	4027	4019





Art. 8P0138

VALVOLA CON ATTUATORE SEMPLICE EFFETTO  
VALVE WITH SPRING RETURN ACTUATOR

PN	500	500	400	350	350	350	350
DN							
A	3/8"	1/2"	3/4"	1"	1"1/4	1"1/2	2"
B	197	200	237	247	305	319	361
C	180	182	214	218	258	265	304
D	95	95	123	123	137	137	164
E	73	83	95	112	115	131	140
F	207	207	272	272	328	328	428
G	35	37	45	55	99	113	123
ACT.	SR 75	SR 75	SR 100	SR 100	SR 115	SR 115	SR 140
RI	3745	3745	3742	3742	4028	4028	3746

## Art. 8P0229 - 8P0230

 Valvola a sfera 2 vie in acciaio AISI 316L, filettata F/F, per alta pressione, con attuatore; idonee per olio (idraulico, ecc.) emulsione, gas metano. Per applicazioni particolari consultare l'ufficio commerciale.

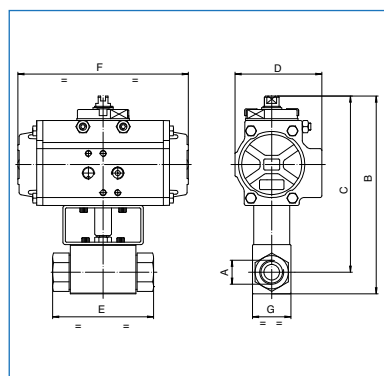
 2 ways ball valve, AISI 316L, F/F threaded, for high pressure, with actuator. For Hydraulic oil, emulsion, gas. For particular applications, refer to Valbia.



Art. 8P0229

VALVOLA CON ATTUATORE DOPPIO EFFETTO  
VALVE WITH DOUBLE ACTING ACTUATOR

PN	500	500	400	350	350	350	350
DN							
A	3/8"	1/2"	3/4"	1"	1"1/4	1"1/2	2"
B	170	184	212	222	275	289	326
C	152	166	189	193	228	235	269
D	71	81	95	95	123	123	137
E	73	83	95	112	115	131	140
F	140	162	207	207	272	272	328
G	35	37	45	55	88	102	118
ACT.	DA 52	DA63	DA 75	DA 75	DA 100	DA 100	DA 115
RI	3740	3741	3742	3742	4027	4027	4019





Art. 8P0230

VALVOLA CON ATTUATORE SEMPLICE EFFETTO  
VALVE WITH SPRING RETURN ACTUATOR

PN	500	500	400	350	350	350	350
DN							
A	3/8"	1/2"	3/4"	1"	1"1/4	1"1/2	2"
B	197	200	237	247	305	319	360
C	180	182	214	217	258	265	303
D	95	95	123	123	137	137	164
E	73	83	95	112	115	131	140
F	207	207	272	272	328	328	428
G	35	37	45	55	88	102	118
ACT.	SR 75	SR 75	SR 100	SR 100	SR 115	SR 115	SR 140
RI	3745	3745	3742	3742	4028	4028	3746

## Art. 8P0153 (L) - 8P0154 (T) - 8P0155 (L) - 8P0156 (T)

 Valvola a sfera 3 vie, in 9SMnPb36, con sfera forata a "L" o "T", solo deviatrice, filettata F/F/F, per alta pressione, con attuatore; idonee per olio (idraulico, ecc.) emulsione, gas metano, mentre per applicazioni speciali consultare l'ufficio commerciale.

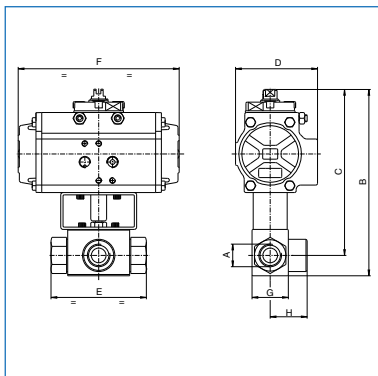
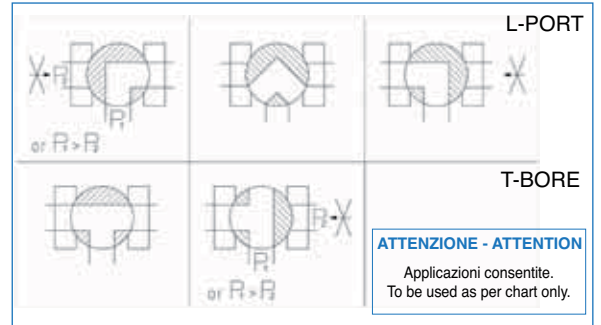
 3 ways ball valve, 9SMnPb36, L or T port, diverting only, F/F/F threaded, for high pressure, with actuator. For Hydraulic oil, emulsion, gas. For particular applications, refer to Valbia.



Art. 8P0153 (L)  
Art. 8P0154 (T)

PN	400	350	350	350
DN	3/8"	1/2"	3/4"	1"
A	170	184	212	222
B	153	167	189	193
C	71	81	95	95
D	73	83	95	112
E	140	162	207	207
F	35	37	45	55
G	37	40	52	60
H	ACT. DA 52	DA 63	DA 75	DA 75
RI	3740	3741	3742	3742

VALVOLA CON ATTUATORE DOPPIO EFFETTO  
VALVE WITH DOUBLE ACTING ACTUATOR




Art. 8P0155 (L)  
Art. 8P0156 (T)


PN	400	350	350	350
DN	3/8"	1/2"	3/4"	1"
A	197	200	237	247
B	180	182	214	218
C	95	95	123	123
D	73	83	95	112
E	207	207	272	272
F	35	37	45	55
G	37	40	52	60
H	ACT. SR 75	SR 75	SR 100	SR 100
RI	3745	3745	3742	3742

VALVOLA CON ATTUATORE SEMPLICE EFFETTO  
VALVE WITH SPRING RETURN ACTUATOR

IN FASE D'ORDINE DEFINIRE LA POSIZIONE DELLA SFERA - PLEASE SPECIFY THE FLOW PATH WHILE ORDERING.

## Art. 8P0233 (L) - 8P0234 (T) - 8P0235 (L) - 8P0236 (T)

 Valvola a sfera 3 vie, in acciaio AISI 316 L, con sfera forata a "L" o "T", solo deviatrice, filettata F/F/F, per alta pressione, con attuatore; idonee per olio (idraulico, ecc.) emulsione, gas metano. Per applicazioni particolari consultare l'ufficio commerciale.

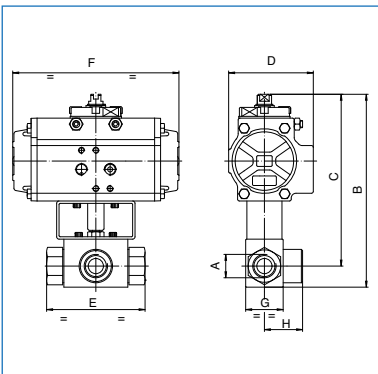
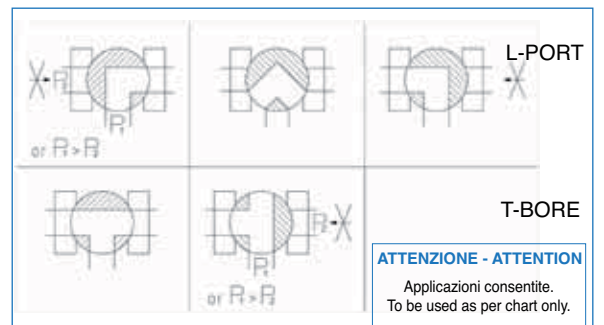
 3 ways ball valve, AISI 316L, L or T port, diverting only, F/F/F threaded, for high pressure, with actuator. For Hydraulic oil, emulsion, gas. For particular applications, refer to Valbia.



Art. 8P0233 (L)  
Art. 8P0234 (T)

PN	400	350	350	350
DN	3/8"	1/2"	3/4"	1"
A	170	184	212	222
B	153	167	189	193
C	71	81	95	95
D	73	83	95	112
E	140	162	207	207
F	35	37	45	55
G	37	40	52	60
H	ACT. DA 52	DA 63	DA 75	DA 75
RI	3740	3741	3742	3742

VALVOLA CON ATTUATORE DOPPIO EFFETTO  
VALVE WITH DOUBLE ACTING ACTUATOR




Art. 8P0235 (L)  
Art. 8P0236 (T)


PN	400	350	350	350
DN	3/8"	1/2"	3/4"	1"
A	197	200	237	247
B	180	182	214	218
C	95	95	123	123
D	73	83	95	112
E	207	207	272	272
F	35	37	45	55
G	37	40	52	60
H	ACT. SR 75	SR 75	SR 100	SR 100
RI	3745	3745	3742	3742

VALVOLA CON ATTUATORE SEMPLICE EFFETTO  
VALVE WITH SPRING RETURN ACTUATOR

IN FASE D'ORDINE DEFINIRE LA POSIZIONE DELLA SFERA - PLEASE SPECIFY THE FLOW PATH WHILE ORDERING.

## Art. 8P0097 - 8P0195 - 8P0098 - 8P0196

 Valvola a farfalla tipo "WAFER" PN16, corpo in ghisa G250 + vernice epossidica, disco in GGG40 nichelato, guarnizione in EPDM [Valpres Art. 600117], con attuatore.

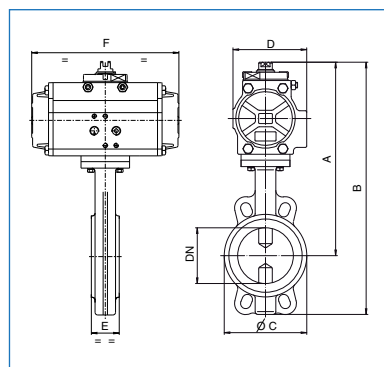
 Butterfly valve "WAFER" type PN16, body in cast iron G250 + Epoxy painting, disc in GGG40 nickeled, EPDM [Valpres Art. 600104] or NBR [Valpres Art. 600117] seat, with actuator.



Art. 8P0097 EPDM  
Art. 8P0195 NBR

VALVOLA CON ATTUATORE DOPPIO EFFETTO  
VALVE WITH DOUBLE ACTING ACTUATOR

DN	50	65	80	100	125	150	200	250	300
PN	16	16	16	16	16	16	16	16	16
A	243	255	270	302	313	339	394	450	572
B	314	333	359	404	436	477	562	657	816
Ø C	100	120	127	161	190	215	268	325	400
D	71	71	81	95	95	106	123	137	148
E	43	46	46	52	56	56	60	68	78
F	140	140	162	207	207	238	272	328	366
ACT.	DA 52	DA 52	DA 63	DA 75	DA 75	DA 85	DA 100	DA 115	DA 125
RI	3836	3836	3838	3839	3840	3841	3842	3865	3866





Art. 8P0098 EPDM  
Art. 8P0196 NBR

VALVOLA CON ATTUATORE SEMPLICE EFFETTO  
VALVE WITH SPRING RETURN ACTUATOR

DN	50	65	80	100	125	150	200	250	300
PN	16	16	16	16	16	16	16	16	16
A	254	266	296	312	337	350	448	492	532
B	325	344	385	414	460	488	616	699	775
Ø C	100	120	127	161	190	215	268	325	400
D	81	81	106	106	123	123	164	187	187
E	43	46	46	52	56	56	60	68	78
F	162	162	238	238	272	272	428	522	522
ACT.	SR 63	SR 63	SR 85	SR 85	SR 100	SR 100	SR 140	SR 160	SR 160
RI	3843	3843	3844	3840	3846	3847	3848	3867	3868

## Art. 8P0237 - 8P0238

 Valvola a farfalla tipo "WAFER" PN10, corpo in ghisa GG25, disco GGG40 nichelato, guarnizione in EPDM con attuatore a doppia regolazione.

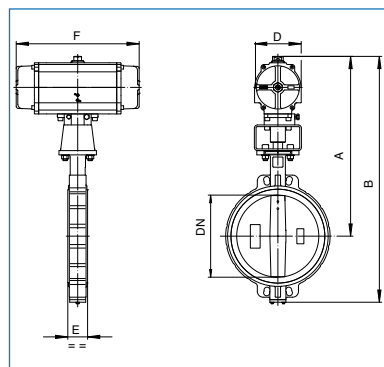
 Butterfly valve "WAFER" type PN 10, GG25 cast iron, GGG40 nickel coated disc, EPDM seat with double adjustment actuator.



Art. 8P0237

VALVOLA CON ATTUATORE DOPPIO EFFETTO-DOPPIA REGOLAZIONE  
VALVE WITH DOUBLE ACTING ACTUATOR-DOUBLE REGULATION

DN	350	400	450	500	600
PN	10	10	10	10	10
A	721	811	833	921	1111
B	980	1120	1160	1282	1570
D	187	218	218	218	290
E	80	107	119	132	156
F	522	575	575	575	672
ACT.	DA 160	DA 200	DA 200	DA 200	DA 270
RI	4236	4171	4171	4237	4172




Art. 8P0238


VALVOLA CON ATTUATORE SEMPLICE EFFETTO-DOPPIA REGOLAZIONE  
VALVE WITH SPRING RETURN ACTUATOR-DOUBLE REGULATION

DN	350	400	450	500	600
PN	10	10	10	10	10
A	779	949	971	1029	-
B	1038	1258	1298	1390	-
D	218	290	290	290	-
E	80	107	119	132	-
F	575	672	672	672	-
ACT.	SR 200	SR 270	SR 270	SR 270	-
RI	4238	4193	4193	4239	-



## Art. 8P0101 - 8P0197 - 8P0102 - 8P0198

 Valvola a farfalla tipo "WAFER" PN16, corpo in ghisa G250 + vernice epossidica, disco AISI 316, guarnizione in EPDM [Valpres Art. 600105] o NBR [Valpres Art. 600119], con attuatore.

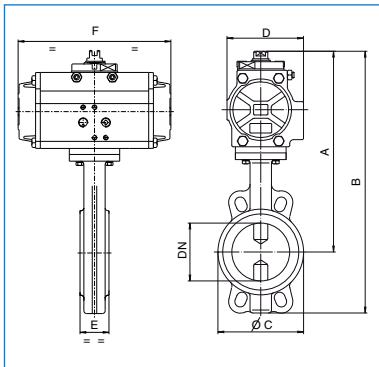
 Butterfly valve "WAFER" type PN16, body in cast iron G250 + Epoxy painting, disc AISI 316, EPDM [Valpres Art. 600105] o NBR [Valpres Art. 600119] seat, with actuator.



Art. 8P0101 EPDM  
Art. 8P0197 NBR

VALVOLA CON ATTUATORE DOPPIO EFFETTO  
VALVE WITH DOUBLE ACTING ACTUATOR

DN	PN	32	40	50	65	80	100	125	150	200	250	300
		16	16	16	16	16	16	16	16	16	16	16
A		212	212	243	255	270	302	313	339	394	450	572
B		270	282	314	333	359	404	436	477	562	657	816
Ø C		85	95	100	120	127	161	190	215	268	325	400
D		71	71	71	71	81	95	95	106	123	137	148
E		33	33	43	46	46	52	56	56	60	68	78
F		140	140	140	140	162	207	207	238	272	328	366
ACT.		DA 52	DA 52	DA 52	DA 52	DA 63	DA 75	DA 75	DA 85	DA 100	DA 115	DA 125
RI		3155	3836	3836	3836	3838	3839	3840	3841	3842	3865	3866





Art. 8P0102 EPDM  
Art. 8P0198 NBR

VALVOLA CON ATTUATORE SEMPLICE EFFETTO  
VALVE WITH SPRING RETURN ACTUATOR

DN	PN	32	40	50	65	80	100	125	150	200	250	300
		16	16	16	16	16	16	16	16	16	16	16
A		219	223	254	266	296	312	337	350	448	492	532
B		277	293	325	344	385	414	460	488	616	699	775
Ø C		85	95	100	120	127	161	190	215	268	325	400
D		81	81	81	81	106	106	123	123	164	187	187
E		33	33	43	46	46	52	56	56	60	68	78
F		162	162	162	162	238	238	272	272	428	522	522
ACT.		SR 63	SR 63	SR 63	SR 63	SR 85	SR 85	SR 100	SR 100	SR 140	SR 160	SR 160
RI		3176	3843	3843	3843	3844	3840	3846	3847	3848	3867	3868

## Art. 8P0239 - 8P0240

 Valvola a farfalla tipo "WAFER" PN10, corpo in ghisa GG25, disco CF8M, guarnizione in EPDM con attuatore a doppia regolazione.

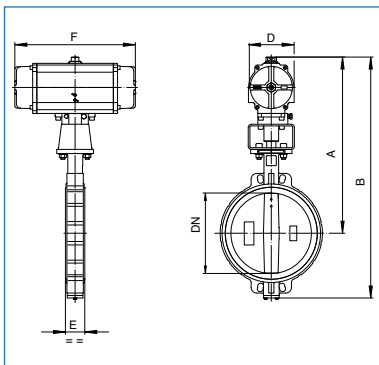
 Butterfly valve "WAFER" type PN 10, GG25 cast iron, CF8M disc, EPDM seat with double adjustment actuator.



Art. 8P0239

VALVOLA CON ATTUATORE DOPPIO EFFETTO-DOPPIA REGOLAZIONE  
VALVE WITH DOUBLE ACTING ACTUATOR-DOUBLE REGULATION

DN	PN	350	400	450	500	600
		10	10	10	10	10
A		721	811	833	921	1111
B		980	1120	1160	1282	1570
D		187	218	218	218	290
E		80	107	119	132	156
F		522	575	575	575	672
ACT.		DA 160	DA 200	DA 200	DA 200	DA 270
RI		4236	4171	4171	4237	4172




Art. 8P0240

VALVOLA CON ATTUATORE SEMPLICE EFFETTO-DOPPIA REGOLAZIONE  
VALVE WITH SPRING RETURN ACTUATOR-DOUBLE REGULATION

DN	PN	350	400	450	500	600
		10	10	10	10	10
A		779	949	971	1029	-
B		1038	1258	1298	1390	-
D		218	290	290	290	-
E		80	107	119	132	-
F		575	672	672	672	-
ACT.		SR 200	SR 270	SR 270	SR 270	-
RI		4238	4193	4193	4239	-

## Art. 8P0203 - 8P0204

 Valvola a farfalla tipo "WAFER" PN16, corpo in ghisa G250 + vernice epossidica, disco GGG40 nichelato, guarnizione in VITON temperatura max di esercizio 150° C, con attuatore VITON.

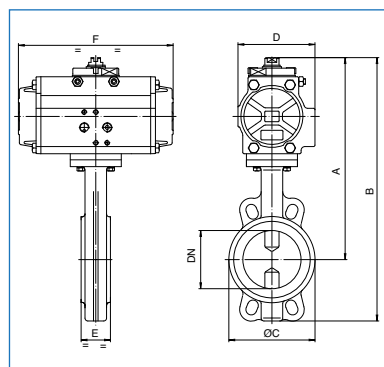
 Butterfly valve "WAFER" type PN 16, G250 cast iron + epoxy painting, GGG40 disc, VITON seat max operating temperature 150°C, with VITON seats actuator.



Art. 8P0203 VITON

VALVOLA CON ATTUATORE DOPPIO EFFETTO  
VALVE WITH DOUBLE ACTING ACTUATOR

DN	50	65	80	100	125	150	200	250	300
PN	16	16	16	16	16	16	16	16	16
A	243	255	270	302	313	339	394	450	572
B	314	333	359	404	436	477	562	657	816
Ø C	100	120	127	161	190	215	268	325	400
D	71	71	81	95	95	106	123	137	148
E	43	46	46	52	56	56	60	68	78
F	140	140	162	207	207	238	272	328	366
ACT.	DA 52	DA 52	DA 63	DA 75	DA 75	DA 85	DA 100	DA 115	DA 125
RI	3836	3836	3838	3839	3840	3841	3842	3865	3866





Art. 8P0204 VITON

VALVOLA CON ATTUATORE SEMPLICE EFFETTO  
VALVE WITH SPRING RETURN ACTUATOR

DN	50	65	80	100	125	150	200	250	300
PN	16	16	16	16	16	16	16	16	16
A	254	266	296	312	337	350	448	492	532
B	325	344	385	414	460	488	616	699	775
Ø C	100	120	127	161	190	215	268	325	400
D	81	81	106	106	123	123	164	187	187
E	43	46	46	52	56	56	60	68	78
F	162	162	238	238	272	272	428	522	522
ACT.	SR 63	SR 63	SR 85	SR 85	SR 100	SR 100	SR 140	SR 160	SR 160
RI	3843	3843	3844	3840	3846	3847	3848	3867	3868

## Art. 8P0205 - 8P0206

 Valvola a farfalla tipo "WAFER" PN16, corpo in ghisa G250 + vernice epossidica, disco AISI 316, guarnizione in VITON temperatura max di esercizio 150° C, con attuatore VITON.

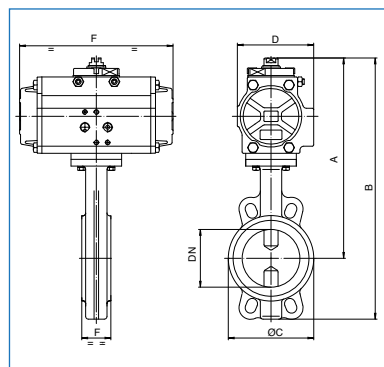
 Butterfly valve "WAFER" type PN 16, G250 cast iron + epoxy painting, AISI 316 disc, Viton seat max operating temperature 150°C, with VITON seats actuator.



Art. 8P0205 VITON

VALVOLA CON ATTUATORE DOPPIO EFFETTO  
VALVE WITH DOUBLE ACTING ACTUATOR

DN	50	65	80	100	125	150	200	250	300
PN	16	16	16	16	16	16	16	16	16
A	243	255	270	302	313	339	394	450	572
B	314	333	359	404	436	477	562	657	816
Ø C	100	120	127	161	190	215	268	325	400
D	71	71	81	95	95	106	123	137	148
E	43	46	46	52	56	56	60	68	78
F	140	140	162	207	207	238	272	328	366
ACT.	DA 52	DA 52	DA 63	DA 75	DA 75	DA 85	DA 100	DA 115	DA 125
RI	3836	3836	3838	3839	3840	3841	3842	3865	3866





Art. 8P0206 VITON

VALVOLA CON ATTUATORE SEMPLICE EFFETTO  
VALVE WITH SPRING RETURN ACTUATOR

DN	50	65	80	100	125	150	200	250	300
PN	16	16	16	16	16	16	16	16	16
A	254	266	296	312	337	350	448	492	532
B	325	344	385	414	460	488	616	699	775
Ø C	100	120	127	161	190	215	268	325	400
D	81	81	106	106	123	123	164	187	187
E	43	46	46	52	56	56	60	68	78
F	162	162	238	238	272	272	428	522	522
ACT.	SR 63	SR 63	SR 85	SR 85	SR 100	SR 100	SR 140	SR 160	SR 160
RI	3843	3843	3844	3840	3846	3847	3848	3867	3868

## Art. 8P0105 - 8P0201 - 8P0106 - 8P0202

 Valvola a farfalla tipo "LUG" PN16, corpo in ghisa GGG40 + vernice epossidica, disco in GGG40 nichelato, guarnizione in EPDM [Valpres Art. 600204] o NBR [Valpres Art. 600231] con attuatore.

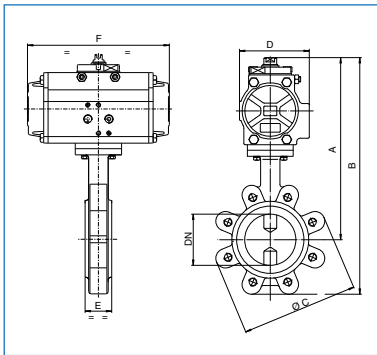
 Butterfly valve "LUG" type PN16, body in cast iron GGG40 + Epoxy painting, disc GGG40 nickeled, EPDM [Valpres Art. 600204] or NBR [Valpres Art. 600231] seat, with actuator.



Art. 8P0105 EPDM  
Art. 8P0201 NBR

VALVOLA CON ATTUATORE DOPPIO EFFETTO  
VALVE WITH DOUBLE ACTING ACTUATOR

DN	50		65		80		100		125		150		200		250		300	
PN	16	16	16	16	16	16	16	16	16	16	16	16	16	16	16	16	16	16
A	243	255	270	302	313	339	394	450	572									
B	314	333	359	404	436	477	562	657	816									
ØC	165	185	200	220	250	285	340	405	460									
D	71	71	81	95	95	106	123	137	148									
E	43	46	46	52	56	56	60	68	78									
F	140	140	162	207	207	238	272	328	366									
ACT.	DA 52	DA 52	DA 63	DA 75	DA 75	DA 85	DA 100	DA 115	DA 125									
RI	3836	3836	3838	3839	3840	3841	3842	3865	3866									





Art. 8P0106 EPDM  
Art. 8P0202 NBR

VALVOLA CON ATTUATORE SEMPLICE EFFETTO  
VALVE WITH SPRING RETURN ACTUATOR

DN	50		65		80		100		125		150		200		250		300	
PN	16	16	16	16	16	16	16	16	16	16	16	16	16	16	16	16	16	16
A	254	266	296	312	337	350	448	492	532									
B	325	344	385	414	460	488	616	699	775									
ØC	165	185	200	220	250	285	340	405	460									
D	81	81	106	106	123	123	164	187	187									
E	43	46	46	52	56	56	60	68	78									
F	162	162	238	238	272	272	428	522	522									
ACT.	SR 63	SR 63	SR 85	SR 85	SR 100	SR 100	SR 140	SR 160	SR 160									
RI	3843	3843	3844	3840	3846	3847	3848	3867	3868									

## Art. 8P0241 - 8P0242

 Valvola a farfalla tipo "LUG" PN10, corpo in ghisa GGG40, disco in GGG40 nichelato, guarnizione in EPDM con attuatore a doppia regolazione.

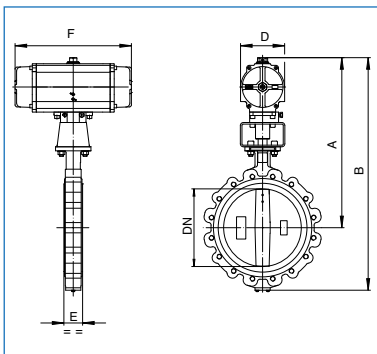
 Butterfly valve "LUG" type PN 10, GGG40 cast iron, GGG40 nickel coated disc, EPDM seat with double adjustment actuator.



Art. 8P0241

VALVOLA CON ATTUATORE DOPPIO EFFETTO-DOPPIA REGOLAZIONE  
VALVE WITH DOUBLE ACTING ACTUATOR-DOUBLE REGULATION

DN	350		400		450		500		600	
PN	10	10	10	10	10	10	10	10	10	10
A	721	811	833	921	1111					
B	980	1120	1160	1282	1570					
D	187	218	218	218	290					
E	80	107	119	132	156					
F	522	575	575	575	672					
ACT.	DA 160	DA 200	DA 200	DA 200	DA 270					
RI	4236	4171	4171	4237	4172					



Art. 8P0242

VALVOLA CON ATTUATORE SEMPLICE EFFETTO-DOPPIA REGOLAZIONE  
VALVE WITH SPRING RETURN ACTUATOR-DOUBLE REGULATION

DN	350		400		450		500		600	
PN	10	10	10	10	10	10	10	10	10	10
A	779	949	971	1029	-					
B	1038	1258	1298	1390	-					
D	218	290	290	290	-					
E	80	107	119	132	-					
F	575	672	672	672	-					
ACT.	SR 200	SR 270	SR 270	SR 270	-					
RI	4238	4193	4193	4239	-					

## Art. 8P0109 - 8P0199 - 8P0110 - 8P0200

 Valvola a farfalla tipo "LUG" PN16, corpo in ghisa GGG40 + vernice epossidica, disco AISI 316, guarnizione in EPDM [Valpres Art. 600205] o NBR [Valpres Art. 600230], con attuatore.

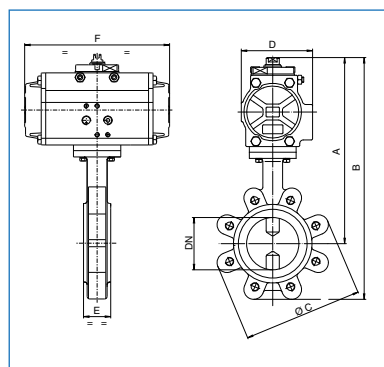
 Butterfly valve "LUG" type PN16, body in cast iron GGG40 + Epoxy painting, disc AISI 316, EPDM seat [Valpres Art. 600205] or NBR [Valpres Art. 600230], with actuator.



Art. 8P0109 EPDM  
Art. 8P0199 NBR

VALVOLA CON ATTUATORE DOPPIO EFFETTO  
VALVE WITH DOUBLE ACTING ACTUATOR

DN	40		50		65		80		100		125		150		200		250		300		
PN	16	16	16	16	16	16	16	16	16	16	16	16	16	16	16	16	16	16	16	16	
A	212	243	255	270	302	313	339	394	450	572											
B	282	314	333	359	404	436	477	562	657	816											
ØC	145	165	185	200	220	250	285	340	405	460											
D	71	71	71	81	95	95	106	123	137	148											
E	33	43	46	46	52	56	56	60	68	78											
F	140	140	140	162	207	207	238	272	328	366											
ACT.	DA 52	DA 52	DA 52	DA 63	DA 75	DA 75	DA 85	DA 100	DA 115	DA 125											
RI	3836	3836	3836	3838	3839	3840	3841	3842	3865	3866											





Art. 8P0110 EPDM  
Art. 8P0200 NBR

VALVOLA CON ATTUATORE SEMPLICE EFFETTO  
VALVE WITH SPRING RETURN ACTUATOR

DN	40		50		65		80		100		125		150		200		250		300		
PN	16	16	16	16	16	16	16	16	16	16	16	16	16	16	16	16	16	16	16	16	
A	223	254	266	296	312	337	350	448	492	532											
B	293	325	344	385	414	460	488	616	699	775											
ØC	145	165	185	200	220	250	285	340	405	460											
D	81	81	81	106	106	123	123	164	187	187											
E	33	43	46	46	52	56	56	60	68	78											
F	162	162	162	238	238	272	272	428	522	522											
ACT.	SR 63	SR 63	SR 63	SR 85	SR 85	SR 100	SR 100	SR 140	SR 160	SR 160											
RI	3843	3843	3843	3844	3840	3846	3847	3848	3867	3868											

## Art. 8P0243 - 8P0244

 Valvola a farfalla tipo "LUG" PN10, corpo in ghisa GGG40, disco CF8M, guarnizione in EPDM con attuatore a doppia regolazione.

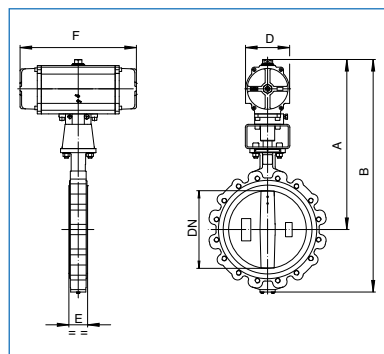
 Butterfly valve "LUG" type PN 10, GGG40 cast iron, CF8M disc, EPDM seat with double adjustment actuator.



Art. 8P0243

VALVOLA CON ATTUATORE DOPPIO EFFETTO-DOPPIA REGOLAZIONE  
VALVE WITH DOUBLE ACTING ACTUATOR-DOUBLE REGULATION

DN	350		400		450		500		600	
PN	10	10	10	10	10	10	10	10	10	10
A	721	811	833	921	1111					
B	980	1120	1160	1282	1570					
D	187	218	218	218	290					
E	80	107	119	132	156					
F	522	575	575	575	672					
ACT.	DA 160	DA 200	DA 200	DA 200	DA 270					
RI	4236	4171	4171	4237	4172					





Art. 8P0244

VALVOLA CON ATTUATORE SEMPLICE EFFETTO-DOPPIA REGOLAZIONE  
VALVE WITH SPRING RETURN ACTUATOR-DOUBLE REGULATION

DN	350		400		450		500		600	
PN	10	10	10	10	10	10	10	10	10	10
A	779	949	971	1029	-					
B	1038	1258	1298	1390	-					
D	218	290	290	290	-					
E	80	107	119	132	-					
F	575	672	672	672	-					
ACT.	SR 200	SR 270	SR 270	SR 270	-					
RI	4238	4193	4193	4239	-					

## Art. 8P0207 - 8P0208

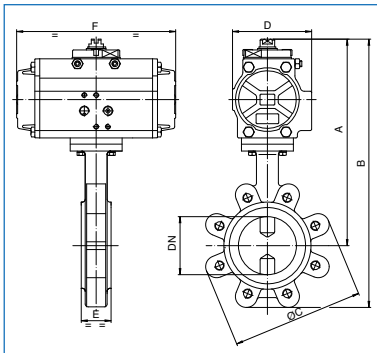
-  Valvola a farfalla tipo "LUG" PN16, corpo in ghisa GGG40 + vernice epossidica, disco in GGG40 nichelato, guarnizione in VITON temperatura max di esercizio 150° C con attuatore VITON.
-  Butterfly valve "LUG" type PN 16, GGG40 cast iron + epoxy painting, GGG40 nickel coated disc, VITON seat max operating temperature 150° C, with VITON seats actuator.



Art. 8P0207 VITON

VALVOLA CON ATTUATORE DOPPIO EFFETTO  
VALVE WITH DOUBLE ACTING ACTUATOR

DN	50		65		80		100		125		150		200		250		300	
PN	16	16	16	16	16	16	16	16	16	16	16	16	16	16	16	16	16	16
A	243	255	270	302	313	339	394	450	572									
B	314	333	359	404	436	477	562	657	816									
ØC	165	185	200	220	250	285	340	405	460									
D	71	71	81	95	95	106	123	137	148									
E	43	46	46	52	56	56	60	68	78									
F	140	140	162	207	207	238	272	328	366									
ACT.	DA 52	DA 52	DA 63	DA 75	DA 75	DA 85	DA 100	DA 115	DA 125									
RI	3836	3836	3838	3839	3840	3841	3842	3865	3866									





Art. 8P0208 VITON

VALVOLA CON ATTUATORE SEMPLICE EFFETTO  
VALVE WITH SPRING RETURN ACTUATOR

DN	50		65		80		100		125		150		200		250		300	
PN	16	16	16	16	16	16	16	16	16	16	16	16	16	16	16	16	16	
A	254	266	296	312	337	350	448	492	532									
B	325	344	385	414	460	488	616	699	775									
ØC	165	185	200	220	250	285	340	405	460									
D	81	81	106	106	123	123	164	187	187									
E	43	46	46	52	56	56	60	68	78									
F	162	162	238	238	272	272	428	522	522									
ACT.	SR 63	SR 63	SR 85	SR 85	SR 100	SR 100	SR 140	SR 160	SR 160									
RI	3843	3843	3844	3840	3846	3847	3848	3867	3868									

## Art. 8P0209 - 8P0210

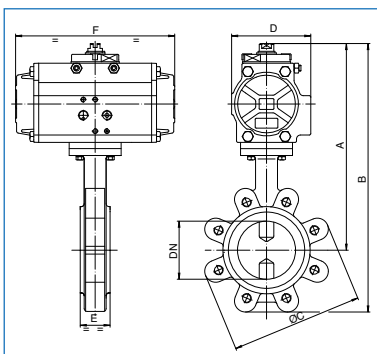
-  Valvola a farfalla tipo "LUG" PN16, corpo in ghisa GGG40 + vernice epossidica, disco AISI 316, guarnizione in VITON temperatura max di esercizio 150° C, con attuatore VITON.
-  Butterfly valve "LUG" type PN 16, GGG40 cast iron + epoxy painting, AISI 316 disc, VITON seat max operating temperature 150° C, with Viton seats actuator.



Art. 8P0209 VITON

VALVOLA CON ATTUATORE DOPPIO EFFETTO  
VALVE WITH DOUBLE ACTING ACTUATOR

DN	50		65		80		100		125		150		200		250		300	
PN	16	16	16	16	16	16	16	16	16	16	16	16	16	16	16	16	16	
A	243	255	270	302	313	339	394	450	572									
B	314	333	359	404	436	477	562	657	816									
ØC	165	185	200	220	250	285	340	405	460									
D	71	71	81	95	95	106	123	137	148									
E	43	46	46	52	56	56	60	68	78									
F	140	140	162	207	207	238	272	328	366									
ACT.	DA 52	DA 52	DA 63	DA 75	DA 75	DA 85	DA 100	DA 115	DA 125									
RI	3836	3836	3838	3839	3840	3841	3842	3865	3866									



Art. 8P0210 VITON

VALVOLA CON ATTUATORE SEMPLICE EFFETTO  
VALVE WITH SPRING RETURN ACTUATOR

DN	50		65		80		100		125		150		200		250		300	
PN	16	16	16	16	16	16	16	16	16	16	16	16	16	16	16	16	16	
A	254	266	296	312	337	350	448	492	532									
B	325	344	385	414	460	488	616	699	775									
ØC	165	185	200	220	250	285	340	405	460									
D	81	81	106	106	123	123	164	187	187									
E	43	46	46	52	56	56	60	68	78									
F	162	162	238	238	272	272	428	522	522									
ACT.	SR 63	SR 63	SR 85	SR 85	SR 100	SR 100	SR 140	SR 160	SR 160									
RI	3843	3843	3844	3840	3846	3847	3848	3867	3868									

## Art. 8P0165 - 8P0166

 Valvola a farfalla PVC, con attuatore.

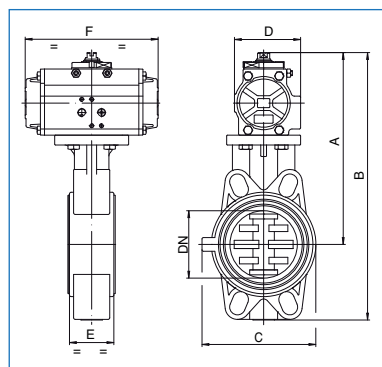
 PVC butterfly valve with actuator.



### Art. 8P0165

VALVOLA CON ATTUATORE DOPPIO EFFETTO  
VALVE WITH DOUBLE ACTING ACTUATOR

DN	40	50	65	80	100	125	150	200
PN	16	16	10	10	10	10	10	10
A	196	202	220	234	264	296	322	399
B	256	272	300	324	369	417	454	560
C	132	147	165	130	150	185	210	325
D	71	71	81	81	95	106	123	137
E	33	43	46	49	56	64	70	71
F	140	140	162	162	207	238	272	328
ACT.	DA 52	DA 52	DA 63	DA 63	DA 75	DA 85	DA 100	DA 115




### Art. 8P0166

VALVOLA CON ATTUATORE SEMPLICE EFFETTO  
VALVE WITH SPRING RETURN ACTUATOR

DN	40	50	65	80	100	125	150	200
PN	16	16	10	10	10	10	10	10
A	223	229	248	262	319	339	364	433
B	283	299	328	352	424	460	496	594
C	132	147	165	130	150	185	210	325
D	95	95	106	106	137	137	148	164
E	33	43	46	49	56	64	70	71
F	207	207	238	238	328	328	366	428
ACT.	SR 75	SR 75	SR 85	SR 85	SR 115	SR 115	SR 125	SR 140

## Art. 8P0211 - 8P0212

 Valvola a farfalla in ottone a passaggio totale [RB Art. 600000], filettatura F/F, con attuatore.

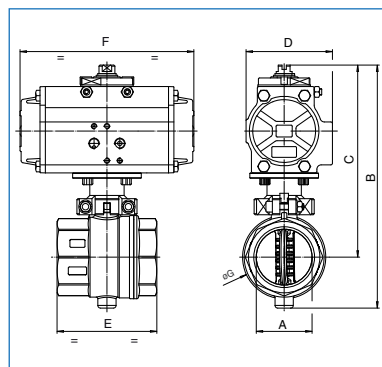
 Brass butterfly valve full port [RB Art. 600000], threaded F/F, with actuator.



### Art. 8P0211

VALVOLA CON ATTUATORE DOPPIO EFFETTO  
VALVE WITH DOUBLE ACTING ACTUATOR

PN	16	16	16	16	16	16	16	16
DN	1/2"	3/4"	1"	1 1/4"	1 1/2"	2"	2 1/2"	3"
A	144	151	158	189	200	227	264	303
B	124	128	131	155	159	180	201	228
C	45	45	45	71	71	81	81	95
D	49	56	64	76	82	93	112	130
E	110	110	110	140	140	162	162	207
F	31	38	46	56	66	78	102	122
ACT.	DA 32	DA 32	DA 32	DA 52	DA 52	DA 63	DA 63	DA 75
RI	3752	3752	3752	3825	3825	3208	3835	3826




### Art. 8P0212

VALVOLA CON ATTUATORE SEMPLICE EFFETTO  
VALVE WITH SPRING RETURN ACTUATOR

PN	16	16	16	16	16	16	16	16
DN	1/2"	3/4"	1"	1 1/4"	1 1/2"	2"	2 1/2"	3"
A	168	176	183	200	227	244	291	314
B	149	152	156	166	187	196	229	239
C	71	71	71	81	95	95	106	106
D	49	56	64	76	82	93	112	130
E	140	140	140	162	207	207	238	238
F	31	38	46	56	66	78	102	122
ACT.	SR 52	SR 52	SR 52	SR 63	SR 75	SR 75	SR 85	SR 85
RI	3827	3827	3827	3828	3833	3834	3826	3826

## Art. 8P0157 - 8P0158

 Valvola a farfalla per uso alimentare, in acciaio inox AISI 304L, attacchi DIN 11851 F/F, con attuatore.

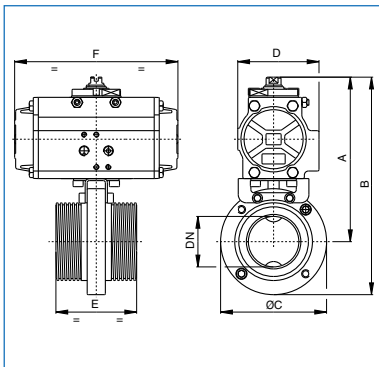
 Stainless steel AISI 304L butterfly valve for food industry, F/F DIN 11851 connections, with actuator.



Art. 8P0157

VALVOLA CON ATTUATORE DOPPIO EFFETTO  
VALVE WITH DOUBLE ACTING ACTUATOR

DN	PN	25	32	40	50	65	80	100
		6	6	6	6	6	6	6
A		113	143	145	162	188	207	219
B		153	185	191	214	251	275	297
ØC		79	85	92	105	125	137	157
D		45	71	71	81	95	106	106
E		68	76	76	80	82	84	88
F		110	140	140	162	207	238	238
ACT.		DA 32	DA 52	DA 52	DA 63	DA 75	DA 85	DA 85





Art. 8P0158

VALVOLA CON ATTUATORE SEMPLICE EFFETTO  
VALVE WITH SPRING RETURN ACTUATOR

DN	PN	25	32	40	50	65	80	100
		6	6	6	6	6	6	6
A		138	143	156	162	188	220	232
B		177	185	202	214	251	288	310
ØC		79	85	92	105	125	137	157
D		71	71	81	81	95	123	123
E		68	76	76	80	82	84	88
F		140	140	162	162	207	272	272
ACT.		SR 52	SR 52	SR 63	SR 63	SR 75	SR 100	SR 100

## Art. 8P0259 - 8P0260 NEW

 Valvola a farfalla attacchi CLAMP, in acciaio inox AISI 304 con attuatore.

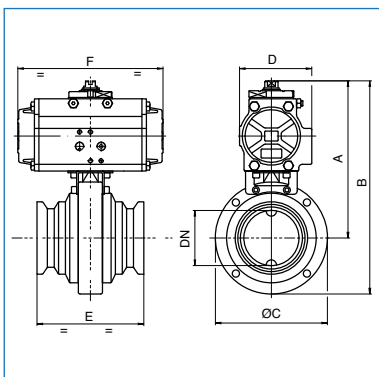
 Butterfly valve, CLAMP connections, stainless steel AISI 304 with actuator.



Art. 8P0259

VALVOLA CON ATTUATORE DOPPIO EFFETTO  
VALVE WITH DOUBLE ACTING ACTUATOR

DN	PN	15	25	38	51	63	76	101
		6	6	6	6	6	6	6
CLAMP		3/4"	1"	1 1/2"	2"	2 1/2"	3"	4"
A		113	113	145	162	188	207	219
B		153	153	188	214	245	275	297
ØC		79	79	85	105	113	137	157
D		45	45	71	81	95	106	106
E		68	68	76	80	82	84	88
F		110	110	140	162	207	238	238
ACT.		DA 32	DA 32	DA 52	DA 63	DA 75	DA 85	DA 85



Art. 8P0260

VALVOLA CON ATTUATORE SEMPLICE EFFETTO  
VALVE WITH SPRING RETURN ACTUATOR

DN	PN	15	25	38	51	63	76	101
		6	6	6	6	6	6	6
CLAMP		3/4"	1"	1 1/2"	2"	2 1/2"	3"	4"
A		138	138	156	162	188	220	232
B		177	177	199	214	245	288	310
ØC		79	79	85	105	113	137	157
D		71	71	81	81	95	123	123
E		68	68	76	80	82	84	88
F		140	140	162	162	207	272	272
ACT.		SR 52	SR 52	SR 63	SR 63	SR 75	SR 100	SR 100

## Art. 8P0261- 8P0262 **NEW**

 Valvola a farfalla ATTACCHI DIN A SALDARE, in acciaio inox AISI 304, con attuatore.

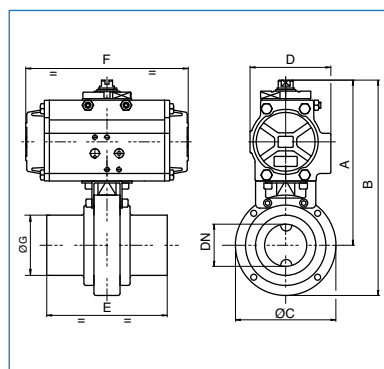
 Butterfly valve, DIN WELD CONNECTIONS, stainless steel AISI 304, with actuator.



**Art. 8P0261**

VALVOLA CON ATTUATORE DOPPIO EFFETTO  
 VALVE WITH DOUBLE ACTING ACTUATOR

DN	25	32	40	50	65	80	100
PN	6	6	6	6	6	6	6
A	113	143	145	162	188	207	219
B	153	185	191	214	251	275	297
ØC	79	85	92	105	125	137	157
D	45	71	71	81	95	106	106
E	68	76	76	80	82	84	88
F	110	140	140	162	207	238	238
ØG	28	34	40	52	70	85	104
ACT.	DA 32	DA 52	DA 52	DA 63	DA 75	DA 85	DA 85



**Art. 8P0262**

VALVOLA CON ATTUATORE SEMPLICE EFFETTO  
 VALVE WITH SPRING RETURN ACTUATOR

DN	25	32	40	50	65	80	100
PN	6	6	6	6	6	6	6
A	138	143	156	162	188	220	232
B	177	185	202	214	251	288	310
ØC	79	85	92	105	125	137	157
D	71	71	81	81	95	123	123
E	68	76	76	80	82	84	88
F	140	140	162	162	207	272	272
ØG	28	34	40	52	70	85	104
ACT.	SR 52	SR 52	SR 63	SR 63	SR 75	SR 100	SR 100