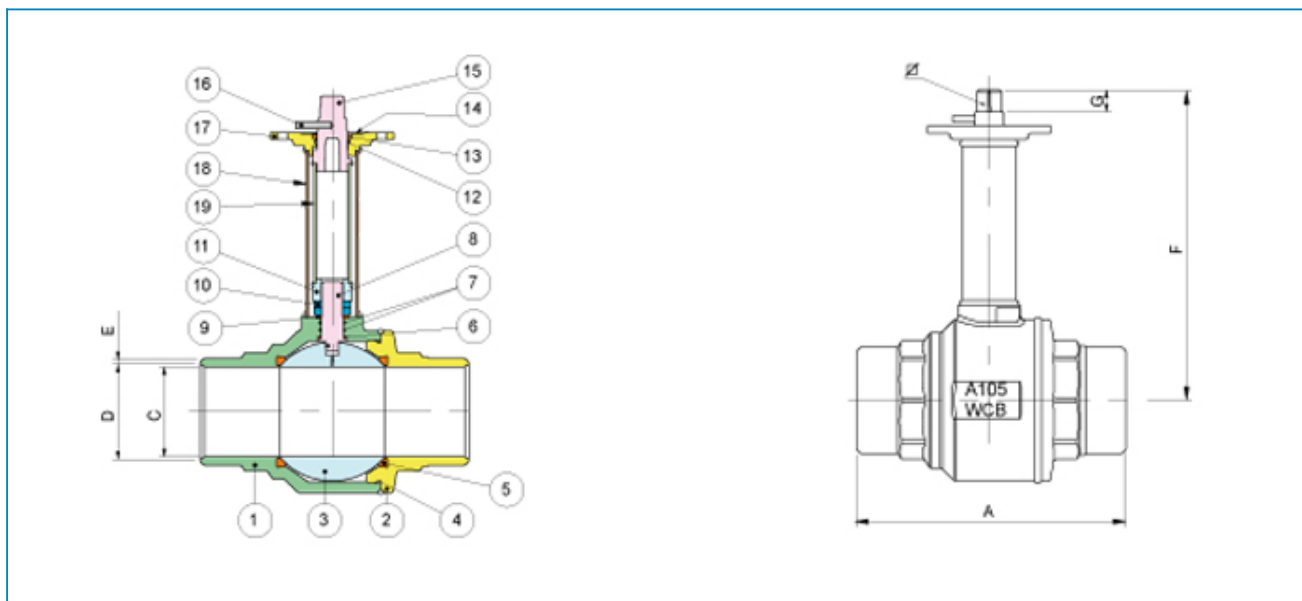




Serie **INTER-GAS**

Articolo **706600**

Fully welded ASTM A105/WCB full bore floating ball valve for natural gas, elongated stem for installation underground level, BW ends, with square for manual operator connector.



Limiti di temperatura: -10° +120° - Temperature range: -10° +120°

POS.	PART NAME	MATERIALE-MATERIALS MATERIAUX-WERKSTOFF- MATERIAL	N°P
1	BODY	ASTM A105-WCB	1
2	END CONNECTION	ASTM A105-WCB	1
3	BALL	A182-F304	1
4	O-RING	NBR	1
5	BALL SEAT	P.T.F.E.	2
6	SEAT	P.T.F.E.	1
7	RING	FKM (VITON®)	2
8	STEM	A182 - F304	1
9	PACKING GLAND	POM	1
10	NUT	CARBON STEEL	2
11	STEM TRASMISSION	ASTM A105	1
12	O-RING	FKM (VITON®)	1
13	SEAT	P.T.F.E.	1
14	LABEL	ALLUMINIO	1
15	OPERATION SQUARE	A216-WCB	1
16	OPEN/CLOSED INDICATION	CARBON STEEL	1
17	CAP	A216-WCB	1
18	EXTERNAL STEM EXTENSION	CARBON STEEL	1
19	INTERNAL STEM EXTENSION	CARBON STEEL	1

MISURA SIZE	DN	A	C	D	E	F	G		Kv	PN	Kg
1"	25	165	25	26,64	3,38		25	22 X 22	-	20	4,9
1"1/4	32	191	30	35,08	3,56		25	22 X 22	-	20	5,00
1"1/2	40	191	38	43,1	3,9		25	22 X 22	-	20	6,00
2"	50	216	50	54,5	4,3	400	25	22 X 22	-	20	8,00
2"1/2	65	241	64	69,3	4,35		25	22 X 22	-	20	14,00
3"	80	283	76	83,1	4,3	600	25	22 X 22	-	20	19,00
4"	100	305	102	107,9	4,8		25	22 X 22	-	20	26,00
5"	125	380	125	131,5	5,4	800	25	22 X 22	-	20	41,00
6"*	150	457	150	160	6		30	36 X 27	-	20	56,00
8"*	200	521	200	209,1	7,5		30	36 X 27	-	20	111,00

* Attacco per riduttore di manovra - Connection for gear operator