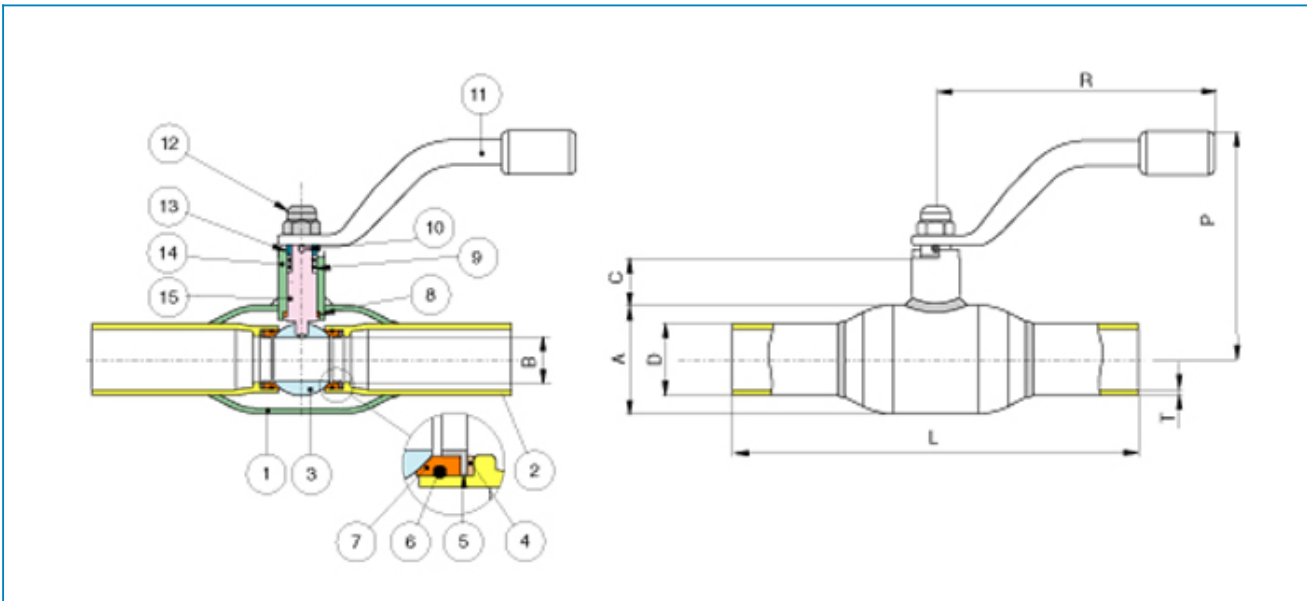




Serie **INTER..GAS**

Articolo **708000**

Fully welded steel ball valve, reduced bore, for natural gas transmission and distribution, BW ends, with handle.



Limiti di temperatura: -20°+ 80° - Temperature range: -20°+ 80°

POS.	PART NAME	MATERIALE-MATERIALS MATERIAUX-WERKSTOFF- MATERIAL	N°P
1	BODY	CARBON STEEL	1
2	END CONNECTION	CARBON STEEL	2
3	BALL	A182-F304	1
4	SPRING WASHER	CARBON STEEL	2
5	WASHER	CARBON STEEL	2
6	O-RING	NBR	2
7	BALL SEAT	P.T.F.E. + 25% CARBOGRAFITE	2
8	THRUST WASHER	P.T.F.E. + 25% CARBOGRAFITE	1
9	SEAT	P.T.F.E. + 25% CARBOGRAFITE	1
10	90° STOP	STAINLESS STEEL	1
11	HANDLE	CARBON STEEL	1
12	NUT	CARBON STEEL	1
13	PACKING GLAND	CARBON STEEL	1
14	O-RING	NBR	2
15	STEM	STAINLESS STEEL	1

MISURA SIZE	DN	A	B	L	C	D	T	R	P	Kv	PN	Kg
3/4"	20	42	15	230	17	26,9	2,3	140	85	6	40	0,80
1"	25	51	20	230	17	33,7	2,6	140	89	14	40	1,00
1 1/4"	32	57	25	260	17	42,4	2,6	140	93	26	40	1,40
1 1/2"	40	76	32	260	20	48,3	2,6	180	108	43	40	2,10
2"	50	89	40	300	20	60,3	2,9	180	114	64	40	3,00
2 1/2"	65	108	50	360	31	76,1	2,9	275	114	100	25	4,50
3"	80	127	65	370	31	88,9	3,2	275	124	160	25	6,00
4"	100	152	80	390	78	114,3	3,6	365	192	280	25	9,70

