

Pressure gauges

Mod. M043.. - M053.. - M063..

Precision classes CL1,6 and CL2,5

- » Radial connection
- » Rear connection
- » Panel mounting

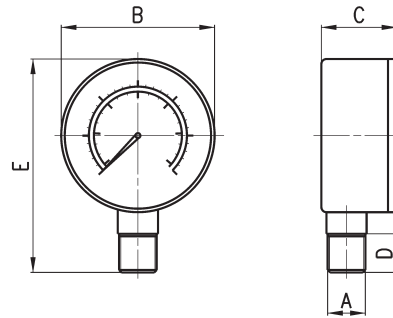


To select the most suitable pressure gauge, the measurement range should be chosen considering the type of application according to the following criteria:

1. Constant pressure or pressure with slow fluctuations should be within 75% of the maximum scale value.
2. Pulsing pressure or rapid fluctuations should be within 65% of the maximum scale value.
3. Pressure peaks should never exceed the maximum scale value.

Pressure gauges with radial connection

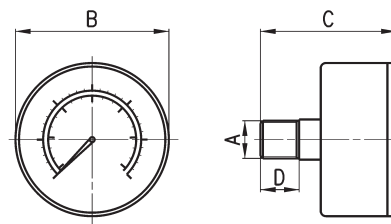
Precision class CL1,6 (mod. M063...)
 Precision class CL2,5 (mod. M043... and M053...)



DIMENSIONS						
Mod.	A	B	C	D	E	Range
M043-R06	R1/8	Ø 40,5	24,5	10	57	0-6 bar
M043-R12	R1/8	Ø 40,5	24,5	10	57	0-12 bar
M053-R12	R1/8	Ø 52,5	29	10	70	0-12 bar
M063-R12	R1/4	Ø 63	28	12	83	0-12 bar

Pressure gauges with rear connection

Precision class CL1,6 (mod. M063...)
 Precision class CL2,5 (mod. M043... and M053...)

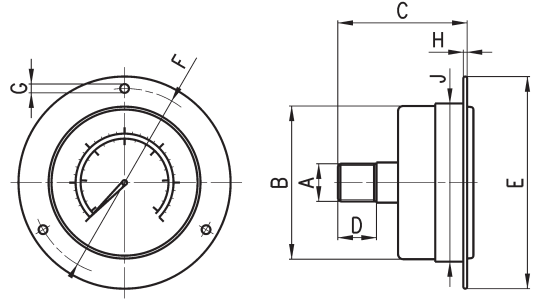


DIMENSIONS					
Mod.	A	B	C	D	Range
M043-P04	R1/8	Ø 40	39,5	10	0-4 bar
M043-P06	R1/8	Ø 40	39,5	10	0-6 bar
M043-P10	R1/8	Ø 40	39,5	10	0-10 bar
M043-P12	R1/8	Ø 40	39,5	10	0-12 bar
M053-P04	R1/8	Ø 53	45	10	0-4 bar
M053-P06	R1/8	Ø 53	45	10	0-6 bar
M053-P10	R1/8	Ø 53	45	10	0-10 bar
M053-P12	R1/8	Ø 53	45	10	0-12 bar
M063-P04	R1/4	Ø 62,5	45,5	12	0-4 bar
M063-P06	R1/4	Ø 62,5	45,5	12	0-6 bar
M063-P12	R1/4	Ø 62,5	45,5	12	0-12 bar

Pressure gauges for panel mounting

Precision class CL1,6 (mod. M063...)

Precision class CL2,5 (mod. M043... and M053...)



DIMENSIONS

Mod.	A	B	C	D	E	F	G	H	J	Range
M043-F04	R1/8	Ø 41	38	10	Ø 60,5	53	Ø 3,5	1,2	42,5	0-4 bar
M043-F06	R1/8	Ø 41	38	10	Ø 60,5	53	Ø 3,5	1,2	42,5	0-6 bar
M043-F10	R1/8	Ø 41	38	10	Ø 60,5	53	Ø 3,5	1,2	42,5	0-10 bar
M043-F12	R1/8	Ø 41	38	10	Ø 60,5	53	Ø 3,5	1,2	42,5	0-12 bar
M063-F12	R1/4	Ø 62	43	12	Ø 84	74,5	Ø 3,5	1,2	63,5	0-12 bar