

gas charging valve 1620
ISO 228-G1/4, type F

HYDROTECHNIK GmbH
Holzheimer Str. 94-96
D - 65549 Limburg
Tel. : 06431-4004-0
Telefax : 06431-45308

max working pressure: 630 bar
nominal width: 2
sealing: Viton (low temperature)
temperature range: -46°C bis +135°C

material of screw cap: brass (black coloured)
screw cap thread: M16x2
(vibration lock is integrated)
O-Ring order-no.: 7101-26-04.11)

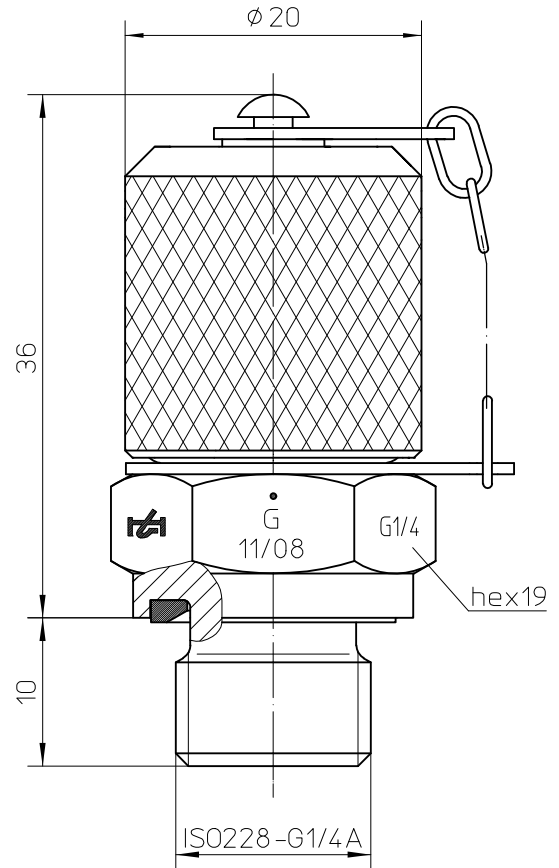
produced for screw-in hole
according to DIN 3852 form X

case of application:
inert gases (nitrogene and compressed air)
consistent against:
antifreeze, anti-corrosive oil, oils,
grease and fuels

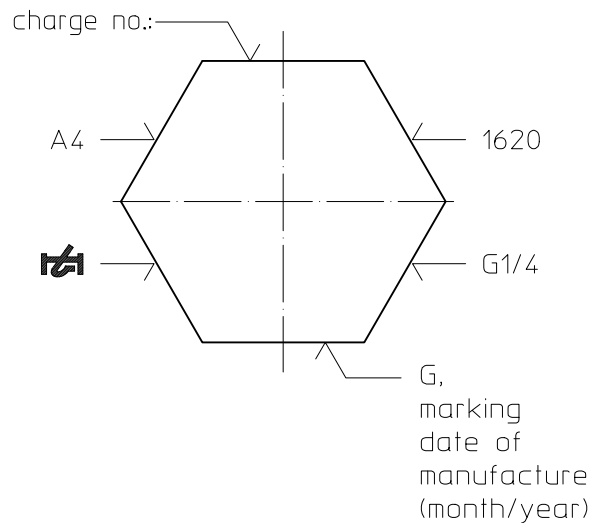
allowed temperature range to couple
-17°C bis +80°C.

screw cap compl. order no.: 2403-29-10.40

test condition about:
Tk 4820-034 Ausgabe 08.01
documented with inspection certificate
B DIN 50049-3.1B
factory certificate DIN 50049-2.2



identification at the hexagon



order no.: 2403-01-18.30

Nur zur Information

CAD