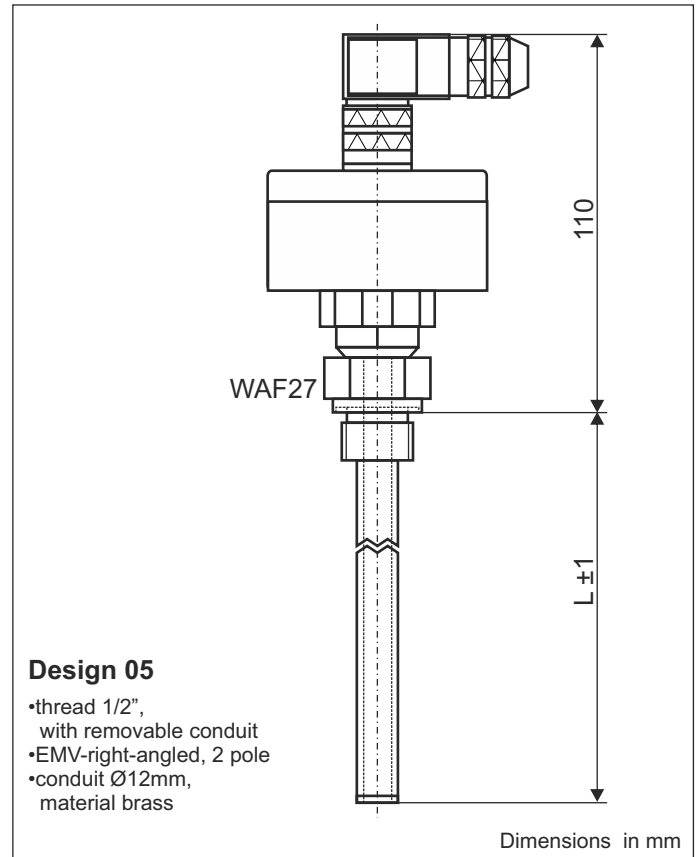
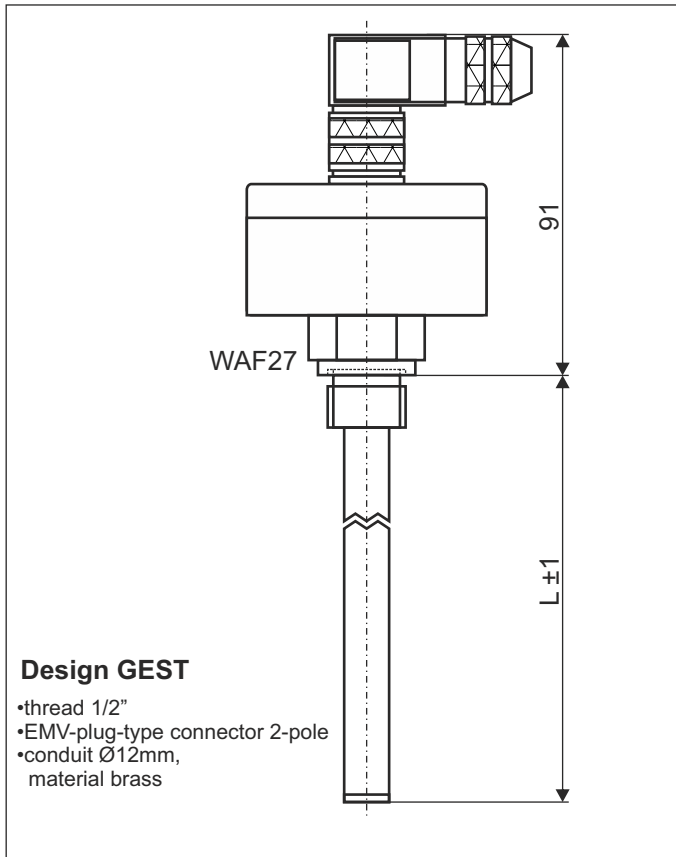


Data sheet

Temperature sensor with integrated measuring transducer in 4 ... 20mA

Type: PT100-6L...



Order key

Type PT100-6L

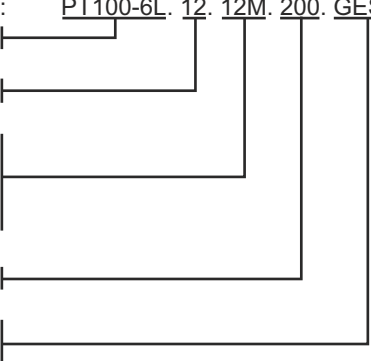
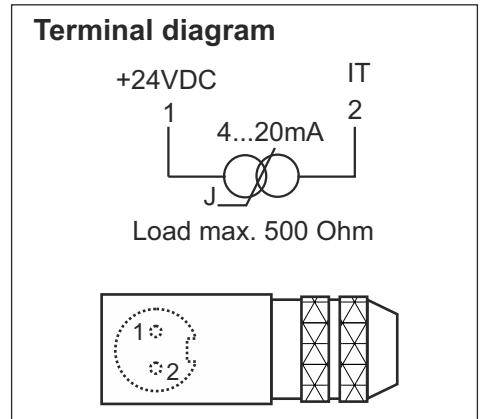
Mounting: 12 = 1/2", 14 = 1/4", 38 = 3/8"

Conduit: 06 = Ø 6mm, 08 = Ø 8mm, 10 = Ø 10mm, 12 = Ø 12mm
material: M = brass, E = stainless steel

Conduit length in mm

Design: GEST
05

Example: PT100-6L. 12. 12M. 200. GEST

Technical data

Connection:	EMV-right angled connector 2-pole, material brass nickel plated
Mounting:	thread 1/2", 1/4", 3/8", with profile seal, material alu
Conduit:	Ø6mm, Ø8mm, Ø10mm, Ø12mm, length L±1mm according to specification, material brass or stainless steel
Sensor:	platinum-measuring resistor PT100 acc. DIN EN 60751 (DIN 43760)
Output:	4 ... 20mA at 0°C to 100°C
Load:	max. 500 Ohm
Linearity:	0,35% at 0°C to 100°C
Precision:	±0,6%
Supply voltage:	24VDC ±15%, reverse polarity protected
Pressure:	max. 1 bar
Operating temperature:	-20°C to 100°C in medium, -20°C to 70°C above mounting
Protection rating:	IP 65