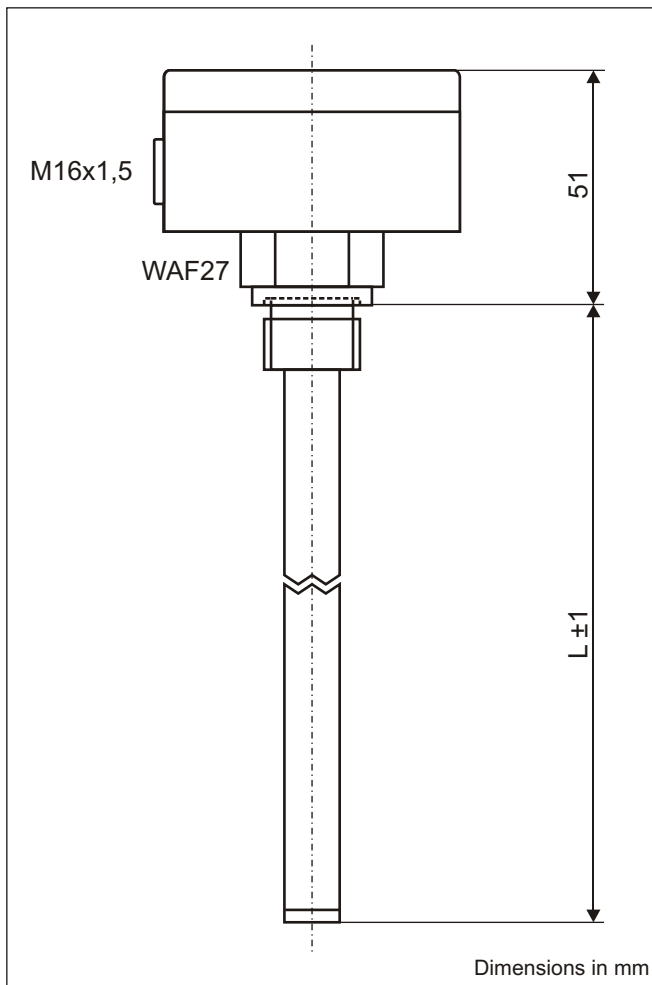


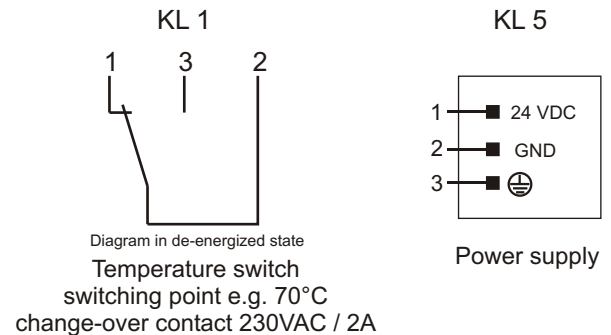
Data sheet

Electronic temperature switch

Type: STB-2...02...



Terminal diagram



Order key

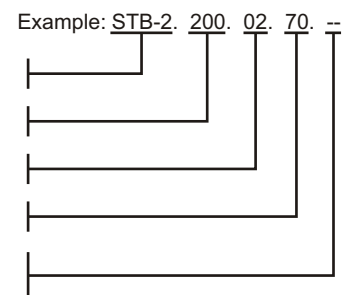
Type STB-2

Conduit length L in mm

02 - design

Upper temperature switching point T in °C

Hysteresis HY in °C
for standard (3°C) no specification



Technical data

Connection:	terminal connection in the housing 64x58x35mm wxdxh, drilling for M16x1,5 screwed cable gland
Mounting:	thread 1/2", material alu
Seal:	material NBR, profile seal
Tube:	∅12mm, length L ±1mm acc. to specification, material brass
Temperature switching point:	1x relay change-over contact, switching point acc. to specification fixed setting
Switching capacity:	230VAC / 2A
Temperature measurement:	at the bottom of the tube
Relay switching function:	relay is actuated when temperature T > limiting value relay is released when temperature T < limiting value or device fault
Temperature measuring range:	-20°C to 100°C
Temperature measuring accuracy:	±5% at -20°C to 100°C
Temperature hysteresis:	3°C fixed setting, other on request
Supply voltage:	24VDC ±10%, reverse polarity protected
Operating current:	<25mA
Pressure:	max. 1 bar
Operating temperature:	-20°C to 100°C in medium; -20°C to 70°C above mounting
Protection rating:	IP 65