

Passion for quality, excellence in motion.

After-sales-service around the world

America

USA Division: J-STAR Motion Corporation

Add: 500 West Street, Cedar Springs, MI 49319

Tel: 616-952-0630

E-mail: john@jiecang.com

Web: www.jstarmotion.com www.jiecang-usa.com

Germany

German Division: JIECANG Europe GmbH

Add: Emanuel-leutze-straße 11, 40547 Düsseldorf, Germany

Tel: 0211-56677116

Fax: 0211-56677113

E-mail: sales02@jiecang.com

Web: www.jiecang.com

Japan

Japan Division: J-STAR Co., Ltd.

Add: 1-17-4, Nishisinbashi, Minatoku, Tokyo, 105-0003, Japan

Tel: 03-6206-6856

Fax: 03-6206-6857

E-mail: jstar@jiecang.co.jp

Web: www.jstar.co.jp

ZHEJIANG JIECANG LINEAR MOTION TECHNOLOGY CO.,LTD

contact us

Tel: +86-575-86297980

Fax: +86-575-86297960

Post code: 312500

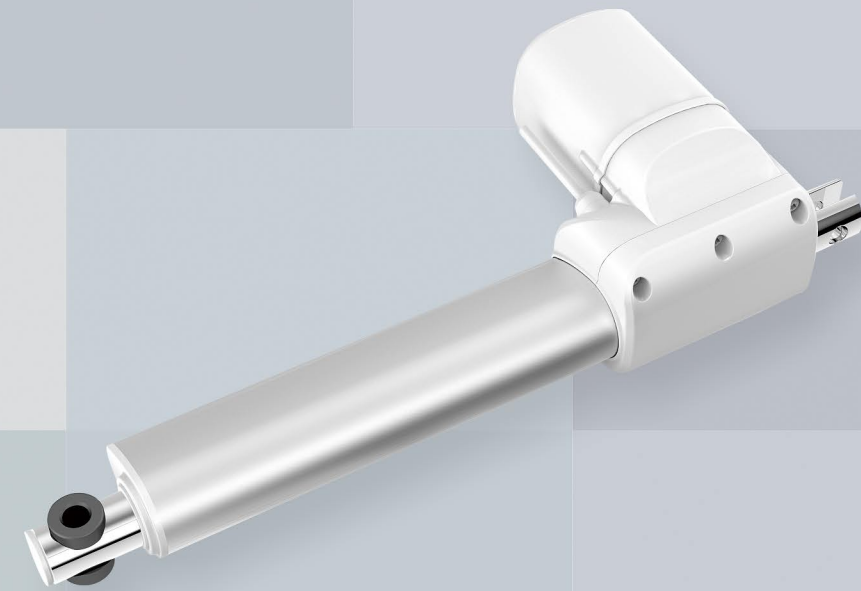
Web: www.jiecang.com

Addr: Provincial High Tech Park, Xinchang County, Zhejiang, China



www.jiecang.com

JIECANG LINEAR MOTION



 **JIECANG**
LINEAR MOTION

OVERVIEW

Zhejiang Jiecang Linear Motion Technology Co.,Ltd, founded in 2000, has become a professional high-tech national enterprise specialized in developing, manufacturing and marketing for intelligent linear drive control system after more than ten years of development. Currently, Jiecang has formed with three industrial line comprises linear actuator, lifting column, control box and etc. The JC35 series of actuator has become a well-known accessories band in medical care, home care, and furniture.

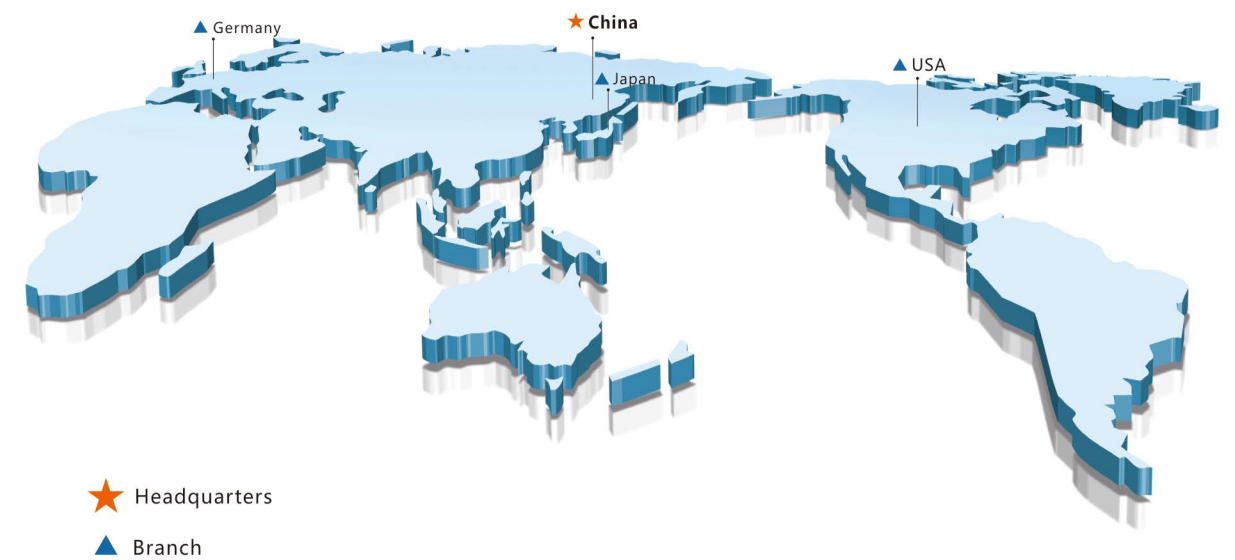
The factory covers an area of 154000 square meters, and besides, with actuator production line, electrical appliance, metalworking line and plastic processing line. Jiecang imports advanced injection molding machine, metalworking machine as well as electronic processing equipment, that assure the ability of magnificent production.

Jiecang pays attention to the investment of quality control and testing equipment, and has complete parts testing equipment, soundproofing room, push-pull testing equipment and life testing equipment; guarantees incoming parts and production process parts; factory products undergo noise test and rated load test; The newly developed product undergoes a complete life test.



OVERVIEW

Jiecang has setup a Global distribution network, providing their customers with regional support worldwide



APPROVED BY AUTHORITATIVE CERTIFICATION INSTITUTIONS



ISO9001:2008

ISO14001:2004

OVERVIEW

Jiecang products apply to different system



Medical bed system

Homecare bed system

3-column bed with scale function

Patient lift system

Operation table system

ADVANTAGE



Professionally and Efficiently Customized Products

No matter adjusting actuator specifications for your applications or developing software with special function, even customizing panel of hand control, JIECANG is the best manufacturer of linear actuator systems. Based on strong research and development resources, JIECANG provides the products customers need according to different requirements. Even more important, JIECANG needs on average only ten days to develop product system that helps you gain market entry.



Strictly Conform to Medical Safety Standards

Most of our medical products conform to the safety standards required by medical industry. We devote ourselves to conforming to EMC standards for domestic medical devices and guaranteeing customer's products to successfully pass all the official tests. Our export products conform to the standards of most countries, such as UL, CE, KC, RoHS and PSE.



Independently Developed Communication Protocol

For different applications, JIECANG has developed relevant communication protocols that make the signal communication between products more smooth. Among the protocols, JC-Bus is especially developed for medical applications. With this protocol, the signal communication between relevant accessories and control boxes is more smooth and customer can make the control systems achieve more extended function design.



Bluetooth Control System Used in Smartphone

No matter operating IOS or android system, more and more mobile phones can be used as remote controls, especially in home care applications. As the leader of market, JIECANG provides customer with better options.



Import and Application of Wireless Communication Technology

In home care applications, wireless communication is regarded as the key technology that can assist caregivers to remotely controlled medical devices efficiently. Taking advantage of high-frequency wireless system (2.4GRF), we have designed remote JCHR35F that can avoid redundant circuit interference when matching our RF signal receiver



Weighing System with Latest Technology

JIECANG weighing system is specially designed for medical beds and long-term care beds. JIECANG LCD nurse control JCHN35H is equipped with our latest SQB weighing sensor that helps customers purchase easily. Customers can easily install the weighing system on each different bedsteads not requiring additional debugging.

CONTENT

LINEAR ACTUATORS



JC35A	001
JC35B	003
JC35B5-QH	005
JC35C	007
JC35D	009
JC35D3	011
JC35D4	013
JC35DN	015
JC35DN-F	017
JC35DS	019
JC35DH	021
JC35K1	023
JC35L3	025

DUAL MOTOR



JC35S10	051
---------	-----

BATH LIFT



JC35M3	053
--------	-----

COLUMNS



JC35EG	055
JC35EM-2	057
JC35EM-3	059
JC35EN-2	061
JC35EN-3A	063

JC35L6	027
JC35L9	029
JC35L10	031
JC35L	033
JC35M4	035
JC35N	037
JC35N1	039
JC35W1	041
JC35W2	043
JC35W3	045
JC35W5	047
JC35Z	049

JC35ER-2	065
JC35ER-3	067
JC35ES-2	069
JC35ES-3	071

CONTROL BOXES



JCR35 / JCB1	073
JCB35Q / JCB35T	074
JCB35R	075
JCB35R1	076
JCB35K2-A	077
JCB35K2-B	079
JCB35K3	081
JCB35N2	083
JCB35S	084

HAND/FOOT CONTROLLERS



JCHQ35 / JCH35V2	085
JCH35A2 / JCH35A4	086
JCH35A6	087
JCH35A7	088
JCH35A8	089
JCH35A9	090
JCH35A10	091
JCHT35K	092
JCHT35L	093
JCHR35C	094
JCHR35F	095
JCF35 / JCF35	096
JCFN35	097
JCHN35E	098
JCHN35E1	099
JCHN35F	100
JCHN35H	101
JCHN35H1	102

ACCESSORIES



JCP35H02	103
JCP35H03	104
JCP35H05	105
JCP35I / JCP35J01	106
JCP35PA-40 / JCP35PA-50 / JCP35PA-50B / JCP35PA-100	107
JCP35PA-B	108
JCP35E1-LED / JCP35C	109
JCP35Q / JCP35Q1	110
JCP35S / PLUGS	111

ADDITIONAL INFORMATION

	112
--	-----

CONTENT

LINEAR ACTUATORS

JC35A

FEATURES

- Compact design for saving the space
- Up to 3000N load capacity and IP54
- No limit switch at 2 ends



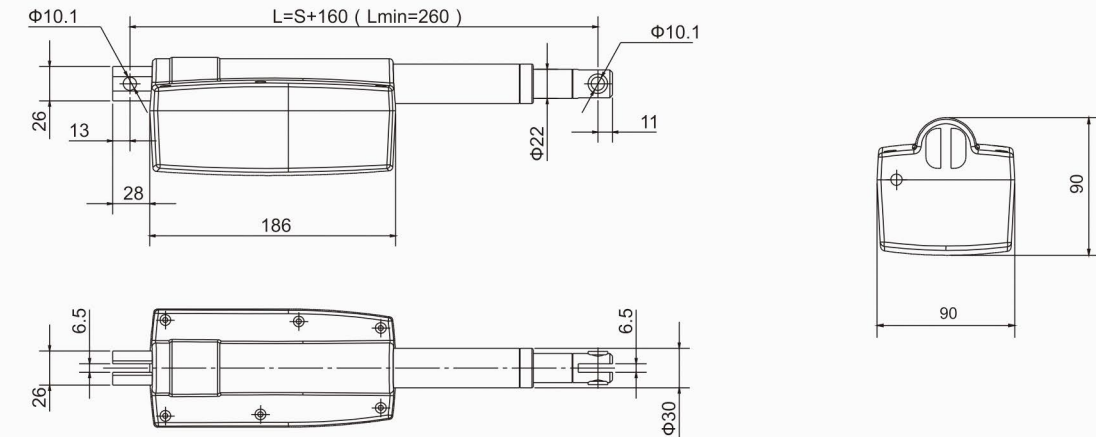
SPECIFICATIONS

Dynamic Load Push (N)		3000	1500
Dynamic Load Pull (N)		2000	1500
Static Load push* (N)		3000	1500
Static Load pull* (N)		2000	1500
Input (VDC)		24	
Speed at Full Load (mm/s)		5	9
Stroke Length (mm)		100~400 (option >400)	
Mounting position		V type	
Color		Black or Grey	
Limit Switch		No limit switch	
Overload Protection		Yes	
Duty Cycle		10%, max 2min. continuous use	
IP Grade		IP54	
Operating Temperature		+5°C ~ +40°C	
Standard		CE	

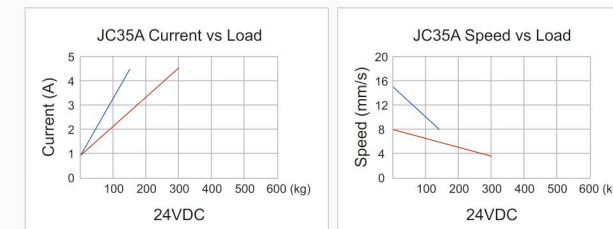
* The values apply when appropriate Jiecang Control Box is used, which short-circuits the motor during stop
Overload protection is set in jiecang's own control box

LINEAR ACTUATORS

DIMENSIONS

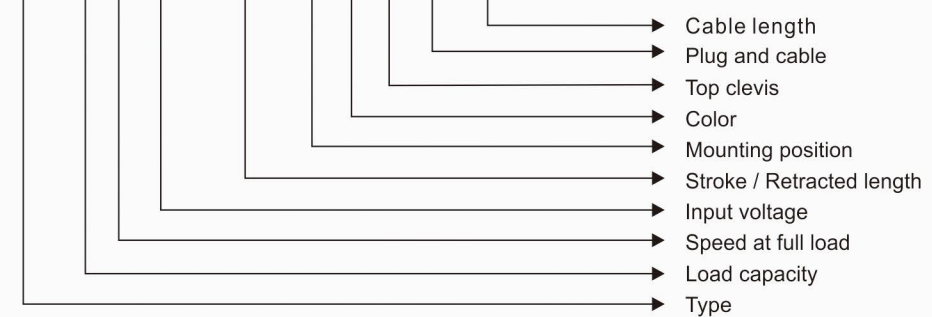


PERFORMANCE



ORDER KEY EXAMPLE

JC35A - 3 - 5 - 24 - 150/310 - V - B - D - 00 - 2D0



LINEAR ACTUATORS

JC35B

FEATURES

- Quiet and powerful design
- Have EN60601/UL certificate



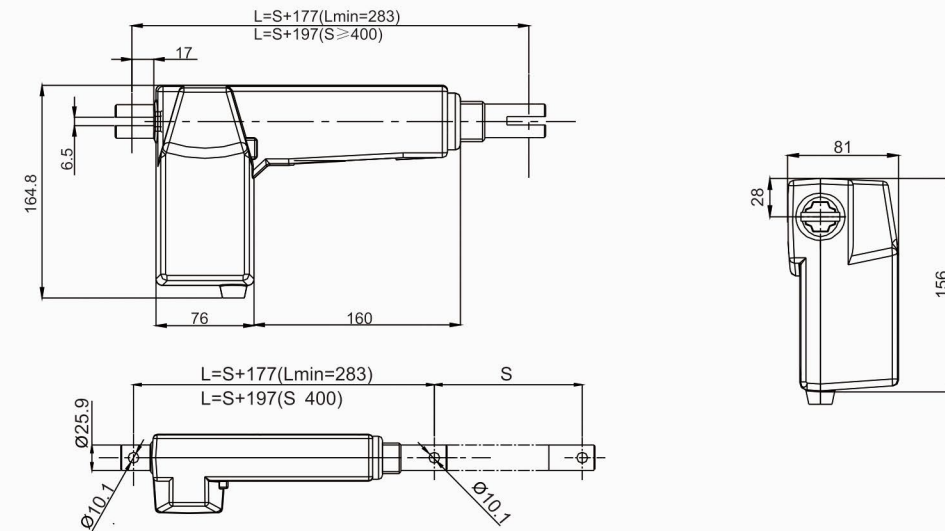
SPECIFICATIONS

Dynamic Load Push (N)	6000	4000	2000	1000
Dynamic Load Pull (N)	4000	4000	2000	1000
Static Load push* (N)	6000	4000	2000	1000
Static Load pull* (N)	4000	4000	2000	1000
Input (VDC)	24			
Speed at Full Load (mm/s)	3	4	8	12
Stroke Length (mm)	100~400 (option >400)			
Mounting position	H or V type			
Color	Black or grey			
Limit Switch	Built-in			
Overload Protection	Yes			
Duty Cycle	10%, max 2min. continuous operation			
IP Grade	IP54			
Operating Temperature	+5°C~+40°C			
Optional features	Reed switch option			
	Only push option			
	Safety nut option			
Standard	CE / EN60601 / UL60601			

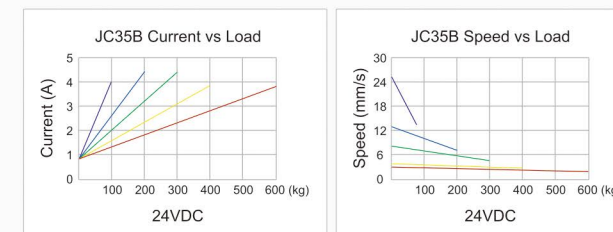
* The values apply when appropriate Jiecang Control Box is used, which short-circuits the motor during stop
Overload protection is set in jiecang's own control box

LINEAR ACTUATORS

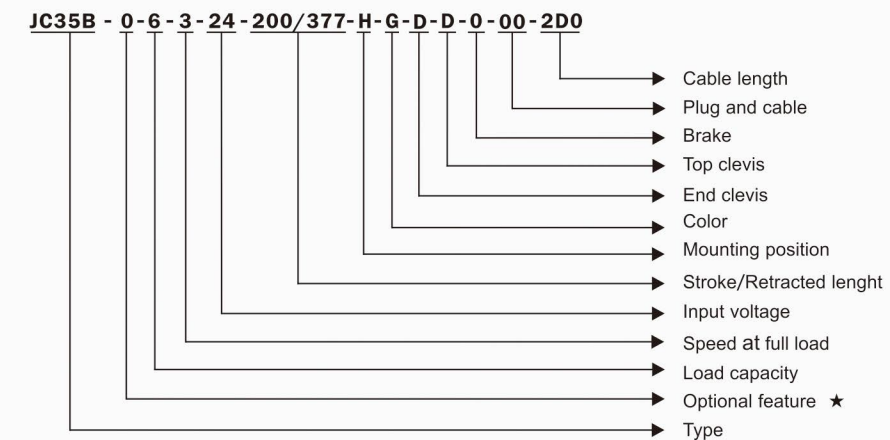
DIMENSIONS



PERFORMANCE



ORDER KEY EXAMPLE



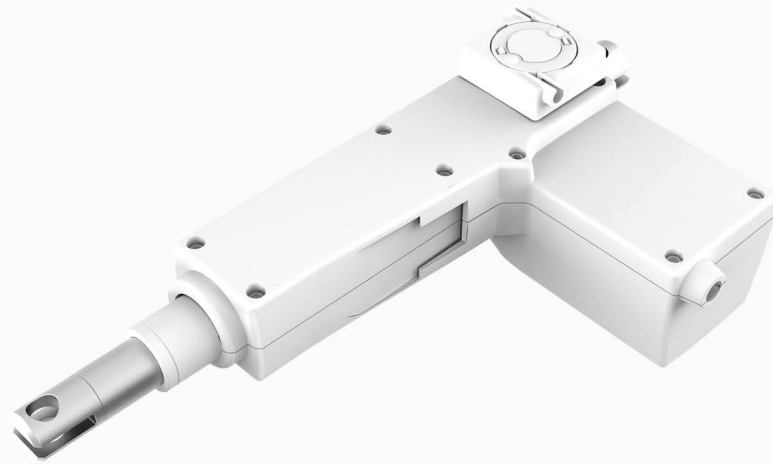
- ★
- 0 Standard
- R Reed switch
- P Only push no pull

LINEAR ACTUATORS

JC35B5-QH

FEATURES

- Quiet and powerful design
- Quick release function
- Have EN60601/UL certificate



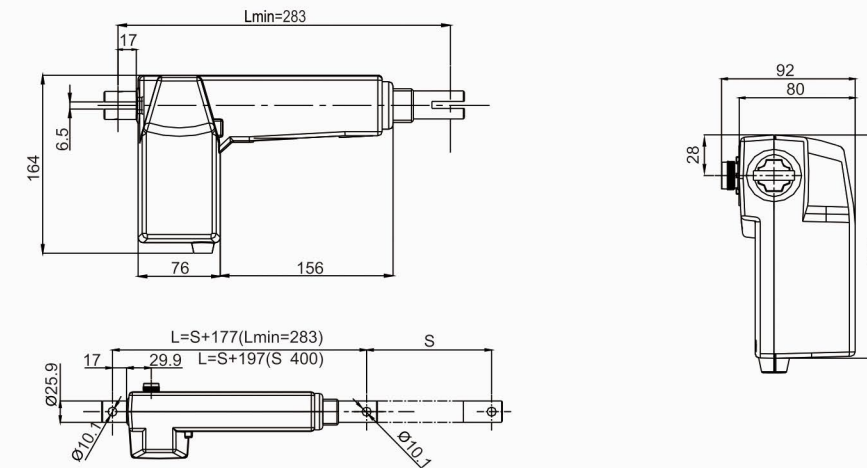
SPECIFICATIONS

Dynamic Load Push (N)		3000	2000
Dynamic Load Pull (N)		2500	1500
Static Load push* (N)		3000	2000
Static Load pull* (N)		2500	1500
Input (VDC)		24	
Speed at Full Load (mm/s)		5	6
Stroke Length (mm)		100~400 (option >400)	
Mounting position		H or V type	
Color		Black or grey	
Limit Switch		Built-in	
Overload Protection		Yes	
Duty Cycle		10%, max 2min. continuous operation	
IP Grade		IP54	
Operating Temperature		+5°C~+40°C	
Standard		CE / EN60601 / UL60601	

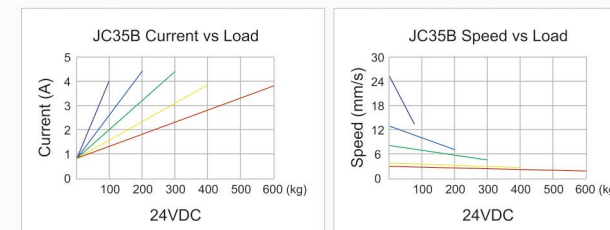
* The values apply when appropriate Jiecang Control Box is used, which short-circuits the motor during stop
Overload protection is set in jiecang's own control box

LINEAR ACTUATORS

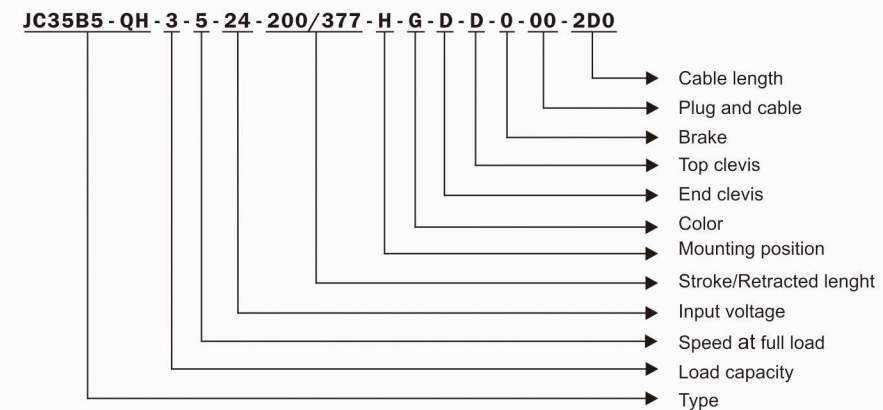
DIMENSIONS



PERFORMANCE



ORDER KEY EXAMPLE



LINEAR ACTUATORS

JC35C

FEATURES

- Quiet and powerful design
- Up to 8000N load capacity
- Idea for homecare and medical market and IP54



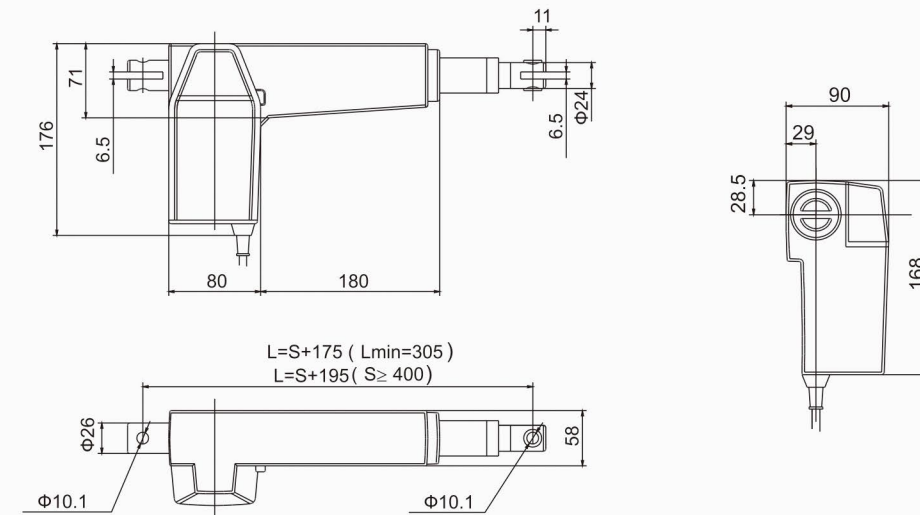
SPECIFICATIONS

Dynamic Load Push (N)	8000	6000
Dynamic Load Pull (N)	6000	6000
Static Load push* (N)	8000	6000
Static Load pull* (N)	6000	6000
Input (VDC)	24	
Speed at Full Load (mm/s)	3	5
Stroke Length (mm)	100~400 (option >400)	
Mounting position	H or V type	
Color	Black or grey	
Limit Switch	Built-in	
Overload Protection	Yes	
Duty Cycle	10%, max 2min. continuous operation	
IP Grade	IP54	
Operating Temperature	+5°C ~ +40°C	
Optional features	Reed switch option	
Standard	CE / UL	

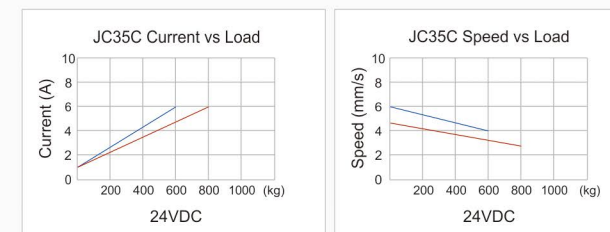
* The values apply when appropriate Jiecang Control Box is used, which short-circuits the motor during stop
Overload protection is set in jiecang's own control box

LINEAR ACTUATORS

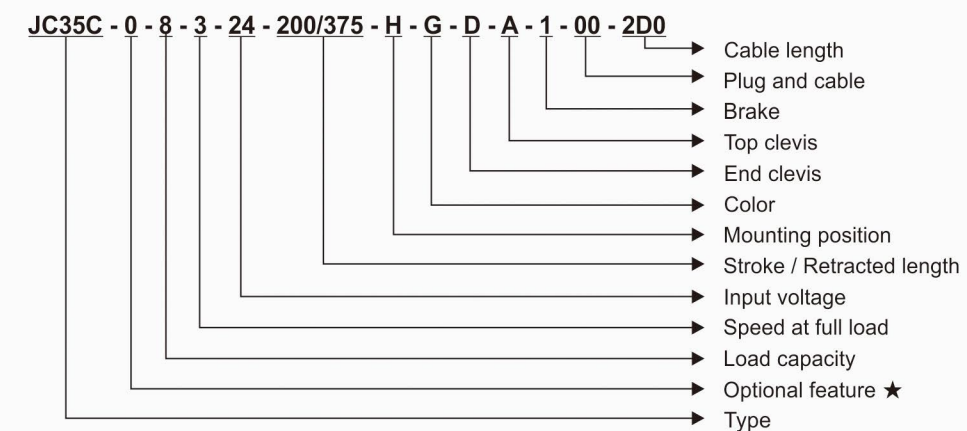
DIMENSIONS



PERFORMANCE



ORDER KEY EXAMPLE



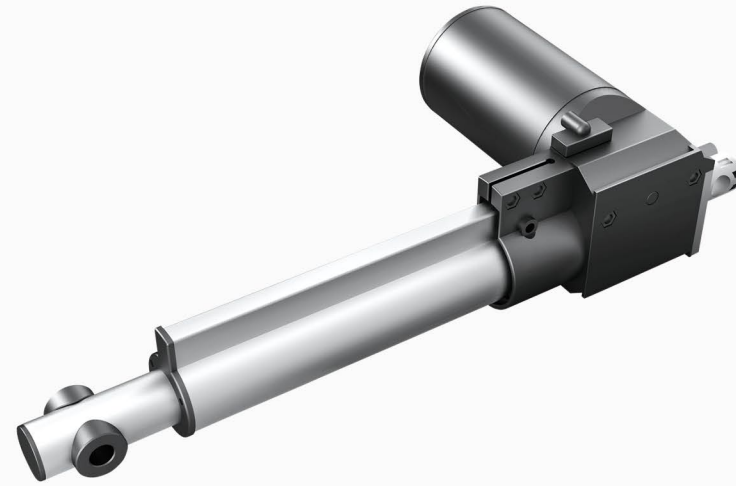
★
0 Standard
R Reed switch

LINEAR ACTUATORS

JC35D

FEATURES

- Basic and economic design
- Up to 6000N load capacity
- Direct mounting on Control Box possibility



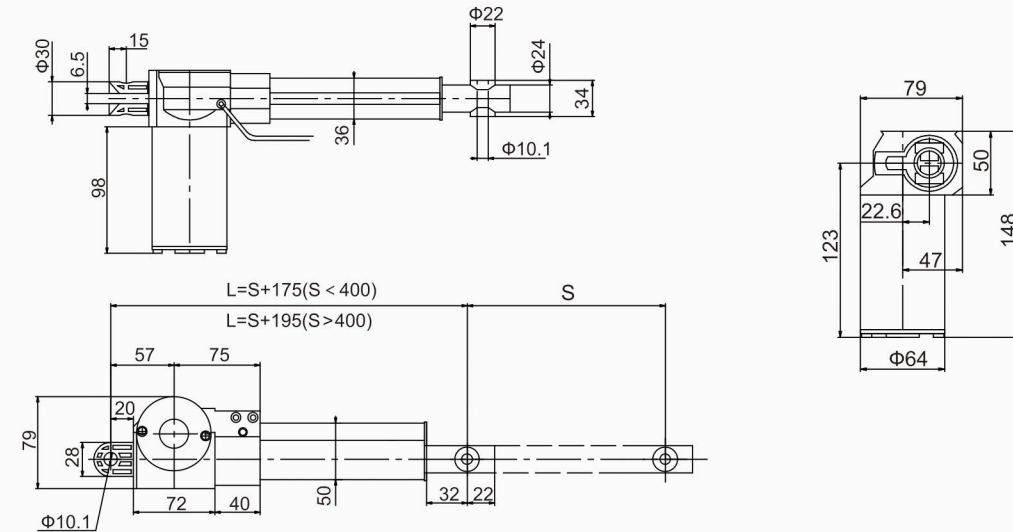
SPECIFICATIONS

Dynamic Load Push (N)	6000	4000	3000	2000	1000	750
Dynamic Load Pull (N)	4000	4000	3000	2000	1000	750
Static Load push* (N)	6000	4000	3000	2000	1000	750
Static Load pull* (N)	4000	4000	3000	2000	1000	750
Input (VDC)	24/12					
Speed at Full Load (mm/s)	3	4	6	9	20	25
Stroke Length (mm)	100~400mm (option >400mm)					
Mounting position	H type, V type and 45 degree type					
Colour	Black or Grey					
Limit Switch	Build-in					
Overload Protection	Yes					
Duty Cycle	10%, max 2min. continuous use					
IP Grade	IP43					
Operating Temperature	+5°C ~ +40°C					
Optional Features	Hall sensor option					
	Reed switch option					
	Only push option					
	Relay free option					
Standard	CE / UL60601					

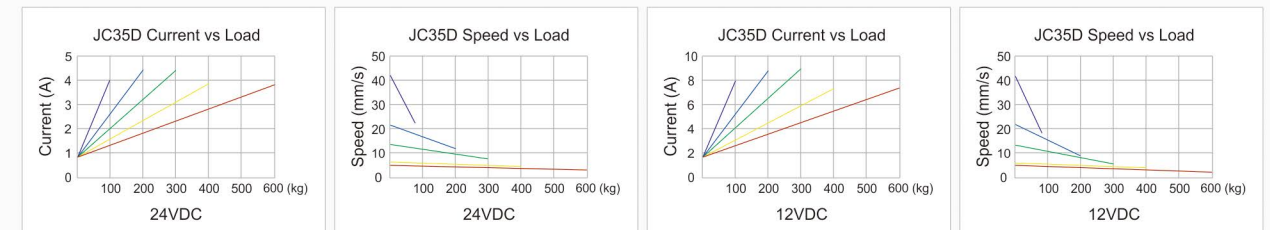
* The values apply when appropriate Jiecang Control Box is used, which short-circuits the motor during stop
Overload protection is set in jiecang's own control box

LINEAR ACTUATORS

DIMENSIONS

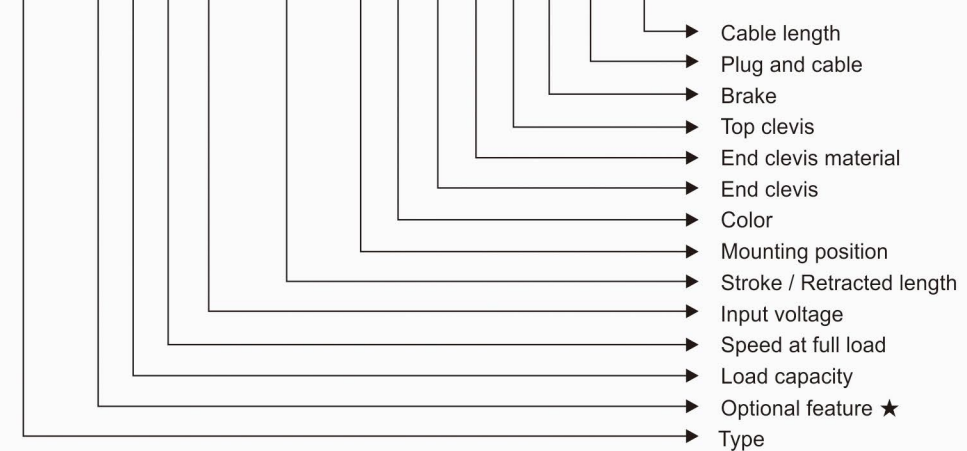


PERFORMANCE



ORDER KEY EXAMPLE

JC35D - Y - 6 - 3 - 24 - 100/275 - V - G - D - Z - K - 0 - 10 - 2D0



- ★ Standard
- 0 Standard
- Y Hall sensor
- R Reed switch
- P Only push no pull

LINEAR ACTUATORS

JC35D3

FEATURES

- Basic and economic design
- Small dimension



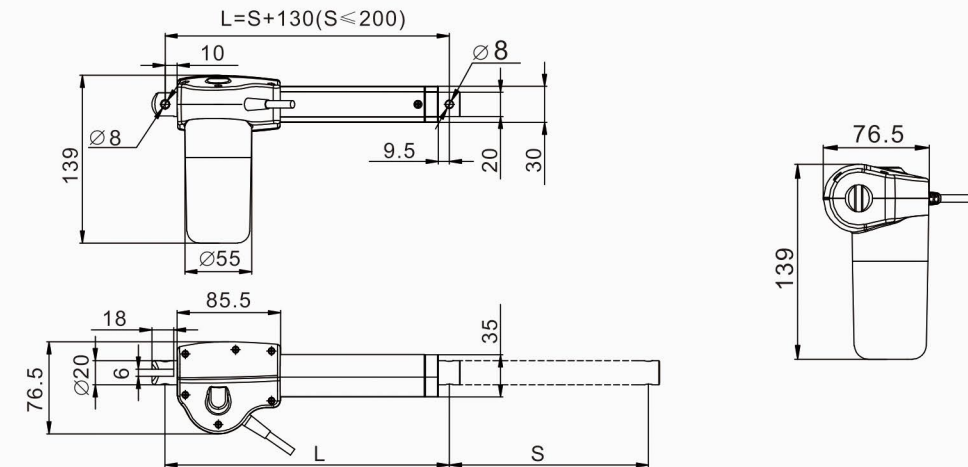
SPECIFICATIONS

Dynamic Load Push (N)		3000	2000	1000		
Dynamic Load Pull (N)		2000	2000	1000		
Static Load Push * (N)		3000	2000	1000		
Static Load Pull * (N)		2000	2000	1000		
Input (VDC)		24				
Speed Type		Standard speed	High speed	Standard speed	High speed	Standard speed
Speed at Full Load (mm/s)		2.5	4.5	4.5	8.5	7.5
Stroke Length (mm)		≤200mm (option>200)				
Mounting Position		H type, V type				
Colour		Black or Grey				
Limit Switch		Build-in				
Overload Protection		Yes				
Duty Cycle		10%, max 2min. continuous use				
IP Grade		IP54				
Operating Temperature		5°C ~ +40°C				
Standard		CE				

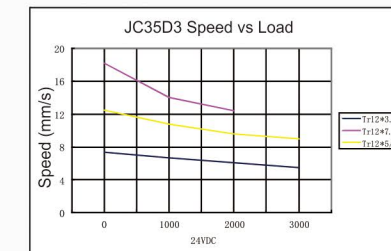
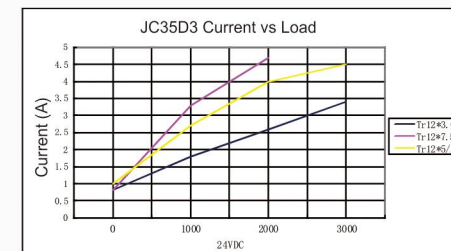
* The values apply when appropriate Jiechang Control Box is used, which short-circuits the motor during stop. Overload protection is set in jiechang's own control box

LINEAR ACTUATORS

DIMENSIONS

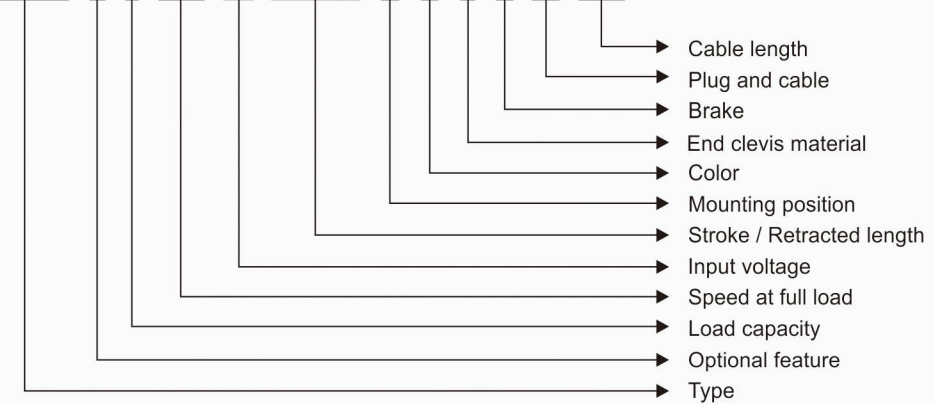


PERFORMANCE



ORDER KEY EXAMPLE

JC35D3 - 0 - 3 - 2D5 - 24 - 200/330 - H - G - Z - 0 - 00 - 2D0



LINEAR ACTUATORS

JC35D4

FEATURES

- Basic and economic design
- Up to 6000N load capacity
- Safety Nut as Standard
- Apply to all kinds of adjustable beds

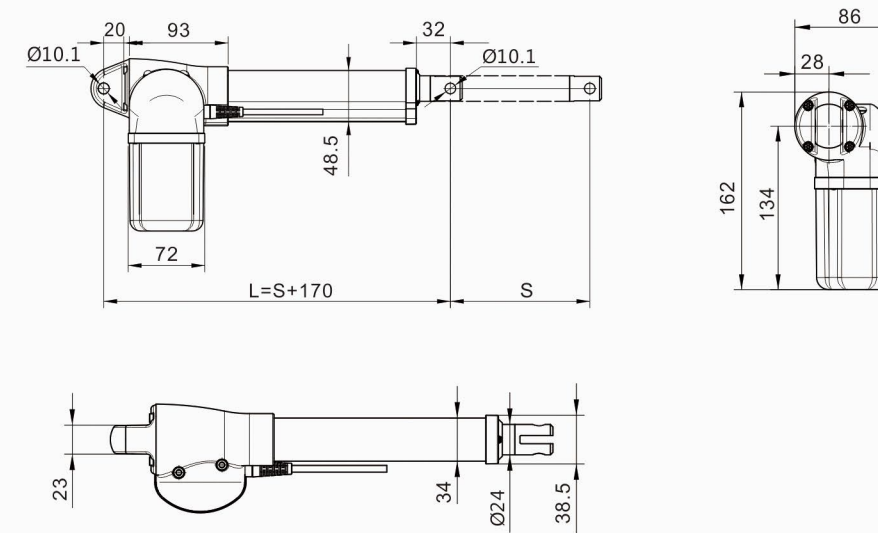


SPECIFICATIONS

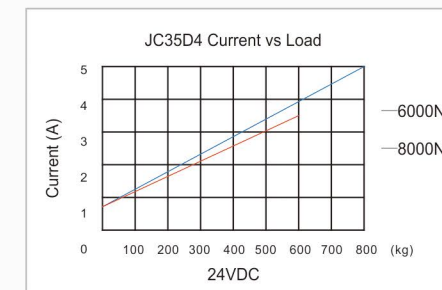
Dynamic Load Push (N)	6000
Dynamic Load Pull (N)	4000
Input (VDC)	24
Speed at Full Load (mm/s)	3.5
Stroke Length (mm)	50~300
Mounting Position	H type, V type
Colour	Black or Grey
Limit Switch	Build-in
Overload Protection	Yes
Duty Cycle	10%, max 2min. continuous use
IP Grade	IP54
Operating Temperature	+5°C ~ +40°C
Optional features	Hall sensor option Only push option
Standard	CE / UL962

LINEAR ACTUATORS

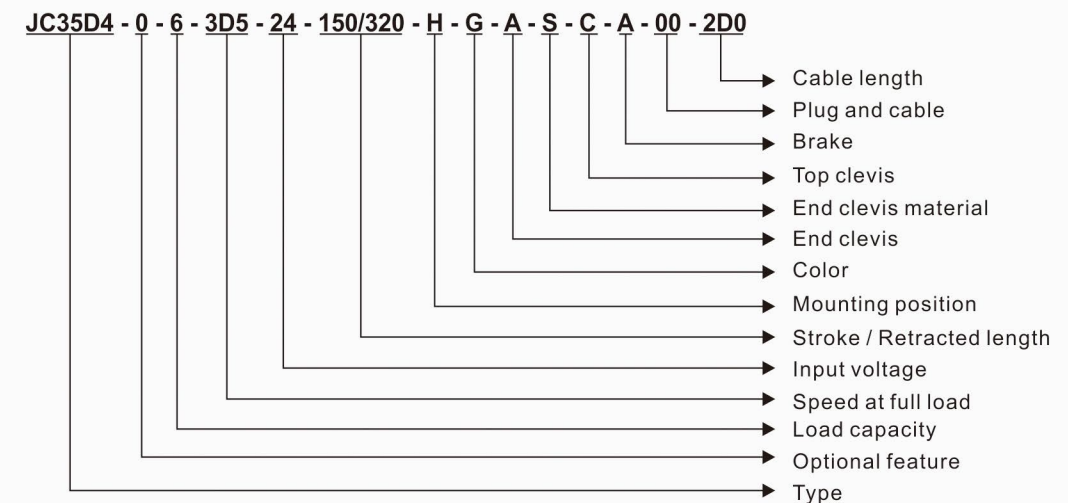
DIMENSIONS



PERFORMANCE



ORDER KEY EXAMPLE



LINEAR ACTUATORS

JC35DN

FEATURES

- Strong and robust design
- Low noise, IP66
- Ideal for medical, furniture and industry applications
- Can monting with JCR35



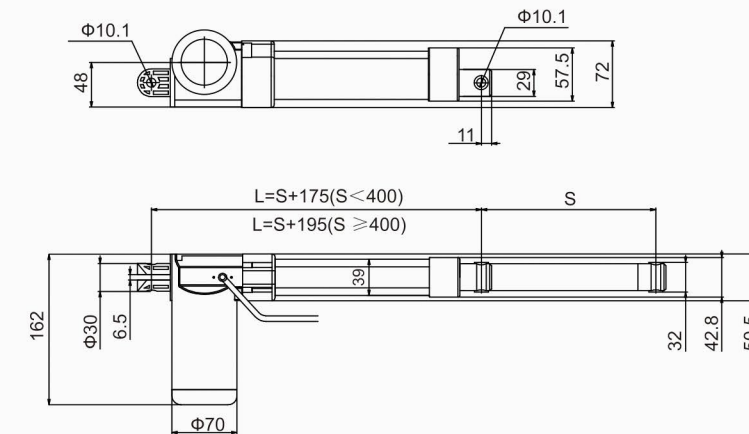
SPECIFICATIONS

Dynamic Load Push (N)	6000	4000	3000	2000	1000	750
Dynamic Load Pull (N)	4000	4000	3000	2000	1000	750
Static Load Push * (N)	6000	4000	3000	2000	1000	750
Static Load Pull * (N)	4000	4000	3000	2000	1000	750
Input (VDC)	24/12					
Speed at Full Load (mm/s)	3	4	6	9	20	25
Stroke Length (mm)	100~400 (option >400)					
Mounting Position	H type, V type and 45 degrees type					
Colour	Black or Grey					
Limit Switch	Build-in					
Overload Protection	Yes					
Duty Cycle	10%, max 2min. continuous use					
IP Grade	Max IP66					
Operating Temperature	+5°C ~ +40°C					
Optional Features	Hall sensor option					
	Reed switch option					
	Only push option					
	Relay free option					
Standard	CE / UL60601 / EN60601					

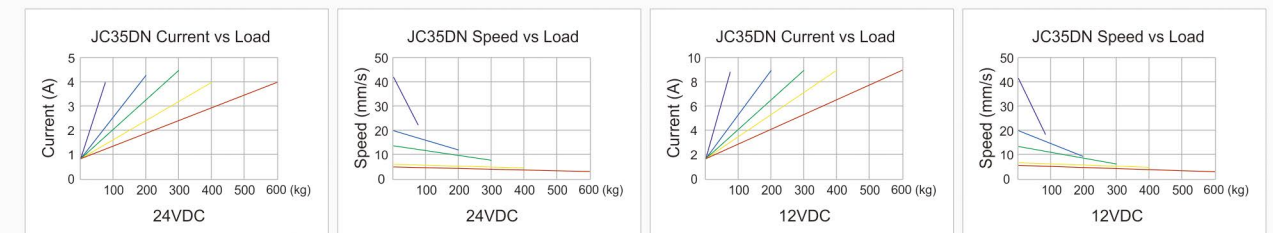
* The values apply when appropriate Jiecang Control Box is used, which short-circuits the motor during stop. Overload protection is set in jiecang's own control box

LINEAR ACTUATORS

DIMENSIONS

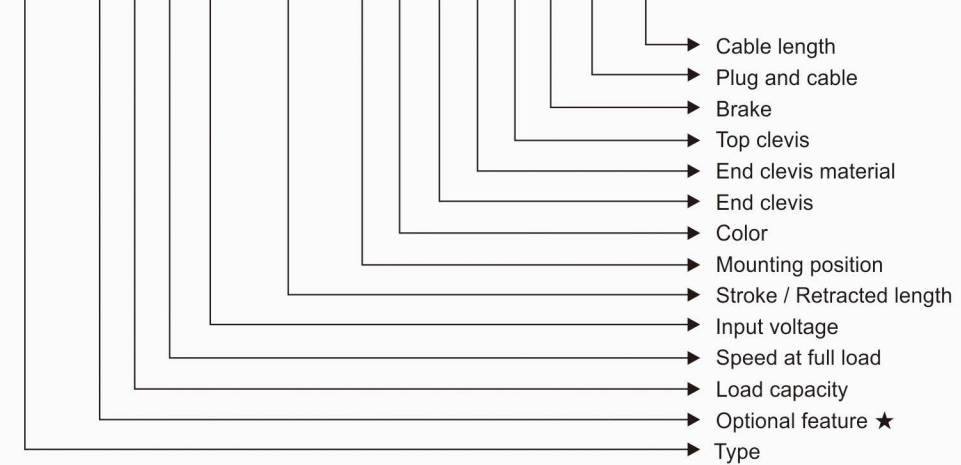


PERFORMANCE



ORDER KEY EXAMPLE

JC35DN - R - 6 - 3 - 12 - 100/275 - V - B - D - Z - A - 0 - 04 - 2D0



- ★ Standard
- 0 Hall sensor
- R Reed switch
- P Only push no pull

LINEAR ACTUATORS

JC35DN-F

FEATURES

- Strong and robust design
- IP66 and ideal for industry applications
- Quick speed, The quickest speed can arrive 55mm/s
- Use together with JCR35



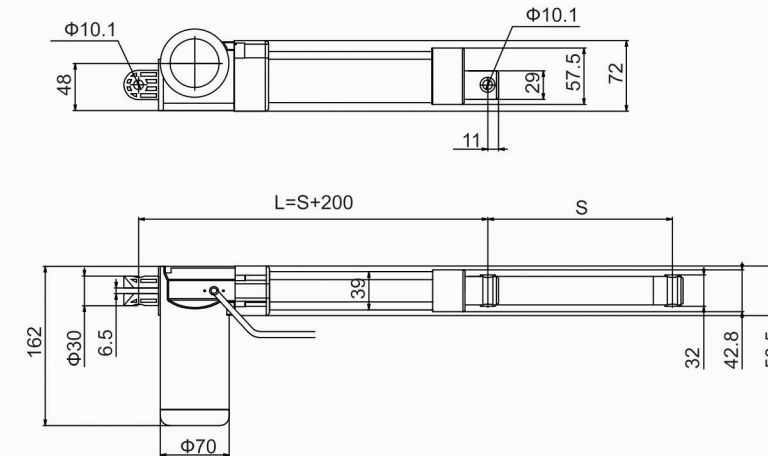
SPECIFICATIONS

Dynamic Load Push (N)	4000	2000	500
Dynamic Load Pull (N)	4000	2000	500
Static Load push* (N)	4000	2000	500
Static Load pull* (N)	4000	2000	500
Input (VDC)	24/12		
Speed at Full Load (mm/s)	10	18	55
Stroke Length (mm)	100~400 (option >400)		
Mounting position	H type, V type and 45 degrees type		
Color	Black or Grey		
Limit Switch	Build-in		
Overload Protection	Yes		
Duty Cycle	10%, max 2min. continuous use		
IP Grade	Max IP66		
Operating Temperature	0°C ~ +40°C		
Optional Features	Only push option		
Standard	CE		

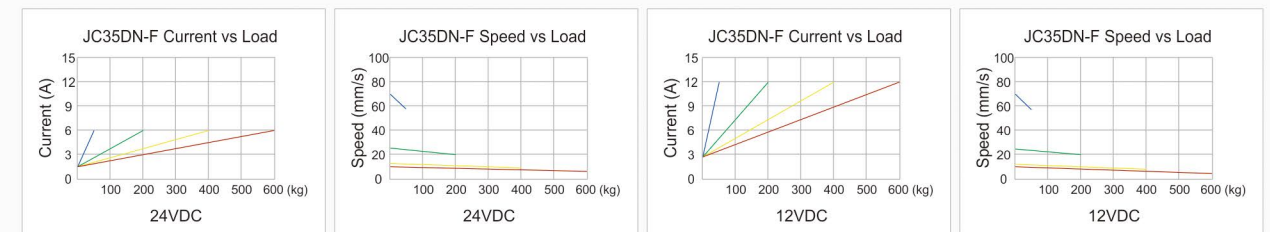
*The values apply when appropriate Jiecang Control Box is used, which short-circuits the motor during stop. Overload protection is set in jiecang's own control box

LINEAR ACTUATORS

DIMENSIONS

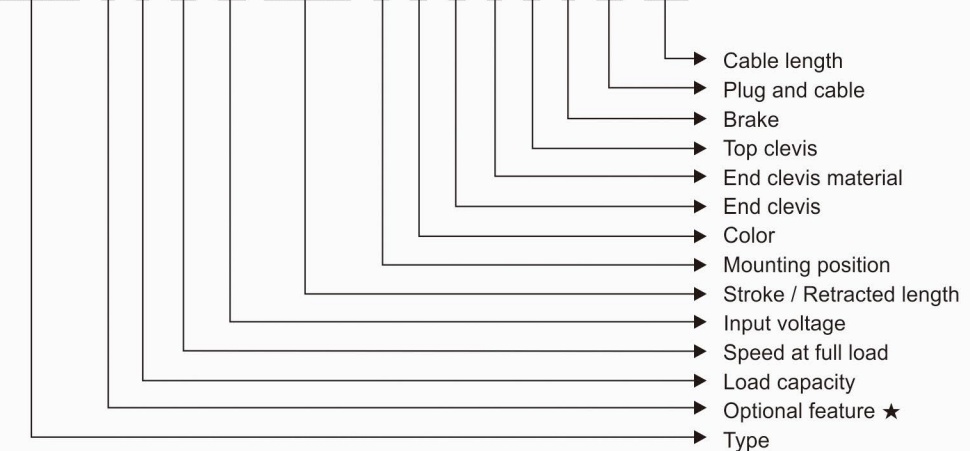


PERFORMANCE



ORDER KEY EXAMPLE

JC35DN-F - 0 - 4 - 10 - 12 - 100/300 - V - B - D - Z - A - 0 - 14 - 0D5



★
0 Standard
P Only push no pull

LINEAR ACTUATORS

JC35DS

FEATURES

- Quiet and powerful design
- Up to 6000N load capacity
- Can be operated by manual while power off



SPECIFICATIONS

Dynamic Load Push (N)	6000
Dynamic Load Pull (N)	3000
Input (VDC)	24
Speed at Full Load (mm/s)	3
Stroke Length (mm)	< 300
Mounting position	H type, V type
Color	Black or Grey
Limit Switch	Build-in
Overload Protection	Yes
Duty Cycle	10%, max 2min. continuous use
Inner Tube	Stainless steel tube
IP Grade	IP43
Operating Temperature	+5°C ~ +40°C
Standard	CE

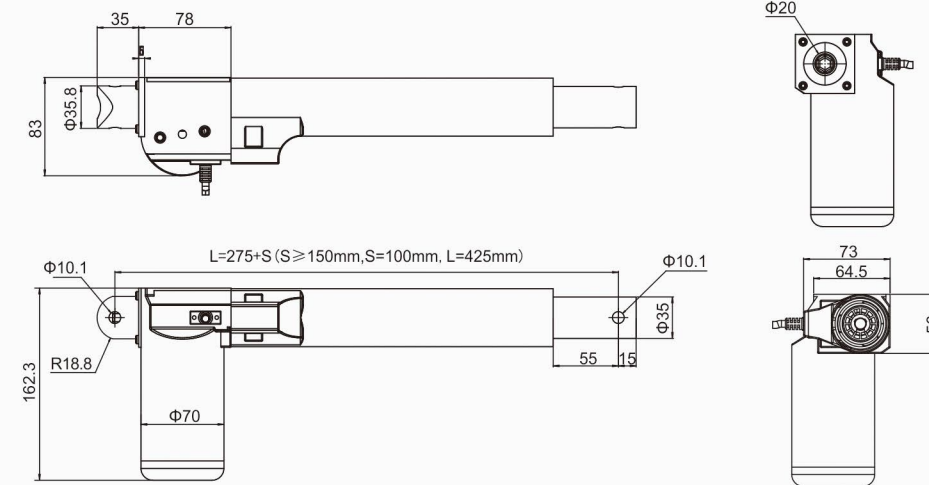
* The values apply when appropriate Jiechang Control Box is used, which short-circuits the motor during stop. Overload protection is set in jiechang's own control box

Note:

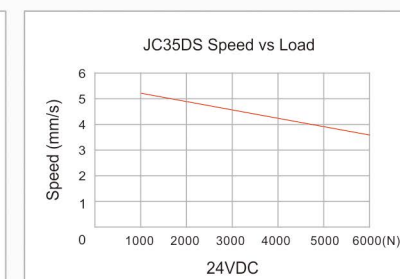
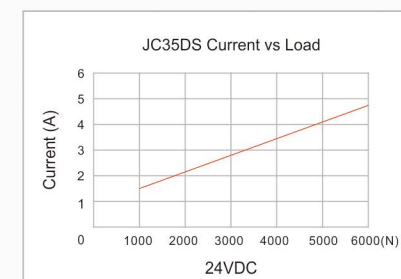
- The inner diameter of the hand crank is: 12mm
- Should match with jiechang specilly-made control box
- Inner tube is steel

LINEAR ACTUATORS

DIMENSIONS

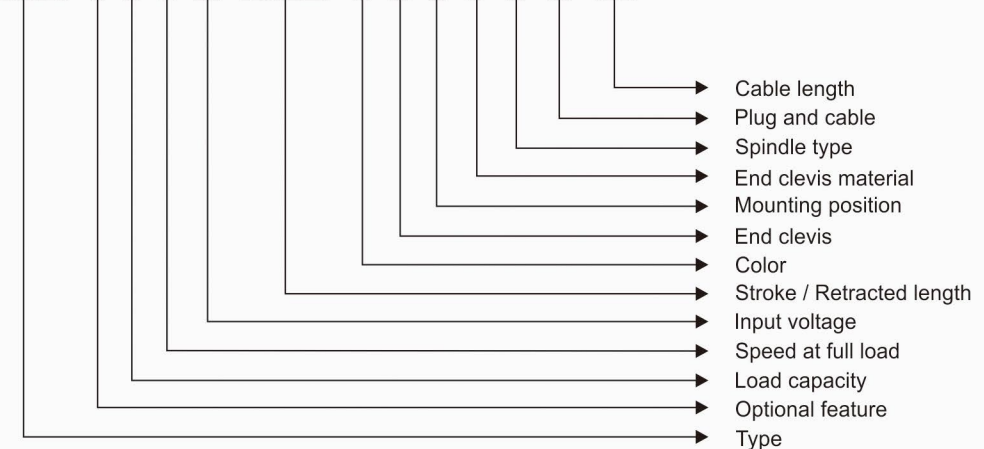


PERFORMANCE



ORDER KEY EXAMPLE

JC35DS - 0 - 6 - 3 - 24 - 100/425 - G - A - V - G - R - 00 - 3D0



LINEAR ACTUATORS

JC35DH

FEATURES

- Basic and economic design
- Up to 6000N load capacity
- Direct mounting on Control Box possibility
- Manual operated



SPECIFICATIONS

Dynamic Load Push (N)	6000	4000
Dynamic Load Pull (N)	4000	4000
Static Load push* (N)	5000	3500
Static Load pull* (N)	4000	3500
Input (VDC)	24/12	
Speed at Full Load (mm/s)	3	4
Stroke Length (mm)	50~400	50~250
Mounting position	H type, V type	
Color	Black or Grey	
Limit Switch	Build-in	
Overload Protection	Yes	
Duty Cycle	10%, max 2min. continuous use	
IP Grade	IP43	
Operating Temperature	+5°C ~ +40°C	
Standard	CE / UL60601	

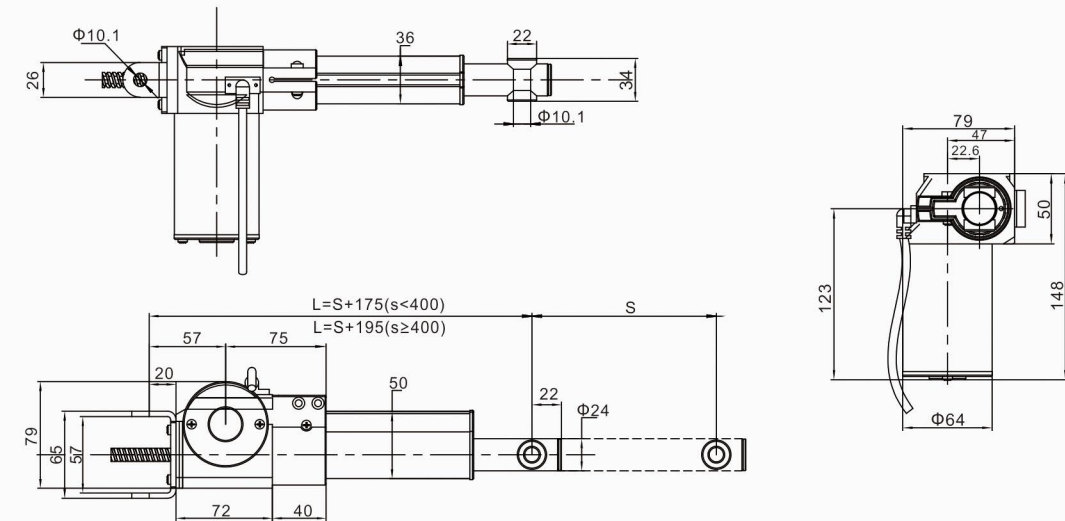
*The values apply when appropriate Jiechang Control Box is used, which short-circuits the motor during stop.
Overload protection is set in jiechang's own control box

Note:

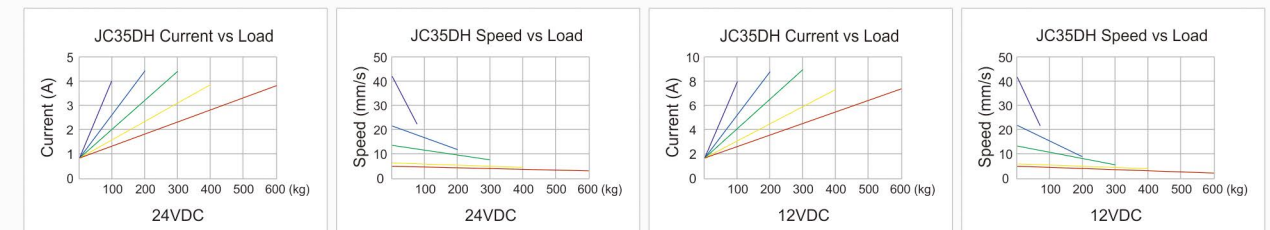
- The inner diameter of the hand crank is: 11mm
- Should match with jiechang specilly-made control box
- Inner tube is steel

LINEAR ACTUATORS

DIMENSIONS

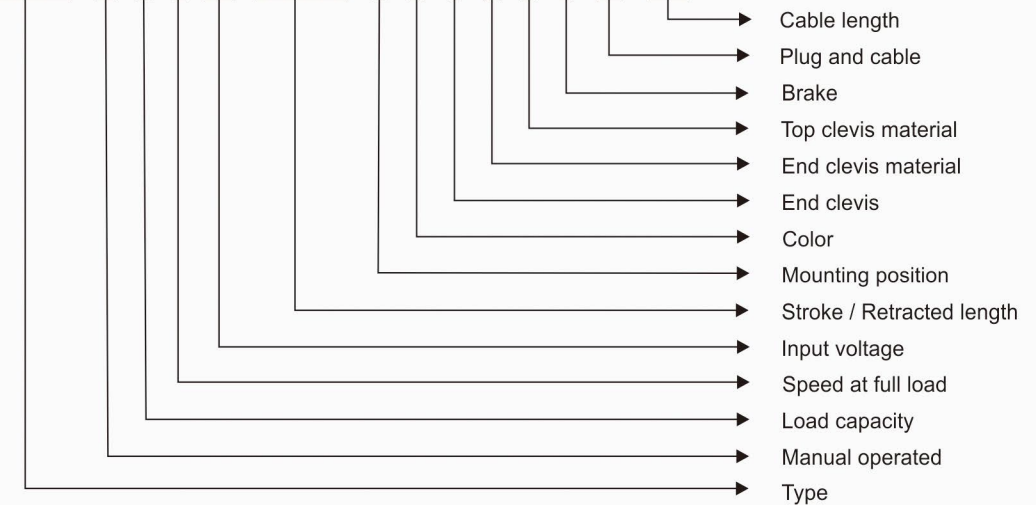


PERFORMANCE



ORDER KEY EXAMPLE

JC35D1 - H - 6 - 3 - 24 - 200/395 - V - B - 0 - N - D - 0 - 00 - 3D0

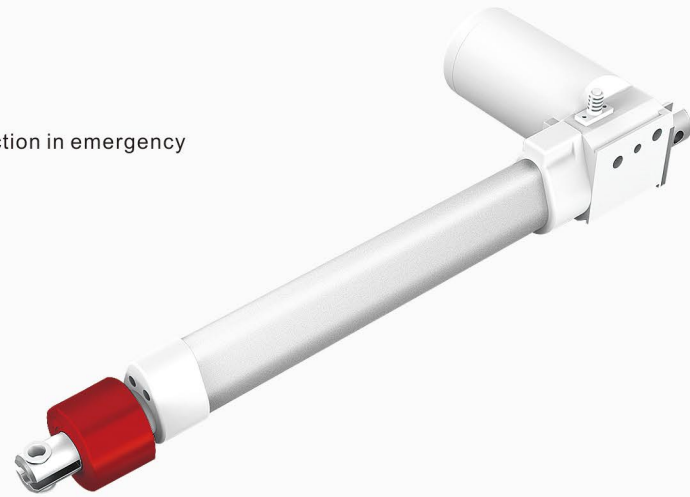


LINEAR ACTUATORS

JC35K1

FEATURES

- Quiet and powerful design
- Up to 8000N load capacity with manual function in emergency
- Idea for patient lift application



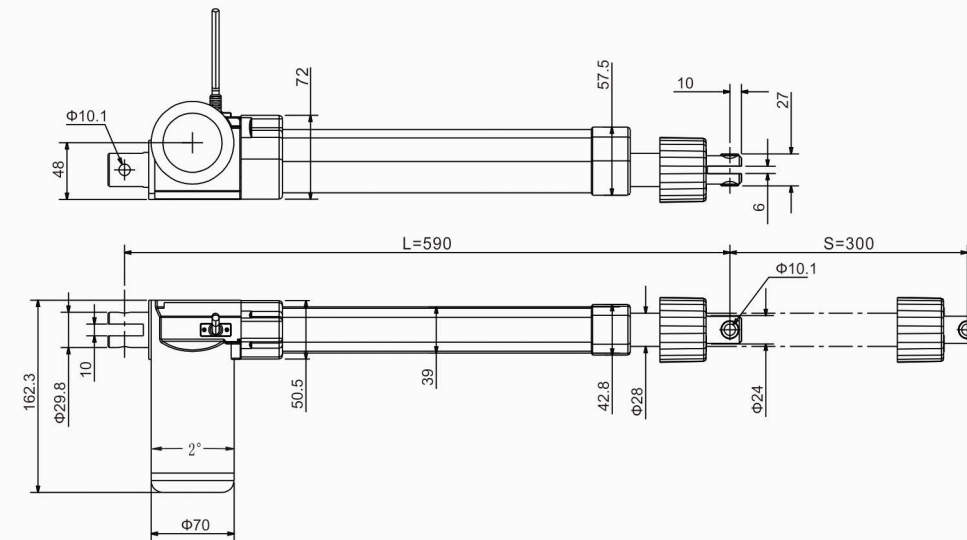
SPECIFICATIONS

Dynamic Load Push (N)	8000
Static Load push* (N)	8000
Input (VDC)	24
Without Load (mm/s)	6
Speed at Full Load (mm/s)	3
Stroke Length (mm)	≤400
Mounting position	H or V type
Color	Grey
Limit Switch	Built-in
Overload Protection	Yes
Duty Cycle	10%, max 2min. continuous operation
IP Grade	IP54
Operating Temperature	+5°C~+40°C
Safety nut	Built-in
Operation	Head rotate
Standard	CE

* The values apply when appropriate Jiechang Control Box is used, which short-circuits the motor during stop
Overload protection is set in jiechang's own control box

LINEAR ACTUATORS

DIMENSIONS



PERFORMANCE



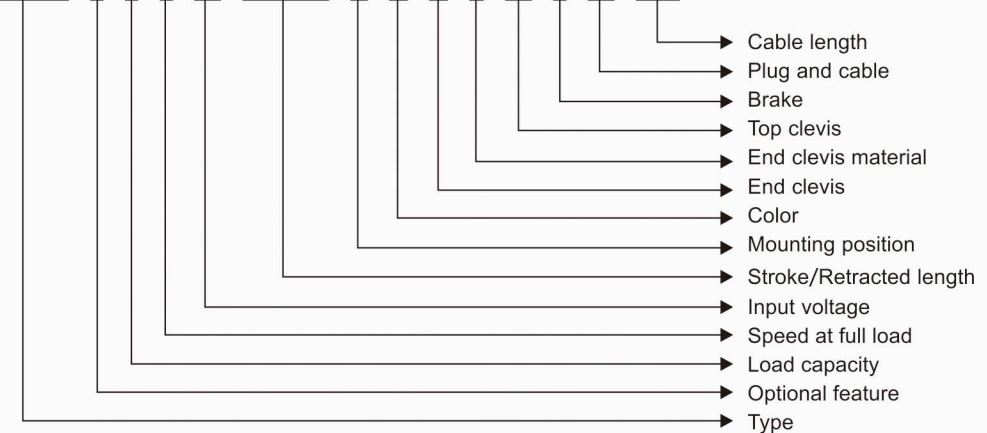
Application in patient lift



Max weight of the patient is 180kgs.

ORDER KEY EXAMPLE

JC35K1 - 0 - 8 - 3 - 24 - 300/590 - H - G - G - T - 28 - 2 - 44 - 1D0



LINEAR ACTUATORS

JC35L3

FEATURES

- Capable for 6000N,4000N load capacity
- Low noise
- Faster speed
- Designed for medical bed, operation bed, etc.



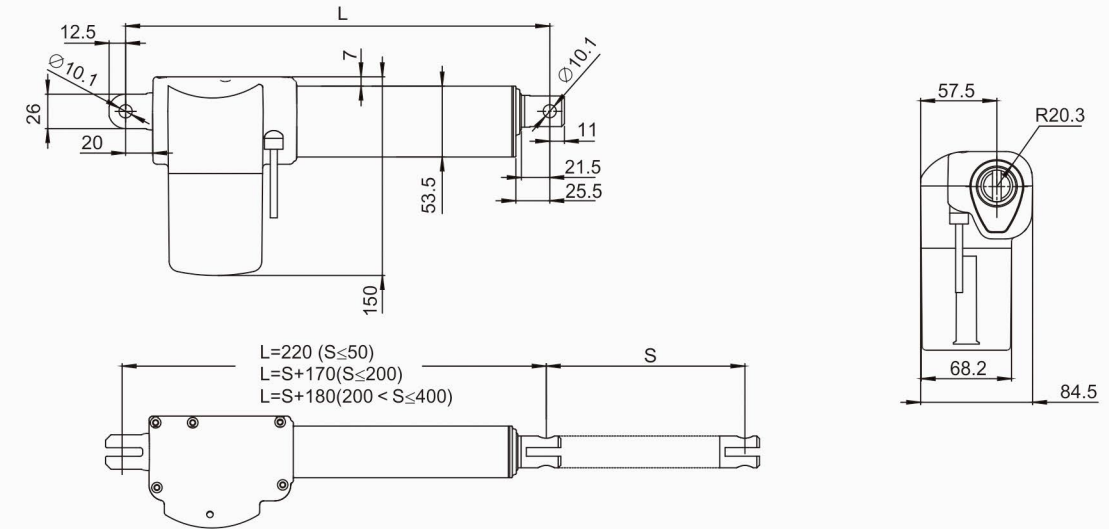
SPECIFICATIONS

Dynamic Load Push (N)	6000	4000
Dynamic Load Pull (N)	4000	
Static Load Push * (N)	6000N(Match with JIECANG control boxes)	
Static Load Pull * (N)	4000N(Match with JIECANG control boxes)	
Input (VDC)	24	
Speed at Full Load (mm/s)	4	6
Stroke Length (mm)	50-300	50-400
Mounting position	H type, V type	
Colour	Black or Grey	
Limit Switch	Built-in	
Overload Protection	Yes	
Duty Cycle	10%,max 2min.continuous operation	
IP Grade	IP54/IP66	
Operation Temperature	0°C ~ +50°C	
Optional Features	Hall sensor option	
	Anti-pinch option	
Standard	CE/UL	

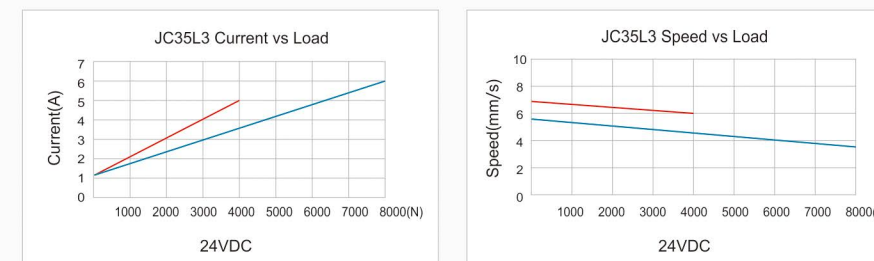
*The values apply when appropriate Jiechang Control Box is used, which short-circuits the motor during stop.
Overload protection is set in jiechang's own control box

LINEAR ACTUATORS

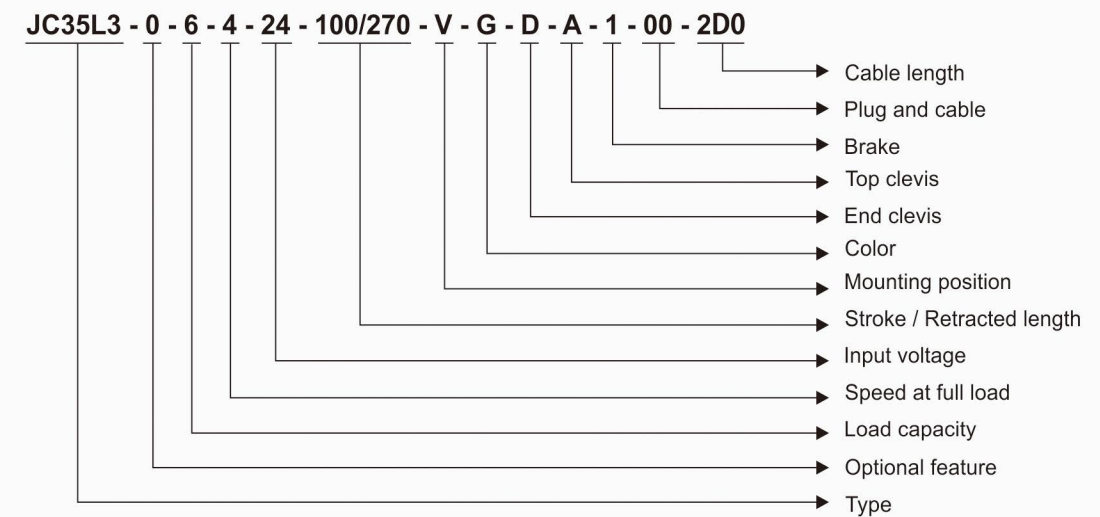
DIMENSIONS



PERFORMANCE



ORDER KEY EXAMPLE



LINEAR ACTUATORS

JC35L6

FEATURES

- Compact size and powerful design
- Apply to all kinds of adjustable beds

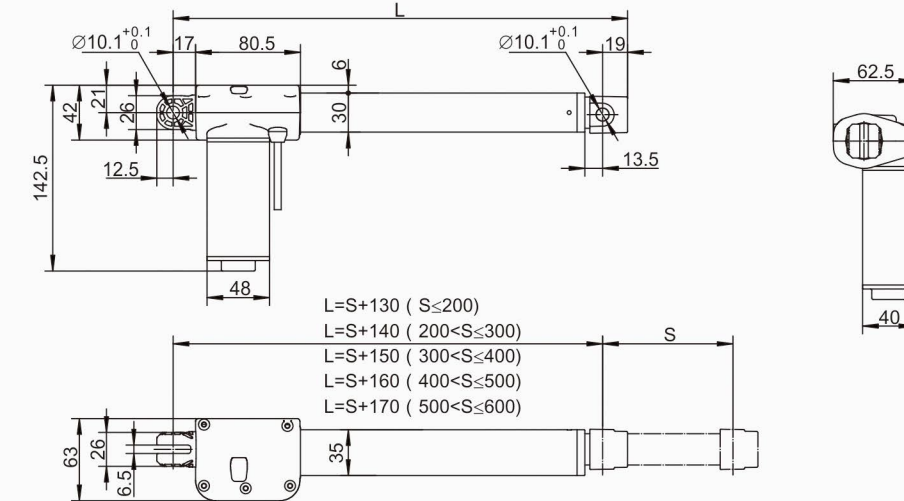


SPECIFICATIONS

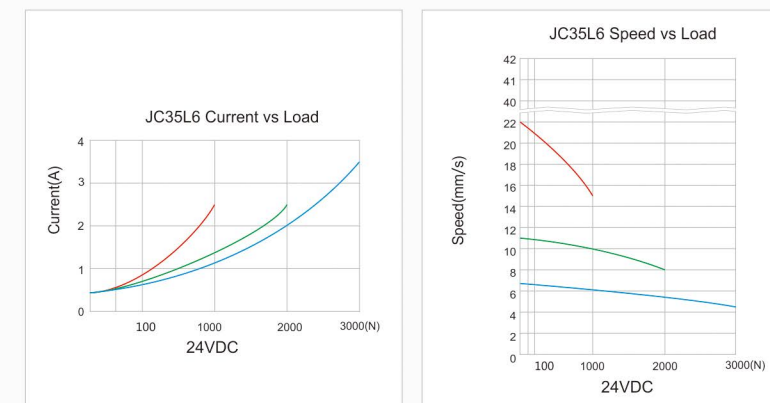
Dynamic Load Push (N)	3000	2000	1000
Dynamic Load Pull (N)		2000	
Input (VDC)		24	
Speed at Full Load (mm/s)	4.5	8	13
Stroke Length (mm)		50-600	
Mounting position	H type, V type and 45 degrees type		
Colour	Black or Grey		
Limit Switch	Built-in		
Overload Protection	Yes		
Duty Cycle	10%,max 2min.continuous operation		
IP Grade	IPX4		
Operation Temperature	0°C ~ +50°C		
Optional Features	Hall sensor option Anti-pinch option		
Standard	CE/UL962		

LINEAR ACTUATORS

DIMENSIONS

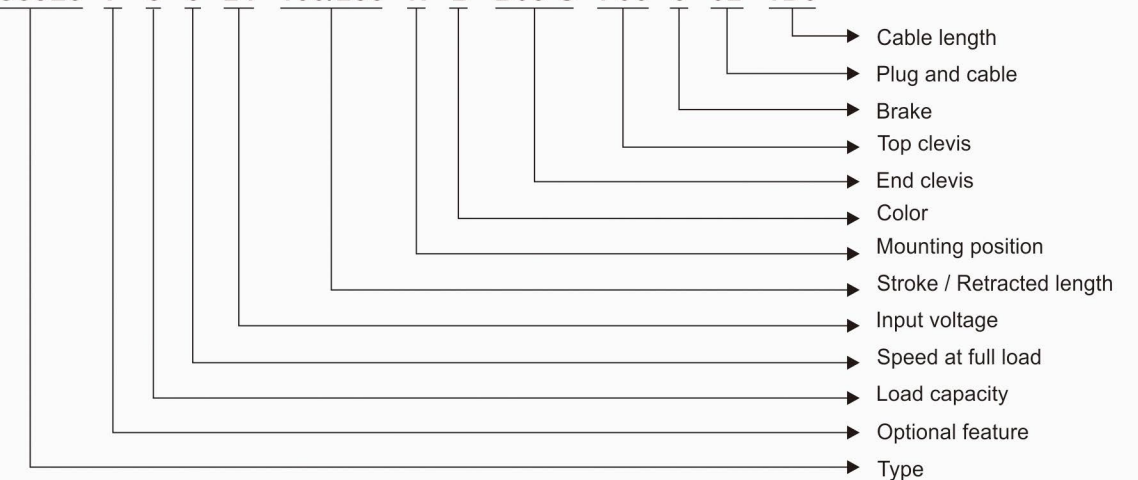


PERFORMANCE



ORDER KEY EXAMPLE

JC35L6 - P - 3 - 6 - 24 - 100/230 - H - B - B03-S - F06 - 0 - 02 - 1D0



LINEAR ACTUATORS

JC35L9

FEATURES

- Faster and less noise
- Apply to all kinds of adjustable beds

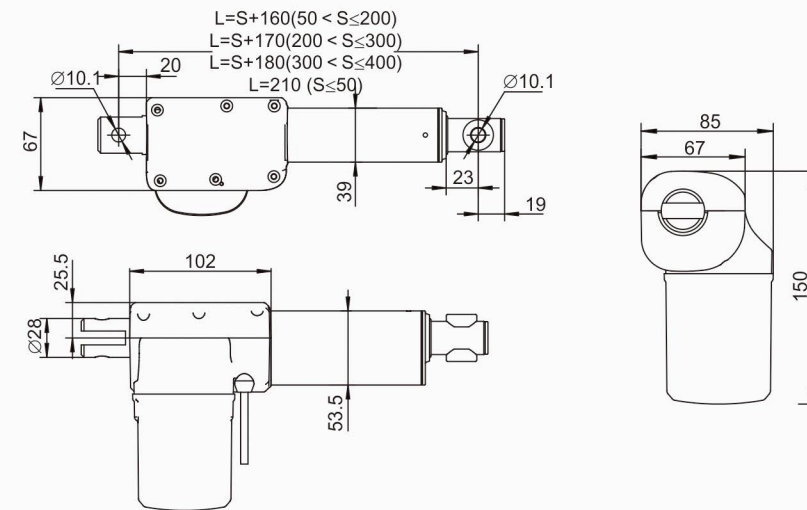


SPECIFICATIONS

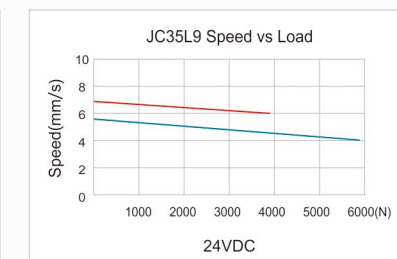
Dynamic Load Push (N)	6000	4000
Dynamic Load Pull (N)	4000	
Input (VDC)	24	
Speed at Full Load (mm/s)	4	6
Stroke Length (mm)	50-250	50-500
Mounting position	H type, V type	
Colour	Black or Grey	
Limit Switch	Built-in	
Overload Protection	Yes	
Duty Cycle	10%,max 2min.continuous operation	
IP Grade	IP54	
Operation Temperature	0°C ~ +50°C	
Optional Features	Hall sensor option Only push option	
Standard	CE/UL962	

LINEAR ACTUATORS

DIMENSIONS

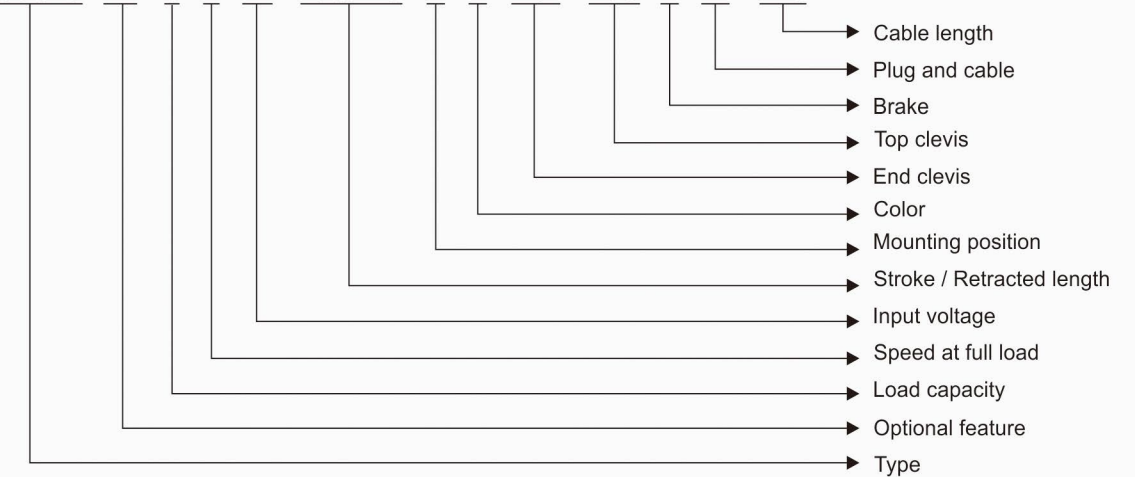


PERFORMANCE



ORDER KEY EXAMPLE

JC35L9 - YP - 6 - 4 - 24 - 100/275 - H - B - B02 - F06 - 2 - 21 - 1D0

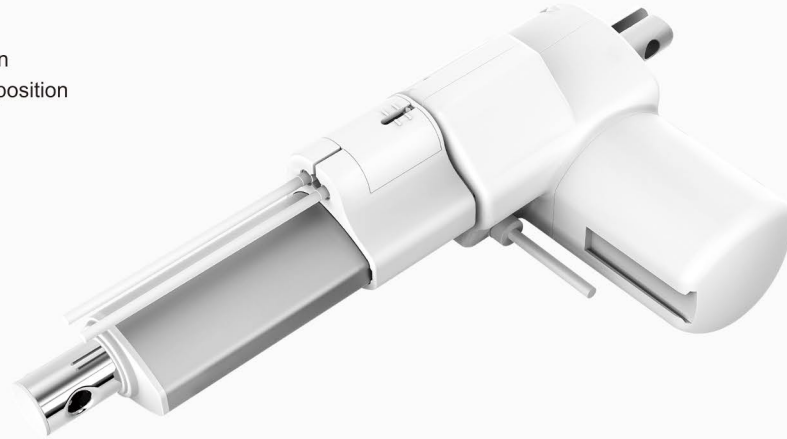


LINEAR ACTUATORS

JC35L10

FEATURES

- Low noise, IP54 with quick release function
- Achieve the quick release function at any position



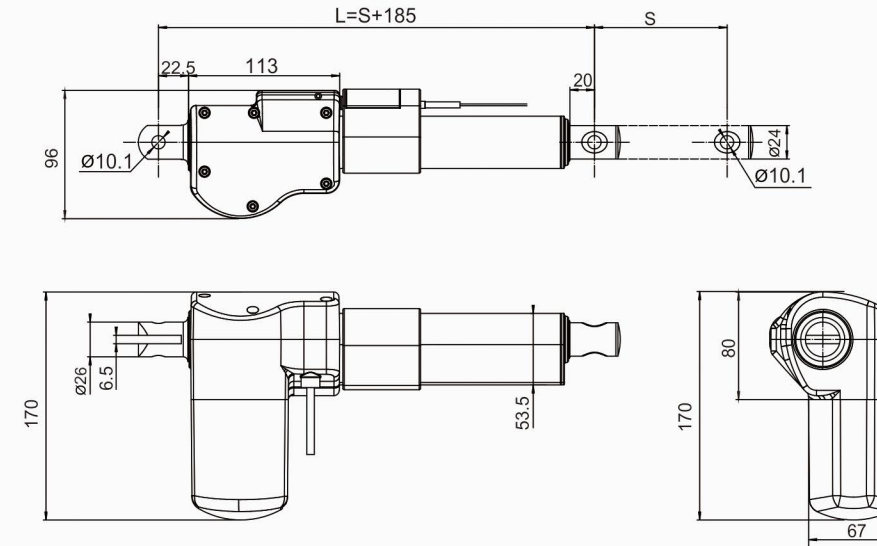
SPECIFICATIONS

Dynamic Load Push (N)	3000
Dynamic Load Pull (N)	3000
Static Load push* (N)	3000
Input (VDC)	24
Speed at Full Load (mm/s)	6
Stroke Length (mm)	100~400
Mounting position	H type, V type
Color	Black or Grey
Limit Switch	Build-in
Overload Protection	Yes
Duty Cycle	10%, max 2min. continuous use
IP Grade	IP54
Operation Temperature	+5°C ~ +40°C
Standard	CE / UL60601 / EN60601

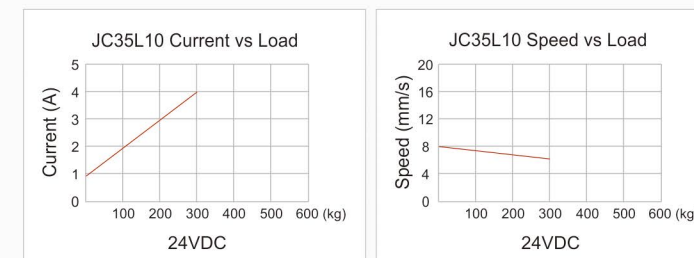
*The values apply when appropriate Jiechang Control Box is used, which short-circuits the motor during stop. Overload protection is set in jiechang's own control box

LINEAR ACTUATORS

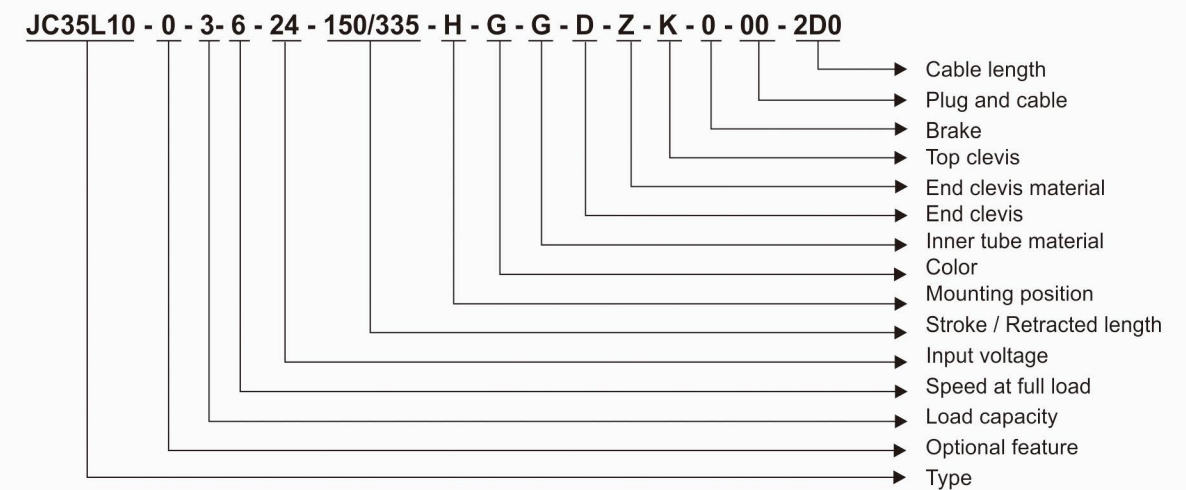
DIMENSIONS



PERFORMANCE



ORDER KEY EXAMPLE



LINEAR ACTUATORS

JC35L

FEATURES

- The track actuator with nut moving outside on the profile
- The mounting dimension is fixed according to the stroke
- Ideal for reclining chairs and TV Lift applications



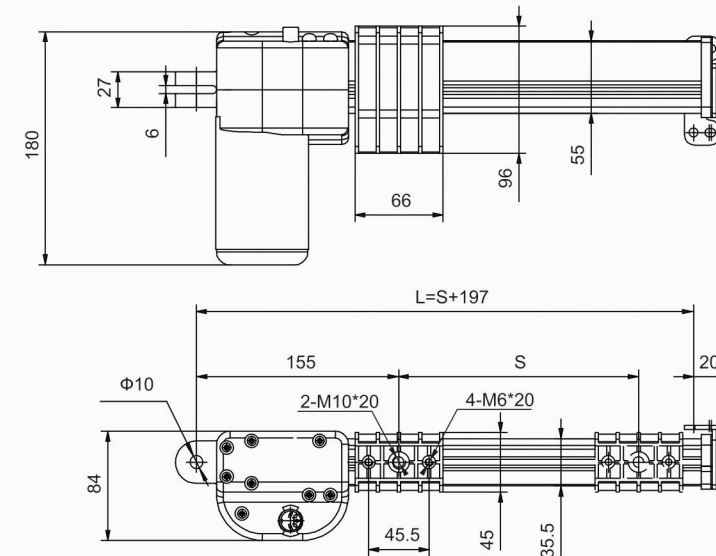
SPECIFICATIONS

Dynamic Load Push (N)	4000	2000	750
Dynamic Load Pull (N)	3000	1500	500
Static Load * (N)	3000	1500	500
Input (VDC)	24/12		
Speed at Full Load (mm/s)	4	9	22
Stroke Length (mm)	100~400 (option >400)		
Mounting position	H type		
Colour	Black or Grey		
Limit Switch	Build-in		
Overload Protection	Yes		
Duty Cycle	10%, max 2min. continuous use		
IP Grade	IP20		
Operating Temperature	+5°C ~ +40°C		
Optional Features	Hall sensor option		
	Relay free option		
Standard	CE		

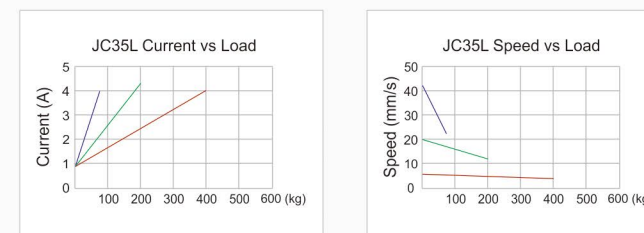
* The values apply when appropriate Jiecang Control Box is used, which short-circuits the motor during stop. Overload protection is set in jiecang's own control box

LINEAR ACTUATORS

DIMENSIONS

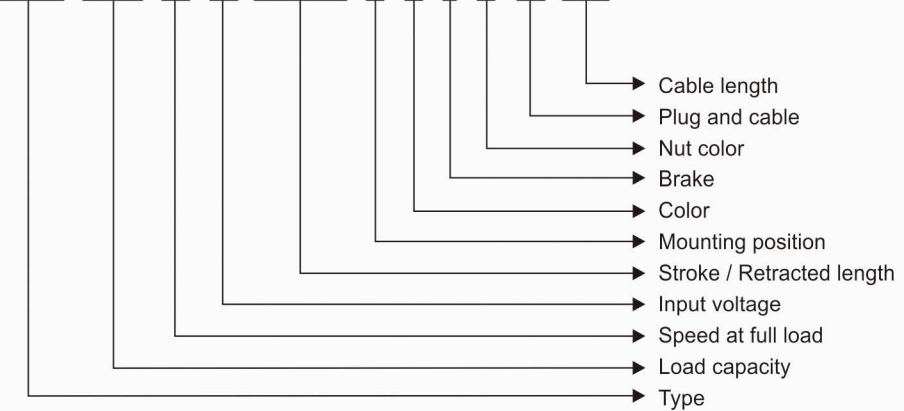


PERFORMANCE



ORDER KEY EXAMPLE

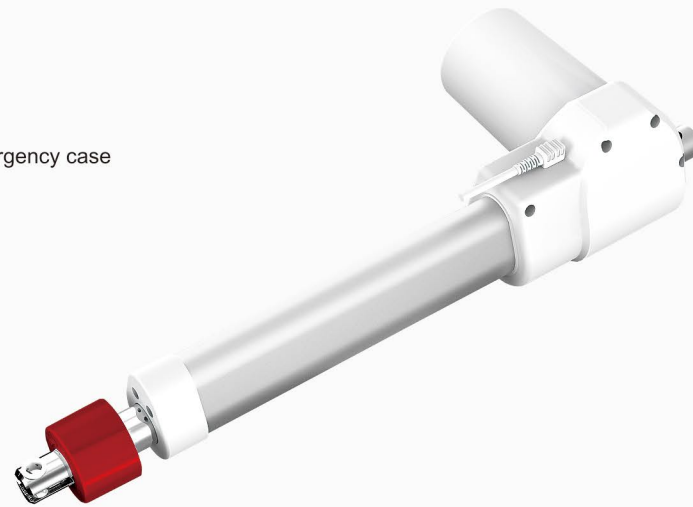
JC35L - 0D75 - 22 - 24 - 200/397 - H - B - 0 - B - 00 - 2D0



JC35M4

FEATURES

- Strong and quiet design
- Max 10000N Push, manual operation under emergency case
- Good choice for Patient lift

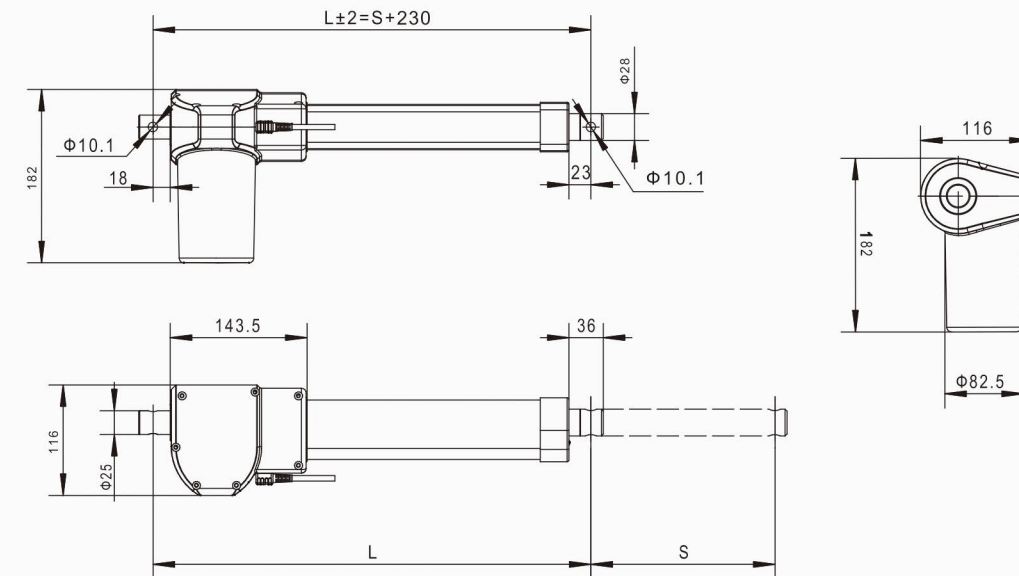


SPECIFICATIONS

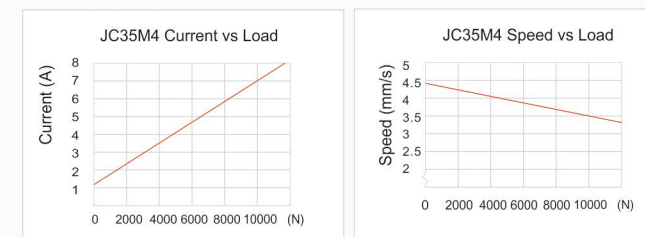
Dynamic Load Push (N)	>10000
Static Load push* (N)	>10000
Input (VDC)	24
Speed at Full Load (mm/s)	3.5
Stroke Length (mm)	≤350
Color	Grey
Limit Switch	Build-in
Duty Cycle	10%, max 2min. continuous use
IP Grade	Max IP66
Operating Temperature	+5°C ~ +40°C
Other features	Hall sensor option
	Manual operation
	Only push option

* The values apply when appropriate Jiecang Control Box is used, which short-circuits the motor during stop.

DIMENSIONS

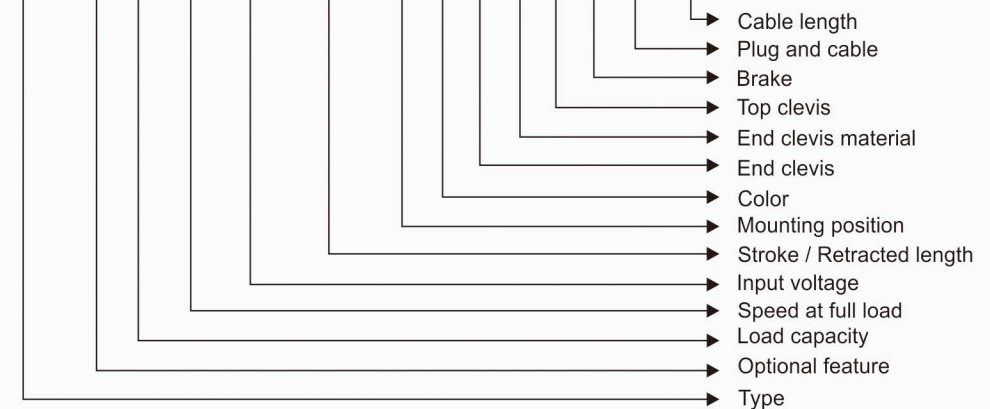


PERFORMANCE



ORDER KEY EXAMPLE

JC35M4 - 0 - 10 - 3D5 - 24 - 200/410 - H - G - A - G - A - 2 - 00 - 1D5

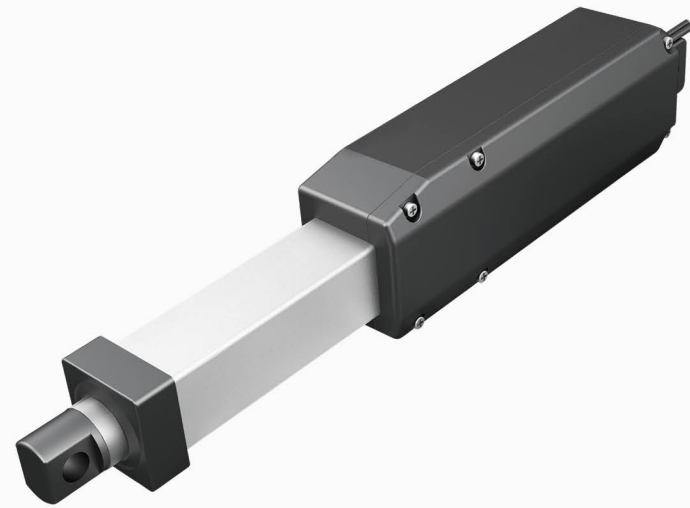


LINEAR ACTUATORS

JC35N

FEATURES

- Basic and economic design
- 20N load capacity
- IP66



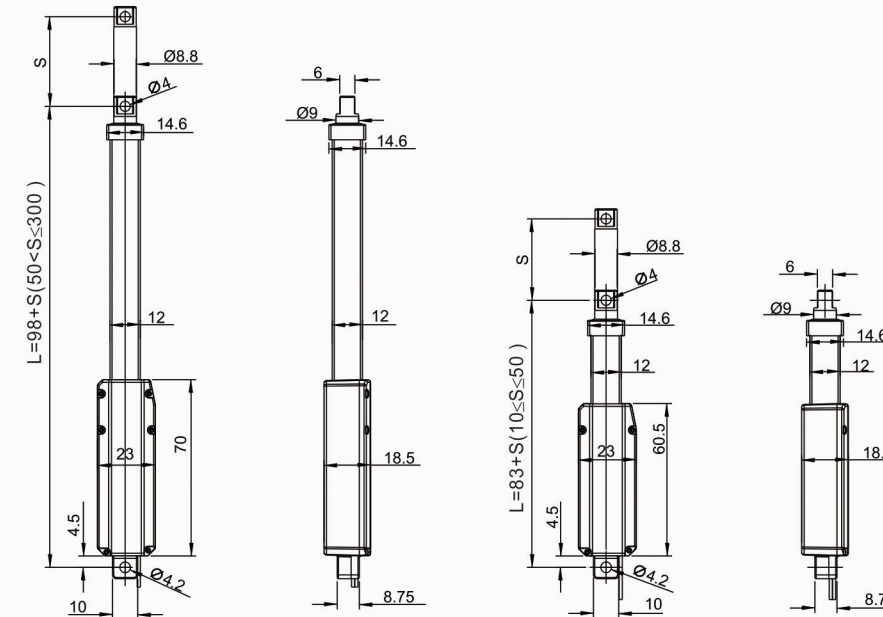
SPECIFICATIONS

Dynamic Load Push (N)	20
Dynamic Load Pull (N)	20
Static Load Push* (N)	25
Static Load Pull* (N)	25
Input (VDC)	12
Speed at Full Load (mm/s)	12
Stroke Length (mm)	10~300
Colour	Black
Limit Switch	Build-in
Duty Cycle	10%, max 2min. continuous use
IP Grade	IP54/IP66
Operating Temperature	+5°C ~ +40°C
Standard	CE

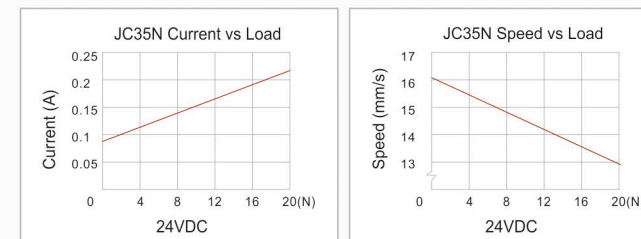
* The values apply when appropriate Jiecang Control Box is used, which short-circuits the motor during stop.

LINEAR ACTUATORS

DIMENSIONS

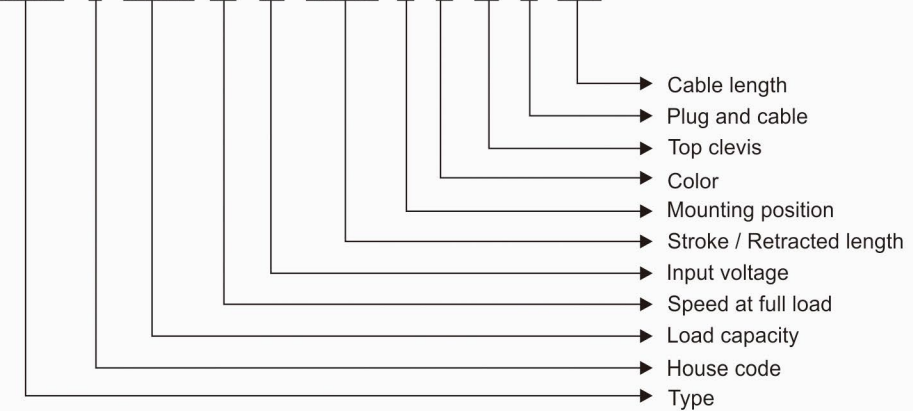


PERFORMANCE



ORDER KEY EXAMPLE

JC35N - 1 - 0D020 - 12 - 12 - 26/109 - V - B - 41 - 0 - 0D2



JC35N1

FEATURES

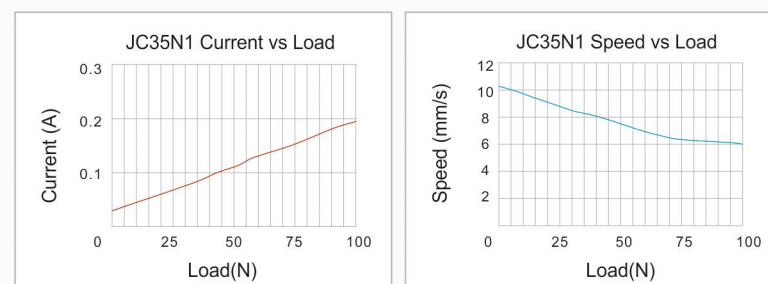
- Side mounted installation
- High duty cycle with IP54



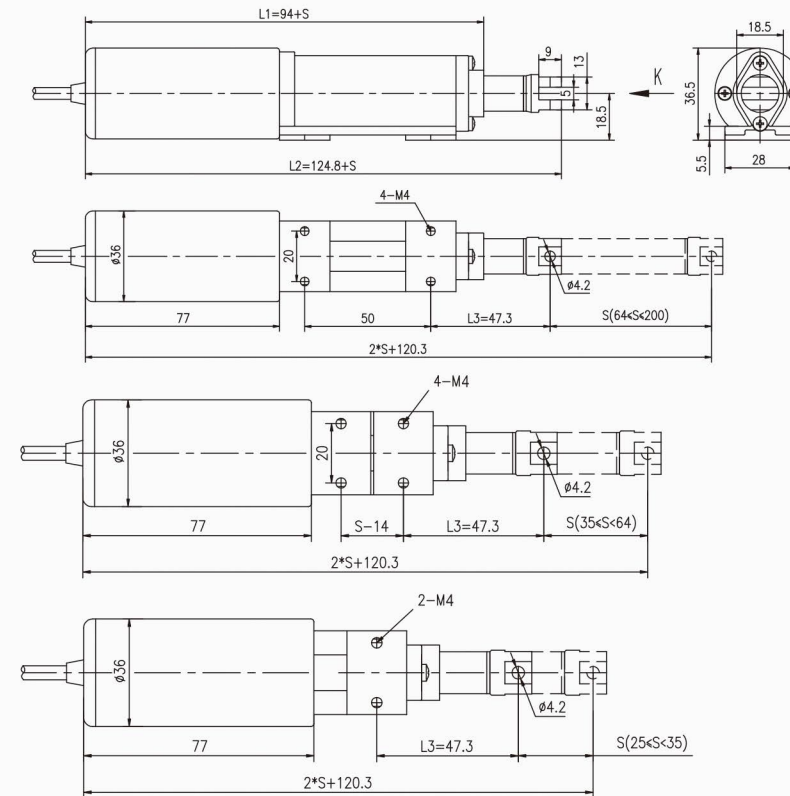
SPECIFICATIONS

Dynamic Load Push (N)	100
Dynamic Load Pull (N)	50
Static Load (N)	50
Input (VDC)	12
Speed at Full Load (mm/s)	7
Stroke Length (mm)	25 ~ 200
Duty Cycle	30%, max 5min. continuous use
IP Grade	IP54
Operating Temperature	+5°C ~ +40°C
Limit Switch	No
Standard	CE

PERFORMANCE

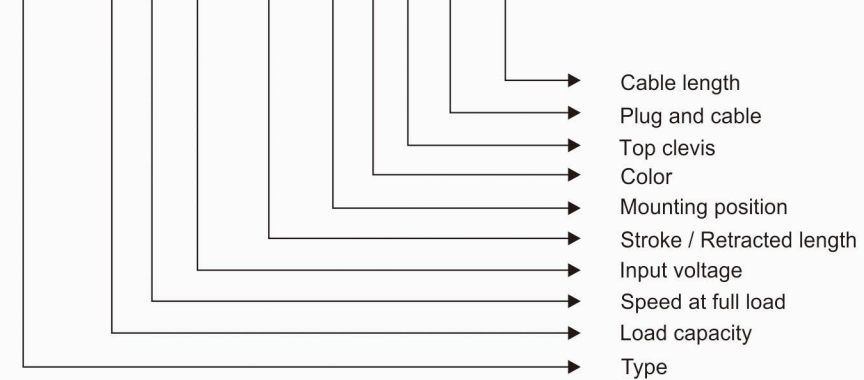


DIMENSIONS



ORDER KEY EXAMPLE

JC35N1 - D05- 7 - 12 - 100/47 - H - B - 1 - 14 - 0D3



LINEAR ACTUATORS

JC35W1

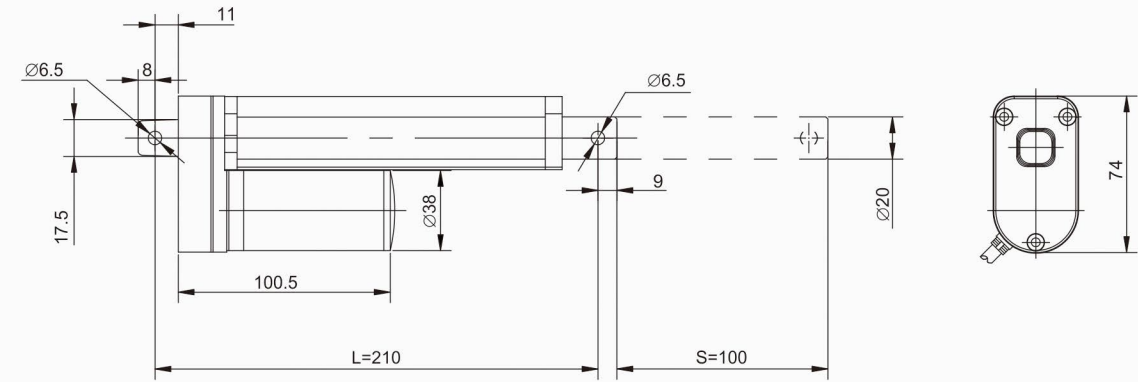
FEATURES

- Basic and economic design
- 1000N load capacity



LINEAR ACTUATORS

DIMENSIONS

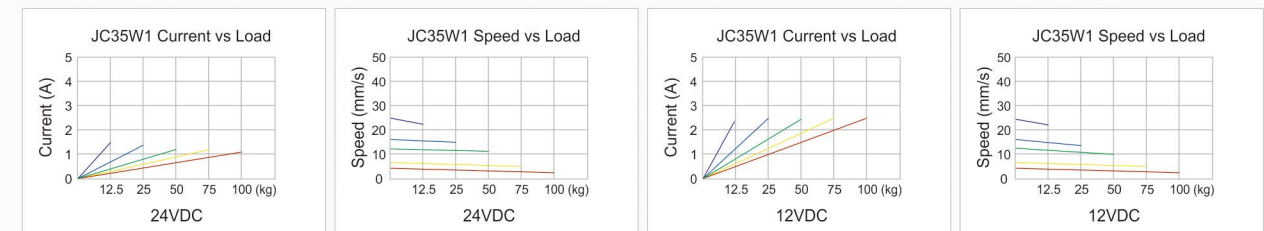


SPECIFICATIONS

Dynamic Load Push (N)	125	250	500	750	1000
Dynamic Load Pull (N)	125	250	500	500	500
Static Load Push* (N)	125	250	500	750	1000
Static Load Pull* (N)	125	250	500	500	500
Input (VDC)	24/12				
Speed at Full Load (mm/s)	20	10	6	3	2
Stroke Length (mm)	100~400 (option >400)				
Colour	Silver				
Limit Switch	Build-in				
Overload Protection	Yse				
Duty Cycle	25%, max 5min. continuous use				
Operating Temperature	0°C~50°C				
Standard	CE				

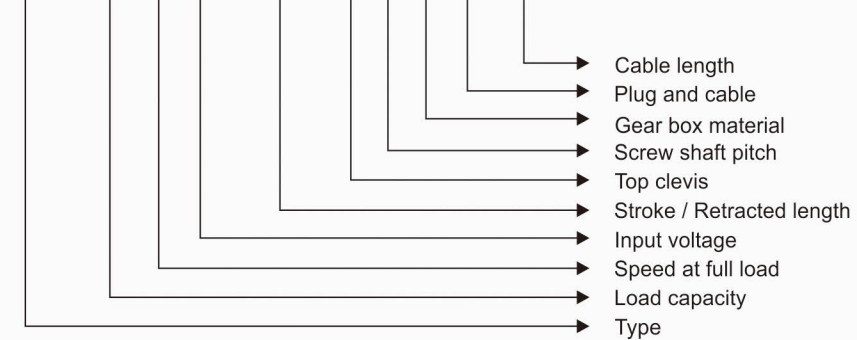
* The values apply when appropriate Jiecang Control Box is used, which short-circuits the motor during stop
Overload protection is set in jiecang's own control box

PERFORMANCE



ORDER KEY EXAMPLE

JC35W1 - 1D0 - 2 - 24 - 150/260 - A - B - Z - 00 - 2D0



LINEAR ACTUATORS

JC35W2

FEATURES

- 3000N load capacity
- IP66



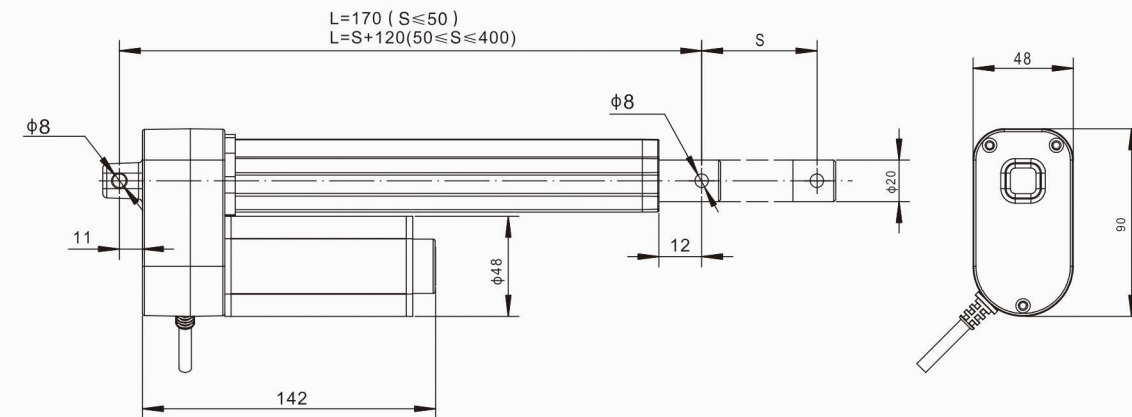
SPECIFICATIONS

Dynamic Load Push (N)	1000	2000	3000
Dynamic Load Pull (N)	1000	2000	3000
Static Load Push* (N)	1200	2400	3500
Static Load Pull* (N)	1200	2400	3500
Input (VDC)	24/12		
Speed at Full Load (mm/s)	14	8.5	5
Stroke Length (mm)	50~400		50~250
Colour	Silver		
Limit Switch	Build-in		
Overload Protection	Yes		
Duty Cycle	10%, max 2min. continuous use		
IP Grade	IP54/IP66		
Operating Temperature	0°C ~ 50°C		
Optional Features	Hall sensor option		
Standard	CE / EN60601-1		

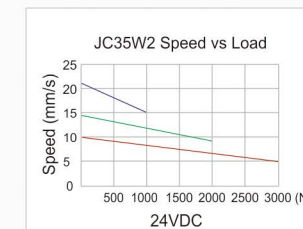
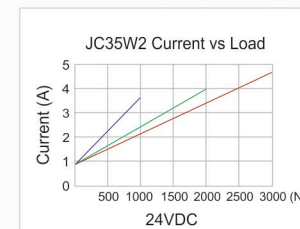
* The values apply when appropriate Jiecang Control Box is used, which short-circuits the motor during stop. Overload protection is set in jiecang's own control box

LINEAR ACTUATORS

DIMENSIONS

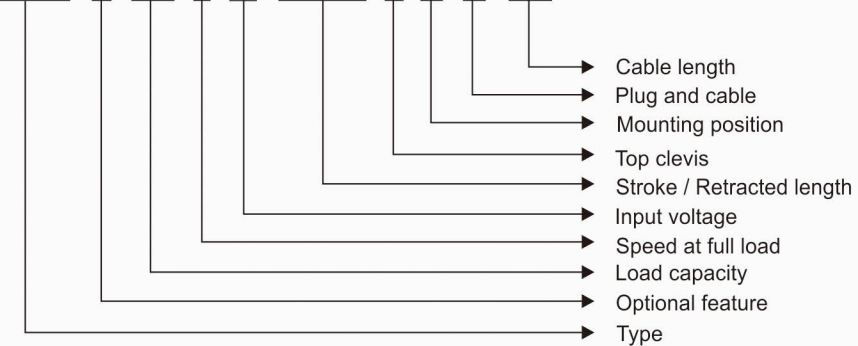


PERFORMANCE



ORDER KEY EXAMPLE

JC35W2 - Y - 3D0 - 5 - 24 - 100/220 - A - V - 00 - 2D0



LINEAR ACTUATORS

JC35W3

FEATURES

- Strong and robust design
- Max load capacity 8000N
- IP Grade IP66
- Designed for Ultra-low bed, operation table, etc .



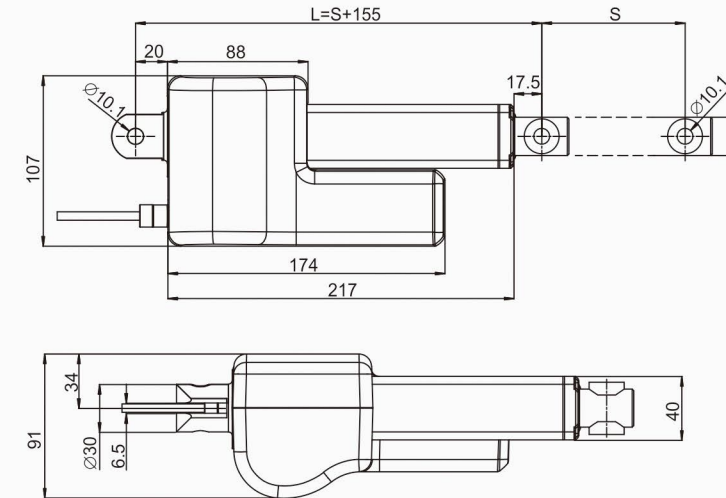
SPECIFICATIONS

Dynamic Load Push	(N)	8000
Dynamic Load Pull	(N)	4000
Static Load Push*	(N)	8000
Static Load Pull*	(N)	4000
Input	(VDC)	24
Speed at Full Load	(mm/s)	3.5
Stroke Length	(mm)	50~250
Colour		Grey
Limit Switch		Build-in
Duty Cycle		10%, max 2min. continuous use
IP Grade		IP54/IP66
Operating Temperature		+5°C ~ +45°C
Optional Features		Hall sensor option
		Anti-pinch option

* The values apply when appropriate Jiechang Control Box is used, which short-circuits the motor during stop. Overload protection is set in jiechang's own control box

LINEAR ACTUATORS

DIMENSIONS

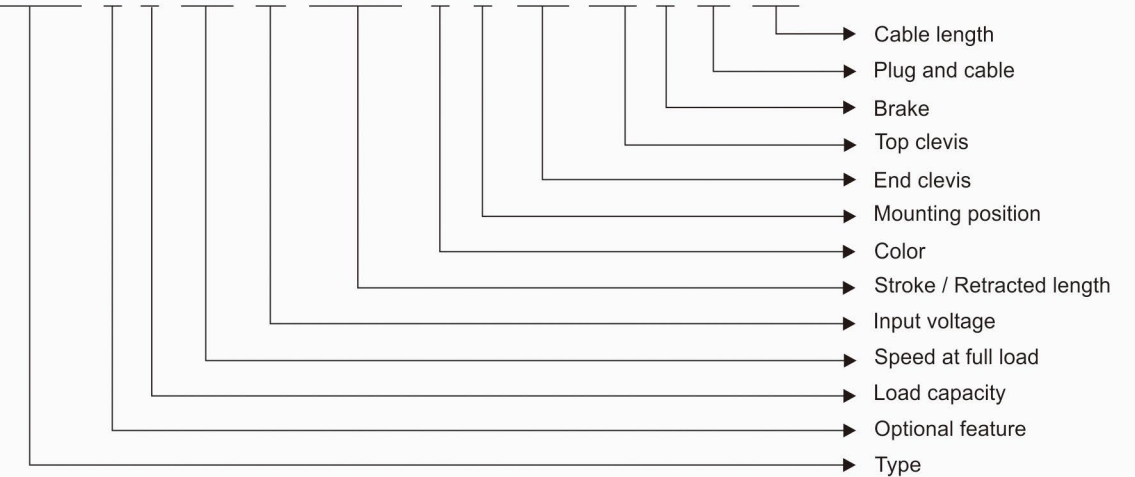


PERFORMANCE



ORDER KEY EXAMPLE

JC35W3 - 0 - 8 - 3D5 - 24 - 100/255 - G - H - B02 - F06 - 1 - 02 - 1D5



LINEAR ACTUATORS

JC35W5

FEATURES

- It can be used for 3000N(24V)、2000N(12V) and the lower configuration
- Higher speed and IP Grade, also the lower current
- Apply to industry and medical market



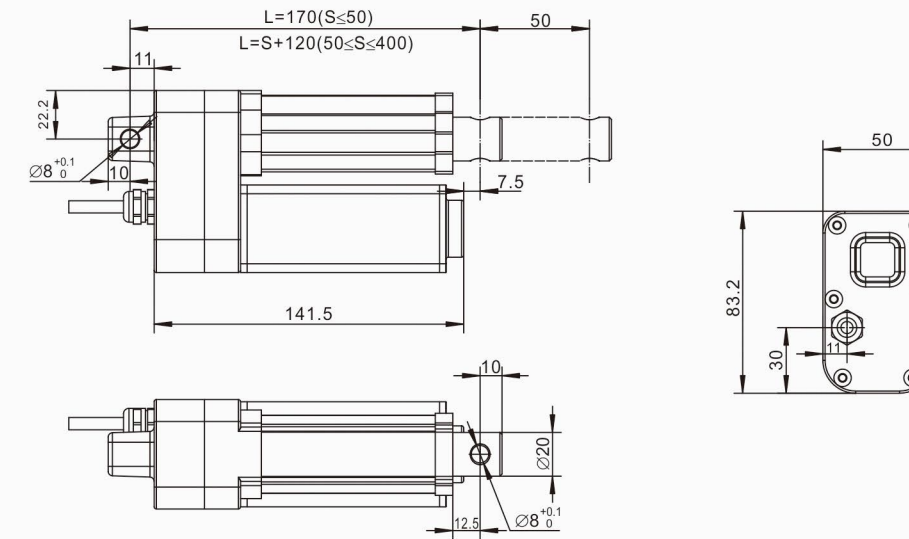
SPECIFICATIONS

Dynamic Load Push	(N)	3000
Dynamic Load Pull	(N)	3000
Static Load Push*	(N)	3000
Static Load Pull*	(N)	3000
Input	(VDC)	24/12
Speed at Full Load	(mm/s)	5.5
Stroke Length	(mm)	50~300
Colour		Black
Limit Switch		Build-in
Duty Cycle		10%, max 2min. continuous use
IP Grade		Up to IP67
Operating Temperature		-35°C ~ +70°C
Optional Features		Hall sensor option

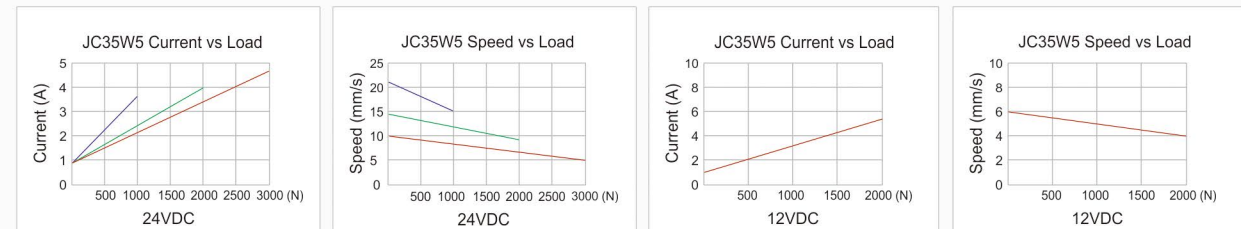
* The values apply when appropriate Jiechang Control Box is used, which short-circuits the motor during stop. Overload protection is set in jiechang's own control box

LINEAR ACTUATORS

DIMENSIONS

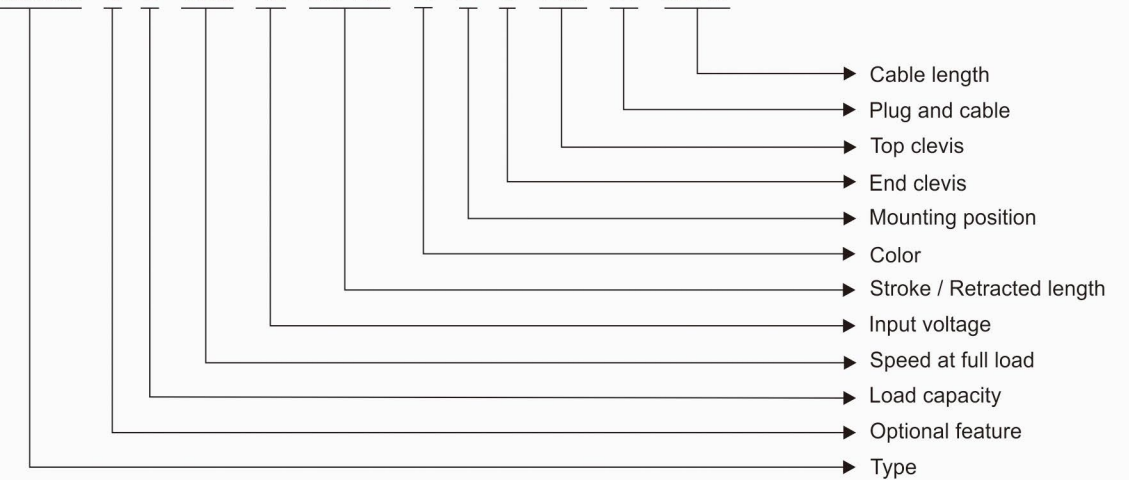


PERFORMANCE



ORDER KEY EXAMPLE

JC35W5 - 0 - 3 - 5D5 - 12 - 50/160 - B - H - 0 - F08 - 34 - 0D28

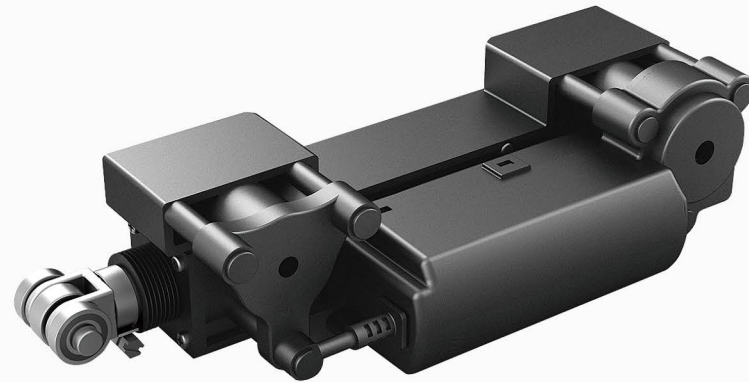


LINEAR ACTUATORS

JC35Z

FEATURES

- Max load capacity 6000N
- Small size and mounting distance
- Low noise
- Apply for smart homecare bed



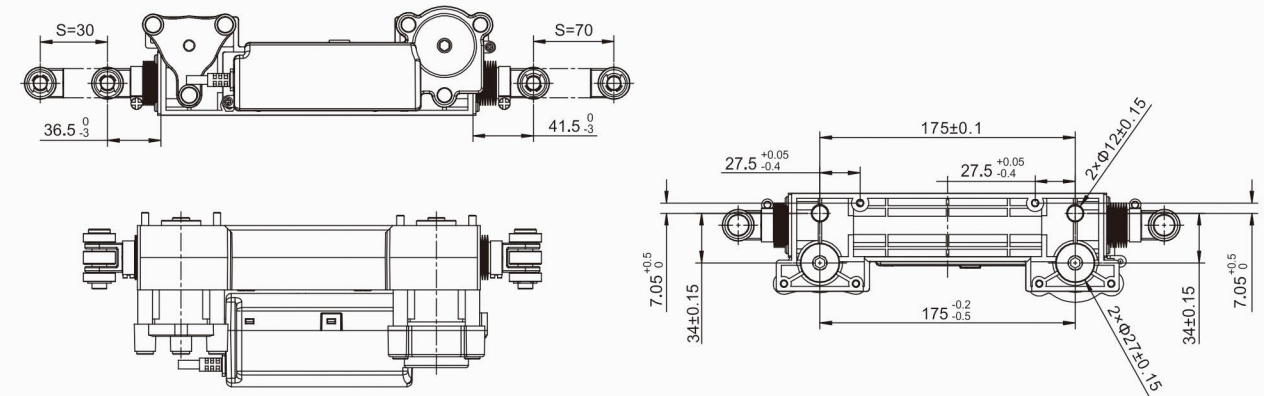
SPECIFICATIONS

Dynamic Load Push	(N)	6000
Static Load Push*	(N)	6000
Input	(VDC)	24
Speed at Full Load	(mm/s)	2.2
Stroke Length	(mm)	30/36.5 or 70/41.5
Mounting position		H type
Colour		Black or Grey
Limit Switch		Build-in
Overload Protection		Yes
Duty Cycle		10%, max 2min. continuous use
IP Grade		IP20
Operating Temperature		+5°C ~ +40°C
Standard		CE

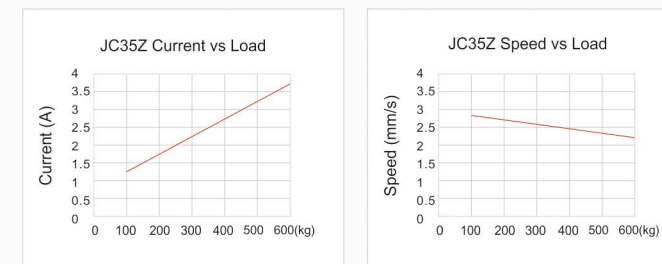
* The values apply when appropriate Jiecang Control Box is used, which short-circuits the motor during stop. Overload protection is set in jiecang's own control box

LINEAR ACTUATORS

DIMENSIONS

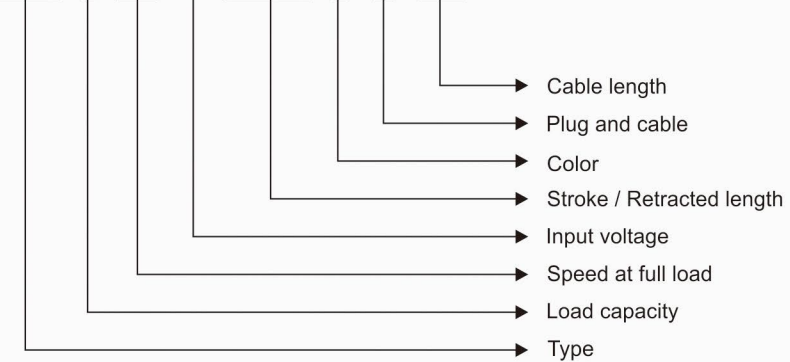


PERFORMANCE



ORDER KEY EXAMPLE

JC35Z - 6 - 2D2 - 24 - 70/41.5 - B - 10 - 1D5



DUAL MOTOR

JC35S10

FEATURES

- Strong and robust design
- 2x 6000N with additional out puts(option)
- RF remote or Wired hand control option



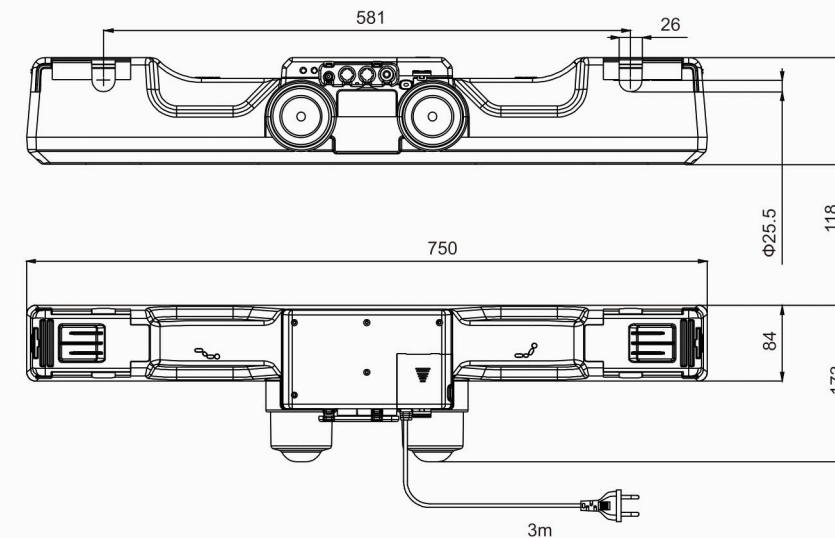
SPECIFICATIONS

Dynamic Load Push (N)	6000×2
Static Load push* (N)	6000×2
Backrest stroke (mm)	max 87
Footrest stroke (mm)	max 69
Main input voltage (VAC)	110/230
Standby power consumption	SMPS, less than 0.5W
Colour	Black or Grey
Mounting position	581 + -3mm
Limit Switch	Built-in
Overload Protection	Yes
Duty Cycle	10%, max, 2min. continuous use
IP Grade	IPX4
Operation Temperature	+5°C ~ +40°C
Optional Features	Reed switch option Control 2 additional single actuators
Special Function	Control 2 massage motors RF remote function Night light function Control 2 x 9V batteries
Standard	CE

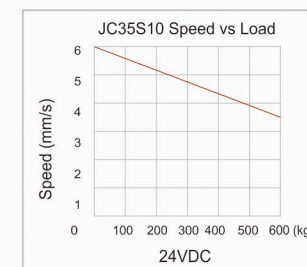
* The values apply when appropriate Jiecang Control Box is used, which short-circuits the motor during stop

DUAL MOTOR

DIMENSIONS

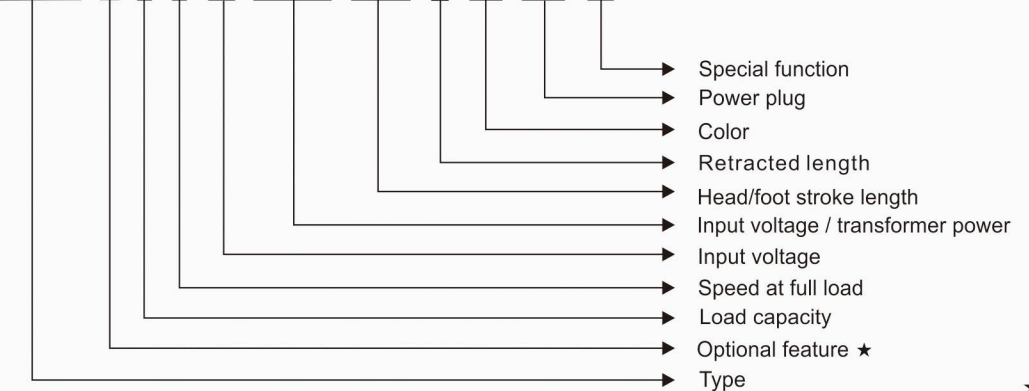


PERFORMANCE



ORDER KEY EXAMPLE

JC35S10 - 0 - 6 - 3 - 24 - 230/70 - 87/69 - B - B2 - 3D0 - 00



★
0 Standard
R Reed switch

JC35M3

FEATURES

- Less weight of 10kg with packing
- Powerful battery can support operating times up to 10 cycles
- Can recline to 45° for comfort



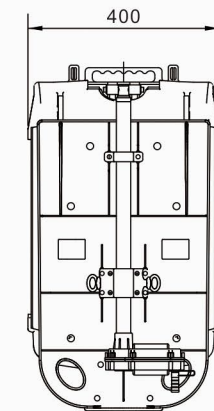
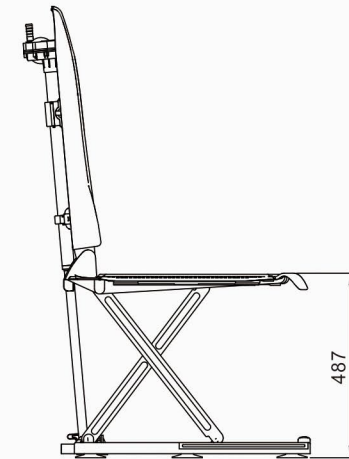
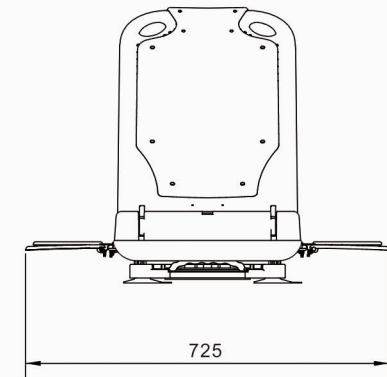
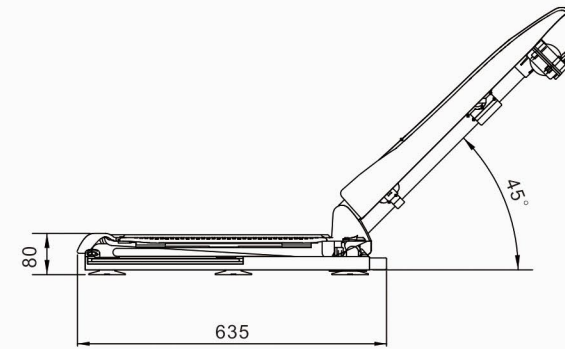
Charger



Handset



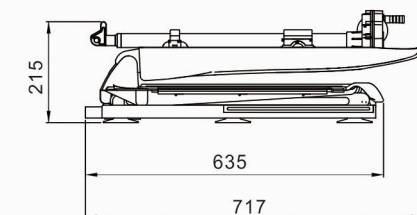
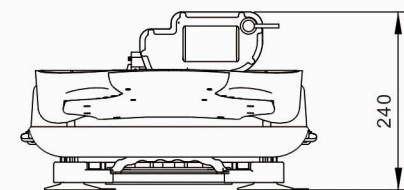
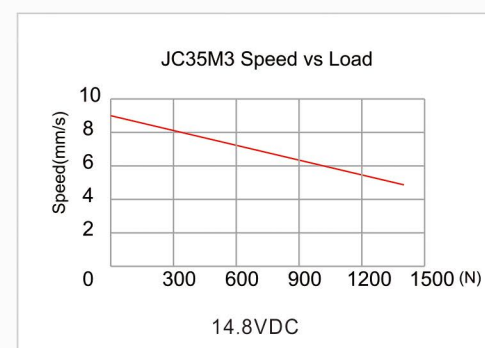
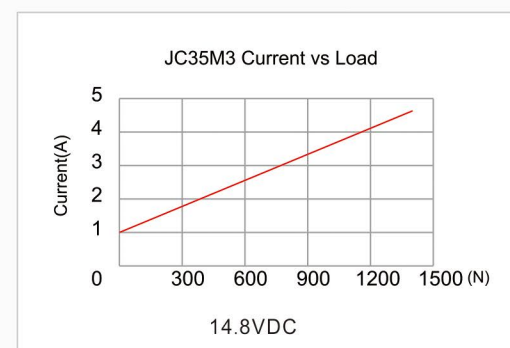
● DIMENSIONS



● SPECIFICATIONS

Input voltage	(VDC)	14.8
Max load	(N)	1400
Speed at Full Load	(mm)	5(under 140kg)
Height of Lowest position	(mm)	80
Height of Highest position	(mm)	487
IP Grade		Max IP66
Voltage of the charger	(VAC)	110-240

● PERFORMANCE



LIFTING COLUMNS

JC35EG

FEATURES

- With strong 3 steel tubes overlapped, the JC35EG column is stable and strong enough for hospital and care beds
- With the Hall sensors built-in, JC35EG columns, together with the JIECANG intelligent control box, handset, foot switch, nurse controller, siderail and other actuators, you can get a complete ICU bed movement system
- EN60601-1/UL60601-1 approval



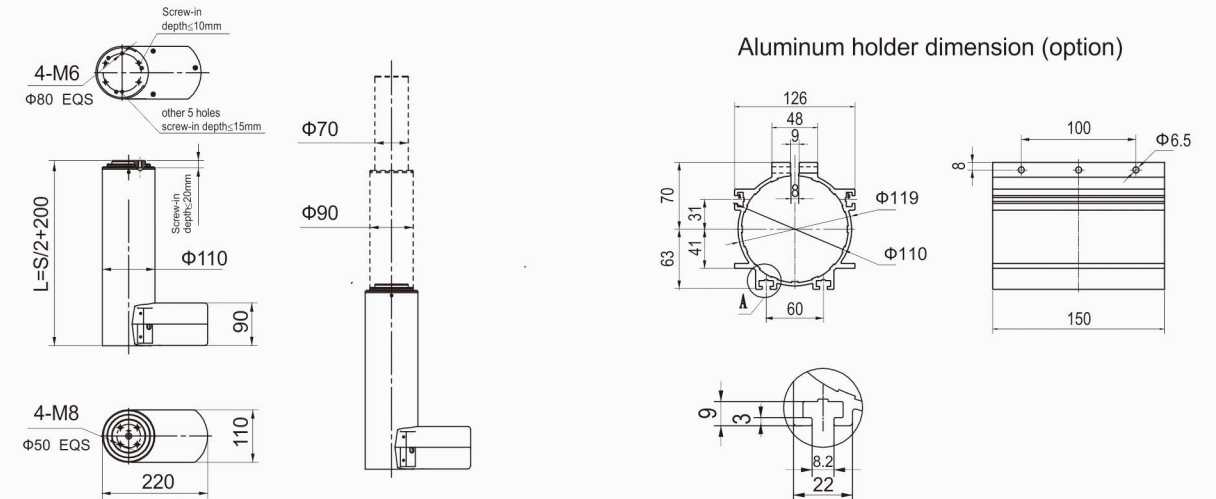
SPECIFICATIONS

Dynamic Load push (N)	2000
Off-center load capacity	max. 1000 N at 400 mm lever arm length
Static Load * (N)	2000
Input (VDC)	24
Speed at Full Load (mm/s)	10
Stroke Length (mm)	400 (option)
Colour	Grey
Mounting	By screws on bottom plate or aluminum holder
Overload Protection	Yes
Limit Switch	Build-in
Duty Cycle	10%, max, 2min. continuous use
Tube Material	Powder Painted Steel Tube
IP Grade	IP54
Operation Temperature	+5°C ~ +40°C
Optional Feature	Hall sensor option
Standard	EN 60601, UL60601

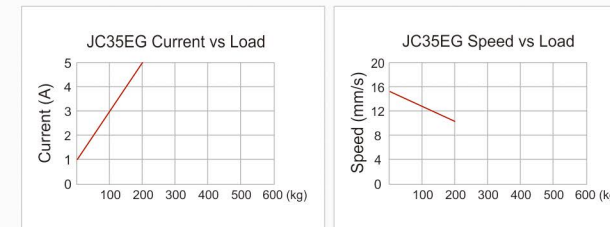
* The values apply when appropriate Jiechang Control Box is used, which short-circuits the motor during stop. Overload protection is set in jiechang's own control box

LIFTING COLUMNS

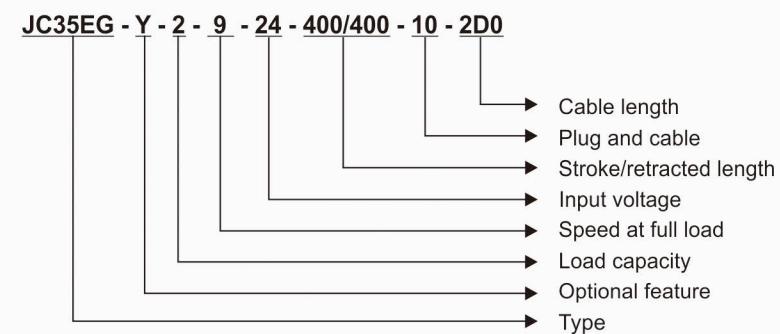
DIMENSIONS



PERFORMANCE



ORDER KEY EXAMPLE



LIFTING COLUMNS

JC35EM-2

FEATURES

- JC35EM-2 column is designed to be used in Hospital beds, Nursing Home beds, Treatment chairs, Couches and Dental chairs
- With the Hall sensors built-in, JC35EM-2 can be operated either as single column or several columns in synchronized movement by choosing a control box with micro-processor



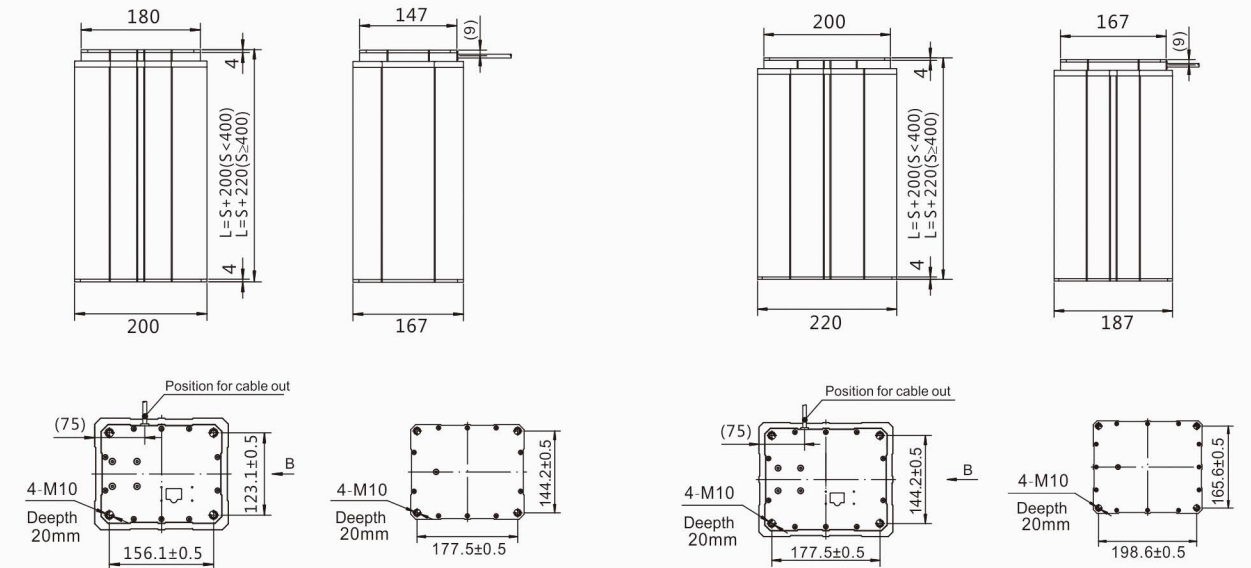
SPECIFICATIONS

Dynamic Load Push (N)	6000	4000	2000
Dynamic Load Pull (N)	6000	4000	2000
Static Load Push * (N)	6000	4000	2000
Static Load Pull * (N)	6000	4000	2000
Input (VDC)	24		
Off-center load capacity	Max. 1000N at 500mm lever arm length		
Speed at Full Load (mm/s)	3	4	9
Stroke Length (mm)	100~400 (option >400)		
Colour	Silver		
Mounting	By screws on the top and bottom plate		
Overload Protection	Yes		
Limit Switch	Build-in		
Duty Cycle	10%, max. 2min. continuous use		
IP Grade	IP54		
Operation Temperature	+5°C ~ +40°C		
Optional Feature	Hall sensor option		
Standard	CE		

* The static load applies when appropriate Jiecang Control-Box is used, which shortcuts the motor during stop. Overload protection is set in jiecang's own control box

LIFTING COLUMNS

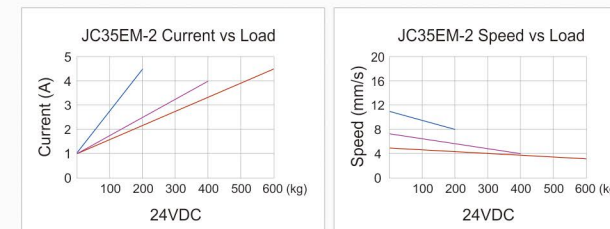
DIMENSIONS



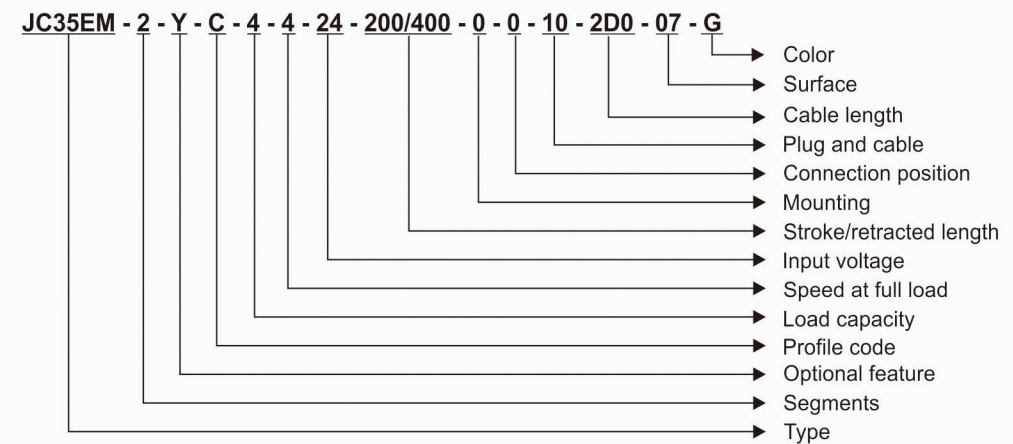
JC35EM-2-C

JC35EM-2-D

PERFORMANCE



ORDER KEY EXAMPLE



LIFTING COLUMNS

JC35EM-3

FEATURES

- JC35EM-3 column is designed to used in Hospital beds, Nursing Home beds, Treatment chairs, Couches and Dental chairs
- Compare with 2-segment column JC35EM-2, JC35EM-3 has 3 segments and will have small installation dimension and higher speed
- With the Hall sensors built-in, JC35EM-3 can be operated either as single column or several columns in synchronized movement by choosing a control box with micro-processor



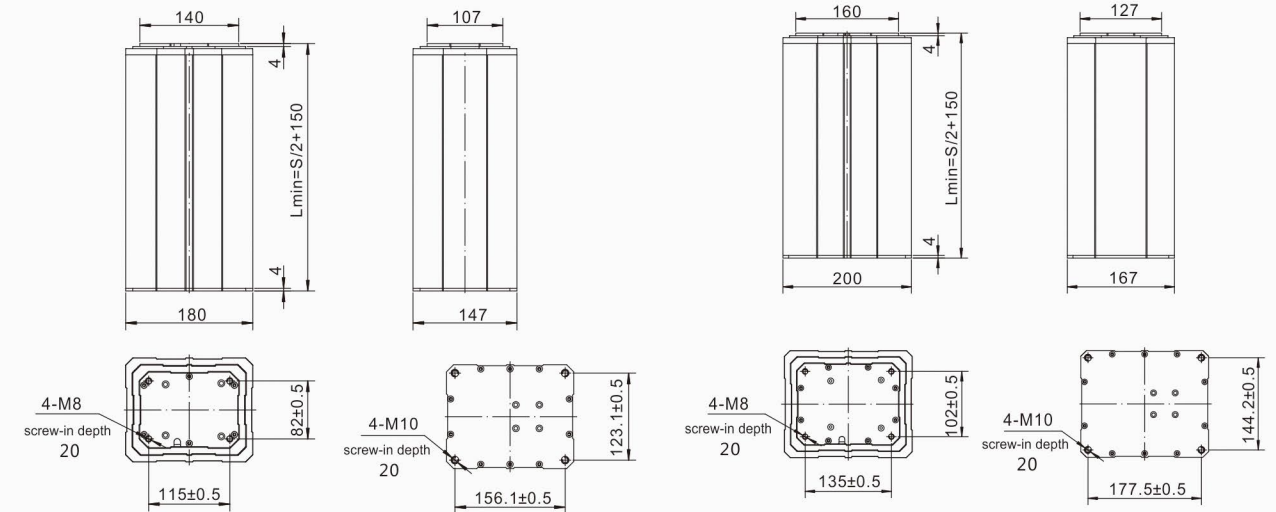
SPECIFICATIONS

Dynamic Load Push (N)	2000
Dynamic Load Pull (N)	2000
Static Load Push * (N)	2000
Static Load Pull * (N)	2000
Input (VDC)	24
Off-center load capacity	Max. 1000N at 500mm lever arm length
Speed at Full Load (mm/s)	10
Stroke Length (mm)	100~400 (option >400)
Colour	Sliver
Mounting	By screws on the top and bottom plate
Overload Protection	Yes
Limit Switch	Build-in
Duty Cycle	10%, max. 2min. continuous use
IP Grade	IP54
Operation Temperature	+5°C ~ +40°C
Optional Feature	Hall sensor option
Standard	CE

* The static load applies when appropriate Jiechang Control-Box is used, which shortcuts the motor during stop.
Overload protection is set in jiechang's own control box

LIFTING COLUMNS

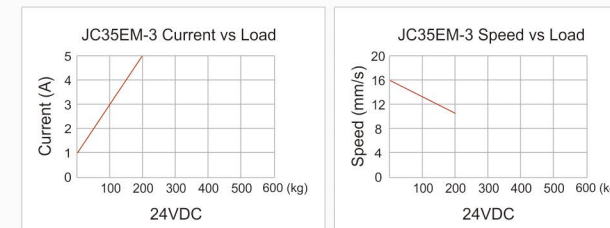
DIMENSIONS



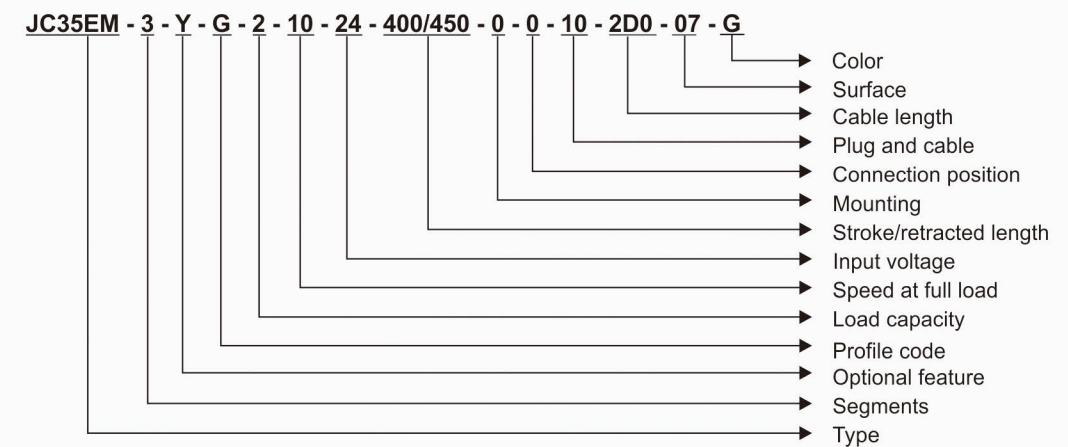
JC35EM-3-E

JC35EM-3-F

PERFORMANCE



DESIGNATION



LIFTING COLUMNS

LIFTING COLUMNS

JC35EN-2

FEATURES

- JC35EN-2 column is designed to be used in Hospital beds, Nursing Home beds, Treatment chairs, Couches and Dental chairs
- With the Hall sensors built-in, JC35EN-2 can be operated either as single column or several columns in synchronized movement by choosing a control box with micro-processor

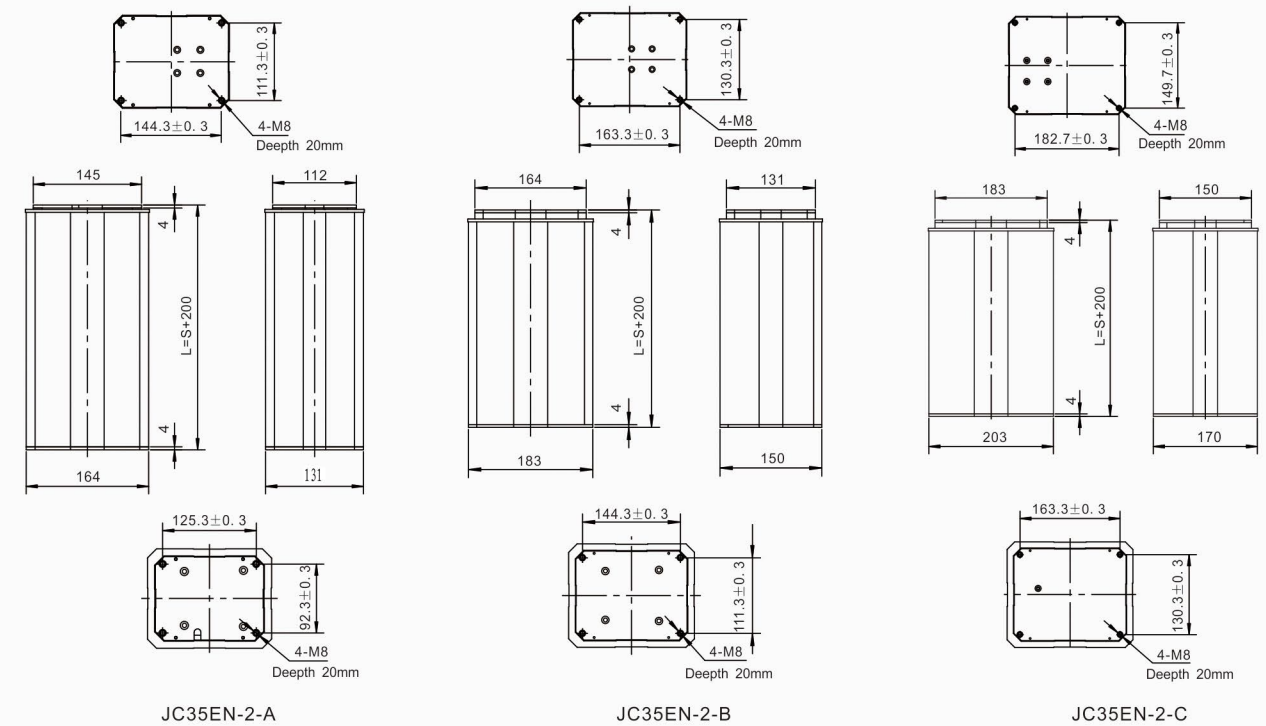


SPECIFICATIONS

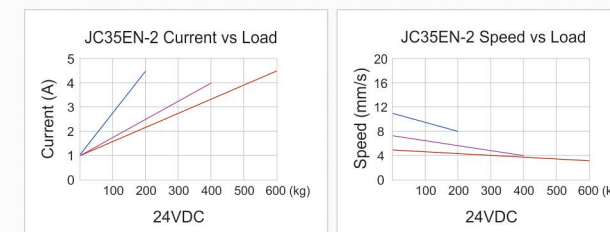
Dynamic Load Push (N)	6000	4000	2000
Dynamic Load Pull (N)	6000	4000	2000
Static Load Push * (N)	6000	4000	2000
Static Load Pull * (N)	6000	4000	2000
Input (VDC)	24		
Off-center load capacity	Max. 1000N at 500mm lever arm length		
Speed at Full Load (mm/s)	3	4	9
Stroke Length (mm)	100~400 (option >400)		
Colour	Silver		
Mounting	By screws on the top and bottom plate		
Overload Protection	Yes		
Limit Switch	Build-in		
Duty Cycle	10%, max. 2min. continuous use		
IP Grade	IP54		
Operation Temperature	+5°C ~ +40°C		
Optional Feature	Hall sensor option		
Standard	CE		

* The static load applies when appropriate Jiechang Control-Box is used, which shortcuts the motor during stop.
Overload protection is set in jiechang's own control box

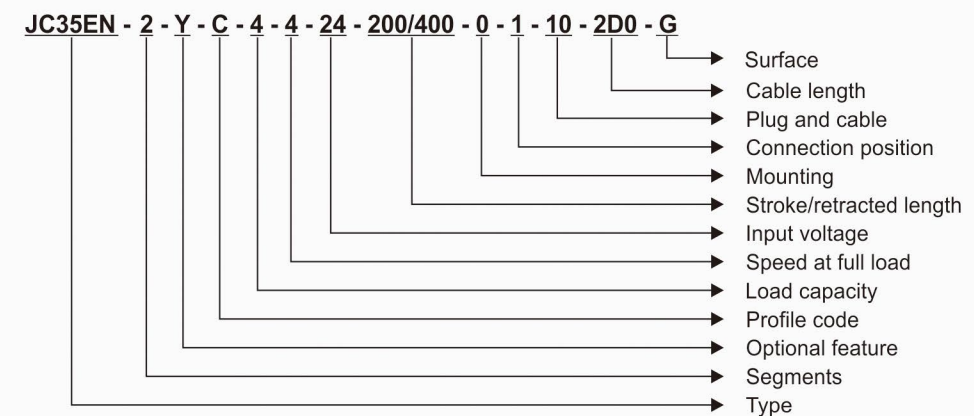
DIMENSIONS



PERFORMANCE



DESIGNATION



LIFTING COLUMNS

JC35EN-3A

FEATURES

- JC35EN-3A column is designed to be used in Hospital beds, Nursing Home beds, Treatment chairs, Couches and Dental chairs
- Compare with 2-segment column JC35EN-2, JC35EN-3A has 3 segments and will have small installation dimension and higher speed
- With the Hall sensors built-in, JC35EN-3A can be operated either as single column or several columns in synchronized movement by choosing a control box with micro-processor



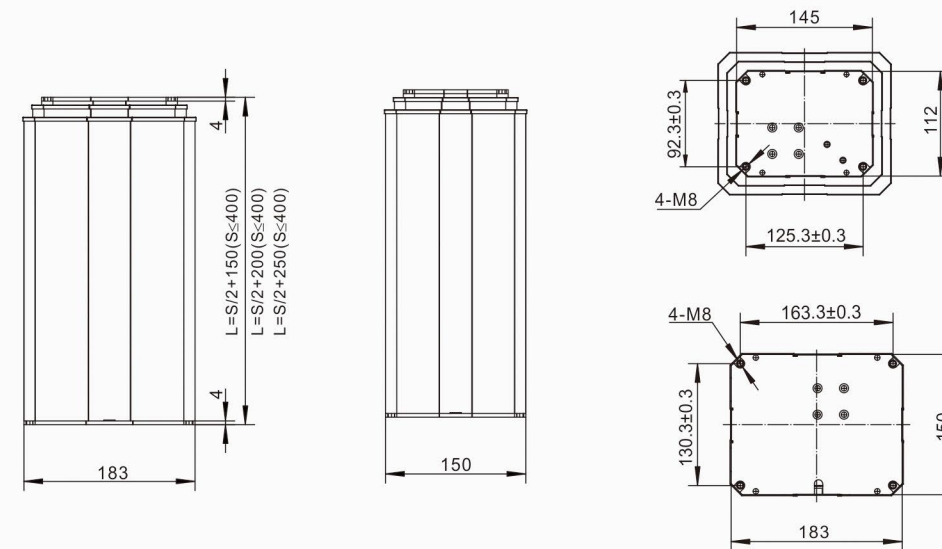
SPECIFICATIONS

Dynamic Load Push (N)	6000	4000	2000
Dynamic Load Pull (N)	6000	4000	2000
Static Load Push * (N)	6000	4000	2000
Static Load Pull * (N)	6000	4000	2000
Input (VDC)	24		
Off-center load capacity	Max. 1000N at 500mm lever arm length		
Speed at Full Load (mm/s)	5.5	9	12
Stroke Length (mm)	100~400 (option >400)		
Colour	Sliver		
Mounting	By screws on the top and bottom plate		
Overload Protection	Yes		
Limit Switch	Build-in		
Duty Cycle	10%, max. 2min. continuous use		
IP Grade	IP54		
Operation Temperature	+5°C ~ +40°C		
Optional Feature	Hall sensor option		
Standard	CE		

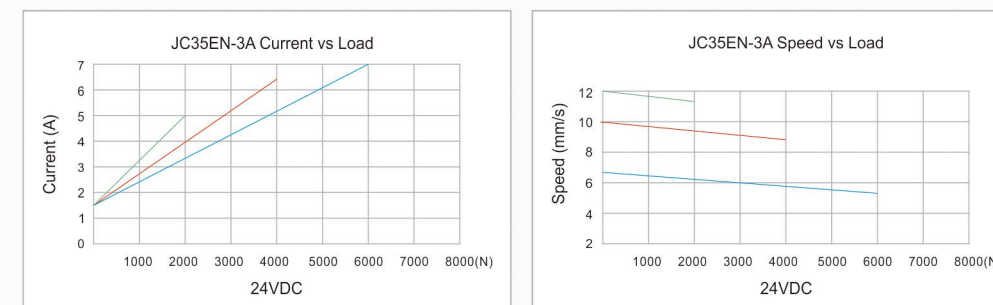
* The static load applies when appropriate Jiechang Control-Box is used, which shortcuts the motor during stop. Overload protection is set in jiechang's own control box

LIFTING COLUMNS

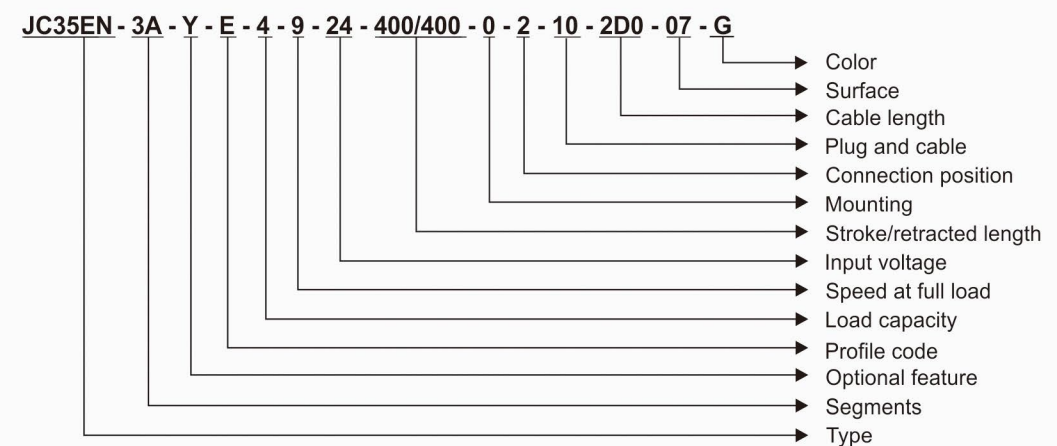
DIMENSIONS



PERFORMANCE



DESIGNATION



LIFTING COLUMNS

JC35ER-2

FEATURES

- JC35ER-2 column is designed for a wide range of workstation applications, like computer workstations, work benches, assembly desks, kitchens and monitor lift
- With the Hall sensors built-in, JC35ER-2 can be operated either as single column or several columns in synchronized movement by choosing a control box with micro-processor



SPECIFICATIONS

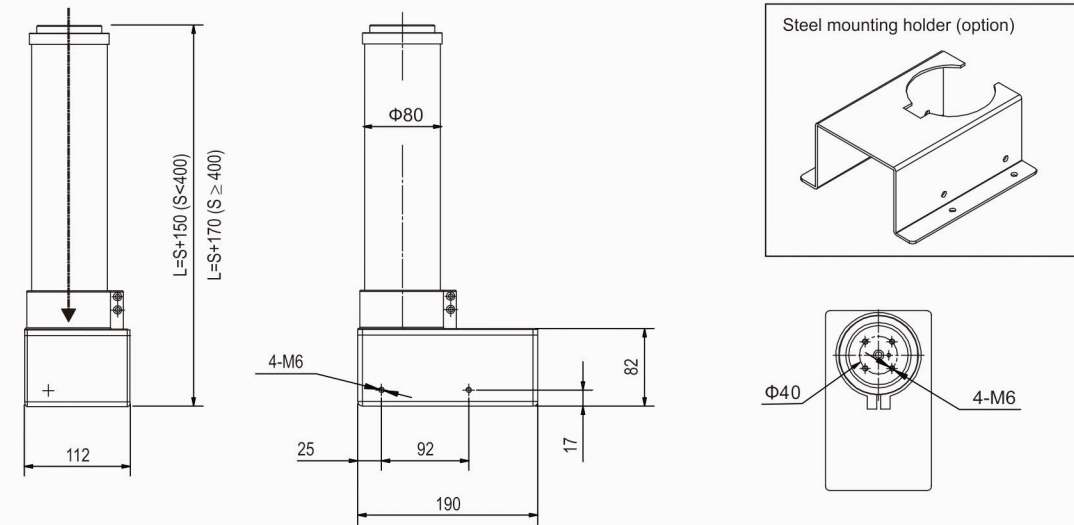
Dynamic Load Push (N)	4000	2000
Dynamic Load Pull (N)	4000	2000
Static Load Push * (N)	4000	2000
Static Load Pull * (N)	4000	2000
Input (VDC)	24	
Speed at Full Load (mm/s)	4	9
Input (VDC)	12	
Speed at Full Load (mm/s)	3.5	5
Stroke Length (mm)	100~400 (option >400)	
Colour	Sliver	
Mounting	By screws on the side directly or by holder (option)	
Overload Protection	Yes	
Limit Switch	Build-in	
Duty Cycle	10%, max, 2min. continuous use	
IP Grade	IP43	
Operation Temperature	+5°C ~+40°C	
Optional Feature	Hall sensors option	
Standard	CE / UL	

* The values apply when appropriate Jiecang Control Box is used, which short-circuits the motor during stop. Overload protection is set in jiecang's own control box

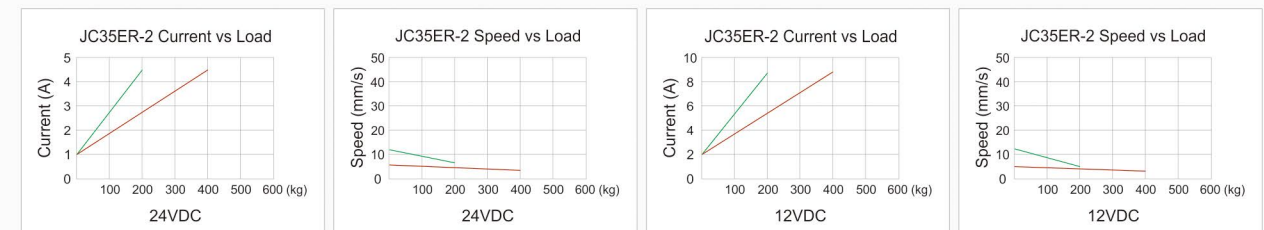
⚠ JC35ER-2 can be mounted upside down on the ceiling. For safety, the max load should not be more than 50kgs.

LIFTING COLUMNS

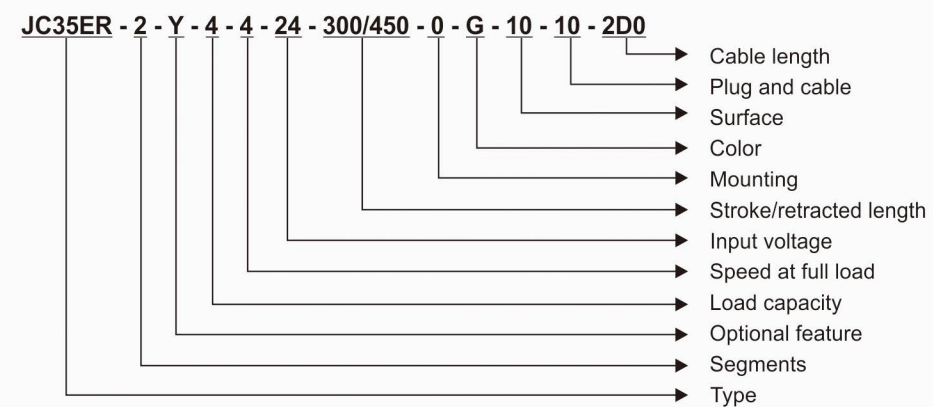
DIMENSIONS



PERFORMANCE



DESIGNATION



LIFTING COLUMNS

JC35ER-3

FEATURES

- JC35ER-3 column is designed for a wide range of workstation applications, like computer workstations, work benches, assembly desks, kitchens or TV lift
- 3 segment columns have smaller installation dimensions and higher speed
- With the Hall sensors built-in, JC35ER-3 can be operated either as single column or several columns in synchronized movement by choosing a control box with micro-processor



SPECIFICATIONS

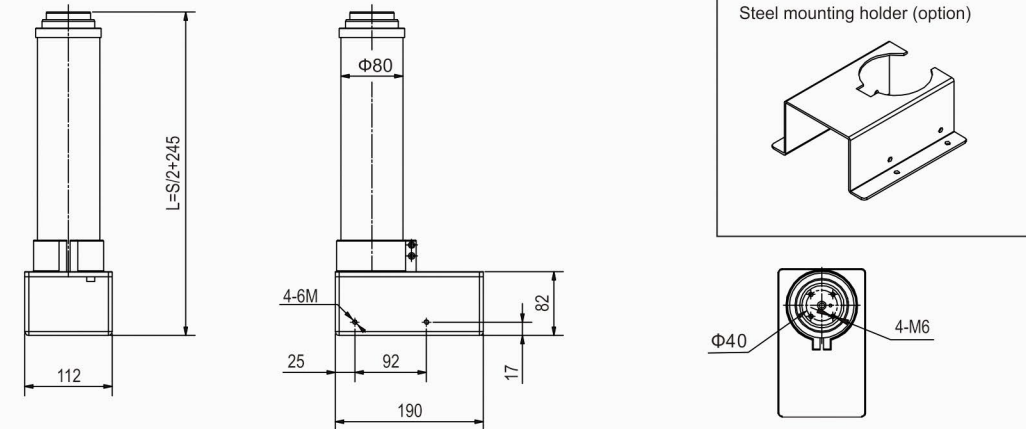
Dynamic Load Push (N)	1200
Dynamic Load Pull (N)	1200
Static Load Push * (N)	1200
Static Load Pull * (N)	1200
Input (VDC)	24
Speed at Full Load (mm/s)	10
Input (VDC)	12
Speed at Full Load (mm/s)	8
Stroke Length (mm)	100~400 (option >400)
Colour	Sliver
Mounting	By screws on the side directly or by holder (option)
Overload Protection	Yes
Limit Switch	Build-in
Duty Cycle	10%, max, 2min. continuous use
IP Grade	IP43
Operation Temperature	+5°C ~ +40°C
Optional Feature	Hall sensors option
Standard	CE / UL

* The values apply when appropriate Jiecang Control Box is used, which short-circuits the motor during stop. Overload protection is set in jiecang's own control box

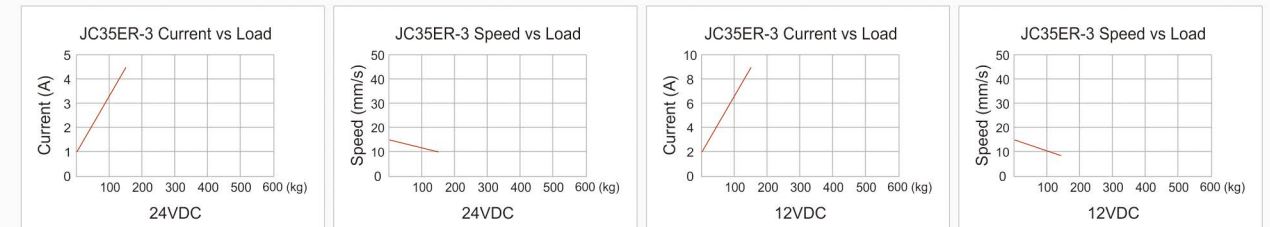
△ JC35ER-3 can be mounted upside down on the ceiling. For safety, the max load should not be more than 50kgs.

LIFTING COLUMNS

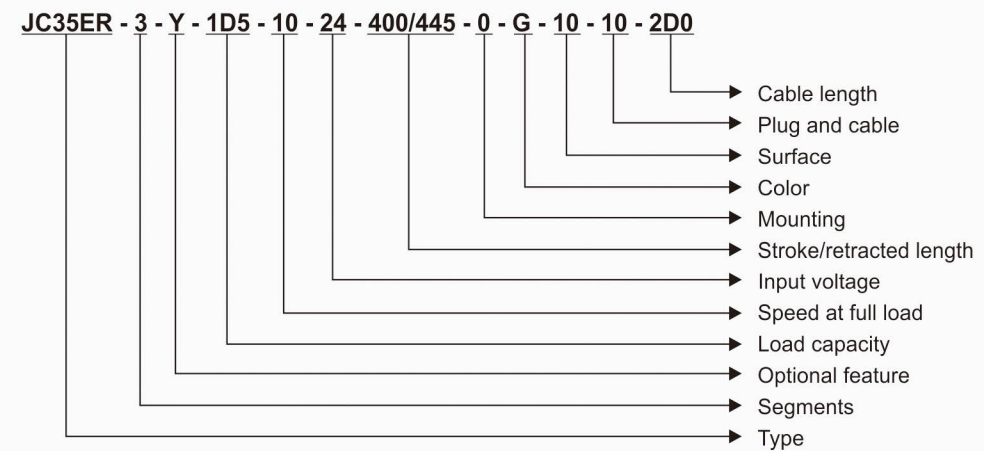
DIMENSIONS



PERFORMANCE



DESIGNATION



LIFTING COLUMNS

JC35ES-2

FEATURES

- JC35ES-2 column is designed for a wide range of workstation applications, like computer workstations, work benches, assembly desks or kitchens
- With the Hall sensors built-in, JC35ES-2 can be operated either as single column or several columns in synchronized movement by choosing a control box with micro-processor



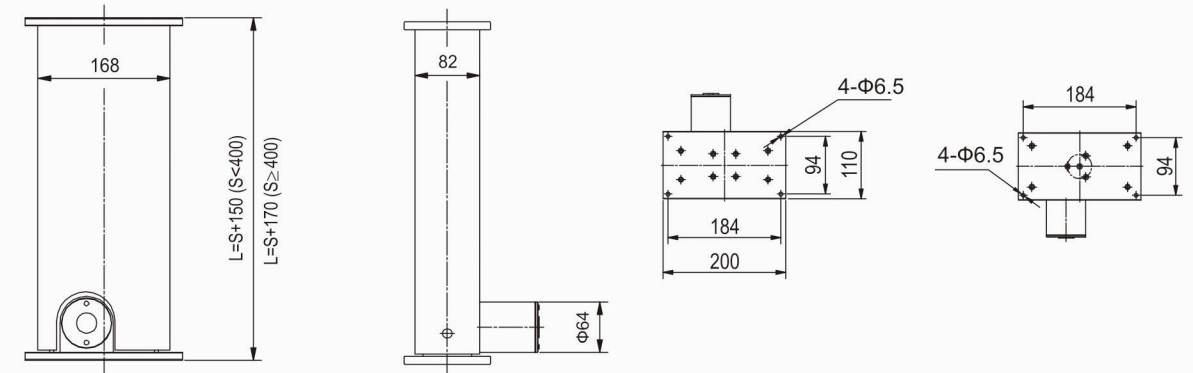
SPECIFICATIONS

Dynamic Load Push (N)	6000	4000	2000
Dynamic Load Pull (N)	6000	4000	2000
Static Load Push * (N)	6000	4000	2000
Static Load Pull * (N)	6000	4000	2000
Input (VDC)	24		
Speed at Full Load (mm/s)	3	4	9
Input (VDC)	12		
Speed at Full Load (mm/s)	3	4	5
Stroke Length (mm)	100~400 (option >400)		
Colour	Black or Grey		
Mounting	By screws on the top and bottom plate (option)		
Overload Protection	Yes		
Limit Switch	Build-in		
Duty Cycle	10%, max, 2min. continuous use		
IP Grade	IP43		
Operation Temperature	+5°C ~ +40°C		
Optional Feature	Hall sensors option		
Standard	UL60601 / CE		

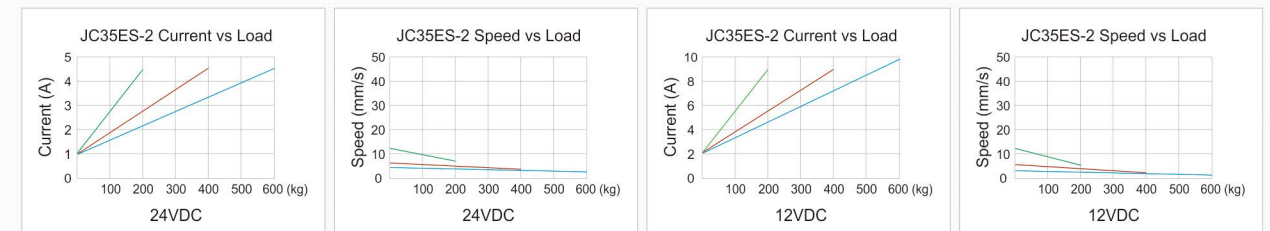
* The values apply when appropriate Jiecang Control Box is used, which short-circuits the motor during stop. Overload protection is set in jiecang's own control box

LIFTING COLUMNS

DIMENSIONS

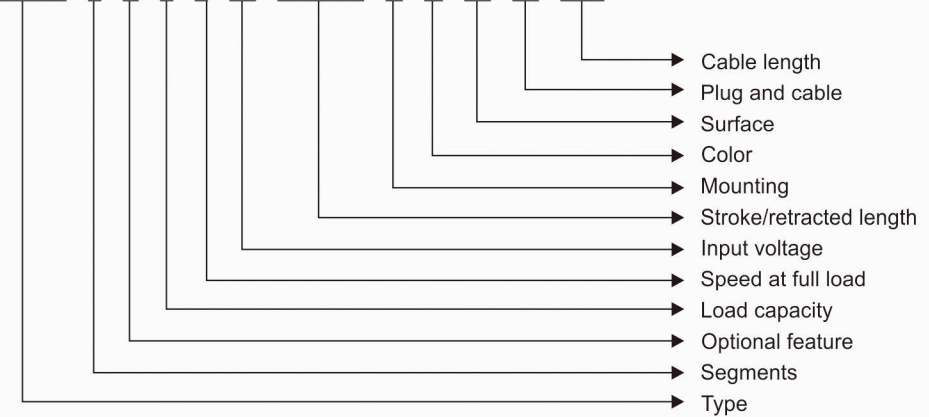


PERFORMANCE



DESIGNATION

JC35ES - 2 - Y - 4 - 4 - 24 - 200/350 - A - G - 10 - 10 - 2D0



LIFTING COLUMNS

JC35ES-3

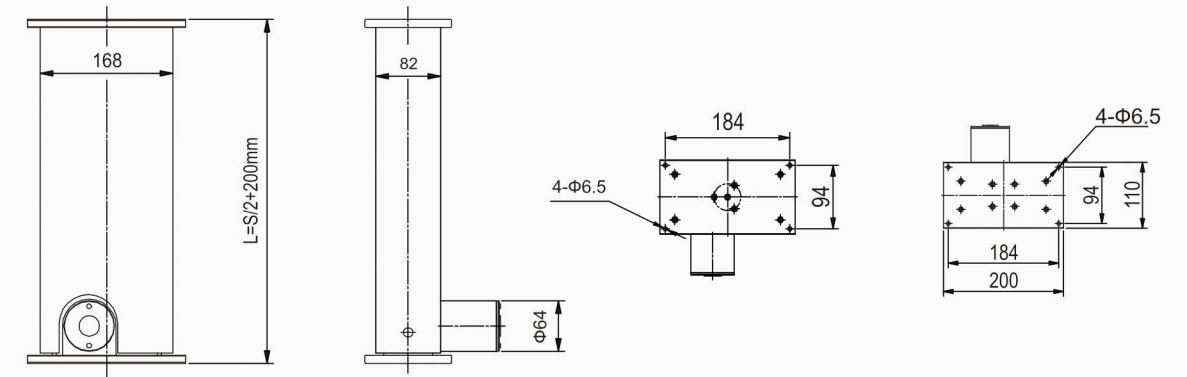
FEATURES

- JC35ES-3 column is designed for a wide range of workstation applications, like computer workstations, work benches, assembly desks, kitchens or TV lift
- 3 segment columns have smaller installation dimensions and higher speed
- With the Hall sensors built-in, JC35ES-3 can be operated either as single column or several columns in synchronized movement by choosing a control box with micro-processor



LIFTING COLUMNS

DIMENSIONS

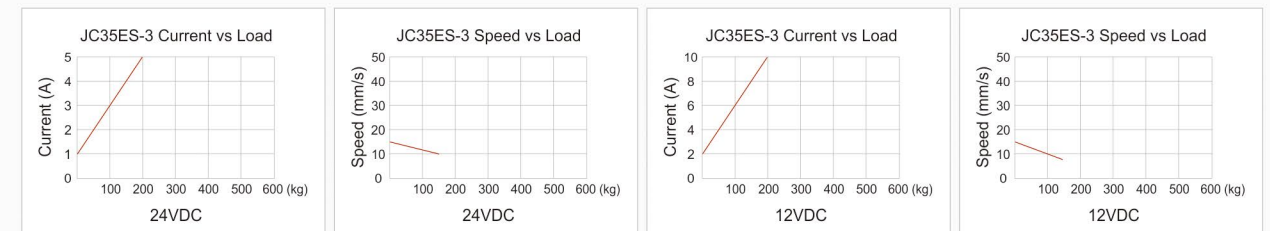


SPECIFICATIONS

Dynamic Load Push (N)	2000
Static Load Push * (N)	2000
Static Load Pull * (N)	2000
Input (VDC)	24
Speed at Full Load (mm/s)	10
Input (VDC)	12
Speed at Full Load (mm/s)	7
Stroke Length (mm)	100~400 (option >400)
Colour	Black or Grey
Mounting	By screws on the top and bottom plate (option)
Overload Protection	Yes
Limit Switch	Build-in
Duty Cycle	10%,max. 2min. continuous use
IP Grade	IP43
Operation Temperature	+5°C ~ +40°C
Optional Feature	Hall sensors option
Standard	UL60601 / CE

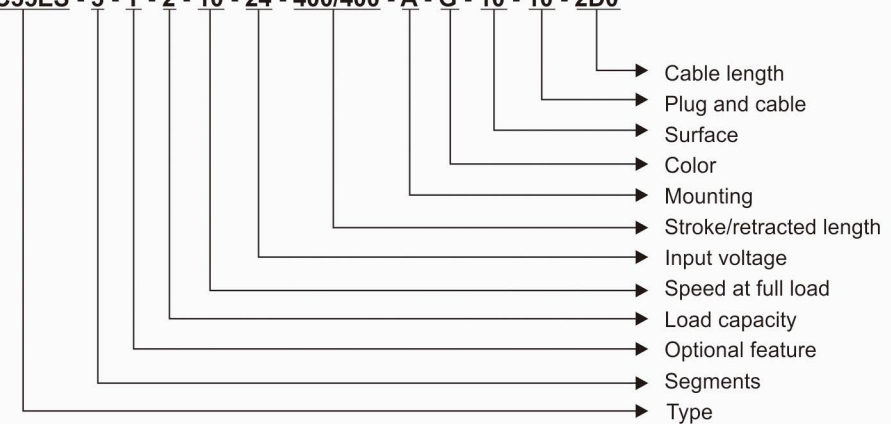
* The values apply when appropriate Jiechang Control Box is used, which short-circuits the motor during stop. Overload protection is set in jiechang's own control box

PERFORMANCE



DESIGNATION

JC35ES - 3 - Y - 2 - 10 - 24 - 400/400 - A - G - 10 - 10 - 2D0



CONTROL BOXES

JCR35 JCB1

FEATURES

- There is no power supply inside. It should be supply from outside, like SMPS and battery



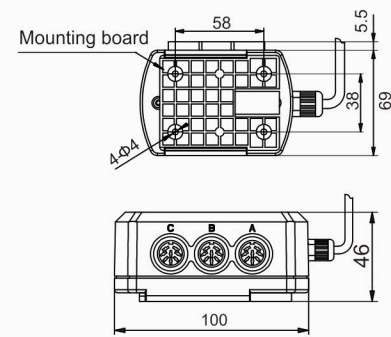
JCR35

JCB1

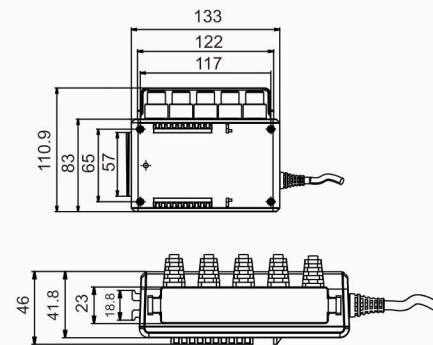
SPECIFICATIONS

	JCR35	JCB1		JCR35	JCB1
Number of actuator outputs	1-2 outputs	1-4 outputs	Duty Cycle	10%, max 2min. continuous use	
Output Voltage (VDC)	24		Overload Protection	PTC	
Actuator plugs	DIN 4 M bend plug		Cable length	0.3m	
Hand/Foot-Control plugs	Maletti bend plug		IP Grade	IP54	
Power plug	01s		Ambient temperature	+5°C ~ +40°C	
Colour	Black or Grey		Standard	CE	

DIMENSIONS



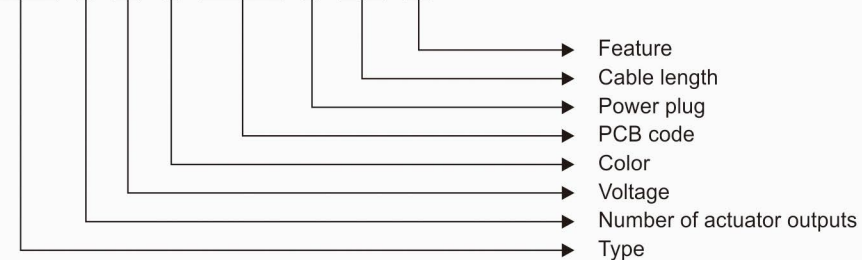
JCR35



JCB1

ORDER KEY EXAMPLE

JCR35 - 2 - 24 - B - JCR-01 - 1 - 0D3 - 00



CONTROL BOXES

JCB35Q JCB35T

FEATURES

- Connection of max 4 actuators and 1 operating element
- Adjust the voltage 100V to 240V
- Power supply with SMPS, more light and handy
- JCB35Q could mount with actuator D, DF, G, types
- External Battery



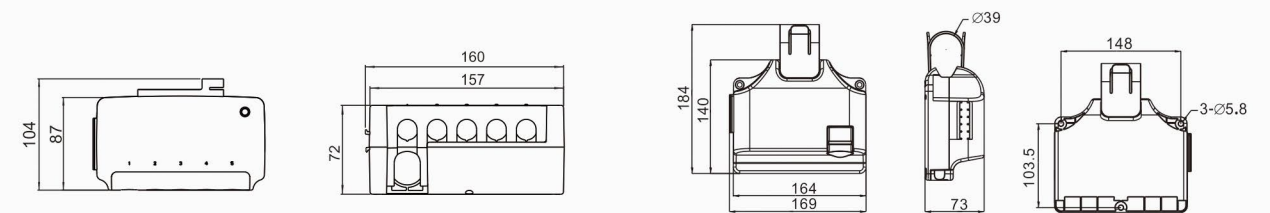
JCB35Q

JCB35T

SPECIFICATIONS

	JCB35Q	JCB35T		JCB35Q	JCB35T
Number of actuator outputs	1-4 outputs		Duty cycle	10%, max 2min. continuous use	
Max Output Voltage (VDC)	29V		Overload protection	PTC protection	Overcurrent protection Overtemperature protection
Input Voltage (VAC)	100-240		Cable length	3m	3m(option)
Transformer power (VA)	50/100		IP Grade	Max IP66	
Actuator plugs	Motor straight Plug		Operation temperature	+5°C ~ +40°C	
Hand/Foot-Control plugs	Motor straight Plug		Standard/Certificate	UL60601 /CE	
Power plug	Option		Other features	Batteries External	
Color	Black or grey			RF receiver built-in	

DIMENSIONS

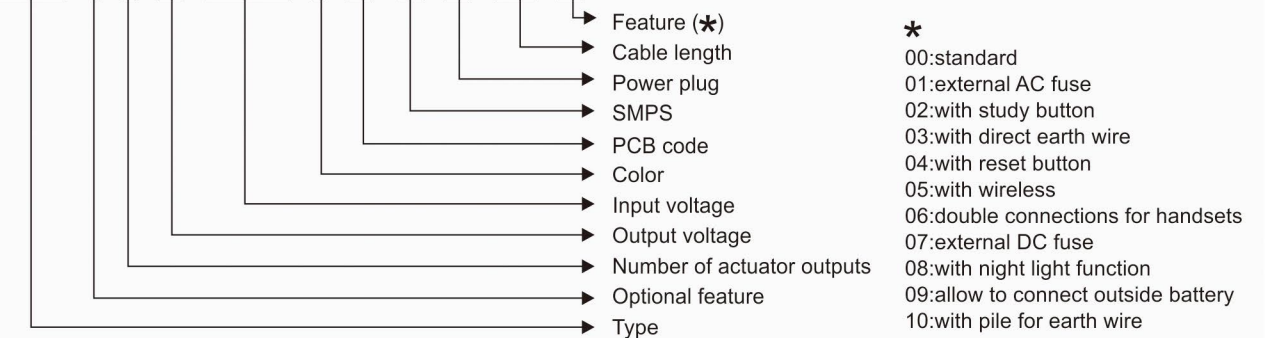


JCB35Q

JCB35T

ORDER KEY EXAMPLE

JCB35Q - 0 - 4 - 24 - 110/230 - B - 02 - 50 - Z3 - 3D0 - 01



CONTROL BOXES

JCB35R

FEATURES

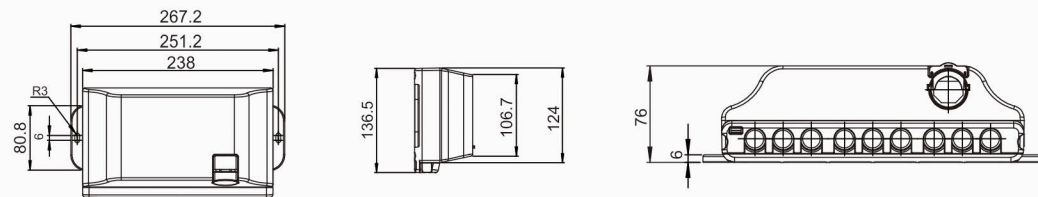
- Connection of max 6 actuators and 1 operating element
- Adjust the voltage 100V to 240V
- Power supply with SMPS, more light and handy



SPECIFICATIONS

Number of actuator outputs	1-6 outputs	Duty Cycle	10%, max 2min. continuous use
Max Output Voltage (VDC)	29	Overload Protection	Overcurrent/Overtemperature protection
Input Voltage (VAC)	110-240	Cable length	3m
Transformer power (VA)	100/200	IP Grade	Max IP66
Actuator plugs	Motor straight Plug	Ambient temperature	+5°C ~ +40°C
Hand/Foot-Control plugs	Motor straight Plug	Standard	UL60601/CE
Power plug	Option	Other features	Batteries External
Colour	Black or grey		RF receiver built-in

DIMENSIONS



ORDER KEY EXAMPLE

JCB35R - 0 - 4 - 24 - 110/230 - G - POWER - 100 - Z3 - 3D0 - 09

- Feature (★)
- Cable length
- Power plug
- SMPS
- PCB code
- Color
- Input voltage
- Output voltage
- Number of actuator outputs
- Optional feature
- Type

- ★
- 00:standard
- 01:external AC fuse
- 02:with study button
- 03:with direct earth wire
- 04:with reset button
- 05:with wireless
- 06:double connections for handsets
- 07:external DC fuse
- 08:with night light function
- 09:allow to connect outside battery
- 10:with pile for earth wire

CONTROL BOXES

JCB35R1

FEATURES

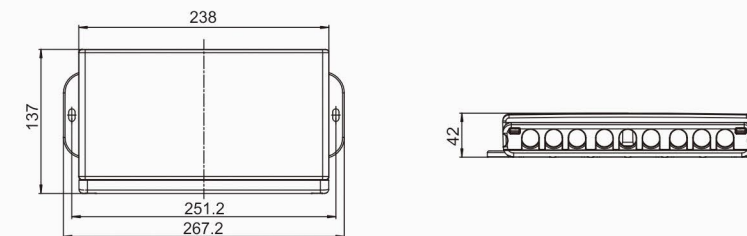
- Input voltage is less than 36VDC, more safe
- With more flat house and easy to mount on the bed
- Power could supply by the battery, better movability



SPECIFICATIONS

Number of actuator outputs	1-6 outputs	Overload Protection	Overcurrent/Overtemperature protection
Input Voltage (VAC)	24 (by SMPS or Battery)	Cable length	2.5m(option)
Actuator plugs	Motor straight Plug	IP Grade	Max IP66
Hand/Foot-Control plugs	Motor straight Plug	Ambient temperature	+5°C ~+40°C
Colour	Black or grey	Standard	UL60601/CE
Duty Cycle	10%, max 2min. continuous use	Other features	Batteries External

DIMENSIONS



ORDER KEY EXAMPLE

JCB35R1 - M - 6 - 24 - 24 - G - (A-M)-6-(JZ-UART)-02-V1-2 - 0 - 0 - 0 - 0

- Feature (★)
- Cable length
- Power plug
- Power
- PCB code
- Color
- Input voltage
- Output voltage
- Number of actuator outputs
- Optional feature
- Type

CONTROL BOXES

JCB35K2-A

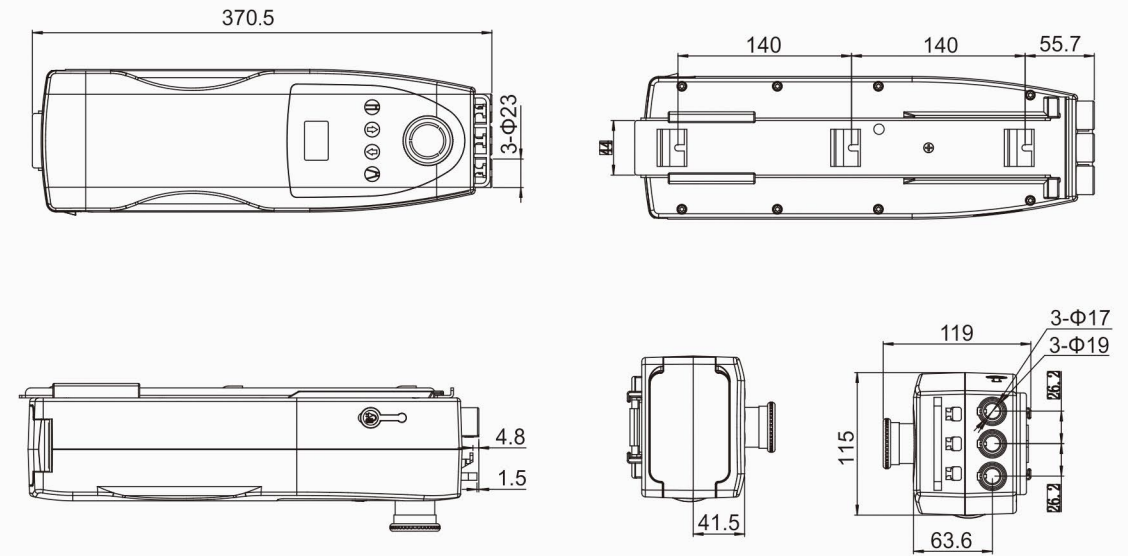
FEATURES

- Wall mount charger
- Li-ion battery 2.2AH or 4.4AH option
- Power indicator both on handset and display, easy to read
- Connection of max 2 actuators and 1 operating element
- Acoustic battery alarm when low power



CONTROL BOXES

DIMENSIONS

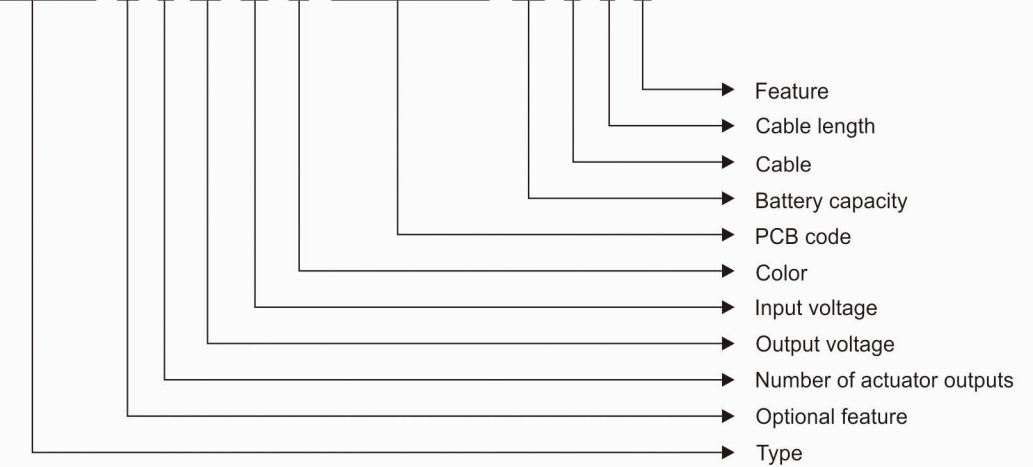


SPECIFICATIONS

Number of actuator outputs	1-2 outputs
Output Voltage (VDC)	24VDC/2.2/4.4Ah lithium batteries
Colour	Grey
Duty Cycle	10%, max 2min. continuous use
Overload Protection	Overcurrent protection, LED indicator
Ambient temperature	+5°C ~ +40°C
Battery energy display	Power indication both on handset and display
Feature	Emergency button to stop the actuator movement
Function	Low power indicator on handset and warning on control box
	Power indication both on handset and display
	Internal charger

ORDER KEY EXAMPLE

JCB35K2-A - M - 2 - 24 - 24 - G - M-2-C-01-V1-2 - 2.2 - 0 - 0 - 0



CONTROL BOXES

JCB35K2-B

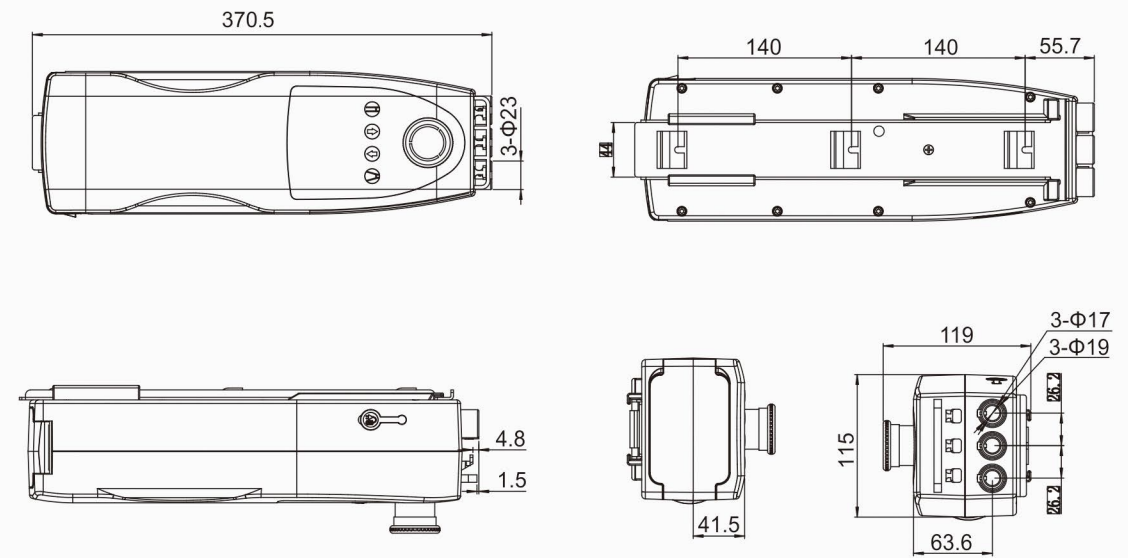
FEATURES

- Wall mount charger
- Li-ion battery 2.2AH or 4.4AH option
- Power indicator on handset, easy to read
- Connection of max 2 actuators and 1 operating element
- Acoustic battery alarm when low power



CONTROL BOXES

DIMENSIONS

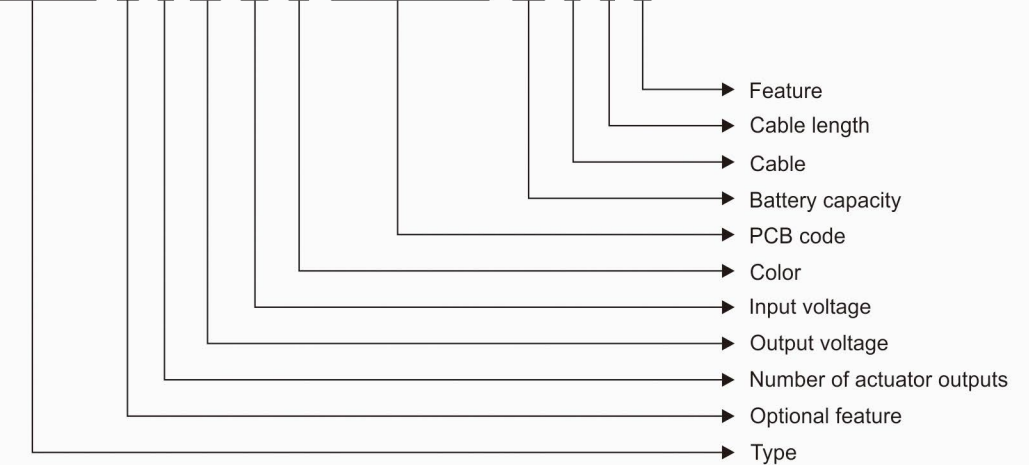


SPECIFICATIONS

Number of actuator outputs	1-2 outputs
Output Voltage (VDC)	24VDC/2.2/4.4Ah lithium batteries
Colour	Grey
Duty Cycle	10%, max 2min. continuous use
Overload Protection	Overcurrent protection, LED indicator
Ambient temperature	+5°C ~ +40°C
Battery energy display	Sectional LED indication
Feature	Emergency button to stop the actuator movement
Function	Low power indicator on handset and warning on control box Internal charger

ORDER KEY EXAMPLE

JCB35K2-B - M - 2 - 24 - 24 - G - M-2-C-01-V1-2 - 2.2 - 0 - 0 - 0



CONTROL BOXES

JCB35K3

FEATURES

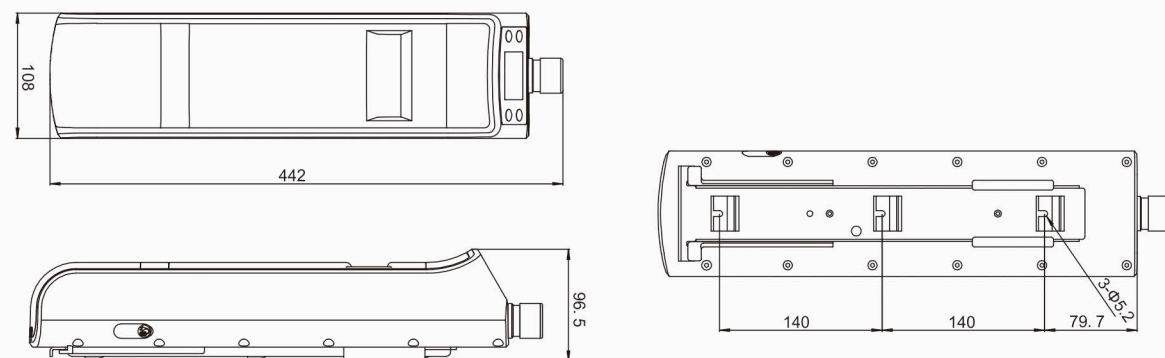
- Special design for patient lift system
- Internal charger or charging cradle is option
- Connection of max 3 actuators and 1 operating element
- With 2.0 inches TFT color screen
- Li-ion battery 2.2AH or 4.4AH



SPECIFICATIONS

Number of actuator outputs	1-3 outputs	Duty Cycle	10%, max 2min. continuous use
Output Voltage (VDC)	25.9VDC/2.2/4.4Ah lithium batteries	Overload Protection	Single-extra protection
Actuator plugs	DIN 6 ET bend plug	Ambient temperature	+5°C~+40°C
Hand/Foot-Control plugs	DIN 10 RJ bend plug	Battery energy display	Power indication both on handset and display
Colour	Blue and White	Low power alarm	Low power indicator on display and acoustic battery alarm
Standard	Max IP66	Feature	Current cut-off in an emergency
Function	1. Indicator on handset, on display and acoustic alarm when low power 2. Power of the battery, movement of actuator, times of channel 1 actuator operate and over load 3. Customer could set the service period and it will warning when it expire 4. Record the times of actuator operate in each service period, easy to check		

DIMENSIONS



CONTROL BOXES

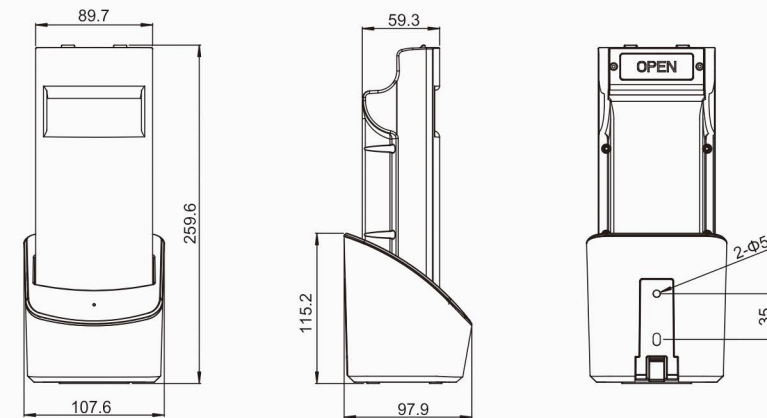
JCB35K3 (Charger)



JCH35A10 (Hand controls)

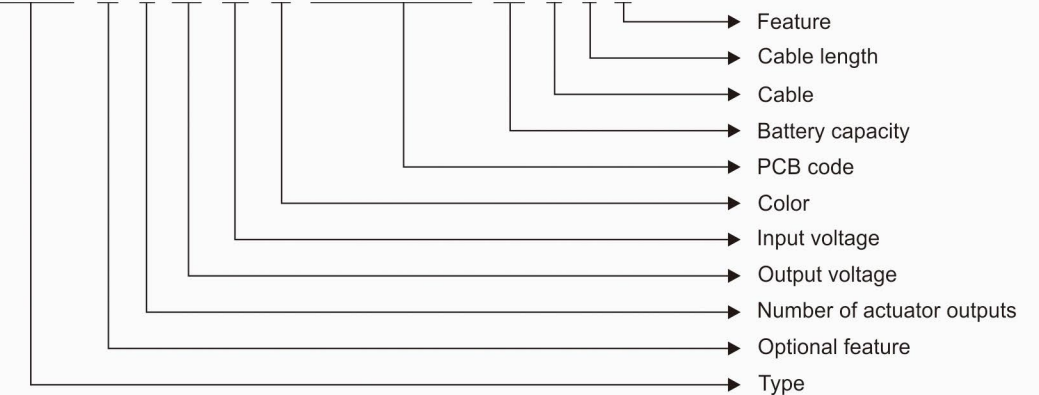


DIMENSIONS



ORDER KEY EXAMPLE

JCB35K3 - M - 2 - 24 - 24 - G - M-2-C-01-V1-2 - 2.2 - 0 - 0 - 0



CONTROL BOXES

JCB35N2

FEATURES

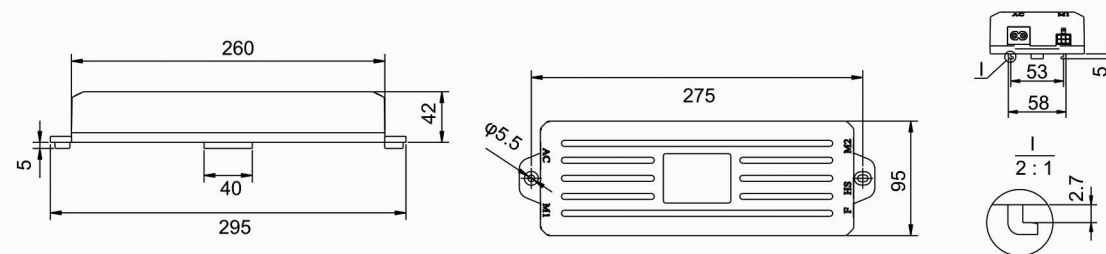
- Low power consumption<0.2W
- Efficient soft start
- Intelligent protection design,auto back tracking against resistance
- Unique design,light and handy



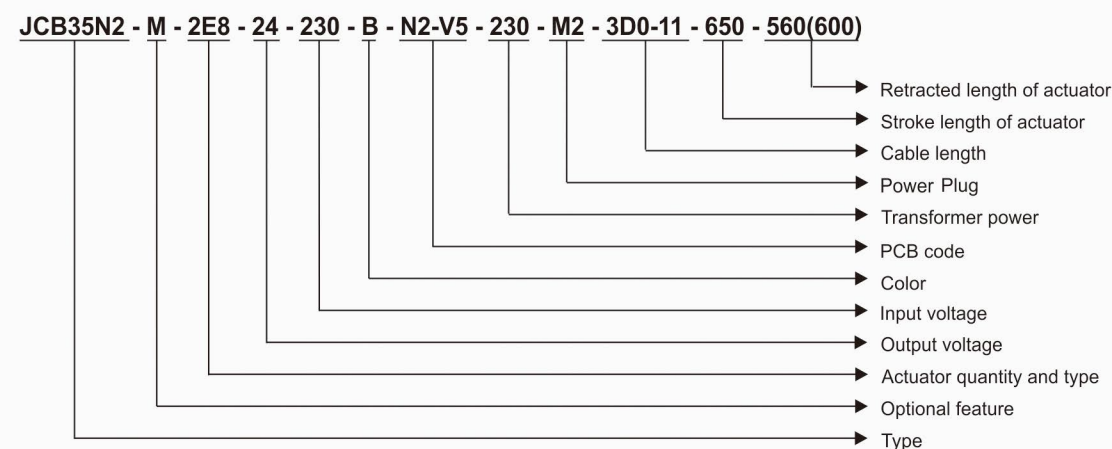
SPECIFICATIONS

Number of actuator outputs	1-2 outputs	Color	Black
Output Voltage (VDC)	33	Duty cycle	S2-20min , max 2min. continuous use
Input Voltage (VAC)	110/230	Overload protection	Current Protection
Transformer power (Watts)	400	Cable length	3m (Option)
Actuator plugs	DIN 6 ET plug	IP Grade	IP20
Hand/Foot-Control plugs	DIN 8 RJ plug	Operation temperature	+5°C-+40°C
Power plug	Option	Standard	UL/TUV-mark(CE)/PSE/KC

DIMENSIONS



ORDER KEY EXAMPLE



CONTROL BOXES

JCB35S

FEATURES

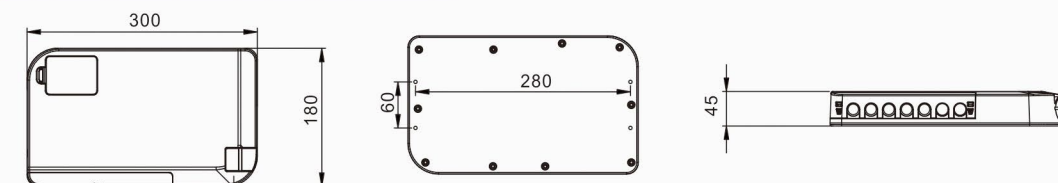
- Connect 1-5 actuators and 1 controller
- Adjust the voltage 100V to 240V
- More flat for the special homecare bed
- Power supply with SMPS, more light and handy



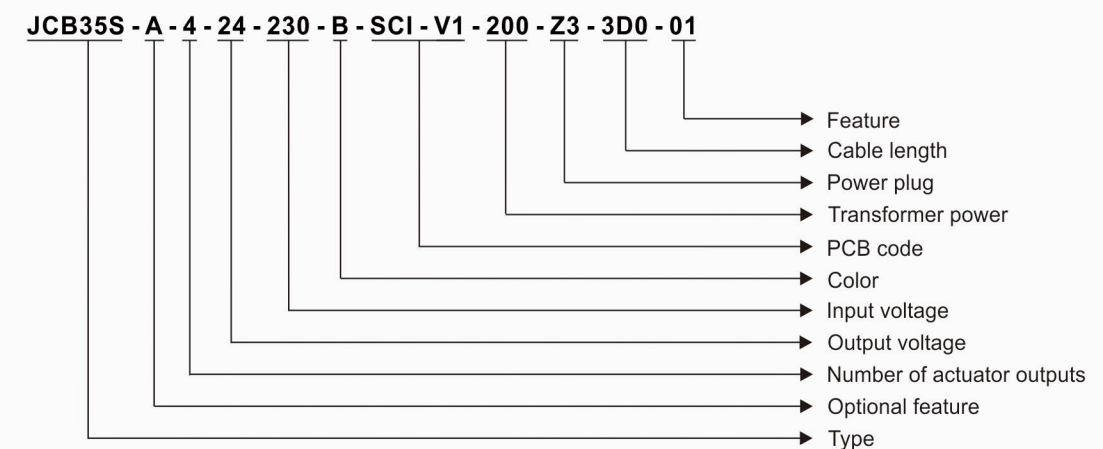
SPECIFICATIONS

Number of actuator outputs	1-5 outputs	Overload protection	Overcurrent/Overtemperature protection
Max Output Voltage (VDC)	29	Cable length	3m
Input Voltage (VAC)	100-240	IP Grade	IP54
Transformer power (VA)	100	Operation temperature	+5°C-+40°C
Actuator plugs	Motor straight Plug	Standard	CE
Hand/Foot-Control plugs	Motor straight Plug	Other features	RF receiver built-in
Power plug	Option		With dry cell
Color	Black or grey		Connect separated battery
Duty cycle	10%, max 2min. continuous use		

DIMENSIONS



ORDER KEY EXAMPLE



HAND/FOOT CONTROLLER

HAND/FOOT CONTROLLER

JCHQ35 JCH35V2

FEATURES

- Economical design for furniture market



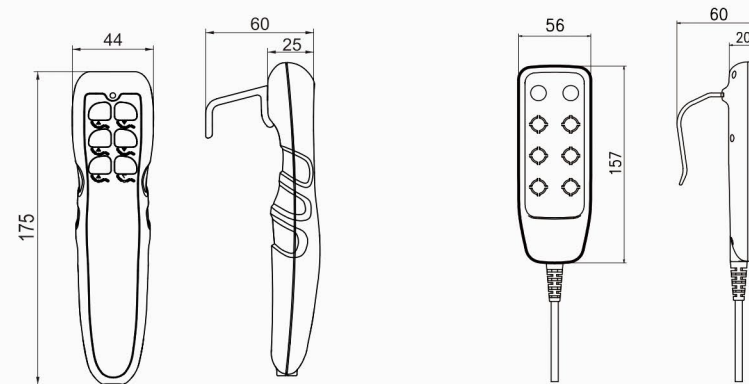
JCHQ35

JCH35V2

SPECIFICATIONS

	JCHQ35	JCH35V2
Actuator Quantity	1-2	1-4
Plug and cable	Option	
Color	Black or Grey	
IP Grade	IP20	IP54
Connection	All of JIECANG control boxes	
Other features	Special design for dual motor system	Can connect with relay free system

DIMENSIONS



JCHQ35

JCH35V2

ORDER KEY EXAMPLE

JCHQ35 - 3 - G - 5G16 - K - 4D0 - L - 3(1+2)

- Work together
- Special function
- Cable length
- Plug and cable
- Panel code
- Color
- Number of button pairs
- Type

JCH35A2 JCH35A4

FEATURES

- Softness handfeel
- Ergonomic design
- Background light optional
- IP66



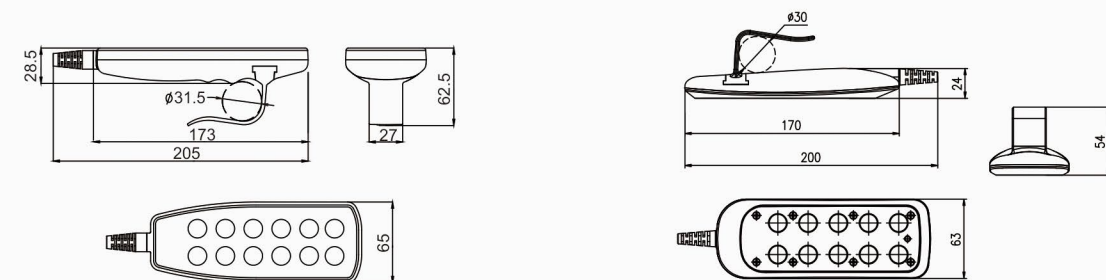
JCH35A2

JCH35A4

SPECIFICATIONS

	JCH35A2	JCH35A4
Actuator quantity	1~6	1~5
Color	Black or Grey	
Plug and cable	Option	
IP Grade	IP54	
Connection	All of JIECANG control boxes	
Other Features	Background light	

DIMENSIONS



JCH35A2

JCH35A4

ORDER KEY EXAMPLE

JCH35A4 - A - 5 - B - 5G1 - L - 4D0 - L - 3(1+2)4(3+4)5(3-4)

- Work together
- Special function
- Cable length
- Plug and cable
- Panel code
- Color
- Number of button pairs
- A:with background;B:without background
- Type

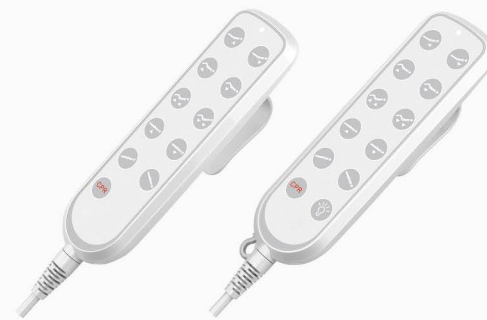
HAND/FOOT CONTROLLER

HAND/FOOT CONTROLLER

JCH35A6

FEATURES

- Softness handfeel
- Background light optional
- With Integrated electrical lock or not
- IP66
- With touch sensitive function



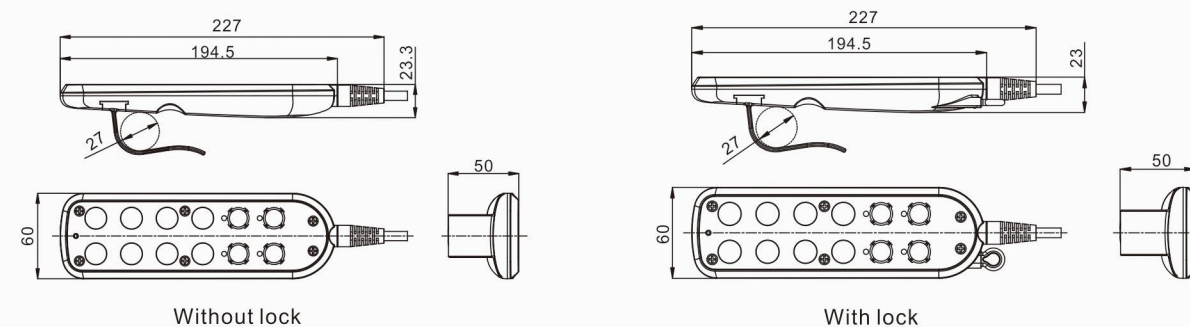
Without lock

With lock

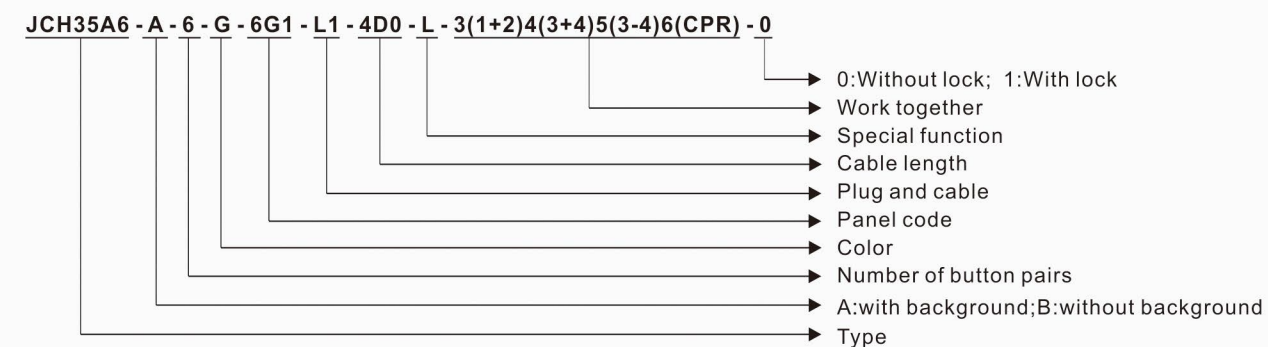
SPECIFICATIONS

Actuator Quantity	1~6
Maximum available buttons	12
Color	Grey
Plug and cable	Option
IP Grade	Max IP66
Connection	All of JIECANG control boxes
Other features	Background light, With Integrated electrical lock or not, With touch sensitive function

DIMENSIONS



ORDER KEY EXAMPLE



JCH35A7

FEATURES

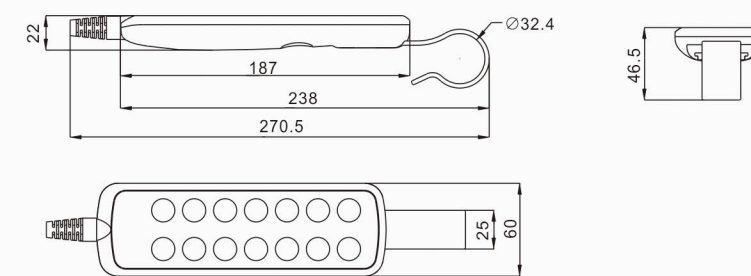
- Softness handfeel
- Background light optional
- IP66



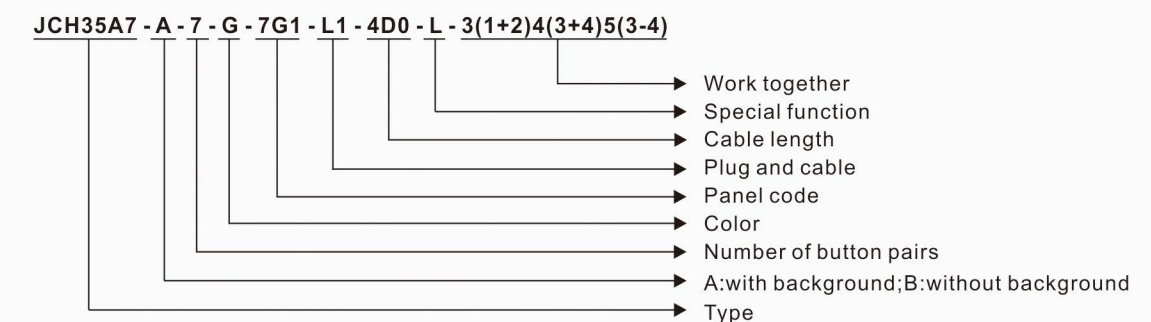
SPECIFICATIONS

Actuator Quantity	1~6
Maximum available buttons	14
Color	Grey
Plug and cable	Option
IP Grade	Max IP66
Connection	All of JIECANG control boxes
Other features	Background light

DIMENSIONS



ORDER KEY EXAMPLE



HAND/FOOT CONTROLLER

HAND/FOOT CONTROLLER

JCH35A8

FEATURES

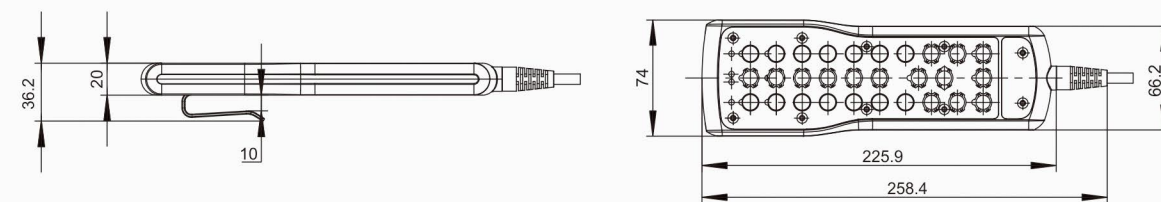
- Special metal hook for operation bed
- Up to 29 buttons to realize more technical function
- Soft-touching case
- With electronic locker



SPECIFICATIONS

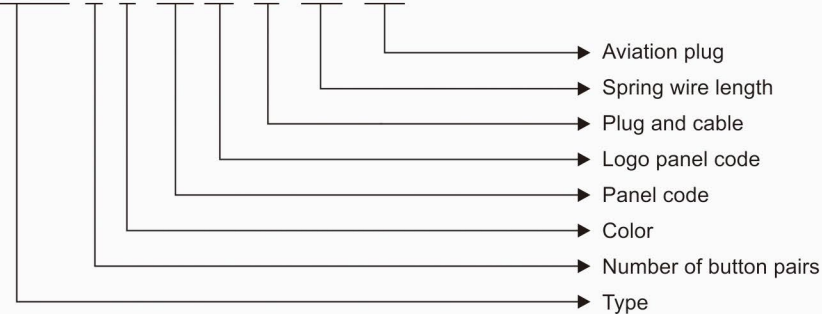
Actuator Quantity	1~6
Maximum available buttons	29
Color	Black
Plug and cable	Option
IP Grade	Max IP66
Connection	JCB35R
Other features	Background light, Lock/Unlock function

DIMENSIONS



ORDER KEY EXAMPLE

JCH35A8 - 6 - B - 6B1/B1 - L1 - 4D0 - 1D0



JCH35A9

FEATURES

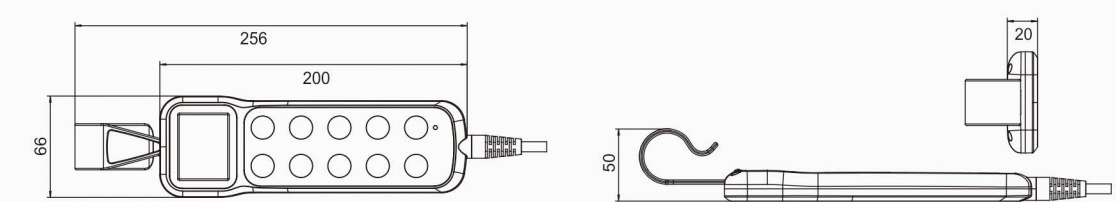
- With serial port communication or Can Bus communication
- With 2.0 inches TFT color screen
- With electronic locker(handset key)



SPECIFICATIONS

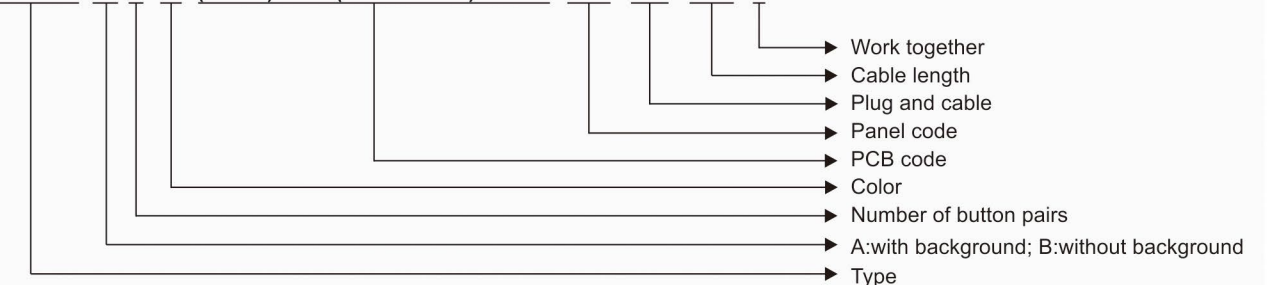
Actuator Quantity	1~4
Maximum available buttons	10
Color	Grey
Plug and cable	Option
IP Grade	Max IP66
Connection	JCB35R
Other features	With 2.0 inches TFT color screen, Lock/Unlock function

DIMENSIONS



ORDER KEY EXAMPLE

JCH35A9 - B - 5 - G - (2.0-M)-5X2-(CAN-UART)-01-V2 - 5G1 - 8L1 - 4D0 - 0



HAND/FOOT CONTROLLER

JCH35A10

FEATURES

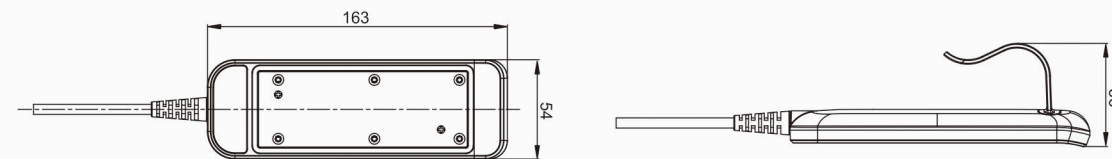
- Design only for the patient lifter
- IP66



SPECIFICATIONS

Actuator Quantity	1~3
Color	Grey
Plug and cable	Bend plug
IP Grade	Max IP66
Connection	JCB35K3

DIMENSIONS



ORDER KEY EXAMPLE

JCH35A10 - B - 3 - G - M-1X6-01-V1 - 3L1 - X - 4D0 - X

- Work together
- Cable length
- Plug and cable
- Panel code
- PCB code
- Color
- Number of button pairs
- A:with background; B:without background
- Type

HAND/FOOT CONTROLLER

JCHT35K

FEATURES

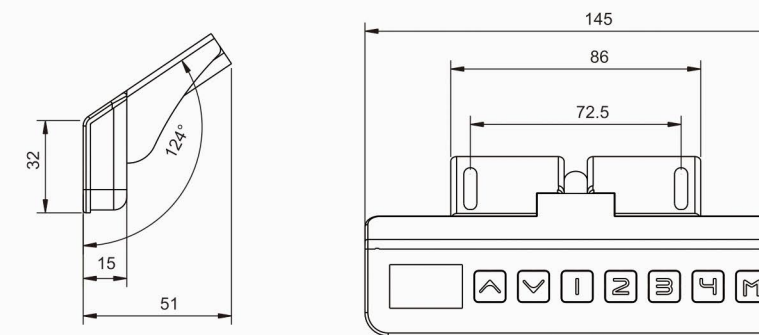
- Special designed for adjustable table



SPECIFICATIONS

Actuator quantity	1-4
Color	Black or Grey
Plug and cable	Option
IP Grade	IP20
Connection	JCB35N1、JCB35N2、JCB35N3、JCB35N4
Other Features	(1) 4 positions memory function; (2) LED list for position of the actuator or column.

DIMENSIONS



ORDER KEY EXAMPLE

JCHT35K - 1 - KJ - B - H - 2D0 - W

- LED backlight color
- Cable length
- Plug and cable
- Color
- Panel code
- Number of button pairs
- Type

HAND/FOOT CONTROLLER

HAND/FOOT CONTROLLER

JCHT35L

FEATURES

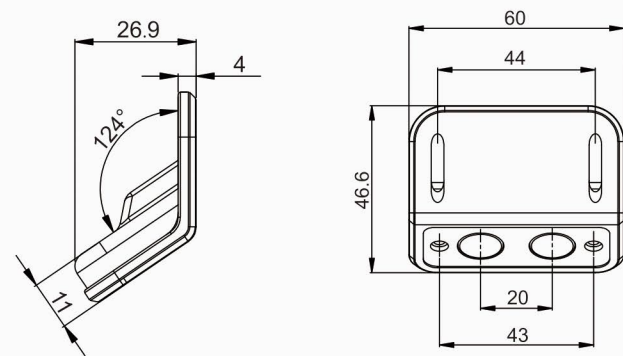
- Special designed for adjustable table
- Compact size, outward appearance
- With backlight (option)



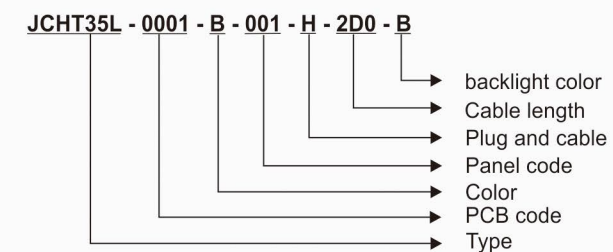
SPECIFICATIONS

Actuator Quantity	1-4		
Color	Black		
Plug and cable	DIN 9 bend plug, straight cable	DIN 8 RJ plug, straight cable	DIN 8 RJ plug, straight cable
IP Grade	Max IP66		
Connection	JCJ35D-MY4	JCB35J with low power consumption	JCB35N1/N2/N3/N4
Other features	Without backlight	Long-time backlight	Long-time backlight

DIMENSIONS



ORDER KEY EXAMPLE



JCHR35C

FEATURES

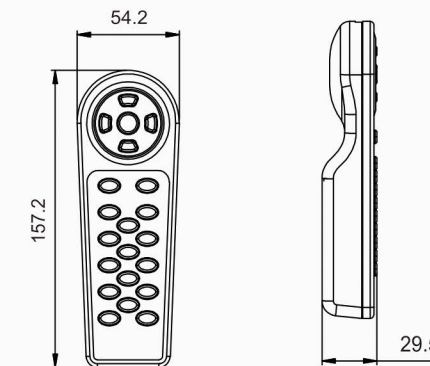
- RF wireless remotes controls



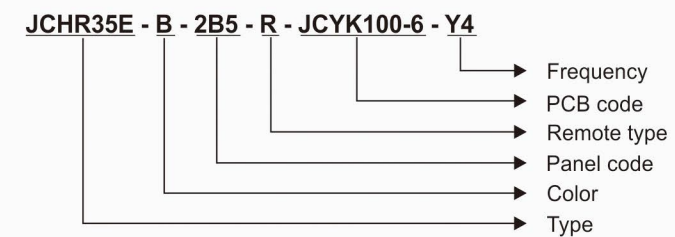
SPECIFICATIONS

Actuator Quantity	2 actuators + 2 massage motors
Color	Black
IP Grade	IP20
Connection	JS35S10-04
Other features	2.4G Wireless

DIMENSIONS



ORDER KEY EXAMPLE



HAND/FOOT CONTROLLER

HAND/FOOT CONTROLLER

JCHR35F

FEATURES

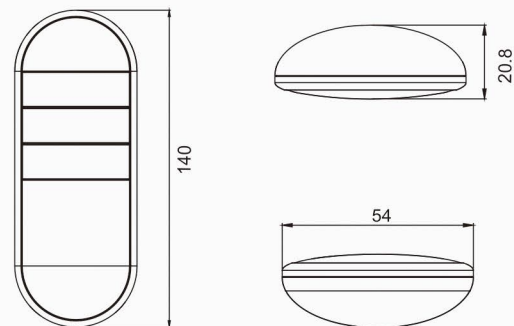
- Compact size , Comfortable handfeel
- Controlled by 2.4G RF
- Stronger disturbance rejection



SPECIFICATIONS

Actuator Quantity	1-3
Color	White
Connection	JCB35Q、JCP35N
Other features	2.4G Wireless

DIMENSIONS



ORDER KEY EXAMPLE

JCHR35F- G - 3- R - 2.4G - 0001

- Batch code
- Working frequency
- Remote type(B/R)
- Numbers of buttons
- Color
- Type

FOOT CONTROLLERS JCF35 / JCFS35

FEATURES

- The foot switches can be connected together



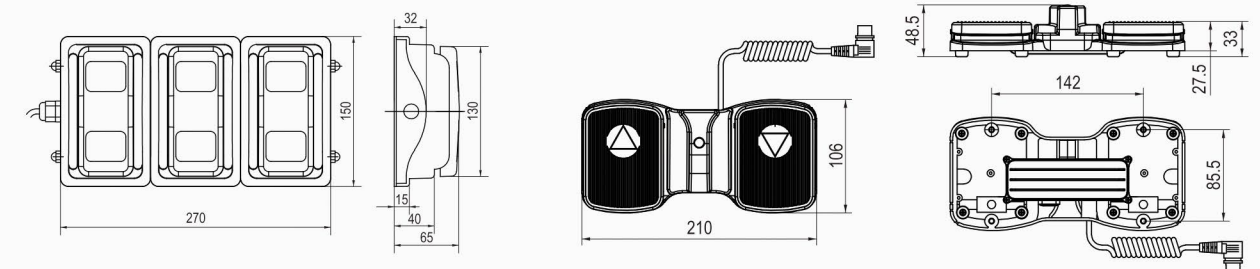
JCF35

JCFS35

SPECIFICATIONS

	JCF35	JCFS35
Actuator Quantity	1-4	1-2
Plug and cable	Option	
Color	Black or Grey	Black
IP Grade	IP54	Max IP66
Connection	All of JIECANG control boxes	

DIMENSIONS



JCF35

JCFS35

ORDER KEY EXAMPLE

JCF35 - 2 - G - G1G2 - L - 4D0 - X

- Special function
- Cable length
- Plug and cable
- Panel code
- Color
- Number of button pairs
- Type

FOOT CONTROLLER JCFN35

FEATURES

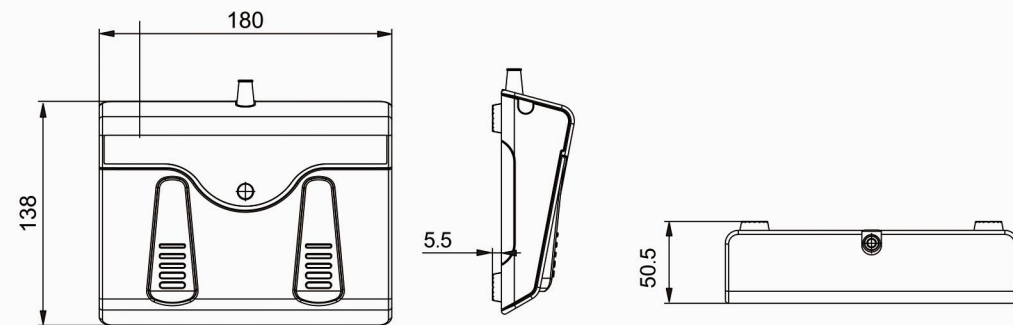
- The foot switches can be connected together



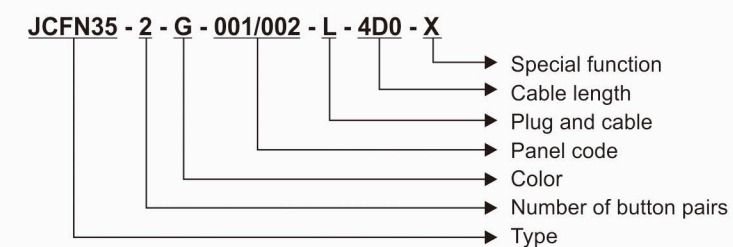
SPECIFICATIONS

Actuator Quantity	1-3
Plug and cable	Option
Color	White blue
IP Grade	Max IP66
Connection	All of JIECANG control boxes

DIMENSIONS



ORDER KEY EXAMPLE



NURSE CONTROLLER JCHN35E

FEATURES

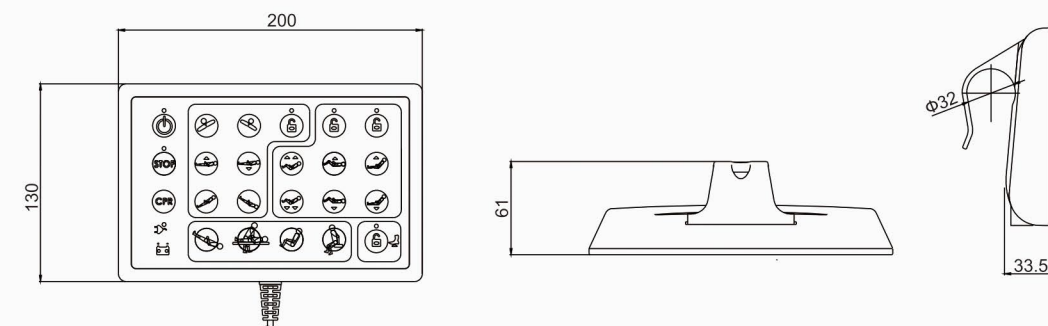
- Aesthetic appearance
- Hook design
- Better button feelings by tact switch
- General PCB and panel with JCHN35F



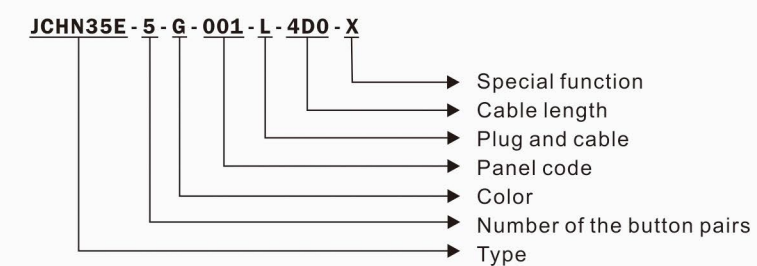
SPECIFICATIONS

Actuator quantity	4 or 5 (Max.23buttons,customized function)
Colour	Grey
Plug and cable	9 pin or 14 pin spring cable with 4meters
IP Grade	IP54
Connection	Match with JIECANG standard/intelligent control boxes
Other features	General function with CPR;3 columns system function

DIMENSIONS



ORDER KEY EXAMPLE



HAND/FOOT CONTROLLER

JCHN35E1

FEATURES

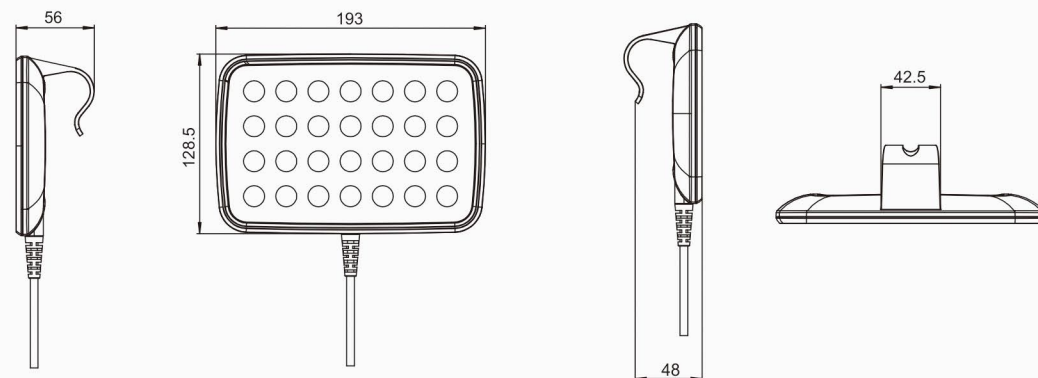
- Nice shape base on independent design
- New buttons with better touch feeling



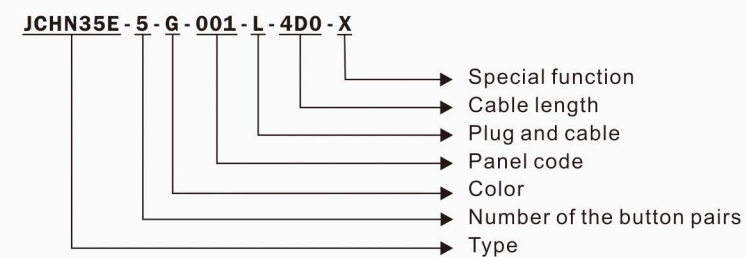
● SPECIFICATIONS

Actuator quantity	4 or 5 (Max.28 buttons,customized function)
Colour	Grey
Plug and cable	9 pin or 14 pin spring cable with 4meters
IP Grade	Max IP66
Connection	Match with JIECANG standard/intelligent control boxes
Other Features	General function with CPR;3 columns system function

● DIMENSIONS



● ORDER KEY EXAMPLE

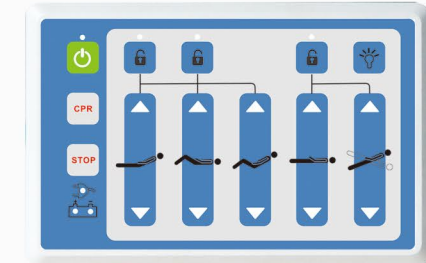


HAND/FOOT CONTROLLER

JCHN35F

FEATURES

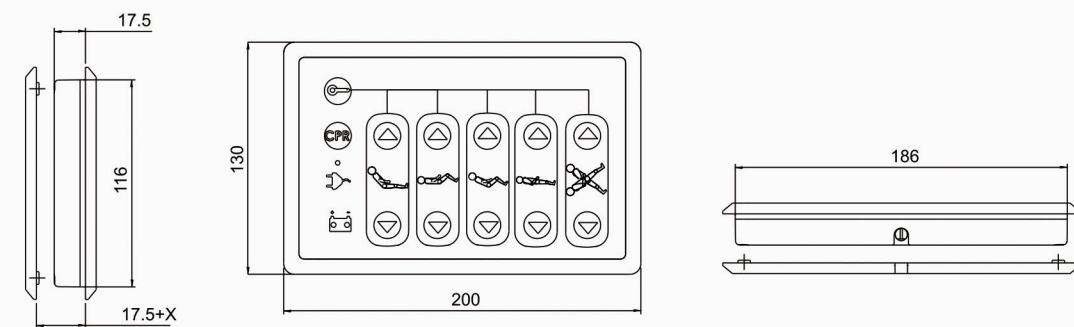
- Embedded design
- Better button feelings
- General PCB and panel with JCHN35E



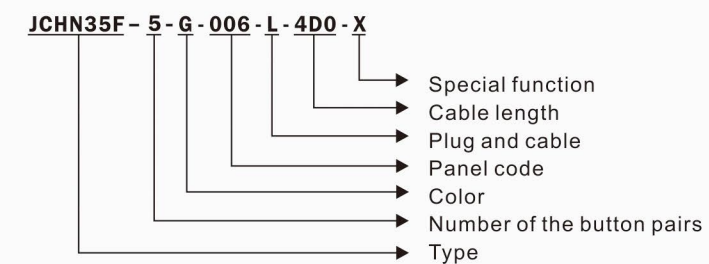
● SPECIFICATIONS

Actuator quantity	4 or 5 (Max.23buttons,customized function)
Colour	Grey
Plug and cable	9 pin or 14 pin spring cable with 2.5meters
IP Grade	IP20
Connection	Match with JIECANG standard/intelligent control boxes
Other Features	General function with CPR;3 columns system

● DIMENSIONS



● ORDER KEY EXAMPLE



HAND/FOOT CONTROLLER

JCHN35H

FEATURES

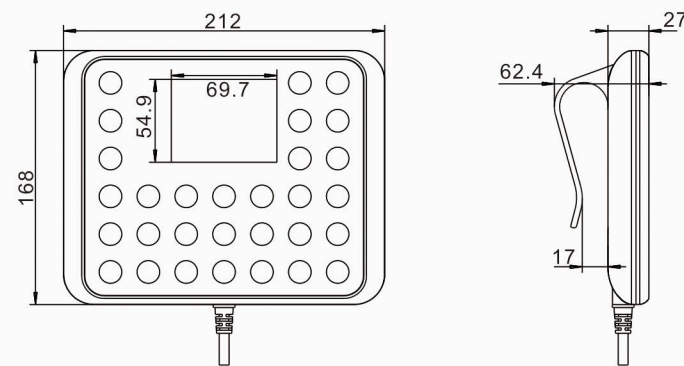
- Work with jiecang control box, could control max six actuators
- Apply for the medical and homecare bed
- With 3.5 inches TFT color screen



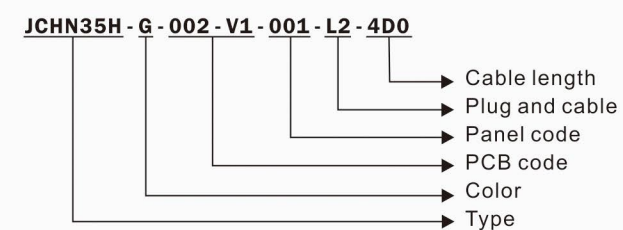
● SPECIFICATIONS

Button quantity	Max 30 buttons
Colour	Grey
Plug and cable	Option
IP Grade	Max IP66
Connection	Match with JIECANG intelligent control boxes
Other Features	With 3.5 inches TFT color screen, have angle and scale display
	With power supply display
	With lock, stop button
	Safety design: will lock automatic after 60s
	Customization is allowed

● DIMENSIONS



● ORDER KEY EXAMPLE



HAND/FOOT CONTROLLER

JCHN35H1

FEATURES

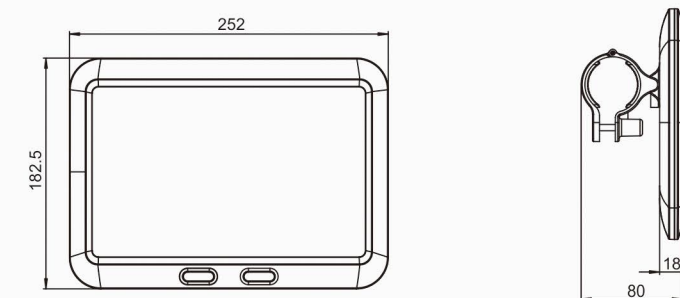
- Work with jiecang control box, could control max six actuators
- Apply for the medical and homecare bed
- Touch screen operate



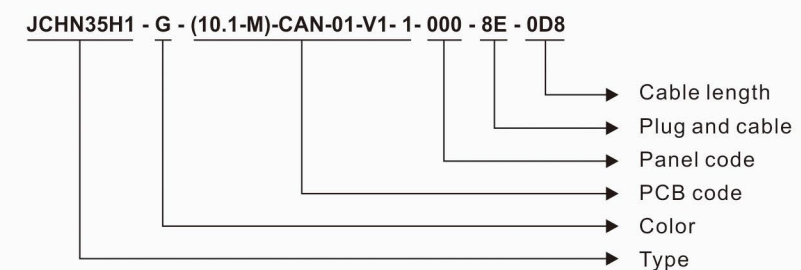
● SPECIFICATIONS

Numbers of buttons	2
Colour	Grey
IP Grade	IP20
Connection	Match with JIECANG intelligent control boxes
Other Features	10.1 inches IPS capacitive screen
	1280*800 DPI , HD full view monitor
	Mechanical button for emergency stop and turn on/off monitor
	Customization is allowed

● DIMENSIONS



● ORDER KEY EXAMPLE



SIDERAIL JCP35H02

FEATURES

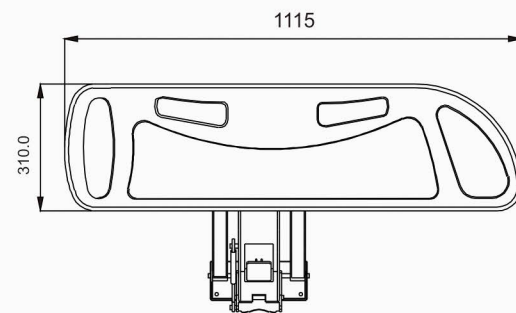
- Siderail special designed for hospital bed



SPECIFICATIONS

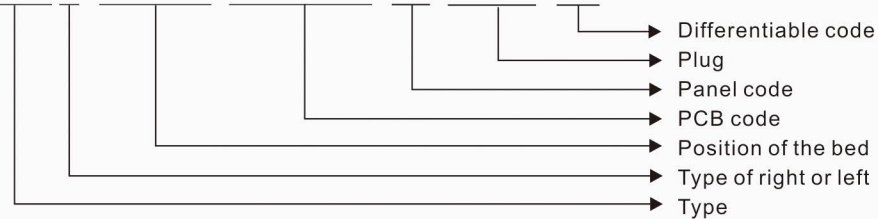
Panel design	Standard or customized option
Plug and cable	Option
Material	PP

DIMENSIONS



ORDER KEY EXAMPLE

JCP35H02 - LEFT SIDE - JCP35H-SIDE - 1+2 - DIN14ZZ - 1D0



SIDERAIL JCP35H03

FEATURES

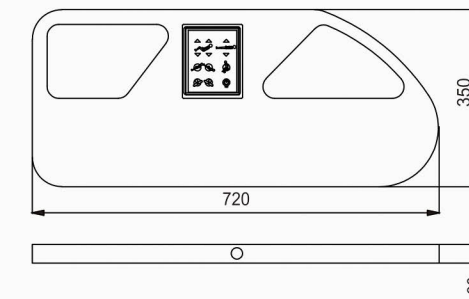
- Siderail special designed for hospital bed



SPECIFICATIONS

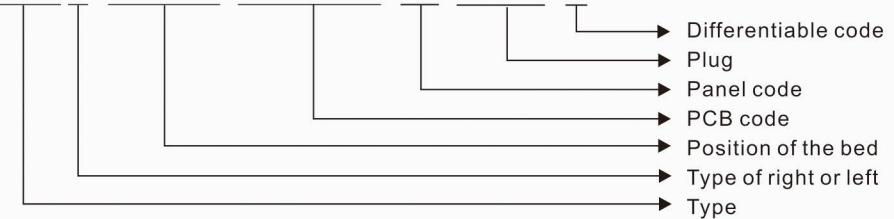
Panel design	Standard or customized option
Plug and cable	Option
Material	PP

DIMENSIONS



ORDER KEY EXAMPLE

JCP35H03 - LEFT SIDE - JCP35H-SIDE - 1+2 - DIN13ZZ - 01



SIDERAIL JCP35H05

FEATURES

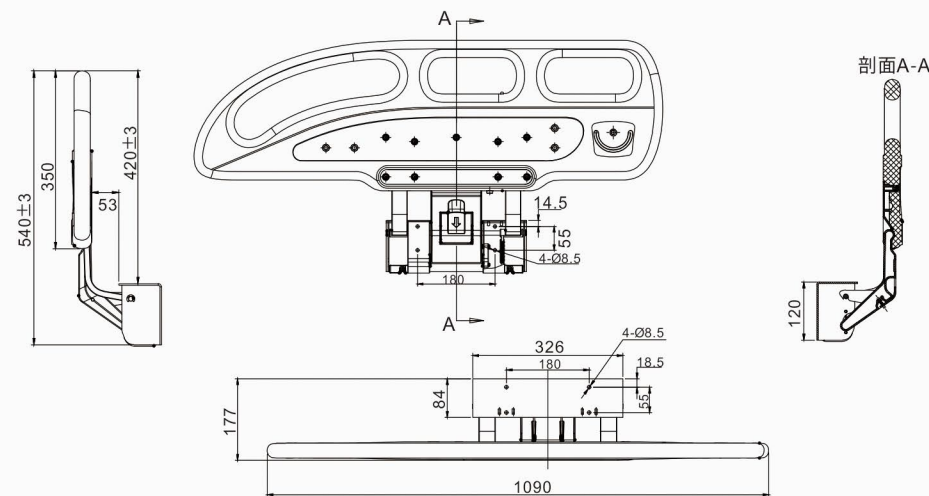
- Siderail special designed for hospital bed



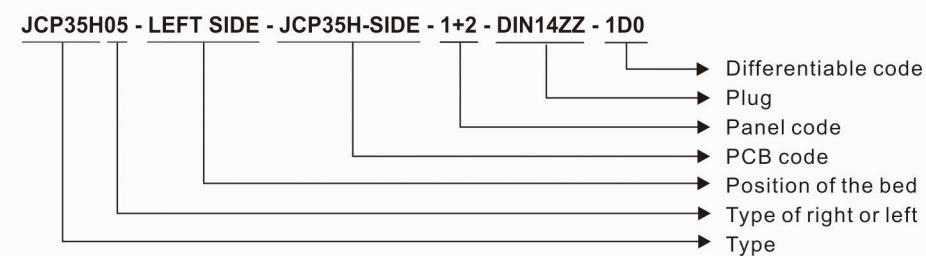
SPECIFICATIONS

Panel design	Standard or customized option
Plug and cable	Option
Material	PP

DIMENSIONS



ORDER KEY EXAMPLE



HEAD-FOOT BOARD JCP35I / JCP35J01

FEATURES

- Headboard special designed for hospital bed
- On the foot side headboard, there can be mounted with scale display and operation panel



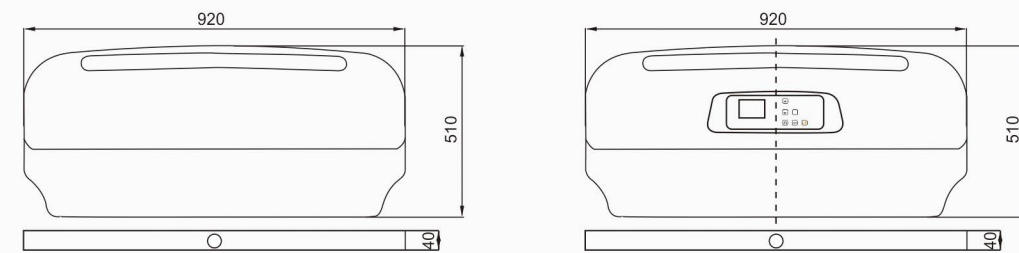
JCP35I

JCP35J01

SPECIFICATIONS

Panel design	Standard or customized design
Plug and cable	Option
Material	PP

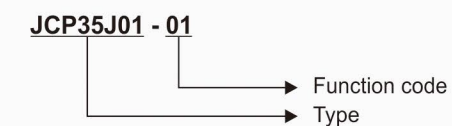
DIMENSIONS



JCP35I

JCP35J01

ORDER KEY EXAMPLE



SMPS

JCP35PA-40, JCP35PA-50 JCP35PA-50B, JCP35PA-100

FEATURES

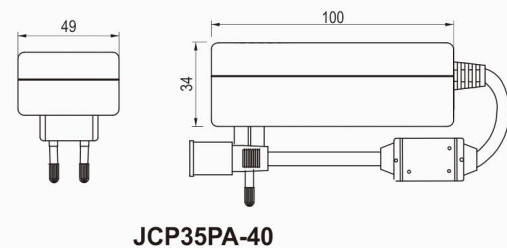
- Power supply devices with low standby consumption (less than 0.5 W)



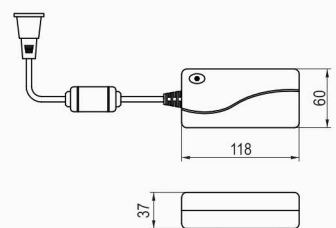
SPECIFICATIONS

	JCP35PA-40	JCP35PA-50	JCP35PA-50B	JCP35PA-100
Input Voltage	100~240VAC/50~60Hz			
Output Voltage (VDC)	29			
Output power (Watts)	40	50	50(with 2*9v battery for emergency)	100
Power Plug	C TYPE	Option	Option	Option
Colour	Black or Grey	Black		
Connected control box	JIECANG control boxes or relay free version			
Output connector	01 female plug			
Stand by consumption	Less than 0.5 W			
Duty cycle	10%, max, 2min. continuous use			
Overload Protection	Built-in			
IP Grade	IP54			
Ambient temperature	+5°C ~ + 40°C			
Standard	CE			

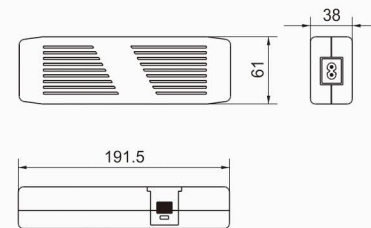
DIMENSIONS



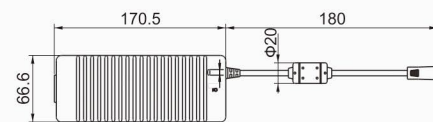
JCP35PA-40



JCP35PA-50

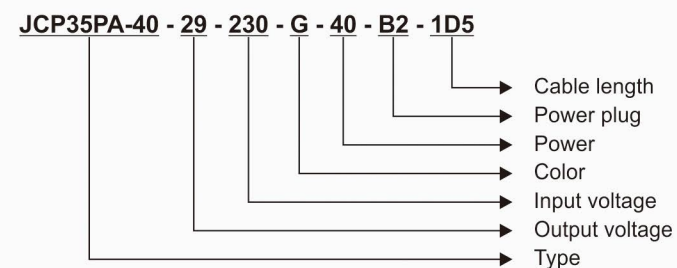


JCP35PA-50B



JCP35PA-100

ORDER KEY EXAMPLE



BATTERY BOX JCP35PA-B

FEATURES

- External Battery
- Match the Jiecang control box which with battery function, provide backup power
- JCP35PA-B-2, Battery charge inside, with indicative lamp on it



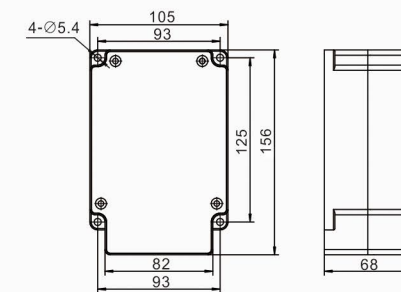
JCP35PA-B-1

JCP35PA-B-2

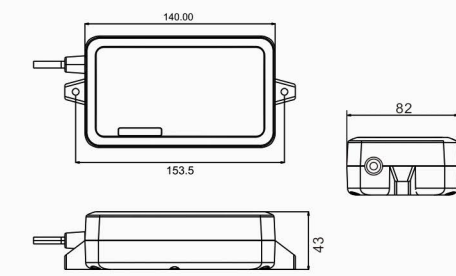
SPECIFICATIONS

	JCP35PA-B-1	JCP35PA-B-2
Input Voltage (VDC)	24	
Output Voltage (VDC)	24	
Rated Capacity	1.3AH	2.2AH
Type of battery	Lead-Acid	Li-iron
Power Plug	Option	
Colour	Black or White	
Connected control box	Match the Jiecang control box which with battery function	
IP Grade	IP54	Max IP66
Ambient temperature	+5°C ~ + 40°C	

DIMENSIONS

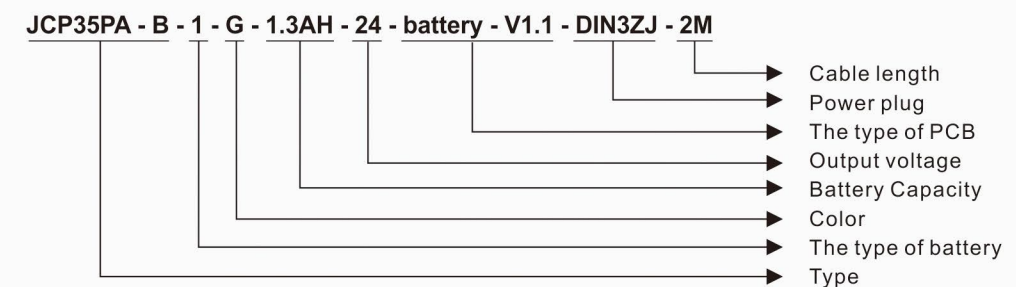


JCP35PA-B-1



JCP35PA-B-2

ORDER KEY EXAMPLE



NIGHT LIGHT JCP35E1-LED



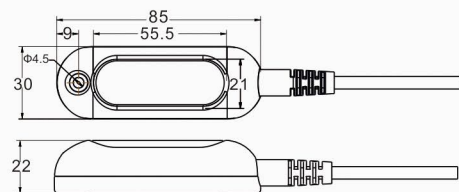
FEATURES

- JCP35E1-LED is night light mounted under the bed for patient or elder man in the night

SPECIFICATIONS

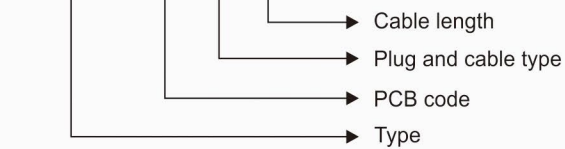
Plug and cable	Option
Color	White
IP Grade	Max IP66
Connection	To handset connector of JIECANG control boxes

DIMENSIONS



ORDER KEY EXAMPLE

JCP35E1 - LED - S - 2D0



SAFETY SWITCH JCP35Q



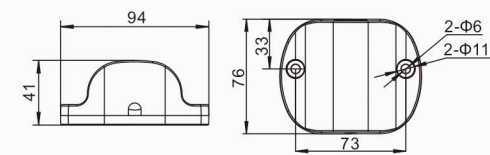
FEATURES

- Emergency stop button

SPECIFICATIONS

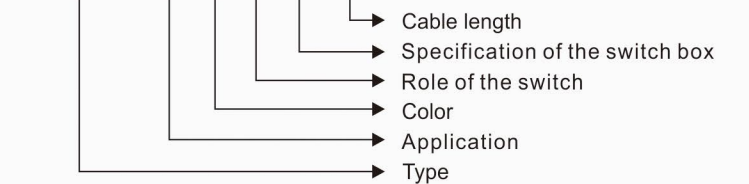
Current cut-off	10A/DC
Plug to control box	4 pins male-female plug

DIMENSIONS



ORDER KEY EXAMPLE

JCP35Q - JT - G - NC - E - 2D0



CONNECTION BOX JCP35C



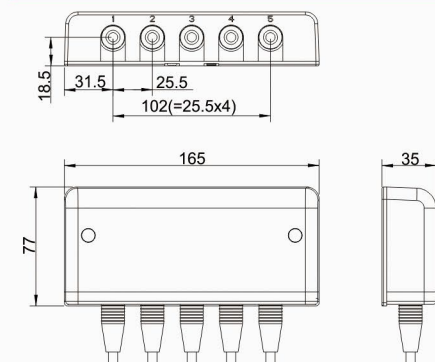
FEATURES

- Connection box JCP35C is designed to use where there is up to 5 hand/foot controls to be connected to the control box

SPECIFICATIONS

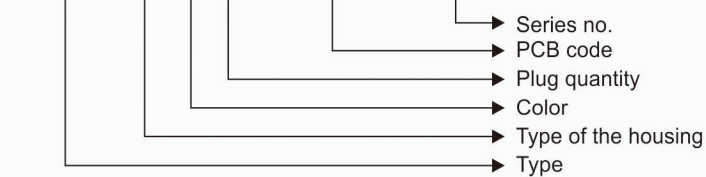
Plug to control box	Option
Connector to hand/foot controls	Option
Number of the hand/foot controls	1-5 controls
Color	Black or Grey

DIMENSIONS



ORDER KEY EXAMPLE

JCP35C - 01 - G - 5 - JCP35C-8DIN - 0001



SAFETY SWITCH JCP35Q1



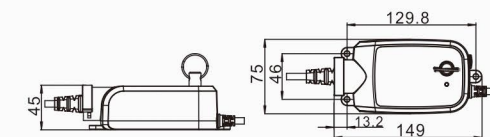
FEATURES

- Current cut-off by pulling out the switch

SPECIFICATIONS

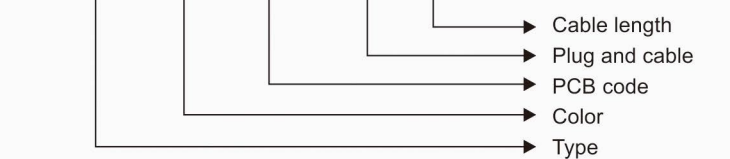
Input Voltage	100-240V~ 50/60Hz 3A
Output Voltage	100-240V~ 50/60Hz 3A
IP Grade	Max IP66
Plug to control box	Plug for JCB type control box

DIMENSIONS



ORDER KEY EXAMPLE

JCP35Q1 - G - 0-01-V1-1-JCB- 1D5



SAFETY SWITCH JCP35S



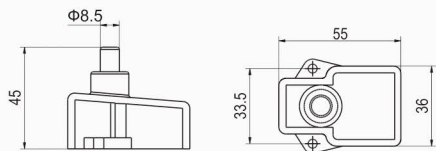
FEATURES

- The safety switch JCP35S is designed to cutoff the current immediately the button pressed
- It is usually connected between the actuators and the control box

SPECIFICATIONS

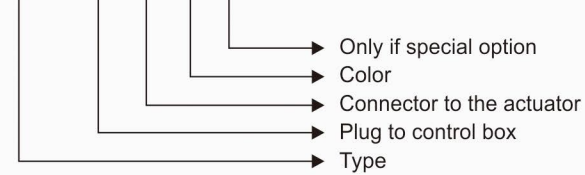
Plug to control box	Option
Connector to actuator	Option
Cable length	600mm each cable (option)
Color	Black or Grey

DIMENSIONS

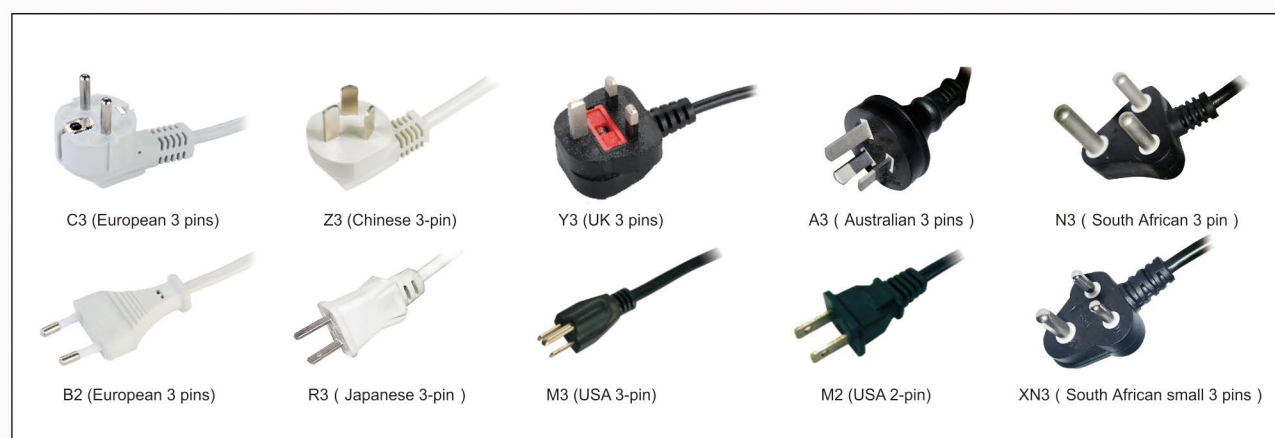


ORDER KEY EXAMPLE

JCP35S - 04 - 04 - G - X

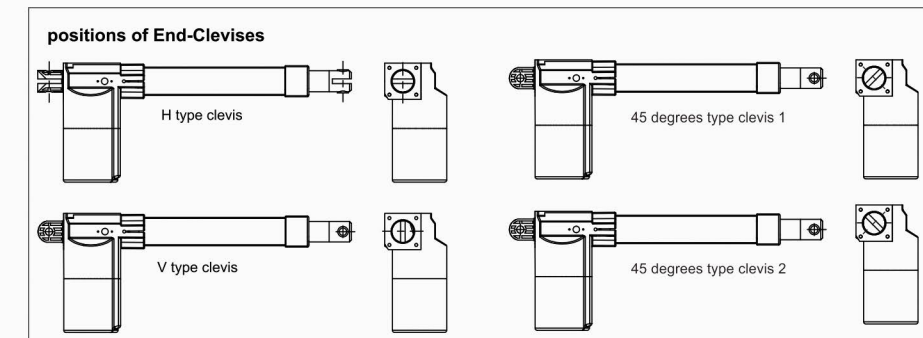


Power-Supply Plugs



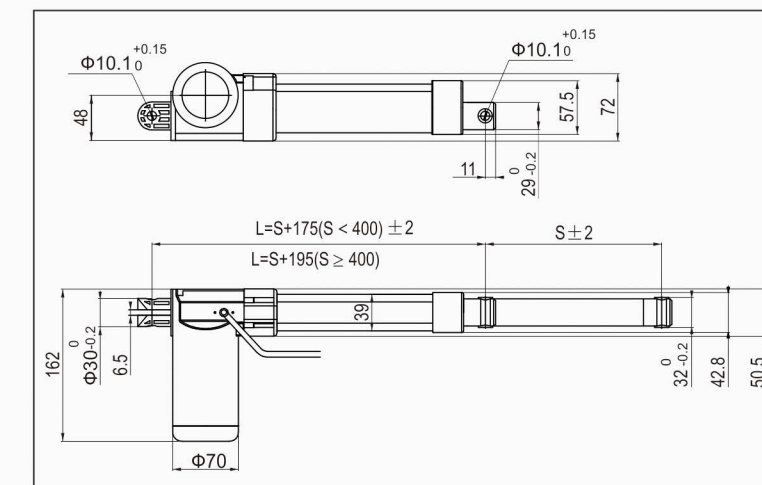
TOP-END-CLEVIS

Position of the Top-End-Clevis: Position of the Top-End-Clevis of most of the Linear Actuators can be chosen as H type (Horizontal), V type (Vertical) or 45 degrees (as following drawing).



TOLERANCE

The tolerance of the stroke length, retracted length, mounting hole, mounting clevis outer diameter of the actuators is listed as following.



SYNCHRONISED STROKE

Synchronized stroke is reduced by 15 mm compared to the ordering stroke (as following drawing).

