



SINDBY PROFILES 5

Gummi til industri og autobranschen

Hos BIBUS SINDBY A/S har vi beskæftiget os med gummiprofiler, kantlister, svampegummi og gummimåtter i over 100 år. Vi har således en solid erfaring på området og besvarer gerne spørgsmål vedr. kemisk modstandsdygtighed, UV belastning, hårdhedsområde, trækstyrke, brudforlængelse, max. temperaturområde, slidstyrke, bestandighed o.s.v.

Alle profiler/gummiplader er lagervarer, hvis ikke andet er opgivet. Specialprofiler leveres efter ordre.

Vi løser alle opgaver - spørg os og få løsningen.

Note

Tegningerne i dette katalog er ikke målfaste. Visse profiler i dette katalog lagerføres ikke men hjemtages kun på bestilling og ud fra mængde. Afklippede profiler tages ikke retur. Alle mål er i mm, hvis ikke andet er opgivet.

Rubber for industry and automotive sector

At BIBUS SINDBY A/S we have been working with rubber profiles, edge profiles, sponge rubber and rubber plates for more than 100 years. We therefore have a thorough knowledge in this area and are always at your disposal if you have questions concerning chemical resistance, UV impact, hardness, tractive power, elongation at break, max. temperature range, resistance, constancy etc.

All profiles / rubber plates in the catalogue are stock items unless otherwise stated. Special profiles can be supplied to order.

We can offer our assistance in all kinds of projects - ask us and we have the solution.

Note

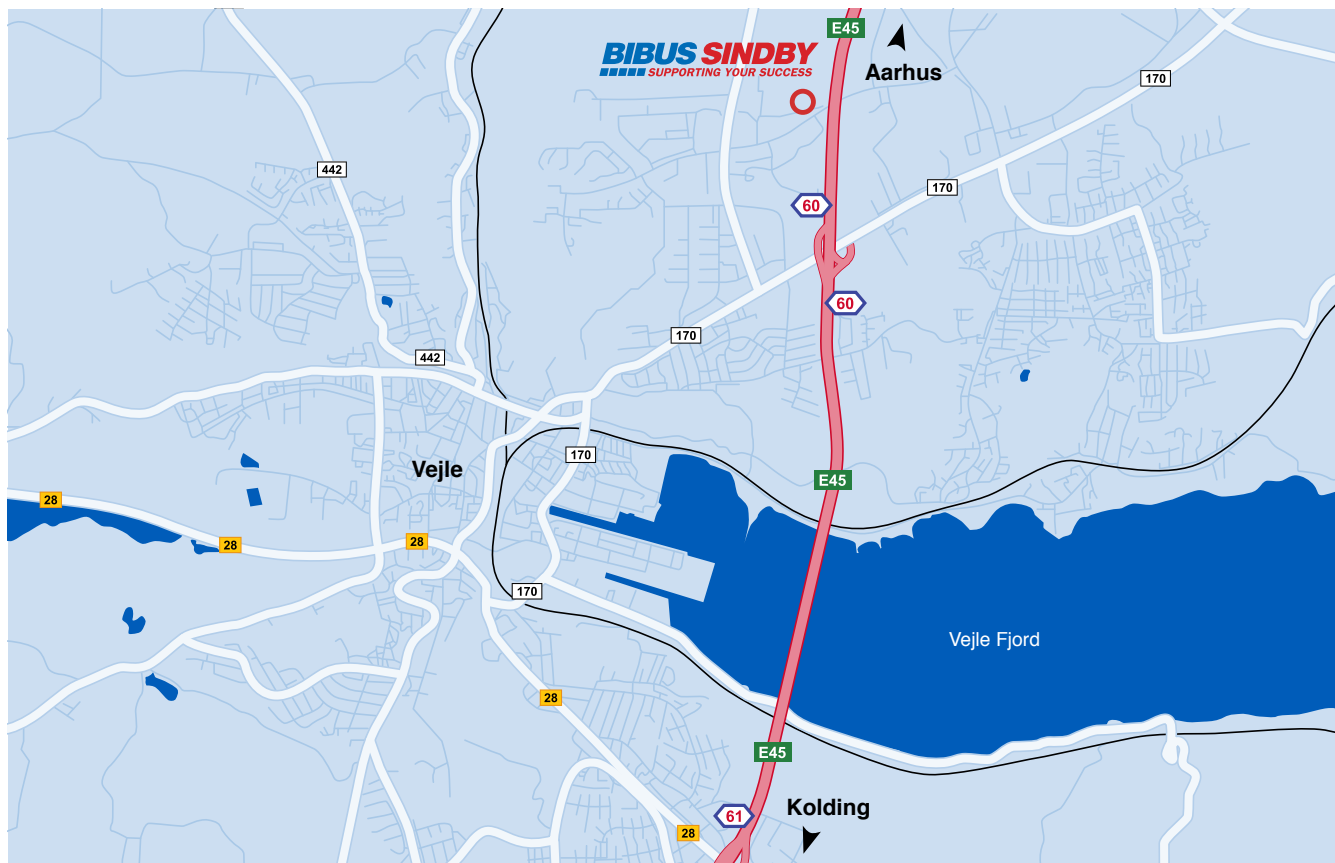
The drawings in this catalogue are not fixed. Certain profiles in this catalogue are not in stock and are only stocked on order. Profiles which are cut off cannot be returned. All measures are in mm unless otherwise stated.



Keld Asp Hansen

Adm. direktør
Managing Director

Her finder du BIBUS SINDBY A/S / Here you will find BIBUS SINDBY A/S



BIBUS SINDBY A/S • Edisonvej 11 • DK-7100 Vejle

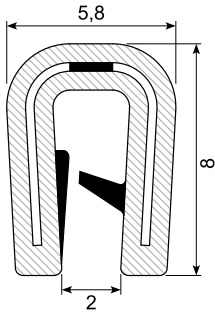
| | |
|-----|---|
| 2 | Kantlister / Edge trims |
| 14 | Silikonekantlister / Silicone edge trims |
| 16 | Silikoneskaffeprofiler / Silicone order profiles |
| 20 | POM-profiler / POM edge trims |
| 22 | Gummisnor / Rubber cord profiles |
| 23 | Specialprofiler / Special profiles |
| 34 | Co-ekstruderede plastprofiler / Co-extruded plastic profiles |
| 37 | U-profiler / U-profiles |
| 42 | P-profiler / P-profiles |
| 44 | Rudeprofiler / Glazing sections |
| 47 | Låsekiler / Glazing sections |
| 47 | Svampegummiskaffeprofiler / Sponge rubber order profiles |
| 48 | Svampegummi / Sponge rubber |
| 55 | Glasbånd / Window seals |
| 56 | Cellegummi / Cellular rubber |
| 57 | Fenderlister / Fender lists |
| 60 | Sico Trim / Sico Trim |
| 63 | Gummibuffer / Rubber buffer |
| 69 | Vibrationsdæmpere / Vibration muffler |
| 74 | Fendere / Fenders |
| 80 | Børste- og flock-lister / Brush sections |
| 83 | Lydisolering / Soundproofing |
| 86 | Kinagummiplader / Rubber sheets from China |
| 94 | Gummimåtter / Rubber mats |
| 101 | Gummistropper / Rubber straps |
| 103 | Bumpers / Bumpers |
| 104 | Poliall / Poliall |
| 105 | Oppustelige tætninger / Inflatable seals |
| 107 | Portsluser og tilbehør / Dock shelters |
| 111 | Tilbehør / Equipment |
| 113 | Egenskaber / Properties |
| 115 | Varenummerindex / Product number index |

Besøg vores webshop på
kantlister.dk

Visit our webshop at
kantlister.dk

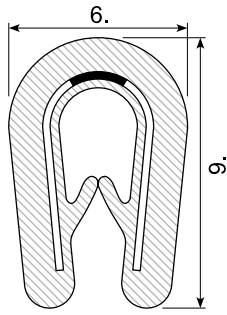


33.306



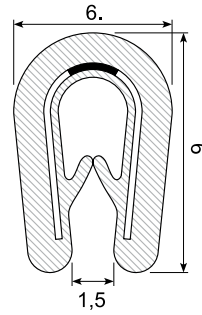
Edge trim: PVC black + bi
Grip range: 1 - 2 mm
Hardness: SH 75 / 65
Insert: 15 x 0,3 mm steel

33.409F



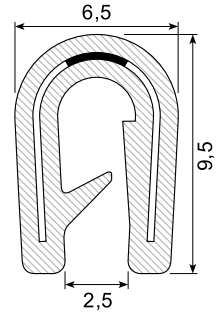
Edge trim: EPDM
Grip range: 1 - 2 mm
Hardness: SH 60
Insert: Steel
Flame retardent EN 45545

33.409 / 33.401G



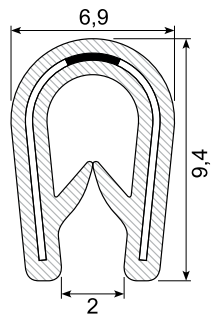
Edge trim: PVC black
Grip range: 1 - 2 mm
Hardness: SH 78
Insert: 16 x 0,3 mm steel
33.401G (grey)

33.307A



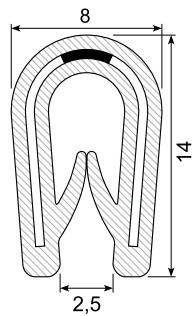
Edge trim: PVC black
Grip range: 1 - 2 mm
Hardness: SH 75
Insert: 17,5 x 0,3 mm steel
On cardboard coil

33.410X / 33.410XG



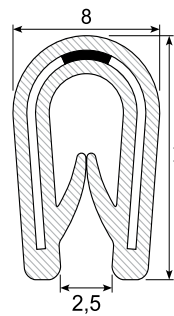
Edge trim: PVC black
Grip range: 1 - 2 mm
Hardness: SH 75
Insert: 17,5 x 0,3 mm steel
33.410XG (grey)

33.310X



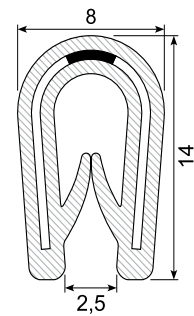
Edge trim: PVC black
Grip range: 1 - 3 mm
Hardness: SH 75
Insert: 26 x 0,47 mm steel

33.310SS



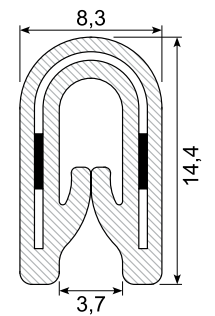
Edge trim: PVC black
Grip range: 1 - 2,5 mm
Hardness: SH 70 - 75
Insert: 26 x 0,5 mm stainless steel SS 304

33.310SS-316



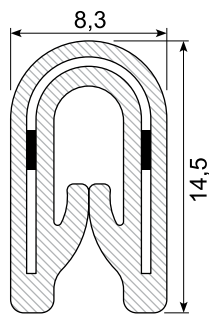
Edge trim: PVC black
Grip range: 1 - 2,5 mm
Hardness: SH 70 - 75
Insert: 26 x 0,5 mm stainless steel SS 316 (acid-proof)

33.422



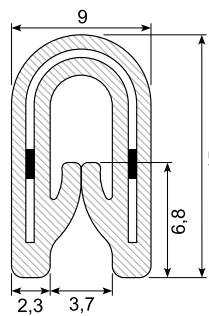
Edge trim: TPE flexible
Grip range: 1 - 2,5 mm
Hardness: SH 82
Insert: 25 x 0,48 mm steel

33.309XM



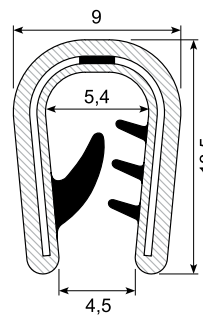
Edge trim: PVC mokka brown
Grip range: 1 - 2,5 mm
Hardness: SH 78
Insert: Steel
Special offer

33.003



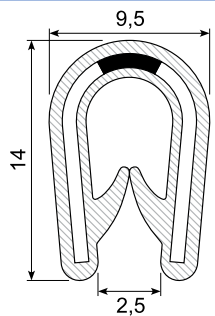
Edge trim: PVC black
Grip range: 1 - 2,5 mm
Hardness: SH 78
Insert: Steel
Current stock available

33.418SS



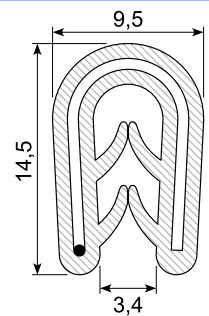
Edge trim: PVC black + bi
Grip range: 1,5 - 3 mm
Hardness: SH 78 / 78
Insert: 26 x 0,5 mm stainless 304 steel

33.308A



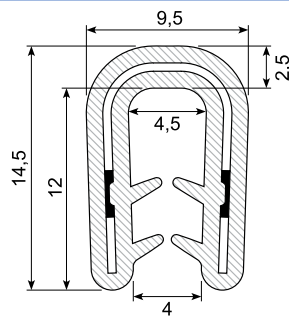
Edge trim: PVC black
Grip range: 1 - 4 mm
Hardness: SH 75
Insert: 26 x 0,47 mm steel
On cardboard coil

33.432



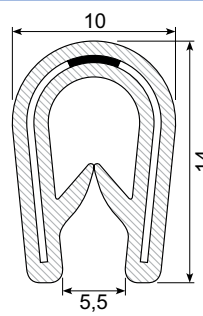
Edge trim: EPDM
Grip range: 1 - 3 mm
Hardness: SH 65
Insert: 27 mm wire

33.438



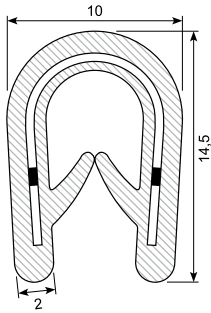
Edge trim: EPDM
Grip range: 1,5 - 3,5 mm
Hardness: SH 65
Insert: 29 x 0,5 mm steel

33.420X



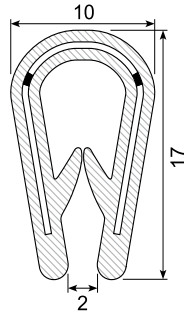
Edge trim: PVC black
Grip range: 1 - 4 mm
Hardness: SH 75
Insert: 27 x 0,47 mm steel

33.420F



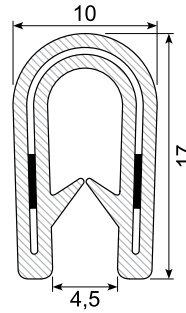
Edge trim: EPDM
Grip range: 1 - 3 mm
Hardness: SH 65
Insert: 26 x 0,5 mm steel
Flame retardent NNF 16-101

33.419



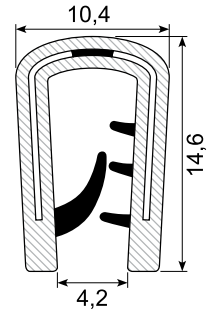
Edge trim: PVC black
Grip range: 1 - 4 mm
Hardness: SH 78
Insert: 31 x 0,5 mm steel

33.411



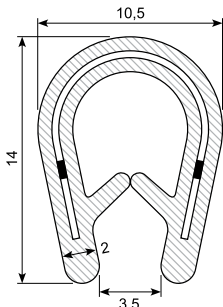
Edge trim: PVC Grey
Grip range: 2,5 - 4 mm
Hardness: SH 78
Insert: 29 x 0,48 mm steel

33.418X



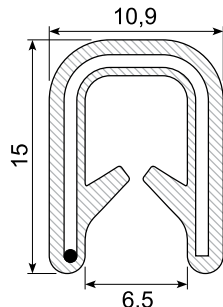
Edge trim: PVC black + bi
Grip range: 2 - 5 mm
Hardness: SH 75 / 75
Insert: 26 x 0,47 mm steel
White lips

33.420FX



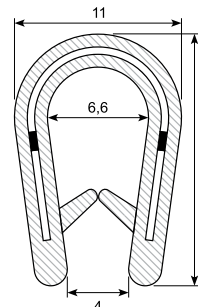
Edge trim: EPDM
Grip range: 1 - 3 mm
Hardness: SH 60
Insert: 26 x 0,5 mm steel
Flame retardent EN 45545

33.434



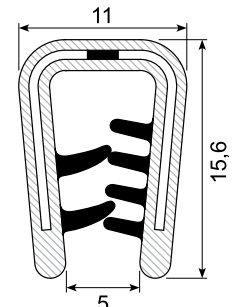
Edge trim: EPDM
Grip range: 2 - 4 mm
Hardness: SH 65
Insert: 30 mm wire

33.419A



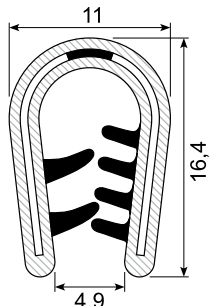
Edge trim: PVC black
Grip range: 2 - 4 mm
Hardness: SH 75
Insert: 30 x 0,5 mm steel

33.427X



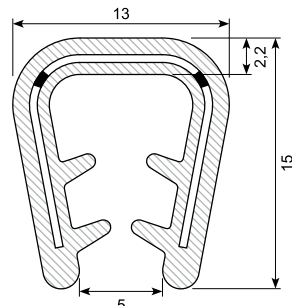
Edge trim: PVC black + bi
Grip range: 1,5 - 4,5 mm
Hardness: SH 75 / 75
Insert: 30 x 0,47 mm steel
Yellow lips

33.094X



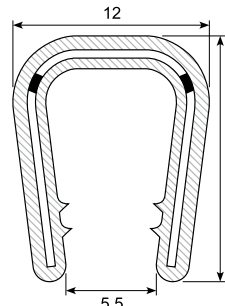
Edge trim: PVC black + bi
Grip range: 1 - 4 mm
Hardness: SH 75 / 75
Insert: 30 x 0,47 mm steel
Yellow lips

33.435X



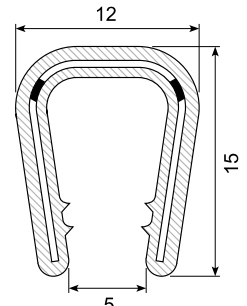
Edge trim: EPDM
Grip range: 5 - 8 mm
Hardness: SH 70
Insert: 31 x 0,5 mm steel

33.1153A



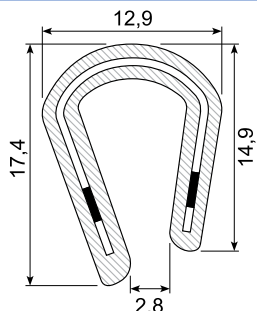
Edge trim: PVC black
Grip range: 6 - 8 mm
Hardness: SH 78
Insert: 32 mm steel

33.1153GA



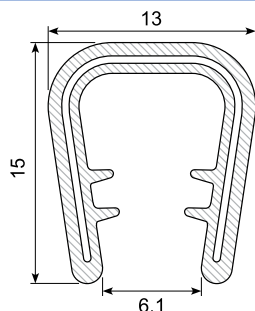
Edge trim: PVC grey
Grip range: 6 - 8 mm
Hardness: SH 78
Insert: 32 mm steel

33.415



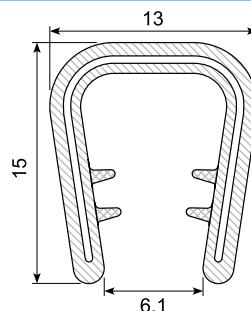
Edge trim: PVC black
Grip range: 5 - 7 mm
Hardness: SH 78
Insert: 29 x 0,48 mm steel

33.426XA



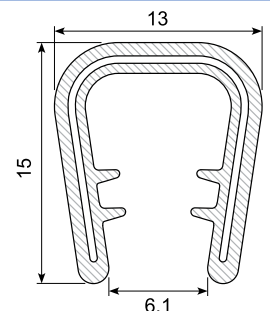
Edge trim: PVC black
Hardness: SH 78
Grip range: 4,5 - 7 mm
Insert: 32 mm
Min. order: 1.000 m

33.426A



Edge trim: PVC black + bi
Hardness: SH 78 / 65
Grip range: 4,5 - 7 mm
Insert: 32 mm
Min. order: 1.000 m

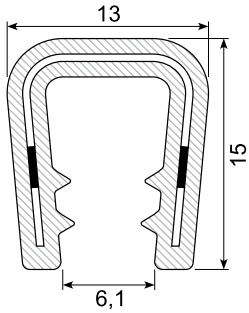
33.426GA



Edge trim: PVC grey
Grip range: 4,7 - 7 mm
Insert: 32 mm
Min. order: 1.000 m

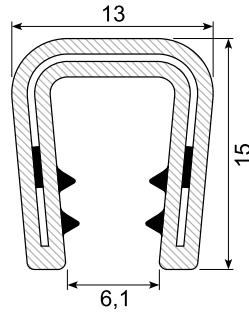
Kantlister / Edge trims

33.426X



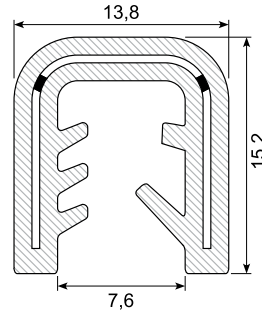
Edge trim: PVC black
Grip range: 4,5 - 7 mm
Hardness: SH 75
Insert: 30 x 0,8 mm steel

33.426



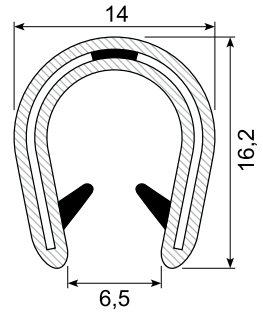
Edge trim: PVC + bi
Grip range: 4,5 - 7 mm
Hardness: SH 78 / 65
Insert: 29 x 0,48 mm steel

33.433



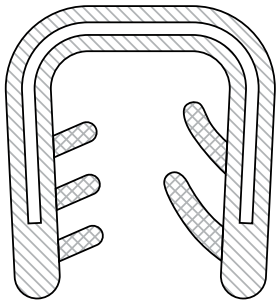
Edge trim: EPDM
Grip range: 4 - 6 mm
Hardness: SH 70
Insert: 33 x 0,47 mm steel
Flame retardent EPDM DIN5510-2

33.1154



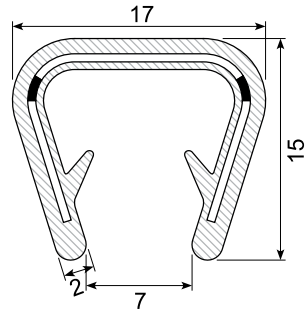
Edge trim: PVC black
Grip range: 6 - 8 mm mm
Hardness: SH 75 / 75
White lips

33.430



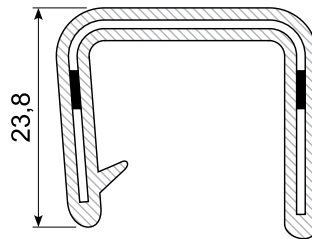
Edge trim: PVC black + bi
Grip range: 8 - 12 mm
Hardness: SH 75 / 57
Insert: 36 x 0,5 steel

33.428 / 33.428G



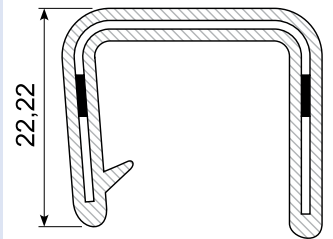
Edge trim: PVC black + bi
Grip range: 10 - 12 mm
Hardness: SH 78
Insert: 36 x 0,5 mm steel
33.428G (grey)

33.1155



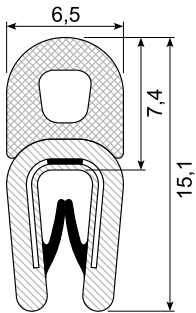
Edge trim: PVC black
Grip range: 15 - 16 mm
Hardness: SH 85
Insert: Steel

33.1156



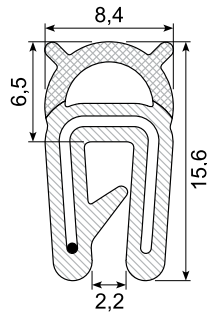
Edge trim: PVC black
Grip range: 18 - 19 mm
Hardness: SH 85
Insert: Steel

33.354



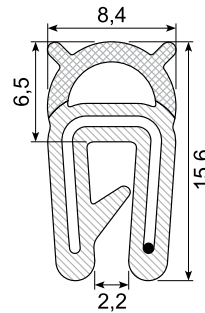
Edge trim: PVC+bi / sponge rubber
Grip range: 1 - 2 mm
Hardness: SH 78 / 57 / density 0,55
Insert: 16 x 0,3 mm steel

33.468F



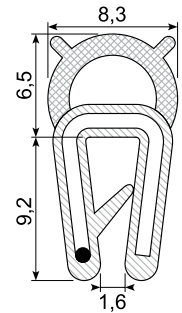
Edge trim: EPDM co-ex
Grip range: 1 - 2 mm
Hardness: SH 60 / density 0,8
Insert: 22 x 0,75 mm wire
Flame retardent EN 45545

33.468X



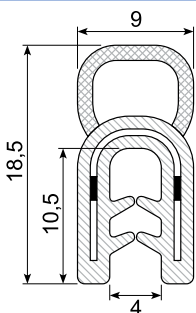
Edge trim: EPDM co-ex
Grip range: 1 - 2 mm
Hardness: SH 60 / density 0,55
Insert: 22 x 0,75 mm wire

33.468B *



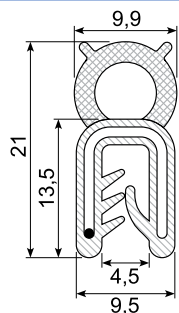
Edge trim: EPDM co-ex
Grip range: 1 - 2 mm
Hardness: SH 70 / density 0,55
Insert: 22 mm wire
Min. order: 3.000 mtr.

33.358C *



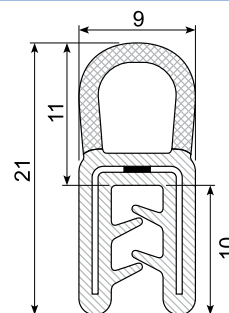
Edge trim: EPDM co-ex
Grip range: 0,8 - 2,5 mm
Hardness: SH 65
Insert: 25 x 0,5 mm steel
Min. order: 3.000 m

33.021



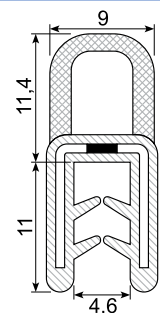
Edge trim: EPDM co-ex
Grip range: 0,8 - 2 mm
Hardness: SH 70 / density 0,55
Insert: 25 mm wire

33.358X



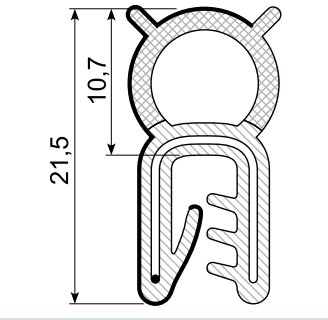
Edge trim: EPDM co-ex
Grip range: 1 - 3,5 mm (1 - 3 mm)
Hardness: SH 70 / density 0,55
Insert: 26 x 0,5 mm
Unbroken

33.358B



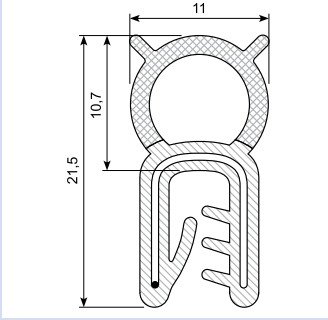
Edge trim: EPDM co-ex
Grip range: 1 - 3 mm
Hardness: SH 70 / density 0,55
Insert: 27 mm

33.371E EMV - EMC - EMI *



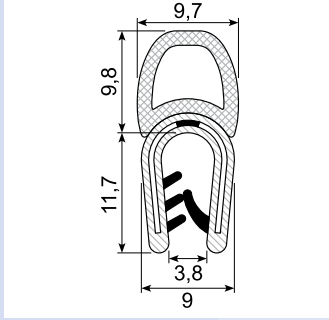
Edge trim: EPDM co-ex
 Grip range: 1 - 3 mm
 Hardness: SH 70 / density 0,55
 Insert: Wire
 Electromagnetic compatibility. On demand

33.371F *



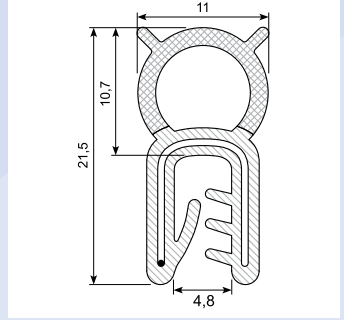
Edge trim: EPDM co-ex
 Grip range: 1 - 3 mm
 Hardness: SH 65 / density 0,6
 Insert: 26 x 0,75 mm wire
 Flame retardant NFF16-101
 Min. order 4.000 m

33.469X



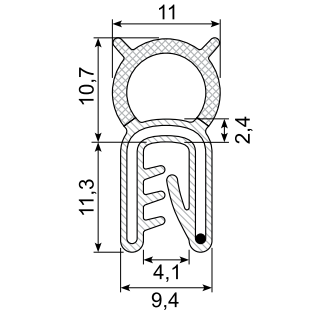
Edge trim: PVC+bi / sponge rubber
 Grip range: 1,5 - 3,5 mm
 Hardness: SH 75 / 63
 density 0,6 - 0,85
 Insert: 26 x 0,47 mm steel

33.371FX



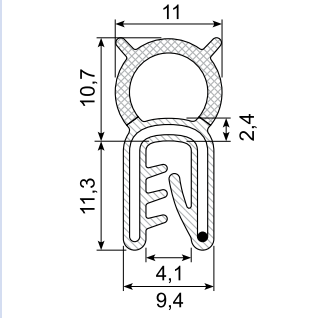
Edge trim: EPDM co-ex
 Grip range: 1 - 3 mm
 Hardness: SH 60 / density 0,8
 Insert: 26 x 0,75 mm wire
 Flame retardant EN 45545

33.371X



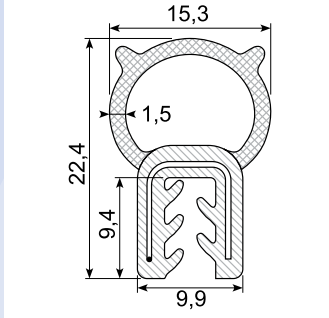
Edge trim: EPDM co-ex
 Grip range: 1 - 3,5 mm (1 - 3 mm)
 Hardness: SH 70 / density 0,55
 Insert: 27 mm wire

33.370NBR



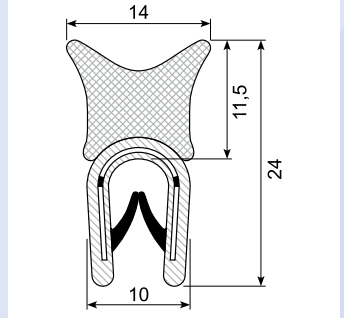
Edge trim: NBR co-ex
 Grip range: 1 - 3 mm
 Hardness: SH 70 / density 0,55
 Insert: Wire
 Oil resistant

33.369



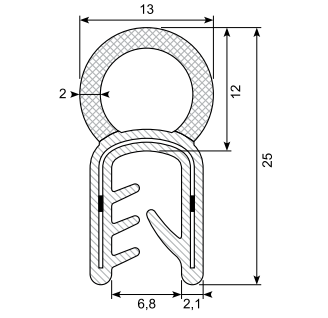
Edge trim: EPDM co-ex
 Grip range: 2 - 4 mm
 Hardness: SH 65 / density 0,6
 Insert: Wire

33.481



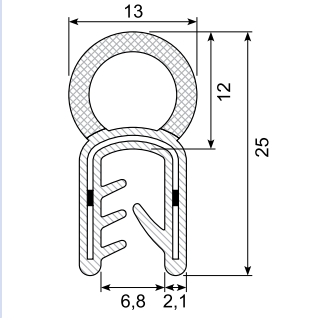
Edge trim: PVC + bi / spongerubber
 Grip range: 1 - 4 mm
 Hardness: SH 57 / 78 / density 0,55
 Insert: Steel

33.353NBR *



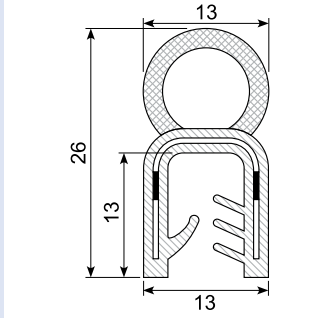
Edge trim: Co-ex
 Grip range: 3 - 4 mm
 Hardness: SH 70 / density 0,55
 Insert: 31 x 0,5 mm
 Min. order: 3.000 m

33.353S *



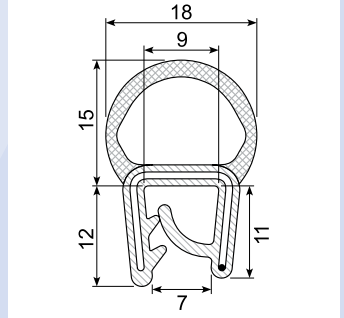
Edge trim: EPDM co-ex
 Grip range: 3 - 4 mm
 Hardness: SH 65 / density 0,6
 Insert: 31 x 0,5 mm steel
 Min. order: 6.000 m

33.353



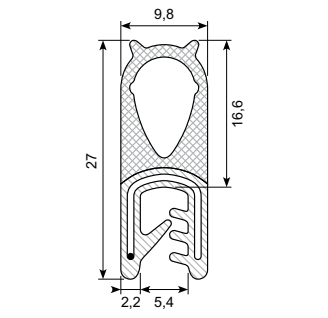
Edge trim: EPDM co-ex
 Grip range: 3 - 5 mm
 Hardness: SH 65 / density 0,6
 Insert: 32 mm steel

33.352



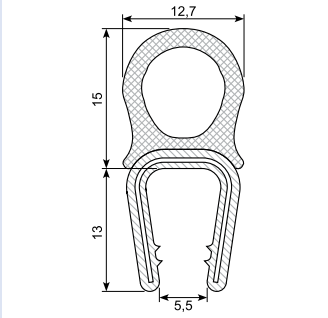
Edge trim: EPDM co-ex
 Grip range: 5 - 6 mm
 Hardness: SH 78 / density 0,6
 Insert: 31 x 0,5 mm

33.362FX



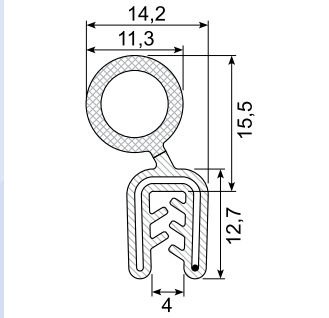
Edge trim: EPDM co-ex
 Grip range: 1 - 3,5 mm
 Hardness: SH 60 / density 0,8
 Insert: 26 x 0,75 mm wire
 Flame retardant EN 45545
 * Skaffevare / Special order item

33.357X



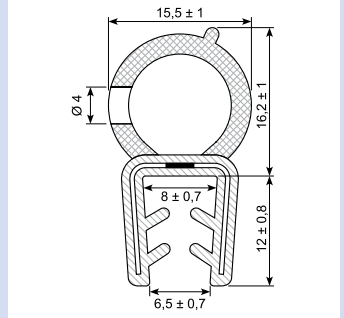
Edge trim: PVC / sponge rubber
 Grip range: 5 - 7 mm
 Hardness: SH 78 / density 0,6
 Insert: 31 x 0,5 mm

33.359X



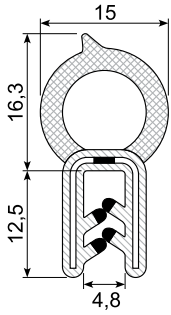
Edge trim: EPDM co-ex
 Grip range: 1,5 - 4 mm
 Hardness: SH 70 / density 0,6 - 0,85
 Insert: 25 wire

33.353X



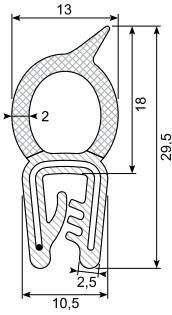
Edge trim: EPDM co-ex
 Grip range: 4 - 6 mm
 Hardness: SH 65 / density 0,6
 Insert: 33 mm steel

33.376



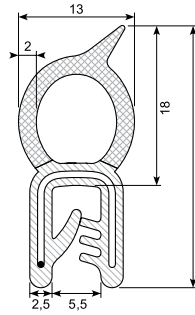
Edge trim: EPDM co-ex
Grip range: 1 - 3,5 mm
Hardness: SH 70 / density 0,75
Insert: 27 mm steel

33.360



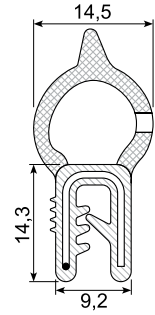
Edge trim: EPDM co-ex
Grip range: 1 - 2,5 mm
Hardness: SH 60 / density 0,6
Insert: 27 x 0,75 mm wire

33.360NBR *



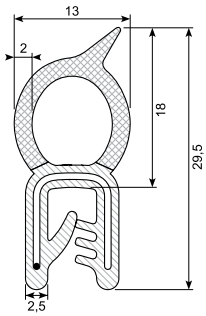
Edge trim: NBR co-ex
Grip range: 1 - 3 mm
Hardness: SH 70 / density 0,55
Insert: 27 x 0,75 wide
Oil resistant
Min. order: 4.000 m

33.377



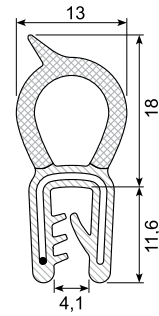
Edge trim: EPDM co-ex
Grip range: 1 - 3,5 mm
Hardness: SH 70 / density 0,75
Insert: 27 mm wire

33.360F *



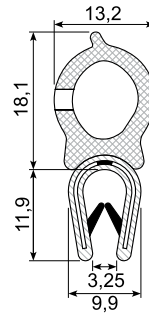
Edge trim: EPDM co-ex
Grip range: 2 - 4 mm
Hardness: SH 65 / density 0,6
Insert: 27 x 0,76 mm wire
Flame retardant NFF16-101
Min. order: 3.000 m

33.360X



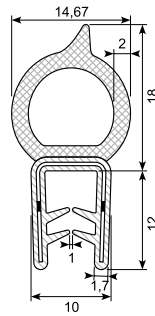
Edge trim: EPDM co-ex
Grip range: 1 - 3 mm
Hardness: SH 70 / density 0,6
Insert: 27 x 0,75 mm wire

33.365X



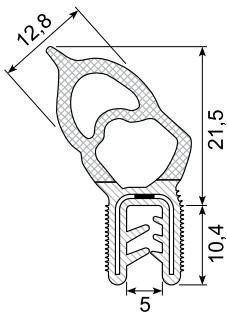
Edge trim: PVC+bi sponge rubber
Grip range: 1 - 4 mm
Hardness: SH 75 / 63 / density 0,6 - 0,85
Insert: 26 x 0,47 mm steel

33.362F *



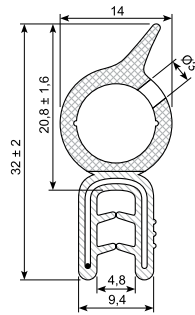
Edge trim: EPDM co-ex
Grip range: 2 - 4 mm
Hardness: SH 65 / density 0,6
Insert: 29 x 0,5 mm steel
Min. order: 1.000 m
Flame retardant BS6853 and DIN5510

33.374



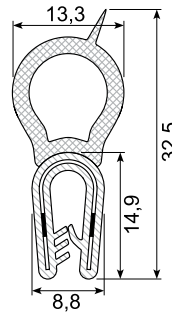
Edge trim: EPDM co-ex
Grip range: 1,5 - 4 mm
Hardness: SH 70 / density 0,55
Insert: 27 x 0,47 mm steel

33.362D



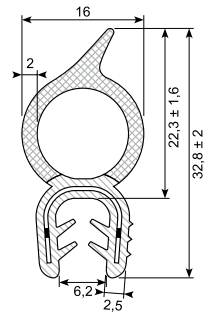
Edge trim: EPDM co-ex
Grip range: 2 - 4 mm
Hardness: SH 65 / density 0,6
Insert: 27 x 0,75 mm wire

33.360R



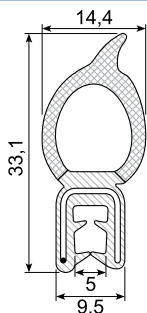
Edge trim: PVC sponge rubber
Grip range: 1 - 2,5 mm
Hardness: SH 77 / density 0,65 - 0,75
Insert: 26 x 0,5 mm stainless 304 steel

33.362E *



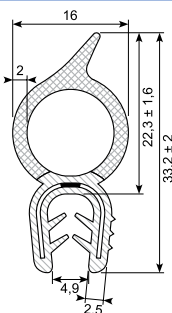
Edge trim: EPDM co-ex
Grip range: 3 - 5 mm
Hardness: SH 65 / density 0,6
Insert: 26 x 0,5 mm steel
Min. order: 1.000 m

33.362



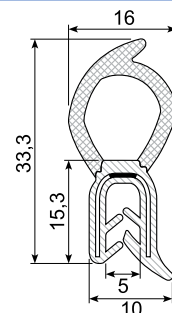
Edge trim: EPDM co-ex
Grip range: 1 - 3,5 mm
Hardness: SH 70 / density 0,6
Insert: 26 x 0,76 mm wire

33.362C *



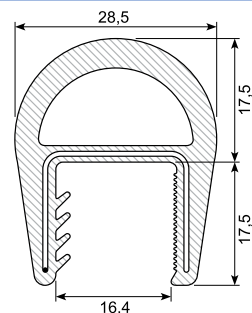
Edge trim: EPDM co-ex
Grip range: 1,5 - 3 mm
Hardness: SH 65 / density 0,6
Insert: 26 x 0,5 mm steel
Min. order: 1.000 m

33.025



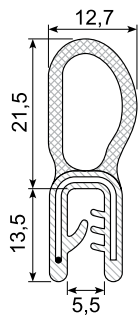
Edge trim: EPDM co-ex
Grip range: 1,5 - 3,5 mm
Hardness: SH 70 / density 0,55
Insert: 27 x 0,47 mm steel

33.367



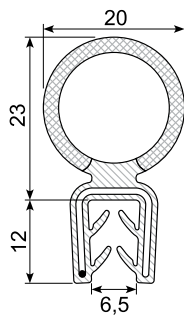
Edge trim: EPDM solid balloon
Grip range: 16 mm
Hardness: SH 60
Insert: 52 x 0,76 mm wire

33.380



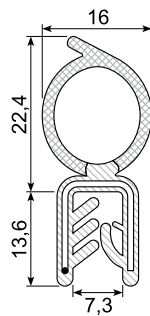
Edge trim: EPDM co-ex
Grip range: 2 - 4 mm
Hardness: SH 70 / density 0,55
Insert: 29 mm wire

33.379



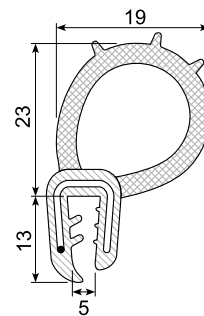
Edge trim: EPDM co-ex
Grip range: 2,5 - 5 mm
Hardness: SH 70 / density 0,55
Insert: 33 mm wire

33.378



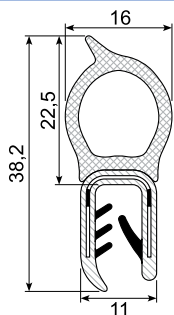
Edge trim: EPDM co-ex
Grip range: 1,5 - 5 mm
Hardness: SH 70 / density 0,55
Insert: 33 mm wire

33.375



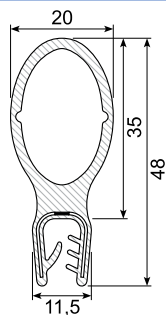
Edge trim: EPDM co-ex
Grip range: 4 - 5 mm
Hardness: SH70 / density 0,6 - 0,85
Insert: 27 mm wire

33.463



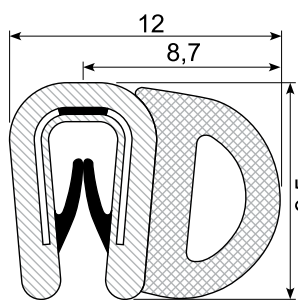
Edge trim: PVC+bi / sponge rubber
Grip range: 4 - 6 mm
Hardness: SH78/57 density 0,55
Insert: 31 x 0,5 mm steel

33.355B



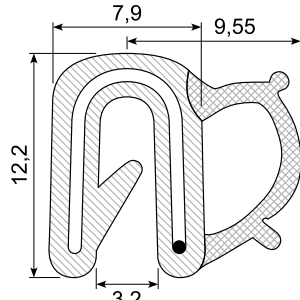
Edge trim: EPDM solid balloon
Grip range: 3 - 5 mm
Hardness: SH 60
Insert: 31 x 0,5 mm steel unbroken

33.408X



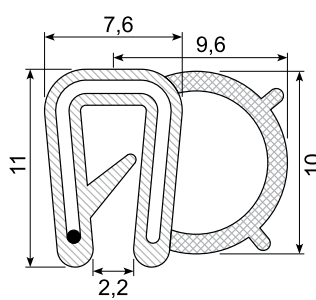
Edge trim: PVC+bi / sponge rubber
Grip range: 1 - 2 mm
Hardness: SH 78 / 57 density 0,55
Insert: 16 x 0,3 mm steel

33.407X



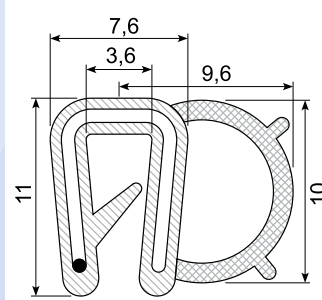
Edge trim: EPDM co-ex
Grip range: 0,8 - 2,5 mm
Hardness: SH 60 / density 0,55
Insert: 22 x 0,75 mm wire

33.403 *



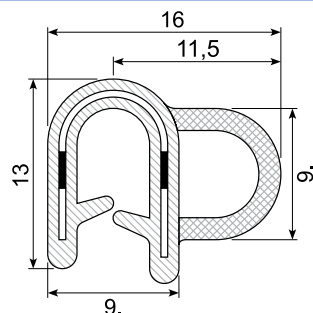
Edge trim: EPDM co-ex
Grip range: 1 - 2 mm
Hardness: SH 70 / density 0,55
Insert: 20 x 0,76 mm wire
Min. order: 8.000 m

33.403F



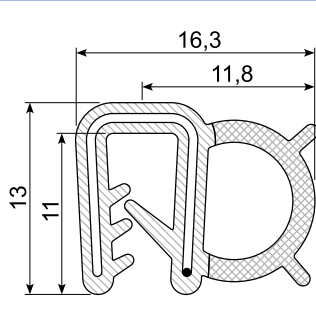
Edge trim: EPDM co-ex
Grip range: 1 - 2 mm
Hardness: SH 60 / density 0,8
Insert: 22 x 0,75 mm wire
Flame retardant EN 45545

33.9779



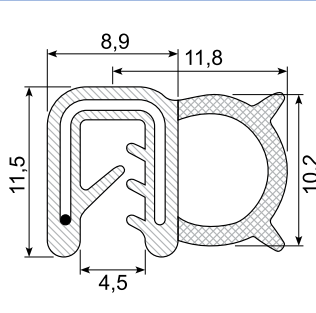
Edge trim: EPDM co-ex
Grip range: 1,5 - 3 mm (1 - 3 mm)
Hardness: SH 70 / density 0,65
Insert: 25 x 0,5 mm steel

33.395A



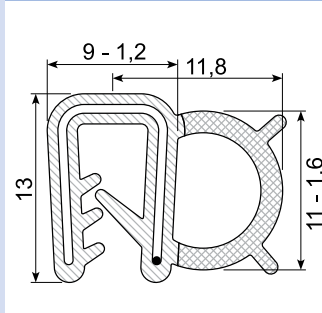
Edge trim: EPDM co-ex
Grip range: 2 mm
Hardness: SH 60 / density 0,6
Insert: 26 x 0,75 mm wire

33.395X



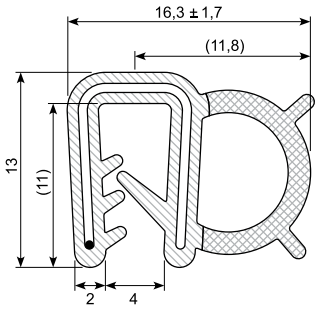
Edge trim: EPDM co-ex
Grip range: 1 - 3 mm
Hardness: SH 70 / density 0,55
Insert: Wire

33.398



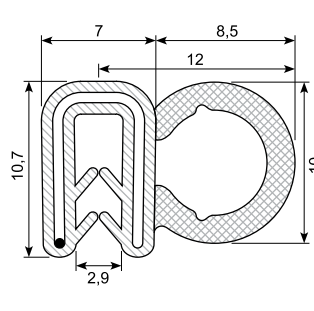
Edge trim: NBR co-ex
Grip range: 2 mm
Hardness: SH 60 / density 0,55
Insert: 27 x 0,76 mm wire
Oil resistant

33.395F



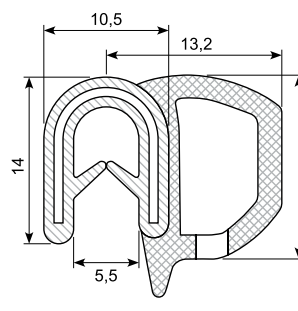
Edge trim: EPDM co-ex
Grip range: 1 - 3 mm
Hardness: SH 60 / density 0,8
Insert: 26 x 0,75 mm wire
Flame retardent EN 45545

33.381



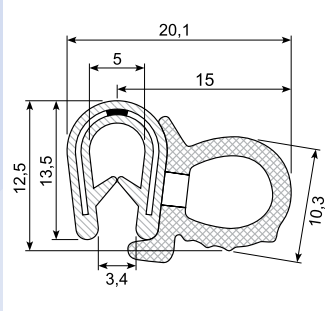
Edge trim: EPDM co-ex
Grip range: 1 - 2,5 mm
Hardness: SH 70 density 0,55
Insert: Wire

33.444A *



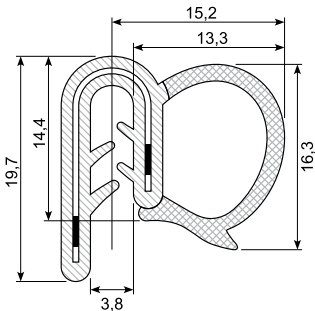
Edge trim: EPDM co-ex
Grip range: 1,5 - 4 mm
Hardness: SH 70 / density 0,55
Insert: Wire
Min. order: 1.000 m

33.372X



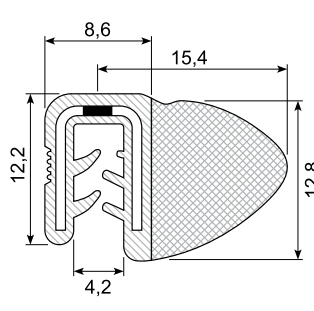
Edge trim: PVC + sponge rubber
Grip range: 1 - 3,5 mm
Hardness: SH 75 / 75 / density 0,6 - 0,85
Insert: 22 x 0,47 mm steel

33.506 *



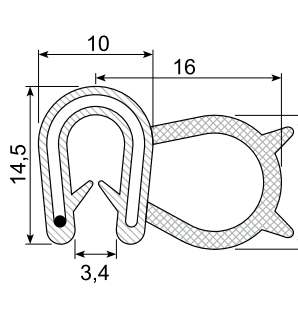
Edge trim: EPDM co-ex
Grip range: 1 - 2,5 mm
Hardness: SH 70 / density 0,6
Insert: 30 x 0,47 mm steel
On demand min. 4.000 m

33.480



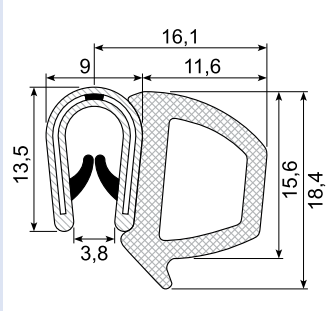
Edge trim: EPDM co-ex
Grip range: 1 - 3,5 mm
Hardness: SH 70 / density 0,55
Insert: Steel

33.396



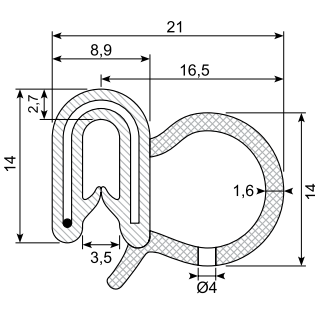
Edge trim: EPDM co-ex
Grip range: 1 - 3 mm
Hardness: SH 70
density 0,6 - 0,85
Insert: 27 mm wire

33.444X



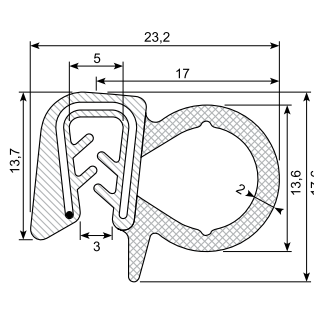
Edge trim: PVC + sponge rubber
Grip range: 1 - 3,5 mm
Hardness: SH75/75/density 0,6-0,86
Insert: 26 x 0,47 mm steel
Red lips

33.319



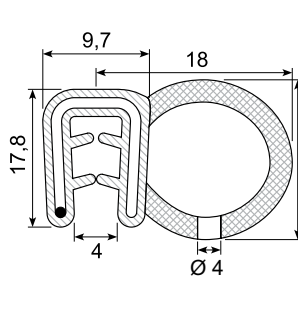
Edge trim: EPDM co-ex
Grip range: 1 - 3 mm
Hardness: SH 70 / density 0,6 0,85
Insert: Wire

33.319F *



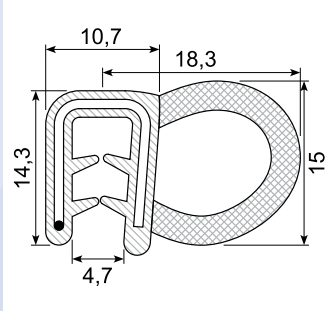
Edge trim: EPDM co-ex
Grip range: 1 - 2 mm
Hardness: SH 70 / density 0,6
Insert: 26 x 0,75 mm wire
Flame retardent NFF16-101
Min. order: 3.000 m

33.323



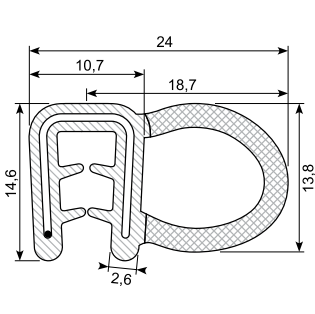
Edge trim: EPDM co-ex
Grip range: 1,5 - 3,5 mm
Hardness: SH 70
density 0,6 - 0,85
Insert: 27 mm

33.324CR



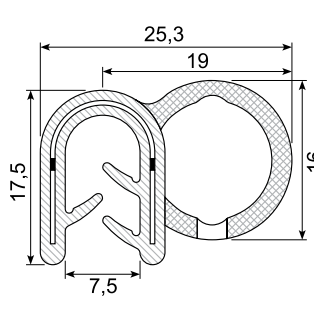
Edge trim: CR co-ex
Grip range: 1 - 3,5 mm
Hardness: SH70 / density 0,6 - 0,85
Insert: 29 mm wire
Conditional oil resistant

33.338F



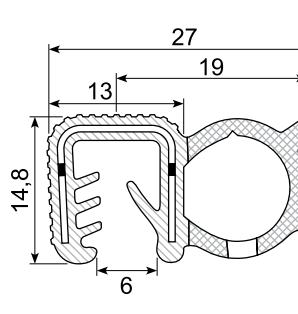
Edge trim: EPDM co-ex
Grip range: 1,5 - 3 mm
Hardness: SH 65 / density 0,60
Insert: 30 x 0,75 mm wire
Flame redardent EN45545

33.450NBR



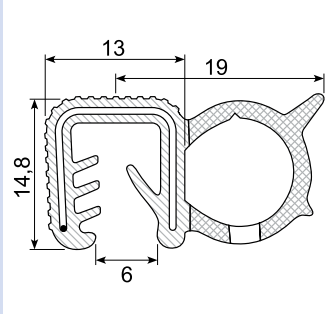
Edge trim: NBR co-ex
Grip range: 4 - 6 mm (3 - 6 mm)
Hardness: SH 70 / density 0,55
Insert: 34 x 0,5 mm steel
Oil resistant

33.457



Edge trim: EPDM co-ex
Grip range: 5 - 6 mm
Hardness: SH 60 / density 0,6
Insert: 32 x 0,6 mm steel unbroken

33.457ST

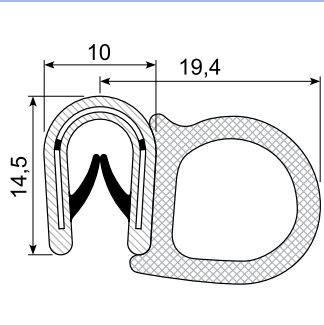


Edge trim: EPDM co-ex
Grip range: 5 - 6 mm
Hardness: SH 60 / density 0,55
Insert: 31 x 0,76 mm wire

* Skaffevare / Special order item

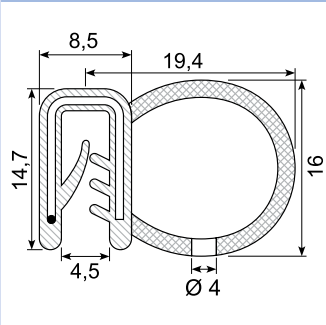
SINDBY PROFILES 5 - 00129-5-k201902

33.449



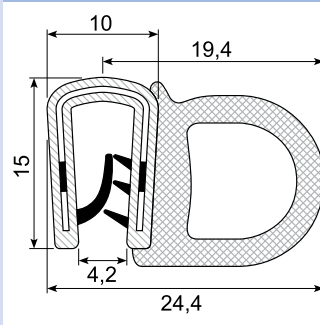
Edge trim: PVC+bi / sponge rubber
Grip range: 1 - 4 mm
Hardness: SH78/57 / density 0,55
Insert: 26 x 0,5 mm steel

33.321



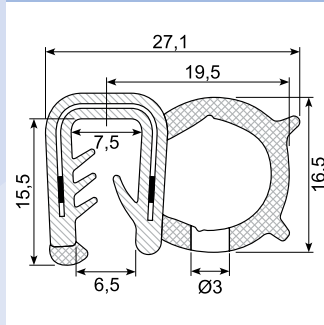
Edge trim: EPDM co-ex
Grip range: 1 - 3,5 mm
Hardness: SH 70 / density 0,6 - 0,85
Insert: 27 mm wire

33.452R



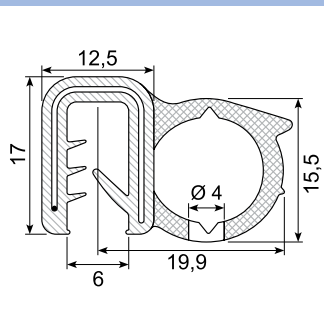
Edge trim: PVC+bi / sponge rubber
Grip range: 2 - 4 mm
Hardness: SH 78 / 65
density 0,65 - 0,75
Insert: 29 x 0,48 mm stainless steel

33.457S-6



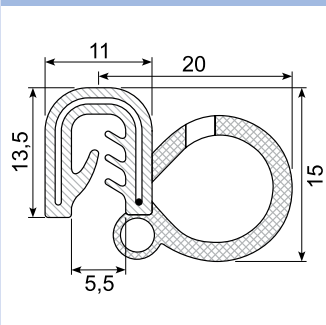
Edge trim: EPDM co-ex
Grip range: 3 - 6 mm
Hardness: SH 70 / density 0,6
Insert: 32 x 0,47 steel

33.024



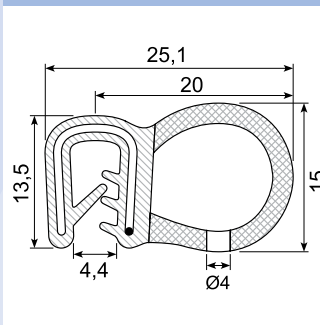
Edge trim: EPDM co-ex
Grip range: 2 - 4 mm (2 - 5 mm)
Hardness: SH 70 / density 0,55
Insert: 33 mm wire

33.454X



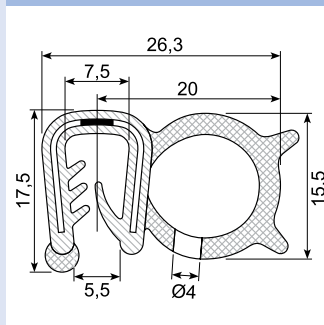
Edge trim: EPDM co-ex
Grip range: 2 mm
Hardness: SH 70 / density 0,55
Insert: 27 x 0,76 mm wire

33.335



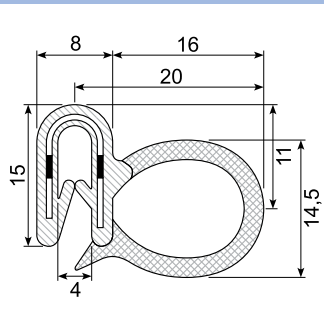
Edge trim: EPDM co-ex
Grip range: 1,5 - 3,5 mm
Hardness: SH70/density 0,55-0,85
Insert: 27 mm wire

33.457S-4 *



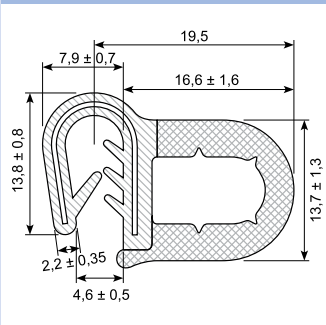
Edge trim: EPDM co-ex
Grip range: 2 - 4 mm
Hardness: SH 70 / density 0,6
Insert: Steel
Min. order: 3.000 m

33.333 *



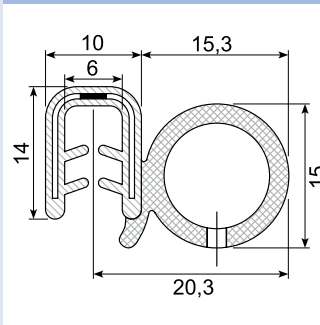
Edge trim: EPDM co-ex
Grip range: 1 - 3 mm
Hardness: SH 65 / density 0,6
Insert: 29 x 0,5 mm steel
Min. order: 4.000 m

33.451E



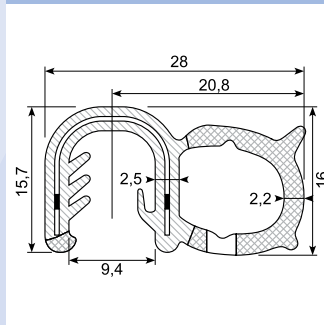
Edge trim: EPDM co-ex
Grip range: 2 - 5 mm
Hardness: SH 70 / density 0,6
Insert: 30 mm steel

33.020



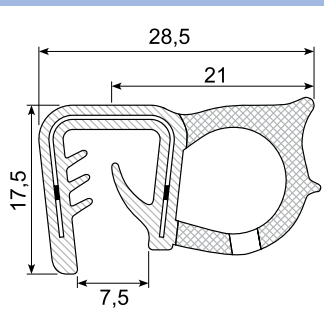
Edge trim: EPDM co-ex
Grip range: 1,5 - 3 mm
Hardness: SH 70 / density 0,55
Insert: 27 x 0,47 mm steel

33.332X *



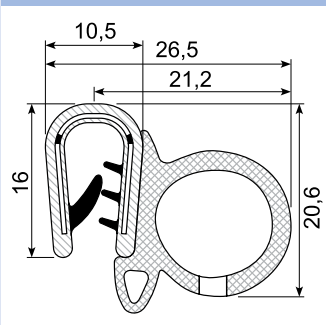
Edge trim: EPDM co-ex
Grip range: 5 - 6 mm
Hardness: SH 70 / density 0,6
Insert: 33 x 0,5 steel
Min. order: 5.000 m

33.470



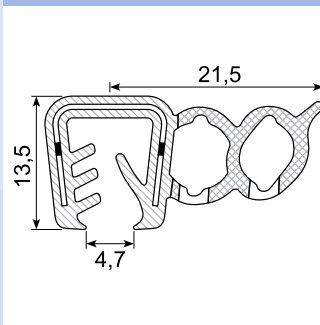
Edge trim: EPDM co-ex
Grip range: 5 - 8 mm
Hardness: SH 70 / density 0,6
Insert: 36 x 0,5 mm steel

33.339X



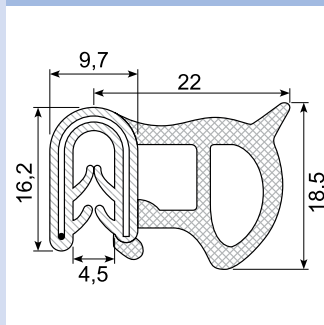
Edge trim: PVC+bi / sponge rubber
Grip range: 2,5 - 4 mm
Hardness: SH 78 / 65
Insert: Steel

33.456 *



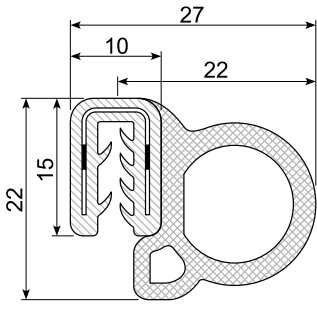
Edge trim: EPDM co-ex
Grip range: 5 - 6 mm
Hardness: SH 70 / density 0,6
Insert: 30 x 0,6 mm steel
Min. order: 4.000 m

33.12116 *



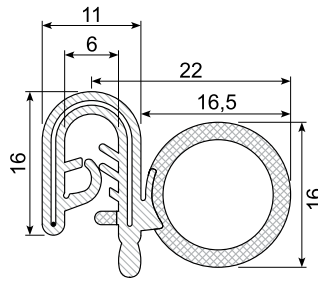
Edge trim: EPDM co-ex
Grip range: 1 - 4 mm
Hardness: SH 70 / density 0,6 - 0,85
Insert: 29 mm wire
Min. order: 3.000 m

33.328 *



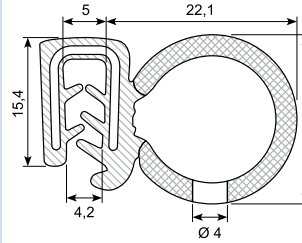
Edge trim: EPDM co-ex
Grip range: 1,5 - 2,5 mm
Hardness: SH 65 / density 0,6
Insert: 29 x 0,5 mm steel
Min. order: 4.000 m

33.022



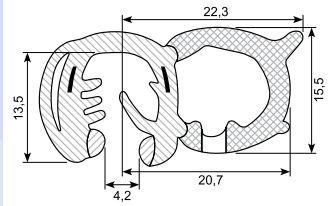
Edge trim: EPDM co-ex
Grip range: 1,5 - 3 mm (1,5 - 4 mm)
Hardness: SH 70 / density 0,6
Insert: 33 mm wire

33.340



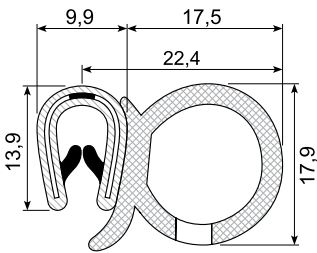
Edge trim: EPDM co-ex
Grip range: 2 - 4 mm
Hardness: SH 70
Insert: 29 x 0,74 mm steel

33.332B *



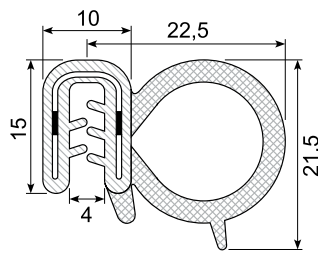
Edge trim: EPDM co-ex
Grip range: 3 - 6 mm
Hardness: SH 70 / density 0,55
Insert: 32 mm Steel
Min. order: 1.000 m

33.453X



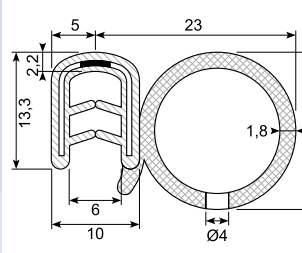
Edge trim: PVC + sponge rubber
Grip range: 1 - 3,5 mm
Hardness: SH75/75 density 0,6-0,85
Insert: 26 x 0,47 mm steel

33.320 *



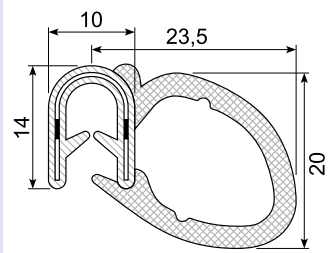
Edge trim: EPDM co-ex
Grip range: 1 - 2,5 mm
Hardness: SH 65 / density 0,6
Insert: 29 x 0,5 mm steel
Min. order: 4.000 m

33.019



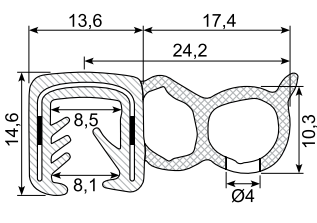
Edge trim: EPDM co-ex
Grip range: 1 - 4 mm
Hardness: SH 70 / density 0,6 - 0,85
Insert: Steel

33.447



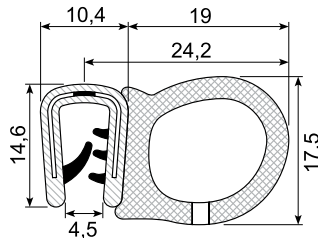
Edge trim: EPDM co-ex
Grip range: 2,5 - 5 mm
Hardness: SH 70 / density 0,6
Insert: Steel

33.455



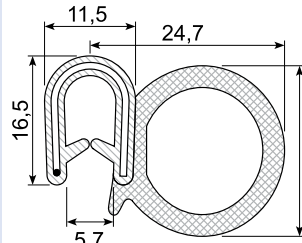
Edge trim: EPDM co-ex
Grip range: 4 - 6 mm
Hardness: SH 70 / density 0,6
Insert: Steel unbroken

33.452X



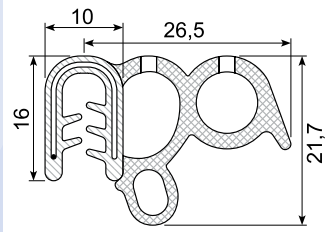
Edge trim: PVC+bi / sponge rubber
Grip range: 2 - 4 mm
Hardness: SH 78 / 65
density 0,65 - 0,75
Insert: 29 x 0,48 mm

33.326



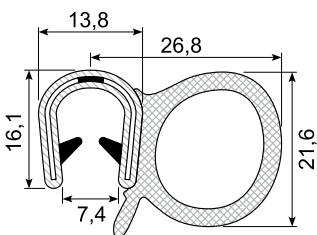
Edge trim: EPDM co-ex
Grip range: 1,5 - 4 mm
Hardness: SH70/density 0,55 - 0,85
Insert: 33 mm wire

33.464



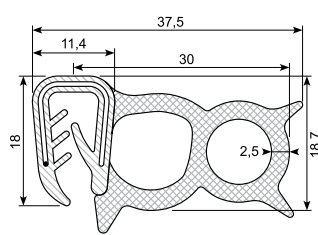
Edge trim: EPDM co-ex
Grip range: 1,5 - 3,5 mm
Hardness: SH 70 / density 0,6
Insert: 31 x 0,75 mm wire

33.331



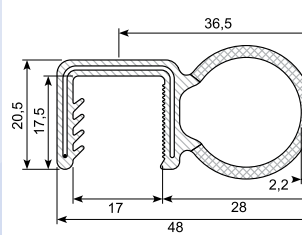
Edge trim: PVC + sponge rubber
Grip range: 6 - 8 mm
Hardness: SH75/75 density 0,6-0,85
Insert: 30 x 0,47 mm steel
White lips

33.456F



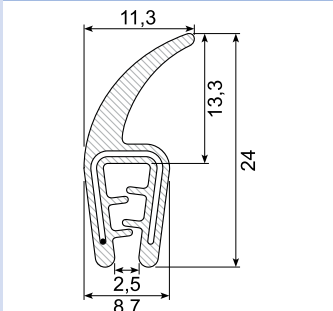
Edge trim: EPDM co-ex
Grip range: 2 - 4 mm
Hardness: SH 65 / density 0,6
Insert: 31 x 0,75 mm wire
Flame retardant NFF16-101
Min. order: 3.000 m

33.478 *



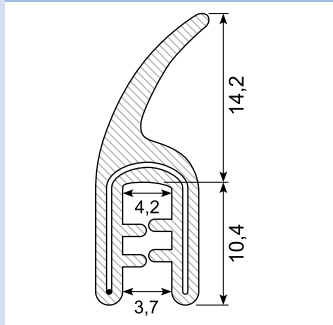
Edge trim: EPDM co-ex
Grip range: 16 mm
Hardness: SH 60 / density 0,6
Insert: 52 x 0,76 mm wire
Min. order: 3.000 m

33.458X



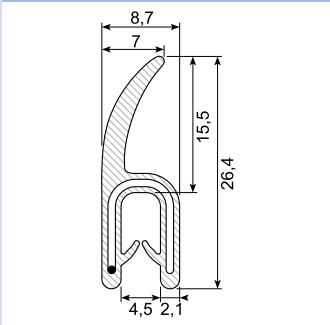
Edge trim: EPDM solid lip
Grip range: 1 - 2,5 mm
Hardness: SH 60
Insert: 26 x 0,76 mm wire

33.458A



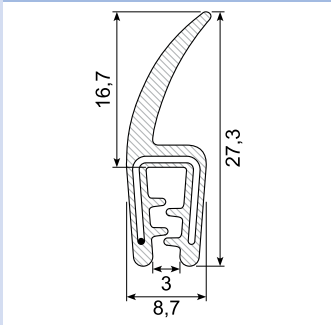
Edge trim: EPDM co-ex
Grip range: 1 - 3 mm
Hardness: SH 70
Insert: Wire

33.465C



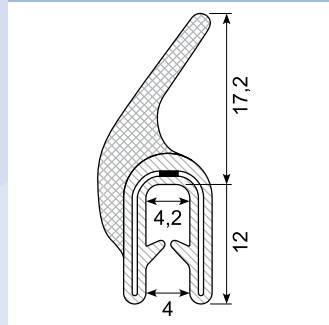
Edge trim: EPDM solid lip
Grip range: 2 - 4 mm
Hardness: SH 70
Insert: 27 x 0,76 wire

33.465X



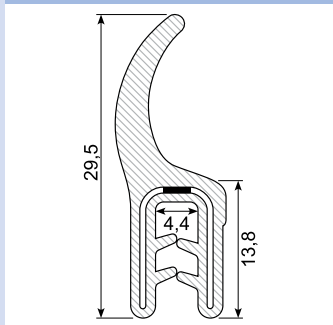
Edge trim: EPDM solid lip
Grip range: 1 - 3 mm
Hardness: SH 60
Insert: 26 x 0,76 mm wire

33.479



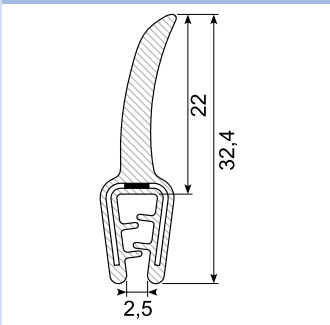
Edge trim: EPDM co-ex
Grip range: 2 - 4 mm
Hardness: SH 70 / density 0,6
Insert: Steel

33.465B *



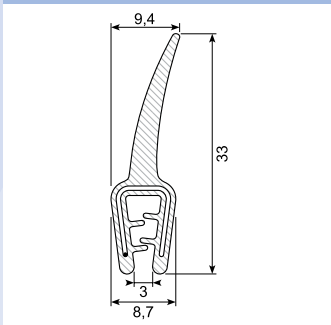
Edge trim: EPDM solid lip
Grip range: 1 - 3 mm
Hardness: SH 70
Insert: 27 x 0,5 mm steel unbroken
Min. ordre: 3.000 m

33.459P



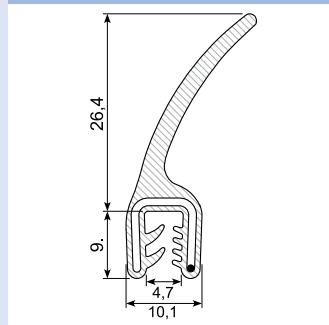
Edge trim: PVC solid lip
Grip range: 1 - 2,5 mm
Hardness: SH 57
Insert: 24 x 0,5 mm steel unbroken

33.459X



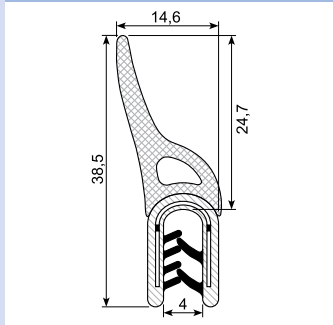
Edge trim: EPDM solid lip
Grip range: 1 - 2,5 mm
Hardness: SH 60
Insert: 26 x 0,76 mm wire

33.459B



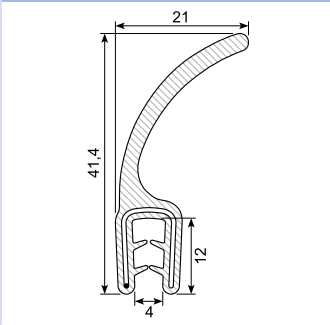
Edge trim: EPDM solid lip
Grip range: 1,5 - 3 mm
Hardness: SH 70
Insert: Wire

33.475



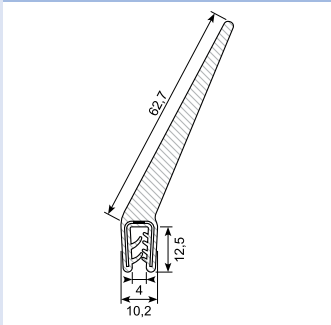
Edge trim: PVC + bi / sponge rubber
Grip range: 2 - 4 mm
Hardness: SH 78 / 57 / density 0,55
Insert: Steel

33.459C *



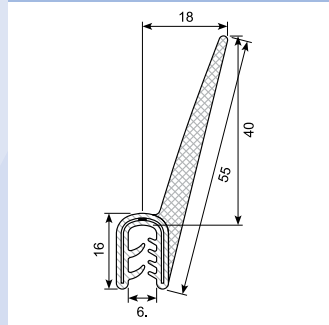
Edge trim: EPDM co-ex, solid lip
Grip range: 2 - 4 mm
Hardness: SH 60
Insert: 29 x 0,76 wire
Min. order: 6.000 m

33.382



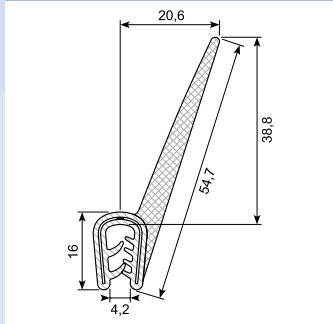
Edge trim: EPDM co-ex, solid lip
Grip range: 1 - 3,5 mm
Hardness: SH 70
Insert: Steel

33.482



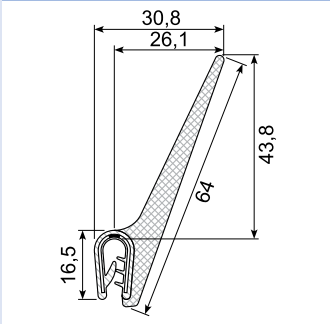
Edge trim: EPDM co-ex, solid lip
Grip range: 2 - 4,5 mm
Hardness: SH 70
Insert: 30 x 0,47 mm steel

33.483



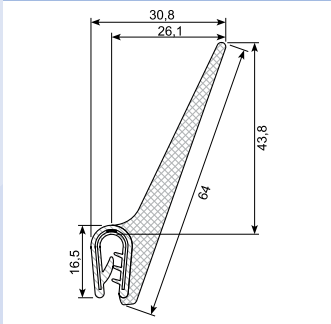
Edge trim: EPDM co-ex, solid lip
Grip range: 1 - 2,5 mm
Hardness: SH 70
Insert: 30 x 0,47 mm steel

33.460-2C



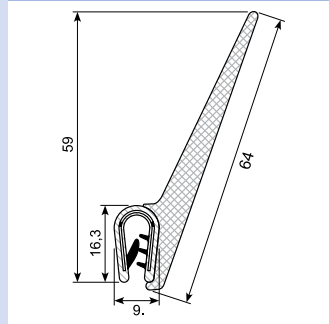
Edge trim: EPDM co-ex
Grip range: 1 - 2,5 mm
Hardness: SH 70 / density 0,6
Insert: 31 x 0,5 mm steel unbroken

33.460-2F *



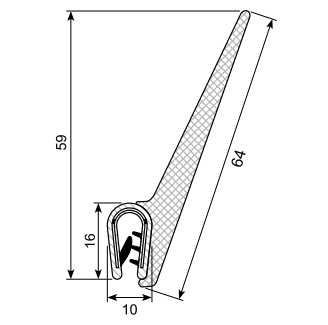
Edge trim: EPDM co-ex
Grip range: 1 - 2,5 mm
Hardness: SH 65 / density 0,6
Insert: 31 x 0,5 mm steel
Flame retardent NFF16-101
Min. order: 3.000 m

33.460-2X



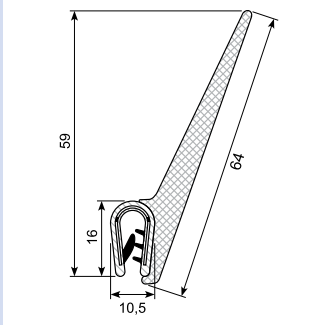
Edge trim: PVC+bi / sponge rubber
Grip range: 1 - 2,5 mm
Hardness: SH 78/57 / density 0,6
Insert: 31 x 0,5 mm steel

33.460-4X



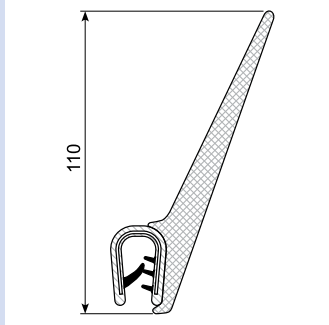
Edge trim: PVC+bi / sponge rubber
Grip range: 2 - 4 mm
Hardness: SH 78/57 / density 0,6
Insert: 31 x 0,5 mm steel

33.460-6X



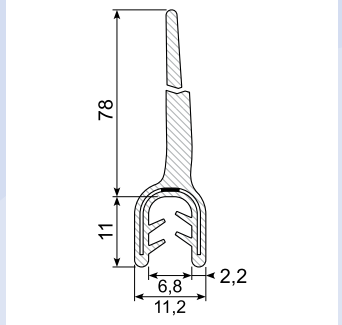
Edge trim: PVC+bi / sponge rubber
Grip range: 4 - 6 mm 25 m
Hardness: SH 78/57 / density 0,6
Insert: 31 x 0,5 mm steel

33.460-6XL



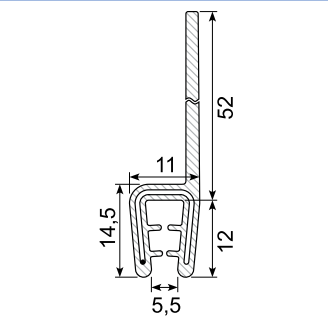
Edge trim: PVC bi/sponge rubber
Grip range: 3 - 6 mm
Hardness: SH 75/57 density 0,6
Insert: Steel

33.472



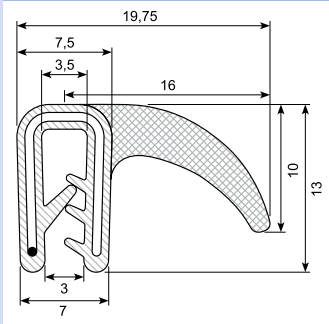
Edge trim: EPDM solid lip
Grip range: 2 - 4 mm
Hardness: SH 70
Insert: 29 x 0,5 mm unbroken

33.471



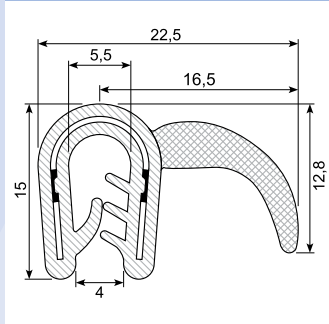
Edge trim: EPDM solid lip
Grip range: 3 - 4 mm
Hardness: SH 60 solid lip
Insert: 29 x 0,76 mm wire

33.443X



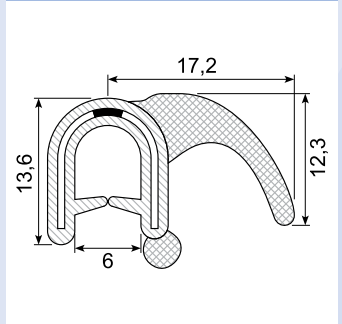
Edge trim: EPDM co-ex
Grip range: 1 - 2 mm
Hardness: SH 60 / density 0,6
Insert: Wire

33.383



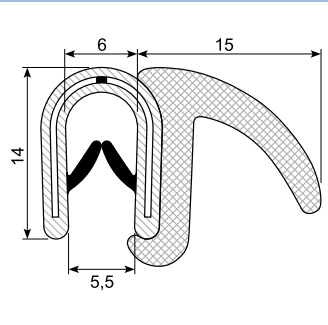
Edge trim: EPDM co-ex
Grip range: 2 - 4 mm
Hardness: SH 70 / density 0,6
Insert: 30 x 0,5 steel

33.474



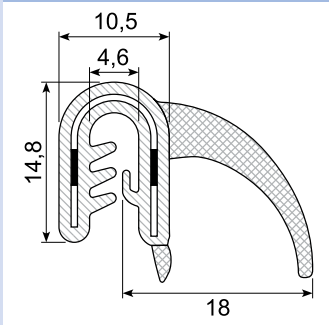
Edge trim: EPDM co-ex
Grip range: 2 - 5 mm
Hardness: SH 70 / density 0,6 - 0,85
Insert: 27 mm steel

33.439A



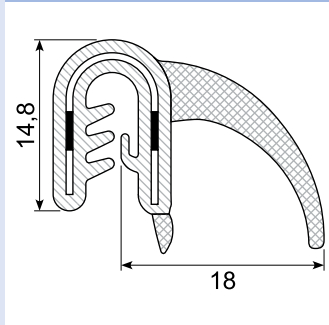
Edge trim: PVC+bi / sponge rubber
Grip range: 1 - 4 mm
Hardness: SH 78/57 / density 0,6
Insert: 26 x 0,5 mm steel
Yellow lips

33.026



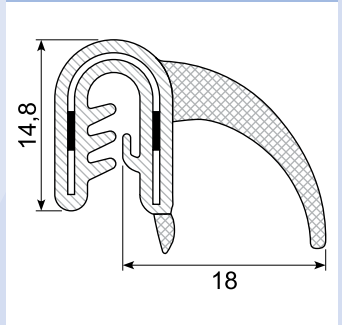
Edge trim: EPDM co-ex
Grip range: 1,5 - 2 mm (1 - 3,5 mm)
Hardness: SH 70 / density 0,55
Insert: 26 x 0,76 mm wire

33.026XA



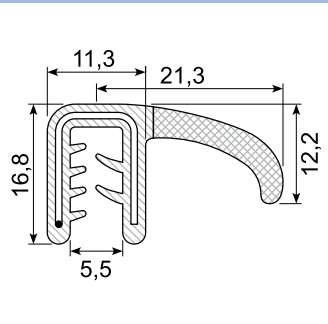
Edge trim: EPDM co-ex
Grip range: 2 - 3 mm
Hardness: SH 70 / density 0,55
Insert: 26 x 0,76 mm wire

33.026X



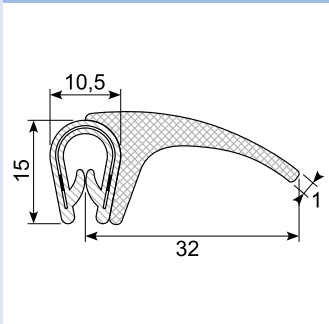
Edge trim: EPDM co-ex
Grip range: 3 - 4 mm
Hardness: SH 70 / density 0,55
Insert: 26 x 0,76 mm wire

33.436



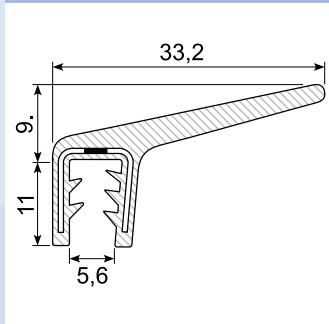
Edge trim: EPDM co-ex
Grip range: 2 - 4 mm
Hardness: SH 70 / density 0,6
Insert: 33 mm wire

33.442



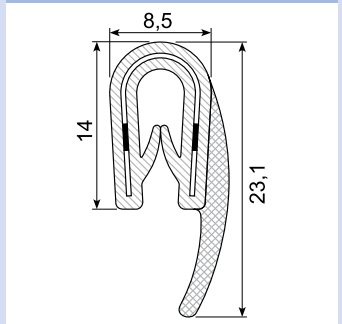
Edge trim: EPDM co-ex
Grip range: 1 - 3 mm
Hardness: SH 70 / density 0,65
Insert: 29 mm steel

33.473



Edge trim: EPDM co-ex
Grip range: 2 - 5 mm
Hardness: SH 70
Insert: 27 x 0,47 mm steel

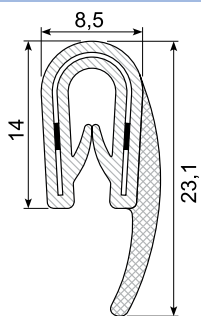
33.462



Edge trim: PVC / sponge rubber
Grip range: 1 - 2,5 mm
Hardness: SH 78/density 0,65 - 0,75
Insert: 25 x 0,48 mm steel

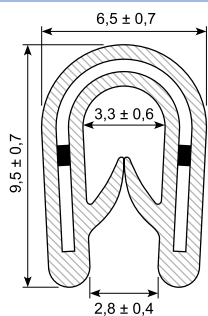
Kantlister / Edge trims

33.462R



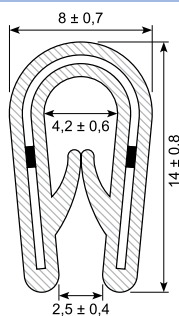
Edge trim: PVC / sponge rubber
 Grip range: 1 - 2,5 mm
 Hardness: SH 78/density 0,65 - 0,75
 Insert: 25 x 0,48 mm
 stainless steel

33.409ALU



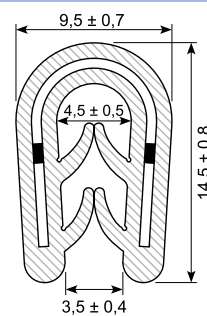
Edge trim: PVC black
 Grip range: 0,8 - 2 mm
 Hardness: SH 75
 Insert: 17,5 mm aluminium
 Min. order: 10.000 m

33.310ALU



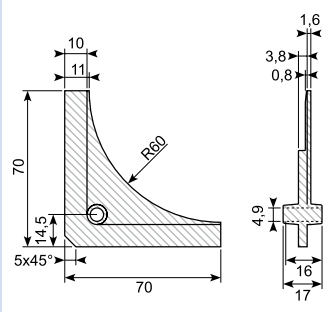
Edge trim: PVC black
 Grip range: 1 - 2,5 mm
 Hardness: SH 75
 Insert: 26 mm aluminium
 Min. order: 10.000 m

33.432ALU



Edge trim: EPDM
 Grip range: 2 - 4 mm
 Hardness: SH 65
 Insert: 26 mm aluminium
 Min. order: 10.000 m

33.000 *



Nylon hjørnestykke
 PA6 + 30% GF
 Sikrer korrekt hjørneradius
 Min. order: 100

Alu-profiler / Alu profiles

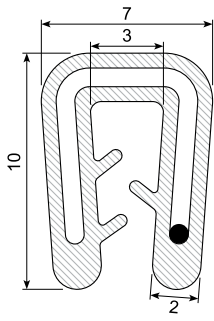
Mangler du alu-profiler, kan vi skaffe dem i mange forskellige størrelser og former.

Are you looking for alu profiles? We can get a them in a lot of sizes and shapes.



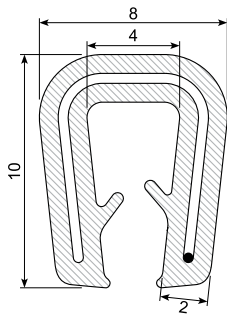
Silikonekantlister / Silicone edge trims

33.311



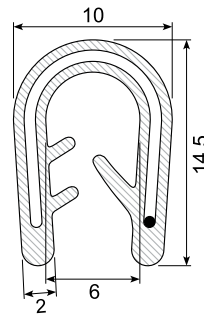
Edge trim: Silicone black
Grip range: 1 - 2 mm
Hardness: SH 60
Insert: Wire 18 x 0,76 mm
Heat resistant 200° C

33.510



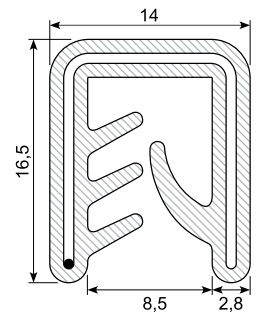
Edge trim: Silicone black
Grip range: 1 - 3 mm
Hardness: SH 60
Insert: Wire 26 x 0,76 mm
Heat resistant 200° C

33.312



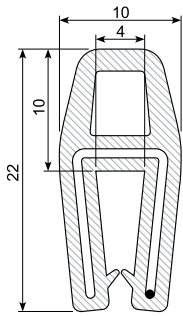
Edge trim: Silicone
Grip range: 2 - 4 mm
Hardness: SH 60
Insert: Wire
Heat resistant 200° C

33.429



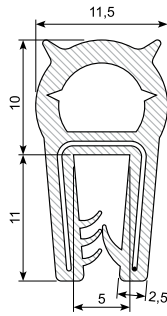
Edge trim: Silicone black
Grip range: 3 - 6 mm (5 - 7 mm)
Hardness: SH 60
Insert: Wire 39 x 0,76 mm
Heat resistant 200° C

33.511



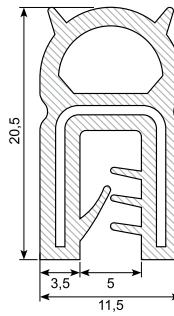
Edge trim: Silicone
Grip range: 1,5 - 4 mm
Hardness: SH 50
Insert: Wire
Heat resistant 200° C

33.512



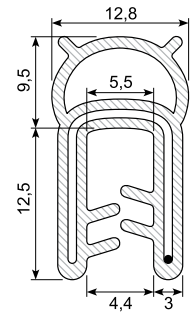
Edge trim: Silicone
Grip range: 1 - 3,5 mm
Hardness: SH 50
Insert: Wire
Heat resistant 200° C

33.513



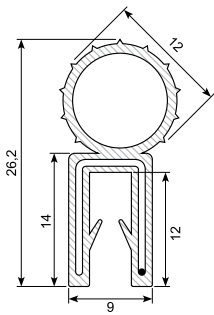
Edge trim: Silicone
Grip range: 1,5 - 3,5 mm
Hardness: SH 50
Insert: Wire
Heat resistant 200° C

33.431A



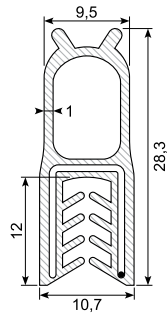
Edge trim: Silicone light grey
RAL 7035
Grip range: 2 - 4 mm
Hardness: SH 60/60 Solid balloon
Insert: Wire
Heat resistant 200°C. FDA conform

33.514



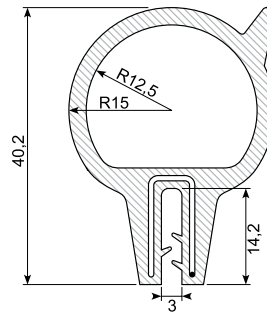
Edge trim: Silicone
Grip range: 1,5 - 3 mm
Hardness: SH 75
Insert: Wire
Heat resistant 200° C

33.515



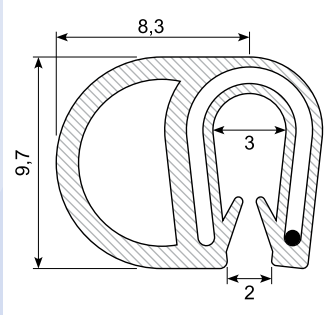
Edge trim: Silicone
Grip range: 1 - 2,5 mm
Hardness: SH 75
Insert: Wire
Heat resistant 200° C

33.516



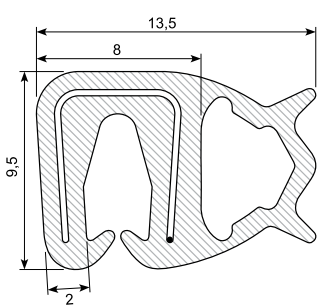
Edge trim: Silicone
Grip range: 2 - 3 mm
Hardness: SH 75
Insert: Wire
Heat resistant 200° C

33.517



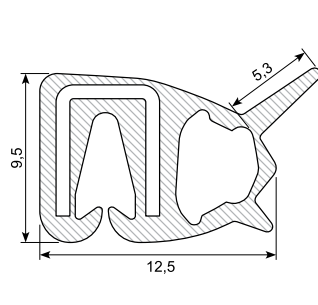
Edge trim: Silicone
Grip range: 2 - 3 mm
Hardness: SH 50
Insert: Wire
Heat resistant 200° C

33.518 *



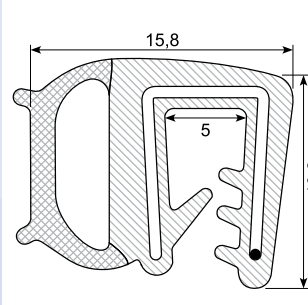
Edge trim: Silicone white
Grip range: 1,5 - 2,5 mm
Hardness: SH 60
Insert: Wire
Min. order: 500 m

33.519



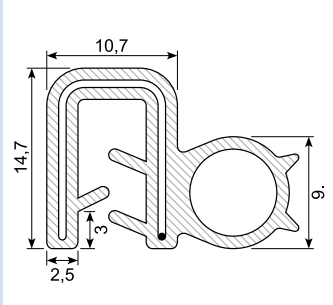
Edge trim: Silicone
Grip range: 1 - 2 mm
Hardness: SH 45
Insert: Wire
Heat resistant 200° C

33.520 *



Edge trim: Silicone co-ex
Color: Black and redbrown
Grip range: 1,5 - 3 mm
Hardness: SH 60 / density 0,4
Insert: Wire
Min. order: 500 m

33.521



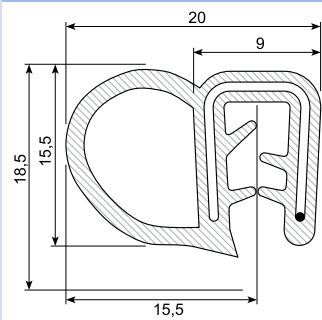
Edge trim: Silicone
Grip range: 1,5 - 4,5 mm
Hardness: SH 75
Insert: Wire
Heat resistant 200° C

* Skaffevare / Special order item

SINDBY PROFILES 5 - 00129-5-k201902

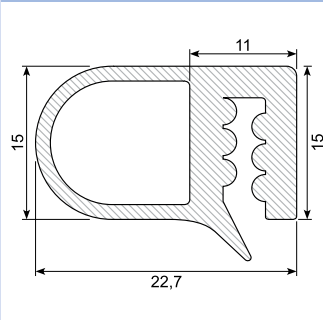
Silikonekantlister / Silicone edge trims

33.522 *



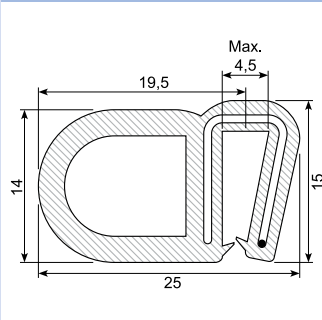
Edge trim: Silicone
Grip range: 1 - 2,5 mm
Insert: Wire
Heat resistant 200° C
Min. order: 2.000 m

33.523 *



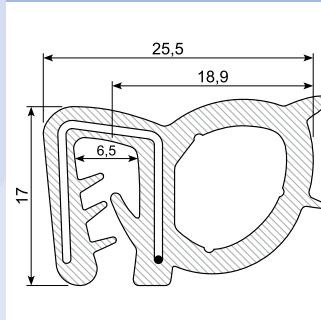
Edge trim: Silicone
Grip range: 1,5 - 2,5 mm
Hardness: SH 60
Insert: Wire
Heat resistant 200° C
Min. order: 500 m

33.524



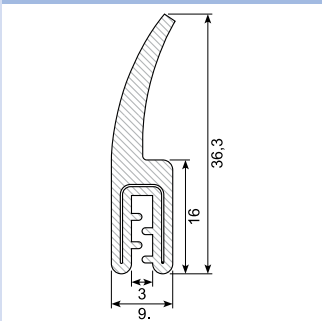
Edge trim: Silicone
Grip range: 2 - 4 mm
Hardness: SH 50
Insert: Wire
Heat resistant 200° C

33.525



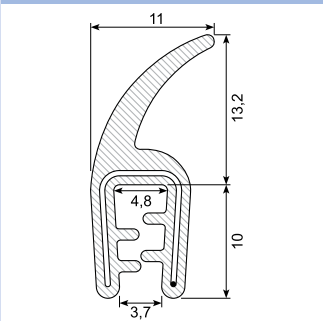
Edge trim: Silicone
Grip range: 3 - 6 mm
Hardness: SH 50
Insert: Wire
Heat resistant 200° C

33.526 *



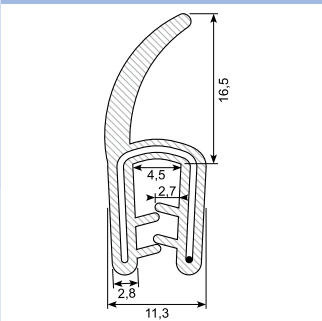
Edge trim: Silicone
Grip range: 1 - 2,5 mm
Hardness: SH 65
Insert: Wire
Heat resistant 200° C

33.527



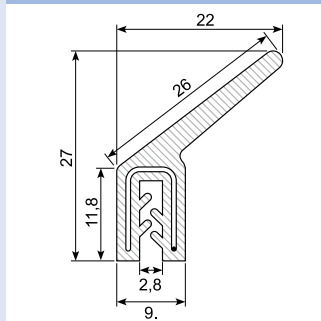
Edge trim: Silicone
Grip range: 1 - 2,5 mm
Hardness: SH 65
Insert: Wire
Heat resistant 200° C

33.528



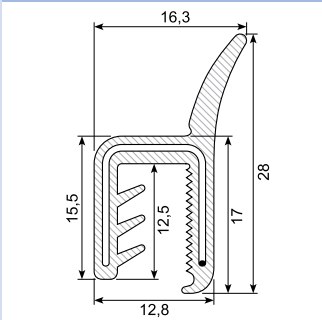
Edge trim: Silicone
Grip range: 1 - 3 mm
Hardness: SH 60
Insert: Wire
Heat resistant 200° C

33.529 *



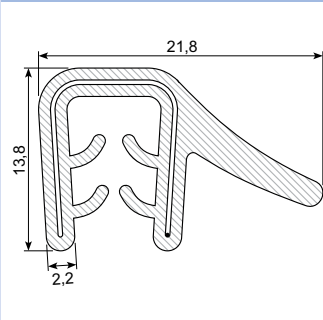
Edge trim: Silicone
Grip range: 1 - 1,5 mm
Hardness: SH 80
Insert: Wire
Heat resistant 200° C
Min. order: 500 m

33.530



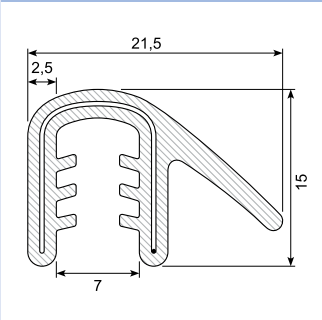
Edge trim: Silicone
Grip range: 3,5 - 5 mm
Hardness: SH 70
Insert: Wire
Heat resistant 200° C
DIN 5510-2 S4ST2

33.531 *



Edge trim: Silicone
Grip range: 2,5 - 5,5 mm
Hardness: SH 70
Insert: Wire
Heat resistant 200° C
Min. order: 500 m

33.532

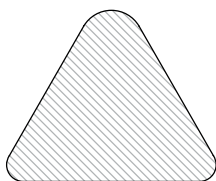
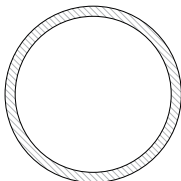
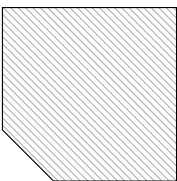
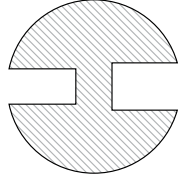
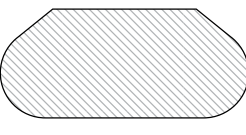
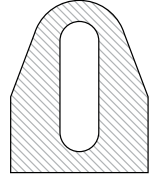
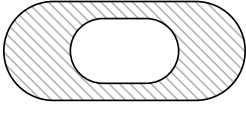
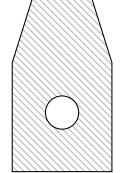


Edge trim: Silicone
Grip range: 5,5 - 6,5 mm
Hardness: SH 65
Insert: Wire
Heat resistant 200° C

Silikoneskaffeprofiler / Silicone order profiles

Hent kataloget med silikoneskaffeprofiler på vores hjemmeside. bibus-sindby.dk

Download the catalog with silicone order profiles on our homepage. bibus-sindby.dk

| | | | | |
|--|--|--|--|--|
| Group 0010  | Group 0021  | Group 0023  | Group 0107  | Group 0030  |
| Group 0011  | Group 0175  | Group 0201  | Group 0106  | Group 0120  |
| Group 0012  | Group 0022  | Group 0024  | Group 0209  | Group 0124  |
| Group 0020  | Group 0101  | Group 0025  | Group 0111  | Group 0126  |
| Group 0121  | Group 0100  | Group 0109  | Group 0110  | Group 0125  |
| Group 0139  | Group 0108  | Group 0153  | Group 0112  | Group 0160  |
| Group 0150  | Group 0186  | Group 0169  | Group 0192  | Group 0159  |
| Group 0178  | Group 0113  | Group 0208  | Group 0214  | Group 0119  |

Silikoneskaffeprofiler / Silicone order profiles

| | | | | |
|------------------------|-----------------------|-----------------------|-----------------------|-----------------------|
| Group 0102 | Group 0104 | Group 0129 | Group 0127 | Group 0171 |
| Group 0517 | Group 0145 | Group 0130 | Group 0191 | Group 0516 |
| Group 0102A | Group 0179 | Group 0131 | Group 0206 | Group 0144 |
| Group 0103 | Group 0105 | Group 0132 | Group 0134 | Group 0194 |
| Group 0103A | Group 0172 | Group 0133 | Group 0211 | Group 0147 |
| Group 0146 | Group 0188 | Group 0181 | Group 0167 | Group 0128 |
| Group 0199 | Group 0158 | Group 0170 | Group 0140 | Group 0137 |
| Group 0155 | Group 0141 | Group 0207 | Group 0508 | Group 0148 |

Silikoneskaffeprofiler / Silicone order profiles

| | | | | |
|-----------------------|-----------------------|-----------------------|-----------------------|-----------------------|
| Group 0122 | Group 0176 | Group 0177 | Group 0143 | Group 0164 |
| Group 0123 | Group 0197 | Group 0165 | Group 0117 | Group 0166 |
| Group 0157 | Group 0173 | Group 0182 | Group 0187 | Group 0138 |
| Group 0151 | Group 0189 | Group 0190 | Group 0115 | Group 0196 |
| Group 0200 | Group 0152 | Group 0215 | Group 0210 | Group 0205 |
| Group 0180 | Group 0168 | Group 0198 | Group 0213 | Group 0163 |
| Group 0156 | | | Group 0142 | Group 0154 |
| | | | | Group 0512 |

Silikonesskaffeprofiler / Silicone order profiles

| | | | | |
|--|--|--|--|--|
| Group 0193  | Group 0183  | Group 0202  | Group 0116  | Group 0510  |
| Group 0193  | Group 0514  | Group 0195  | Group 0501  | |
| Group 0174  | Group 0507  | Group 0203  | Group 0502  | |
| Group 0184  | | Group 0212  | Group 0503  | |
| Group 0184  | Group 0118  | Group 0185  | Group 0504  | |
| Group 0513  | Group 0161  | Group 0204  | Group 0505  | |
| Group 0136  | Group 0515  | Group 0511  | Group 0506  | |
| Group 0135  | | | Group 0509  | |

POM-profiler / POM edge trims

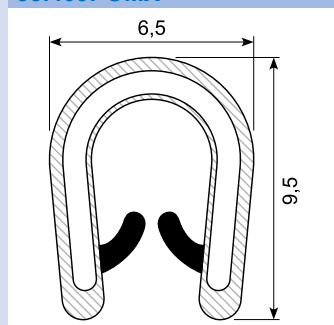
POM-profiler

- En meget mere fleksibel opbygning med dets hukommelseeffekt
- POM-profiler vejer meget mindre end profiler med metal indlæg
- POM-profiler kan ikke ruste eller oxidere
- Fremstillingen af POM-profiler er meget nemmere end profiler med metal indlæg
- Større sikkerhed ved montering. Man undgår rifter fra skarpe metalstykker
- POM-indlæg er ikke ledende som metal og kan derfor anvendes til beskyttelse eller overflade materiale

POM-profiles

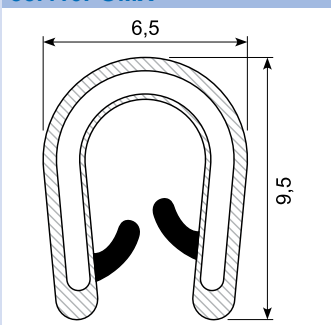
- A much more flexible structure with its memory effect
- POM-supported profiles is much lighter than metal-based profiles
- Over time, no metallic corrosion and oxidize
- Processing of manufacturing for POM-backed profiles is much easier than metal-backed profiles
- During installation does not damage human health such as sinking or cutting
- POM is not conductive support material, such as metal supports therefore wherever used in protection and coating material

33.409POMX



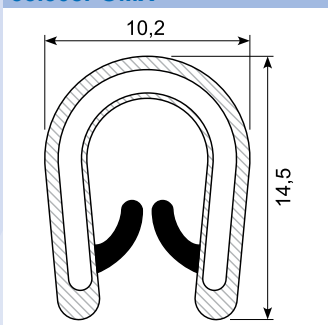
Edge trim: PVC + bi
Grip range: 0,8 - 2 mm
Hardness: SH 75 / 65
Insert: POM plastic
No rust. Easy cutting.

33.410POMX



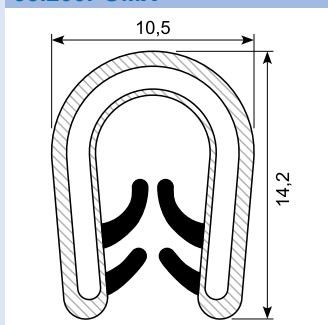
Edge trim: PVC + bi
Grip range: 0,8 - 2 mm
Hardness: SH 75 / 65
Insert: POM plastic
No rust. Easy cutting.

33.308POMX



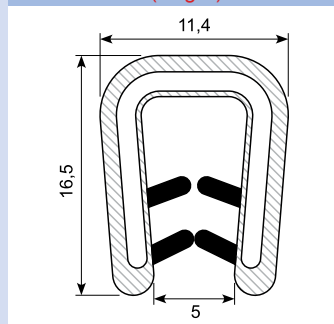
Edge trim: PVC + bi
Grip range: 1 - 4 mm
Hardness: SH 75 / 65
Insert: POM plastic
No rust. Easy cutting.

33.200POMX



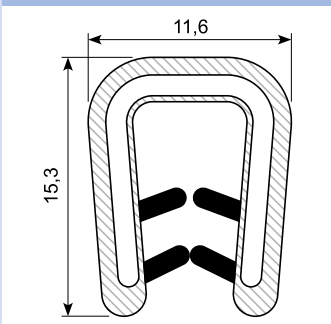
Edge trim: PVC + bi
Grip range: 1,5 - 4 mm
Hardness: SH 75 / 65
Insert: POM plastic
No rust. Easy cutting.

33.201POM (Udgår)



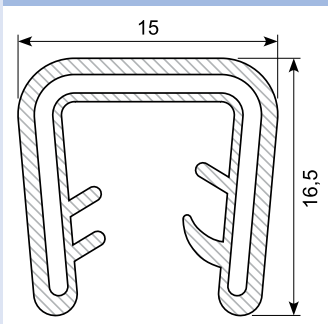
Edge trim: PVC + bi
Grip range: 2 - 4 mm
Hardness: SH 75 / 65
Insert: POM plastic
No rust. Easy cutting.

33.201POMX



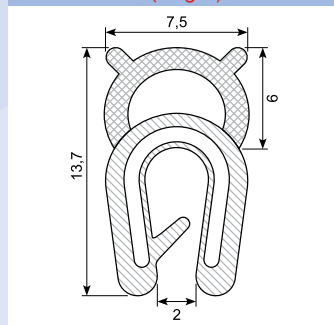
Edge trim: PVC + bi
Grip range: 2,5 - 5 mm
Hardness: SH 75 / 65
Insert: POM plastic
No rust. Easy cutting.

33.203POMX



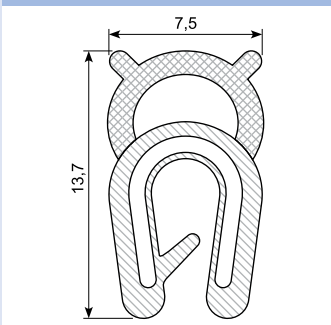
Edge trim: PVC + bi
Grip range: 5 - 8 mm
Hardness: SH 75 / 65
Insert: POM plastic
No rust. Easy cutting.

33.210POM (Udgår)



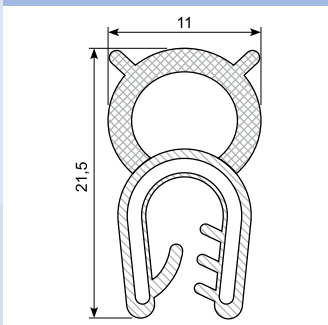
Edge trim: TPE co-ex
Grip range: 1 - 2 mm
Hardness: SH 75 / density 0,65
Insert: POM plastic
No rust. Easy cutting.

33.210POMX



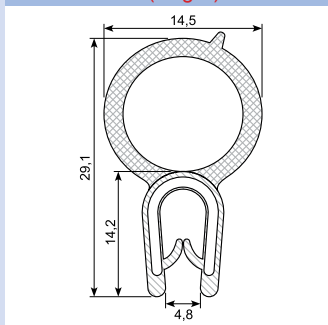
Edge trim: TPE co-ex
Grip range: 1 - 2 mm
Hardness: SH 75 / density 0,65
Insert: POM plastic
No rust. Easy cutting.

33.211POMX



Edge trim: TPE co-ex
Grip range: 1,5 - 4 mm
Hardness: SH 75 / density 0,65
Insert: POM plastic
No rust easy cutting

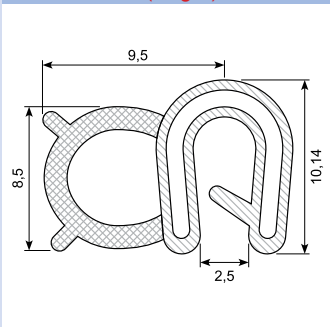
33.212POM (Udgår)



Edge trim: TPE co-ex
Grip range: 2 - 4 mm
Hardness: SH 75 / density 0,65
Insert: POM plastic
No rust easy cutting

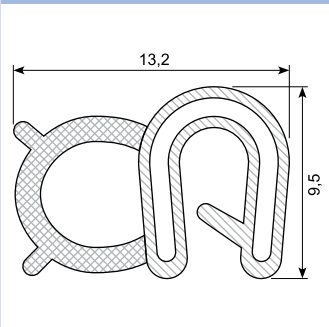
POM-profiler / POM edge trims

33.213POM (Udgår)



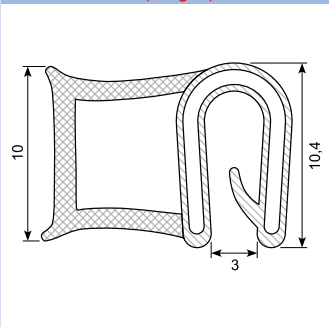
Edge trim: TPE co-ex
Grip range: 1 - 2 mm
Hardness: SH 75 / density 0,65
Insert: **POM plastic**
No rust easy cutting

33.213POMX



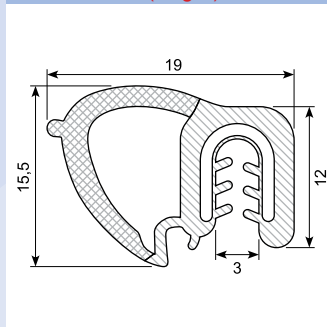
Edge trim: TPE co-ex
Grip range: 1 - 2 mm
Hardness: SH 75 / density 0,65
Insert: **POM plastic**
No rust easy cutting

33.214POM (Udgår)



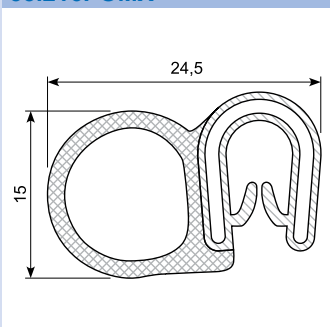
Edge trim: TPE co-ex
Grip range: 1 - 2 mm
Hardness: SH 75 / density 0,65
Insert: **POM plastic**
No rust easy cutting

33.215POM (Udgår)



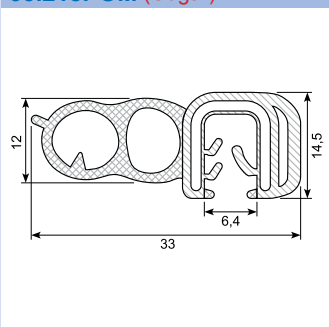
Edge trim: TPE co-ex
Grip range: 1 - 2 mm
Hardness: SH 75 / density 0,65
Insert: **POM plastic**
No rust easy cutting

33.216POMX



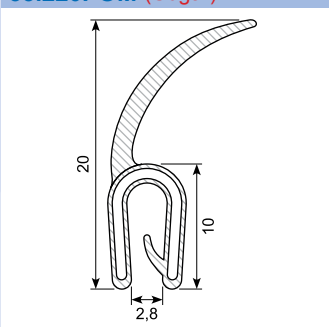
Edge trim: TPE co-ex
Grip range: 1,5 - 4 mm
Hardness: SH 75 / density 0,65
Insert: **POM plastic**
No rust easy cutting

33.218POM (Udgår)



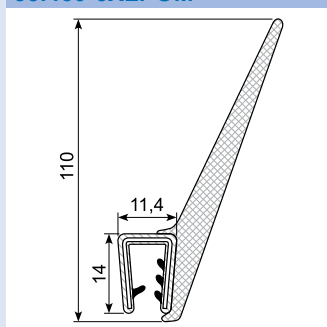
Edge trim: TPE co-ex
Grip range: 3 - 5 mm
Hardness: SH 75 / density 0,65
Insert: **POM plastic**
No rust easy cutting

33.220POM (Udgår)



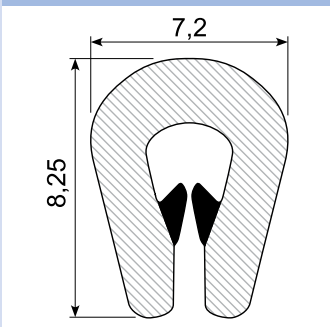
Edge trim: TPE
Grip range: 1 - 2 mm
Hardness: SH 75 / density 0,65
Insert: **POM plastic**
No rust easy cutting

33.460-6XLPOM



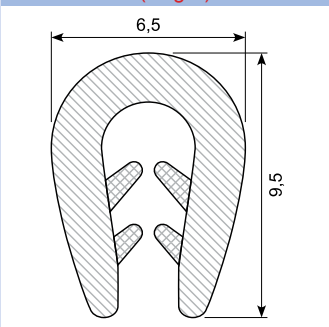
Edge trim: PVC bi/sponge rubber
Grip range: 2,5 - 5 mm
Hardness: SH 75/57 density 0,6
Insert: **POM plastic**
No rust. Easy cutting.

33.424 *



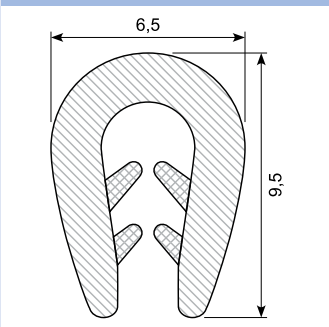
Edge trim: TPE + bi
Grip range: 0,8 - 2,5 mm
Hardness: SH 87 / 65 - 70
Insert: **None**
Alternative **33.424TPE**

33.424TPE (Udgår)



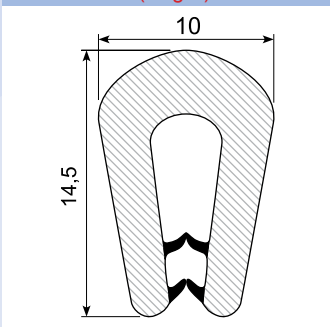
Edge trim: TPE + bi
Grip range: 1 - 2 mm
Hardness: SH 90 / 50
Insert: **None**

33.424TPEX



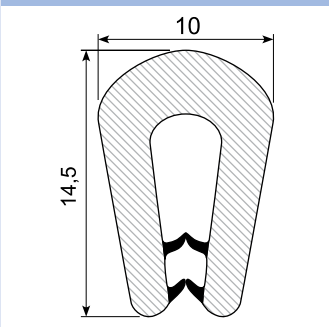
Edge trim: TPE + bi
Grip range: 1 - 2 mm
Hardness: SH 90 / 50
Insert: **None**

33.417TPE (Udgår)



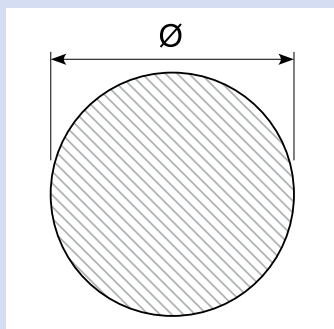
Edge trim: TPE + bi
Grip range: 1 - 4 mm
Hardness: SH 90 / 50
Insert: **None**

33.417TPEX



Edge trim: TPE + bi
Grip range: 1 - 4 mm
Hardness: SH 90 / 50
Insert: **None**

Gummisnor / Rubber cord profiles



EPDM black
Shore A 65 - 70

| Art | Ø mm |
|-------------|-----------------|
| 30.101 * | 1 |
| 30.101.25 * | 1,25 |
| 30.101.5 | 1.5 |
| 30.102 | 2 |
| 30.102E | 2 (single cord) |
| 30.103E * | 3 |
| 30.104E * | 4 |
| 30.104.5E | 4,5 |
| 30.105E | 5 |
| 30.106E | 6 |
| 30.107E * | 7 |
| 30.108E | 8 |
| 30.109E | 9 |
| 30.110E * | 10 |
| 30.112E * | 12 |
| 30.113E | 13 |
| 30.114E * | 14 |
| 30.115E * | 15 |
| 30.116E * | 16 |
| 30.117E | 17 |
| 30.118E | 18 |
| 30.119E | 19 |
| 30.120E | 20 |
| 30.121E * | 21 |
| 30.122E | 22 |
| 30.124E | 24 |
| 30.125E * | 25 |
| 30.135E | 35 (SH 75) |

CR black
Shore A 60

| Art | Ø mm |
|--------------|------|
| 30.103CR * | 3 |
| 30.103.5CR * | 3,5 |
| 30.104CR | 4 |
| 30.104.5CR * | 4,5 |
| 30.105CR * | 5 |
| 30.105.3CR * | 5,3 |
| 30.105.7CR * | 5,7 |
| 30.106CR * | 6 |
| 30.106.5CR * | 6,5 |
| 30.107CR * | 7 |
| 30.107.5CR * | 7,5 |
| 30.108CR * | 8 |
| 30.108.4CR * | 8,4 |
| 30.109CR * | 9 |
| 30.109.5CR * | 9,5 |
| 30.110CR * | 10 |
| 30.111CR * | 11 |
| 30.112CR * | 12 |
| 30.113CR * | 13 |
| 30.114CR * | 14 |
| 30.115CR * | 15 |
| 30.116CR * | 16 |
| 30.118CR | 18 |
| 30.120CR * | 20 |
| 30.122CR * | 22 |
| 30.125CR * | 25 |
| 30.130CR * | 30 |
| 30.132CR * | 32 |
| 30.140CR * | 40 |

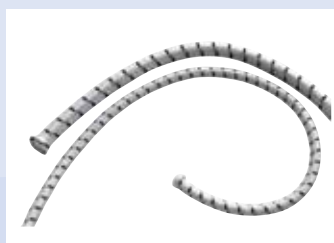
NBR black
Shore A 65

| Art | Ø mm |
|---------------|------|
| 30.103NBR | 3 |
| 30.103.5NBR * | 3,5 |
| 30.104NBR * | 4 |
| 30.104.5NBR * | 4,5 |
| 30.105NBR | 5 |
| 30.105.3NBR * | 5,3 |
| 30.105.7NBR * | 5,7 |
| 30.106NBR * | 6 |
| 30.106.5NBR * | 6,5 |
| 30.107NBR * | 7 |
| 30.107.5NBR * | 7,5 |
| 30.108NBR * | 8 |
| 30.108.4NBR * | 8,4 |
| 30.109NBR * | 9 |
| 30.109.5NBR * | 9,5 |
| 30.110NBR * | 10 |
| 30.111NBR * | 11 |
| 30.112NBR * | 12 |
| 30.113NBR * | 13 |
| 30.114NBR * | 14 |
| 30.116NBR * | 16 |
| 30.118NBR * | 18 |
| 30.120NBR * | 20 |
| 30.122NBR * | 22 |
| 30.125NBR * | 25 |
| 30.130NBR * | 30 |
| 30.132NBR * | 32 |
| 30.135NBR * | 35 |
| 30.140NBR * | 40 |

Silicone white
Shore A 60

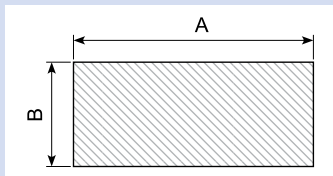
| Art | Ø mm |
|-------------|------|
| 30.103SIH * | 3 |
| 30.104SIH * | 4 |
| 30.105SIH * | 5 |
| 30.106SIH * | 6 |
| 30.108SIH | 8 |
| 30.108SIHX | 8 |

Elastiksnor / Rubber cord



| Art. | Ø (mm) |
|-----------|--------|
| 50.260-4 | 4 |
| 50.260-5 | 5 |
| 50.260-6 | 6 |
| 50.260-8 | 8 |
| 50.260-10 | 10 |

Specialprofiler / Special profiles



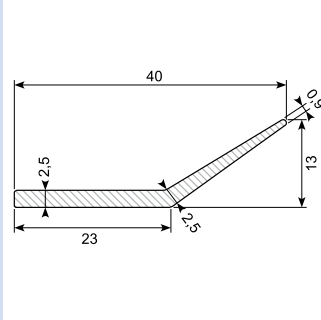
Material: EPDM

Flere størrelser kan skaffes. Find den komplette liste af firkant/retangulærprofiler på hjemmesiden.
Other sizes can be ordered. Find complete list on our homepage.

| Art. | A (mm) | B (mm) | Hardness | Min. order (m) | Adhesive |
|--------------|--------|--------|----------|----------------|----------|
| 30.1201KE * | 12 | 1 | SH 65 | 2.000 | X |
| 30.6502.5E * | 65 | 2,5 | SH 65 | 500 | |
| 30.3003E | 30 | 3 | SH 65 | | |
| 30.5003E | 50 | 3 | SH 65 | | |
| 30.5004E * | 50 | 4 | SH 60 | 600 | |
| 30.2005E * | 20 | 5 | SH 65 | 3.000 | |
| 30.2505E * | 25 | 5 | SH 65 | 3.000 | |
| 30.3305E * | 33 | 5 | SH 65 | 3.000 | |
| 30.5005E * | 50 | 5 | SH 65 | 2.000 | |
| 30.6705E * | 67 | 5 | SH 65 | 2.000 | |
| 30.7505E * | 75 | 5 | SH 65 | 1.500 | |
| 30.10005E * | 100 | 5 | SH 65 | 1.500 | |
| 30.15005E * | 150 | 5 | SH 65 | 1.000 | |
| 30.15005KE | 150 | 5 | SH 65 | | X |
| 30.3006E * | 30 | 6 | SH 65 | 3.000 | |
| 30.5808E * | 58 | 8 | SH 65 | 1.500 | |
| 30.2310E * | 23 | 10 | SH 60 | 500 | |
| 30.3310E * | 33 | 10 | SH 65 | 2.000 | |
| 30.5010E * | 50 | 10 | SH 65 | 1.500 | |
| 30.6710E * | 67 | 10 | SH 65 | 1.000 | |
| 30.15005E * | 100 | 10 | SH 65 | 1.000 | |

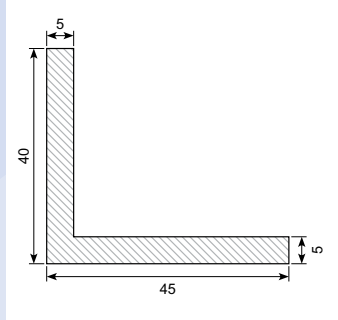
Other sizes can be obtained on request.

30.262S



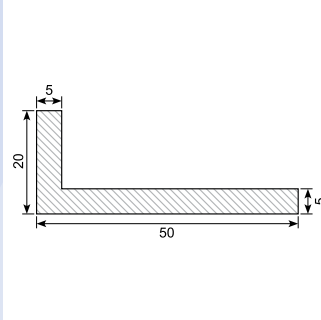
Material: EPDM black
Hardness: SH 65 - 75

30.WI660



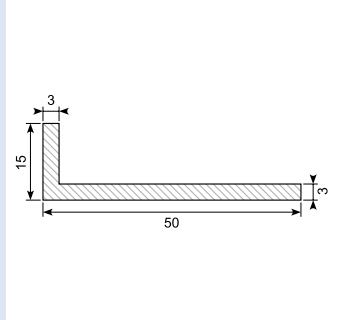
L-profil
Internal: 35 x 40 x 5 mm
External: 40 x 45 x 5 mm

30.WI747



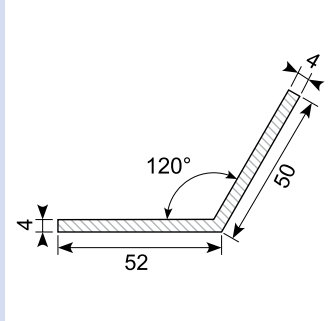
Material: EPDM
Hardness: SH 60

30.9691-2 *



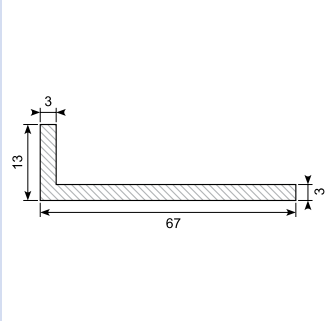
Material: EPDM white
Min. order: 504 m

30.7367



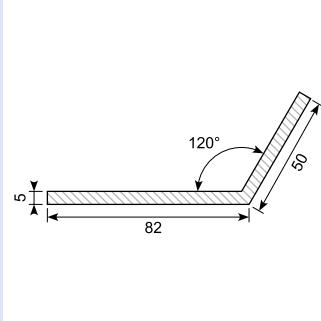
Material: CR black
Hardness: SH 65
Conditional oil resistant

30.9691-5 *



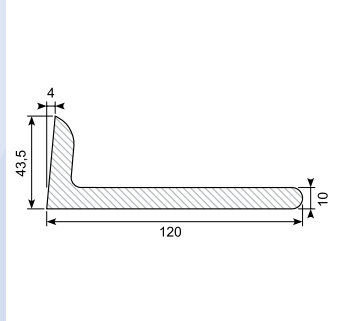
Material: EPDM white
Hardness: SH 65
Min. order: 504 m

30.7696



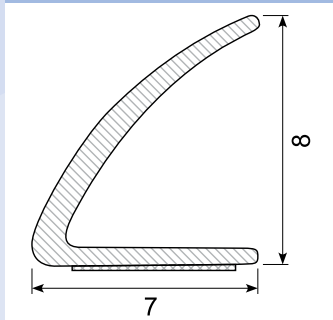
Material: CR black
Hardness: SH 65
Conditional oil resistant

30.12759



Material: EPDM black
Hardness: SH 60A

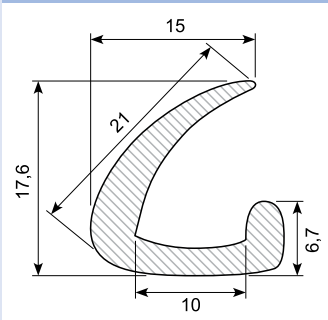
30.OT1024 / 30.OT1024B



Material: Silicone with adhesive
Hardness: SH 60
30.OT1024 white
30.OT1024B black
30.OT1024KPC transparent

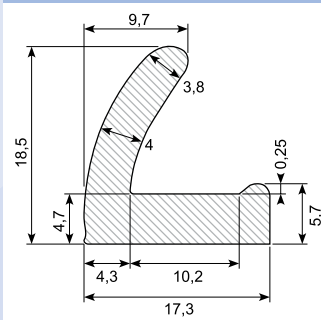
* Skaffevare / Special order item
00129-5-k201902 - SINDBY PROFILES 5

30.216S



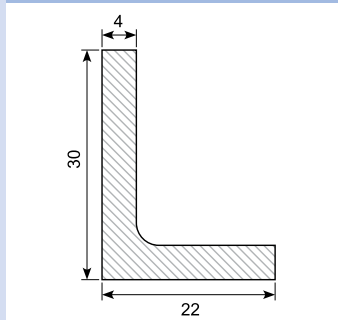
Material: EPDM black
Hardness: SH 65

30.218S



Material: EPDM black
Hardness: SH 75 - 81

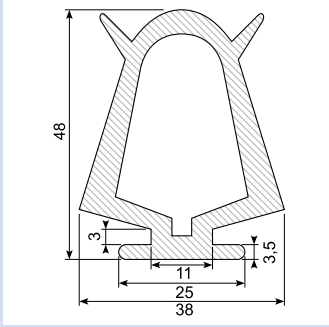
30.220L



Material: CR black
Hardness: SH 65
Length: 6,5 m
Conditional oil resistant

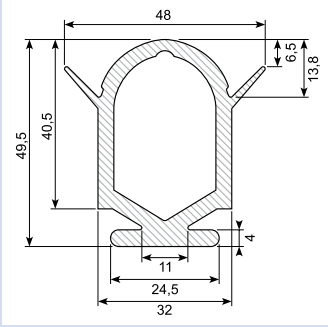
Specialprofiler / Special profiles

30.331



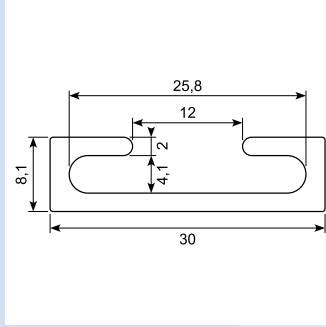
Material: EPDM black
Hardness: SH 70

30.9996-10



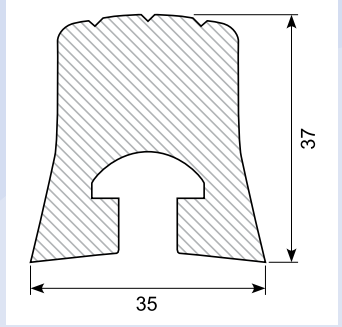
Material: EPDM
Hardness: SH 70

41.675A - 41.674A



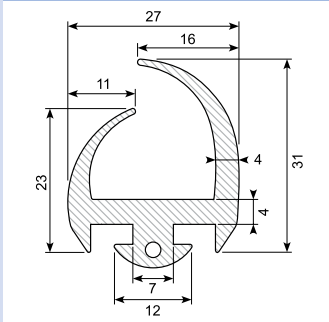
Material: Aluminium
41.675A: 5,2 m, untreated
41.674A: 5 m, anodized

39.1208P



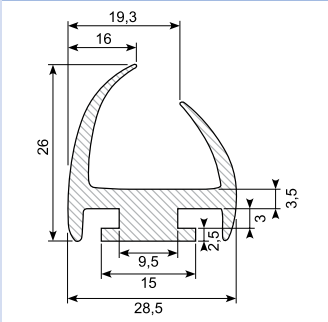
Fender profile with channel
Material: PE
Length: 3 m

30.12957-1



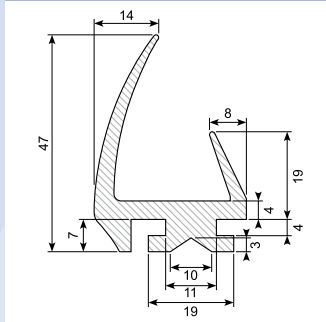
Material: EPDM
Hardness: SH 65
Length: 2,5 m

30.7933



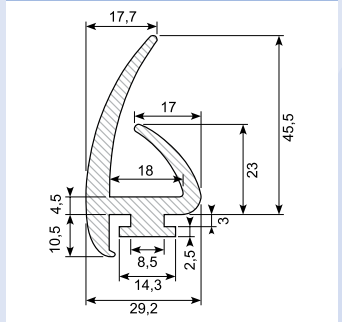
H-profile for aluminium rail
Material: EPDM
Hardness: SH 70

30.12957-2



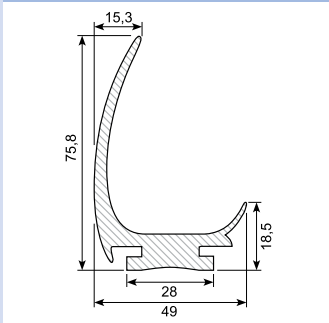
Material: EPDM
Hardness: SH 65
Length: 4,3 m

30.7932



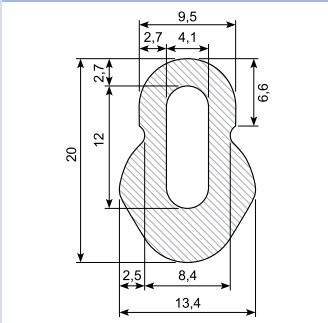
Rubber profile for alu. track
Material: EPDM
Hardness: SH 70

30.7935 *



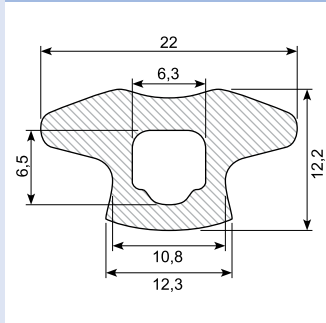
Material: EPDM black
Hardness: SH 65
Length: 2,8 m
Min. order: 22,4 m

30.7853X *



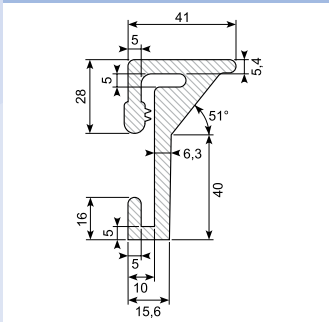
Material: EPDM black
Min. order: 800 m

30.7652



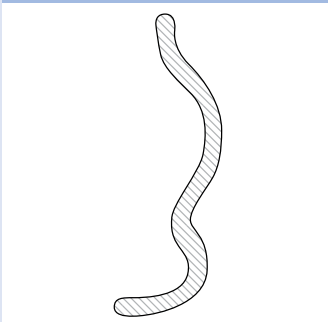
Rubber profile
Material: EPDM
Hardness: SH 65

30.333X



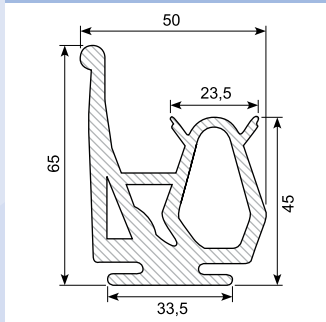
L-profile
Material: EPDM
Hardware: SH 70
Roll of 50 m

41.333S



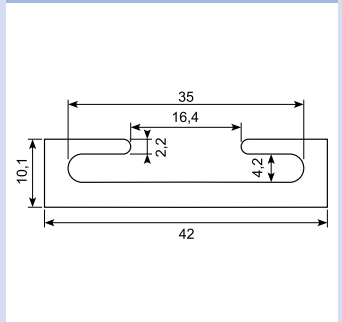
Steel profile for mounting of rubber profile 30.333
Length: 2,6 m

30.8469 *



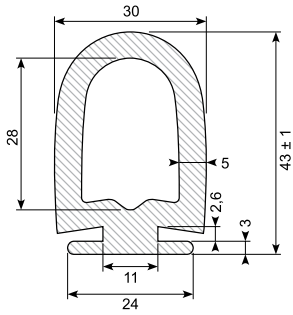
Rubber profile with drip cap
For loading tail board
Material: EPDM
Hardness: SH 67
Length: 8 m
Min. order: 80 m

41.678



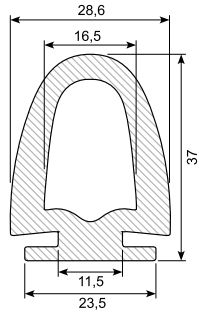
Alu c-profil 42 x 10 mm
Length 5,2 m
Fits to 30.8469

30.325X



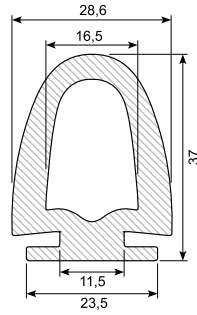
Material: EPDM black
Hardness: SH 65
Length: 5 m

30.324S



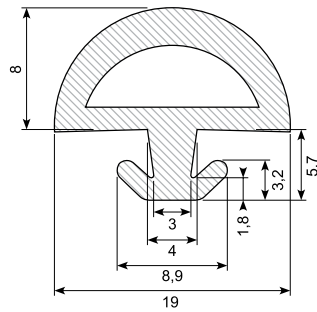
Material: EPDM black
Hardness: SH 65
Length: 5 m

30.324SB



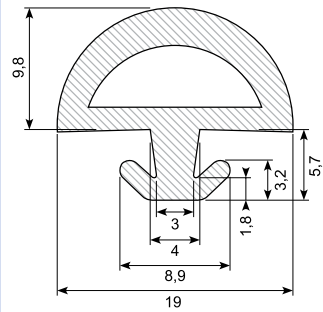
Material: EPDM black
Hardness: SH 45 (soft)
Length: 5 m

30.7649-8 *



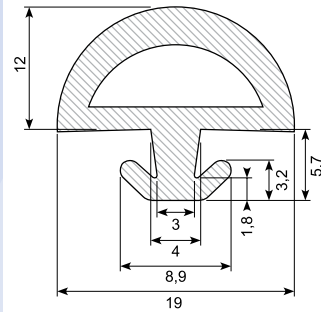
D-weatherstrip
Material: EPDM black
Hardness: SH 60
Min. order: 1.000 m

30.7649



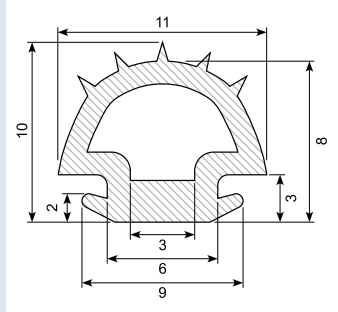
D-weatherstrip
Material: EPDM black
Hardness: SH 60

30.7649-12 *



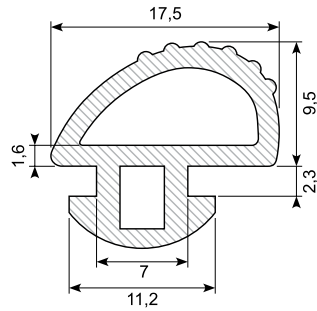
D-weatherstrip
Material: EPDM black
Hardness: SH 60
Min. order: 1.000 m

30.12957-3



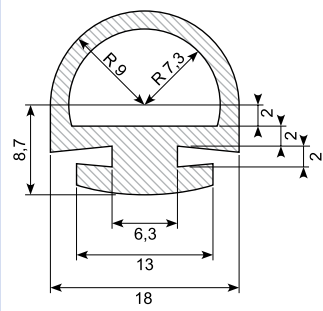
Material: EPDM
Hardness: SH 60

30.14098-2



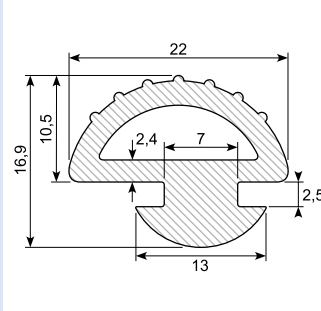
Material: EPDM
Hardness: SH 60A

30.9691-3



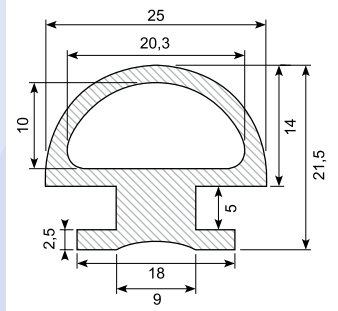
Material: EPDM black
Hardness: SH 65

30.7650



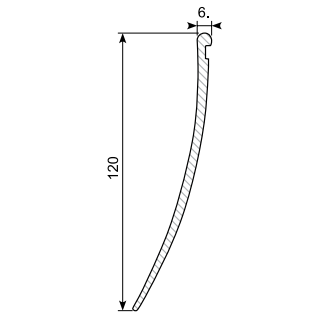
D-weatherstrip
Material: EPDM
Hardness: SH 70

30.5881



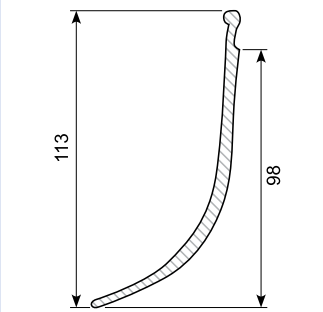
Material: CR black
Hardness: SH 65
Conditional oil resistant

30.2151 *



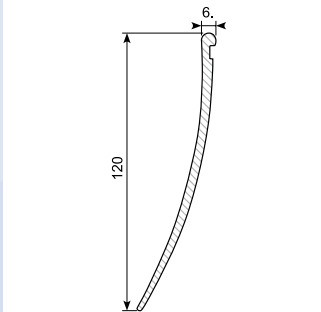
Skirt profile
Hardness: PVC white
Roll of 14 m
Min. order: 560 m

30.6648



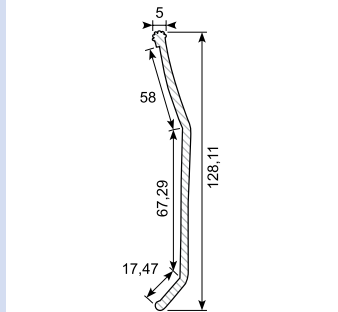
Skirt profile
Hardness: SH 75
30.6648: EPDM black
30.6648G: TPE grey
30.6648S: TPE black

30.2151S *



Material: PVC black
Hardness: SH 75 - 80
Min. order: 280 m

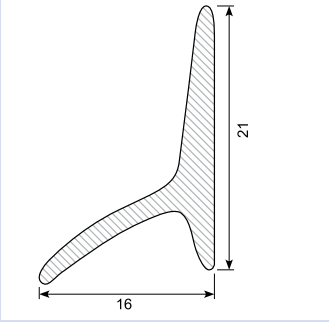
30.2566



Skirt profile
Material: PVC black
Hardness: SH 80
Height: 125 mm
Length: 1 m
Roll of 64 m

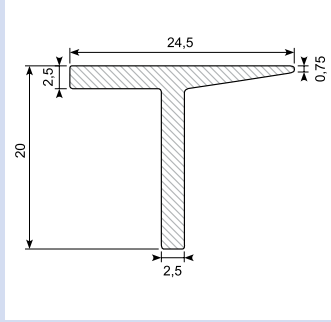
Specialprofiler / Special profiles

30.257S



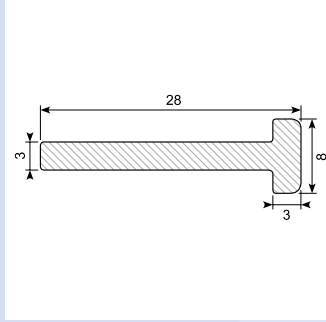
Material: EPDM black
Hardness: SH 65

30.258 *



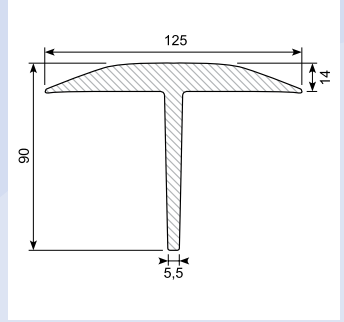
Material: EPDM black
Min. order: 1.000 m

30.5560 *



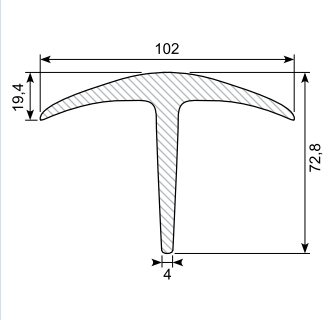
Material: EPDM black
Hardness: SH 65
Min. order: 450 m

30.7780/4



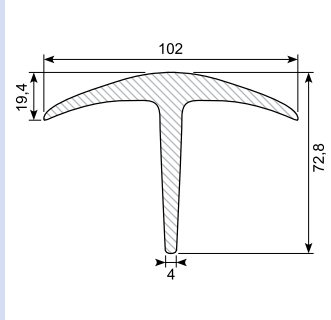
Material: EPDM black
Hardness: SH 65
Length: 4 m

30.7300 - 30.7300/4



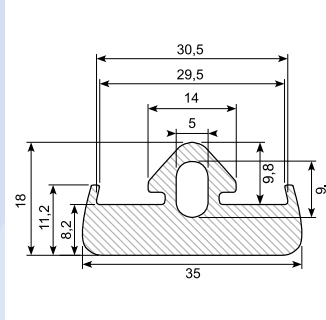
Material: EPDM black
Hardness: SH 65
Length 30.7300: 3 m
Length 30.7300/4: 4 m

30.7300/4Y *



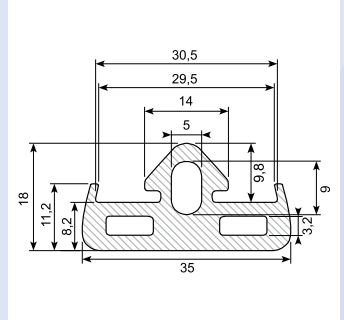
Material: EPDM yellow
Hardness: SH 65
Min. order: 64 m

30.6944 *



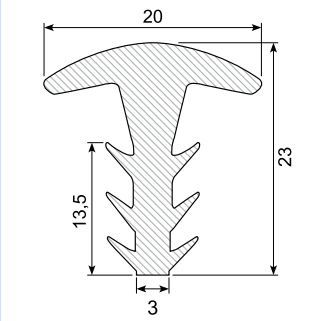
Material: EPDM black
Hardness: SH 65
Min. order: 200 m

30.5550M



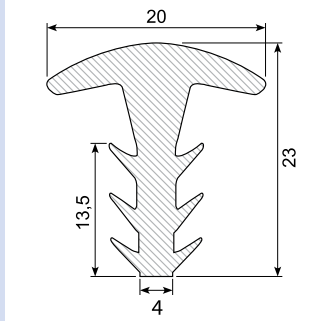
Material: EPDM black
Hardness: SH 65

30.2653 *



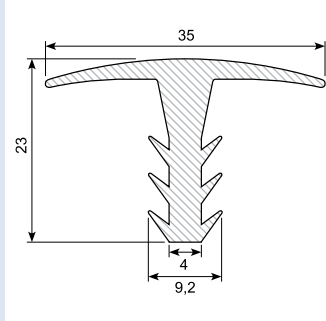
Material: EPDM black
Hardness: SH 65
Min. order: 1.000 m

30.5981



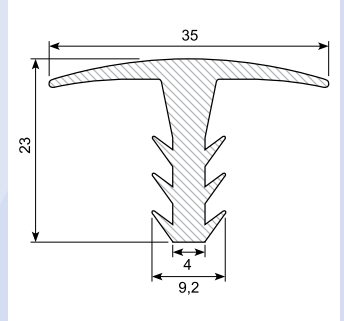
Material: EPDM black
Hardness: SH 65

30.8199



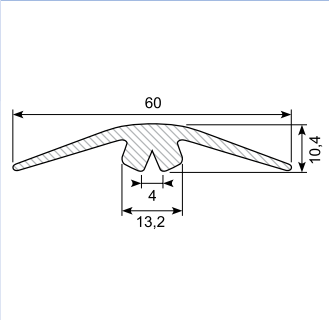
Material: EPDM black
Hardness: SH 65
Length: 4 m

30.8199W



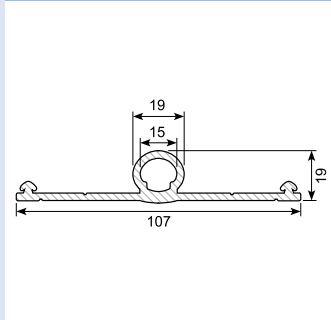
Material: EPDM white
Hardness: SH 65
Length: 4 m
Min. order: 223 m

30.6759



Material: EPDM black
Hardness: SH 65

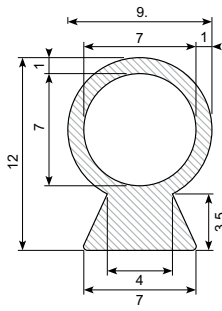
30.7770 *



Material: EPDM black
Hardness: SH 65
Min. order: 200 m

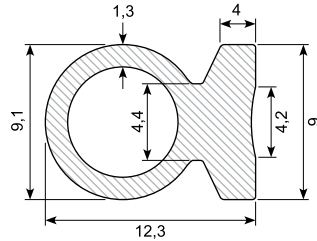
Specialprofiler / Special profiles

30.314S



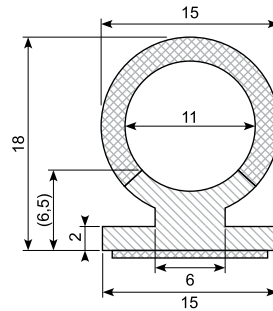
Rubber profile
Material: EPDM
Hardness: SH 60 / 65

30.7651



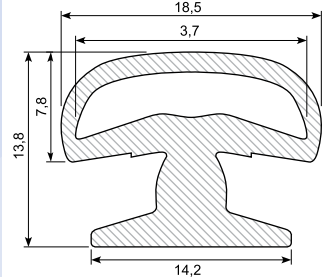
Balloon profile
Material: EPDM
Hardness: SH 65

30.313



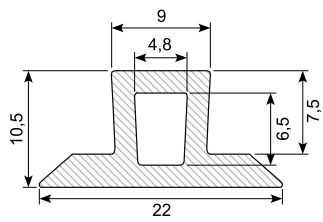
Co-ex profile
Material: EPDM / sponge rubber
Hardness: SH 80

30.7648



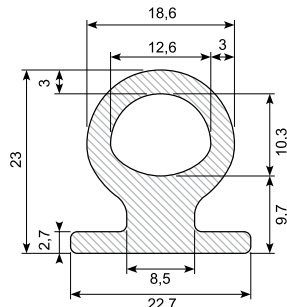
Material: EPDM black
Hardness: SH 65

30.7106 *



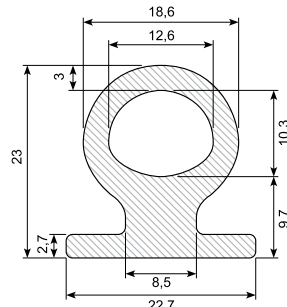
Material: SBR black
Hardness: SH 65
Min. order: 1.000 m

30.315S



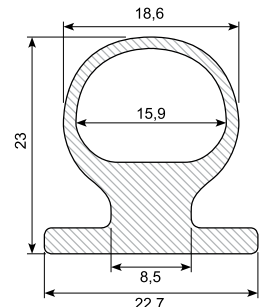
Material: EPDM black
Hardness: SH 65
Length: 10 m

30.315SB



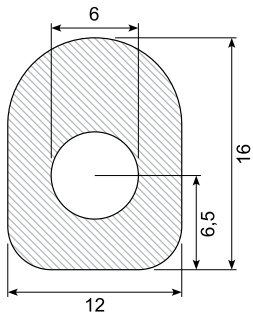
Material: EPDM black
Hardness: SH 45
Length: 10 m

30.7613 *



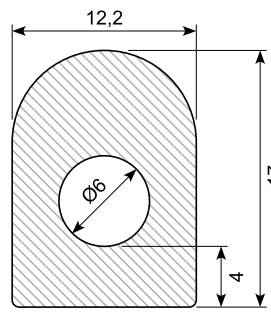
Material: EPDM black
Hardness: SH 60
Min. order: 500 m

30.50967 *



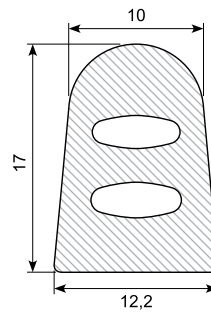
Material: NBR black
Hardness: SH 65
Min. order: 500 m
Oil resistant

30.13841



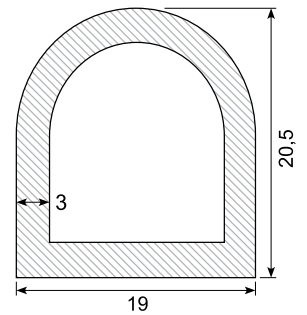
Material: NBR black
Hardness: SH 45A
Oil resistant

30.14053



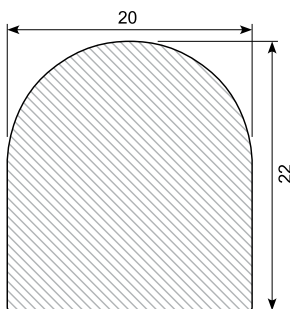
Material: NBR black
Hardness: SH 50A
Oil resistant

30.OT3354



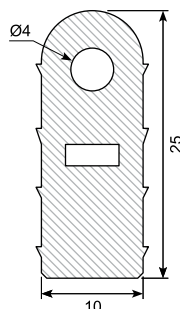
Material: Silicone white
Hardness: SH 60

30.7645 *



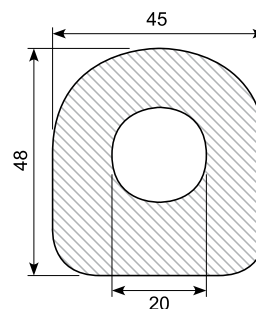
Material: EPDM black
Hardness: SH 45
Min. order: 50 m

30.13421



Material: EPDM
Hardness: SH 65

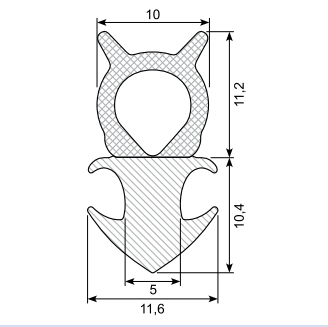
30.7559



Material: NBR black
Hardness: SH 60
Oil resistant

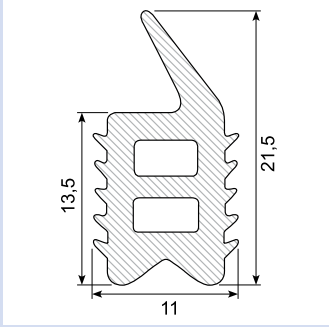
Specialprofiler / Special profiles

30.14130



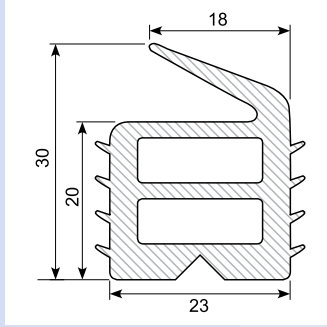
Co-ex profile
Material: EPDM
Hardness: SH 70 / density 85-95

30.190



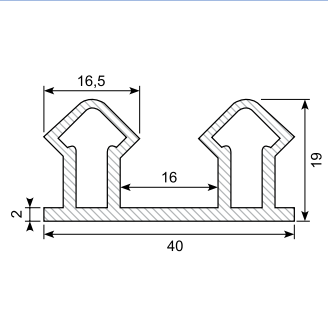
Material: PVC
Hardness: SH 57

30.8270 *



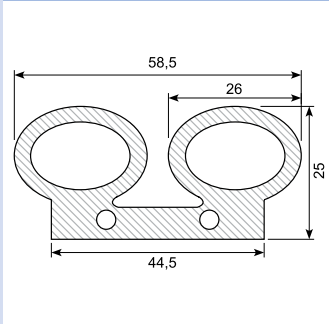
Material: EPDM black
Hardness: SH 57
Min. order: 150 m

30.OT1387 *



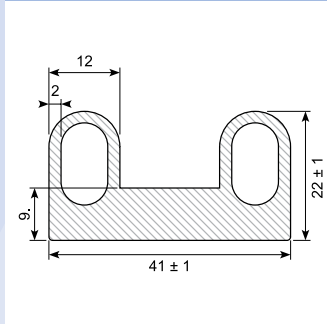
Material: Silicone grey
Hardness: SH 60
Min. order: 40 m

30.OT3272 *



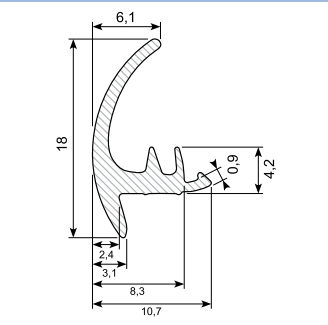
Material: Silicone blue
Hardness: SH 60
Min. order: 50 m

30.15170



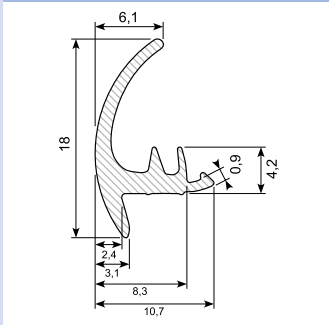
Material: PVC black
Hardness: SH 72

32.8518



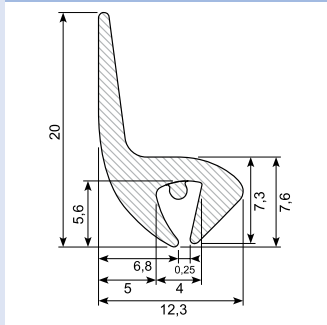
End-stop profile
Material: EPDM
Hardness: SH 65
Roll of 50 m

32.8518W *



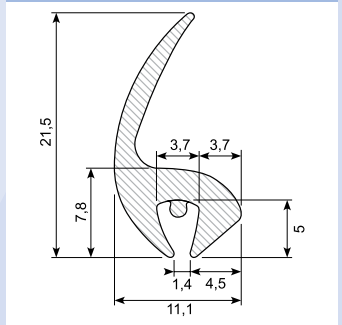
Color: White, RAL 9003
Material: EPDM
Hardness: SH 60
Min. order: 1.500 m

32.8516



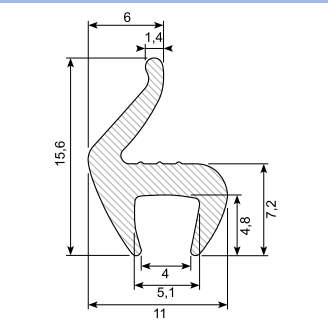
End-stop profile
Material: EPDM
Hardness: SH 65
Roll of 50 m

32.8517



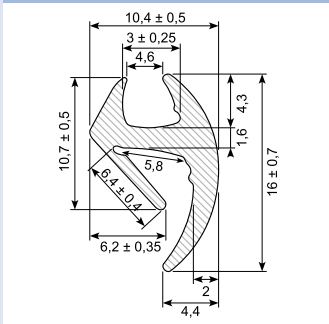
End-stop profile
Material: EPDM
Hardness: SH 65
Roll of 50 m

32.8520



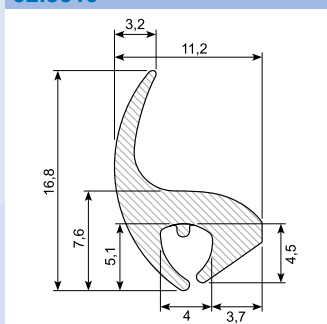
Universal end-stop profile
Material: EPDM
Hardness: SH 65
Roll of 50 m

31.369



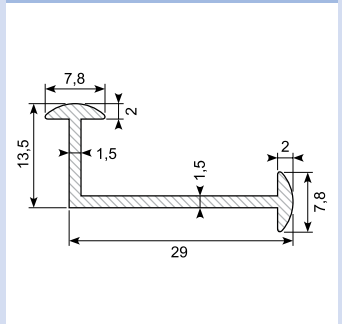
End-stop profile
Material: EPDM black
Hardness: SH 65

32.8519



End-stop profile
Material: EPDM
Hardness: SH 65
Roll of 50 m

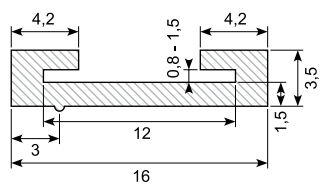
30.12553-2 *



Material: EPDM black
Hardness: SH 60A
Min. order: 1.500 m

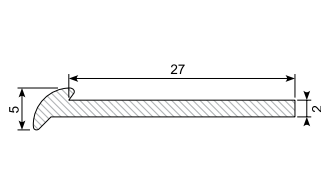
Specialprofiler / Special profiles

30.798



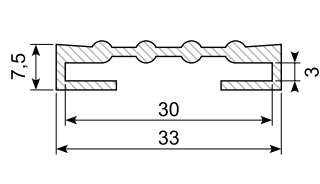
Material: EPDM black
Hardness: SH 65

30.14163-1



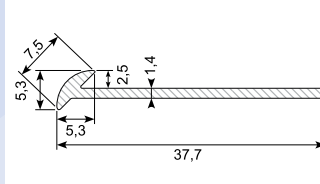
Material: EPDM
Hardness: SH 65

30.144



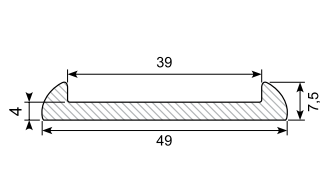
Material: EPDM black
Hardness: SH 60

30.5179



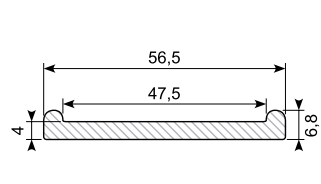
Material: EPDM

30.141



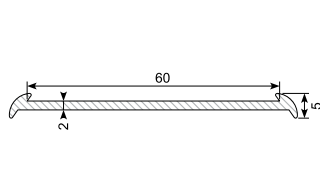
Material: EPDM
Hardness: SH 60

30.142S



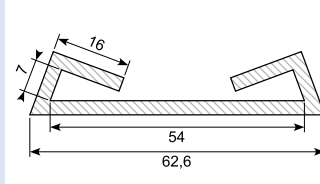
Material: EPDM black
Hardness: SH 65

30.14163



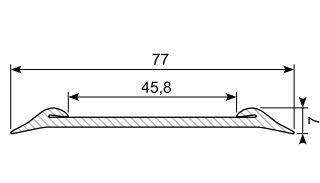
Material: EPDM
Hardness: SH 65

30.8331



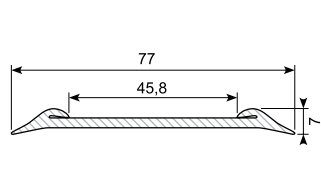
Material: EPDM black
Hardness: SH 65

30.145W *



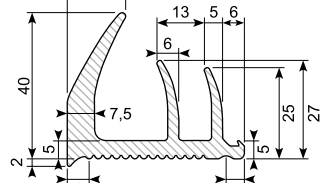
Material: EPDM white
Hardness: SH 65
Min. order: 300 m

30.145 *



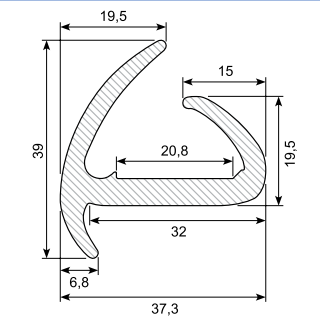
Material: EPDM black
Hardness: SH 70
Min. order: 200 m

30.13447-8 *



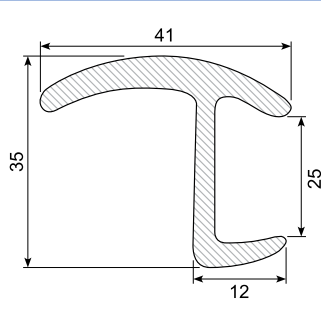
Container profile
Material: EPDM
Hardness: SH 70
Length: 2,5 m
Min. order: 500 m

30.7663



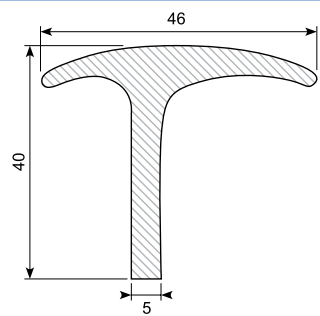
Material: EPDM black
Hardness: SH 65
Length: 5 m

30.340



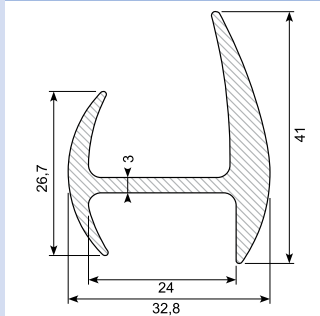
Material: EPDM black
Hardness: SH 50
Length: 3 m

30.2438



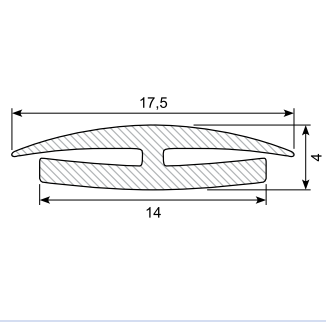
Material: EPDM black
Hardness: SH 65
Length: 2,2 m

30.4437 *



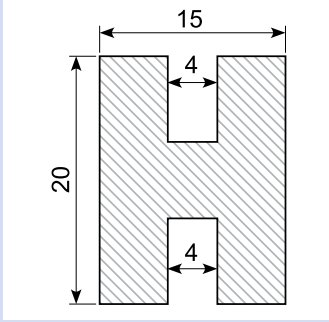
Material: EPDM black
Hardness: SH 60
Min. order: 85 m

30.7411



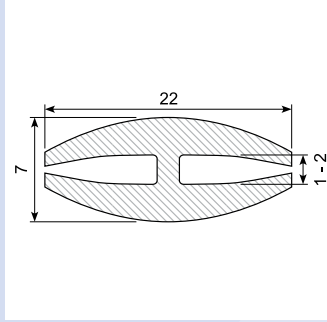
Material: EPDM black
Hardness: SH 65
Grip range: 1 - 1,5 mm

30.13062 *



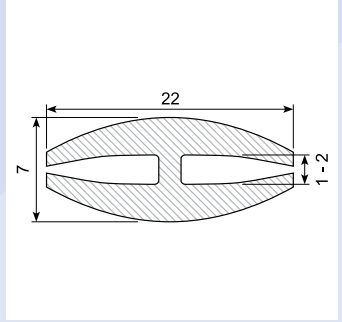
Material: EPDM
Hardness: SH 65
Min. order: 500 m

34.7528-2H *



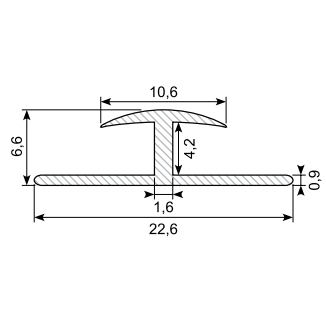
Material: PVC white
Min. order: 250 m

34.7528-2



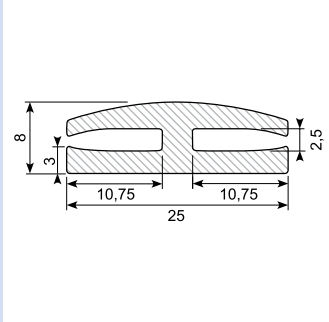
Material: PVC grey

34.3546



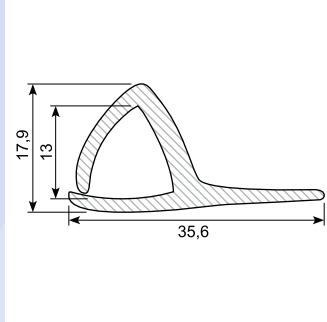
Material: PVC white

30.762



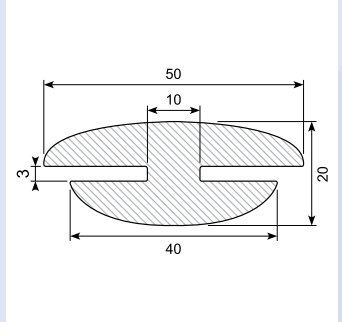
Material: EPDM black
Hardness: SH 65

31.072



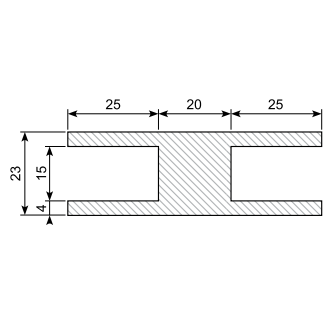
Material: EPDM black
Hardness: SH 65

30.7266 *



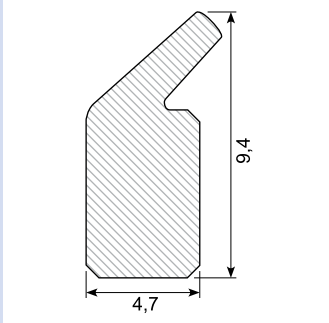
Material: EPDM black
Hardness: SH 65
Min. order: 50 m

30.12932-2 *



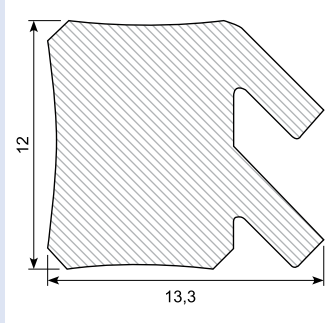
Material: EPDM black
Hardness: SH 60
Min. order: 400 m

30.29300-130 *



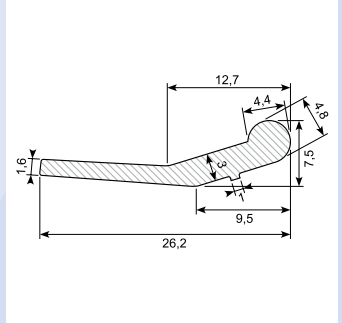
Material: CR black
Hardness: SH 65
Min. order: 100 m
Conditional oil resistant

30.29300-129 *



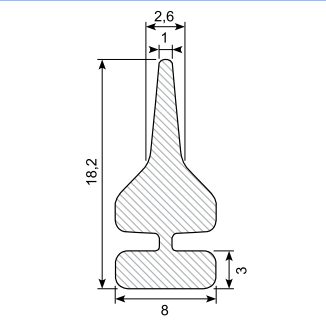
Material: CR black
Hardness: SH 65
Min. order: 300 m
Conditional oil resistant

30.16688



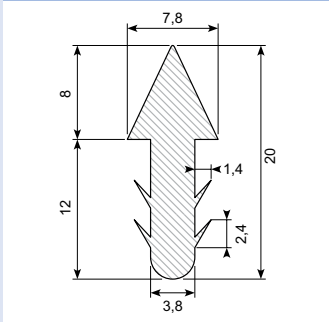
Material: EPDM
Hardness: SH 70

30.7811 *



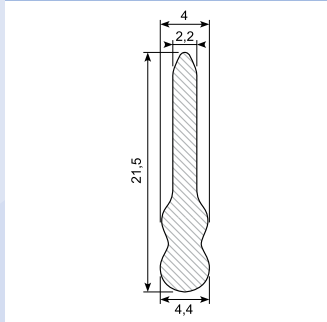
Material: EPDM black
Hardness: SH 60
Min. order: 1.500 m

30.11905



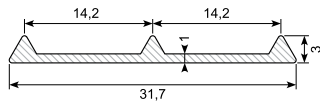
Material: Silicone black
Hardness: SH 50

30.7249 *



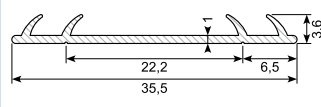
Material: CR black
Hardness: SH 70
Min. order: 500 m
Conditional oil resistant

30.13049-4



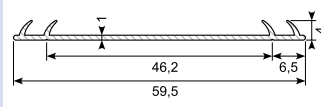
Material: EPDM black
Hardness: SH 60A

30.13049-2 *



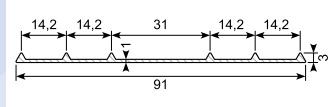
Material: EPDM
Hardness: SH 60A
Min. order: 5.000 m

30.13049-1 *



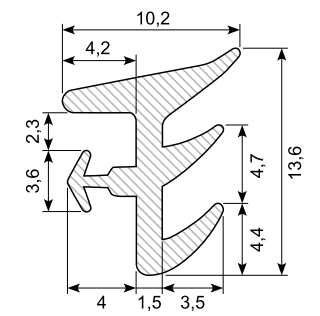
Material: EPDM
Hardness: SH 60A
Min. order: 4.000 m

30.13049-5 *



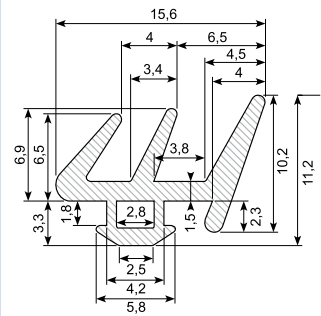
Material: EPDM black
Hardness: SH 60A
Min. order: 2.000 m

30.4469



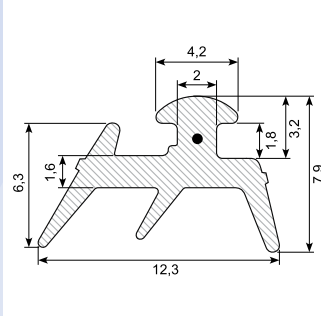
Material: EPDM
Hardness: SH 60
Coated with silicone

30.10485



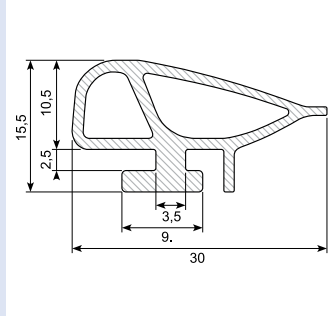
Material: EPDM
Coated with silicone

30.9387-2 *



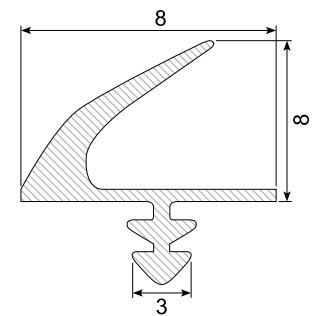
Material: EPDM
Min. order: 5.000 m
With internal cord

30.13796 *



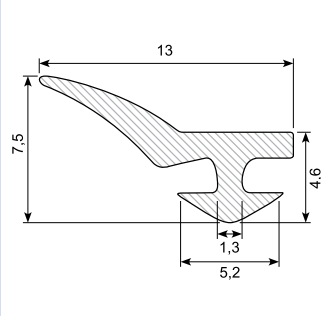
Material: EPDM black
Hardness: SH 75A
Min. order: 1.000 m

30.OT1092 *



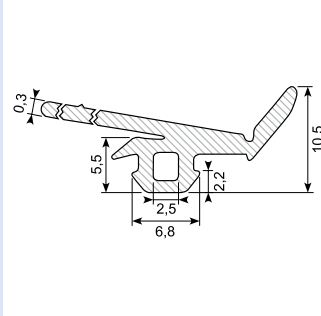
Material: Silicone white
Min. order: 300 m

31.702 *



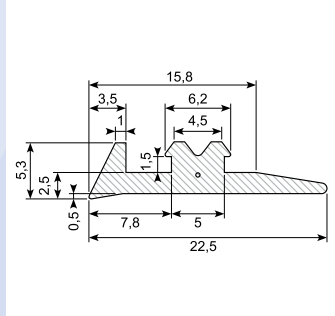
Material: EPDM black
Hardness: SH 70
Conditional oil resistant
Min. order: 2.000 m
(restlager 135m)

30.7507 *



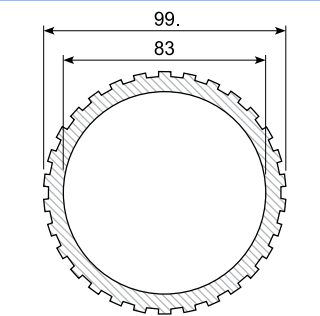
Material: EPDM black
Hardness: SH 65
Min. order: 1.000 m

30.10461-2



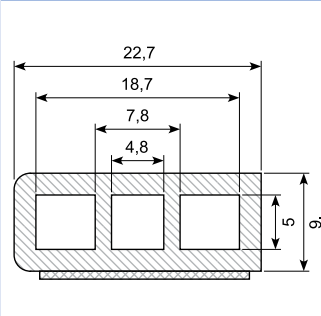
Material: EPDM with cord

30.7845 *



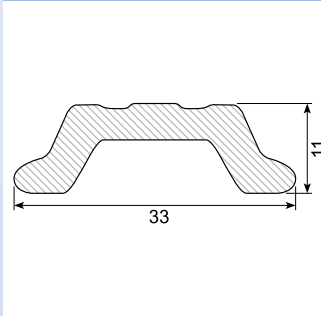
Material: SBR black
Hardness: SH 70
Min. order: 51 m

30.16977 *



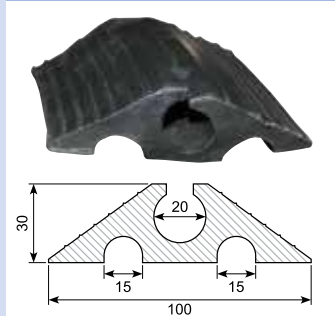
Material: PVC hard white
with adhesive
Min. order: 3.000 m

30.5596 *



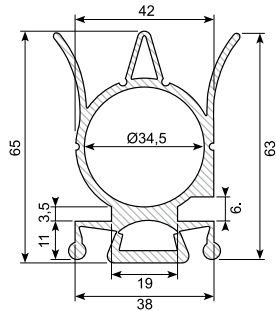
Material: EPDM black
Hardness: SH 65
Min. order: 500 m

52.PP106



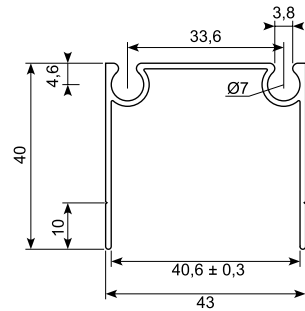
Material: NR / SBR
Cable transmission. Roll 9 m

30.13503



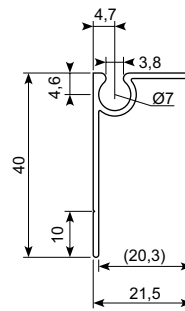
Material: EPDM black
Hardness: SH 60A
For track [41.13459](#)

41.13459



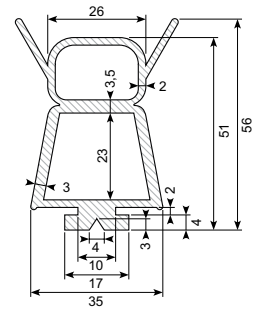
Aluprofile for gate
Anodized surface. Length 6 m.
Calculated weight 479 g/m.
For profile: [30.13503](#)

41.13459X *



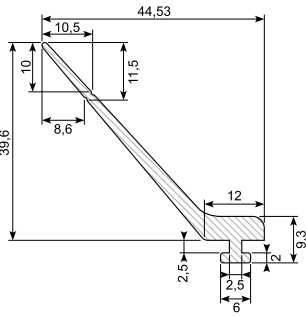
1/2 aluprofile for gate 21.5 x 40 mm
Anodized surface. Length 6 m.
Calculated weight: 239 g/m
For profile: [30.13503](#)
Min. order: 50 pcs. + add on costs

30.9215



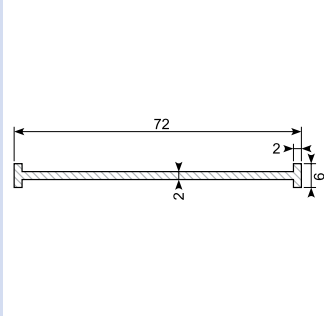
Material: EPDM
Hardness: SH 65 - 70

30.9826-1



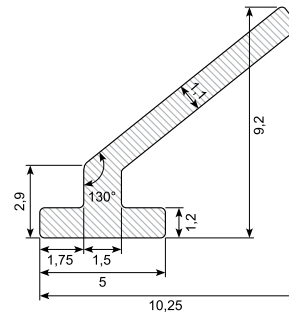
Material: EPDM
Hardness: SH 70

30.9826-2



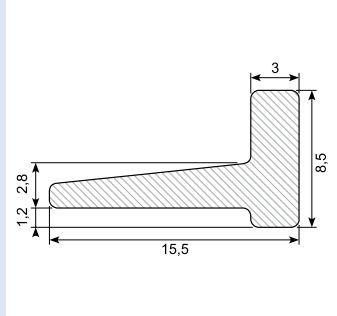
Material: EPDM
Hardness: SH 70

30.10036



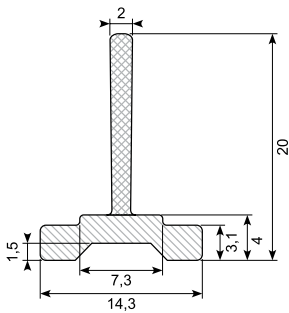
Material: EPDM
Hardness: SH 70

30.9996-6 *



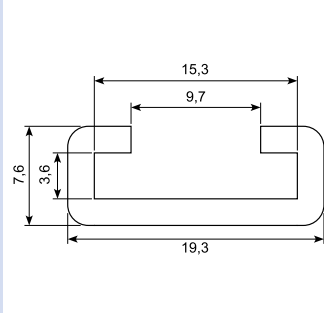
Material: EPDM
Hardness: SH 60
Min. order: 1,200 m

30.13242



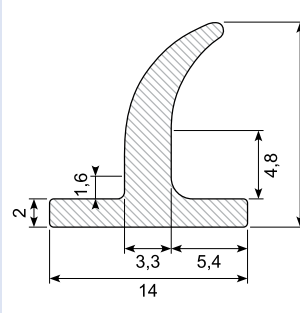
Material: EPDM co-ex
Hardness: SH 85 / 62
Length: 3.000 mm
(Rail see [41.670](#))

41.670



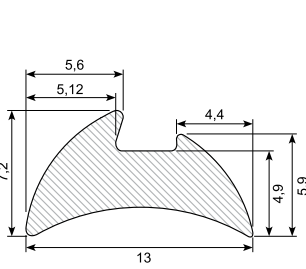
Elxeret alu.
3 m med montagehuller.
Ø4 hver 200 mm.
Til profil [30.13242](#)

30.16239



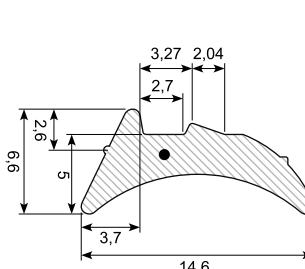
Material: EPDM
Hardness: SH 70

30.9996-5



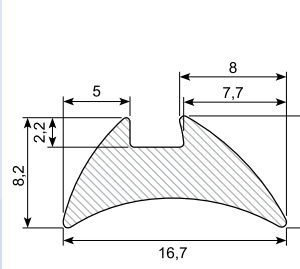
Material: EPDM
Hardness: SH 70

30.9387-1



Material: EPDM
Hardness: SH 70
With cord

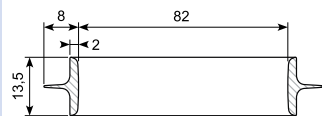
30.9996-4



Material: EPDM
Hardness: SH 70

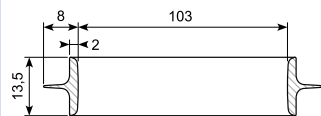
Specialprofiler / Special profiles

30.9437-100



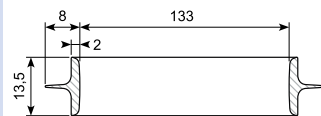
Ventilation ring
Material: EPDM black
Hardness: SH 60 - 65

30.9437-125



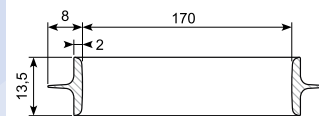
Ventilation ring
Material: EPDM black
Hardness: SH 60 - 65

30.9437-160



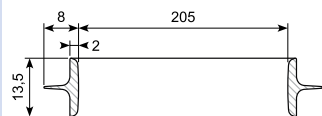
Ventilation ring
Material: EPDM black
Hardness: SH 60 - 65

30.9437-200



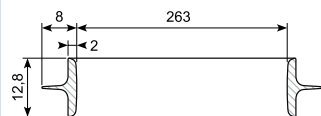
Ventilation ring
Material: EPDM black
Hardness: SH 60 - 65

30.9437-250



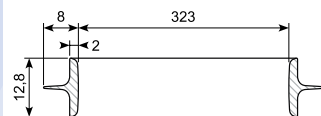
Ventilation ring
Material: EPDM black
Hardness: SH 60 - 65

30.9437-315 *



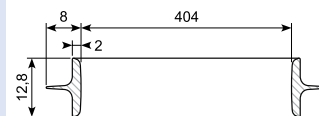
Ventilation ring
Material: EPDM black
Hardness: SH 60 - 65
Min. order: 1.000 m

30.9437-400 *



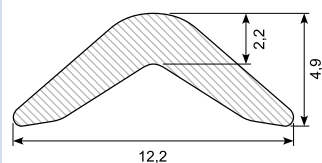
Ventilation ring
Material: EPDM black
Hardness: SH 60 - 65
Min. order: 1.000 m

30.9437-500



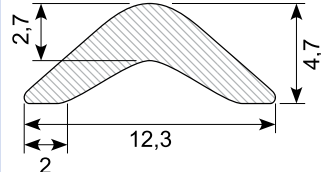
Ventilation ring
Material: EPDM black
Hardness: SH 60 - 65

45.205SX



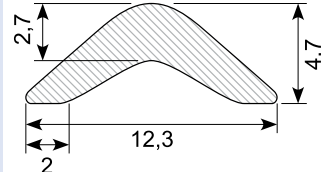
Material: PVC silver grey

45.209BX



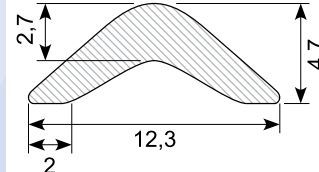
Material: PVC black

45.210B / 45.210BX



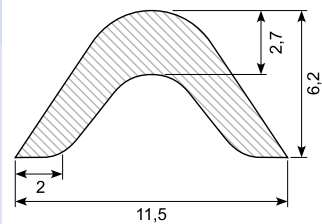
Material: PVC white

45.210C / 45.210CX



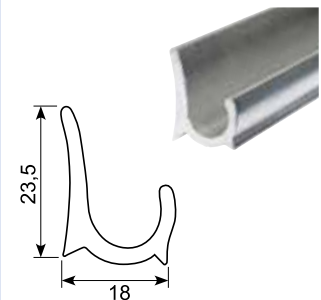
Material: PVC off white

45.208



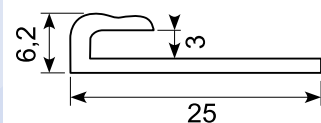
Material: PVC blue

41.406



Material: -
Length: 5 m

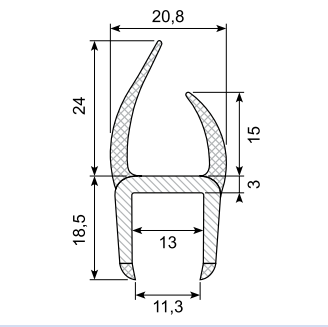
41.611P



Material: Aluminium
Length: 5 m

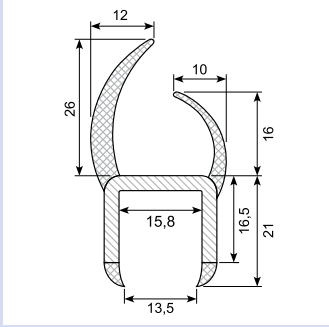
Co-ekstruderede plastprofiler / Co-extruded plastic profiles

50.083013 *



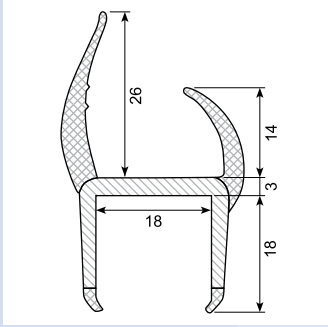
Material: PVC co-ex profile 13 mm
Black / white
Length: 5 m
With 4 soft lips
Min. order: 200 pcs

50.083015GG / 50.083015GGX



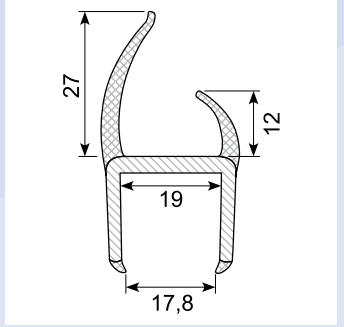
Material: PVC co-ex profile 15 mm
Light grey / grey lips
Length: 5 m
With 4 soft lips
50.083015GGX: 4 m light/light

50.083030



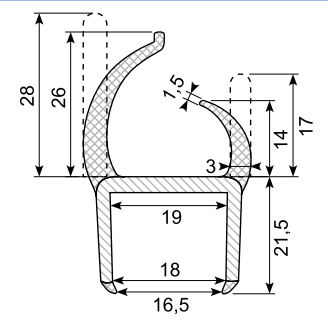
Material: PVC co-ex profile 18 mm
Black / white
Length: 5 m
With 4 soft lips

50.083032GG *



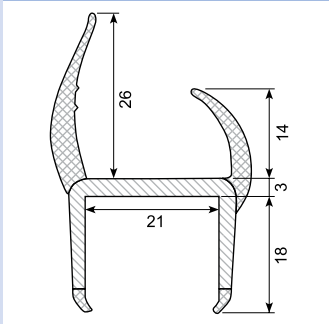
Material: PVC co-ex profile 18,4 mm. Grey / grey (other colors possible)
Length: 6 m
With 4 soft lips
Min. order: 500 m

50.083033



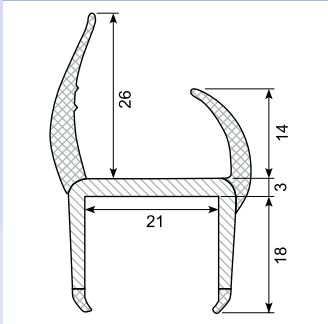
Material: PVC co-ex profile 19 mm
Black lips / light grey
Length: 5 m
With 4 soft lips

50.083040GS



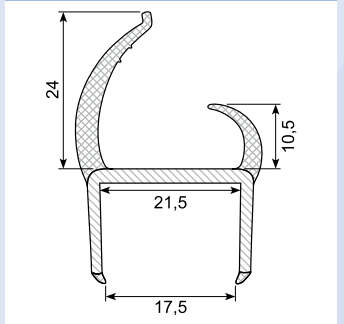
Material: PVC co-ex profile 21 mm
Black / grey
Length: 6 m
With 4 soft lips

50.083040



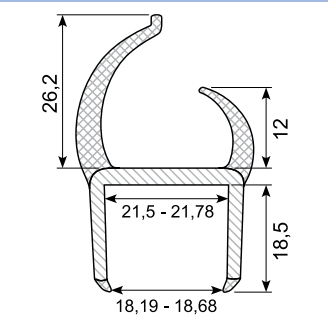
Material: PVC co-ex profile 21 mm
Black / white
Length: 5 m
With 4 soft lips
Min. order: 200 pcs.

50.083040G



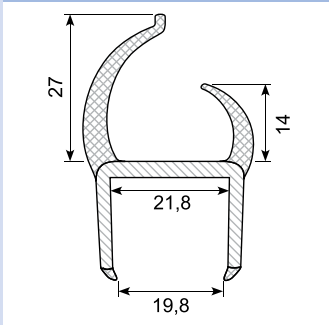
Material: PVC co-ex profile 21 mm
Grey / grey
Length: 5 m
With 4 soft lips

50.083033X



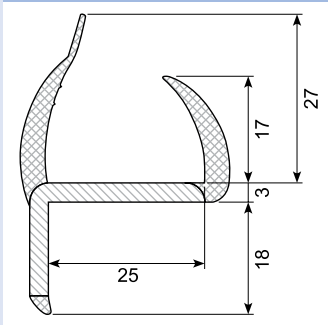
Material: PVC co-ex profile 20 mm
Black lips / light grey
Length: 5 m
With 4 soft lips

50.083040GG *



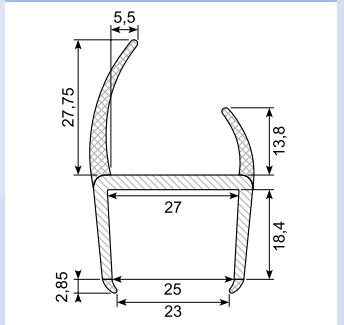
Material: PVC co-ex profile 20,8 mm. Grey / grey (other colors possible)
Length: 6 m
With 4 soft lips

50.083045X *



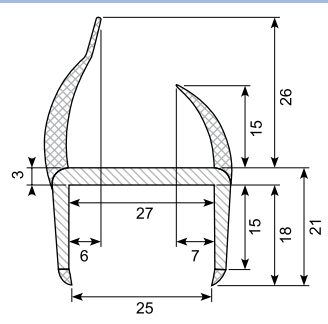
Material: PVC co-ex profile 25 mm (different colors possible)
Length: 5 m
With 3 soft lips
Min. order: 250 m (China)

54.710720 *



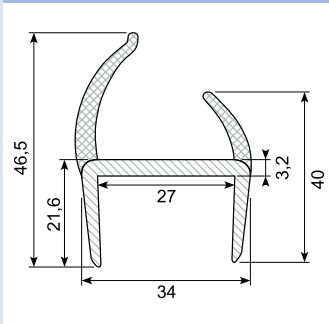
Material: PVC co-ex profile 25 mm
Hardness: Hard/soft
Length: 3 m
With 4 soft lips
Min. order: 25 pcs.

50.083045G *



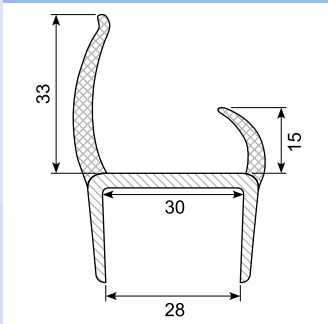
Material: PVC co-ex profile 25 mm
Different colors possible
Length: 6 m
With 4 soft lips
Min. order: 500 m

50.083046



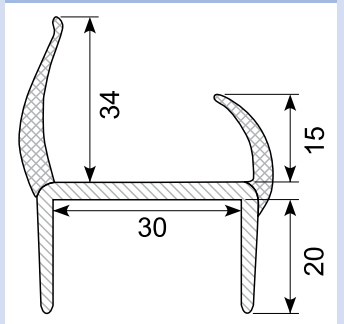
Material: Co-ex profile 27 mm
Light grey / light grey
Length: 5 m
With 2 soft lips

50.083050GG *



Material: PVC co-ex profile 30 mm
Grey / grey (other colors possible)
Length: 5 m
With 2 soft lips
Min. order: 500 m

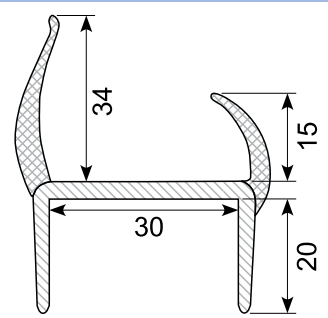
50.083050



Material: PVC co-ex profile 30 mm
Black / white
Length: 5 m
With 2 soft lips

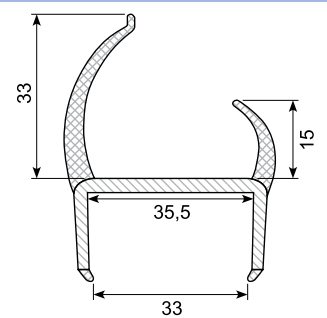
Co-ekstruderede plastprofiler / Co-extruded plastic profiles

50.083050G



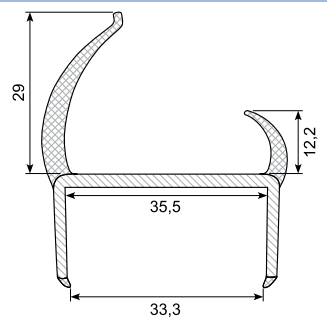
Material: PVC co-ex profile 30 mm
Black / light grey
Length: 5 m
With 2 soft lips

50.083052G *



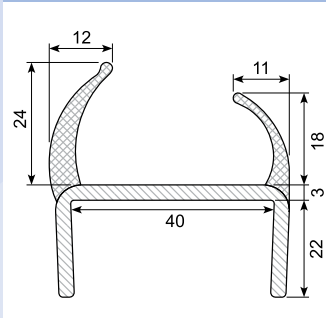
Material: PVC co-ex profile 35 mm
Grey / grey
(other colors possible)
Length: 3 m
With 4 soft lips
Min. order: 300 m

50.083055G



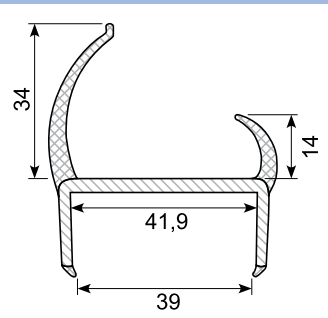
Material: PVC co-ex profile 35 mm
Light grey / grey lips
Length: 5 m
With 4 soft lips

50.083059 *



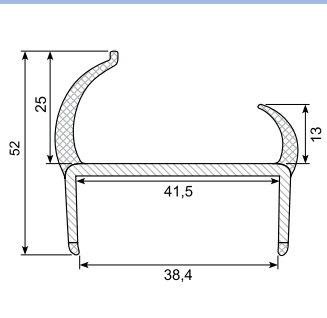
Material: PVC co-ex profile 40 mm
White / black lips
Length: 5 m
With 2 soft lips
Min. order: 250 m

50.083060 *



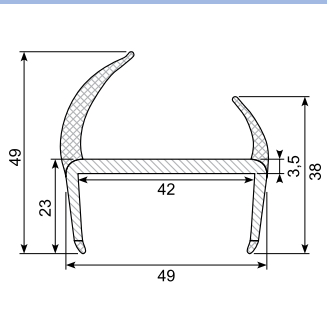
Material: PVC co-ex profile 40 mm
White / black lips
(other colors pos.)
Length: 5 m
With 4 soft lips
Min. order: 500 m

50.083060G



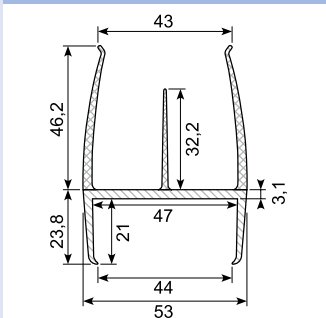
Material: PVC co-ex profile 40 mm
Light grey / grey lips
Length: 5 m
With 2 soft lips

50.083061 *



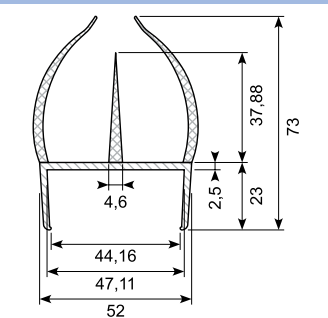
Material: PVC co-ex profile 42 mm
White / black lips
Length: 5 m
With 4 soft lips
Min. order: 250 m (China)

50.083065 *



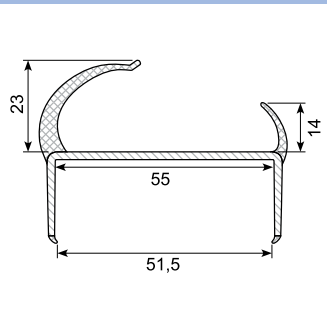
Material: PVC co-ex profile 45 mm
Grey / grey
(other colors possible)
Length: 5 m
With 3 soft lips
Min. order: 250 m

50.083065G



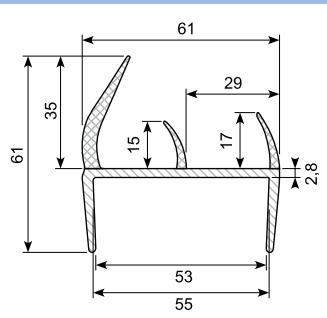
Material: Co-ex profile
Length: 5 m

50.083070G



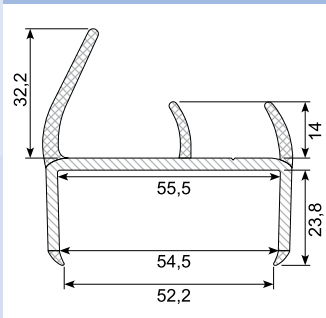
Material: PVC co-ex profile 55 mm
Light grey / grey lips
Length: 5 m
With 4 soft lips

50.083070B *



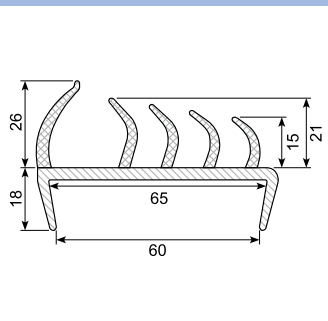
Material: PVC co-ex profile 55 mm
White / black lips
Length: 5 m
Min. order: 500 m
With 4 soft lips

54.710770 *



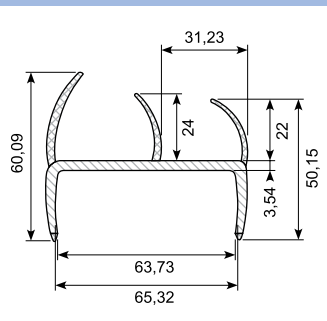
Material: Grey PVC co-ex profile 30 mm
Length: 3 m
Min. order: 50 m
With 4 soft lips

50.083081 *



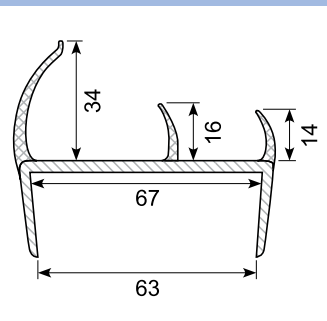
Material: PVC black co-ex profile 65 mm
With 5 soft lips
Min. order: 250 m

50.083080GG *



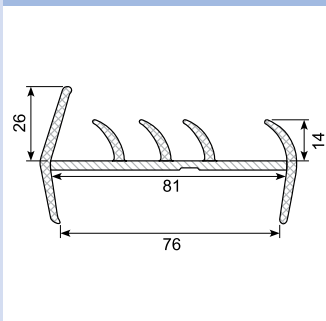
Material: PVC co-ex profile 65 mm
Light grey / light grey lips
Length: 5 m
With 3 soft lips
Min. order: 250 m (China)

50.083080G



Material: PVC co-ex profile 65 mm
Grey / grey lips
Length: 5 m
With 2 soft lips

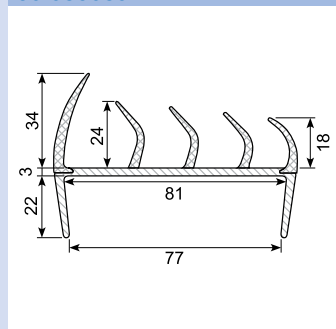
50.083088 *



Material: PVC co-ex profile 81 mm
Black
With 5 soft lips
Min. order: 250 m

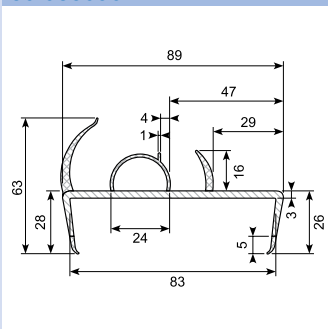
Co-ekstruderede plastprofiler / Co-extruded plastic profiles

50.083089 *



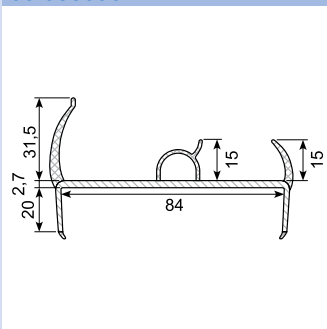
Material: PVC co-ex profile 81 mm
Black
With 5 soft lips
Min. order: 250 m

50.083090



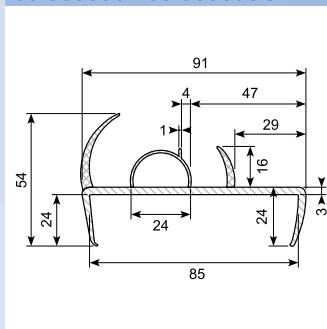
Material: PVC co-ex profile 83 mm
Light grey / light grey
Length: 5 m
With 4 soft lips

50.083095B *



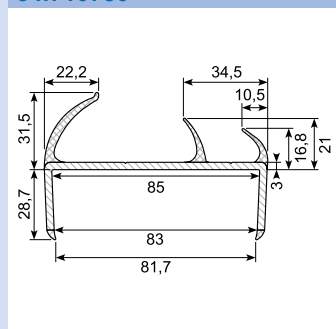
Material: PVC co-ex profile 84 mm
White / black lips.
Length: 5 m
Min. order: 500 m
With 4 soft lips

50.083095 / 50.083095G *



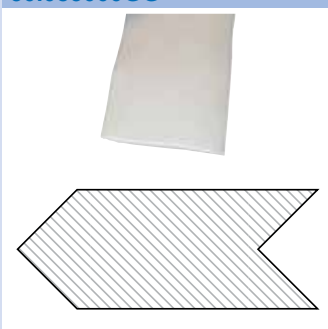
Material: PVC co-ex profile 85 mm
White / black lips.
Length: 5 m
With 4 soft lips
50.083095G: Min order: 250 m.

54.710780 *



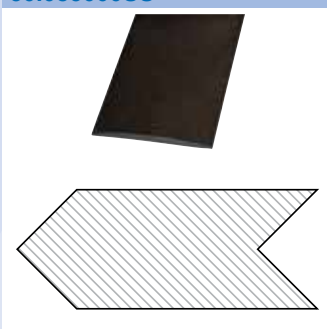
Material: PVC co-ex profile 85 mm
Black / grey
Hardness: Hard / soft
Length: 3 m
With 4 soft lips
Min. order: 50 pcs.

50.083000GG



Grå hjørnebånd
Grey connection part. Soft PVC.
In running meters

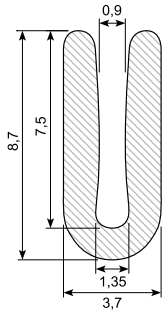
50.083000SS



Sort hjørnebånd
Black connection part. Soft PVC.
In running meters

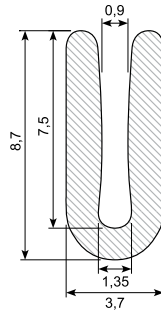


31.018S *



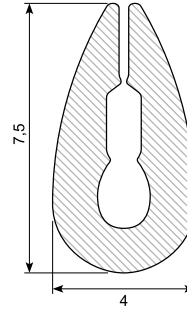
Material: EPDM black
 Hardness: SH 65
 Min. order: 4.100 m

31.018X



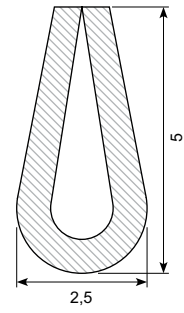
Material: PVC black
 Hardness: SH 65

34.018X



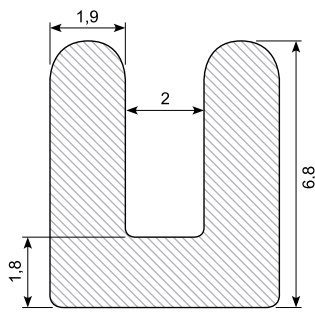
Material: PVC light grey
 Hardness: Soft

34.14334X



Material: PVC black
 Plade: 1,5 - 2 mm

31.060S



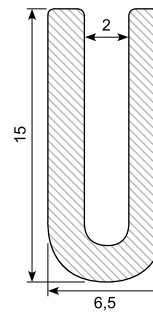
Material: EPDM black
 Hardness: SH 65

31.041S



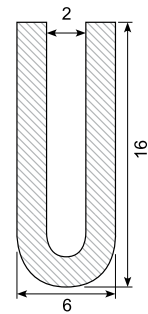
Material: EPDM black
 Hardness: SH 65

31.042S



Material: EPDM black
 Hardness: SH 65

30.OT3394 *



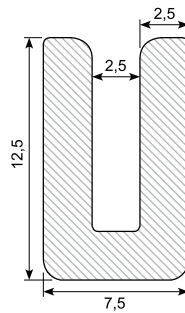
Material: Silicone black
 Min. order: 100 m

31.047 *



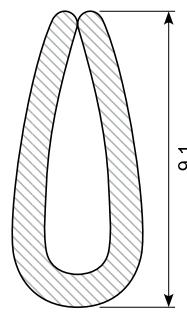
Material: EPDM black
 Hardness: SH 65
 Min. order: 1.000 m

31.063



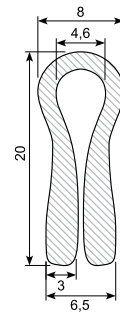
Material: EPDM black
 Hardness: SH 65

30.9548



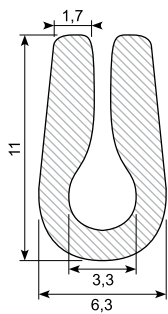
Material: PVC hard light grey
 Length: 3,9 m

31.025S



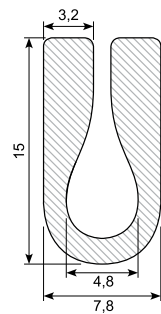
Material: EPDM black
 Hardness: SH 65

31.021S



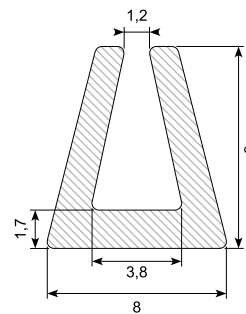
Material: EPDM black
 Hardness: SH 65

31.022S



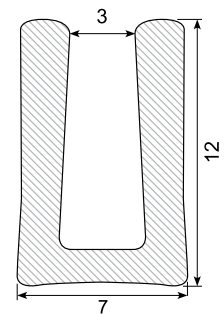
Material: EPDM black
 Hardness: SH 65

34.031X



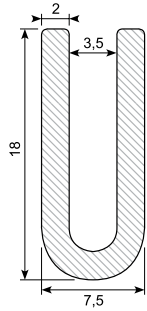
Material: PVC transparent
 Hardness: Soft

30.13086



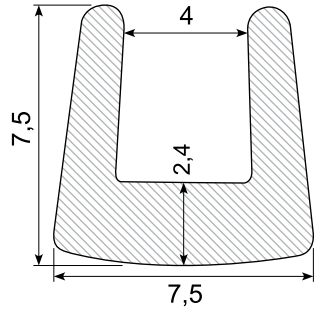
Material: EPDM black
 Hardness: SH 80

31.043S



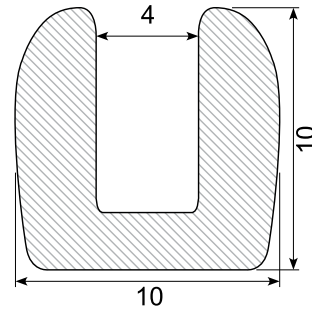
Material: EPDM black
Hardness: SH 65

31.064



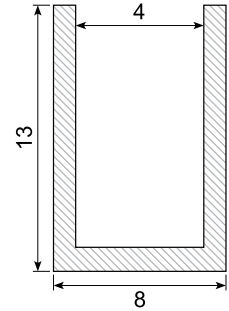
Material: EPDM black
Hardness: Hard

31.065S



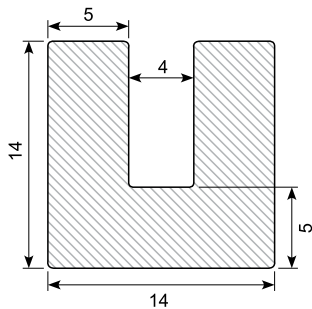
Material: EPDM black
Hardness: SH 65

31.061S



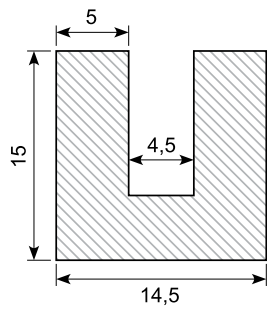
Material: EPDM black
Hardness: SH 65

30.6622N



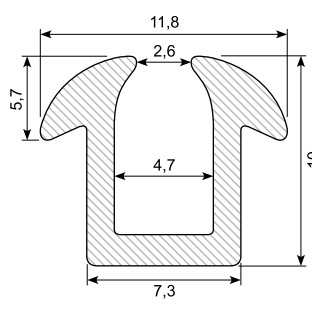
Material: NBR black
Hardness: SH 65
Oil resistant

30.6622 *



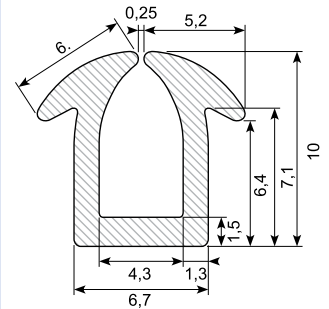
Material: EPDM black
Hardness: SH 65
Min. order: 500 m

31.216ST



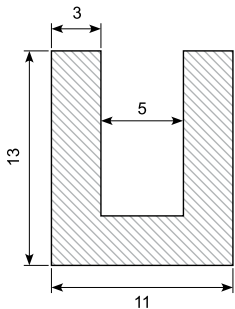
Material: EPDM black
Hardness: SH 65

31.216GS



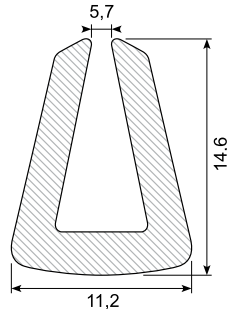
Material: Silicone light grey
Ral 7040
Hardness: SH 70

30.11459 *



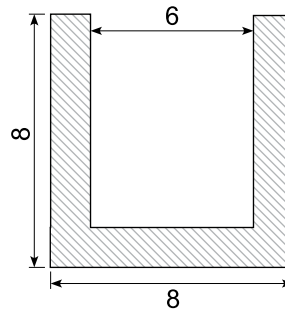
Material: Silicone transparent
Hardness: SH 45
Min. order: 250 m

34.035



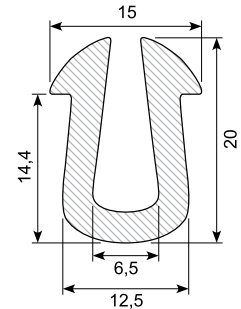
Material: PVC transparent
Hardness: Hard

31.066



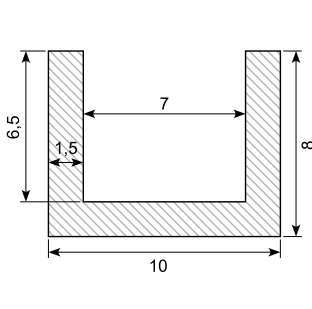
Material: Silicone black
Hardness: SH 70

30.6724



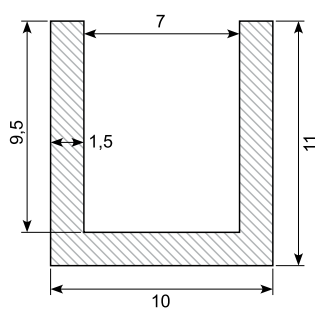
Material: EPDM black
Hardness: SH 65

30.14507-1 *



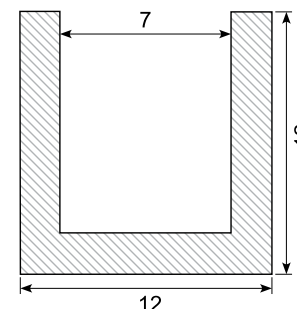
Material: EPDM black
Min. order: 3.000 m

30.14507-2 *



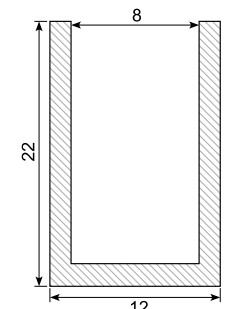
Material: EPDM black
Min. order: 3.000 m

31.068S



Material: EPDM black
Hardness: SH 65

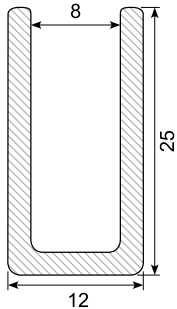
30.1386



Material: EPDM black
Hardness: SH 65

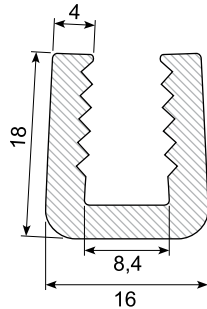
U-profiler / U-profiles

30.OT3440 *



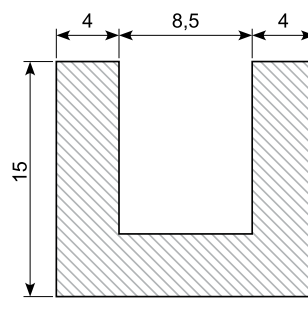
Material: Silicone black
Hardness: SH 60
Min. order: 100 m

30.12896



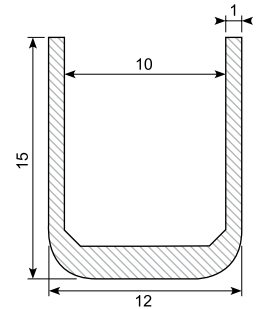
Material: EPDM black
Hardness: SH 65

31.074S *



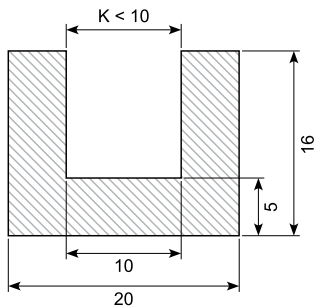
Material: EPDM black
Min. order: 1.000 m

30.7987



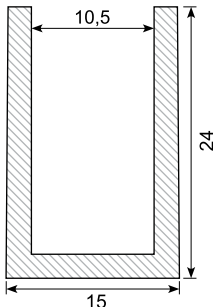
Material: EPDM black
Hardness: SH 65

30.OT0136 *



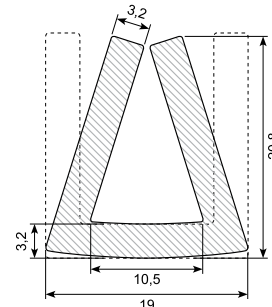
Material: Silicone white
Min. order: 100 m

31.070S



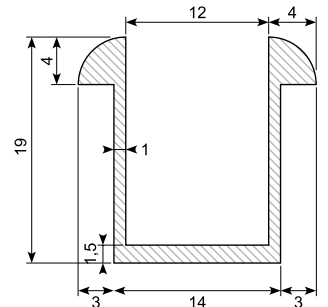
Material: EPDM black
Hardness: SH 50

31.071S



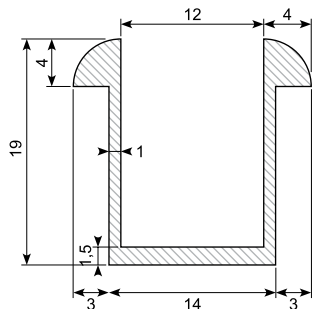
Material: EPDM black
Hardness: SH 65

30.2449



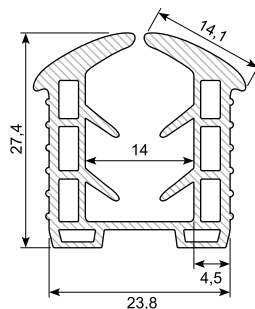
Material: PVC black
Length: 1.415 mm

30.2455



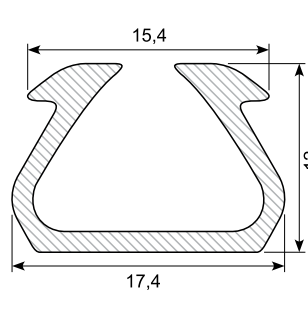
Material: PVC black
Length: 3.111 mm

30.11774



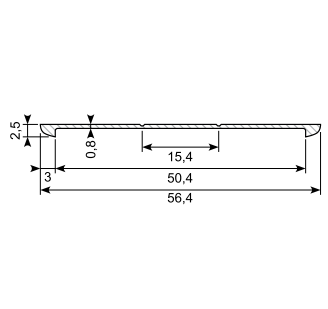
Material: EPDM
Hardness: SH 65

30.7508 *



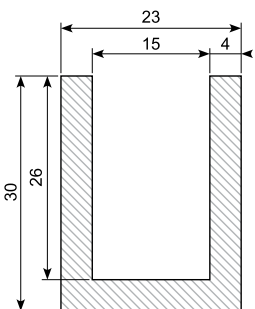
Material: EPDM black
Hardness: SH 65
Min. order: 400 m

30.9519 *



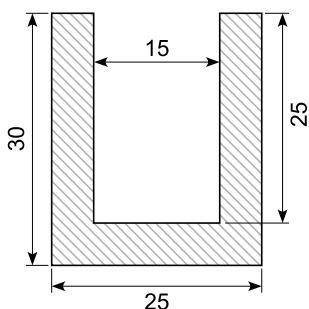
Material: PVC soft black
Min. order: 7.000 m

30.12932-1 *



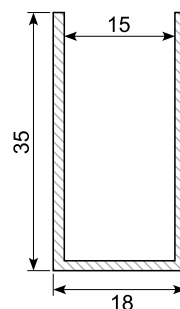
Material: EPDM black
Hardness: SH 60A
Min. order: 500 m

30.13535 *



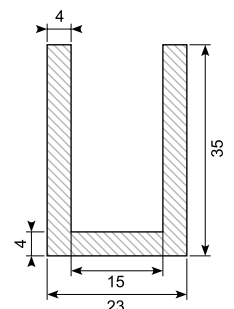
Material: EPDM black
Hardness: SH 60
Min. order: 420 m

30.7509



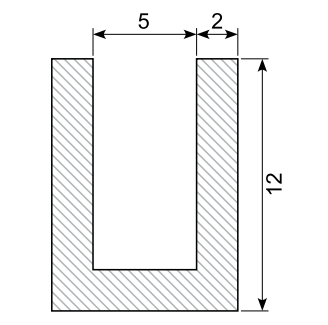
Material: EPDM black
Hardness: SH 65

30.10777-1 *



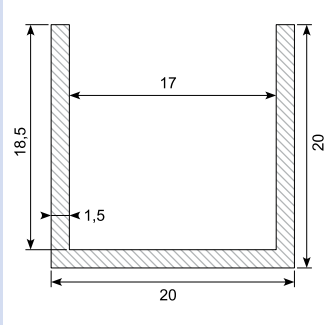
Material: TPE black
Hardness: SH 60
Min. order: 100 m

30.21101205



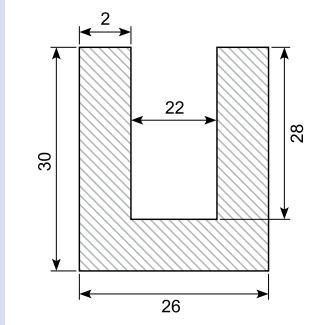
Material: EPDM
Hardness: SH 70

30.14507-3 *



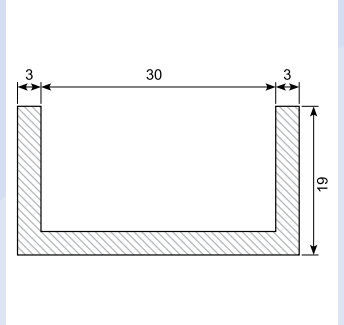
Material: EPDM
Min. order: 2.000 m

31.050



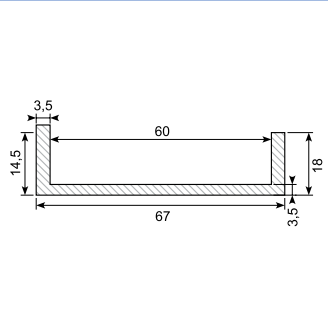
Material: EPDM black
Hardness: SH 65

30.14356 *



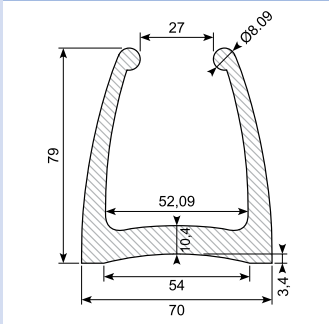
Material: TPE black
Hardness: SH 60
Min. order: 50 - 100 m

31.048 *



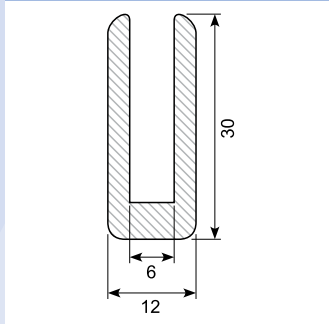
Material: EPDM black
Hardness: SH 65
Min. order: 250 m

30.11911 *



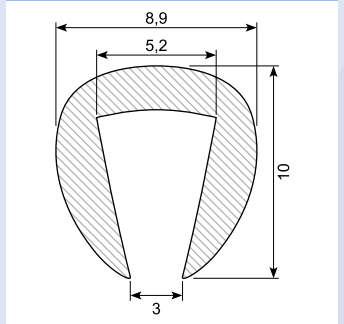
Material: EPDM
Hardness: SH 65
Min. order: 120 m

30.2984-5



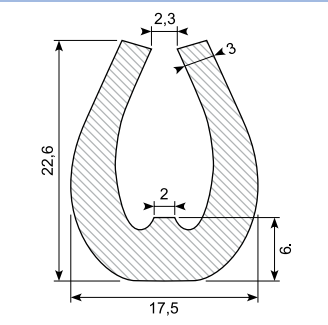
U-profile
Material: EPDM
Hardness: SH 70

34.117/6



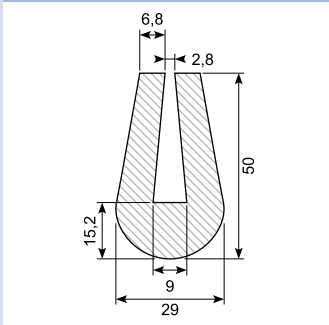
Material: Plastic metal grey

30.2984-6



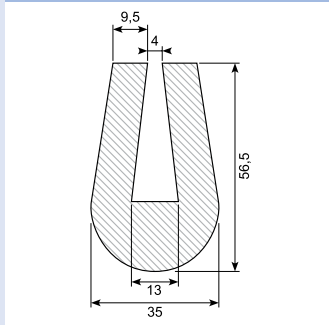
U-profile
Material: EPDM
Hardness: SH 80
Roll of 50 m

30.2984-1



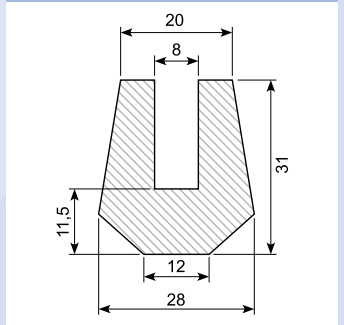
U-profile
Material: EPDM
Hardness: SH 70
Roll of 25 m

30.2984-2



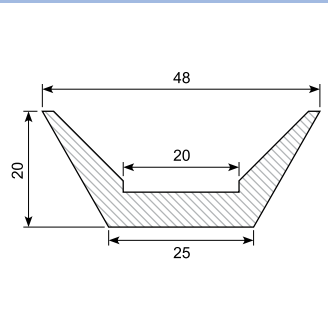
U-profile
Material: EPDM
Hardness: SH 65
Roll of 25 m

30.2984-3



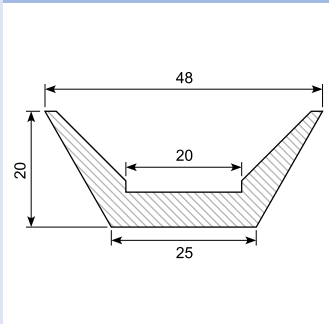
U-profile
Material: EPDM
Hardness: SH 70
Roll of 25 m

30.7519NBR *



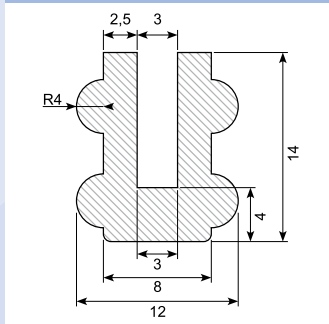
Material: NBR grey
Hardness: SH 65
Length: 3 m
Min. order: 500 m
Oil resistant

30.7519 *



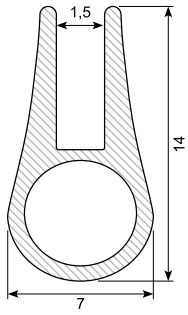
Material: EPDM black
Hardness: SH 65
Length: 50 m coils
Min. order: 50 - 250 m

30.14227 *



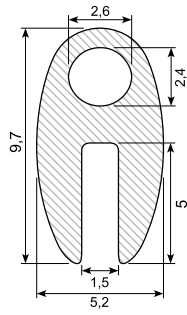
Material: Silicone transparent
Min. order: 100 m

31.037SI



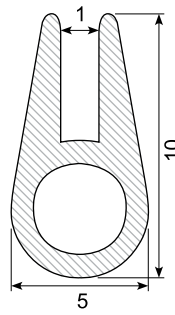
Material: Silicone black

31.035S



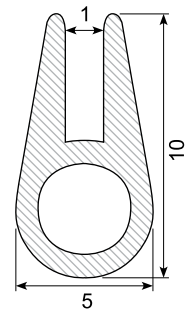
Material: EPDM black
Hardness: SH 65

31.036SI *



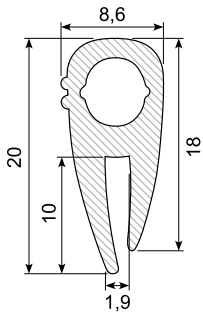
Material: Silicone black
Min. order: 200 m

31.036SI-LTC



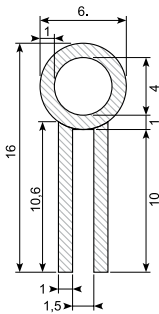
Material: Silicone black
UL94 approved

30.9884X *



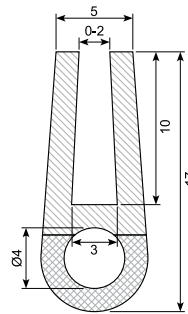
Material: EPDM
Min. order: 3.000 m

31.037 *



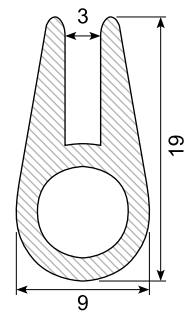
Material: EPDM
Hardness: SH 56 - 60A
Min. order: 2.000 m

30.9885

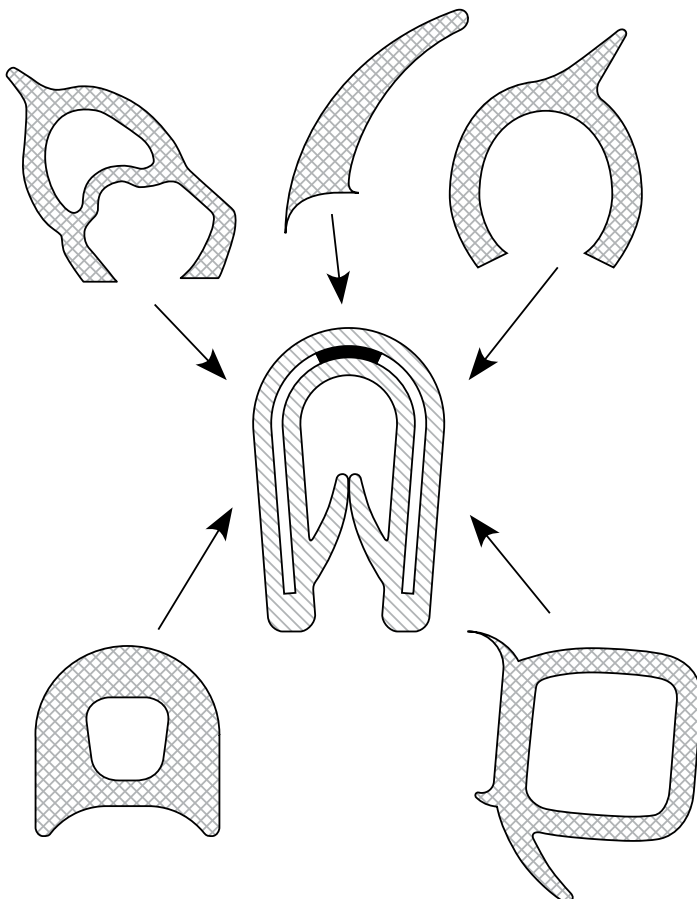


Material: EPDM
Hardness: SH 60

31.038SI

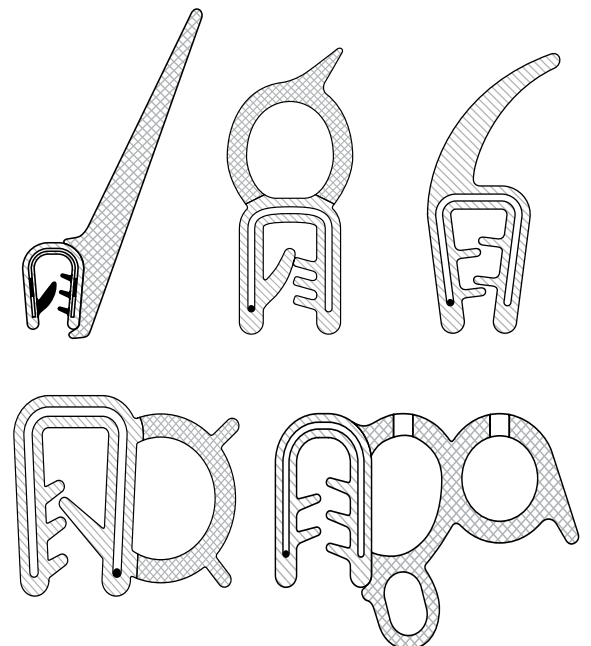


Material: Silicone black
Hardness: SH 60



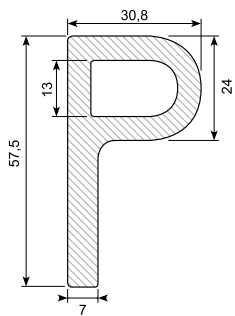
Edge trims

Configure your own edge trim or choose from the 2.000 different we have in stock.



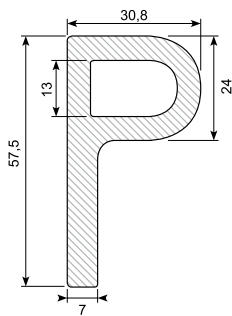
P-profiler / P-profiles

30.136



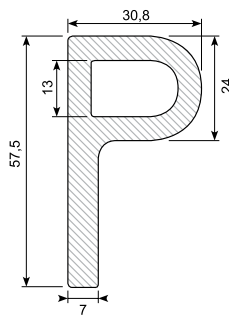
Material: EPDM black
Hardness: SH 65

30.136NBR



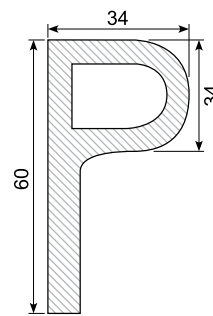
Material: NBR black
Hardness: SH 65
Oil resistant

30.136/45



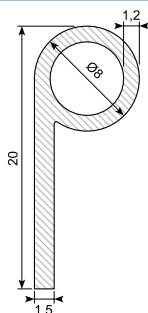
Material: EPDM black
Hardness: SH 45 soft

30.OT1057 *



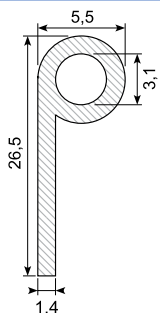
Material: Silicone white
Maks. 270°
Min. order: 50 m

30.182 *



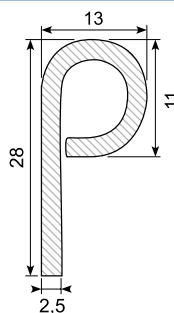
Material: Silicone grey
RAL 7040
Min. order: 100 m

30.22381



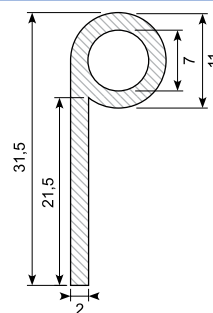
Material: CR black
Hardness: SH 70
Conditional oil resistant

30.148S *



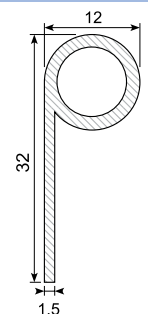
Material: EPDM black
Hardness: SH 65
Min. order: 450 m

30.7408X



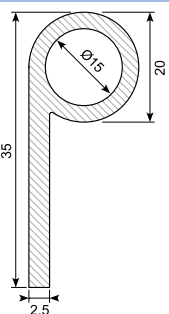
Material: EPDM black

30.OT2036



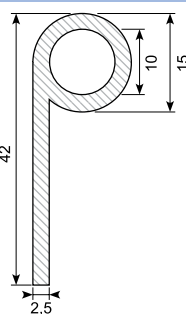
Material: Silicone black
Maks. 270°

30.140



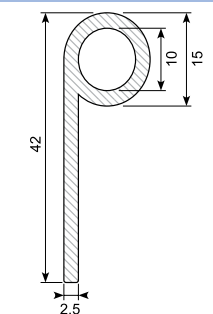
Material: EPDM

30.138S



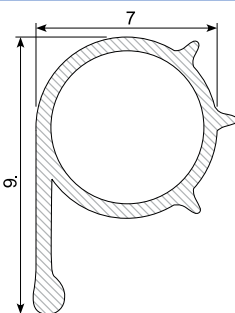
Material: EPDM black
Hardness: SH 65

30.138NBR *



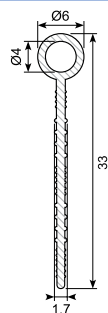
Material: NBR
Oil resistant
Min. order: 100 m

30.OT101 *



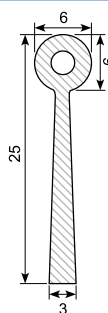
Material: Silicone brown
Min. order: 100 m

52.269X



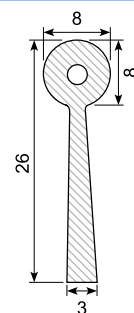
Material: PVC black
Hardness: Medium

30.174S *



Material: EPDM black
Hardness: SH 65
Min. order: 500 m

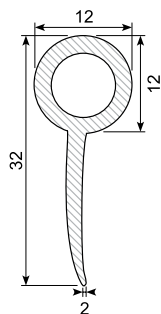
30.176 *



Material: EPDM black
Hardness: SH 65
Min. order: 1.000 m

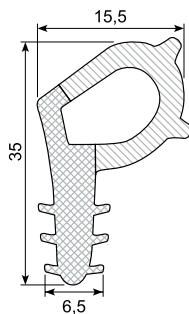
P-profiler / P-profiles

30.180



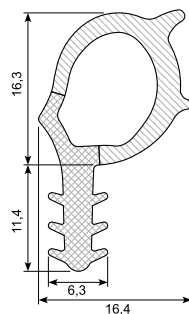
Material: EPDM black
Hardness: SH 65

30.8538 *



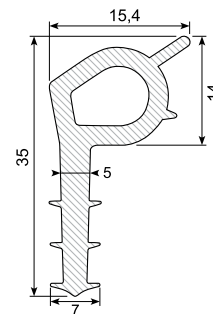
Material: EPDM co-ex
Hardness: SH 65 / density 0,70
Min. order: 2.000 m

30.8538B



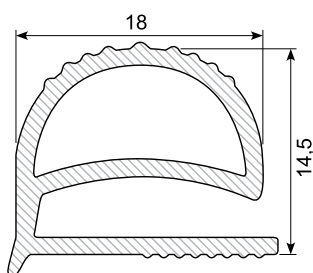
Material: EPDM co-ex
Hardness: SH 65 / density 0,5
Min. order: 2.000 m

30.OT3271 *



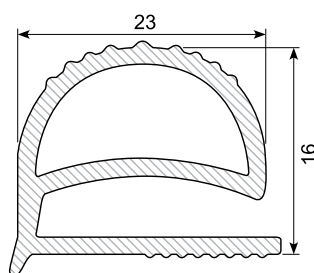
Material: Silicone light grey
Min. order: 1.000 m

30.6487 *



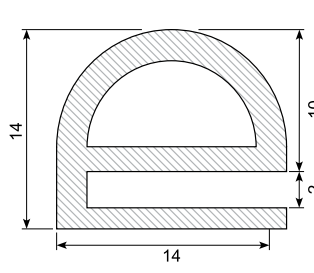
Material: PVC grey
Length: 3 m
Min. order: 1.000 m

30.SM251 *



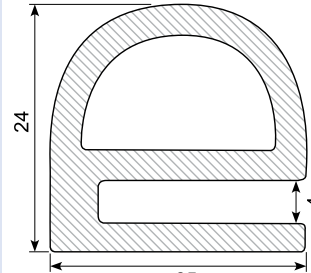
Material: TPE / EPDM grey
Hardness: SH 65
Length: 25 M
Min. order: 200 m

30.OT1081



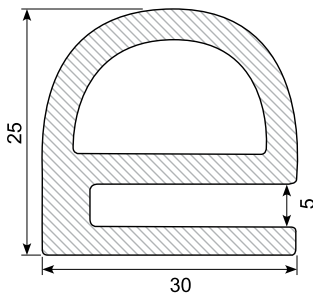
Material: Silicone white

30.OT3334



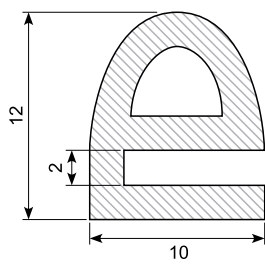
Material: Silicone white

31.OT2179 *



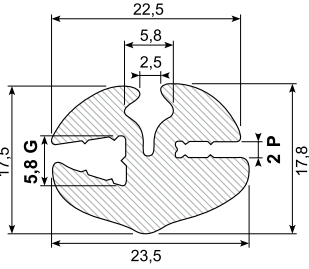
Material: Silicone white
Min. order: 100 m

30.OT1080



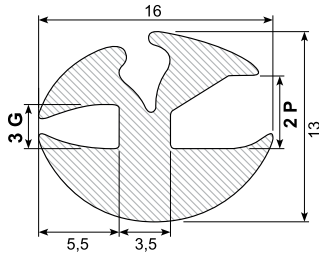
Edge trim: Silicone white
Hardness: SH 60

32.016S



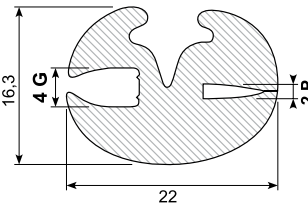
Material: EPDM black
Hardness: SH 65
Min. radius: 90 mm

32.924



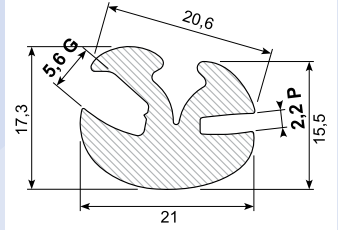
Material: EPDM black
Hardness: SH 60
Min. radius: 30 mm
Incl. wedge

32.2024CR *



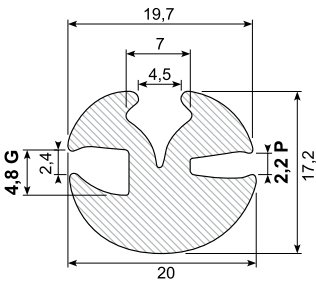
Material: CR black
Hardness: SH 65
Min. radius: 80 mm
Min. order: 200 m
Oil resistant

32.1024S



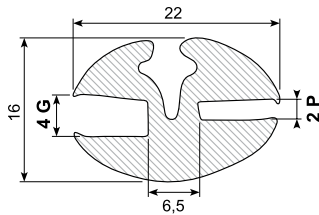
Material: EPDM black
Hardness: SH 65
Min. radius: 80 mm

32.1025S



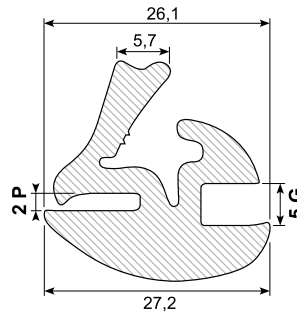
Material: EPDM black
Hardness: SH 65
Min. radius: 80 mm

32.2024M



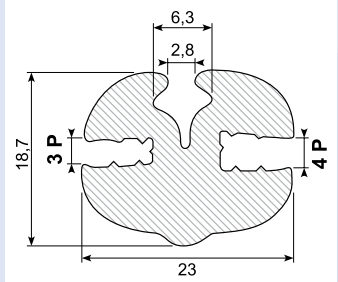
Material: EPDM black
Hardness: SH 65
Min. radius: 80 mm

32.1025SK



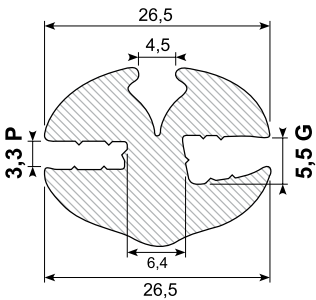
Material: EPDM black
Hardness: SH 65
Min. radius: 80 mm
Incl. wedge

32.034S



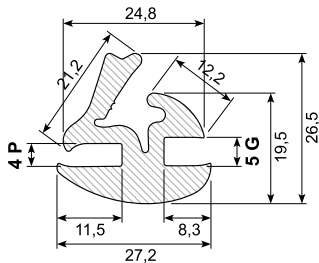
Material: EPDM black
Hardness: SH 65
Min. radius: 90 mm

32.036S



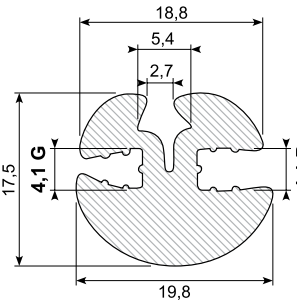
Material: EPDM black
Hardness: SH 65
Min. radius: 75 mm

32.1045SK *



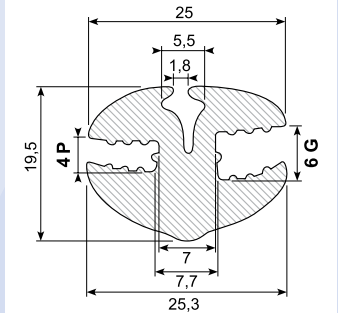
Material: EPDM black
Hardness: SH 65
Min. radius: 80 mm
Incl. wedge
Min. order: 100 m

32.044S



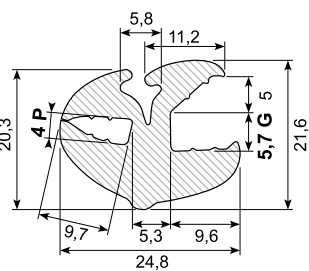
Material: EPDM black
Hardness: SH 65
Min. radius: 75 mm

32.046S



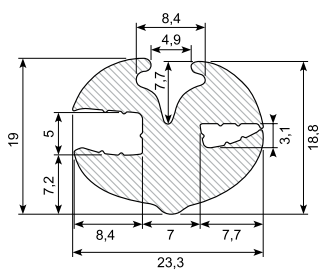
Material: EPDM black
Hardness: SH 65
Min. radius: 90 mm

32.2045M



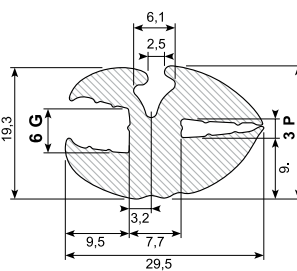
Material: EPDM black
Hardness: SH 65
Min. radius: 90 mm

30.8439



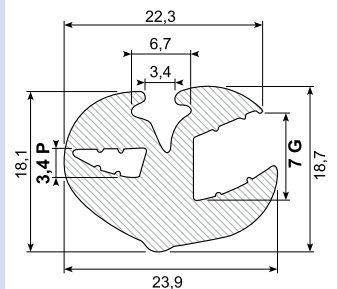
Material: EPDM
Hardness: SH 65

32.036X



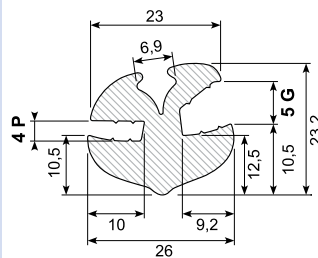
Material: EPDM
Hardness: SH 65

32.047



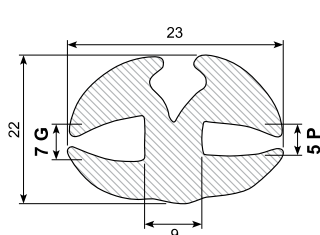
Material: EPDM black
Hardness: SH 65
Min. radius: 90 mm

32.1045S



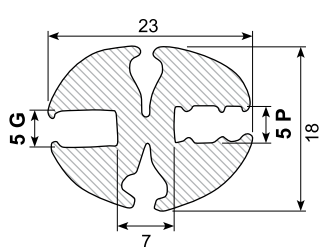
Material: EPDM black
Hardness: SH 65
Min. radius: 90 mm

32.057 *



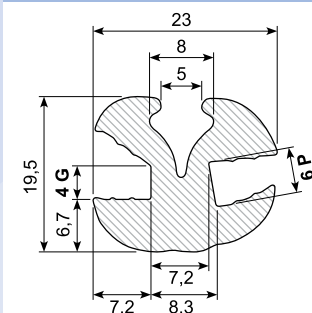
Material: EPDM black
Hardness: SH 65
Min. radius: 100 mm
Min. order: 300 m

32.255S



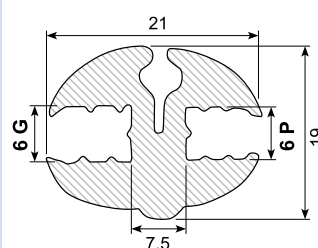
Material: EPDM black
Hardness: SH 65
Min. radius: 100 mm

32.064S



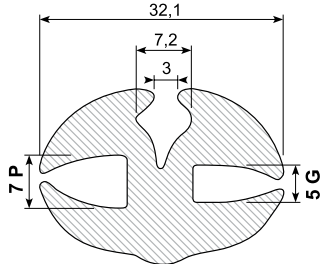
Material: EPDM black
Hardness: SH 70

32.066



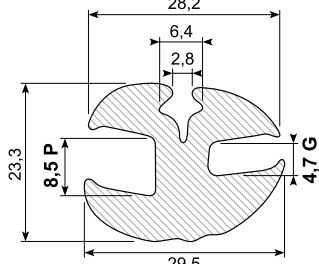
Material: EPDM black
Hardness: SH 65
Min. radius: 80 mm

32.075



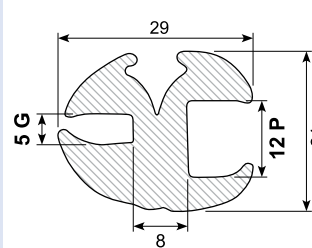
Material: EPDM black
Hardness: SH 65
Min. radius: 100 mm

32.095S



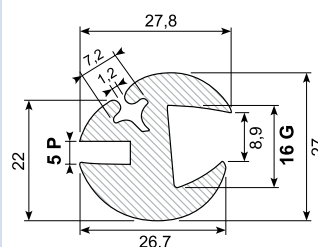
Material: EPDM black
Hardness: SH 65
Min. radius: 115 mm

32.512



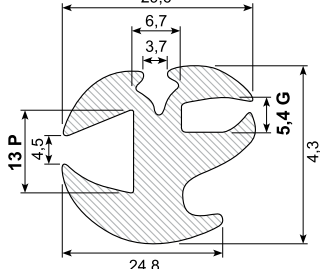
Material: EPDM black
Hardness: SH 65
Min. radius: 115 mm

32.165



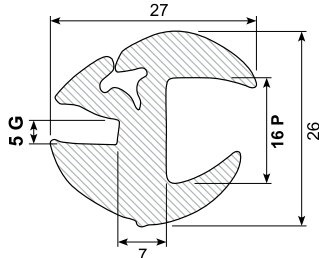
Material: EPDM black
Hardness: SH 65
Min. radius: 120 mm

32.514S *



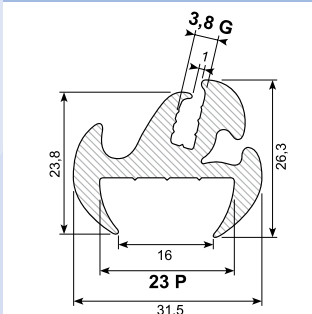
Material: EPDM black
Hardness: SH 65
Min. radius: 110 mm
Min. order: 300 m

32.516S



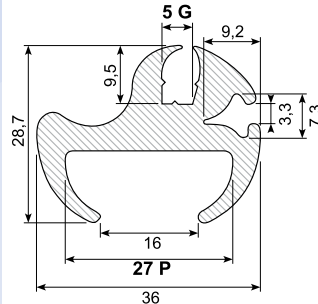
Material: EPDM black
Hardness: SH 65
Min. radius: 120 mm

32.523S



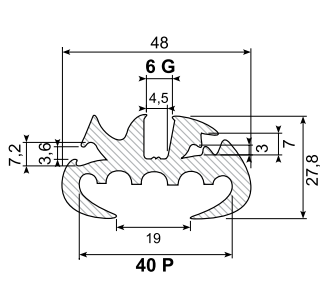
Material: EPDM black
Hardness: SH 65
Min. radius: 110 mm

32.527



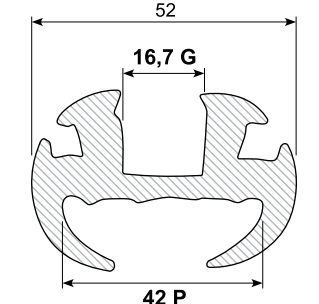
Material: EPDM black
Hardness: SH 65
Min. radius: 120 mm

32.1037S



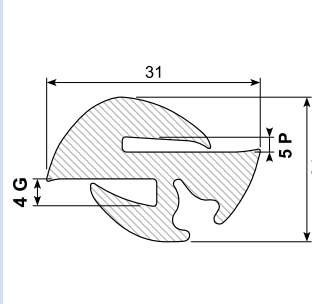
Material: EPDM black
Hardness: SH 65
Min. radius: 120 mm

32.1640 *



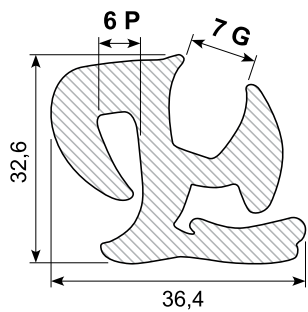
Material: EPDM black
Hardness: SH 65
Min. radius: 120 mm
Min. order: 50 m

32.754S



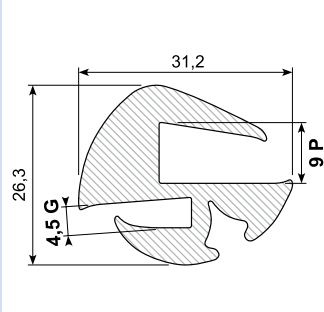
Material: EPDM black
Hardness: SH 65
Min. radius: 100 mm
Safety

32.866 *



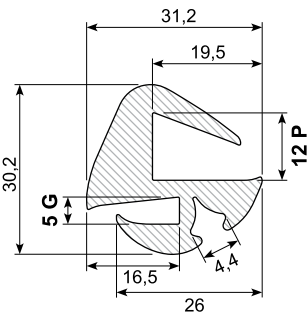
Material: EPDM black
 Hardness: SH 65
 Min. radius: 120 mm
 Safety
 Min. order: 250 m

32.795S



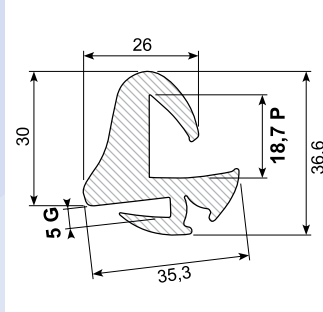
Material: EPDM black
 Hardness: SH 65
 Min. radius: 100 mm
 Safety

32.7125 *



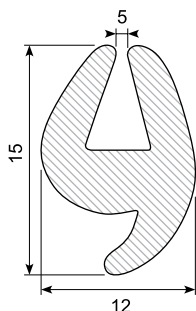
Material: EPDM black
 Hardness: SH 65
 Min. radius: 120 mm
 Safety
 Min. order: 250 m

32.7195S



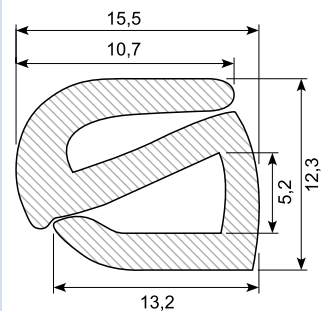
Material: EPDM black
 Hardness: SH 65
 Min. radius: 120 mm
 Safety

31.365 *



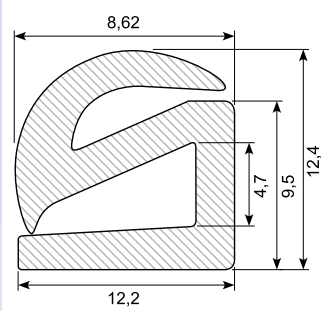
Material: EPDM black
 Hardness: SH 65
 Min. order: 1.000 m

31.116S



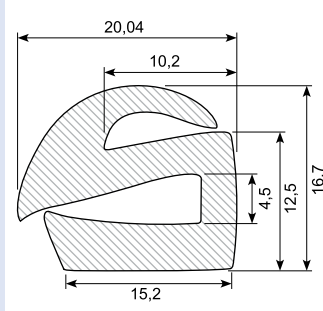
Material: EPDM black
 Hardness: SH 65

31.112S



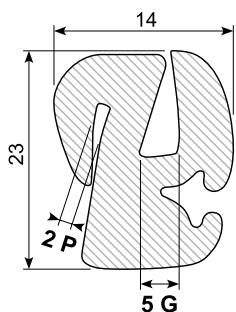
Material: EPDM black
 Hardness: SH 65

31.145S



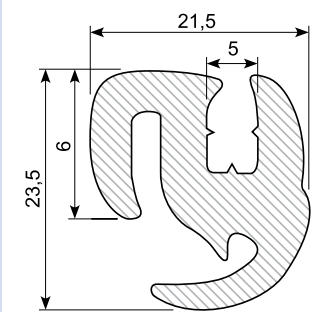
Material: EPDM black
 Hardness: SH 65

31.148



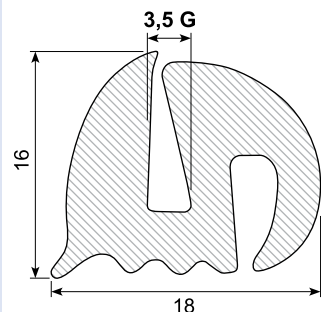
Material: EPDM black
 Hardness: SH 65

31.155



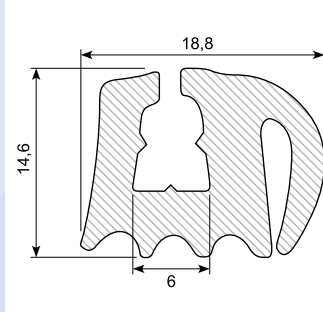
Material: EPDM black
 Hardness: SH 65

31.6701



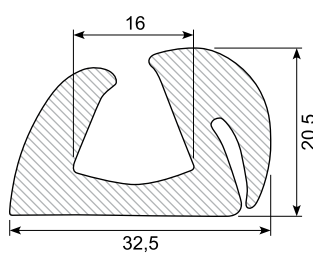
Material: EPDM black
 Hardness: SH 65

31.6703



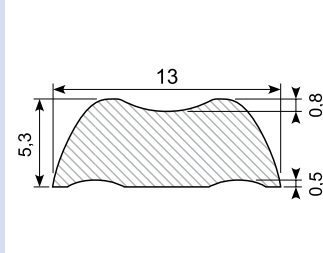
Material: EPDM black
 Hardness: SH 65

31.6702 *

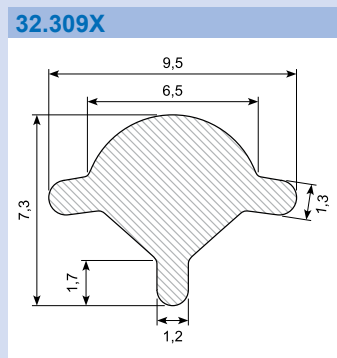


Material: EPDM black
 Hardness: SH 65
 Min. order: 500 m

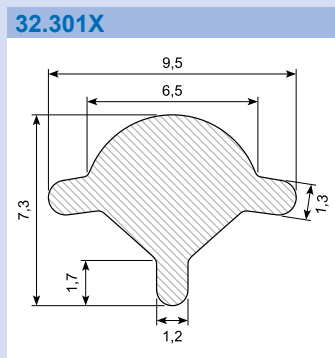
32.1307S



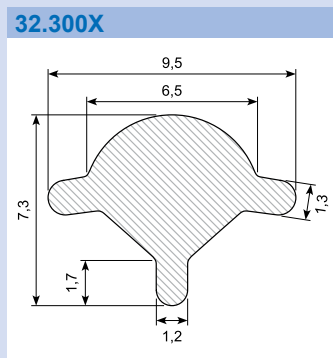
Material: EPDM black
 Hardness: SH 65



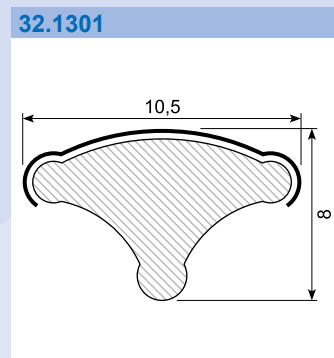
Material: PVC black



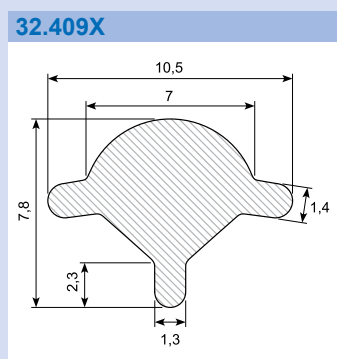
Material: PVC silver



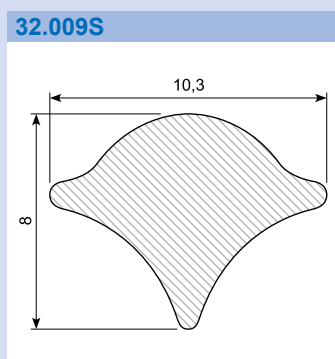
Material: PVC white



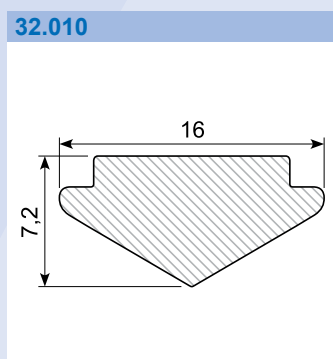
Material: PVC chrome



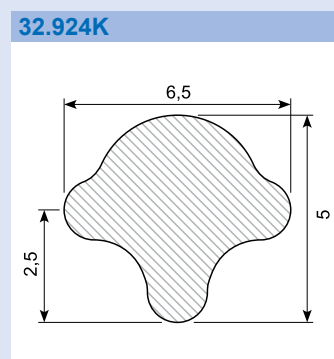
Material: PVC black



Material: EPDM black
Hardness: SH 65



Material: EPDM black
Hardness: SH 65

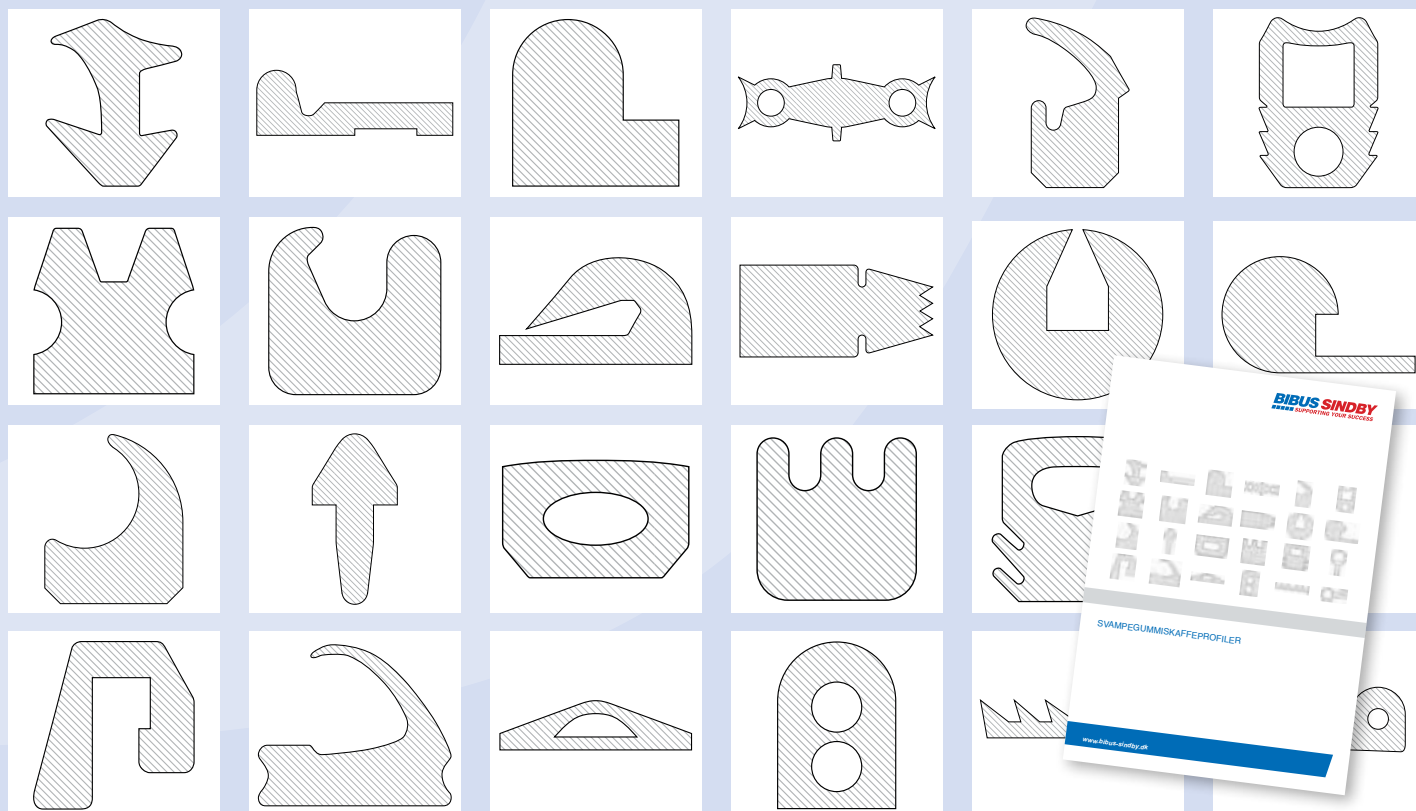


Material: EPDM black
For 32.924

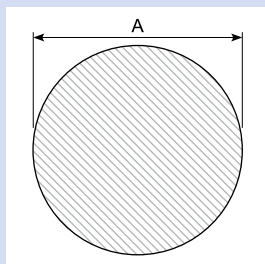
Svampegummiskaffeprofiler / Sponge rubber order profiles

Vi kan skaffe svampegummiprofiler i forskellige udformninger. Herunder finder du et lille udvalg. På vores hjemmeside kan du finde et katalog med endnu flere muligheder. Pris og varenummer på forespørgsel.

We can get you sponge rubber profiles in different shapes. Here you will find a small selection. On our webpage you can find a catalog with even more possibilities. Price and product number on request.



Svampegummi / Sponge rubber



Material: EPDM black
Hardness: SH 16 - 20
density 0,45 - 0,6

Material: CR dark grey
Hardness: SH 16 - 22
density 0,4 - 0,6

Material: NR dark grey
Hardness: SH 16 - 22
density 0,4 - 0,55

Material: EPDM dark grey
Hardness: SH 16 - 20
density 0,4 - 0,5

| Art. | Ø (mm) |
|-----------|--------|
| 36.7003 * | 3 |
| 36.7004 | 4 |
| 36.7005 | 5 |
| 36.7006 * | 6 |
| 36.7008 | 8 |
| 36.7009 | 9 |
| 36.7010 | 10 |
| 36.7012 | 12 |
| 36.7015 | 15 |
| 36.7050 * | 50 |

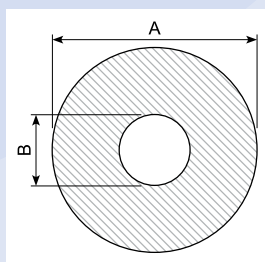
| Art. | Ø (mm) |
|------------|------------|
| 36.103CR | 3 |
| 36.104CR | 4 |
| 36.105CR | 5 |
| 36.106CR | 6 |
| 36.107CR | 7 |
| 36.108CR * | 8 |
| 36.110CR | 10 |
| 36.112CR | 12 |
| 36.115CR | 15 (black) |
| 36.118CR * | 18 (black) |
| 36.119CR * | 19 |
| 36.120CR * | 20 |
| 36.122CR | 22 |

| Art. | Ø (mm) |
|------------|--------|
| 36.102 * | 2 |
| 36.102.5 * | 2,5 |
| 36.103 * | 3 |
| 36.104 * | 4 |
| 36.106 * | 6 |
| 36.108 | 8 |
| 36.110 * | 10 |
| 36.112 | 12 |
| 36.115 * | 15 |
| 36.120 * | 20 |
| 36.125 * | 25 |
| 36.130 * | 30 |

| Art. | Ø (mm) |
|----------------------------|--------|
| 36.102E | 2 |
| 36.1025E * | 2,5 |
| 36.103E | 3 |
| 36.1035E | 3,5 |
| 36.1045E * | 4,5 |
| 36.105E * | 5 |
| 36.106E | 6 |
| 36.106EG * (Light grey) | 6 |
| 36.106ESP * | 6 |
| 36.107E | 7 |
| 36.108E * | 8 |
| 36.108EG * (Light grey) | 8 |
| 36.109E * | 9 |
| 36.110E * | 10 |
| 36.111E * | 11 |
| 36.112E * | 12 |
| 36.112EG * (Light grey) | 12 |
| 36.117E | 17 |
| 36.120E | 20 |
| 36.122E * | 22 |
| 36.125E | 25 |
| 36.130EX * | 30 |
| 36.135E * | 35 |

Material: EPDM black
Hardness: SH 16 - 20
density 0,45 - 0,6

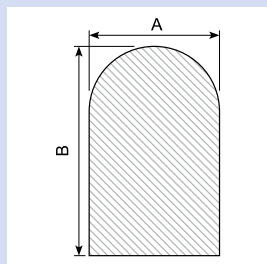
| Art. | Ø (mm) | Min. order |
|--------------|--------|------------|
| 36.7004.5X * | 4,5 | 3.000 |
| 36.7005X * | 5 | 3.000 |
| 36.7006X * | 6 | 3.000 |
| 36.7007X * | 7 | 3.000 |
| 36.7008X * | 8 | 3.000 |
| 36.7008.5X * | 8,5 | 3.000 |
| 36.7009X * | 9 | 3.000 |
| 36.7010X * | 10 | 3.000 |
| 36.7010.5X * | 10,5 | 3.000 |
| 36.7011X * | 11 | 3.000 |
| 36.7011.5X * | 11,5 | 3.000 |
| 36.7012X * | 12 | 3.000 |
| 36.7014X * | 14 | 3.000 |
| 36.7018X * | 18 | |
| 36.7028X * | 28 | |
| 36.7064X * | 64 | |



Material: EPDM black

| Art. | A x B (mm) | Min. length (m) |
|---------------|-------------|-----------------|
| 36.3416068 * | 16 x 6,8 | |
| 36.34155105 * | 15,5 x 10,5 | |
| 36.344511 * | 45 x 11 | |
| 36.341840 * | 40 x 18 | 200 |
| 36.342026 * | 26 x 20 | 1.000 |
| 36.342030 * | 30 x 20 | 800 |
| 36.342226 * | 26 x 22 | 1.000 |
| 36.342232 * | 32 x 22 | 500 |
| 36.342433 * | 33 x 24 | 500 |
| 36.342529 * | 29 x 25 | 1.000 |
| 36.342840 * | 40 x 28 | 250 |

Svampegummi / Sponge rubber



Material: NR
Hardness: SH 16 - 20
density 0,45 - 0,6

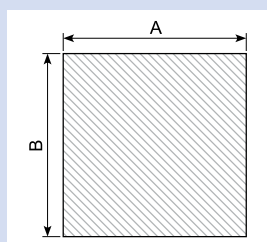
| Art. | A x B (mm) | Color |
|-----------|------------|-----------|
| 36.197 | 4 x 6 | Blue grey |
| 36.198A * | 6 x 8 | Blue grey |

Material: CR
Hardness: SH 16 - 20
density 0,4

| Art. | A x B (mm) | Color |
|------------|------------|-----------|
| 36.198CR * | 6 x 8 | Dark grey |
| 36.200 | 8 x 8 | Dark grey |
| 36.202 | 10 x 12 | Dark grey |

Material: EPDM

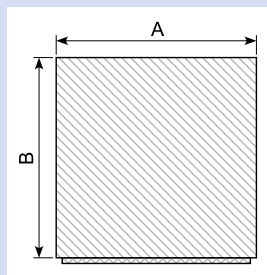
| Art. | A x B (mm) | Color |
|---------|------------|------------|
| 36.198 | 6 x 8 | Grey |
| 36.198S | 6 x 8 | Black |
| 36.199 | 6 x 10 | Light grey |
| 36.208 | 10 x 20 | Light grey |
| 36.3314 | 12 x 17 | Dark grey |



Material: EPDM
dark grey
Hardness: SH 14 - 16
density 0,38 - 0,42

Flere størrelser kan skaffes.
Find den komplette liste af svampegummiværktøjer på hjemmesiden.
[Other sizes can be ordered.](#)
Find complete list on our homepage.

| Art. | A x B (mm) | Varenr. | A x B (mm) | Art. | A x B (mm) | Art. | A x B (mm) |
|-----------|------------|------------|------------|-----------|------------|-----------|------------|
| 35.0806 * | 8 x 6 | 35.1515 | 15 x 15 | 35.2510 | 25 x 10 | 35.3535 * | 35 x 35 |
| 35.1003 * | 10 x 3 | 35.1605 | 16 x 5 | 35.2515 | 25 x 15 | 35.4005 * | 40 x 5 |
| 35.1004 * | 10 x 4 | 35.1608 * | 16 x 8 | 35.2520 | 25 x 20 | 35.4010 | 40 x 10 |
| 35.1005 | 10 x 5 | 35.2003 | 20 x 3 | 35.2525 | 25 x 25 | 35.4020 | 40 x 20 |
| 35.1007 * | 10 x 7 | 35.2005 | 20 x 5 | 35.3005 * | 30 x 5 | 35.4030 * | 40 x 30 |
| 35.1008 | 10 x 8 | 35.20055 * | 20 x 5,5 | 35.3007 | 30 x 7 | 35.4035 * | 40 x 35 |
| 35.1010 | 10 x 10 | 35.2010 | 20 x 10 | 35.3010 | 30 x 10 | 35.4040 | 40 x 40 |
| 35.1203 * | 12 x 3 | 35.2012 | 20 x 12 | 35.3012 * | 30 x 12 | 35.4505 * | 45 x 5 |
| 35.1209 * | 12 x 9 | 35.2015 | 20 x 15 | 35.3015 | 30 x 15 | 35.5005 * | 50 x 5 |
| 35.1212 | 12 x 12 | 35.2018 * | 20 x 18 | 35.3020 | 30 x 20 | 35.5006 * | 50 x 6 |
| 35.1503 * | 15 x 3 | 35.2020 | 20 x 20 | 35.3025 | 30 x 25 | 35.5010 * | 50 x 10 |
| 35.1507 * | 15 x 7 | 35.2502 | 25 x 2 | 35.3030 | 30 x 30 | 35.5010E | 50 x 10 |
| 35.1510 | 15 x 10 | 35.2505 | 25 x 5 | 35.3505 | 35 x 5 | 35.6010 * | 60 x 10 |
| 35.1512 * | 15 x 12 | 35.2506 * | 25 x 6 | 35.3510 * | 35 x 10 | 35.6040 * | 60 x 40 |

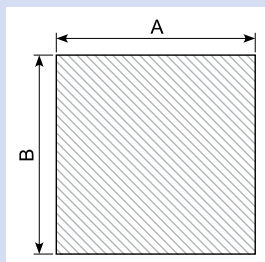


Material: EPDM
dark grey
with adhesive
Hardness: SH 14 - 16
density 0,38 - 0,42

Flere størrelser kan skaffes.
Find den komplette liste af svampegummiværktøjer på hjemmesiden.
[Other sizes can be ordered.](#)
Find complete list on our homepage.

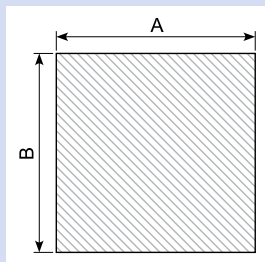
| Art. | A x B (mm) | Varenr. | A x B (mm) | Art. | A x B (mm) | Art. | A x B (mm) |
|------------|------------|-------------|------------|------------|------------|-------------|------------|
| 35.0806K * | 8 x 6 | 35.1510K | 15 x 10 | 35.2207K * | 22 x 7 | 35.3510K * | 35 x 10 |
| 35.0808K * | 8 x 8 | 35.1512K * | 15 x 12 | 35.2505K | 25 x 5 | 35.3535K * | 35 x 35 |
| 35.1003K | 10 x 3 | 35.1515K | 15 x 15 | 35.2506K * | 25 x 6 | 35.4003K | 40 x 3 |
| 35.1004K * | 10 x 4 | 35.1605K * | 16 x 5 | 35.2508K * | 25 x 8 | 35.4005K | 40 x 5 |
| 35.1005K | 10 x 5 | 35.1608K * | 16 x 8 | 35.2510K | 25 x 10 | 35.4010K | 40 x 10 |
| 35.1007K * | 10 x 7 | 35.1708K * | 17 x 8 | 35.2515K | 25 x 15 | 35.4012K * | 40 x 12 |
| 35.1008K | 10 x 8 | 35.1803K * | 18 x 3 | 35.2520K | 25 x 20 | 35.4020K * | 40 x 20 |
| 35.1010K | 10 x 10 | 35.1808KX | 18 x 8 | 35.2525K | 25 x 25 | 35.4030K | 40 x 30 |
| 35.1203K * | 12 x 3 | 35.18053K * | 18 x 5,3 | 35.2806K | 28 x 6 | 35.4035K | 40 x 35 |
| 35.1204K * | 12 x 4 | 35.1809K * | 18 x 9 | 35.3003K | 30 x 3 | 35.4040K | 40 x 40 |
| 35.1204KL | 12 x 4 | 35.1904K * | 19 x 4 | 35.3005K | 30 x 5 | 35.4505K * | 45 x 5 |
| 35.1206K * | 12 x 6 | 35.2003K | 20 x 3 | 35.3006K | 30 x 6 | 35.5006K | 50 x 6 |
| 35.1208K * | 12 x 8 | 35.2005K | 20 x 5 | 35.3007K * | 30 x 7 | 35.5010K | 50 x 10 |
| 35.1209K * | 12 x 9 | 35.2006K | 20 x 6 | 35.3010K | 30 x 10 | 35.5020K * | 50 x 20 |
| 35.1212K | 12 x 12 | 35.20055K * | 20 x 5,5 | 35.3012K | 30 x 12 | 35.6002K | 60 x 2 |
| 35.1503K * | 15 x 3 | 35.2010K * | 20 x 10 | 35.3015K | 30 x 15 | 35.8020K * | 80 x 20 |
| 35.1504K | 15 x 4 | 35.2010KL | 20 x 10 | 35.3020K | 30 x 20 | 35.10020K * | 100 x 20 |
| 35.1505K | 15 x 5 | 35.2012K | 20 x 12 | 35.3025K * | 30 x 25 | | |
| 35.1506K | 15 x 6 | 35.2015K | 20 x 15 | 35.3030K | 30 x 30 | | |
| 35.1507K * | 15 x 7 | 35.2020K | 20 x 20 | 35.3505K * | 35 x 5 | | |

Svampegummi / Sponge rubber



Material: EPDM
dark grey
Hardness: SH 16 - 20
density 0,4 - 0,5

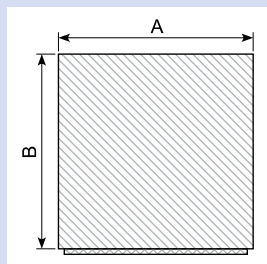
| Art. | A x B (mm) | Art. | A x B (mm) | Art. | A x B (mm) |
|------------------|------------|------------|------------|------------|------------|
| 36.1010E (black) | 10 x 10 | 36.2010E | 20 x 10 | 36.4015E | 40 x 15 |
| 36.1210E * | 12 x 10 | 36.2510E | 25 x 10 | 36.4020E * | 40 x 20 |
| 36.1503E * | 15 x 3 | 36.2520E * | 25 x 20 | 36.4025E * | 40 x 25 |
| 36.1505E | 15 x 5 | 36.2525E * | 25 x 25 | 36.4030E | 40 x 30 |
| 36.1510E | 15 x 10 | 36.3010E | 30 x 10 | 36.5020E * | 50 x 20 |
| 36.1512E * | 15 x 12 | 36.3025E | 30 x 25 | 36.6030E * | 60 x 30 |
| 36.1612E * | 16 x 12 | 36.3520E | 35 x 20 | | |
| 36.1815EG * | 18 x 15 | 36.4010E * | 40 x 10 | | |



Material: NR
dark grey
Hardness: SH 16 - 20
density 0,4 - 0,5

| Art. | A x B (mm) | Art. | A x B (mm) | Art. | A x B (mm) |
|-------------------------|------------|------------|------------|-----------|------------|
| 36.0505 * | 5 x 5 | 36.1605 * | 16 x 5 | 36.3005 | 30 x 5 |
| 36.0806 * | 8 x 6 | 36.1808G * | 18 x 8 | 36.3010 | 30 x 10 |
| 36.1003 | 10 x 3 | 36.1816 * | 18 x 16 | 36.3015 | 30 x 15 |
| 36.1005 * | 10 x 5 | 36.2002 * | 20 x 2 | 36.3020 | 30 x 20 |
| 36.1005G (light grey) * | 10 x 5 | 36.2003 * | 20 x 3 | 36.3030 | 30 x 30 |
| 36.1007 * | 10 x 7 | 36.2005 | 20 x 5 | 36.3516 * | 35 x 16 |
| 36.1008 * | 10 x 8 | 36.2010 | 20 x 10 | 36.4010 * | 40 x 10 |
| 36.1010 (black) | 10 x 10 | 36.2015 | 20 x 15 | 36.4012 * | 40 x 12 |
| 36.1205 * | 12 x 5 | 36.2020 | 20 x 20 | 36.4015 * | 40 x 15 |
| 36.1206 * | 12 x 6 | 36.2503 * | 25 x 3 | 36.4025 | 40 x 25 |
| 36.1210 | 12 x 10 | 36.2505 | 25 x 5 | 36.5010 * | 50 x 10 |
| 36.1503 * | 15 x 3 | 36.2510 | 25 x 10 | 36.5020 | 50 x 20 |
| 36.1510 | 15 x 10 | 36.2515 | 25 x 15 | 36.5025 * | 50 x 25 |
| 36.1512 * | 15 x 12 | 36.2520 * | 25 x 20 | 36.5030 | 50 x 30 |
| 36.1515 | 15 x 15 | 36.2525 | 25 x 25 | 36.6030 * | 60 x 30 |
| 36.1604 * | 16 x 4 | 36.3003 * | 30 x 3 | | |

Svampegummi / Sponge rubber

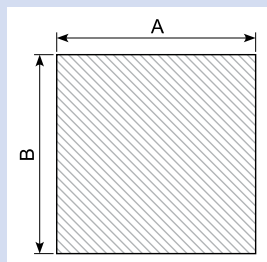


Material: Silicone white
Hardness: SH 16 - 20
density 0,4 - 0,5

Material: Silicone black
Hardness: SH 16 - 20
density 0,4 - 0,5

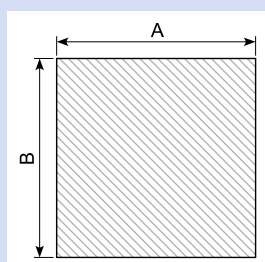
| Art. | A x B (mm) | Art. | A x B (mm) | Art. | A x B (mm) |
|--------------|------------|---------------------------------|------------|----------------|------------|
| 36.1003SIH * | 10 x 3 | 36.2003SIH * | 20 x 3 | 36.2520SIH | 25 x 20 |
| 36.1006SIH * | 10 x 6 | 36.2005SIH * | 20 x 5 | 36.2525SIH | 25 x 25 |
| 36.1010SIH * | 10 x 10 | 36.2010SIH * | 20 x 10 | 36.3005SIHKF * | 30 x 5 |
| 36.1212SIH | 12 x 12 | 36.2010SIHK* (with adhesive) | 20 x 10 | 36.3010SIH * | 30 x 10 |
| 36.1505SIH | 15 x 5 | 36.2015SIH * | 20 x 15 | 36.3020SIH * | 30 x 20 |
| 36.1512SIH * | 15 x 12 | 36.2020SIH * | 20 x 20 | 36.4012SIH * | 40 x 12 |
| 36.1610SIH * | 16 x 10 | 36.2505SIH | 25 x 5 | 36.5005SIH * | 50 x 5 |
| 36.1616SIH * | 16 x 16 | 36.2510SIH | 25 x 10 | | |
| 36.1812SIH * | 18 x 12 | 36.2515SIH * | 25 x 15 | | |

| Art. | A x B (mm) |
|--------------|------------|
| 36.2010SIS * | 20 x 10 |
| 36.2520SIS * | 25 x 20 |



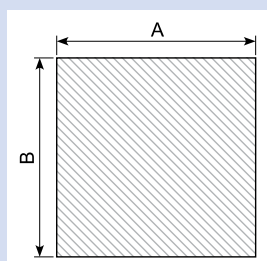
Material: CR black
Hardness: SH 18 - 25
density 0,5 - 0,75

| Art. | A x B (mm) |
|-------------|------------|
| 36.1010CR * | 10 x 10 |
| 36.2010CR * | 20 x 10 |
| 36.2020CR * | 20 x 20 |
| 36.3015CR | 30 x 15 |
| 36.4020CR * | 40 x 20 |
| 36.5005CR * | 50 x 5 |



Economy
Material: Black
Hardness: Density 0,45

| Art. | A x B (mm) | Min. order (m) | |
|-------------|------------|----------------|--------------|
| 36.1005X * | 10 x 5 | 3.000 | |
| 36.1505X * | 15 x 5 | 3.000 | |
| 36.2005X * | 20 x 5 | 3.000 | |
| 36.2505X * | 25 x 5 | 3.000 | |
| 36.3005X * | 30 x 5 | | |
| 36.1406X * | 14 x 6 | 3.000 | |
| 36.1007X * | 10 x 7 | 3.000 | |
| 36.1507X * | 15 x 7 | 3.000 | |
| 36.2507X * | 25 x 7 | 3.000 | |
| 36.2008X | 20 x 8 | | |
| 36.2508X * | 25 x 8 | 3.000 | |
| 36.1010X * | 10 x 10 | 3.000 | |
| 36.1210X * | 12 x 10 | 3.000 | |
| 36.2010X | 20 x 10 | | |
| 36.4010X * | 40 x 10 | 2.000 | |
| 36.5010X * | 50 x 10 | 1.000 | |
| 36.12511X * | 12,5 x 11 | 3.000 | |
| 36.1212X * | 12 x 12 | 3.000 | |
| 36.1612X * | 16 x 12 | 3.000 | |
| 36.2318X * | 23 x 18 | 2.000 | |
| 36.3015X * | 30 x 15 | 1.500 | |
| 36.3515X * | 35 x 15 | 1.500 | |
| 36.4020X | 40 x 20 | | |
| 36.3003X * | 30 x 3 | 3.000 | |
| 36.3006X * | 30 x 6 | 3.000 | |
| 36.3020X * | 30 x 20 | 1.500 | Soft corners |
| 36.3305X * | 33 x 5 | 3.000 | |
| 36.3520X | 35 x 20 | 1.000 | Soft corners |
| 36.5005X * | 50 x 5 | 2.000 | |
| 36.2512X | 25 x 12 | 2.000 | Soft corners |



Material: NBR

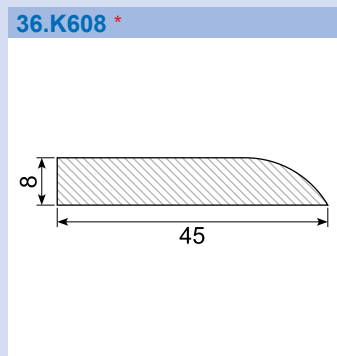
| Art. | A x B (mm) |
|------------|------------|
| 36.6020NBR | 60 x 20 |



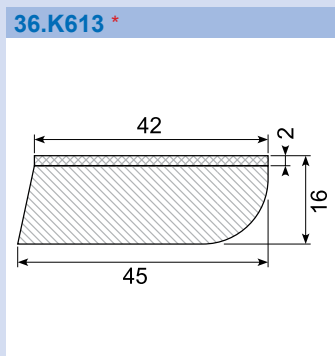
Sponge rubber plates
Material: EPDM / NR
Color: Dark grey

| Art. | Length (mm) | Thickness (mm) | Width (mm) | Quality |
|------------|-------------|----------------|------------|---------|
| 38.152EPDM | 1.000 | 2 | 1.000 | EPDM |
| 38.153EPDM | 1.000 | 3 | 1.000 | EPDM |
| 38.154EPDM | 1.000 | 4 | 1.000 | EPDM |
| 38.155EPDM | 1.000 | 5 | 1.000 | EPDM |
| 38.156EPDM | 1.000 | 6 | 1.000 | EPDM |
| 38.158EPDM | 1.000 | 8 | 1.000 | EPDM |
| 38.160EPDM | 1.000 | 10 | 1.000 | EPDM |
| 38.162EPDM | 1.000 | 12 | 1.000 | EPDM |
| 38.165EPDM | 1.000 | 15 | 1.000 | EPDM |
| 38.170EPDM | 1.000 | 20 | 1.000 | EPDM |
| 38.175EPDM | 1.000 | 25 | 1.000 | EPDM |
| 38.180NR * | 1.000 | 30 | 1.000 | NR |

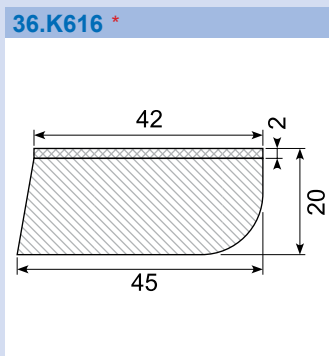
Svampegummi i svøb (lugepakninger)



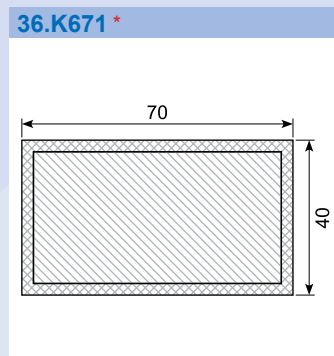
Color: Black



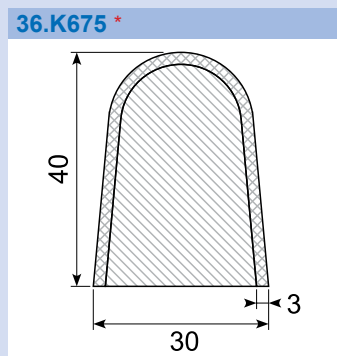
Color: Black



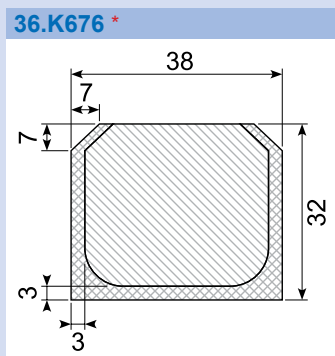
Color: Black



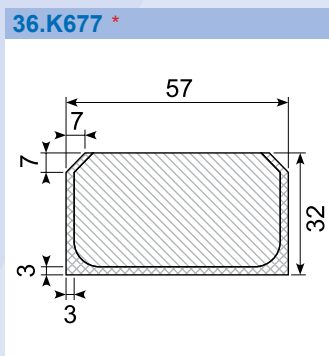
Color: Black



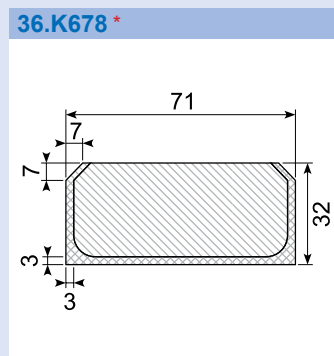
Color: Black



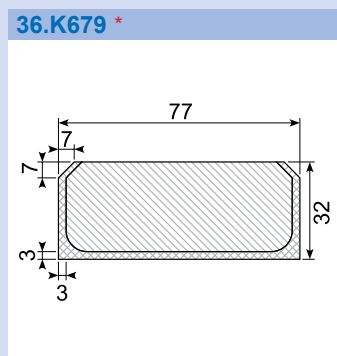
Color: Black



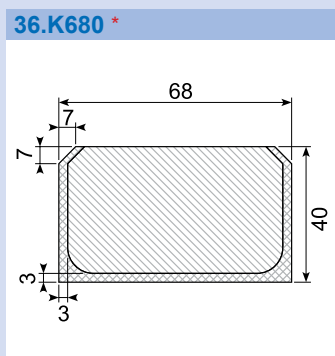
Color: Black



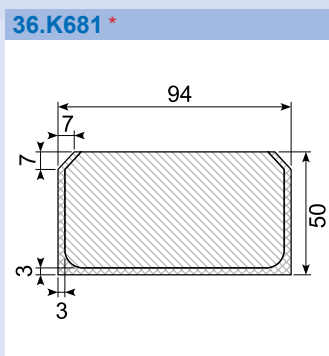
Color: Black



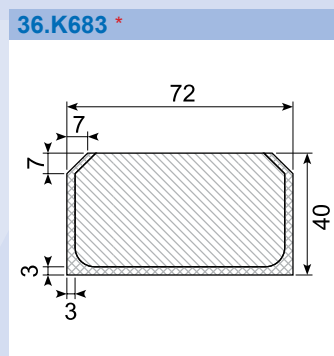
Color: Black



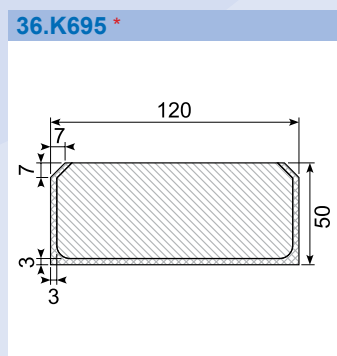
Color: Black



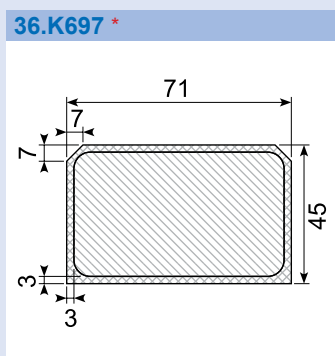
Color: Black



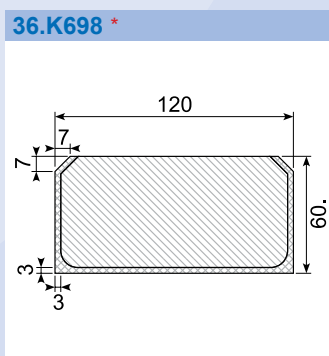
Color: Black



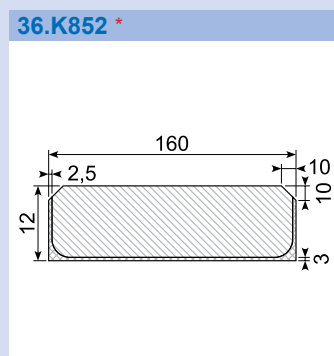
Color: Black



Color: Black

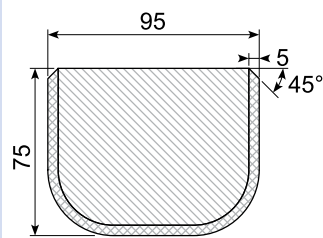


Color: Black



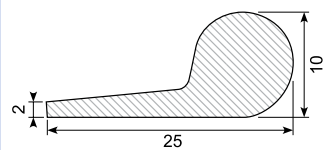
Color: Black

36.K853 *



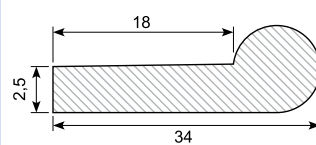
Color: Black

36.3351 *



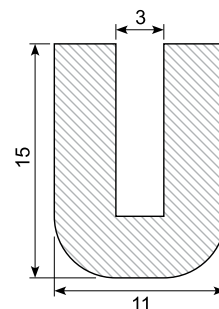
Material: EPDM black
Hardness: SH 14 - 16
density 0,38 - 0,4
Min. order: 500 m

36.3354 *



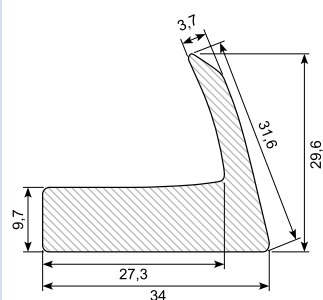
Material: NR dark grey
Hardness: SH 16 - 20
density 0,4
Min. order: 500 m

36.3813



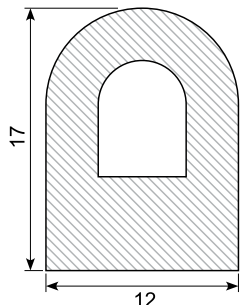
Material: EPDM dark grey
Hardness: SH 16 - 20
density 0,4 - 0,45

36.B380



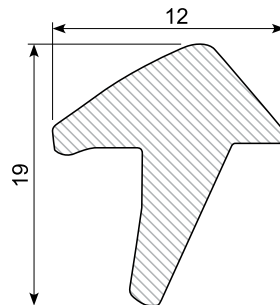
Material: EPDM
Length: 3 m

36.3315



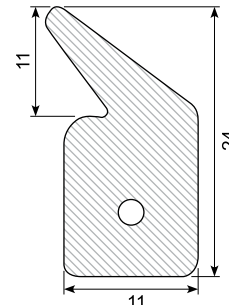
Material: EPDM black
Hardness: SH 18 - 20
density 0,45 - 0,55

36.3504



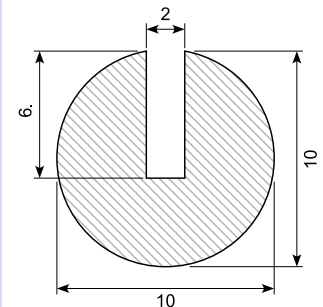
Material: EPDM dark grey
Hardness: SH 14 - 16
density 0,38 - 0,42

36.3881



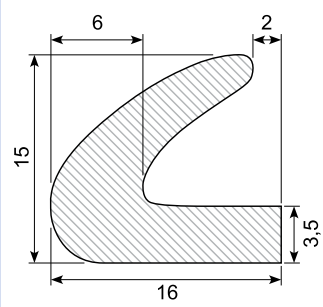
Material: EPDM grey
Hardness: SH 16 - 20
density 0,4 - 0,5

36.14044 *



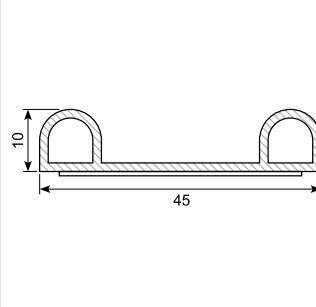
Material: EPDM
Min. order: 500 m

36.3704



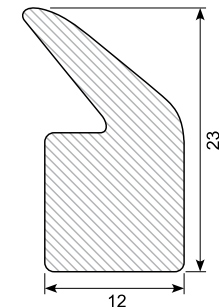
Material: NR dark grey
Hardness: SH 20 - 25
density 0,55 - 0,65

30.13144

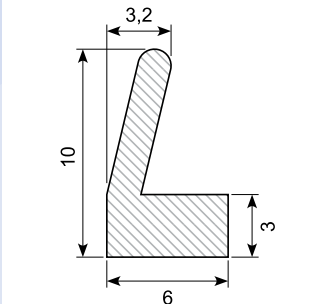


Material: EPDM
with adhesive

36.3882

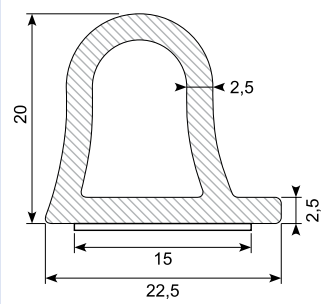


36.3897



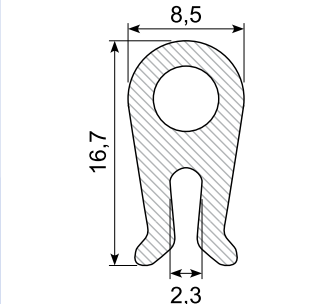
Material: EPDM light grey

30.13315 *



Hardness: Density 0,7
Min. order: 1.000 m
With adhesive

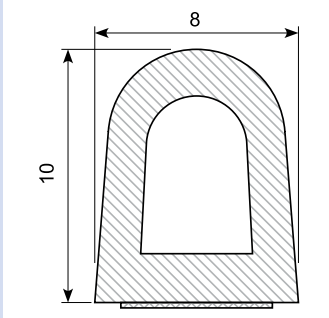
30.9884S *



Material: EPDM
Min. order: 3.000 m

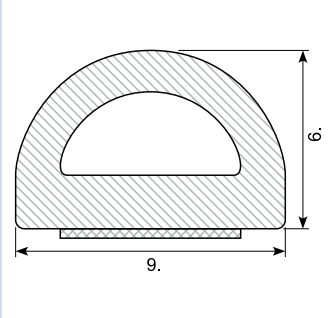
Svampegummi / Sponge rubber

36.730810



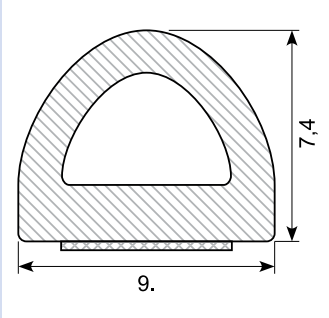
Material: EPDM
Density: 0,35 - 0,45
With adhesive

36.730906 - 36.730906H *



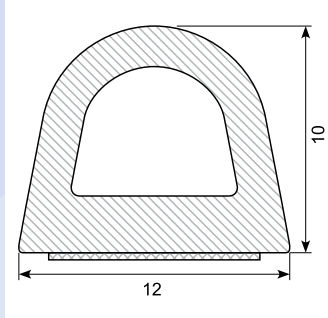
Material: EPDM white with adhesive
Density: 0,25 - 0,35

36.730907 - 36.730907G



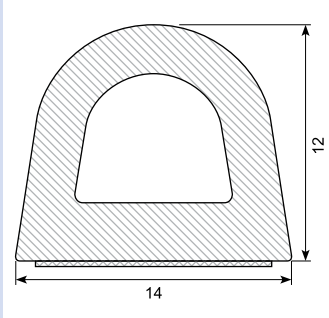
Material: EPDM black/grey with adhesive
Density: 0,25 - 0,35

36.731210 - 36.731210H



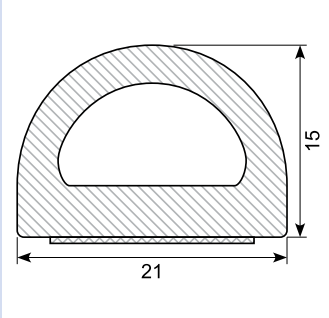
Material: EPDM with adhesive
Density: 0,25 - 0,35

36.731412D



Material: EPDM with adhesive
Density: 0,25 - 0,35

36.732115



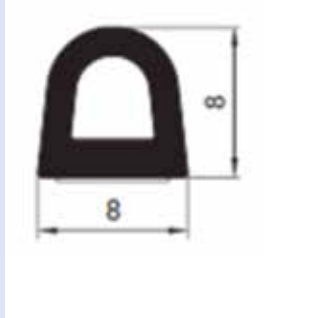
Material: EPDM with adhesive
Density: 0,45 - 0,55

36.730805H

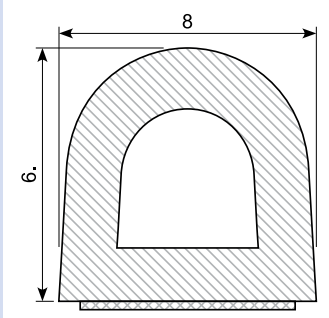


Material: Hvid

36.730808

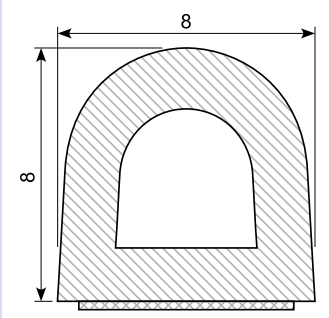


36.9086S



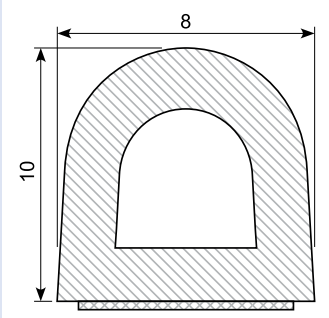
Material: EPDM black with adhesive

36.9088S



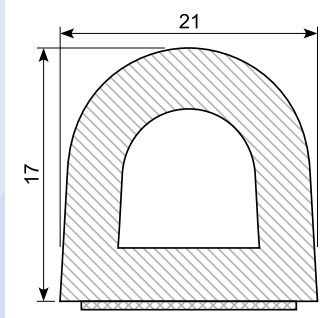
Material: EPDM black with adhesive

36.90810



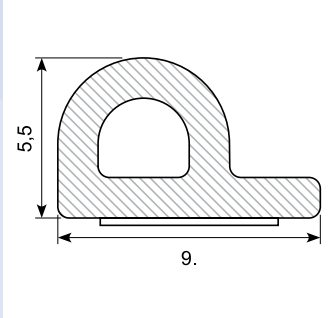
Material: EPDM black with adhesive

36.92117



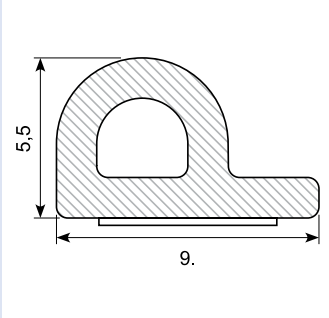
Material: EPDM black with adhesive

36.730955



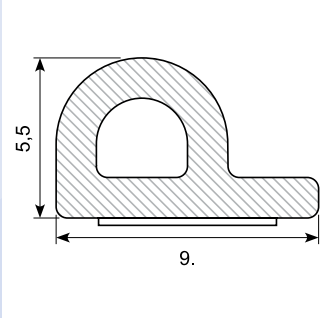
Material: EPDM black with adhesive
Density: 0,25 - 0,35

36.730955G/36.730955H/36.730955B



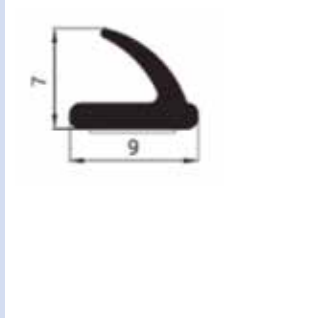
Material: grå/hvid/brun
Density: 0,25 - 0,35

36.80955S



Material: EPDM black with adhesive

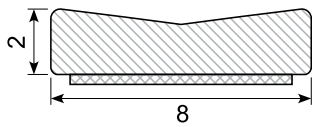
36.740907



Material: Hvid

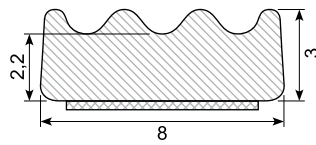
Glasbånd / Window seals

36.720802



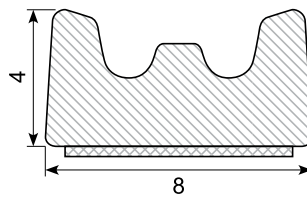
Material: EPDM black
Density: 0,35 - 0,45
With adhesive

36.720803



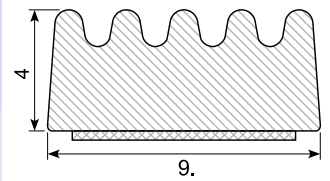
Material: EPDM black
Density: 0,35 - 0,45
With adhesive

36.720804



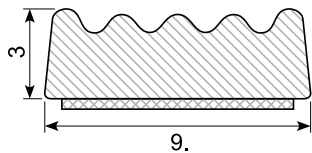
Material: EPDM black
Density: 0,35 - 0,45
With adhesive

36.720904



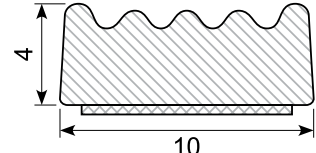
Material: EPDM black
Density: 0,35 - 0,45
With adhesive

36.720903



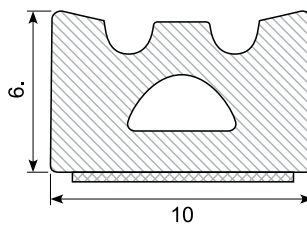
Material: EPDM black
Density: 0,35 - 0,45
With adhesive

36.721004



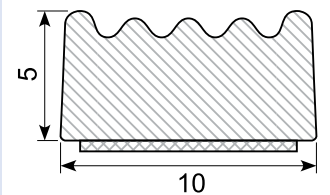
Material: EPDM black
Density: 0,35 - 0,45
With adhesive

36.721006



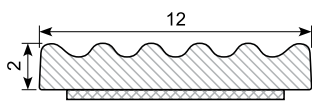
Material: EPDM black
Density: 0,35 - 0,45
With adhesive

36.721005



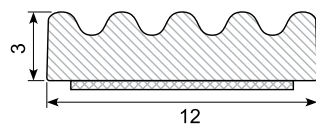
Material: EPDM black
Density: 0,35 - 0,45
With adhesive

36.721202



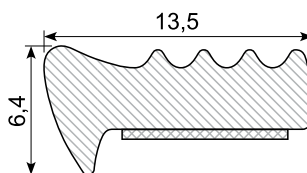
Material: EPDM black
Density: 0,35 - 0,45
With adhesive

36.721203



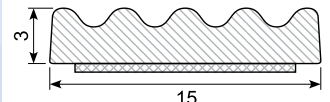
Material: EPDM black
Density: 0,35 - 0,45
With adhesive

36.7213564



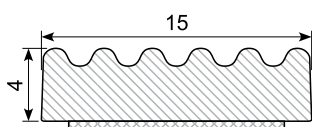
Material: EPDM black
Density: 0,35 - 0,45
With adhesive

36.721503



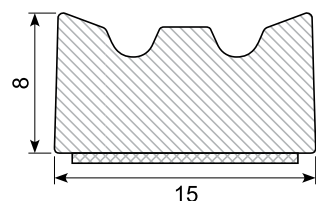
Material: EPDM black
Density: 0,35 - 0,45
With adhesive

36.721504



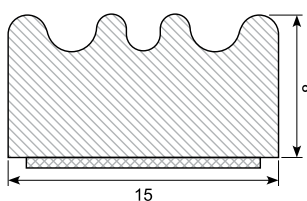
Material: EPDM black
Density: 0,35 - 0,45
With adhesive

36.721508



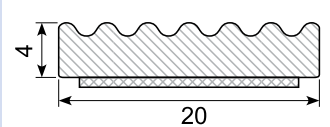
Material: EPDM black
Density: 0,35 - 0,45
With adhesive

36.721508B



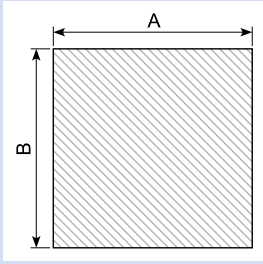
Material: EPDM black
Density: 0,25 - 0,35
With adhesive

36.722004



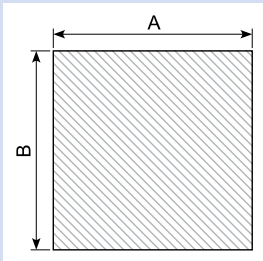
Material: EPDM black
Density: 0,35 - 0,45
With adhesive

Cellegummi / Cellular rubber



Material: EPDM black
with adhesive
Hardness: SH 25
density 0,14

| Art. | A x B (mm) | Art. | A x B (mm) | Art. | A x B (mm) | Art. | A x B (mm) |
|------------|------------|------------|------------|------------|------------|------------|------------|
| 36.60403 * | 4 x 3 | 36.61005 | 10 x 5 | 36.61530 * | 15 x 30 | 36.63005 | 30 x 5 |
| 36.60404 | 4 x 4 | 36.61008 | 10 x 8 | 36.61603 | 16 x 3 | 36.63010 | 30 x 10 |
| 36.60405 | 4 x 5 | 36.61010 | 10 x 10 | 36.61710 * | 17 x 10 | 36.63012 | 30 x 12 |
| 36.60503 | 5 x 3 | 36.61203 | 12 x 3 | 36.61808 * | 18 x 8 | 36.64003 | 40 x 3 |
| 36.60505 | 5 x 5 | 36.61204 * | 12 x 4 | 36.62002 | 20 x 2 | 36.64005 * | 40 x 5 |
| 36.60605 * | 6 x 5 | 36.61205 | 12 x 5 | 36.62003 | 20 x 3 | 36.64010 | 40 x 10 |
| 36.60802 | 8 x 2 | 36.61310 * | 13 x 10 | 36.62004 | 20 x 4 | 36.64015 | 40 x 15 |
| 36.60803 | 8 x 3 | 36.61502 * | 15 x 2 | 36.62005 | 20 x 5 | 36.65003 | 50 x 3 |
| 36.60804 | 8 x 4 | 36.61503 | 15 x 3 | 36.62008 | 20 x 8 | 36.65010 | 50 x 10 |
| 36.60805 * | 8 x 5 | 36.61505 | 15 x 5 | 36.62010 | 20 x 10 | 36.66004 * | 60 x 4 |
| 36.60808 | 8 x 8 | 36.61506 | 15 x 6 | 36.62305 * | 23 x 5 | 36.66004X | 60 x 4 |
| 36.61001 | 10 x 1 | 36.61508 | 15 x 8 | 36.62502 | 25 x 2 | 36.67502 * | 75 x 2 |
| 36.61002 | 10 x 2 | 36.61510 | 15 x 10 | 36.62506 | 25 x 6 | | |
| 36.61003 | 10 x 3 | 36.61512 | 15 x 12 | 36.62510 | 25 x 10 | | |
| 36.61004 | 10 x 4 | 36.61518 | 15 x 18 | 36.62525 * | 25 x 25 | | |



Material: CR, with
standard
adhesive.
CR-5952 tape
without glass-
fiber
Hardness: SH 25
density 0,14

| Art. | A x B (mm) | Art. | A x B (mm) | Art. | A x B (mm) |
|--------------|------------|-------------------|------------|-------------------|------------|
| 36.60802CR | 8 x 2 | 36.62004CR * | 20 x 4 | 36.64005CR * | 40 x 5 |
| 36.60804CR | 8 x 4 | 36.2005CR * | 20 x 5 | 36.65005CR * | 50 x 5 |
| 36.60808CR * | 8 x 8 | 36.2502CR * | 25 x 2 | 36.65005CR-5952 * | 50 x 5 |
| 36.61003CR * | 10 x 3 | 36.63005CR-5952 * | 30 x 5 | 36.65007CR * | 50 x 7 |
| 36.61010CR * | 10 x 10 | 36.63030CR | 30 x 30 | 36.68005CR * | 80 x 5 |
| 36.61609CR * | 16 x 9 | 36.63204CR * | 32 x 4 | 36.68005CR-5952 * | 80 x 5 |

Cellular rubber plates no adhesive

Material: EPDM
Color: Black

| Art. | Length (mm) | Thickness (mm) | Width (mm) | Quality |
|----------|-------------|----------------|------------|---------|
| 38.188 * | 1.000 | 40 | 2.000 | EPDM |
| 38.189 * | 1.000 | 50 | 2.000 | EPDM |

Cellular rubber plates with adhesive

Material: EPDM
Color: Black

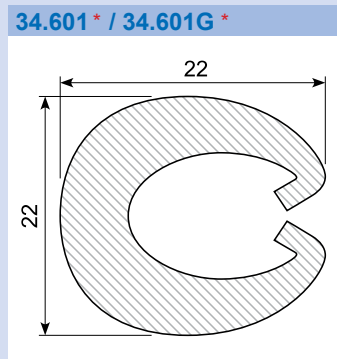
| Art. | Length (mm) | Thickness (mm) | Width (mm) | Quality |
|-------------|-------------|----------------|------------|---------|
| 38.160E/K | 1.000 | 10 | 2.000 | EPDM |
| 38.170E/K * | 1.000 | 20 | 2.000 | EPDM |
| 38.175E/K * | 1.000 | 25 | 2.000 | EPDM |

Cellular rubber plates

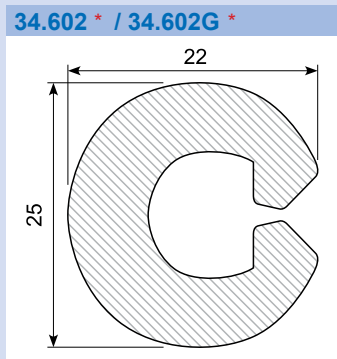
Material: CR
Color: Black

| Art. | Length (mm) | Thickness (mm) | Width (mm) | Quality |
|----------|-------------|----------------|------------|---------|
| 38.190 * | 1.000 | 10 | 1.400 | CR |
| 38.191 * | 1.000 | 15 | 1.400 | CR |

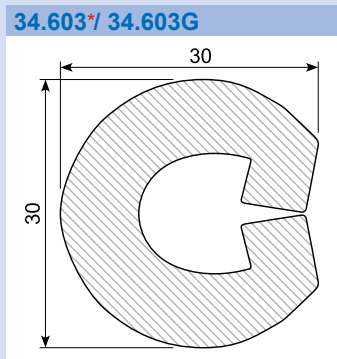
Fenderlister / Fender lists



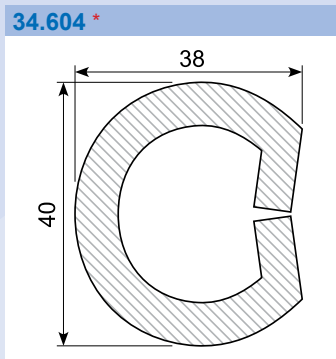
Material: PVC black
 Min. order: 5 m
 34.601G* PVC grey
 Min. order: 50-500m



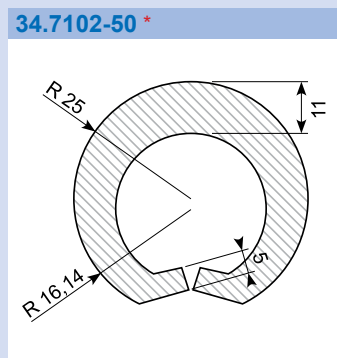
Material: PVC black
 Min. order: 5 m
 34.602G* PVC grey
 Min. order: 50 m



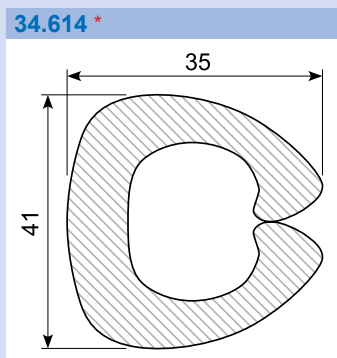
Material: PVC black
 34.603G Grey



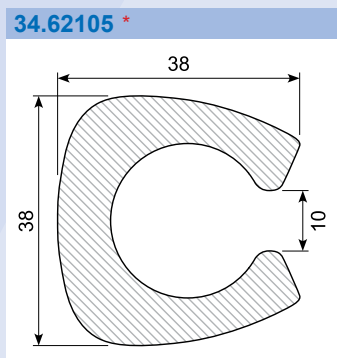
Material: PVC black
 Min. order: 50 m



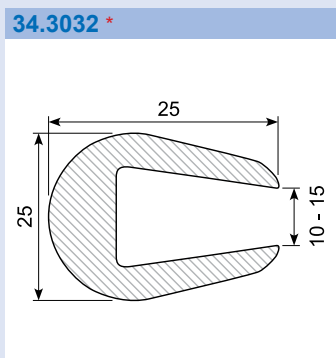
Material: PVC black
 Min. order: 5 m



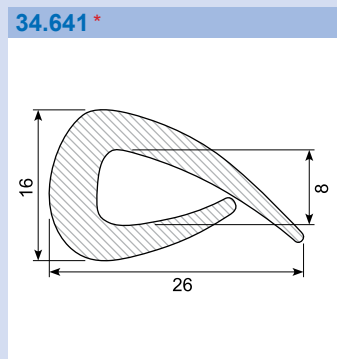
Material: PVC black
 Min. order: 50 m



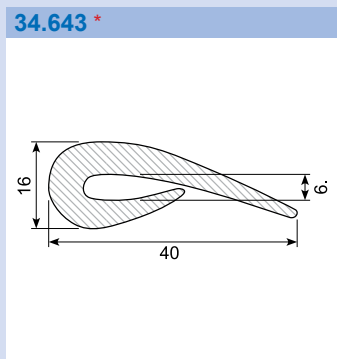
Material: EPDM black
 Min. order: 5 m



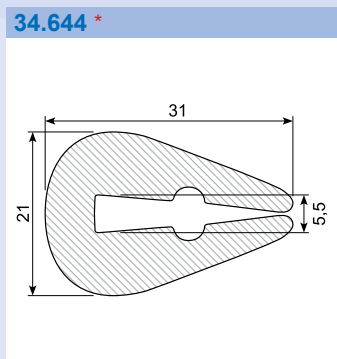
Material: PVC black
 Min. order: 51 m



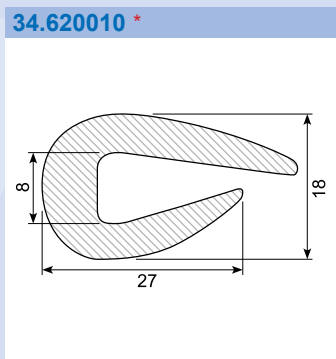
Material: PVC black
 Min. order: 5 m



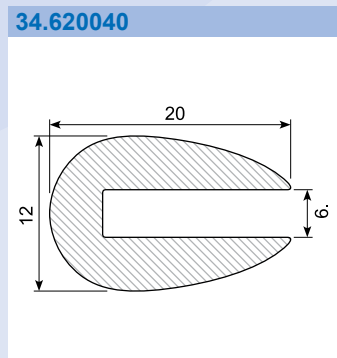
Material: PVC black
 Min. order: 50 m



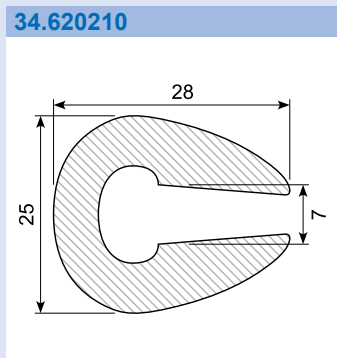
Material: PVC black
 Min. order: 50 m



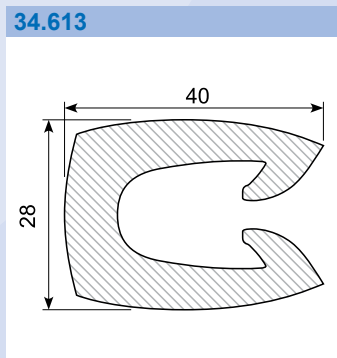
Material: PVC black
 Min. order: 5 m



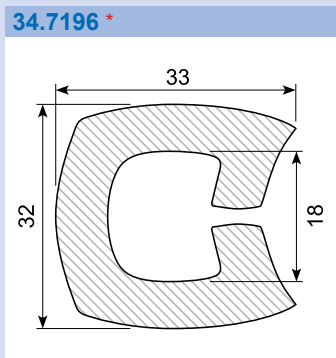
Material: PVC black
 Min. order: 5 m



Material: PVC black
 Min. order: 5 m

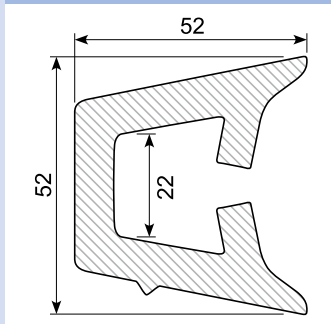


Material: PVC black



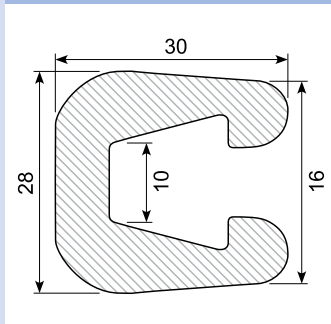
Material: PVC black
 Min. order: 20 m

34.7199 *



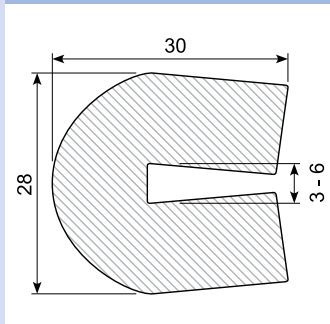
Material: PVC black
Min. order: 25 m

34.620140 *



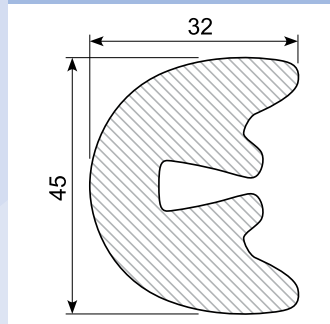
Material: PVC black
Min. order: 5 m

34.3011 *



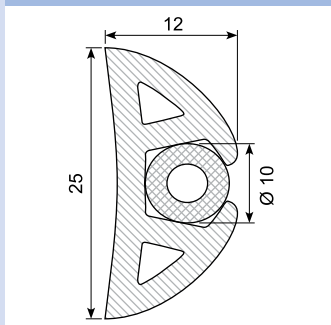
Material: PVC black

34.62110 *



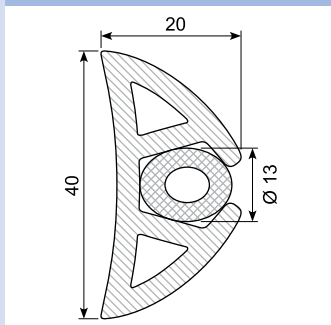
Material: PVC black
Min. order: 5 m

34.62039 *



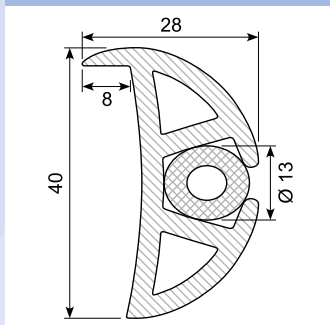
Material: PVC black
Min. order: 5 m

34.62040



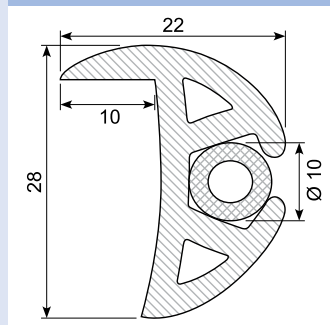
Material: PVC black

34.620420 *



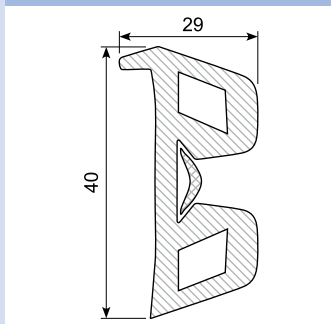
Material: PVC black
Min. order: 5 m

34.62041



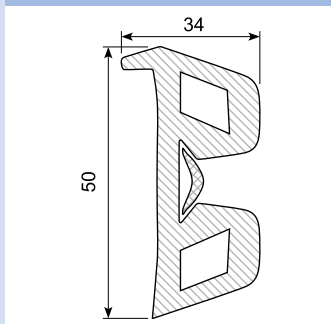
Material: PVC black

34.624 *



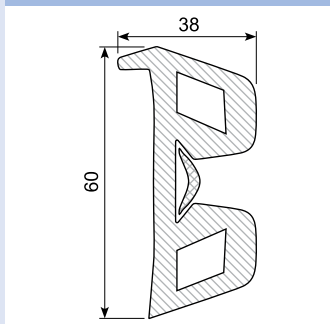
Material: PVC black
Min. order: 50 m

34.625 *



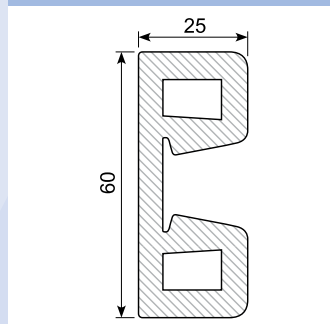
Material: PVC black
Min. order: 5 m

34.626 *



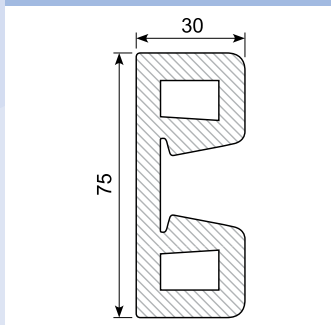
Material: PVC black
Min. order: 5 m

34.636



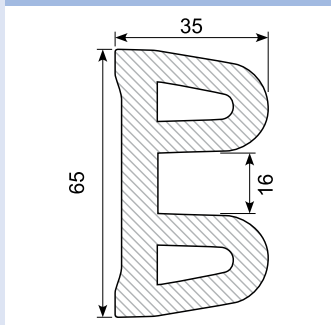
Material: PVC black

34.637 *



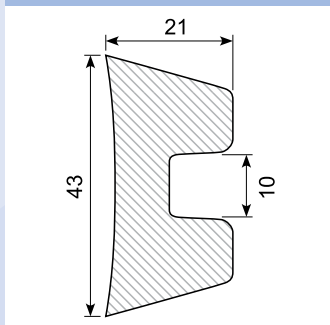
Material: PVC black
Min. order: 20 m

34.3020



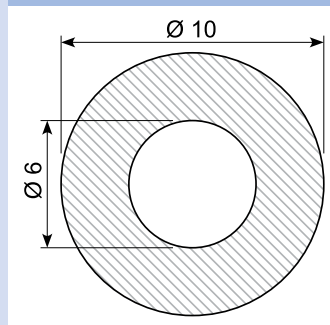
Material: PVC black

34.7514 *



Material: PVC black
Min. order: 5 m

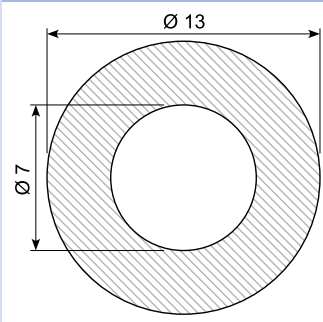
34.62610S *



Material: PVC black
Min. order: 5 m

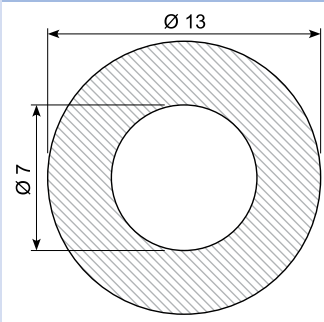
Fenderlister / Fender lists

34.62713H *



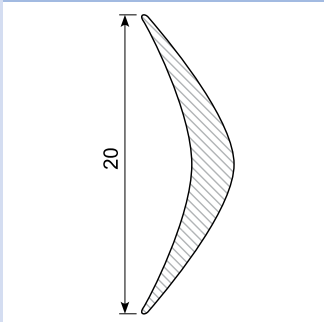
Material: PVC white
Min. order: 5 m

34.62713S



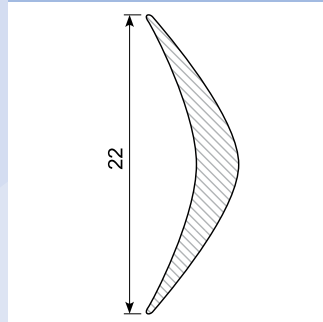
Material: PVC black
Min. order: 5 m

34.677



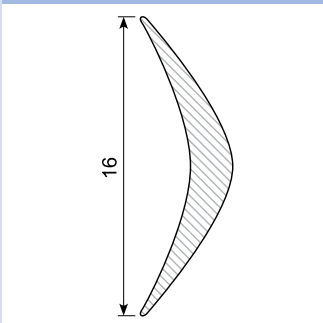
Material: PVC white

34.678 *



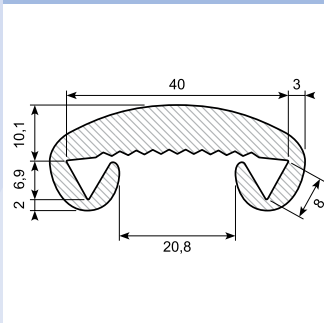
Material: PVC white
Min. order: 5 m

34.676S *



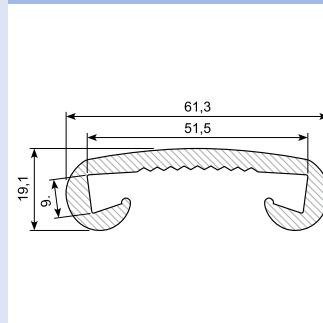
Material: PVC black for 34.624
and 34.7106
Min. order: 300 m

34.608X



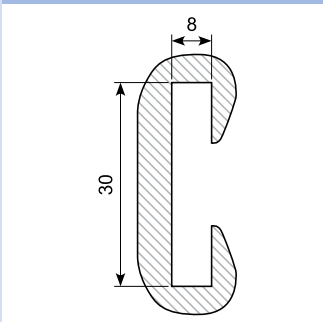
Material: PVC black

34.609X



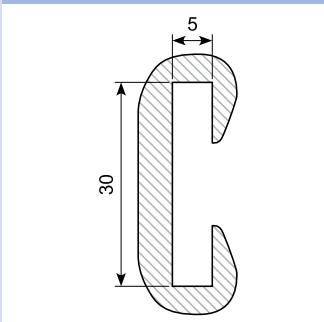
Material: PVC black

34.606 *



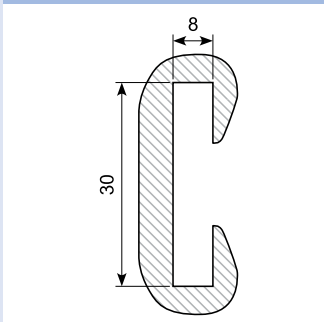
Material: PVC black
Min. order: 500 m

34.607 *



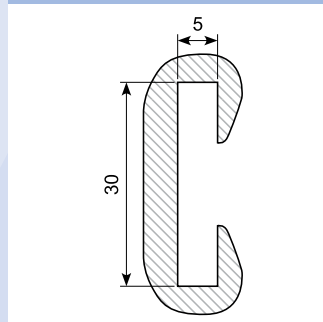
Material: PVC black
Min. order: 100 m

34.606X *



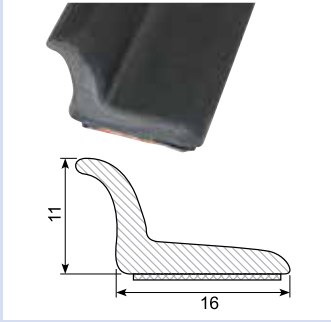
Material: PVC black
Min. order: 500 m

34.607X *



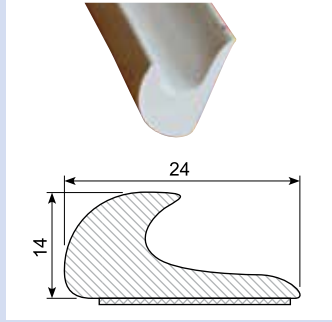
Material: PVC black
Min. order: 500 m

45.206AL



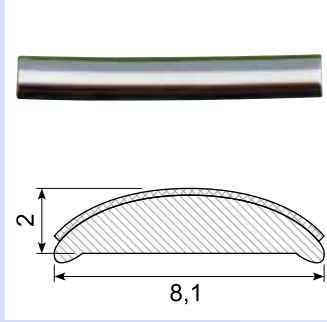
Material: PVC gutter with adhesive
Length: 2 m

45.224



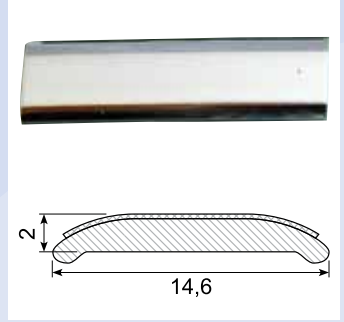
Material: PVC white gutter with adhesive
Length: 25 m

45.217C *



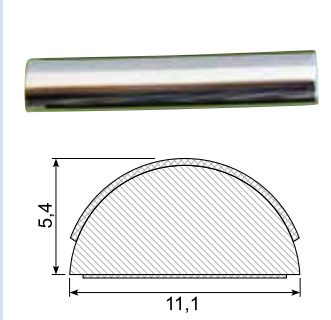
Material: PVC chrome with adhesive
Length: 5 m

45.221C *



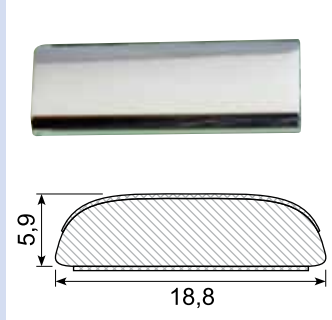
Material: PVC chrome with adhesive
Length: 5 m

45.347C *



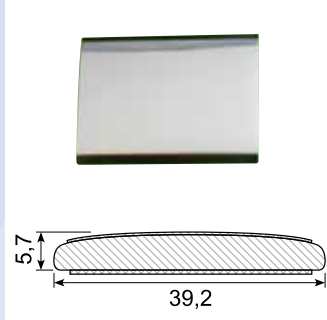
Material: PVC chrome with adhesive
Length: 5 m

45.884C *



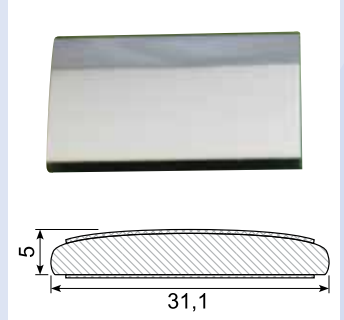
Material: PVC chrome with adhesive
Length: 5 m

45.383C *



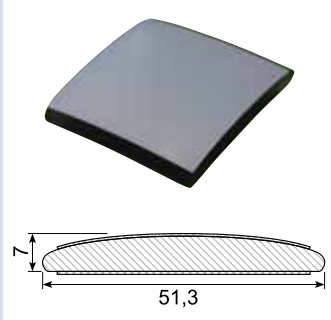
Material: PVC chrome with adhesive
Length: 5 m

45.388C *



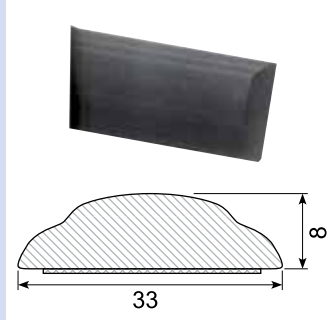
Material: PVC chrome with adhesive
Length: 5 m

45.705C *



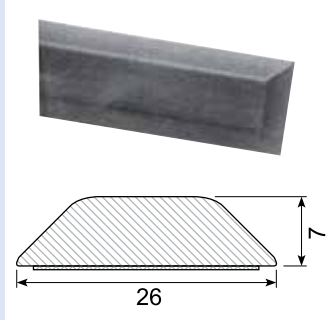
Material: PVC chrome with adhesive
Length: 5 m

45.832



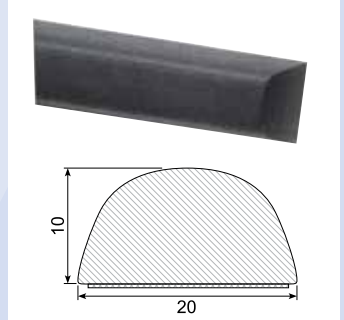
Material: PVC with adhesive
Length: 25 m

45.836



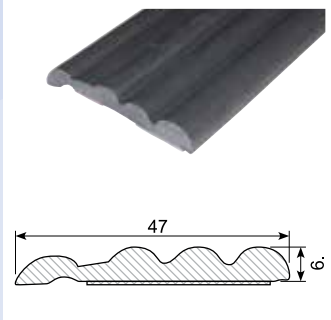
Material: PVC with adhesive
Length: 25 m

45.837



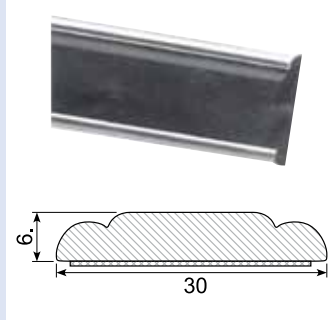
Material: PVC with adhesive
Length: 25 m
Hardness: SH 74 - 76
Density: 1,32

45.839 *



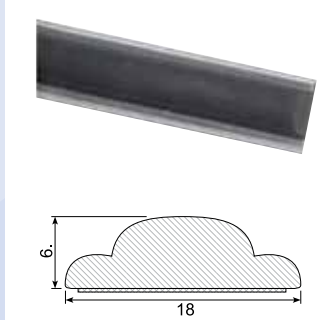
Material: PVC with adhesive
Length: 25 m
Min. order: 300 m

45.872



Material: PVC with adhesive
Length: 25 m

45.874



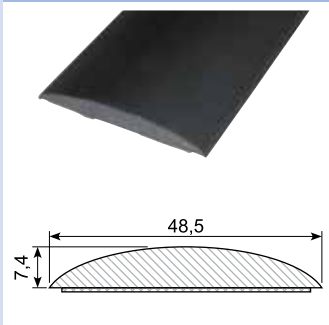
Material: PVC with adhesive
Length: 25 m

45.882



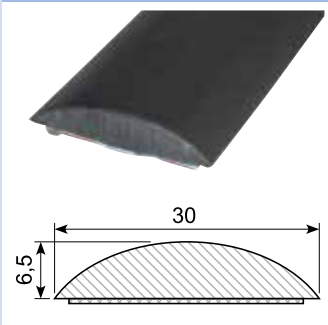
Material: PVC with adhesive
Length: 50 m

45.886 / 45.886G



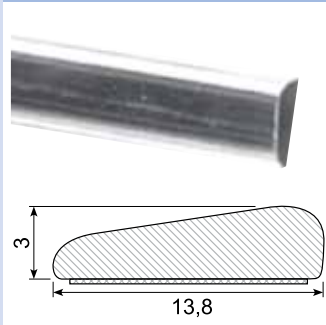
Material: PVC black with adhesive
 Length: 25 m
 45.886G: Grey

45.894 *



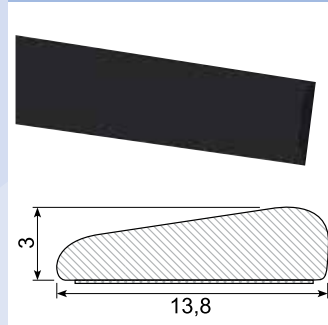
Material: PVC with adhesive
 Length: 25 m
 Min. order: 300 m

45.980A *



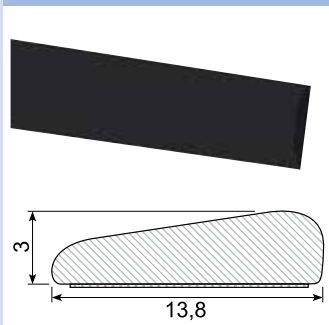
Material: PVC chrome with adhesive
 Length: 25 m
 Min. order: 500 m

45.980K *



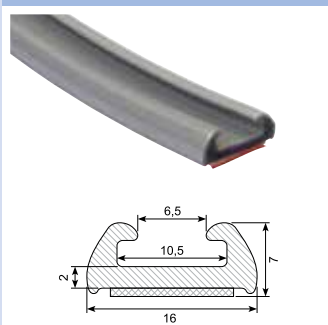
Material: PVC with adhesive
 Length: 340 mm
 Min. order: 1.400 pcs.
 Example fix lengths

45.980S *



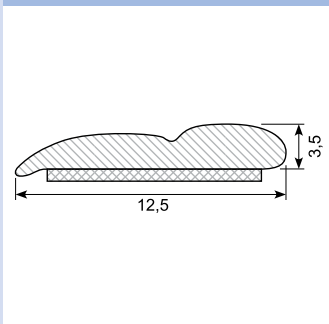
Length: 25 m
 Min. order: 500 m

45.102G



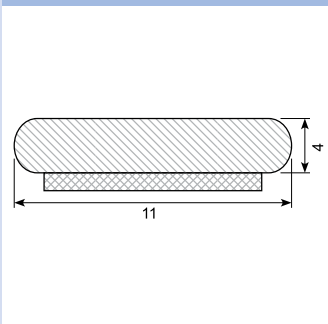
Length: 25 m

45.308C* / 45.308C-50 *



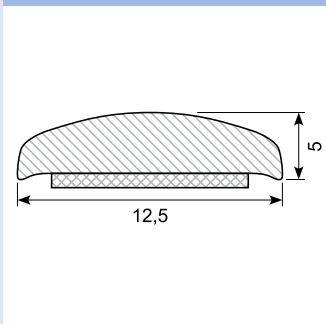
Material: PVC chrome
 Length: 5 m
 45.308C-50 (50 m)
 Min. order: 300 m

45.309C* / 45.309C-50 *

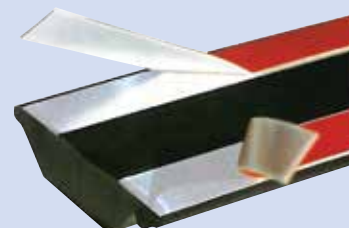
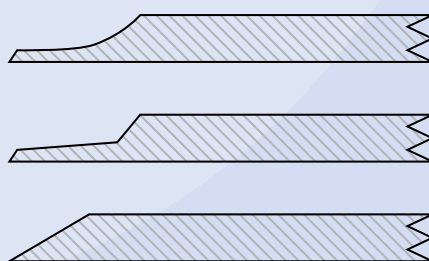


Material: PVC chrome
 Length: 5 m
 45.309C-50 (50 m)
 Min. order: 300 m

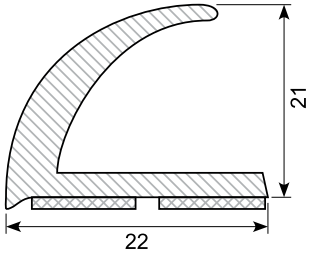
45.216C-50 *



Material: PVC chrome
 Length: 50 m
 Min. order: 300 m

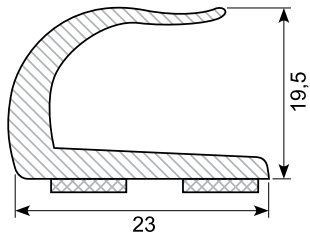


45.123 *



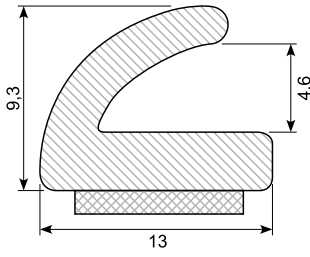
Material: PVC gutter with adhesive
 Length: 25 m
 Min. order: 300 m

45.393 *



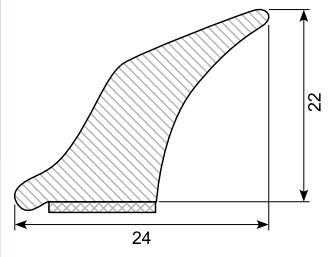
Material: PVC gutter with adhesive
 Length: 25 m
 Min. order: 300 m

45.394 *



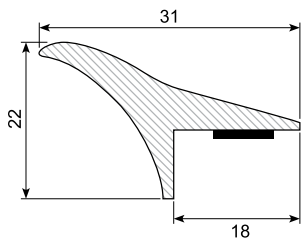
Material: PVC gutter with adhesive
 Length: 25 m
 Min. order: 300 m

45.901 *



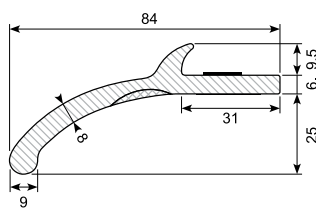
Material: PVC gutter with adhesive
 Length: 25 m
 Min. order: 300 m

45.2031024 *



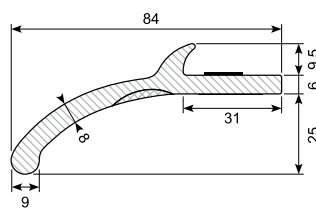
PVC universal wheel arch panel with adhesive. Set of 4 pcs.
 Length: 1,5 m

45.20511046 *



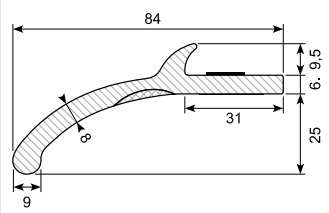
PVC universal wheel arch panel with adhesive. Coil.
 Color: Black
 Length: 6 m

45.20511091 *



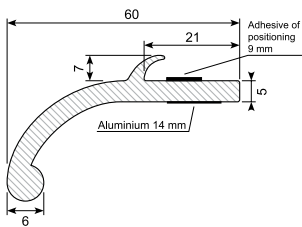
PVC universal wheel arch panel with adhesive. Set of 2 pcs.
 Length: 1,5 m

45.2051445 *



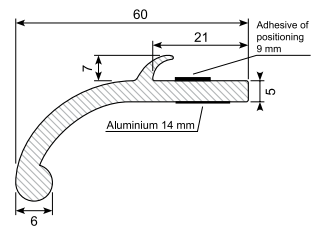
PVC universal wheel arch panel with adhesive. Coil.
 Length: 12,5 m

45.235N1057 *



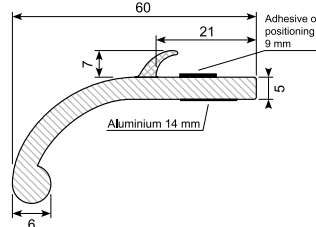
PVC universal wheel arch panel with adhesive. Coil.
 Color: Black
 Length: 6 m

45.235N429 *



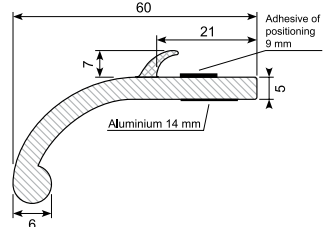
PVC universal wheel arch panel with adhesive. Coil.
 Color: Black
 Length: 12,5 m

45.235NG1057 *



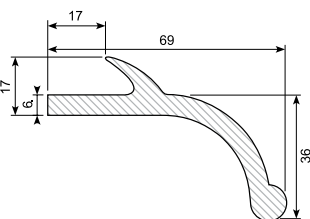
PVC universal wheel arch panel with adhesive. Coil.
 Color: Grey / black
 Length: 6 m

45.235NG429 *



PVC universal wheel arch panel with adhesive. Coil.
 Color: Grey / black
 Length: 12,5 m

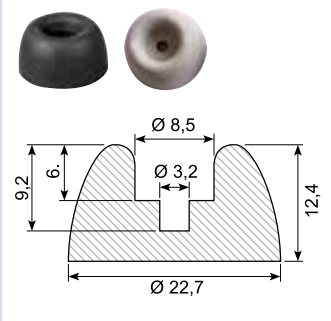
31.4281



Material: EPDM black
 Hardness: SH 85
 Length: 2,6 m

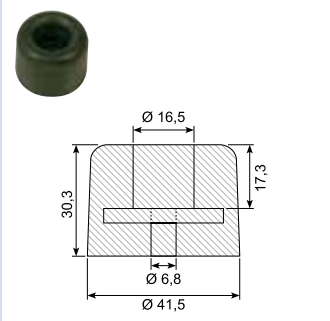
Gummibuffer / Rubber buffer

39.171J / 39.171G



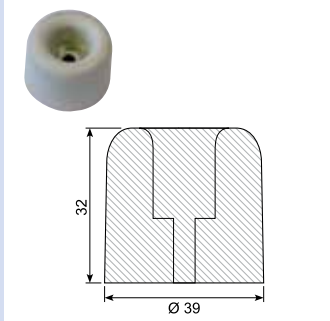
Material: Black
39.171G: Light grey

39.175J



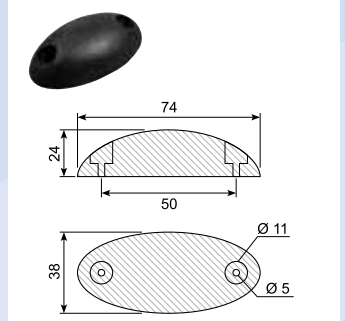
Material: NR black
Hardness: 78

39.175H *



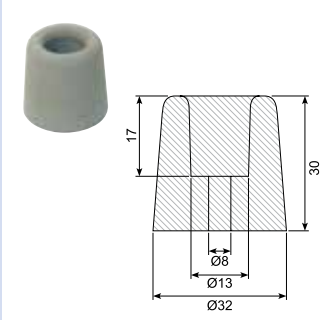
Min. order: 2.000 pcs.

39.632J



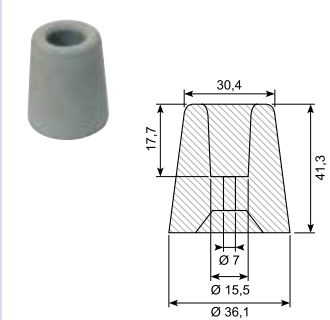
Material: Black

39.167G



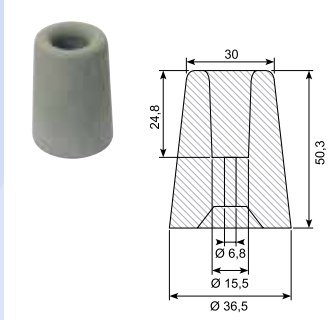
Grey rubber buffer

39.168G



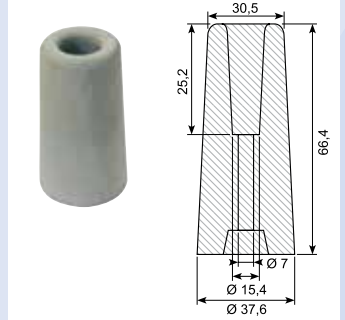
Grey rubber buffer

39.169G



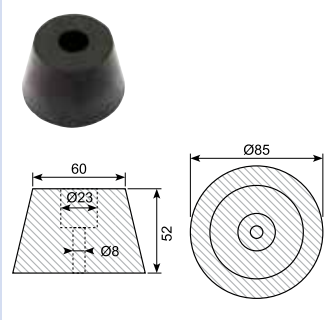
Grey rubber buffer

39.170G



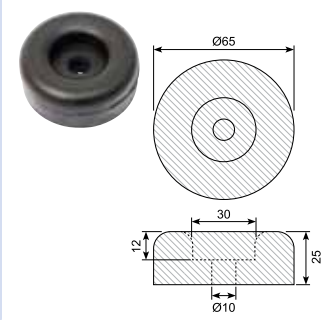
Grey rubber buffer

39.174



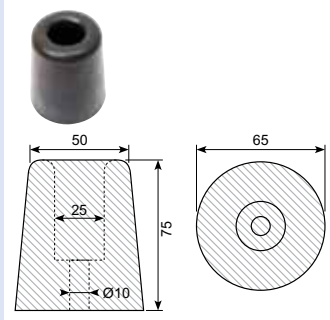
Material: NR / SBR black

39.177



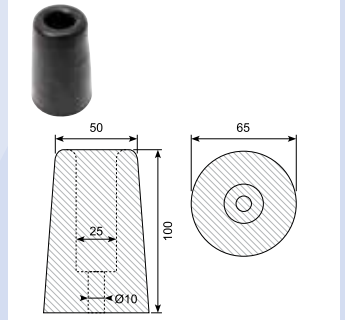
Material: NR / SBR black

39.178



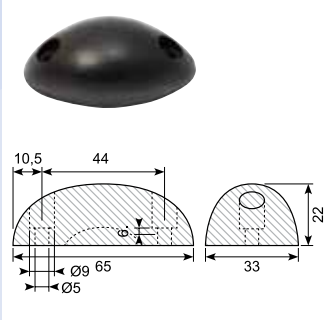
Material: NR / SBR black

39.179



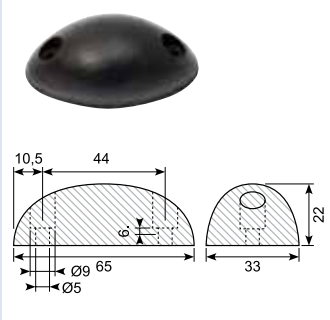
Material: NR / SBR black

39.632A



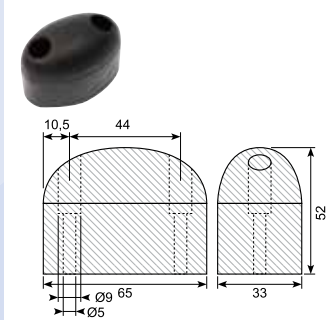
Material: NR / SBR black

39.632B



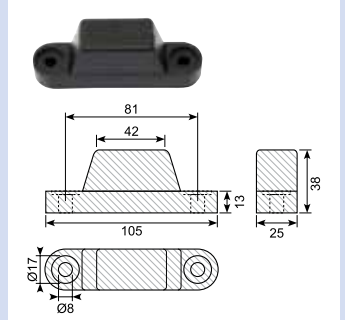
Material: NR / SBR black

39.632C



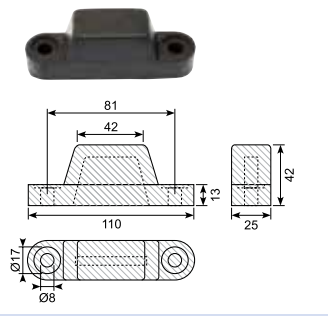
Material: NR / SBR black

39.172



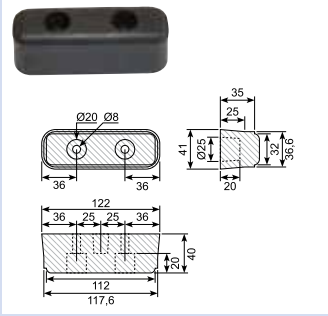
Material: NR / SBR black

39.173



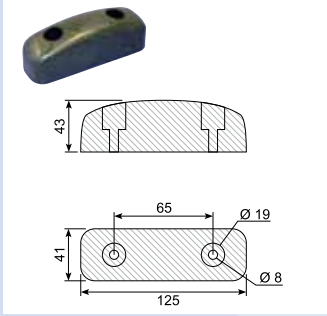
Material: NR / SBR black

39.626J



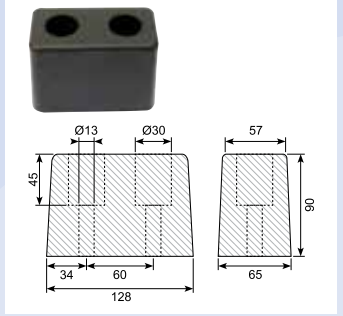
Material: NR black
Hardness: SH 85

39.637



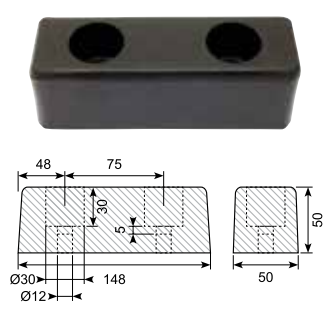
Vehicle bumper
Material: NR / SBR black

39.625



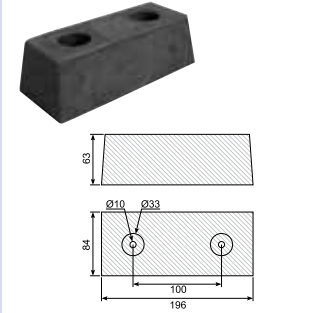
Material: NR / SBR

39.624



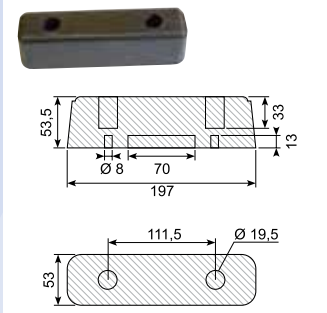
Material: NR / SBR black

39.623J



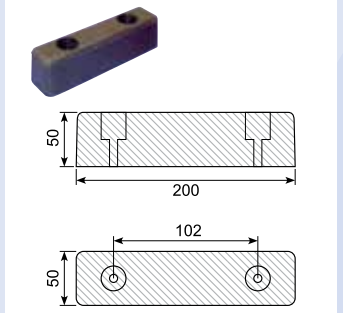
Rubber buffer, slightly conical
Material: NR

39.620J



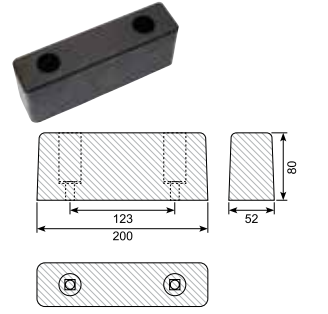
Rubber buffer with washers
Material: NR black
Hardness: SH 85

39.638



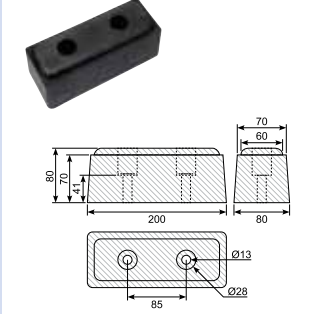
Vehicle bumper
Material: NR / SBR black

39.181061



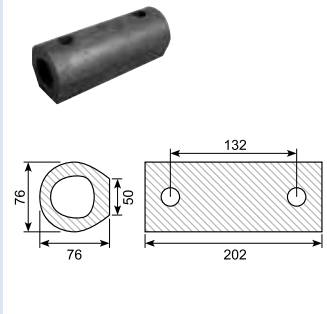
Material: NR / SBR
Weight: 1.050 g

39.181052



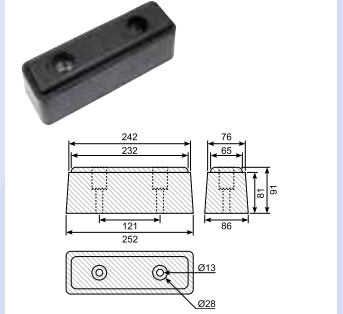
Material: NR / SBR
Weight: 1.370 g

39.627



Material: SBR black

39.181060



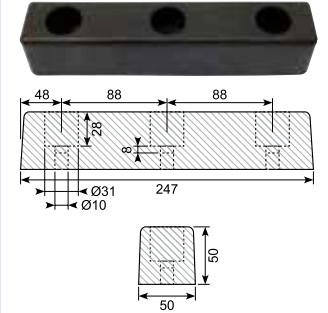
Material: NR / SBR
Weight: 1.370 g

39.360



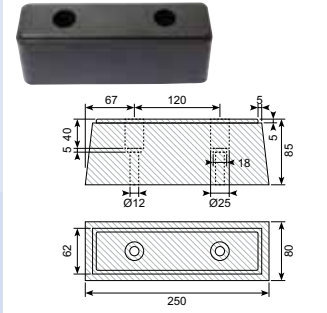
Material: NR / SBR black

39.628



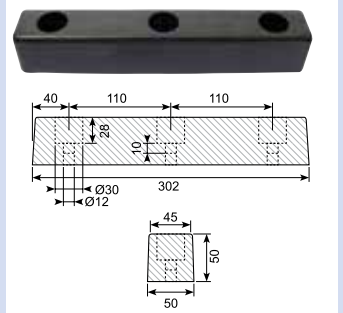
Material: NR / SBR

39.646



Material: NR / SBR black
Weight: 1.800 g

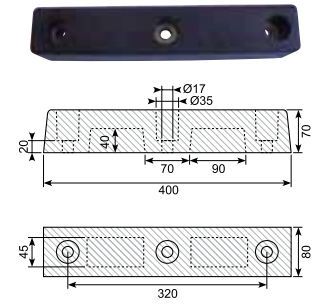
39.629



Material: NR / SBR black

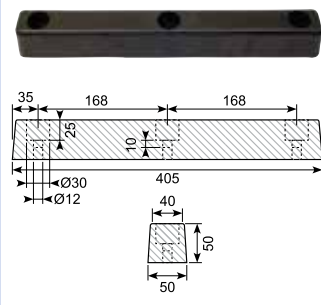
Gummibuffer / Rubber buffer

39.634



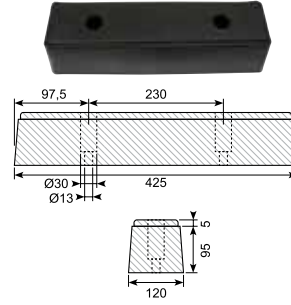
Buffer with steel washers and steel casing, 3 holes for 16 mm bolt.
Material: EPDM black

39.630



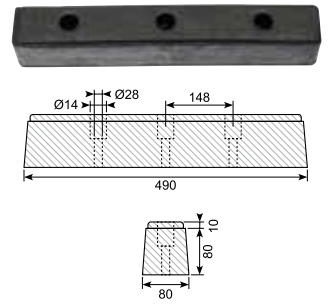
Material: NR / SBR black

39.634P



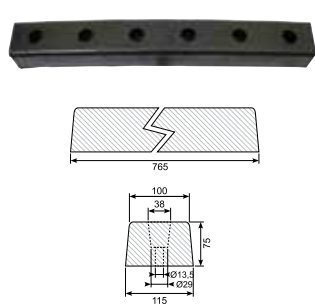
Material: NR / SBR black

39.647



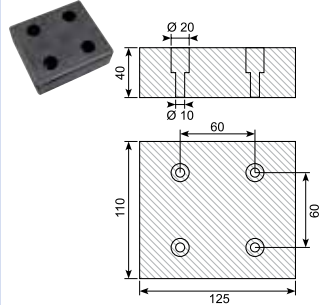
Material: NR / SBR black

39.650



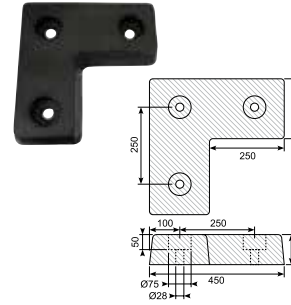
Material: NR / SBR black

39.631X



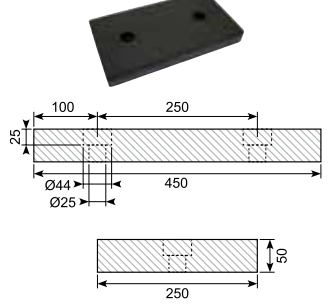
Material: SBR black
Hardness: SH 75

39.651A



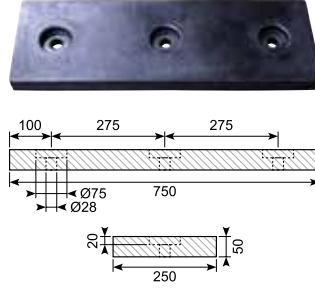
Material: NR / SBR
39.651: SBR + rayon

39.652



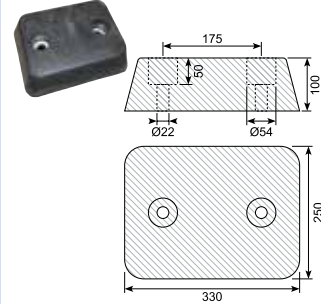
Material: NR / SBR black

39.653



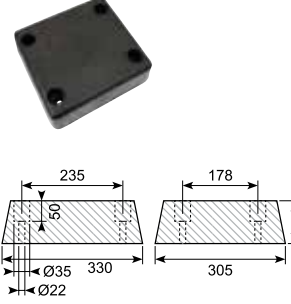
Material: NR / SBR black

39.644



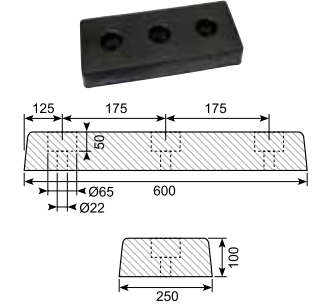
Material: SBR + rayon
39.644A: NR / SBR *

39.631A



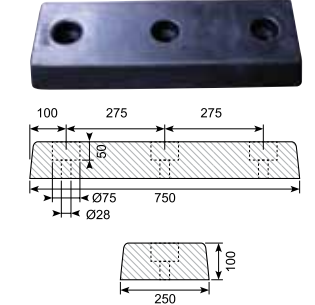
Material: NR / SBR

39.648



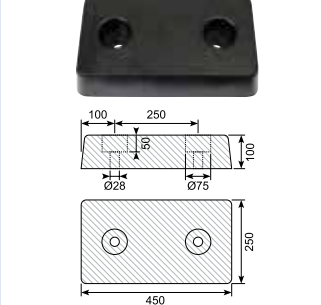
Material: NR / SBR black

39.649



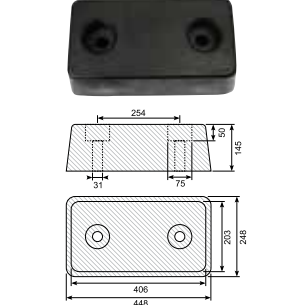
Material: NR / SBR black

39.642X



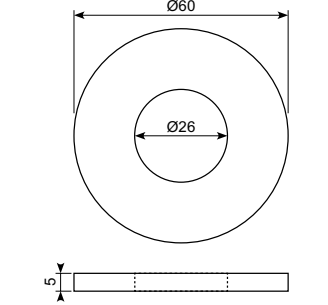
Material: NR / SBR (Economy)
39.642 SBR + rayon *

39.643X



Material: NR / SBR (Economy)

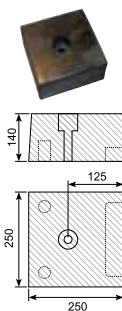
39.M24



M24 washer for rubber buffer

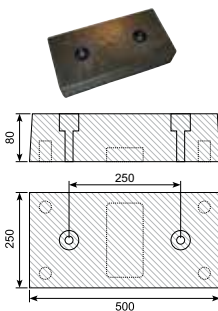
Gummibuffer / Rubber buffer

39.636H



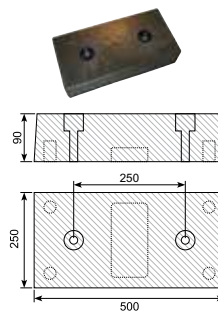
Buffer, vulcanized new rubber.

39.635X



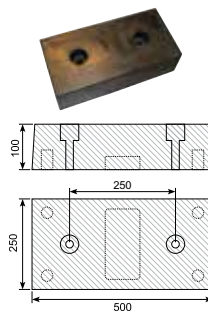
Buffer, vulcanized new rubber.

39.635



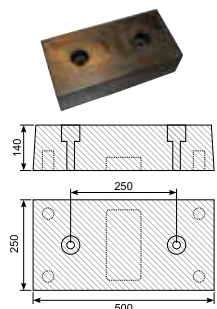
Buffer, vulcanized new rubber.

39.636X



Buffer, vulcanized new rubber.

39.636



Buffer, vulcanized new rubber.



Anslagsbuffere / tipper pads *
Material: Steel / rubber

| Art. | Size steel element (mm) | Size rubber element (mm) | Weight (kg) |
|--------|-------------------------|--------------------------|-------------|
| 39.658 | 150 x 40 x 5 | 100 x 40 x 25 | 0,34 |
| 39.656 | 152 x 88 x 6 | 100 x 86 x 22 | 0,75 |
| 39.657 | 355 x 75 x 3 | 290 x 74 x 27 | 1,35 |



Anslagsbuffere / tipper pads *
Material: Aluminium / rubber

| Art. | Size aluminium element (mm) | Size rubber element (mm) | Weight (kg) |
|----------|-----------------------------|--------------------------|-------------|
| 39.659 | 152 x 88 x 5 | 100 x 86 x 23 | 0,41 |
| 39.661 * | 180 x 75 x 5 | 115 x 75 x 29 | 0,41 |
| 39.660 * | 152 x 88 x 5 | 100 x 88 x 38 | 0,6 |
| 39.662 * | 180 x 75 x 5 | 150 x 75 x 40 | 0,6 |
| 39.663 * | 180 x 75 x 4 | 115 x 75 x 46 | 0,6 |
| 39.664 * | 190 x 115 x 6 | 120 x 112 x 14 - 20 | 0,6 |
| 39.665 * | 355 x 75 x 5 | 290 x 75 x 39 | 1,4 |

Gummibuffer / Rubber buffer

39.180



Material: SBR black
Hardness: SH 80
Rubber pad Ø120 for lift stabilizers. Internal Ø108 mm. Height 26 mm.

39.181 *



Material: SBR black
Hardness: SH 75
Rubber pad Ø120 for lift stabilizers. Internal Ø108 mm. Height 26 mm.

39.182



Material: SBR black
Hardness: SH 75
Rubber pad Ø145 for lift stabilizers. Internal Ø120 mm. Height 24 mm.

39.183



Material: TPE black
Hardness: SH 80
Rubber pad Ø145 for lift stabilizers. Internal height 26 mm.

39.188 *



Rubber pad for lift stabilizers
Material: SBR black
Hardness: SH 75
Size: Ø 160 x H 28 mm
Internal Ø 135 mm

39.183A *



Rubber pad for lift stabilizers
Material: SBR black
Hardness: SH 80
Size: Ø 100 x H 21 mm
Internal Ø 80 mm

39.183B *



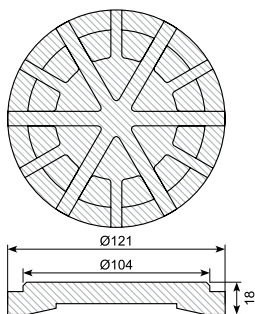
Rubber pad for lift stabilizers
Material: SBR black
Hardness: SH 80
Size: Ø 140 x H 25 mm
Internal Ø 103 mm

39.183C *



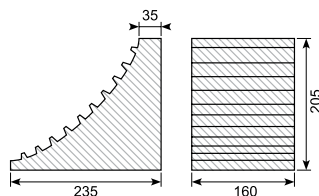
Rubber pad for lift stabilizers
Material: Black
Hardness: SH 80
Size: Ø 140 x H 25 mm
Internal Ø 74 / 60 mm

30.9906



Hardness: SH 80

52.CWC8



Chocks

39.184



Rubber pad for lift stabilizers
Material: SBR black
Hardness: SH 75
160 x 120 x 20 mm

39.186



Rubber pad for lift stabilizers
Material: SBR black
Hardness: SH 75
160 x 120 x 120 mm

39.187




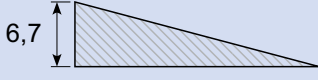

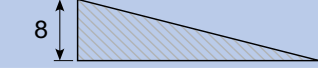

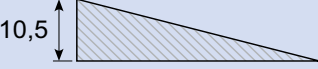

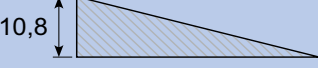

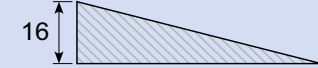



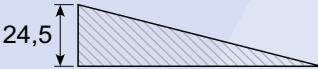


Rubber pad for lift stabilizers
Material: SBR black
Hardness: SH 75
180 x 60 x 100 mm

39.185



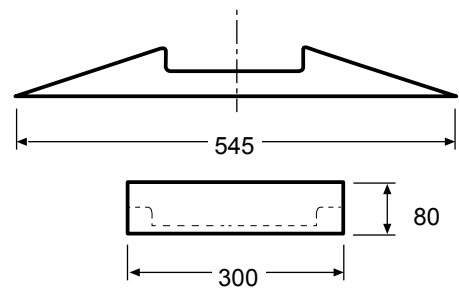
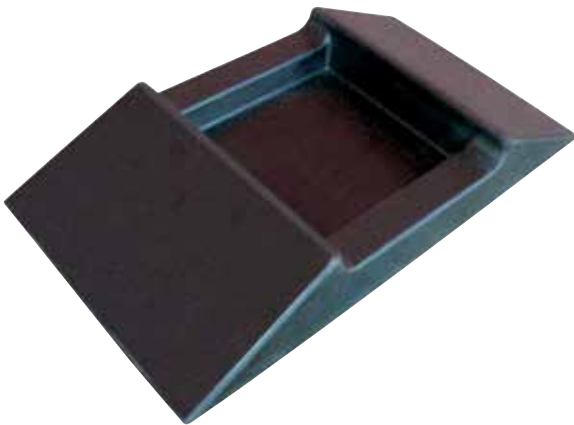
Rubber pad for lift stabilizers
Material: SBR black
Hardness: SH 75
160 x 120 x 35 mm

Gummibuffer / Rubber buffer

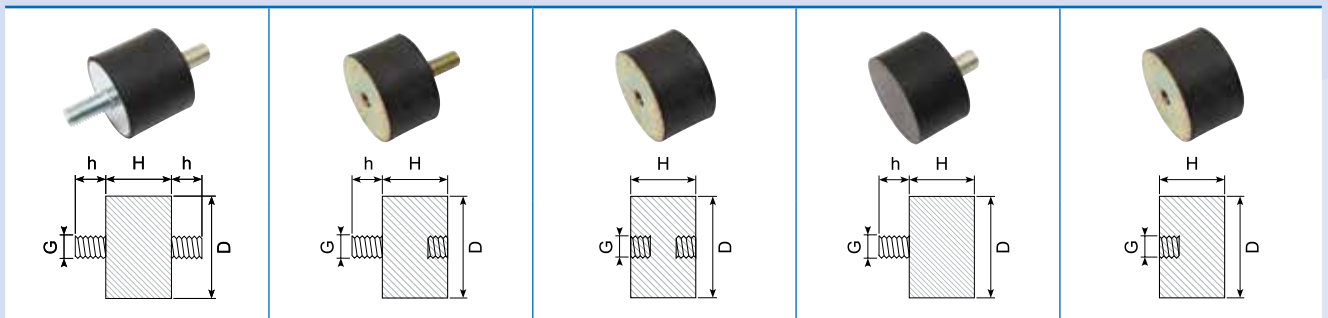
| Art. | Image | Measure |
|--------------|---|--|
| 30.13186-1 |  | 6,7  |
| 30.13186-2 |  | 8  |
| 30.13186-3 |  | 10,5  |
| 30.13186-4 |  | 10,8  |
| 30.13186-5 * |  | 16  |
| 30.13186-6 * |  | 21  |
| 30.13186-7 * |  | 24,5  |
| 30.13186-8 * |  | 31,3  |

Material: PVC grey

39.645



Vibrationsdæmpere / Vibration muffler



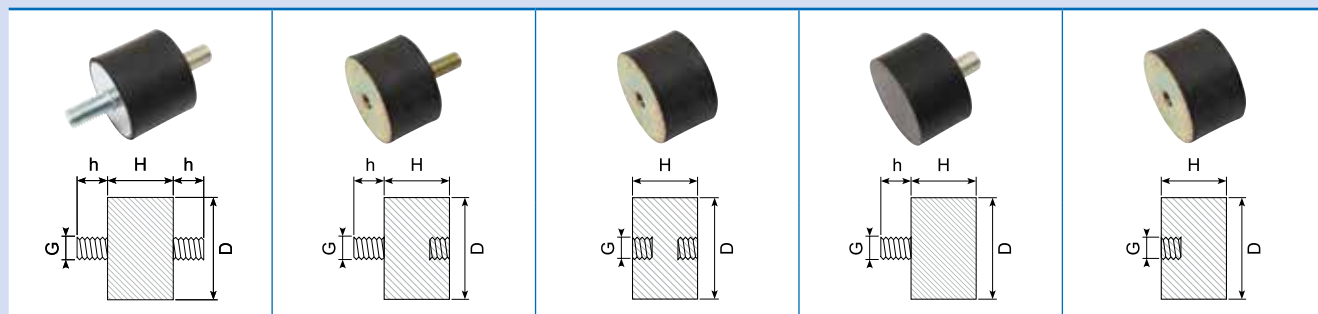
| D | H | Type M (1) | Type B (2) | Type C (3) | Type D (4) | Type E (5) |
|----|----|---|---|----------------|---|-------------------------------------|
| 6 | 7 | | | | | |
| 8 | 5 | | | | | |
| 8 | 8 | | | | | |
| 8 | 10 | | | | | |
| 9 | 12 | | | | | |
| 10 | 8 | | | | | |
| 10 | 10 | | | | 39.D10/10 | |
| 10 | 15 | | | | | |
| 10 | 17 | | | | | |
| 10 | 18 | | | | | |
| 10 | 30 | | | | | |
| 11 | 11 | | | | | |
| 12 | 10 | | | | | |
| 13 | 26 | | | | | |
| 15 | 4 | | | | | |
| 15 | 5 | | | | | |
| 15 | 6 | | | | | |
| 15 | 7 | | | | | |
| 15 | 8 | | | | | |
| 15 | 9 | | | | | |
| 15 | 10 | | | | 39.D15/10 (M5x15) 39.D15/10-M6 (M6x18) | |
| 15 | 12 | | | | | |
| 15 | 13 | | | | | |
| 15 | 15 | | | | 39.D15/15 (M5x15) 39.D15/15-M6 (M6x15) | |
| 15 | 20 | | | | | |
| 15 | 25 | | | | | |
| 15 | 30 | | | | | |
| 16 | 18 | | 39.B16/18 | | | |
| 18 | 10 | 39.M1810 | | | | |
| 20 | 5 | | | | | |
| 20 | 8 | | | | | |
| 20 | 10 | 39.M20/10-M6 (M6x18) 39.M20/10 (M8x18) | 39.B20/10-M6 (M6x18) 39.B20/10 (M8x18) | 39.C20/10 (M4) | | 39.E20/10-M6 (M6) 39.E20/10 (M8) |
| 20 | 11 | | | | | |
| 20 | 12 | | | | | |
| 20 | 13 | | | | | |
| 20 | 15 | 39.M2015 | 39.B20/15 (M8x18) | | 39.D20/15E | |
| 20 | 17 | | | | | |
| 20 | 20 | 39.M2020 39.M2020-M8 | 39.B2020 | 39.C20/20 | 39.D20/20 (M5x15) 39.D20/20-M6 (M6x18) | |
| 20 | 23 | | | | | |
| 20 | 25 | | | | | |
| 20 | 30 | | | | | |
| 25 | 8 | | | | | |
| 25 | 10 | | | 39.C25/10 (M4) | | 39.E25/10-M6 (M6) 39.E25/10 (M8) |
| 25 | 12 | | | | | |
| 25 | 13 | | 39.B2513 | | | |
| 25 | 14 | | | | | |

| G | h |
|----|---------------------------------------|
| M6 | 6, 8, 10, 12, 15, 18, 20, 23, 28 |
| M8 | 8, 10, 12, 15, 18, 20, 23, 25, 28, 33 |

| G | h |
|-----|--|
| M10 | 10, 12, 15, 18, 20, 23, 25, 28, 33, 38, 43 |
| M12 | 10, 12, 18, 20, 23, 25, 27, 33, 37, 42 |

Fåes i tre hårdheder: Shore 43, 55 og 68.
Også mulighed for rustfri gevind.
Available in three hardnesses: SH 43, 55 and 68.
Also option for stainless threads.

Vibrationsdæmpere / Vibration muffler



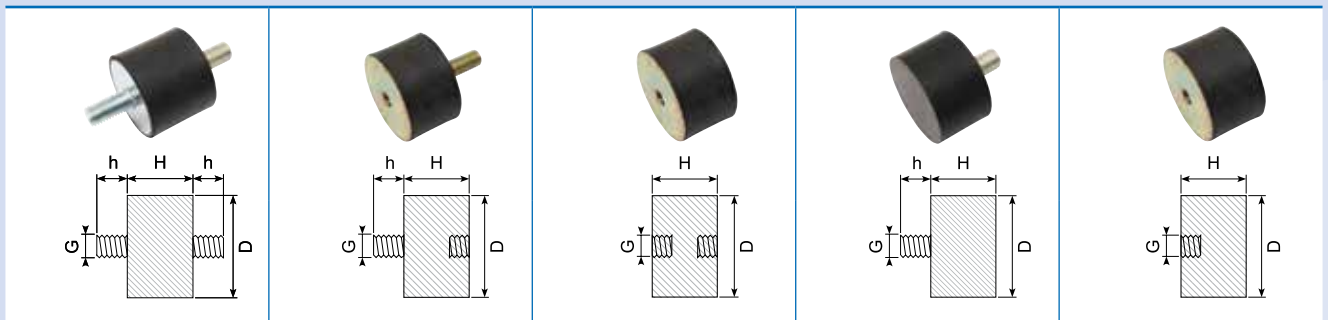
| D | H | Type M (1) | Type B (2) | Type C (3) | Type D (4) | Type E (5) |
|----|----|----------------------------------|---|---------------------|---|-------------------------------------|
| 25 | 15 | 39.M2515 | | 39.C25/15 | | |
| 25 | 17 | | | | | |
| 25 | 18 | | | | | |
| 25 | 19 | | | | | |
| 25 | 20 | 39.M2520 39.M2520-M6 | | | | |
| 25 | 22 | | | | | |
| 25 | 25 | | 39.B25/25 (M8x18) 39.B25/25-M6 (M6x18) | 39.C25/25-M6 | | |
| 25 | 27 | | | | | |
| 25 | 28 | | | | | |
| 25 | 30 | | | | | |
| 26 | 22 | | | | | |
| 30 | 8 | | | | | |
| 30 | 10 | 39.M30/10 (M8x23) | | | 39.D30/10 39.D30/10-M6 (M6x18) | |
| 30 | 12 | | | | | |
| 30 | 13 | | | | | |
| 30 | 15 | 39.M3015-M8x12 39.M3015-M8x15 | | | 39.D30/15 39.D30/15-M6 (M6x18) | 39.E30/15-M6 (M6) 39.E30/15 (M8) |
| 30 | 17 | | | | | |
| 30 | 18 | | | | | |
| 30 | 20 | 39.M3020 39.M3020-55 | 39.B30/20 39.B30/20X | 39.C30/20 (M8) | 39.D30/20 39.D30/20-M6 | 39.E30/20-M6 (M6) 39.E30/20 (M8) |
| 30 | 22 | | | | | |
| 30 | 25 | | | | | |
| 30 | 30 | 39.M3030 39.M3030-SS | 39.B30/30 39.B30/30-M6 | 39.C30/30 | 39.D30/30 39.D30/30-M6 (M6x18) | 39.E30/30-M6 (M6) 39.E30/30 (M8) |
| 30 | 35 | | | | | 39.E30/35 |
| 30 | 40 | | | | | |
| 30 | 45 | | | | | |
| 40 | 10 | | | | | |
| 40 | 15 | | | | 39.D40/15 39.D40/15-M6 (M6x18) | 39.E40/15-SH43 |
| 40 | 20 | 39.M40/20 (M8x23) | 39.B40/20 (M8x23) | | 39.D40/20 (M8x18) 39.D40/20-M6 (M6x18) 39.D40/20-M10 (M10x20) 39.D40/20-A2 | 39.E40/20-M6 (M6) 39.E40/20 (M8) |
| 40 | 25 | 39.4025 | | 39.C40/25 (M8) | 39.D40/25-A2 | |
| 40 | 27 | | | | | |
| 40 | 28 | | | | | |
| 40 | 30 | 39.M4030 | 39.B40/30 (M8x23) | 39.C40/30 | 39.D40/30-A2 39.D40/30 39.D40/30-M8 (M8x18) | 39.E40/30 (M8) |
| 40 | 35 | | 39.B40/35 (M8x23) | | 39.D40/35-A2 39.D40/35 (M10x20) | |
| 40 | 38 | 39.M4038 | | 39.C40/40 (M8) | | |
| 40 | 40 | 39.M40/40 (M10x28) | | 39.C40/40-M10 (M10) | 39.D40/40-A2 39.D40/40 (M10x20) | |
| 40 | 45 | | | | 39.D40/45-A2 | |
| 40 | 60 | | | | | |

| G | h |
|----|---------------------------------------|
| M6 | 6, 8, 10, 12, 15, 18, 20, 23, 28 |
| M8 | 8, 10, 12, 15, 18, 20, 23, 25, 28, 33 |

| G | h |
|-----|--|
| M10 | 10, 12, 15, 18, 20, 23, 25, 28, 33, 38, 43 |
| M12 | 10, 12, 18, 20, 23, 25, 27, 33, 37, 42 |

Fåes i tre hårdheder: Shore 43, 55 og 68.
Også mulighed for rustfri gevind.
Available in three hardnesses: SH 43, 55 and 68.
Also option for stainless threads.

Vibrationsdæmpere / Vibration muffler



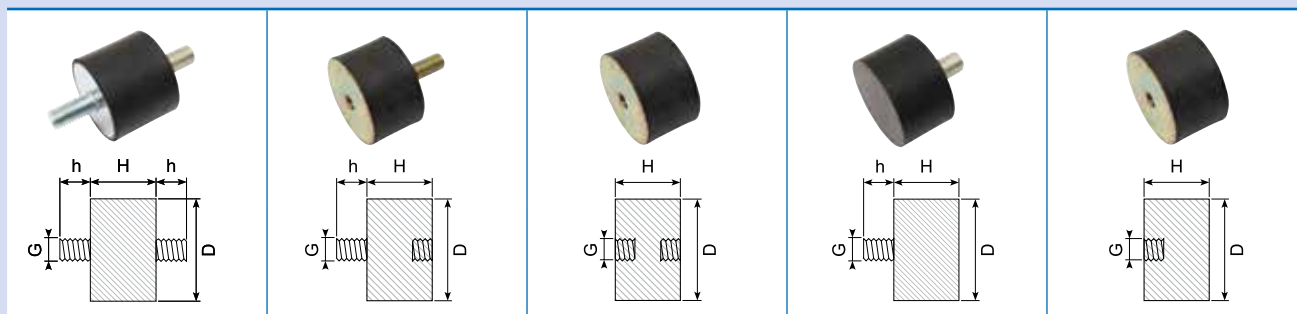
| D | H | Type M (1) | Type B (2) | Type C (3) | Type D (4) | Type E (5) |
|----|----|------------|------------------------|---|--|--|
| 50 | 7 | | | | | |
| 50 | 9 | | | | | |
| 50 | 12 | | | | | |
| 50 | 15 | | | | | |
| 50 | 17 | | | | | |
| 50 | 20 | | | 39.C50/20 (M10) | 39.D50/20 39.D50/20-M12 (M12x23) | 39.E50/20 (M8) 39.E50/20-M10 (M10) 39.E50/20-M12 (M12) |
| 50 | 21 | | 39.B50/21 | | | |
| 50 | 25 | 39.M5025 | | 39.C50/25 (M10) | 39.D50/25 (M10x20) 39.D50/25-M12 (M12x23) | 39.E50/25 (M10) 39.E50/25-M12 (M12) |
| 50 | 27 | | | | | |
| 50 | 28 | | | | | |
| 50 | 30 | 39.M5030 | 39.B50/30 | 39.C50/30 39.C50/30-M8 39.C50/30-68 39.C50/35 | 39.D50/30 39.D50/30-M10 (M10x20) | |
| 50 | 35 | | | | | |
| 50 | 37 | | | | | |
| 50 | 40 | 39.M5040 | | 39.C50/40-M12 39.C50/40 | | 39.E50/40 (M10) 39.E50/40-M12 (M12) |
| 50 | 42 | | | | | |
| 50 | 45 | 39.M5045 | | 39.C50/45 | | |
| 50 | 50 | 39.M5050 | 39.B50/50 | | | |
| 50 | 80 | | 39.B50/50-M10 (M10x28) | | | |
| 60 | 15 | | | | | |
| 60 | 16 | | | | | |
| 60 | 20 | | | | | |
| 60 | 25 | | | | | |
| 60 | 30 | | 39.B60/30 (M12x25) | 39.C60/30-M8 (M8) 39.C60/30 (M10) | 39.D60/30 (M10x28) 39.D60/30-M12 (M12x23) | 39.E60/30 (M10) |
| 60 | 35 | 39.M6035 | | | | 39.E60/30-M12 (M12) |
| 60 | 40 | | 39.B60/40 | 39.C60/40 39.C60/40-M10 SH 43 39.C60/40-M12 SH 43 | 39.D60/40 (M10x28) 39.D60/40.M12 (M12x23) | 39.E60/40 (M10) 39.E60/40-M12 (M12) |
| 60 | 45 | | | | | |
| 60 | 50 | 39.M6050 | | | 39.D6050 | |
| 60 | 60 | | | | | |
| 65 | 35 | | | 39.C65/35 39.C65/35.M10 (M10) | 39.D65/35 | |
| 70 | 20 | | | | | |
| 70 | 25 | | | | | |
| 70 | 30 | | | | | |
| 70 | 35 | | | | | 39.E70/35 (M12) |
| 70 | 40 | | | | 39.D70/40 (M10x28) 39.D70/40-M12 (M12x27) | |
| 70 | 45 | | | | | |
| 70 | 50 | | | | | 39.E70/50 (M12) |
| 70 | 53 | | | | | |
| 70 | 55 | | | | | |
| 70 | 60 | | | | | |
| 70 | 70 | | | | 39.D70/70 | |

| G | h |
|----|---------------------------------------|
| M6 | 6, 8, 10, 12, 15, 18, 20, 23, 28 |
| M8 | 8, 10, 12, 15, 18, 20, 23, 25, 28, 33 |

| G | h |
|-----|--|
| M10 | 10, 12, 15, 18, 20, 23, 25, 28, 33, 38, 43 |
| M12 | 10, 12, 18, 20, 23, 25, 27, 33, 37, 42 |

Fåes i tre hårdheder: Shore 43, 55 og 68.
Også mulighed for rustfri gevind.
Available in three hardnesses: SH 43, 55 and 68.
Also option for stainless threads.

Vibrationsdæmpere / Vibration muffler



| D | H | Type M (1) | Type B (2) | Type C (3) | Type D (4) | Type E (5) |
|-----|-----|------------|---------------------|--|------------------------|--|
| 75 | 20 | | | | | |
| 75 | 25 | | | | | |
| 75 | 30 | | 39.B75/30 (M12x25) | 39.C75/30 (M12) 39.C75/30-M10 (M10) | 39.D75/30 | 39.E75/30 (M10) 39.E75/30-M12 (M12) |
| 75 | 35 | | | | | |
| 75 | 40 | 39.M7540 | 39.B75/40 (M12x25) | | | |
| 75 | 45 | | | 39.C70/45-M10 | | |
| 75 | 50 | 39.M7550 | 39.B75/50 (M12x25) | | 39.D75/50-M10 (M10x28) | 39.E75/50 (M10) 39.E75/50-M12 (M12) |
| 75 | 55 | | | 39.C75/55 39.C75/55-43 39.C75/55-M10 (M10) | | |
| 75 | 60 | 39.M7560 | | | | |
| 75 | 70 | | | | | |
| 75 | 100 | | | 39.C75/100 39.C75/100-M16 | | |
| 80 | 17 | | | | | |
| 80 | 18 | | | | | |
| 80 | 30 | | | | | |
| 80 | 40 | | | | | |
| 80 | 50 | 39.M8050 | | | | 39.E80/50 (M12) 39.E80/50-M16 (M16) |
| 80 | 55 | | | | | |
| 80 | 60 | | | | | |
| 80 | 65 | | | | | |
| 80 | 70 | | | | | |
| 80 | 75 | | | | | |
| 80 | 80 | | | | | |
| 90 | 60 | | | | | |
| 100 | 25 | | | | | 39.E100/25 (M16) |
| 100 | 30 | | 39.B100/30 (M16x46) | | 39.D100/30 (M16x41) | 39.E100/30 (M16) |
| 100 | 35 | | | | | |
| 100 | 40 | | 39.B100/40 (M16x46) | 39.C100/40 | | 39.E100/40 (M16) |
| 100 | 45 | | | | | |
| 100 | 50 | | 39.B100/50 (M16x46) | 39.C100/50 (M16) | 39.D100/50 (M16x41) | 39.E100/50 (M16) |
| 100 | 55 | | | | | |
| 100 | 60 | | | | | |
| 100 | 65 | | | | | |
| 100 | 70 | | | | | |
| 100 | 75 | | 39.B100/75 SH 43 | 39.C100/75 (M16) | 39.D100/75 (M16x41) | 39.E100/75 (M16) |
| 100 | 80 | | | | | |
| 100 | 100 | | | | | |
| 150 | 40 | | | 39.C150/40 | | |
| 150 | 50 | | | 39.C150/50 | 39.D150/50 (M16x41) | 39.E150/50 (M16) 39.E150/50-M20 (M20) |
| 150 | 55 | | | | | |
| 150 | 60 | | | | | |
| 150 | 75 | | | 39.C150/75 (M16) | | 39.E150/75 (M16) 39.E150/75-M20 (M20) |
| 200 | 100 | | | 39.C200/100 (M20) | 39.D200/100 (M20x41) | 39.E200/100 (M20) |

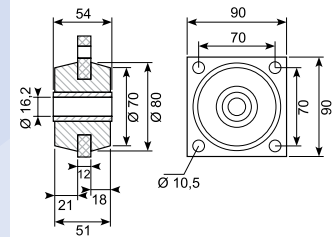
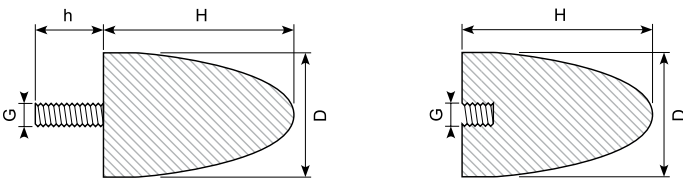
| G | h |
|----|---------------------------------------|
| M6 | 6, 8, 10, 12, 15, 18, 20, 23, 28 |
| M8 | 8, 10, 12, 15, 18, 20, 23, 25, 28, 33 |

| G | h |
|-----|--|
| M10 | 10, 12, 15, 18, 20, 23, 25, 28, 33, 38, 43 |
| M12 | 10, 12, 18, 20, 23, 25, 27, 33, 37, 42 |

Fåes i tre hårdheder: Shore 43, 55 og 68.
Også mulighed for rustfri gevind.
Available in three hardnesses: SH 43, 55 and 68.
Also option for stainless threads.

Vibrationsdæmpere / Vibration muffler

39.103195



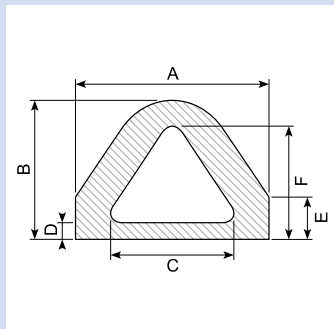
Material: NBR
Hardness: SH 55

| KP-D-no. | KP-E-no. | D/H | D | H | G | h |
|----------------|----------------|---------|-----|-----|-----|----|
| 39.KP-D10/10 | 39.KP-E10/10 | 10/10 | 10 | 10 | M5 | 12 |
| 39.KP-D15/22 | 39.KP-E15/22 | 15/22 | 15 | 22 | M6 | 18 |
| 39.KP-D20/15 | 39.KP-E20/15 | 20/15 | 20 | 15 | M6 | 10 |
| 39.AV2024 | 39.KP-E20/24 | 20/24 | 20 | 24 | M6 | 18 |
| 39.KP-D25/16 | 39.KP-E25/16 | 25/16 | 25 | 16 | M6 | 18 |
| 39.KD25/17 | | 25/17 | 25 | 17 | M6 | 8 |
| 39.KP-D25/20 | 39.KP-E25/20 | 25/20 | 25 | 20 | M6 | 18 |
| 39.KP-D30/30 | 39.KP-E30/30 | 30/30 | 30 | 30 | M8 | 20 |
| 39.KP-D30/36 | 39.KP-E30/36 | 30/36 | 30 | 36 | M8 | 20 |
| 39.AV30 | | 30/40 | 30 | 40 | M8 | 23 |
| | 39.KP-E35/40 | 35/40 | 35 | 40 | M8 | 23 |
| 39.KD50/18 | | 50/18 | 50 | 18 | M10 | 18 |
| 39.KP-D50/50 | 39.KP-E50/50 | 50/50 | 50 | 50 | M10 | 28 |
| 39.AV50 | | 50/55 | 50 | 55 | M10 | 27 |
| 39.KP-D50/58 | | 50/58 | 50 | 58 | M10 | 28 |
| 39.KP-D50/61 | 39.KP-E50/61 | 50/61 | 50 | 61 | M8 | 28 |
| 39.KP-D50/67 | 39.KP-E50/67 | 50/67 | 50 | 67 | M8 | 33 |
| 39.AV5068 | 39.KP-E50/68 | 50/68 | 50 | 68 | M10 | 38 |
| 39.KP-D60/40 | 39.KP-E60/40 | 60/40 | 60 | 40 | M10 | 28 |
| 39.KP-D70/58 | 39.KP-E70/58 | 70/58 | 70 | 58 | M12 | 32 |
| 39.KP-D70/60 | 39.KP-E70/60 | 70/60 | 70 | 60 | M12 | 37 |
| 39.KP-D75/89 | 39.KP-E75/89 | 75/89 | 75 | 89 | M12 | 37 |
| 39.AV9580 | 39.KP-E95/80 | 95/80 | 95 | 80 | M16 | 41 |
| 39.KP-D115/136 | 39.KP-E115/136 | 115/136 | 115 | 136 | M16 | 41 |
| 39.KP-D118/77 | 39.KP-E118/77 | 118/77 | 118 | 77 | M16 | 41 |

Skaffevarer / Special order item

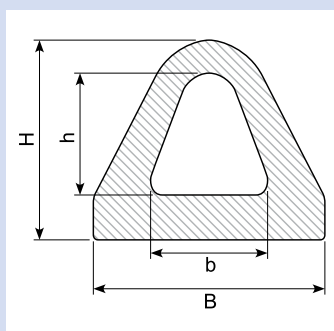


Fendere / Fenders



Material: EPDM black
 Hardness: SH 70
 Fenders for harbours, loading ramps w. m.

| Art. | A | B | C | D | E | F | Kg/m |
|-----------|-----|-----|-----|----|----|-----|-------|
| 39.3872 | 40 | 25 | 28 | 5 | 10 | 20 | 0,57 |
| 39.3873 * | 55 | 40 | 38 | 8 | 15 | 32 | 1,39 |
| 39.3875 * | 60 | 50 | 40 | 10 | 20 | 42 | 1,75 |
| 39.4087 * | 60 | 52 | 30 | 11 | 11 | 43 | 2 |
| 39.3876 | 80 | 65 | 50 | 12 | 25 | 39 | 3,2 |
| 39.3887 * | 80 | 70 | 40 | 15 | 0 | 68 | 3,5 |
| 39.4333 * | 80 | 70 | 54 | 15 | 16 | 59 | 4 |
| 39.2486 * | 82 | 67 | 42 | 15 | 15 | 57 | 3,5 |
| 39.4156 * | 109 | 117 | 50 | 42 | 50 | 95 | 10,5 |
| 39.3846 * | 110 | 95 | 50 | 22 | 18 | 76 | 6,1 |
| 39.3874 * | 110 | 95 | 70 | 15 | 30 | 80 | 5,79 |
| 39.4399 * | 110 | 130 | 70 | 20 | 45 | 110 | 7,8 |
| 39.3010 * | 120 | 110 | 70 | 14 | 35 | 95 | 7,39 |
| 39.3868 * | 150 | 130 | 100 | 20 | 40 | 110 | 10,82 |
| 39.4178 * | 150 | 160 | 105 | 50 | 60 | 130 | 16,3 |
| 39.3722 * | 160 | 138 | 92 | 33 | 0 | 105 | 15,83 |
| 39.3240 * | 170 | 130 | 110 | 15 | 45 | 110 | 10,5 |



Material: EPDM black
 Hardness: SH 70
 Fenders for vans harbours, loading ramps etc.

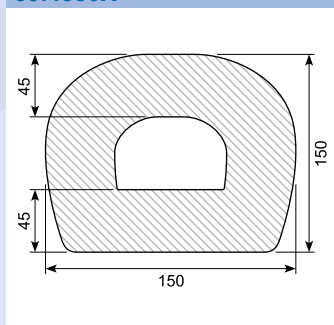
| Art. | B | H | b | h | L | Kg/m |
|------------|-----|-----|----|----|------|--------|
| 39.674 | 40 | 22 | | | 20 m | 0,715 |
| 39.678 | 60 | 50 | | | 10 m | 2,1 |
| 39.678X * | 50 | 60 | | | 20 m | 2,1 |
| 39.680X | 84 | 70 | 46 | 41 | 20 m | 3,7 |
| 39.684X | 110 | 95 | | | 10 m | 7,076 |
| 39.684XS * | | | | | | |
| 39.685 * | 120 | 120 | | | 3 m | 11,204 |

Soft. SH 45. Min. order: 40 m

Material: White

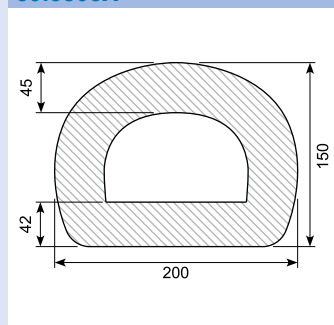
| Art. | B | H | L | Min. order |
|--------------|----|----|----------|------------|
| 39.680H * | | | | 100 m |
| 39.680H-1180 | 84 | 70 | 1.180 mm | |

39.4380X



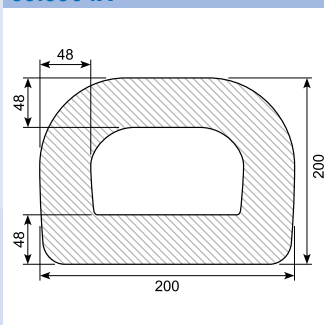
Material: NR / SBR
 Length: 2 m

39.3803X



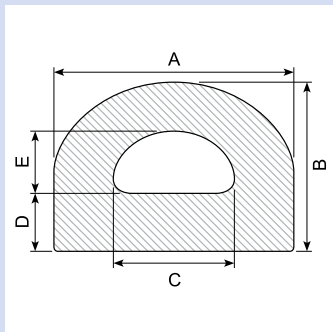
Material: NR / SBR
 Length: 2 m

39.3904X



Material: NR / SBR
 Length: 2 m

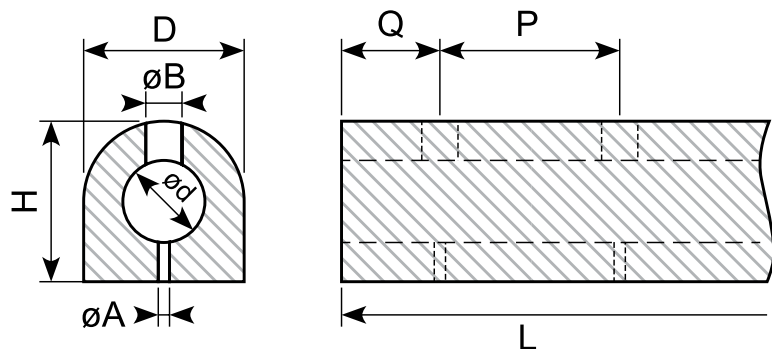
Fendere / Fenders



Material: EPDM black
 Hardness: SH 70
 Fenders for harbours, loading ramps w. m.

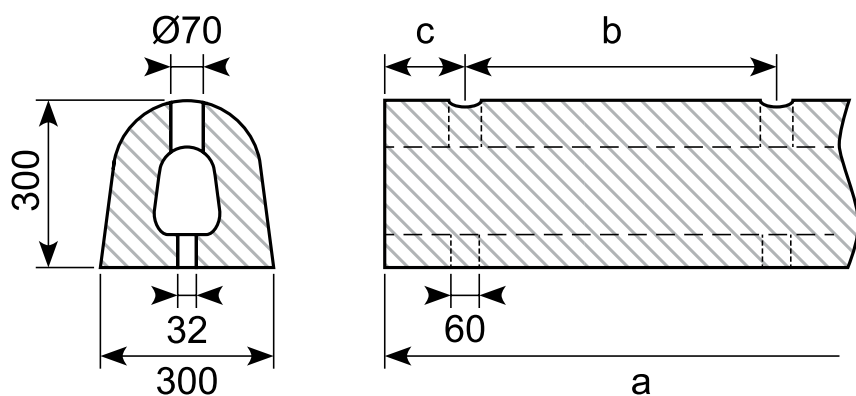
| Art. | A | B | C | D | E | Kg/m |
|------------|-----|-----|------|-----|------|-------|
| 39.3581 | 30 | 25 | 11 | 7,5 | 11 | 0,67 |
| 39.36412 * | 40 | 75 | 23 | 32 | 23 | 3,76 |
| 39.2776 * | 51 | 45 | 20 | 10 | 20 | 2,08 |
| 39.3428 * | 65 | 70 | 35 | 18 | 28 | 2,99 |
| 39.3029 * | 80 | 80 | 40 | 25 | 35 | 5,54 |
| 39.3700 * | 80 | 78 | 56 | 12 | 54 | 3,55 |
| 39.3925 * | 80 | 80 | 40 | 23 | 40 | 5,59 |
| 39.4229 * | 80 | 70 | 46 | 25 | 20 | 4,57 |
| 39.4110 * | 95 | 100 | 38 | 30 | 45 | 5,4 |
| 39.3051 * | 100 | 80 | 50 | 25 | 30 | 7,05 |
| 39.3802 | 100 | 80 | 80 | 12 | 56 | 3,68 |
| 39.3923 * | 100 | 95 | 44 | 29 | 40 | 8,1 |
| 39.3952 * | 100 | 95 | 60 | 20 | 50 | 6,99 |
| 39.4251 * | 100 | 60 | 50 | 20 | 20 | 5,81 |
| 39.4403 * | 100 | 95 | 60 | 28 | 42 | 6,27 |
| 39.4310 * | 107 | 67 | 40 | 22 | 20 | 6,4 |
| 39.3726 * | 110 | 110 | 50 | 30 | 25 | 12,14 |
| 39.3878 * | 120 | 70 | 30 | 20 | 30 | 6,41 |
| 39.93 * | 120 | 120 | 70 | 44 | 51 | 11,84 |
| 39.4381 * | 125 | 100 | 65 | 33 | 37 | 10,87 |
| 39.69 * | 130 | 150 | 50 | 50 | 50 | 21,05 |
| 39.4257 * | 130 | 145 | 40 | 55 | 40 | 17,24 |
| 39.3813 * | 140 | 125 | 85 | 35 | 55 | 14,75 |
| 39.3815 * | 140 | 80 | 60 | 20 | 36 | 10,27 |
| 39.3381 * | 150 | 150 | 85 | 30 | 85 | 18,81 |
| 39.4129 * | 150 | 130 | 50 | 55 | 50 | 20 |
| 39.4224 * | 150 | 150 | 92 | 29 | 92 | 14,7 |
| 39.4244 * | 150 | 180 | 45 | 87 | 40 | 27,8 |
| 39.4380 | 150 | 150 | 80 | 40 | 75 | 18,22 |
| 39.3366 * | 160 | 125 | 90 | 25 | 65 | 15,82 |
| 39.4311 * | 160 | 175 | 68 | 79 | 68 | 17,1 |
| 39.57 * | 200 | 165 | 40,5 | 80 | 40,5 | 31,44 |
| 39.3023 * | 190 | 195 | 21 | 89 | 21 | 40,57 |
| 39.4012 * | 190 | 195 | 55 | 89 | 55 | 37,7 |
| 39.3803 * | 200 | 150 | 148 | 14 | 113 | 11,81 |
| 39.4249 * | 200 | 220 | 75 | 82 | 75 | 42,39 |
| 39.4250 * | 200 | 220 | 100 | 38 | 80 | 39,38 |
| 39.4269 * | 200 | 220 | 75 | 82 | 75 | 36,85 |
| 39.3849 * | 240 | 260 | 110 | 90 | 110 | 54,54 |
| 39.3879 * | 250 | 290 | 120 | 60 | 110 | 48,96 |
| 39.56 * | 250 | 200 | 136 | 50 | 100 | 39,84 |
| 39.4054 * | 280 | 190 | 180 | 50 | 90 | 38,5 |
| 39.79 * | 300 | 254 | 150 | 75 | 104 | 68,25 |
| 39.55 * | 350 | 350 | 220 | 80 | 165 | 97,68 |

D-fender



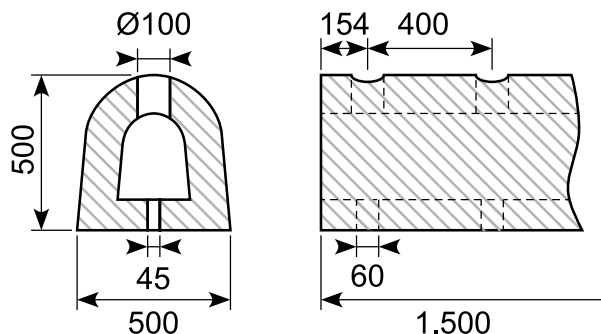
| Art. | H | D | A | B | d | Q | P | L |
|-------------|-----|-----|----|----|-----|-----|-----|-------|
| 39.200200 * | 200 | 200 | 25 | 60 | 100 | 150 | 300 | 1.500 |
| 39.300300 * | 300 | 300 | 29 | 65 | 150 | 150 | 300 | 1.500 |

D-fender

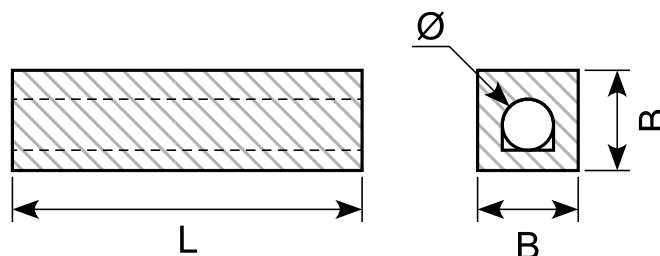


| Art. | Size | a (mm) | b (mm) | c (mm) | Mounting holes | Weight |
|--------------|-----------------|--------|--------|--------|----------------|--------|
| * | D300HX900L-2h | 900 | 600 | 150 | 2 | 62 |
| * | D300HX1000L-2h | 1.000 | 600 | 250 | 2 | 69 |
| * | D300HX1500L-3h | 1.500 | 600 | 150 | 3 | 103 |
| 39.300300A * | D300HX1500L-5h | 1.500 | 320 | 110 | 5 | 103 |
| * | D300HX1500-5h-S | 1.500 | 320 | 110 | 5 | 98 |
| * | D300HX2000-4h | 2.000 | 500 | 250 | 4 | 210 |

39.500500A *



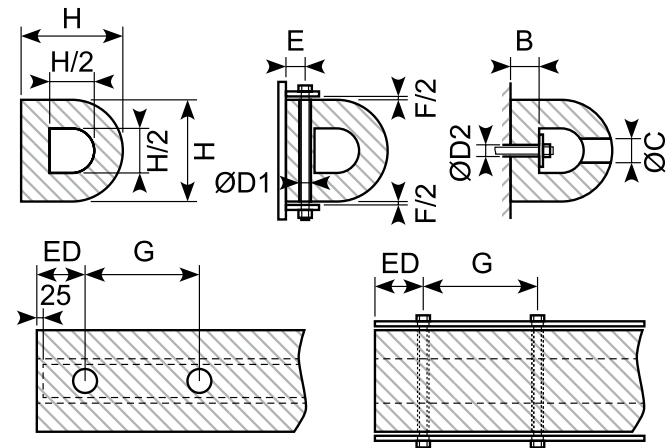
D-fender



| Art. | B (mm) | Ø (mm) |
|---------------|--------|--------|
| * | 150 | 75 |
| * | 200 | 100 |
| * | 250 | 125 |
| 39.300300FK * | 300 | 150 |
| * | 400 | 200 |
| * | 500 | 250 |

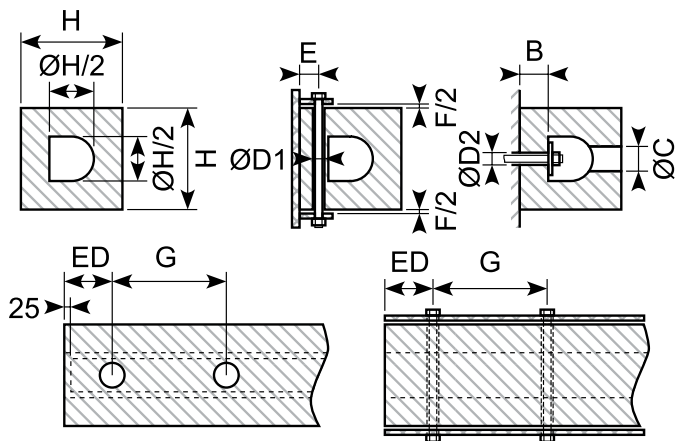
Længder fra 500 - 3.000 mm /
Lengths from 500 - 3.000 mm

DD-fender



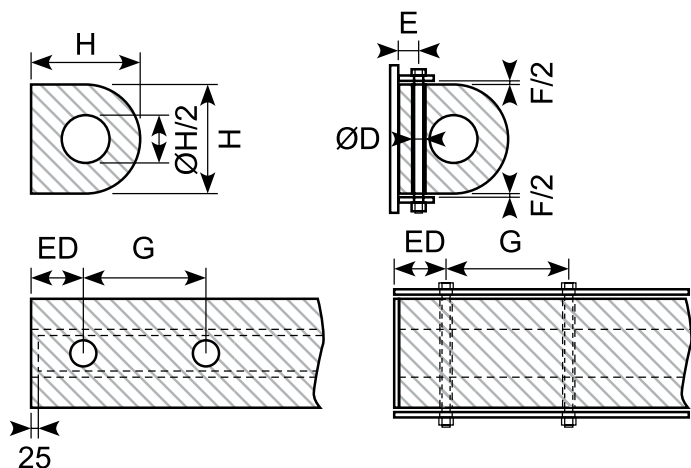
| Art. | H (mm) | B (mm) | C (mm) | D1 (mm) | D2 (mm) | F (mm) | G (mm) | ED (mm) | Flat bar (mm) | Anchors | Weight (kg/m) |
|----------------------|-----------|--------|--------|---------|---------|--------|---------|---------|---------------|---------|---------------|
| * | 100 x 100 | 25 | 30 | 18 | 24 | 10 | 200-300 | 90-130 | 40 x 5 | M12 | 8,3 |
| * | 150 x 150 | 37,5 | 40 | 24 | 32 | 12 | 250-350 | 110-150 | 60 x 8 | M16 | 18 |
| * | 200 x 200 | 50 | 50 | 30 | 40 | 15 | 300-400 | 130-180 | 80 x 10 | M20 | 32 |
| * | 250 x 250 | 62,5 | 60 | 36 | 48 | 20 | 350-450 | 140-200 | 90 x 12 | M24 | 50 |
| 39.DD300300 * | 300 x 300 | 75 | 60 | 36 | 48 | 25 | 350-450 | 140-200 | 110 x 12 | M24 | 72 |
| * | 350 x 350 | 87,5 | 75 | 45 | 60 | 25 | 350-450 | 140-200 | 130 x 15 | M30 | 103,6 |
| * | 380 x 380 | 95 | 75 | 45 | 60 | 30 | 350-450 | 140-200 | 140 x 15 | M30 | 122,1 |
| * | 400 x 400 | 100 | 75 | 45 | 60 | 30 | 350-450 | 140-200 | 150 x 15 | M30 | 128 |
| * | 500 x 500 | 125 | 90 | 54 | 72 | 40 | 400-500 | 160-230 | 180 x 20 | M36 | 200 |

SD-fender



| Art. | H (mm) | B (mm) | C (mm) | D1 (mm) | D2 (mm) | E (mm) | F (mm) | G (mm) | ED (mm) | Flat bar (mm) | Anchors | Weight (kg/m) |
|----------------------|-----------|--------|--------|---------|---------|--------|--------|---------|---------|---------------|---------|---------------|
| * | 100 x 100 | 25 | 30 | 18 | 24 | 25 | 10 | 200-300 | 90-130 | 40 x 5 | M12 | 9,5 |
| * | 150 x 150 | 37,5 | 40 | 24 | 32 | 30 | 12 | 250-350 | 110-150 | 50 x 8 | M16 | 22,1 |
| * | 200 x 200 | 50 | 50 | 30 | 40 | 45 | 15 | 300-400 | 130-180 | 70 x 10 | M20 | 38,7 |
| 39.SD300250 * | 250 x 250 | 62,5 | 60 | 36 | 48 | 50 | 20 | 350-450 | 140-200 | 90 x 12 | M24 | 59,3 |
| 39.SD300300 * | 300 x 300 | 62,5 | 60 | 36 | 48 | 50 | 25 | 350-450 | 140-200 | 100 x 12 | M24 | 73 |
| * | 350 x 350 | 75 | 75 | 45 | 60 | 60 | 25 | 350-450 | 140-200 | 100 x 15 | M30 | 89,3 |
| * | 400 x 400 | 100 | 75 | 45 | 60 | 80 | 30 | 350-450 | 140-200 | 150 x 15 | M30 | 148,5 |
| | 500 x 500 | 125 | 90 | 54 | 72 | 90 | 40 | 400-500 | 160-230 | 180 x 20 | M36 | 232,1 |

DC-fender



| Art. | H (mm) | D (mm) | E (mm) | F (mm) | G (mm) | ED (mm) | Anchors | Weight (kg/m) |
|----------------------|-----------|--------|--------|--------|---------|---------|---------|---------------|
| * | 100 x 100 | 18 | 25 | 10 | 200-300 | 90-130 | M12 | 9,9 |
| * | 150 x 150 | 24 | 30 | 12 | 250-350 | 110-150 | M16 | 20 |
| * | 200 x 200 | 30 | 45 | 15 | 300-400 | 130-180 | M20 | 37,4 |
| * | 250 x 250 | 36 | 50 | 20 | 350-450 | 140-200 | M24 | 57,2 |
| 39.DC300300 * | 300 x 300 | 36 | 60 | 25 | 350-450 | 140-200 | M24 | 81,3 |
| * | 350 x 350 | 45 | 70 | 25 | 350-450 | 140-200 | M30 | 109,5 |
| * | 400 x 400 | 45 | 80 | 30 | 350-450 | 140-200 | M30 | 142 |
| * | 500 x 500 | 54 | 90 | 40 | 400-500 | 150-230 | M36 | 208 |

39.BUMPER-FENDER

150 x 150 x 900 mm med 3 huller Ø37 / Ø15 mm. Til personbiler/varevogne.

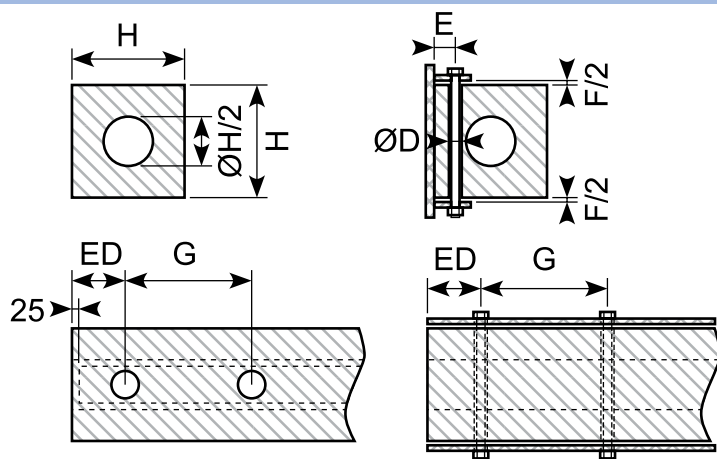


39.BUMPER-CAR

150 x 130 x 1.200 mm. Hjulstop/fender uden huller og montageplade til personbiler/varevogne.



SC-fender



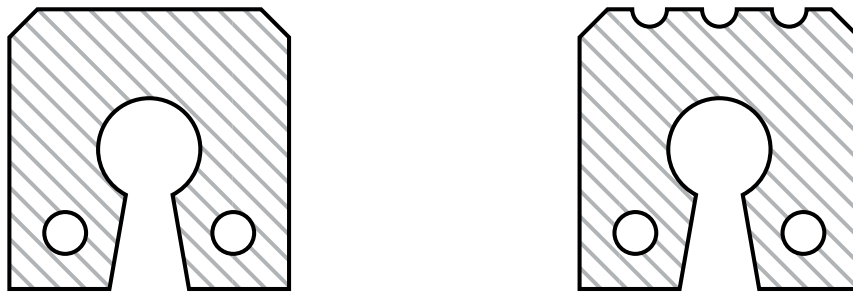
| Art. | H (mm) | D (mm) | E (mm) | F (mm) | G (mm) | ED (mm) | Anchors | Weight (kg/m) |
|----------------------|-----------|--------|--------|--------|---------|---------|---------|---------------|
| * | 100 x 100 | 18 | 25 | 10 | 200-300 | 90-130 | M12 | 11,1 |
| * | 150 x 150 | 24 | 30 | 12 | 250-350 | 110-150 | M16 | 22,9 |
| * | 200 x 200 | 30 | 45 | 15 | 300-400 | 130-180 | M20 | 42,6 |
| * | 250 x 250 | 36 | 50 | 20 | 350-450 | 140-200 | M24 | 65,3 |
| 39.SC300300 * | 300 x 300 | 36 | 60 | 25 | 350-450 | 140-200 | M24 | 92,9 |
| * | 350 x 350 | 45 | 70 | 25 | 350-450 | 140-200 | M30 | 117,6 |
| * | 400 x 400 | 45 | 80 | 30 | 350-450 | 140-200 | M30 | 153,6 |
| * | 500 x 500 | 54 | 90 | 40 | 400-500 | 150-230 | M36 | 240,1 |

39.BUMPER-CAR2

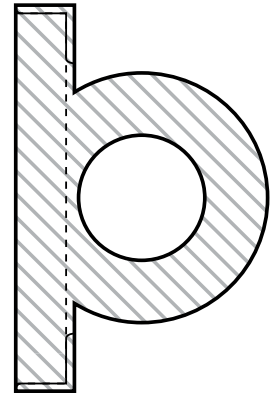
160 x 100 x 1.650 mm. Hjulstop med 3 huller til M12 montage til personbiler/varevogne.



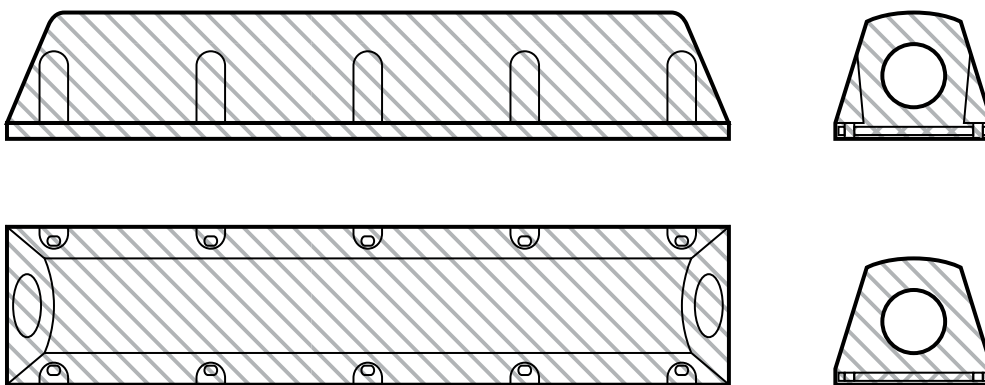
Keyhole fender *



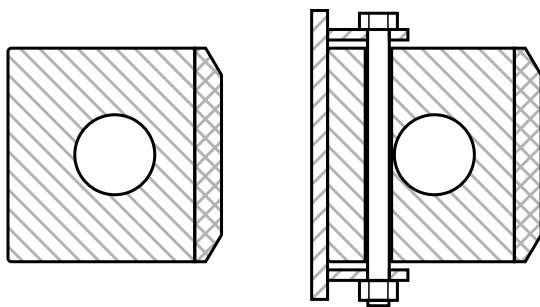
Wing-type-fender *



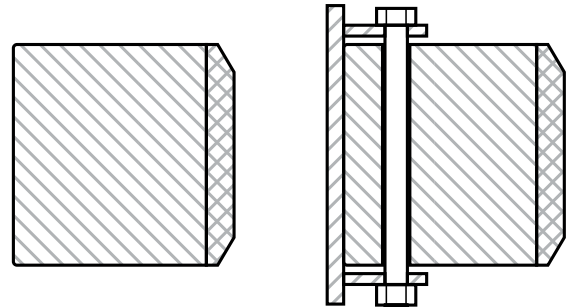
MC-fender *



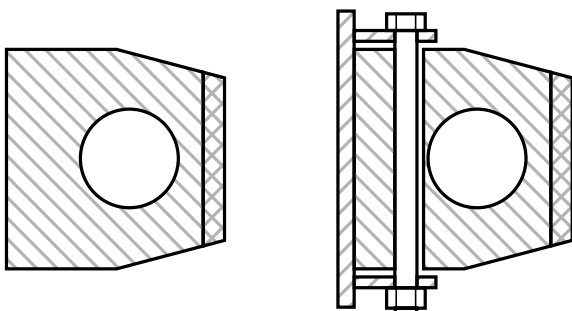
KF-A-fender



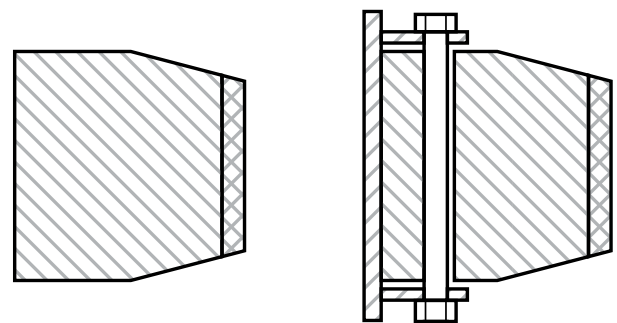
KF-B-fender *



KF-C-fender *



KF-D-fender *



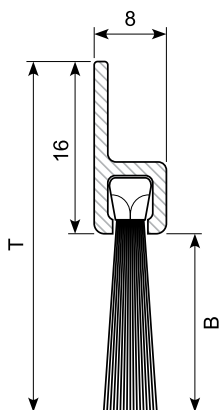
Børste- og flock-lister / Brush sections

Børsterne er som standard nylon, men kan også leveres med PP, hestehår eller rustfri tråd. Børsterne og skinnerne kan købes separat. Børstelisterne leveres i længder á 3 meter.

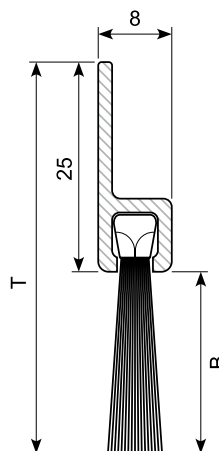
The brushes are usually made of nylon but can be delivered with PP, horse hairs or stainless steel wire. Brushes and rails can be purchased separately. Brush sections are supplied in length of 3 meters.

| Art. | Type Tegning Drawing | B (mm) Børstelængde Brush length | T (mm) Totalhøjde Total height |
|-----------|----------------------------|--|--------------------------------------|
| 57.400/3E | A | 10 | 26 |
| 57.401/3E | A | 14 | 30 |
| 57.402/3E | A | 24 | 40 |
| 57.408/3E | A | 34 | 50 |
| 57.403/3E | B | 25 | 50 |
| 57.410/3E | B | 35 | 60 |
| 57.405/3E | B | 45 | 70 |
| 57.404/3E | C | 40 | 90 |
| 57.406/3E | C | 60 | 110 |
| 57.411/3E | C | 80 | 130 |
| 57.407/3E | C | 100 | 150 |
| 57.412/3E | C | 120 | 170 |
| 57.413/3E | C | 150 | 200 |

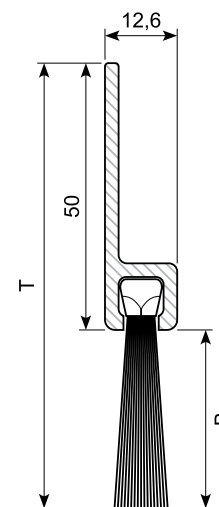
Type A



Type B

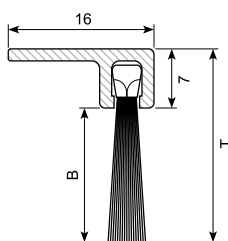


Type C

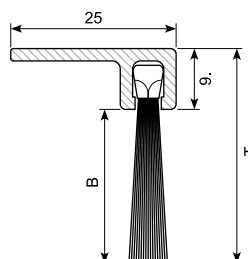


| Art. | Type Tegning Drawing | B (mm) Børstelængde Brush length | T (mm) Total længde Total length |
|-----------|----------------------------|--|--|
| 57.440/3E | D | 10 | 17 |
| 57.441/3E | D | 14 | 21 |
| 57.442/3E | D | 24 | 31 |
| 57.445/3E | D | 34 | 41 |
| 57.443/3E | E | 25 | 34 |
| 57.449/3E | E | 35 | 44 |
| 57.444/3E | E | 45 | 54 |
| 57.450/3E | F | 40 | 53 |
| 57.446/3E | F | 60 | 73 |
| 57.448/3E | F | 80 | 93 |
| 57.447/3E | F | 100 | 113 |
| 57.451/3E | F | 120 | 133 |
| 57.452/3E | F | 150 | 163 |

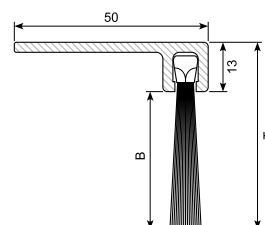
Type D



Type E

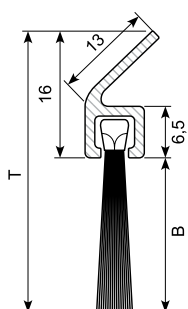


Type F

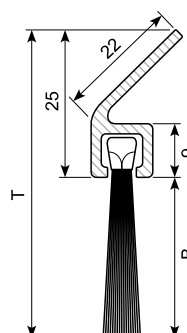


| Art. | Type Tegning Drawing | B (mm) Børstelængde Brush length | T (mm) Total længde Total length |
|-----------|----------------------------|--|--|
| 57.453/3E | G | 10 | 26 |
| 57.454/3E | G | 14 | 30 |
| 57.455/3E | G | 24 | 40 |
| 57.456/3E | G | 34 | 50 |
| 57.423/3E | H | 25 | 50 |
| 57.424/3E | H | 35 | 60 |
| 57.425/3E | H | 45 | 70 |
| 57.426/3E | I | 40 | 87 |
| 57.427/3E | I | 60 | 107 |
| 57.428/3E | I | 80 | 127 |
| 57.429/3E | I | 100 | 147 |
| 57.430/3E | I | 120 | 167 |
| 57.431/3E | I | 150 | 197 |

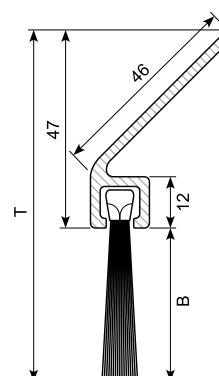
Type G



Type H

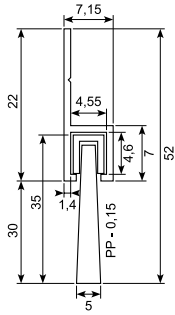


Type I



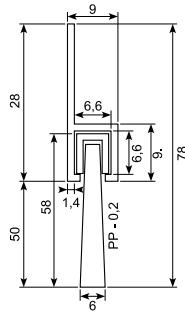
Børste- og flock-lister / Brush sections

57.403/2.5J



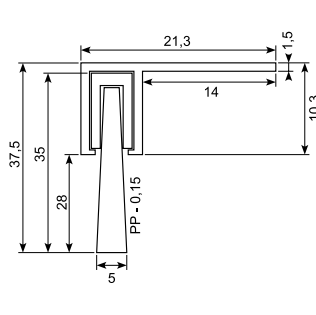
Material: Aluminium with polypropylene brush
Length: 2,5 m

57.405/2J



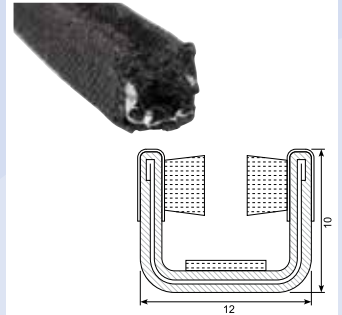
Material: Aluminium with polypropylene brush
Length: 2 m

57.443/2JP



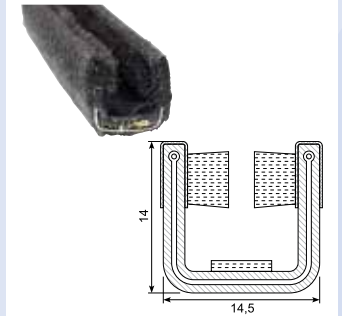
Material: Plastic with polypropylene brush
Length: 2 m

33.621



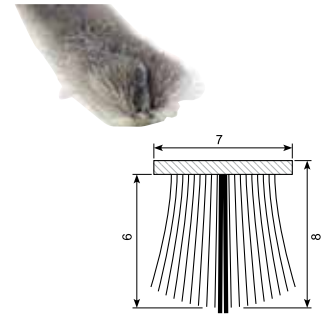
Rubber / fabric / brush
4 - 5 mm glass
Steel

33.623



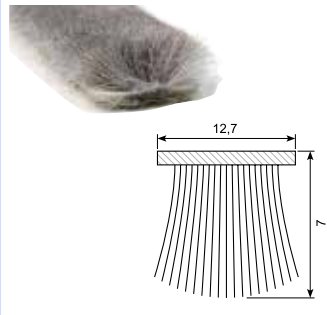
Rubber / fabric / brush
4 - 6 mm glass
Steel

33.611



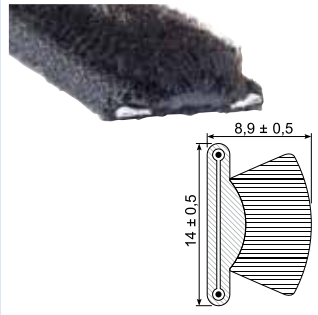
Self-adhesive list with brushes and waterproof center film

33.615

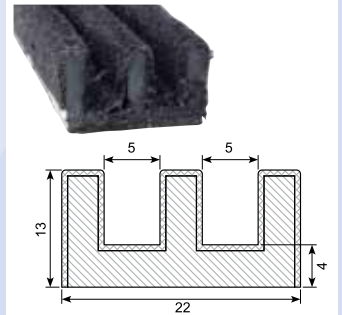


Self-adhesive list with brushes.

33.613

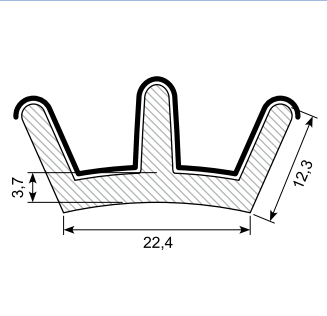


33.670



Flocked channel molding

33.671*

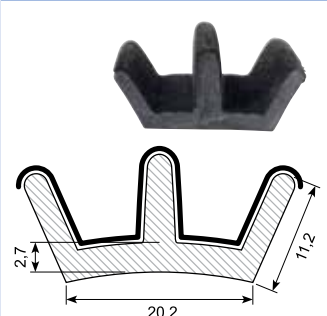


Material: EPDM
Density: 1,28
Hardness: SH 70
Min. order: 2.000 m
Flock: 3,3 dtex

* Skaffevarer / Special order item

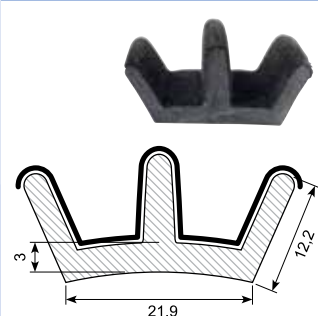
00129-5-k201902 - SINDBY PROFILES 5

33.672*



Material: EPDM
Density: 1,28
Hardness: SH 70
Min. order: 2.000 m
Flock: 3,3 dtex

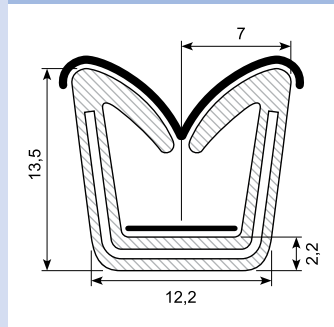
33.673*



Material: EPDM
Density: 1,28
Hardness: SH 70
Min. order: 2.000 m
Flock: 3,3 dtex

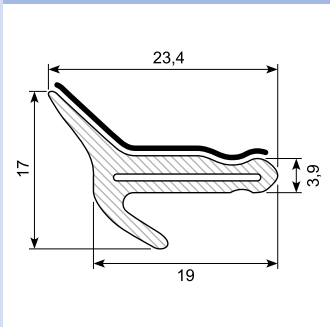
Børste- og flock-lister / Brush sections

33.674 *



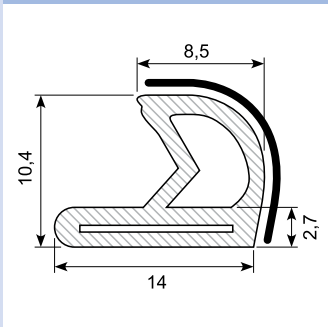
Material: EPDM
Density: 1,28
Hardness: SH 70
Min. order: 3.000 m
Flock: 3,3 dtex

33.675 *



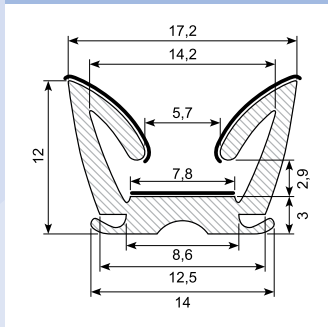
Material: EPDM
Density: 1,28
Hardness: SH 70
Min. order: 3.000 m
Flock: 3,3 dtex

33.676 *



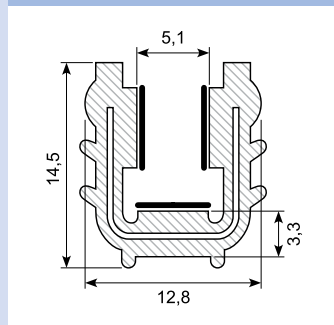
Material: EPDM
Density: 1,28
Hardness: SH 70
Min. order: 3.000 m
Flock: 3,3 dtex

30.13066 *



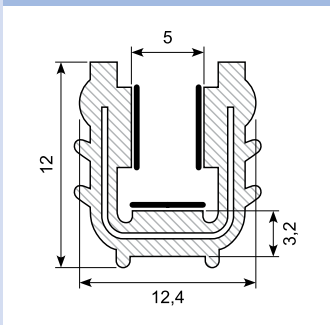
Material: EPDM
Density: 1,28
Hardness: SH 70
Min. order: 3.000 m
Flock: 3,3 dtex
Glass width: 5 mm

33.624 *



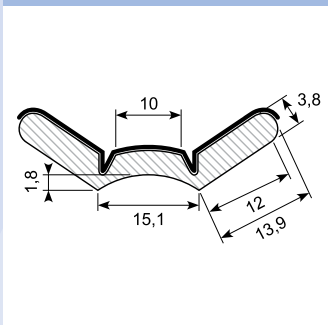
Material: EPDM
Density: 1,28
Hardness: SH 70
Min. order: 3.000 m
Flock: 3,3 dtex

33.625 *



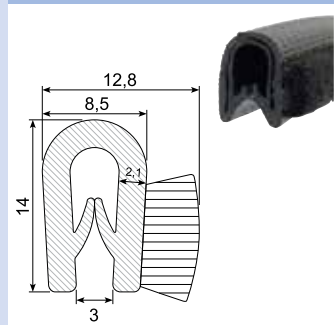
Material: EPDM
Density: 1,28
Hardness: SH 70
Min. order: 3.000 m
Flock: 3,3 dtex

30.14803 *



Material: EPDM
Density: 1,28
Hardness: SH 70
Min. order: 3.000 m
Flock: 3,3 dtex

33.416



Edge trim: PVC with brush
Grip range: 1 - 2,5 mm
Hardness: SH 78
Insert: 25 x 0,48 mm steel
New brush

Lydisolering / Soundproofing

Lydabsorption / Sound absorption

Selvklebende skum med Tedlarbelægning

Benyttes, alt afhængig af folieafdækning i førerkabiner, motorrum, kompressorer, generatorer, ventilatorer, turbiner, pumper og lignende.

Self-adhesive foam with Tedlar coat

Depending on the foil covers this is used in cabs, engine compartment, compressors, generators, fans, turbines, pumps or the like.

| Art. | Farve / Color | Overflade / Surface | Dimension (mm) |
|--------|---------------|-------------------------|--------------------|
| 48.603 | Hvid / White | Plan 100% Plane 100% | 20 x 1.200 x 1.500 |
| 48.604 | Hvid / White | Plan 100% Plane 100% | 30 x 1.200 x 1.500 |

Selvklebende skum med Bitumenindlæg

Self-adhesive foam with Bitumen inserts

| Art. | Farve / Color | Overflade / Surface | Dimension (mm) |
|---------|---------------|-------------------------|------------------|
| 48.613K | Hvid / White | Plan 100% Plane 100% | 33 x 600 x 1.000 |

Lydisolering / Soundproofing

Lydisoleringsmaterialer er typisk lavet af åbencellede, fleksible skummaterialer i tungere densiteter. Den forøgede densitet er opnået ved at anvende regenereret skum.

Anvendelsesområdet kan typisk være lydisolering af motorrum i lystbåde, vindmøllehuse, kompressorer og andre støjende maskiner, hvor det er muligt at adskille støjkilden fra det omliggende område.

Da der ofte skal etableres et kølende luftskifte i disse situationer, laver man en lydsluse beklædt med lydabsorptionsmateriale.

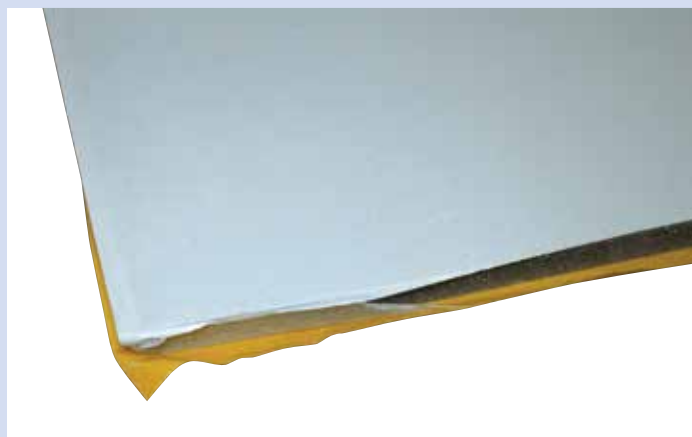
Granulat koldskum med enestående lydæmpningsevne. Benyttes til beklædning af motorrum, maskinafskærmninger, ventilationskamre og støjcabiner. Grundet den lave densitet kan den også, med fordel, anvendes som absorbent.



| Art. | Overflade / Surface | Dimension (mm) |
|--------|---------------------|------------------|
| 48.634 | Ingen / None | 20 x 500 x 1.000 |
| 48.635 | Ingen / None | 30 x 500 x 1.000 |
| 48.636 | Ingen / None | 40 x 500 x 1.000 |



| Art. | Overflade / Surface | Dimension (mm) |
|----------|---------------------|--------------------|
| 48.634F | Folie / Foil | 20 x 500 x 1.000 |
| 48.635F | Folie / Foil | 30 x 500 x 1.000 |
| 48.636F | Folie / Foil | 40 x 500 x 1.000 |
| 48.636FX | Folie / Foil | 40 x 1.000 x 2.000 |



Self-adhesive foam with rubber surface

Selvklebende skum med gummi-overflade

| Art. | Farve / Color | Overflade / Surface | Dimension (mm) |
|--------|---------------|-------------------------|------------------------|
| 48.626 | Sort / Black | Plan 100% Plane 100% | 2 / 10 x 1.200 x 1.500 |

Soundproofing materials are typically made of open-celled, flexible foam materials in heavier densities. The increased density is achieved by using regenerated foam.

The field of application can typically be soundproofing of the engine compartment in yachting, wind turbine housings, compressors and other noisy machines where it is possible to separate the noise source from the surrounding area.

Because it is often necessary to assure a cooling air circulation in these situations you make a sound lock covered with soundproofing material.

Granulate cold foam with unique soundproofing ability. This is used for coating of engine compartment, machine guards, ventilation chambers and noise cabins. Due to the low density it may also be used as absorbent with advantage.



| Art. | Overflade / Surface | Dimension (mm) |
|---------|---------------------|------------------|
| 48.634K | Klæb / Glue | 20 x 500 x 1.000 |
| 48.635K | Klæb / Glue | 30 x 500 x 1.000 |
| 48.636K | Klæb / Glue | 40 x 500 x 1.000 |



| Art. | Overflade / Surface | Dimension (mm) |
|----------|-------------------------------|------------------|
| 48.634KF | Folie og klæb / Foil and glue | 20 x 500 x 1.000 |
| 48.635KF | Folie og klæb / Foil and glue | 30 x 500 x 1.000 |
| 48.636KF | Folie og klæb / Foil and glue | 40 x 500 x 1.000 |

Lydisolering / Soundproofing

Lydabsorption / Sound absorption

Lydabsorptionsmaterialer (PU) er typisk lavet af åbencellede, fleksible skummaterialer i lettere densiteter.

Anvendelsesområdet vil typisk være indvendig beklædning af førerkabiner, støjskærme, lydsluger, kanalvægge og lignende situationer, hvor det ikke er muligt at adskille støj-kilden fra det omkringliggende område.

Soundproofing materials (PU) are typically made of open-celled, flexible foam materials in lighter densities.

The field of application will typically be interior sheathing of cabs, noise barriers, sound locks, canal walls and similar situations where it is not possible to separate the noise source from the surrounding area.

Selvklæbende skum uden folie

Anvendes til indvendig beklædning af motorrum, maskin-fæstmønstre, støjkabiner, el-styretavler, paneler, indlæg i emballage m.m.

Self-adhesive foam without foil

This is used for interior sheathing of engine compartment, machine guards, noise cabins, electrical control panels, panels and inserts in packaging with more.

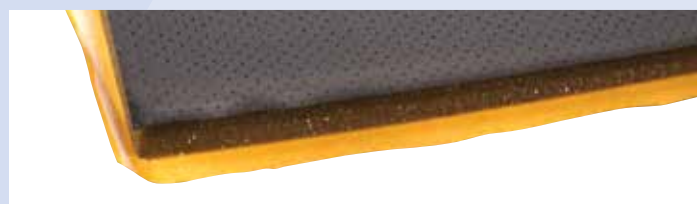
Selvklæbende skum med PVC-folie

Benyttes, alt afhængig af folieafdækning, til beklædning i førerkabiner, motorrum, kompressorer, generatorer, ventilatorer, turbiner, pumper og lignende.

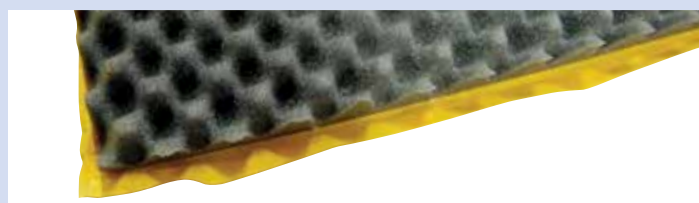
Self-adhesive foam with PVC foil Depending on the foil covers this is used for sheathing in cabs, engine compartment, compressors, generators, fans, turbines, pumps or the like.



| Art. | Overflade / Surface | Dimension (mm) |
|---------|---------------------|--------------------|
| 48.621 | Plan / Plane | 10 x 1.200 x 1.500 |
| 48.622 | Plan / Plane | 20 x 1.200 x 1.500 |
| 48.622X | Plan / Plane | 30 x 1.200 x 1.500 |



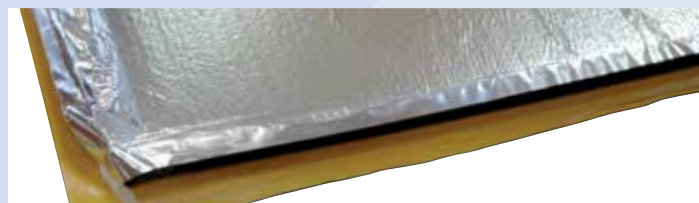
| Art. | Farve / Color | Overflade / Surface | Dimension (mm) |
|---------|---------------|---------------------|--------------------|
| 48.605X | Sort / Black | 2% perforated | 10 x 1.200 x 1.500 |
| 48.605 | Sort / Black | 2% perforated | 20 x 1.200 x 1.500 |
| 48.605Y | Sort / Black | 2% perforated | 30 x 1.200 x 1.500 |



| Art. | Overflade / Surface | Dimension (mm) |
|---------|----------------------|-------------------------|
| 48.623 | Æggebakke / Egg tray | 30 / 15 x 1200 x 1500 |
| 48.624 | Æggebakke / Egg tray | 40 / 20 x 1200 x 1500 |
| 48.623X | Æggebakke / Egg tray | 30 / 15 x 1.200 x 2.000 |



| Art. | Farve / Color | Overflade / Surface | Dimension (mm) |
|--------|---------------|--|--------------------|
| 48.451 | Grå / Grey | 2 % perf. / pap 2 % perf. / cardcoard | 10 x 1.000 x 1.500 |
| 48.452 | Grå / Grey | 2 % perf. / pap 2 % perf. / cardcoard | 20 x 1.000 x 1.500 |



| Art. | Color | Surface | Dimension (mm) |
|--------|-------|------------|--------------------|
| 48.608 | Alu. | Plane 100% | 20 x 1.200 x 1.500 |
| 48.609 | Alu. | Plane 100% | 30 x 1.200 x 1.500 |



| Art. | Color | Surface | Dimension (mm) |
|-----------|-------|----------------|--------------------|
| 48.605B * | Brown | 2 % perforated | 20 x 1.200 x 1.500 |

Min. order: 10 pcs.

Lydisolering / Soundproofing

Soundproofing / Lyddæmpning

Lyddæmpningsmaterialer er typisk lavet af hårdt og tungt materiale.

Anvendelsesmulighederne kan typisk være dæmpning af store pladearealer, bundplader i biler/maskiner, dørsider og andre steder hvor der kan opstå resonans.

Soundproofing materials are typically made of hard and heavy material.

The field of application can typically be damping of large plate areas, bottom plates in cars / machinery, doors and other places where there may be resonance.

Bitumenplader er kunststofbasis

Bitumen plates are based on synthetic material



| Art. | Surface | Pack | Dimension (mm) |
|---------|----------|-------|----------------|
| 48.544A | Adhesive | 4 pk. | 500 x 500 x 3 |
| 48.542 | Adhesive | 6 pk. | 500 x 250 |



| Art. | Surface | Pack | Thickness (mm) | Dimension (mm) |
|--------|----------|------|----------------|----------------|
| 48.442 | Adhesive | 1 pc | 1,7 | 500 x 1.050 |



| Art. | Surface | Pack | Thickness (mm) | Dimension (mm) |
|--------|----------|------|----------------|----------------|
| 48.612 | Adhesive | 1 pc | 3 | 750 x 1.200 |



| Varenr. | Thickness (mm) | Dimension (mm) |
|---------|----------------|----------------|
| 48.618 | 10 | 1.250 x 1.500 |

Tilbehør / Accessory

68.4250



Alutape til samling af motorisolerings. 50 mm x 10 m.
Alu tape for the assembly of motor insulation. 50 mm x 10 m.

63.55030



Plastskive Ø50 mm til montering af motorisolerings.
Plastic disc with 50 mm diameter for mounting of motor insulation.



KINA GUMMIPLADER - COMMERCIAL QUALITY

Varene er prisgunstige alternativer til Europa plader. Ikke en erstatning for europæiske kvaliteter.

Hele ruller leveres i plastfolie. Pladerne er et godt alternativ til hovedparten af de gængse opgaver. Anbefales ikke til høj kvalitetspakninger med store krav til tolerancer og mekanisk styrke. Sammenlign evt. de tekniske beskrivelser. Pladerne har større tykkelsestolerancer end de europæiske. Mange andre kvaliteter kan skaffes i større mængder.

CHINA RUBBER SHEETS - COMMERCIAL QUALITY

Excellent alternatives to European sheets at very favourable prices. SHOULD NOT be understood as a substitute for European qualities. The rubber sheets are delivered on rolls wrapped in plastic. The sheets are good alternatives for most common tasks. Cannot be recommended for high-quality seals with high demands on tolerances and mechanical strength. In case of doubt please compare the technical descriptions. The sheets have higher tolerances on thickness than the European ones. Many other qualities are available if large quantities are required.

Gummimåtter / Rubber sheets

Sort prisgunstig gummiplade til almen brug, hvor der ikke stilles større krav til trækstyrke. Bruges til pakninger, mellemlæg m.m.

Black commercial rubber mat for normal use, where there are no specific demands on tensile strength. Useful for seals.

| Art. | Thickness (mm) | Width (mm) | Length (mm) | Insertion |
|--------------|----------------|------------|-------------|-----------|
| 38.400-2 | 2 | 1.400 | 20.000 | 1 |
| 38.400-3 | 3 | 1.400 | 20.000 | 1 |
| 38.400-4 | 4 | 1.400 | 20.000 | 1 |
| 38.400-5 | 5 | 1.400 | 10.000 | 1 |
| 38.400-6/650 | 6 | 650 | 10.000 | 2 |
| 38.400-6 | 6 | 1.400 | 10.000 | 2 |
| 38.400-8 | 8 | 1.400 | 10.000 | 2 |
| 38.400-10 | 10 | 1.400 | 10.000 | 2 |
| 38.400-12 | 12 | 1.400 | 10.000 | 2 |
| 38.400-15 | 15 | 1.400 | 5.000 | 0 |
| 38.400-20 | 20 | 1.400 | 5.000 | 0 |
| 38.400-25 | 25 | 1.400 | 5.000 | 0 |

| Data | |
|---|------------|
| Gummi / Rubber | NR / SBR |
| Farve / Color | Black |
| Kvalitet / Quality | Commercial |
| Hårdhed / Hardness - Shore A | 70 |
| Densitet / Gravity - g/cm ³ | 1,55 |
| Forlængelse / Elongation - % | 200 |
| Arbejdstemperatur / Working temperature - °C | -20 +70 |
| Trækstyrke / Tensile strength - N/mm ² | 4 |

Blød paragummi/naturgummi / Soft para rubber

Rød naturgummiplade. Meget blød, meget elastisk, stor friktion.

Red natural rubber sheet, very soft. Highly elastic, good friction.

| Art. | Thickness (mm) | Width (mm) | Length (mm) | Insertion |
|-----------|----------------|------------|-------------|-----------|
| 38.401-2 | 2 | 1.400 | 10.000 | 0 |
| 38.401-3 | 3 | 1.400 | 10.000 | 0 |
| 38.401-4 | 4 | 1.400 | 10.000 | 0 |
| 38.401-5 | 5 | 1.400 | 10.000 | 0 |
| 38.401-6 | 6 | 1.400 | 10.000 | 0 |
| 38.401-10 | 10 | 1.400 | 10.000 | 0 |
| 38.401-15 | 15 | 14.000 | 5.000 | 0 |
| 38.401-20 | 20 | 14.000 | 5.000 | 0 |

| Data | |
|---|------------|
| Gummi / Rubber | Natur |
| Farve / Color | Rød / Red |
| Kvalitet / Quality | Commercial |
| Hårdhed / Hardness - Shore A | 40 |
| Densitet / Gravity - g/cm ³ | 1,25 |
| Forlængelse / Elongation - % | 550 |
| Arbejdstemperatur / Working temperature - °C | -20 +90 |
| Trækstyrke / Tensile strength - N/mm ² | 18 |

Kinagummiplader / Rubber sheets from China

EPDM Gummi Sort / Black

Sort EPDM gummi, meget god ozon- og vejrbestandighed. God temperaturbestandighed.

| Art. | Thickness (mm) | Width (mm) | Length (mm) | Insertion |
|------------|----------------|------------|-------------|-----------|
| 38.402-0,5 | 0,5 | 1.200 | 10.000 | 0 |
| 38.402-1X | 1 | 1.400 | 20.000 | 0 |
| 38.402-2X | 2 | 1.400 | 10.000 | 0 |
| 38.402-3X | 3 | 1.400 | 10.000 | 0 |
| 38.402-4X | 4 | 1.400 | 10.000 | 0 |
| 38.402-5X | 5 | 1.400 | 10.000 | 0 |

Black EPDM rubber with high resistance to ozon and climate. Very resistant to cold and hot applications.

| Data | |
|---|--------------|
| Gummi / Rubber | EPDM |
| Farve / Color | Sort / Black |
| Kvalitet / Quality | Commercial |
| Hårdhed / Hardness - Shore A | 70 |
| Densitet / Gravity - g/cm ³ | 1,30 |
| Forlængelse / Elongation - % | 300 |
| Arbejdstemperatur / Working temperature - °C | -40 +100 |
| Trækstyrke / Tensile strength - N/mm ² | 6 - 7 |

CR / Chloroprene Sort / Black

Sort CR gummiplade god vejrvind- og ozonbestandighed, egnet hvor der ikke stilles krav til træk/rivstyrke. Betinget oliebestandig.

| Art. | Thickness (mm) | Width (mm) | Length (mm) | Insertion |
|----------|----------------|------------|-------------|-----------|
| 38.403-2 | 2 | 1.400 | 20.000 | 0 |
| 38.403-3 | 3 | 1.400 | 20.000 | 0 |
| 38.403-4 | 4 | 1.400 | 20.000 | 0 |
| 38.403-5 | 5 | 1.400 | 10.000 | 0 |
| 38.403-6 | 6 | 1.400 | 10.000 | 0 |
| 38.403-8 | 8 | 1.400 | 10.000 | 0 |

Black CR rubber plate, good climate resistance, used where there are no specific demands to tensile strength. Conditional oil resistance.

| Data | |
|---|--------------|
| Gummi / Rubber | CR |
| Farve / Color | Sort / Black |
| Kvalitet / Quality | Commercial |
| Hårdhed / Hardness - Shore A | 65 |
| Densitet / Gravity - g/cm ³ | 1,55 |
| Forlængelse / Elongation - % | 280 |
| Arbejdstemperatur / Working temperature - °C | -40 +90 |
| Trækstyrke / Tensile strength - N/mm ² | 3,5 |

NBR / NITRIL - Sort / Black

Sort prisgunstig nitril med gode mekaniske egenskaber. Egnet til alle alfatiske og aromatiske olier, benzin.

| Art. | Thickness (mm) | Width (mm) | Length (mm) | Insertion |
|-------------|----------------|------------|-------------|-----------|
| 38.404-2 | 2 | 1.400 | 20.000 | 0 |
| 38.404-3 | 3 | 1.400 | 20.000 | 0 |
| 38.404-4 | 4 | 1.400 | 20.000 | 0 |
| 38.404-5 | 5 | 1.400 | 10.000 | 0 |
| 38.404-6 | 6 | 1.400 | 10.000 | 0 |
| 38.404-8 | 8 | 1.400 | 10.000 | 0 |
| 38.404-10 | 10 | 1.400 | 10.000 | 0 |
| 38.404-12 | 12 | 1.400 | 5.000 | 0 |
| 38.404-15 | 15 | 1.400 | 5.000 | 0 |
| 38.404-20 * | 20 | 1.400 | 5.000 | 0 |

Black commercial nitrile with good mechanical properties. Recommended for alfatric and aromatic oils, petrol.

| Data | |
|---|------------|
| Hårdhed / Hardness - Shore A | 70 |
| Densitet / Density - g/cm ³ | 1,49 |
| Kvalitet / Quality | Commercial |
| Forlængelse / Elongation - % | 330 |
| Arbejdstemperatur / Working temperature - °C | -30 +70 |
| Trækstyrke / Tensile strength - N/mm ² | 10 |

Slid-gummi / Wearing rubber - Sort / Black

Slidgummi med høj træk/rivstyrke. Egnet til alle stærkt slidende applikationer, grusgrave, sandblæsekabiner

| Art. | Thickness (mm) | Width (mm) | Length (mm) | Insertion |
|--------------|----------------|------------|-------------|-----------|
| 38.405-6 | 6 | 1.400 | 10.000 | 0 |
| 38.405-8 | 8 | 1.400 | 10.000 | 0 |
| 38.405-10 | 10 | 1.400 | 10.000 | 0 |
| 38.405-10X * | 10 | 2.000 | 10.000 | 0 |
| 38.405-15 | 15 | 1.400 | 10.000 | 0 |
| 38.405-20 * | 20 | 1.400 | 5.000 | 0 |
| 38.405-40 * | 40 | 1.200 | 7.000 | 0 |

Wearing/abrasion rubber with high tensile strength. Recommended for wearing application, gravel pits, sandblasting.

| Data | |
|---|---------|
| Hårdhed / Hardness - Shore A | 60 |
| Densitet / Density - g/cm ³ | 1,30 |
| Forlængelse / Elongation - % | 400 |
| Arbejdstemperatur / Working temperature - °C | -30 +70 |
| Trækstyrke / Tensile strength - N/mm ² | 15 |

Kinagummiplader / Rubber sheets from China

Viton-gummi

| Art. | Thickness (mm) | Width (mm) | Length (mm) | Insertion |
|------------|----------------|------------|-------------|-----------|
| 38.429-2 * | 2 | 1.200 | 10.000 | 0 |

Min. order: 12 m²

| Data | |
|---|-----|
| Hårdhed / Hardness - Shore A | 70 |
| Densitet / Density - g/cm ³ | - |
| Forlængelse / Elongation - % | 250 |
| Arbejdtemperatur / Working temperature - °C | - |
| Trækstyrke / Tensile strength - N/mm ² | 7 |

Pyramide måtte

NR / SBR = Natur / SBR

Måtte til industrigulve og maskinområder, varehuse, trafikerede områder, skridsikker overflade.

Recommended for high traffic areas such as metro, airports, supermarkets, lifts, buses, trains, trucks, boats.



| Art. | Thickness (mm) | Width (mm) | Length (mm) | Insertion | Quality |
|--------|----------------|------------|-------------|-----------|------------|
| 38.432 | 3 | 1.200 | 10.000 | 0 | Commercial |

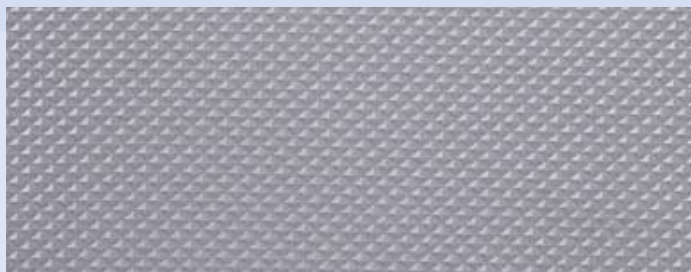
| Data | NR / SBR Commercial |
|---|---------------------|
| Hårdhed / Hardness - Shore A | 70 |
| Densitet / Density - g/cm ³ | 1,5 |
| Forlængelse / Elongation - % | 200 |
| Arbejdtemperatur / Working temperature - °C | -20 +70 |
| Trækstyrke / Tensile strength - N/mm ² | 3 |

Rice måtte

NR / SBR = Natur / SBR

Måtte til industrigulve og maskinområder, varehuse, trafikerede områder, skridsikker overflade.

Recommended for high traffic areas such as metro, airports, supermarkets, lifts, buses, trains, trucks, boats.



| Art. | Thickness (mm) | Width (mm) | Length (mm) | Insertion | Quality |
|--------|----------------|------------|-------------|-----------|------------|
| 38.433 | 5 | 1.200 | 10.000 | 0 | Commercial |

| Data | NR / SBR Commercial |
|---|---------------------|
| Hårdhed / Hardness - Shore A | 70 |
| Densitet / Density - g/cm ³ | 1,5 |
| Forlængelse / Elongation - % | 200 |
| Arbejdtemperatur / Working temperature - °C | -20 +70 |
| Trækstyrke / Tensile strength - N/mm ² | 3 |

Kinagummiplader / Rubber sheets from China

Knopmätte / Studded Flooring

Knopmätte, anbefales til trafikerede arealer, metro, lufthavne, supermarkeder, elevatorer, busser, toge, lastbiler, både m.m.

Studded flooring, recommended for high traffic areas such as metro, airports, supermarkets, lifts, buses, trains, trucks, boats.



| Art. | Thickness (mm) | Width (mm) | Length (mm) | Insertion | Color |
|------------|----------------|------------|-------------|-----------|-------|
| 38.427-3C | 3,5 | 1.200 | 10.000 | 0 | Black |
| 38.427-3GC | 3,5 | 1.200 | 10.000 | 0 | Grey |

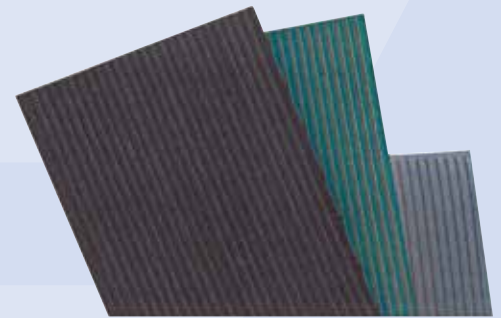
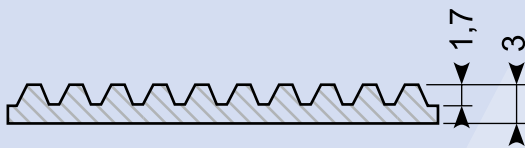
| Data | Black | Grey |
|--|------------|------------|
| Hårdhed / Hardness - Shore A | 65 - 70 | 65 - 70 |
| Densitet / Density - g/cm ³ | 1,5 | 1,6 |
| Kvalitet SBR / Quality SBR | Commercial | Commercial |
| Forlængelse / Elongation - % | 150 | 150 |
| Arbejdstemperatur / Working temperature - °C | -20 +70 | -20 +70 |
| Brudstyrke / Tear resistance - N/mm ² | 3 | 3 |

NR/SBR - Sort / Black - Grå / Grey

** = sort / black - 100% virgin quality SBR
Lugtfri / non-smelling

Finnriflet gummiplade, skridsikker plade til kabiner, arbejdsborde, hylder, gangarealer, køretøjer, sportsaktiviteter, udstillinger.

Fine-ribbed rubber mat, non-slip coverings for cabins, working benches, shelves, corridors, vehicles, sporting facilities, exhibition floors.



| Art. | Thickness (mm) | Width (mm) | Length (mm) | Insertion | Color |
|--------------|----------------|------------|-------------|-----------|-------|
| 38.407-3X ** | 3 | 1200 | 20000 | 0 | Black |
| 38.407-3 ** | 3 | 1400 | 20000 | 0 | Black |
| 38.407-3C | 3 | 1400 | 20000 | 0 | Black |
| 38.407-3G | 3 | 1400 | 20000 | 0 | Grey |
| 38.407-3XL | 3,5 | 1.800 | 10.000 | 0 | Black |

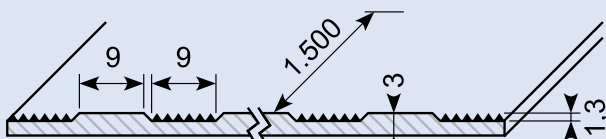
| Data | 38.407-3C | ** |
|---|-----------|---------|
| Hårdhed / Hardness - Shore A | 70 | 70 |
| Densitet / Density - g/cm ³ | 1,6 | 1,6 |
| Forlængelse / Elongation - % | 280 | 280 |
| Arbejdstemperatur / Working temperature - °C | -10 +70 | -20 +70 |
| Trækstyrke / Tensile strength - N/mm ² | 3,5 | 5 |

Busmätte / Bus mats

NR / SBR = Natur / SBR

Mellemriflet plade, egnet til gulv og vægbeklædning til busser, både, dyretransport, værksteder mm.

Medium-ribbed mat, recommended for floors and walls for buses, boats, animal transport, work shops.



| Art. | Thickness (mm) | Width (mm) | Length (mm) | Insertion |
|---------|----------------|------------|-------------|-----------|
| 38.418 | 3 | 1.500 | 15.000 | 0 |
| 38.418N | 3 | 1.500 | 15.000 | 0 |

| Data | 38.418 NR / SBR | 38.418N NBR |
|---|-----------------|-------------|
| Hårdhed / Hardness - Shore A | 70 | 70 |
| Densitet / Density - g/cm ³ | 1,6 | 1,45 |
| Kvalitet / Quality | Commercial | Commercial |
| Forlængelse / Elongation - % | 280 | 250 |
| Arbejdstemperatur / Working temperature - °C | -10 +70 | -10 +70 |
| Trækstyrke / Tensile strength - N/mm ² | 3,5 | 6 |

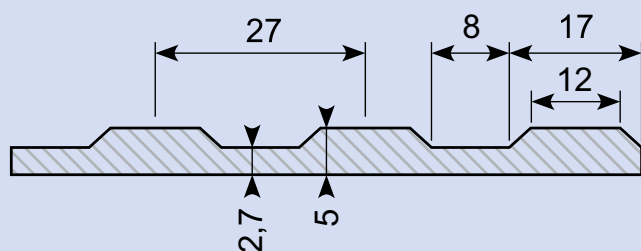
Kinagummiplader / Rubber sheets from China

Busmåtte / Bus mats

NR / SBR = Natur / SBR

Bredrifflet måtte, egnet til gulv og vægbeklædning til busser, både, dyretransport, værksteder mm.

Wide-ribbed mat, recommended for floors and walls for buses, boats, animal transport, work shops.



| Art. | Thickness (mm) | Width (mm) | Length (mm) | Insertion | Quality |
|---------|----------------|------------|-------------|-----------|------------|
| 38.434A | 5 | 1.200 | 10.000 | 0 | Commercial |



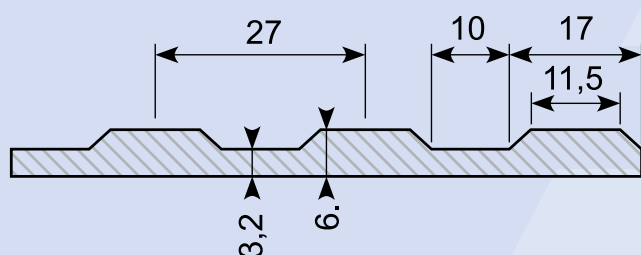
| Data | NR / SBR Commercial |
|---|---------------------|
| Hårdhed / Hardness - Shore A | 65 |
| Densitet / Density - g/cm ³ | 1,5 |
| Forlængelse / Elongation - % | 200 |
| Arbejdstemperatur / Working temperature - °C | -25 +70 |
| Trækstyrke / Tensile strength - N/mm ² | 3 |

Busmåtte / Bus mats

NR / SBR = Natur / SBR

Bredrifflet måtte, egnet til gulv og vægbeklædning til busser, både, dyretransport, værksteder mm.

Wide-ribbed mat, recommended for floors and walls for buses, boats, animal transport, work shops.



| Art. | Thickness (mm) | Width (mm) | Length (mm) | Insertion | Quality |
|--------|----------------|------------|-------------|-----------|------------|
| 38.434 | 6 | 1.200 | 10.000 | 0 | Commercial |



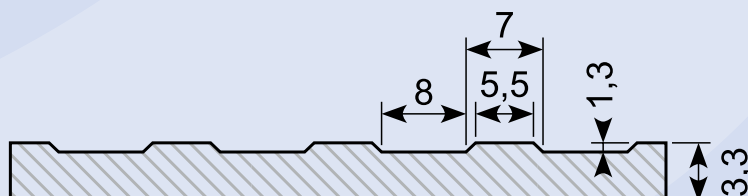
| Data | NR / SBR Commercial |
|---|---------------------|
| Hårdhed / Hardness - Shore A | 70 |
| Densitet / Density - g/cm ³ | 1,5 |
| Forlængelse / Elongation - % | 200 |
| Arbejdstemperatur / Working temperature - °C | -20 +70 |
| Trækstyrke / Tensile strength - N/mm ² | 3 |

Busmåtte / Bus mats

NR / SBR = Natur / SBR

Light-ribbed XL måtte, egnet til gulv og vægbeklædning til busser, både, dyretransport, værksteder mm.

Light-ribbed XL mat, recommended for floors and walls for buses, boats, animal transport, work shops.



| Art. | Thickness (mm) | Width (mm) | Length (mm) | Insertion | Quality |
|---------|----------------|------------|-------------|-----------|------------|
| 38.419C | 3 (3,3) | 1.400 | 20.000 | 0 | Commercial |
| 38.435C | 5 | 1.600 | 10.000 | 0 | Commercial |



| Data | NR / SBR Commercial |
|---|---------------------|
| Hårdhed / Hardness - Shore A | 65 |
| Densitet / Density - g/cm ³ | 1,5 |
| Forlængelse / Elongation - % | 200 |
| Arbejdstemperatur / Working temperature - °C | -25 +70 |
| Trækstyrke / Tensile strength - N/mm ² | 3 |

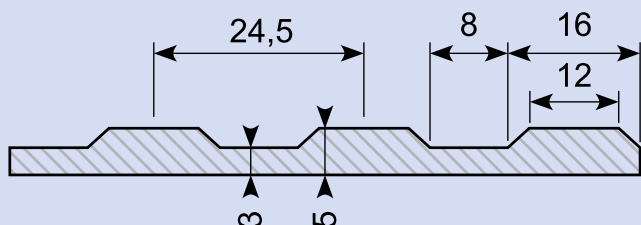
Kinagummiplader / Rubber sheets from China

Busmåtte / Bus mats

NR / SBR = Natur / SBR

Bredrifflet måtte standard, egnet til gulv og vægbeklædning til busser, både, dyretransport, værksteder mm.

Wide-ribbed mat standard, recommended for floors and walls for buses, boats, animal transport, work shops.



| Art. | Thickness (mm) | Width (mm) | Length (mm) | Insertion | Quality |
|----------|----------------|------------|-------------|-----------|------------|
| 38.420CX | 5 | 2.000 | 10.000 | 0 | Commercial |
| 38.420X | 5 | 2.000 | 10.000 | 0 | New rubber |
| 38.420XL | 5 | 2.000 | 20.000 | 0 | New rubber |



| Data | NR / SBR Commercial | NR / SBR New rubber |
|---|---------------------|---------------------|
| Hårdhed / Hardness - Shore A | 65 | 65 |
| Densitet / Density - g/cm ³ | 1,45 | 1,45 |
| Forlængelse / Elongation - % | 150 | 280 |
| Arbejdtemperatur / Working temperature - °C | -30 +100 | -30 +100 |
| Trækstyrke / Tensile strength - N/mm ² | 3 | 5 |

NR/SBR = Natur / SBR

New rubber = No regenerated rubber used. Lugtfri / non smelling
C = commercial quality

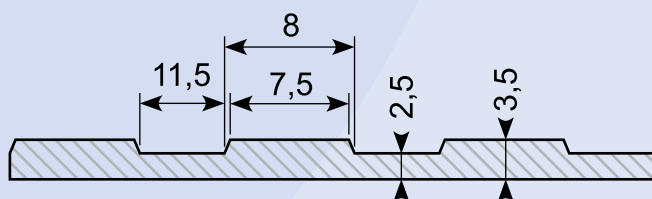
Busmåtte / Bus mats

NR / SBR = Natur / SBR

Medium-ribbed måtte, egnet til gulv og vægbeklædning til busser, både, dyretransport, værksteder mm.

Medium-ribbed mat, recommended for floors and walls for buses, boats, animal transport, work shops.

Commercial



| Art. | Thickness (mm) | Width (mm) | Length (mm) | Insertion | Quality |
|---------|----------------|------------|-------------|-----------|------------|
| 38.419A | 3,5 | 2.000 | 10.000 | 0 | New rubber |
| 38.436C | 5 | 2.000 | 10.000 | 0 | Commercial |



| Data | NR / SBR Commercial | NR / SBR New rubber |
|---|---------------------|---------------------|
| Hårdhed / Hardness - Shore A | 65 | 65 |
| Densitet / Density - g/cm ³ | 1,45 | 1,45 |
| Forlængelse / Elongation - % | 150% | 280% |
| Arbejdtemperatur / Working temperature - °C | -30 +100 | -30 +100 |
| Trækstyrke / Tensile strength - N/mm ² | 3 | 5 |

Kinagummiplader / Rubber sheets from China

Dørkmatte / Checker mat

Dørkmatte til industrigulve og maskinområder, varehuse, trafikerede områder, skridsikker overflade.

Recommended for high traffic areas such as metro, airports, supermarkets, lifts, buses, trains, trucks, boats.

| Art. | Thick-ness (mm) | Width (mm) | Length (mm) | Inser-tion | Quality |
|------------|-----------------|------------|-------------|------------|---------------|
| 38.425-3C | 3 | 1.400 | 10.000 | 0 | Commercial * |
| 38.425-5C | 5 | 1.400 | 10.000 | 0 | Commercial * |
| 38.425N-3 | 3 | 1.400 | 10.000 | 0 | NBR |
| 38.425N-5 | 5 | 1.400 | 10.000 | 0 | NBR |
| 38.426-3CX | 3 | 1.600 | 10.000 | 0 | Commercial * |
| 38.426-3C | 3 | 2.000 | 10.000 | 0 | Commercial ** |
| 38.426-5CX | 5 | 1.600 | 10.000 | 0 | Commercial * |
| 38.426-5C | 5 | 2.000 | 10.000 | 0 | Commercial ** |
| 38.426-8C | 8 | 2.000 | 10.000 | 0 | Commercial * |

NR/SBR = Natur / SBR

NBR = Oliebestandig / oil resistant

New rubber = No regenerated rubber used. Lugtfri / non smelling

| Art. | Thick-ness (mm) | Width (mm) | Length (mm) | Inser-tion | Quality |
|----------|-----------------|------------|-------------|------------|---------------|
| 38.425-3 | 3 | 1.400 | 10.000 | 0 | New rubber * |
| 38.425-5 | 5 | 1.400 | 10.000 | 0 | New rubber * |
| 38.426-3 | 3 | 2.000 | 10.000 | 0 | New rubber ** |
| 38.426-5 | 5 | 2.000 | 10.000 | 0 | New rubber ** |

NR/SBR = Natur / SBR

NBR = Oliebestandig / oil resistant

New rubber = No regenerated rubber used. Lugtfri / non smelling



| Data | NR / SBR Commercial * | NR / SBR Commercial ** | NBR |
|--|-----------------------|------------------------|---------|
| Hårdhed / Hardness - Shore A | 65 | 70 | 70 |
| Densitet / Density - g/cm ³ | 1,5 | 1,5 | 1,45 |
| Forlængelse / Elongation - % | 250 | 180 | 250 |
| Arbejdstemperatur / Working temperature - °C | -10 +70 | -10 +70 | -10 +70 |
| Trækstyrke / Tensile strength - N/m ² | 3 | 3 | 6 |

| Data | NR / SBR New rubber * | NR / SBR New rubber ** |
|---|-----------------------|------------------------|
| Hårdhed / Hardness - Shore A | 70 | 65 |
| Densitet / Density - g/cm ³ | 1,6 | 1,35 |
| Forlængelse / Elongation - % | 350 | 250 |
| Arbejdstemperatur / Working temperature - °C | -10 +70 | -10 +70 |
| Trækstyrke / Tensile strength - N/mm ² | 5 | 5 |

Diamond plate

NR / SBR = Natur / SBR

Matte til industrigulve og maskinområder, varehuse, trafikerede områder, skridsikker overflade.

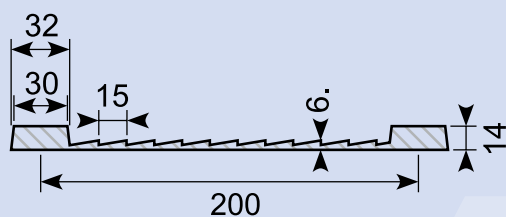
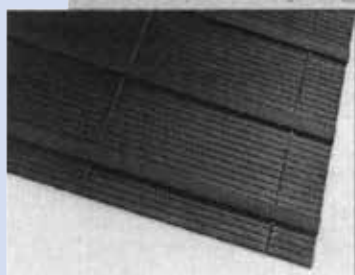
Recommended for high traffic areas such as metro, airports, supermarkets, lifts, buses, trains, trucks, boats.



| Art. | Thickness (mm) | Width (mm) | Length (mm) | Insertion | Quality |
|----------|----------------|------------|-------------|-----------|------------|
| 38.431 | 3 | 1.400 | 10.000 | 0 | Commercial |
| 38.431-3 | 3 | 1.800 | 10.000 | 0 | PAK Free |
| 38.431-5 | 5 | 1.800 | 10.000 | 0 | PAK Free |

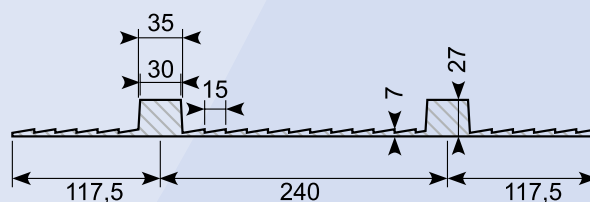
| Data | NR / SBR Commercial | PAK Free |
|---|---------------------|----------|
| Hårdhed / Hardness - Shore A | 70 | 65 |
| Densitet / Density - g/cm ³ | 1,5 | 1,4 |
| Forlængelse / Elongation - % | 200 | 200 |
| Arbejdstemperatur / Working temperature - °C | -20 +70 | -20 +70 |
| Trækstyrke / Tensile strength - N/mm ² | 3 | 3 |

Rampemåtte / Rear Board Metting



SBR - Sort / Black - Commercial

| Art. | Thickness (mm) | Width (mm) | Length (mm) |
|---------|----------------|------------|-------------|
| 37.250X | 6/14 | 1.750 | 1.550 |



SBR - Sort / Black - Commercial

| Art. | Thickness (mm) | Width (mm) | Length (mm) |
|---------|----------------|------------|-------------|
| 37.251X | | 2.400 | 1.200 |

| Data | 37.250X | 37.251 |
|---|---------|---------|
| Hårdhed / Hardness - Shore A | SBR 70 | SBR 65 |
| Densitet / Gravity - g/cm ³ | 1,5 | 1,55 |
| Forlængelse / Elongation - % | 250 | 200 |
| Arbejdstemperatur / Working temperature - °C | -40 +80 | -20 +75 |
| Trækstyrke / Tensile strength - N/mm ² | 4 | 4,5 |

Gummimåtter / Rubber mats

Ergo Solid



Ergo Solid - tegn på ergonomisk indsigt

Ergo Solid er en nitrilgummimåtte med fantastiske gode aflastnings-egenskaber og slidstyrke. Pladerne kan sammensættes fleksibelt uden anvendelse af samlingsstykker. Velegnet til arbejdspladser i industrien med enten tørt eller fedtet miljø.

- Tåler kontakt med varmt værktøj
- oliebestandig
- Ryg og ben aflastes effektivt, hvilket resulterer i høj produktivitet og lavere sygefravær
- Affasede kanter minimerer risikoen for at snuble - findes ligeledes i gul for markering af arbejdsområde m.v.

Ergo Solid - shows ergonomical knowledge

Ergo Solid is a wear-resistant nitril rubber mat with excellent strain relief. The sheets may be joined together without the use of fittings. Suitable for workplaces in the industrial field - for dry or greasy environments.

- Tolerates contact with hot tools
- Oil resistant
- Bag and legs are effectively relieved resulting in a high productivity and less absence due to sickness.
- Chamfered edges keep the risk of stumbling to a minimum
- Available in yellow to mark the work area etc.

| Art. | Name | Color | Size (m) | Height (mm) | Weight (kg) |
|--------------|--------------------|-------|-------------|-------------|-------------|
| 38.9726230 | Ergo Solid | Sort | 0,91 x 0,91 | 19 | 8,2 |
| 38.9730030* | Skrå kant - male | Sort | 0,08 x 0,91 | | 1 |
| 38.9750030 | Koppling | Sort | 0,03 x 0,23 | | 0,1 |
| 38.9730030S* | Skrå kant - female | | | | |

* Ved kant rundt om hele måtten. Bruges 2 han + 2 hun skråkanter. Grundmåtten har udvendige tappe på 2 sider.

* At the edge around the entire mat. Use 2 male + 2 female edges. The basic mat has exterior pins on 2 sides.

Ergo Bubble

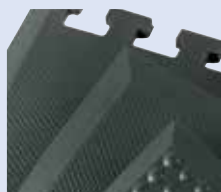


Boblemåtte

Ergo Bubble er en traditionel boblemåtte fremstillet af skum-polyuretan. Materialet har unikke elastiske egenskaber som sammen med bulerne i overfladen får benmusklerne til at arbejde og giver en god aflastning - samtidig med at den har meget høj slidstyrke. Måtten findes i flere standardstørrelser men kan derudover fremstilles efter dine specialmål. Samtlige Ergo Bubble har affasede kanter for at minimere snublerisikoen.

Er velegnet i alle tørre miljøer.

| Art. | Name | Color | Size (m) | Weight (kg) |
|------------|---------------|--------|-------------|-------------|
| 38.8100110 | Ergo Bubble | Grafit | 0,65 x 0,95 | 3,2 |
| 38.8100310 | Ergo Bubble * | Grafit | 0,65 x 1,8 | 4 |
| 38.8103110 | Ergo Bubble * | Grafit | 0,95 x 1,2 | 4 |



Kan skaffes i oliebestandig NBR /
Obtained in oil resistant NBR
0,65 x 1,4 m
0,95 x 1,5 m
0,95 x 1,8 m

Bubble mat

Ergo Bubble is a traditional bubble mat made from foam-polyurethane. The material has unique elastic properties which, together with the bubbles in the surface, make the leg muscles work and provide excellent strain relief - at the same time the mat is extremely hard-wearing.

Available in several standard sizes - or custom-designed according to your special dimensions. All Ergo Bubble have chamfered edges to reduce the risk of stumbling to a minimum.

Suitable for use in all dry environments.

Gummimåtter / Rubber mats

Ergo Durk



En klassiker til mange arbejdspladser

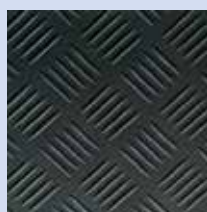
Ergo Durk er en klassisk arbejdspladsmåtte med dørkmønstreret overside i nitrilgummi. Bagsiden er af EPDM-cellegummi med lukkede celler.

Kombinationen af disse miljøvenlige materialer giver en både slidstærk og behagelig måtte at stå på. Desuden yders der 5 års komplet slitagaranti.

Fås i standardmåtte fra rulle eller i specialmål efter tegning, alt med af-fasede kanter.

Ergo Durk ESD beskytter også følsomt elektronik imod statisk elektricitet. Måtten er godkendt i henhold til SP 2472.

| Art. | Name | Color | Size (m) | Weight (kg) |
|---------------|-----------|-------|----------|-------------|
| 38.5017530 ** | Ergo Durk | Sort | 1,4 x 1 | 6,6 |
| 38.5017530 ** | Ergo Durk | Sort | 1,4 x 10 | 66 |



* Måtten har en gummioverside og en underside af EPDM.

* The mat has a rubber top side and a bottom side of EPDM.

A Classic for Many Workplaces

Ergo Durk is a classic workplace mat with a surface patterned like the deck of a ship and the upper side made of nitrile rubber. The back side is made of EPDM cellular rubber with closed cells.

The combination of these environmentally compatible materials provides a both hard-wearing and pleasant mat. Furthermore, there is a five-year guarantee against wear.

Available as a standard mat in a roll or in sheets specially made according to drawing - all with chamfered edges.

Ergo Durk ESD also protects sensitive electronics against static electricity. The mat has been approved acc. to SP 2472.

Ergo Dome



Ergo Dome, god måtte til gunstig pris

Ergo Dome er en slidstærk måtte i naturgummi (SBR).

Den buleformede overflade stimulerer blodcirkulationen hvilket mindsker belastningsskader i ben og ryg.

Ergo dome, good mat at low prices.

Ergo dome is a durable mat of natural rubber (SBR).

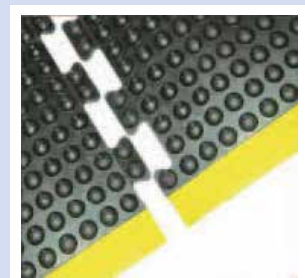
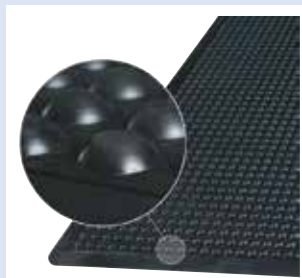
The bulge-shaped surface stimulates blood circulation, which reduces stress injuries in the legs and back.

| Art. | Name | Color | Size (m) | Weight (kg) |
|-----------|-------------------------------|-------|-----------|-------------|
| 38.410200 | Ergo Dome | Sort | 0,6 x 0,9 | 3,2 |
| 38.410201 | Ergo Dome | Sort | 0,9 x 1,2 | 4 |
| 38.410203 | Ergo Dome Puzzle midterstykke | Sort | 0,9 x 1,2 | 4 |
| 38.410202 | Ergo Dome Puzzle, endestykke | Sort | 0,9 x 1,2 | 4 |

Puzzle er med sorte kanter, og det er muligt at samle 2 endestykker til f.eks. 2,4 m

Puzzle is with black borders, and it is possible to assemble two end pieces, for example 2.4 m.

Kan skaffes i oliebestandig NBR /
Obtained in oil resistant NBR
0,6 x 0,9 m
0,9 x 1,2 m



Gummimåtter / Rubber mats

Ergo Ring



Kan skaffes i / Obtained in
0,4 x 0,6 og 0,6 x 0,8



Skridsikker i vådt og tørt

Ergo Ring bortdræner effektivt væde og spildmateriale, hvilket sikrer en skridsikker overflade at stå på. Den åbne ringkonstruktion giver desuden en god aflastning.

- Kan samles, hvilket giver mulighed for store sammenhængende, skridsikre overflader
- Dræner effektivt, ideel ved bearbejdningsmaskiner eller i våde lokaler
- God som grov dørmåtte i entreer
- Naturgummi med den rette hårdhed giver skridsikkerhed både i tørt og vådt miljø

Non-skid in wet and dry environment

Ergo Ring effectively drains off wet and waste material, which ensures a non-skid surface. The open annular construction provides an excellent strain relief.

- May be joined together to large coherent non-skid surfaces
- Drains effectively, ideal for machine tools or in wet premises
- Applicable as a coarse entrance door mat
- Natural rubber with the correct hardness provides skid resistance in both wet and dry environments.

| Art. | Name | Color | Size (m) | Height (mm) | Weight (kg) |
|------------|-------------|-------|-----------|-------------|-------------|
| 38.9117630 | Ergo Ring | Sort | 0,8 x 1,2 | 23 | 11 |
| 38.9117631 | Ergo Ring | Sort | 1 x 1,5 | 23 | 21 |
| 38.9110030 | Samlestykke | Sort | | | |

Ergo Ease



| Art. | Name | Color | Size (m) | Height (mm) | Weight (kg) |
|------------|-----------|-------|-------------|-------------|-------------|
| 38.9716230 | Ergo Ease | Sort | 0,91 x 0,91 | 14 | 8,2 kg |

Kan skaffes i terracottarød / Obtained in terracotta red

Ergo Ease - kongen af aflastning

Ergo Ease er en nitrilgummimåtte med ekstremt gode aflastningsegenskaber og slidstyrke. Pladerne kan sammensættes fleksibelt uden anvendelse af samlingsstykker.

Velegnede til arbejdspladser i industrien med enten tørt eller fedtet miljø.

- Tåler kontakt med varmt værktøj
- Oliebestandig
- Ryg og ben aflastes effektivt, hvilket resulterer i høj produktivitet og lavere sygefravær
- Affasede kanter minimerer risikoen for at snuble - findes ligeledes i gul for markering af arbejdsområde m.v.

Ergo Ease - first-quality strain relief

Ergo Ease is a wear-resistant nitril rubber mat with excellent strain relief. The sheets may be joined together without the use of fittings. Suitable for workplaces in the industrial field in a dry or greasy environment.

Tolerates contact with hot tools

Oil resistant

Back and legs are effectively relieved resulting in a high productivity and less absence due to sickness.

Chamfered edges keep the risk of stumbling to a minimum. Available in yellow to mark the work area etc.

Gummimåtter / Rubber mats

Ergo Classic



Komfort og økonomi i samme måtte

Ergo Classic er den ideelle måtte til den stående arbejdsplads, hvor man også bevæger sig inden for arbejdsfeltet. God skridsikkerhed på den ribbede overflade. Ergo Classic har 3 års fuld slitagegaranti. Nem at tilpasse selv med en almindelig tæppekniv.

Ideal til monteringslinjer m.v.

God skridsikkerhed

Isolerer effektivt imod kulde og vibrationer

God økonomi

Fås ligeledes med farvede kanter for markering af arbejdsområde m.v.

Tykkelse: 10 mm

| Art. | Name | Color | Size (m) | Weight (kg) |
|------------|--------------|-------|-------------|-------------|
| 38.5501110 | Ergo Classic | Grå | 0,61 x 18,3 | 36 kg |
| 38.5501210 | Ergo Classic | Grå | 0,91 x 18,3 | 50 kg |
| 38.5501310 | Ergo Classic | Grå | 1,22 x 18,3 | 65 kg |



Comfort and economy in the same mat

Ergo Classic is the ideal mat for standing work where you move within the working area. The ribbed surface provides skid resistance. There is a full three-year guarantee against wear. Easy to adapt with an ordinary carpet knife.

Ideal for

Non-skid quality

Effective insulation against cold and vibrations

Economical

Is also available with coloured borders for marking the working area etc.

10 mm thick.

Fingertip

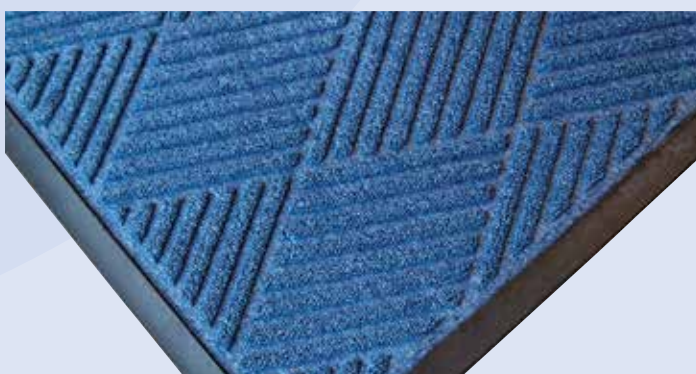


| Art. | Name | Color | Size (m) |
|-----------|-----------|-------|----------|
| 38.345522 | Fingertip | Sort | 0,8 x 1 |

Fingertip gummimåtte med skrå kant.

Fingertip rubber mat with beveled edge.

Smudsmåtter diamond blue / mat diamond blue



| Art. | Color | Size (m) |
|-----------|-------|-----------|
| 38.623750 | Blue | 0,9 x 1,5 |
| 38.623752 | Blue | 0,6 x 0,9 |
| 38.623764 | Blue | 1,2 x 1,8 |

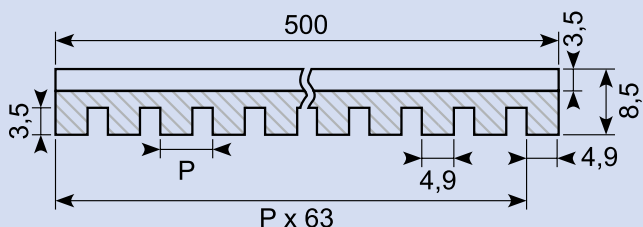
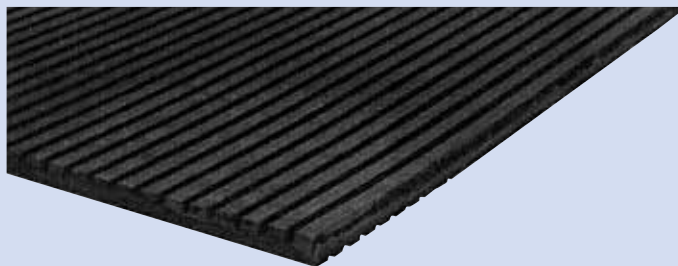
Dørmåtte blå, polypropylen med gummiskråkant. Kan spules med højtryksrensere.

Blue mat, polypropylene with rubber beveled edge. Can be flushed with high-pressure cleaner.

Kan skaffes i grå / Obtained in grey

Gummimåtter / Rubber mats

Vibrationsmatte / Vibration mat

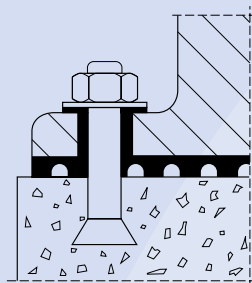


NR/SB

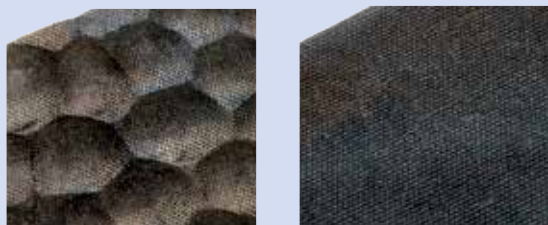
| Art. | Thickness (mm) | Width (mm) | Length (mm) | Insertion |
|--------|----------------|------------|-------------|-----------|
| 37.400 | 8,5 | 500 | 500 | 0 |

Sort, kommerciel gummiplade.
Anvendes mellem maskiner og gulv for at minimere og optage vibrationer.
Riller på begge sider.
Bæreevne 5 kg/cm²

Black commercial rubber plate.
To be used between machines and floor in order to minimize and absorb vibrations. Grooves on both sides.
Carrying capacity of 5 kg/cm².

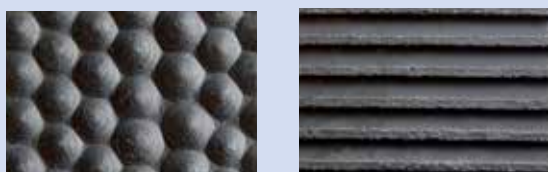


Komåtte / Cow mat (NR / SBR)



| Art. | Width (mm) | Length (mm) | Thickness (mm) | Shore | Density |
|-----------|------------|-------------|----------------|-------|---------|
| 38.440-6 | 2.000 | 30.000 | 6 | 65 | 1,45 |
| 38.440-8 | 2.000 | 30.000 | 8 | 65 | 1,45 |
| 38.440-8X | 1.250 | 10.000 | 8 | 65 | 1,45 |
| 38.440-6A | 1.750 | 21.000 | 6 | 65 | 1,45 |
| 38.440-8A | 1.750 | 21.000 | 8 | 65 | 1,45 |

Komåtte / Cow mat (NR / SBR)



| Art. | Thickness (mm) | Width (mm) | Length (mm) |
|----------|----------------|------------|-------------|
| 37.260 | 10 | 2.000 | 20.000 |
| 37.261 * | 10 | 2.000 | 4.870 |
| 37.262 * | 10 | 2.000 | 6.522 |

37.280



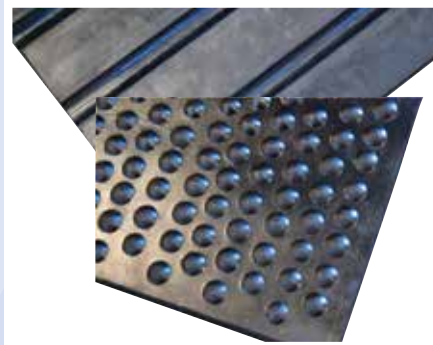
Grisemåtte 1.810 x 1.210 x 30 mm.
Cirkler / hul bund uden indlæg.
Pigs mat 1.810 x 1.210 x 30 mm.
Circles / hollow bottom without insert.

37.263



Komåtte 2.200 x 10.000 x 16 mm. Overflade cirkler u/indlæg. Bund ribbet i længderetning.
Cow mat 2.200 x 10.000 x 16 mm. Surface circles without insert. The bottom ribbed in longitudinal direction.

37.270



Komåtte 1.830 x 1.220 x 17 mm.
Knopper / ribbet bund uden indlæg.
Cow mat 1.830 x 1.220 x 17 mm. Studs / ribbed bottom without insert.

Traileråtte / Trailer mat



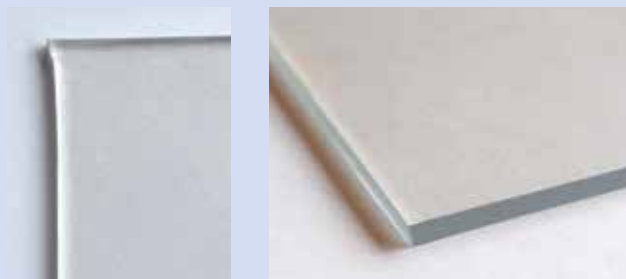
| Data | |
|---|----------|
| Gummi / Rubber | NR / SBR |
| Hårdhed / Hardness - Shore A | 65 |
| Densitet / Density - g/cm ³ | 1,4 |
| Arbejdstemperatur / Working temperature - °C | -25 +70 |
| Trækstyrke / Tensile strength - N/mm ² | 12 |

| Art. | Thickness (mm) | Width (mm) | Length (mm) |
|---------------|----------------|------------|-------------|
| 38.422-1350 | 6 | 1.350 | 21.000 |
| 38.422-1650 | 6 | 1.650 | 21.000 |
| 38.422-1750 * | 6 | 1.750 | 21.000 |
| 38.423-1650 | 8 | 1.650 | 21.000 |
| 38.423-1750 * | 8 | 1.750 | 21.000 |
| 38.424-1800 * | 8 | 1.800 | 21.000 |

* Skaffevare / Special order item
SINDBY PROFILES 5 - 00129-5-k201902

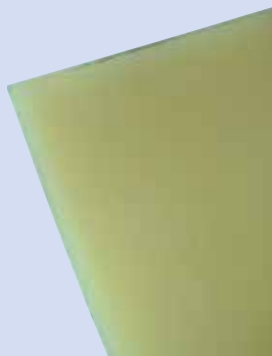
Gummimåtter / Rubber mats

Klar PVC / Transparent PVC



| Art. | Thickness (mm) | Width (mm) | Length (mm) |
|---------------|----------------|------------|-------------|
| 38.449-750 * | 3 | 750 | 20.000 |
| 38.449-1200 | 3 | 1.200 | 20.000 |
| 38.450-760 * | 4 | 760 | 13.000 |
| 38.451-1600 | 5 | 1.600 | 20.000 |
| 38.452-1200 * | 7 | 1.200 | 10.000 |

Polyurethanplader / Polyurethane plates

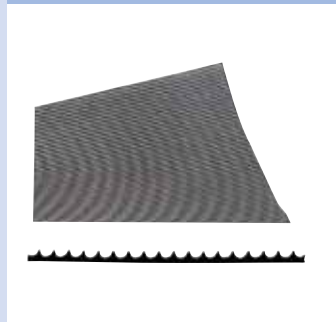


| Art. | Thickness (mm) | Width (mm) | Length (mm) | Stock |
|--------------|----------------|------------|-------------|-------|
| 38.430-5/70 | 5 | 2.000 | 1.000 | X |
| 38.430-5/80 | 5 | 2.000 | 1.000 | X |
| 38.430-8/70 | 8 | 2.000 | 1.000 | X |
| 38.430-8/90 | 8 | 2.000 | 1.000 | X |
| 38.430-10/70 | 10 | 2.000 | 1.000 | X |
| 38.430-10/90 | 10 | 2.000 | 1.000 | X |

Data

| | | | |
|---|----------|----------|----------|
| Hårdhed / Hardness - Shore A | 70 | 80 | 90 |
| Forlængelse / Elongation | 500-600 | 450-500 | 400-450 |
| Arbejdstemperatur / Working temperature - °C | -35 +100 | -35 +100 | -35 +100 |
| Rivstyrke / Tear strength - KN/m | 50 | 50 | 50 |
| Trækstyrke / Tensile strength - N/mm ² | 25 | 30 | 35 |

37.221/1G



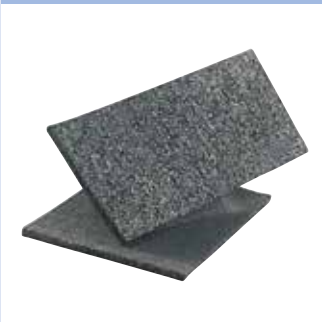
Material: Grey
Size: 1.000 x 10.000 x 3 mm

38.14124 *



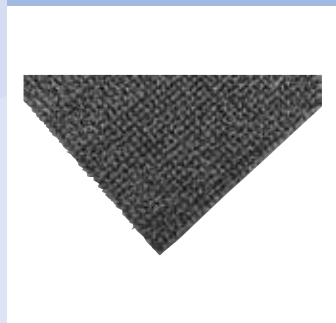
Anti slip plade. Gummigranulat.
Anti slip plate. Rubber granules.
8 x 100 x 200 mm
Min. order: 300

38.14572 *



Anti slip plade. Gummigranulat.
Anti slip plate. Rubber granules.
8 x 500 x 5000 mm
Min. order: 5 m

38.9971010 *



Græsmåtte. Grå
Grass mat. Grey
900 mm x 16 m

38.9971020 *



Græsmåtte. Grøn
Grass mat. Green
900 mm x 16 m

Gummimåtter / Rubber mats



Semperit
Material: NBR / NR-SBR / EPDM

| Art. | Width (mm) | Thickness (mm) | Quality | Color | Insert |
|--------------|------------|----------------|-----------|-------|--------|
| 38.121N * | 1.400 | 1 | NBR | Black | 0 |
| 38.121NX * | 1.400 | 1 | NBR | Black | 0 |
| 38.1215N | 1.400 | 1,5 | NBR | Black | 0 |
| 38.122N * | 1.400 | 2 | NBR | Black | 0 |
| 38.123N * | 1.400 | 3 | NBR | Black | 0 |
| 38.124N * | 1.400 | 4 | NBR | Black | 0 |
| 38.125N * | 1.400 | 5 | NBR | Black | 0 |
| 38.125S * | 1.400 | 5 | NBR | Black | 0 |
| 38.126N * | 1.400 | 6 | NBR | Black | 0 |
| 38.128N * | 1.400 | 8 | NBR | Black | 0 |
| 38.128NH | 1.400 | 8 | NBR | White | 0 |
| 38.128S * | 1.400 | 8 | NBR | Black | 0 |
| 38.130N * | 1.400 | 10 | NBR | Black | 0 |
| 38.132N * | 1.400 | 12 | NBR | Black | 0 |
| 38.135N * | 1.400 | 15 | NBR | Black | 0 |
| 38.139N * | 1.400 | 20 | NBR | Black | 0 |
| 38.1215 | 1.400 | 1,5 | NR / SBR | Black | 1 |
| 38.1215NH * | 1.400 | 1,5 | NR / SBR | White | 1 |
| 38.122 * | 1.400 | 2 | NR / SBR | Black | 1 |
| 38.122A * | 1.400 | 2 | NR / SBR | Black | 2 |
| 38.123 * | 1.400 | 3 | NR / SBR | Black | 1 |
| 38.123X * | 1.400 | 3 | NR / SBR | Black | Smooth |
| 38.124 | 1.400 | 4 | NR / SBR | Black | 1 |
| 38.125 * | 1.400 | 5 | NR / SBR | Black | 1 |
| 38.126 * | 1.400 | 6 | NR / SBR | Black | 2 |
| 38.128 * | 1.400 | 8 | NR / SBR | Black | 2 |
| 38.128SX * | 1.400 | 8 | NBR / SBR | Black | Smooth |
| 38.130 | 1.400 | 10 | NR / SBR | Black | 2 |
| 38.132 * | 1.400 | 12 | NR / SBR | Black | 2 |
| 38.135 * | 1.400 | 15 | NR / SBR | Black | 0 |
| 38.136 * | 1.400 | 20 | NR / SBR | Black | 0 |
| 38.137 * | 1.400 | 25 | NR / SBR | Black | 0 |
| 38.138 * | 1.400 | 30 | NR / SBR | Black | 0 |
| 38.139 * | 1.400 | 30 | NR / SBR | Black | 0 |
| 38.140 * | 1.400 | 50 | NR / SNR | Black | 0 |
| 38.122EPDM * | 1.400 | 2 | EPDM | Black | 0 |
| 38.123EPDM | 1.400 | 3 | EPDM | Black | 0 |



Rubber cork
Material: NR / NBR / NR-SBR

| Art. | Size (mm) | Thickness (mm) | Quality | Min. order (m ²) |
|----------|---------------|----------------|---------|------------------------------|
| 38.201.5 | 1.000 x 1.000 | 1,5 | 1.235 | 100 |
| 38.202 * | 1.000 x 1.000 | 2 | 1.235 | 75 |
| 38.203 * | 1.000 x 1.000 | 3 | 1.235 | 50 |
| 38.205 * | 1.000 x 1.000 | 5 | 1.235 | 30 |

Gummistropper / Rubber straps

50.241NR



T-strap
Material: NR
Length: 150 mm

50.245NR



T-ladder
Material: NR
Length: 160 mm

50.245H



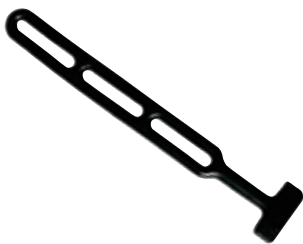
T-ladder
Material: EPDM white
Length: 160 mm

50.242NR



T-strap
Material: NR
Length: 250 mm

50.246NR



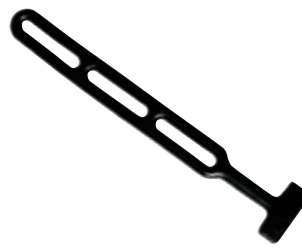
T-ladder
Material: NR
Length: 285 mm

50.265-10



Combi strap
Material: NR
Length: 275 x 25 mm
(10 pcs. package)

50.246-10



T-ladder
Material: NR
Length: 280 x 30 mm
(10 pcs. package)

50.265



Combi strap
Material: EPDM
Length: 280 mm

50.266



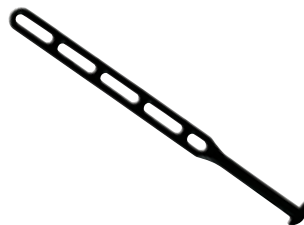
Combi strap
Material: EPDM
Length: 360 mm

50.247-10



Combi strap
Material: NR
Length: 365 x 25 mm
(10 pcs. package)

50.247NR



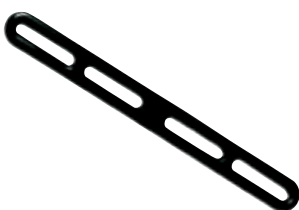
Combi strap
Material: NR
Length: 370 mm

50.275



POP ladder
Material: EPDM
Length: 200 mm

50.244NR



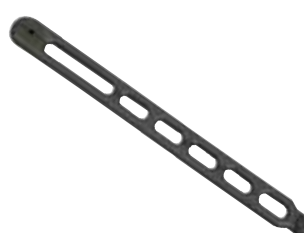
Strap
Material: NR
Length: 260 mm

50.271



Strap
Material: EPDM
Length: 270 mm

50.276



POP ladder
Material: EPDM
Length: 275 mm

50.264-10



Strap
Material: NR
Length: 285 x 30 mm
(10 pcs. package)

Gummistropper / Rubber straps

50.264



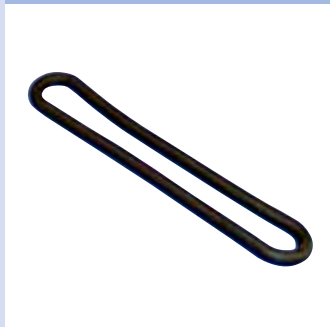
Strap
Material: NR
Length: 290 mm

50.261



Strap
Material: EPDM
Length: 200 mm, Ø 8 mm

50.263



Strap
Material: EPDM
Length: 200 mm, Ø 7 mm

50.263K



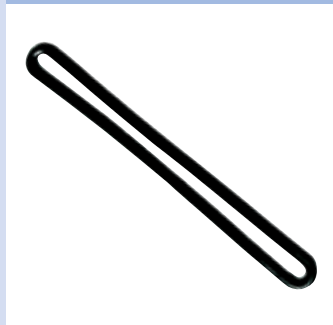
Strap with hook
Material: NR
Length: 200 mm

50.263K-10



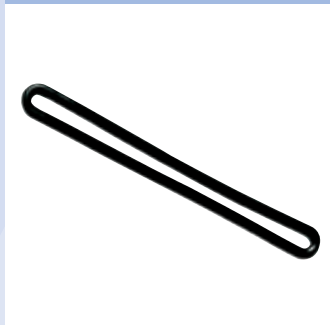
Strap
Material: NR
Length: 204 mm

50.243-10



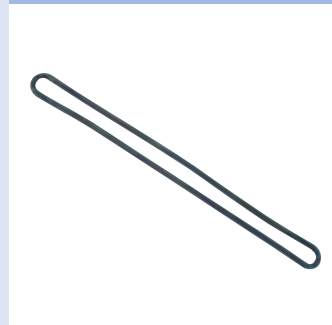
Strap
Material: NR
Length: 253 mm

50.243NR



Strap
Material: NR
Length: 260 mm

50.267NR



Strap
Material: NR
Length: 400 mm

50.267



Strap
Material: EPDM
Length: 400 mm

50.267-10



Strap
Material: NR
Length: 400 mm

50.269



Ring
Material: EPDM
Length: Ø 106 mm / 86 mm

50.13621



Strap with hook and eye
Length: 20 x 490 mm

50.280



Strap with hook and eye
Length: Strap 480 mm
Total 610 mm

50.250



Ladder strap
Material: SBR
Length: 10 m



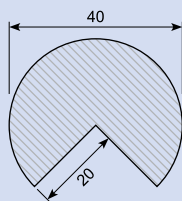
Luggage strap

| Art. | Measure (mm) |
|---------|--------------|
| 79.051 | 600 |
| 79.051A | 700 |
| 79.052 | 900 |
| 79.053 | 1.250 |
| 79.054 | 1.750 |
| 79.055 | 3.000 |

Bumpers / Bumpers

39.BUMPER

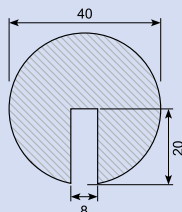
Type A. Sort og gul.
1.000 mm lang.
Selvklæbende.



Type A. Black and yellow.
1.000 mm long.
Adhesive.

39.BUMPERB

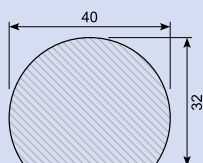
Type B. Sort og gul.
1.000 mm lang.
Selvklæbende.



Type B. Black and yellow.
1.000 mm long.
Adhesive.

39.BUMPERC

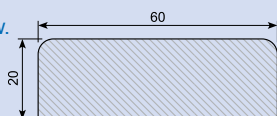
Type C. Sort og gul.
1.000 mm lang.
Selvklæbende.



Type C. Black and yellow.
1.000 mm long.
Adhesive.

39.BUMPERD

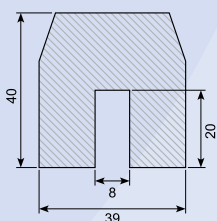
Type D. Sort og gul.
1.000 mm lang.
Selvklæbende.



Type D. Black and yellow.
1.000 mm long.
Adhesive.

39.BUMPERE

Type E. Sort og gul.
1.000 mm lang.
Selvklæbende.

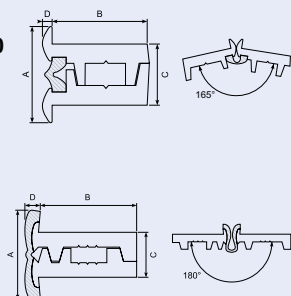


Type E. Black and yellow.
1.000 mm long.
Adhesive.

Centraflex

Centraflex. Vandtæt stanghængsel med polyester-kerne og PVC-flanger. Tillader 180 gr. åbning. Stor styrke og høj elasticitet. Sort finish. Længde: 2000 mm.

Weather-proof continuous hinge with polyester-core and synthetic flanges. 165° opening, 28 mm face. High strength and excellent flexibility. Black finish. Length: 2000 mm.



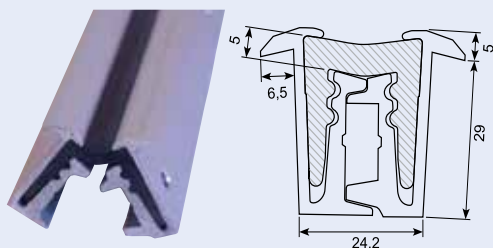
| Art. | A mm | B mm | C mm | D mm | L mm |
|---------|------|------|------|------|-------|
| 20.6020 | 28 | 23 | 16 | 4 | 2.000 |
| 20.6025 | 28 | 23 | 16 | 4 | 2.500 |
| 20.6030 | 28 | 23 | 16 | 4 | 3.000 |

| Art. | A mm | B mm | C mm | D mm | L mm |
|---------|------|------|------|------|-------|
| 20.6120 | 30 | 34 | 16 | 4,5 | 2.000 |
| 20.6125 | 30 | 34 | 16 | 4,5 | 2.500 |
| 20.6130 | 30 | 34 | 16 | 4,5 | 3.000 |

Poliall

Poliall stanghængsel, vandtæt. Med PU kerne og aluminiumsflanger. Tillader 180 gr. åbning. Forboret med 5 mm huller i flange.

Poliall rod hinge, waterproof. With PU core and aluminum flanges. Allows 180 degree opening. Pre drilled with 5 mm holes in flange.

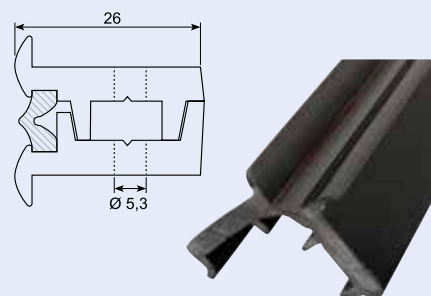


| Art. | B mm | L mm |
|---------------|------|-------|
| 54.261700JX-5 | 29 | 2.200 |
| 54.261700J-5 | 29 | 2.400 |
| 54.261720J-5 | 29 | 2.700 |
| 54.261740J-5 | 29 | 3.000 |
| 54.261760J-5 | 29 | 3.200 |
| 54.261780J-5 | 29 | 4.000 |

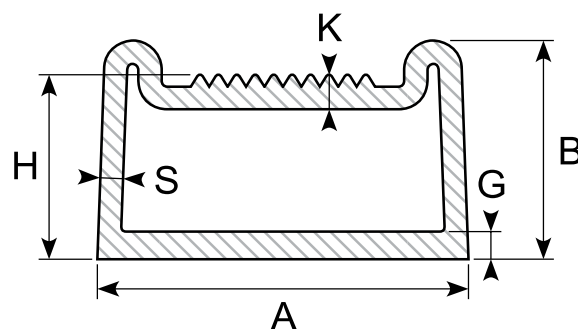
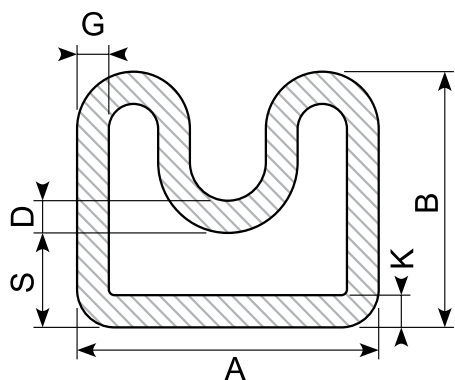
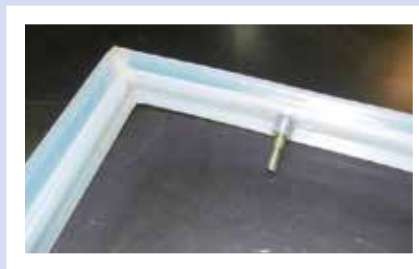
20.13002

Co-extruderet PVC-hængsel. 1.678 mm med Ø 5,3 mm forborede huller. Kun til lette opgaver.

Co-extruded PVC hinge. 1678 mm, Ø 5.3 mm holes pre-drilled holes. Only for light tasks.



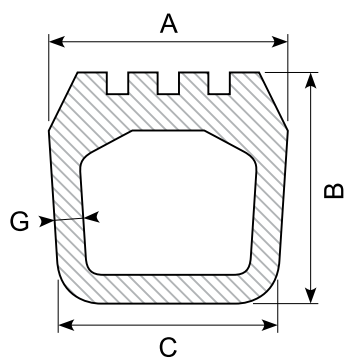
Oppustelige tætninger / Inflatable seals



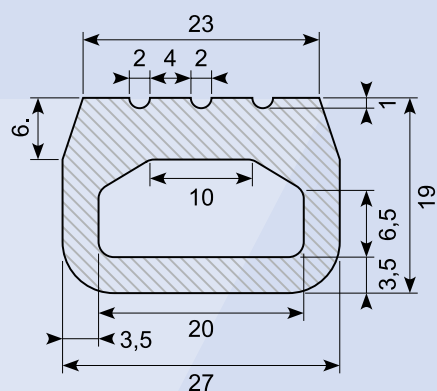
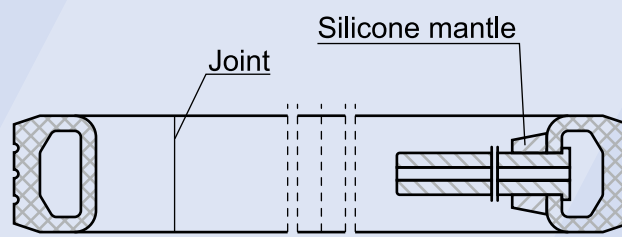
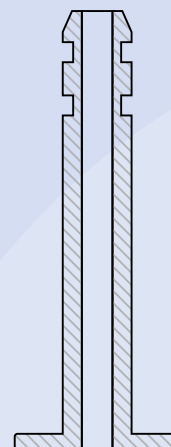
| Art. | A | B | D | G | K | S | Hardness SH A |
|-----------------|------|-------------|-----|-----|-----|------|---------------|
| 30.0192-2819 * | 16 | 14 | 1,8 | 1,8 | 1,8 | 4,9 | 65 |
| 30.0192-3161 * | 18 | 15,5 | 2 | 2 | 2 | 6 | 60 |
| 30.0192-3375 * | 18 | 15,5 | 2 | 2 | 2 | 2 | 60 |
| 30.0192-3877 * | 24 | 20 | 2,5 | 2,5 | 2,5 | 5 | 60 |
| 30.0192-4588 * | 18,5 | 17 | 2 | 2 | 2 | 9 | 60 |
| 30.0192-4633 * | 26 | 20 | 3 | 3 | 3 | 8,2 | 60 |
| 30.0192-4634 * | 35 | 32 | 5 | 5 | 5 | 17,6 | 60 |
| 30.0192-4733 * | 18,7 | 18/ 16,6 | 2 | 2 | 2 | 7,9 | 60 |
| 30.0192-4756 * | 16 | 17 | 1,5 | 1,5 | 1,5 | 10 | 60 |
| 30.0192-4926 * | 27 | 20 | 4 | 4 | 4 | 10 | 60 |
| 30.0192-4947 * | 22 | 16 | 3 | 3 | 3 | 6 | 60 |
| 30.0192-10322 * | 30 | 15 | 3 | 3 | 3 | 3,7 | 60 |
| 30.0192-10680 * | 25,3 | 20 | 2,7 | 2,7 | 2,7 | 7,3 | 60 |
| 30.0192-10927 * | 26,5 | 20 | 3 | 3 | 3 | 9 | 60 |
| 30.0192-10963 * | 17 | 14 | 2 | 2 | 2 | 5 | 60 |
| 30.0192-11007 * | 26 | 20 | 3 | 3 | 3 | 8,5 | 60 |
| 30.0192-11016 * | 46 | 34 | 3 | 3 | 5 | 9 | 60 |
| 30.0192-11484 * | 35 | 34 | 3 | 3 | 3 | 17 | 60 |
| 30.0192-11800 * | 10 | 10 | 1,5 | 2 | 2 | 5 | 60 |
| 30.0192-12418 * | 45 | 34 | 3 | 3 | 5 | 9 | 60 |
| 30.0192-12642 * | 21 | 15 | 2 | 2 | 2 | 8 | 60 |

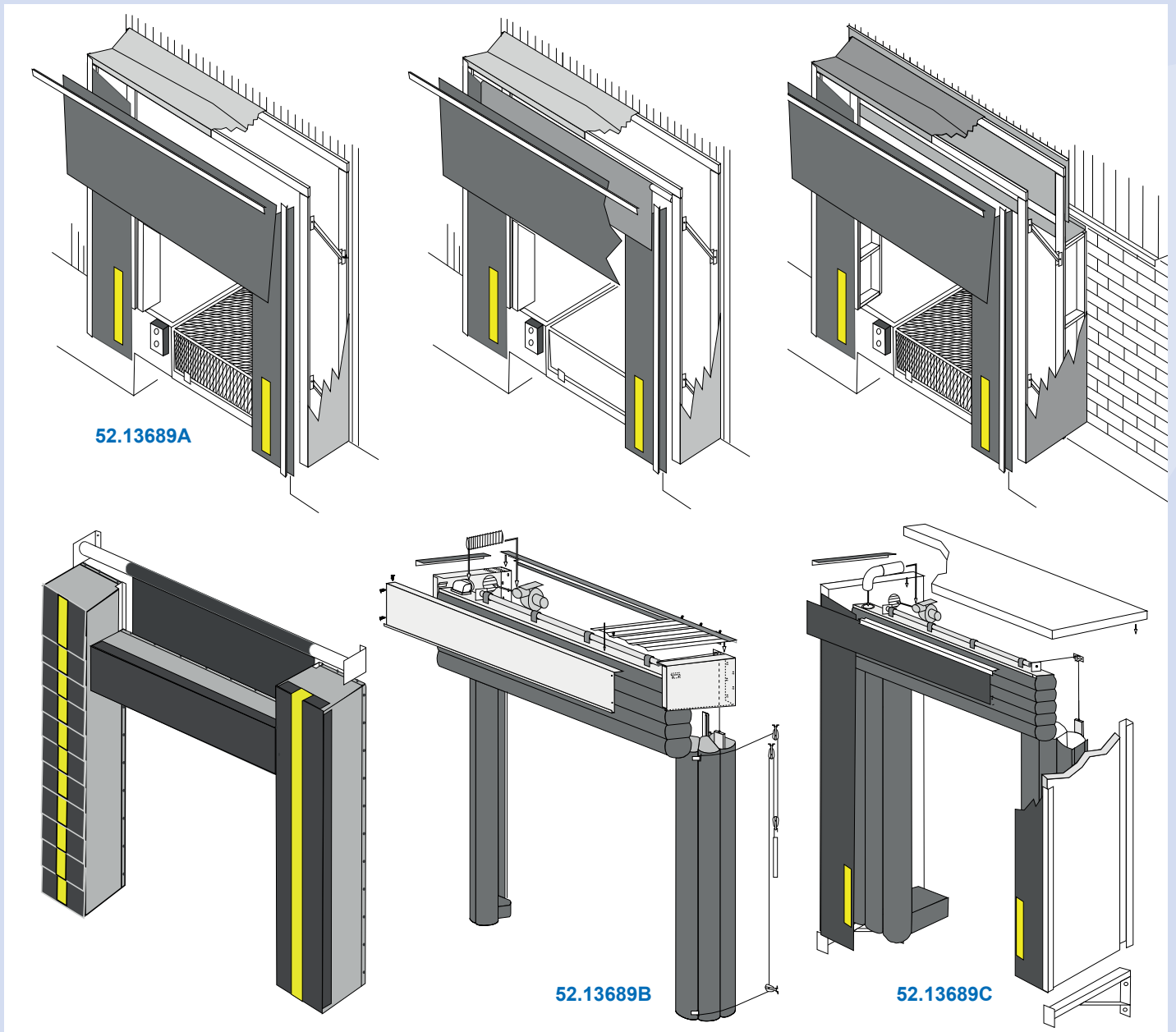
| Art. | A | B | G | H | K | S | Hardness SH A |
|-----------------|-----|------|-----|------|-----|-----|---------------|
| 30.0192-2076 * | 16 | 10 | 2 | 10 | 2,5 | 1 | 50 |
| 30.0192-2969 * | 17 | 9,5 | 1,2 | 8 | 1,5 | 1 | 76 |
| 30.0192-3214 * | 16 | 9,5 | 1,2 | 8 | 1,5 | 1 | 76 |
| 30.0192-3414 * | 8,6 | 8,3 | 1,2 | 7,5 | 1,4 | 1,2 | 60 |
| 30.0192-3415 * | 12 | 8,5 | 1,2 | 7,7 | 1,4 | 1,2 | 60 |
| 30.0192-3739 * | 17 | 8,5 | 1,5 | 7 | 2 | 1 | 76 |
| 30.0192-4792 * | 16 | 7,5 | 1,2 | 7 | 1,5 | 1 | 60 |
| 30.0192-4906 * | 12 | 8 | 1,2 | 6,3 | 1,5 | 1,2 | 60 |
| 30.0192-10966 * | 30 | 30,3 | 4 | 33,5 | 9,9 | 4 | 60 |
| 30.0192-11527 * | 17 | 8,5 | 1,2 | 7 | 1,5 | 1 | 60 |

Ventil eksempel / Valve example



| Art. | A | B | C | G | Hardness SH A |
|-----------------|------|------|------|--------|---------------|
| 30.0192-0374 * | 16 | 20 | 15 | 2,5 | 50 |
| 30.0192-0460 * | 17 | 18 | 17 | 3,5 | 50 |
| 30.0192-0431 * | 34 | 35 | 35 | 5 | 60 |
| 30.0192-0459 * | 17 | 18 | 15 | 2,5 | 50 |
| 30.0192-1345 * | 16 | 18 | 16 | 2,5 | 50 |
| 30.0192-1494 * | 14 | 11 | 14 | 2/2,25 | 60 |
| 30.0192-1744 * | 35 | 33 | 35 | 5,5 | 55 |
| 30.0192-1768 * | 27 | 19 | 27 | 3,5 | 50 |
| 30.0192-1881 * | 36 | 26,9 | 36 | 5 | 55 |
| 30.0192-1949 * | 17,5 | 20 | 17,5 | 3 | 45 |
| 30.0192-2029 * | 14 | 14 | 15,5 | 2,5 | 50 |
| 30.0192-2067 * | 16,5 | 16 | 15 | 2 | 55 |
| 30.0192-2364 * | 35 | 32 | 35 | 5 | 60 |
| 30.0192-2408 * | 16,5 | 13 | 16,5 | 2,5 | 55 |
| 30.0192-2845 * | 14 | 11 | 13 | 2 | 60 |
| 30.0192-3365 * | 14 | 10 | 14 | 2 | 60 |
| 30.0192-3497 * | 27,5 | 25 | 27,5 | 3 | 60 |
| 30.0192-3551 * | 33,5 | 32 | 35 | 5 | 60 |
| 30.0192-3588 * | 16 | 14 | 16 | 2 | 60 |
| 30.0192-3616 * | 15,5 | 18 | 15,5 | 2 | 60 |
| 30.0192-3693 * | 53 | 41,5 | 53 | 5 | 60 |
| 30.0192-3845 * | 35 | 32 | 35 | 4 | 60 |
| 30.0192-3900 * | 35 | 32 | 35 | 5 | 60 |
| 30.0192-4626 * | 34 | 25 | 34 | 5 | 60 |
| 30.0192-4690 * | 35 | 32 | 35 | 4,5 | 60 |
| 30.0192-4973 * | 15,2 | 13,6 | 16,2 | 2 | 55 |
| 30.0192-10142 * | 16 | 12 | 16 | 2,5 | 60 |
| 30.0192-10318 * | 35 | 31 | 35 | 4,5 | 65 |
| 30.0192-10358 * | 21 | 24 | 21 | 3 | 60 |
| 30.0192-10389 * | 16 | 12 | 16 | 2 | 60 |
| 30.0192-10519 * | 16 | 12 | 16 | 2 | 60 |
| 30.0192-10947 * | 35 | 32 | 35 | 3,3 | 55 |
| 30.0192-11093 * | 13,6 | 10 | 13,6 | 2 | 55 |
| 30.0192-11137 * | 14 | 14 | 14 | 3 | 60 |
| 30.0192-11278 * | 17 | 9 | 17 | 2 | 55 |
| 30.0192-11342 * | 32,5 | 32 | 35 | 5 | 60 |
| 30.0192-11385 * | 33,5 | 30 | 35 | 5 | 60 |
| 30.0192-11550 * | 34 | 35 | 35 | 5 | 70 |
| 30.0192-11937 * | 22 | 20 | 22 | 3 | 60 |
| 30.0192-11991 * | 33,7 | 32 | 33,7 | 5 | 60 |
| 30.0192-12300 * | 35 | 31,5 | 35 | 5 | 60 |
| 30.0192-12398 * | 35 | 35 | 35 | 4,3 | 60 |
| 30.0192-12442 * | 14 | 10 | 14 | 1,7 | 50 |
| 30.0192-12465 * | 35 | 33 | 35 | 4 | 60 |





39.1501 *



Front plate
440 x 250 x 62 mm
Weight: 16 kg
For buffer [39.642X](#)

39.1502 *



Front plate
415 x 215 x 62 mm
Weight: 14 kg
For buffer [39.643X](#)

39.1503 *



Back plate for welding
450 x 250 x 15 mm
Weight: 15 kg

39.1504 *



Back plate galvanized
450 x 250 x 15 mm
Weight: 15 kg

39.1505 *



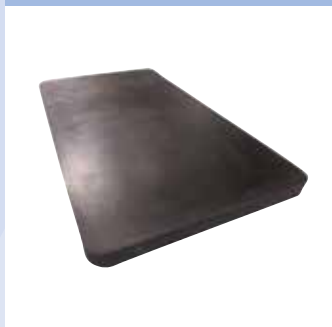
Packer
450 x 250 x 10 mm
Weight: 1,3 kg
Rubber spacer

39.1506 *



Packer
450 x 250 x 15 mm
Weight: 2,3 kg
Rubber spacer
Holes as an option

39.1507 *



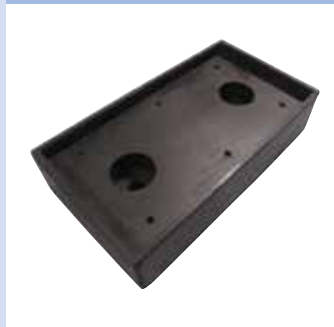
Packer
450 x 250 x 20 mm
Weight: 2,8 kg
Rubber spacer
Holes as an option

39.1508 *



Packer
450 x 250 x 50 mm
Weight: 5,5 kg
Rubber spacer

39.1509 *



Dock bumper accessory
450 x 250 x 100 mm
Weight: 10 kg
Buffer for PE plate

39.1510 *



Front plate. Hardwearing PE
410 x 210 x 35 mm
Weight: 2,5 kg

39.1511 *



Dock bumper accessory
250 x 150 x 150 mm
Weight: 8,1 kg
For mount of buffer 150 mm over
ramp level

39.1512 *



Dock bumper accessory
250 x 250 x 150 mm
Weight: 12 kg
For mount of buffer 150 mm over
ramp level

39.1513 *



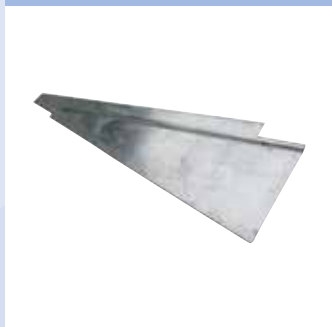
Front plate
440 x 440 x 62 mm
Weight: 13,5 kg

39.1514 *



Packer
450 x 450 x 15 mm
Weight: 2,3 kg
Rubber spacer for [39.651A](#)

39.1515 *



Dock bumper accessory
1.470 x 540 (max.) x 100 mm
(min.)
Weight: 12 kg
Toe protection

Portsluser og tilbehør / Dock shelters

39.1616 *



Packer
750 x 250 x 15 mm
Weight: 3,6 kg
Rubber spacer

39.1617 *



Packer
750 x 250 x 20 mm
Weight: 10,5 kg
Rubber spacer

39.1618 *



Packer
750 x 250 x 50 mm
Weight: 10,5 kg
Rubber spacer

39.1819 *



Front plate
732 x 250 x 62 mm
Weight: 26 kg
For buffer [39.649](#)

39.1620 *



Back plate for welding
750 x 250 x 15 mm
Weight: 24 kg

39.1621 *



Back plate. Galvanized
750 x 250 x 15 mm
Weight: 24 kg

39.1622



Back plate for 450 mm buffer
720 x 250 x 66 mm
Weight: 32 kg
Spring loaded. Follows the truck
when loading.

39.1623 *



Back plate for 750 mm buffer
965 x 250 x 66 mm
Weight: 47 kg
Spring loaded. Follows the truck
when loading.

39.1624 *



Dock bumper accessory
750 x 250 x 100 mm
Weight: 17 kg
Buffer for PE plate

39.1625 *



Front plate. Hardwearing PE.
710 x 210 x 35 mm
Weight: 4,5 kg

39.654 *



Dock bumper L
750 x 400 x 100 mm
Weight: 36 kg

39.655 *



Dock bumper L
750 x 400 x 100 mm
Weight: 36 kg

39.1626 *



Front plate. Galvanized
750 x 400 x 100 mm
Weight: 36 kg

39.1627 *



Front plate. Galvanized
750 x 400 x 100 mm
Weight: 36 kg

39.1628 *



Back plate. Galvanized
750 x 400 x 100 mm
Weight: 34 kg

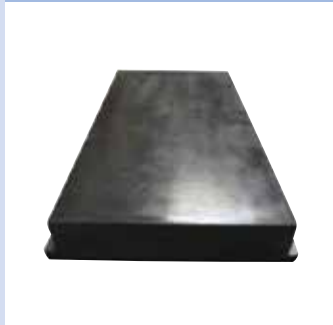
39.1629 *



Back plate. Galvanized
750 x 400 x 100 mm
Weight: 34 kg

Portsluser og tilbehør / Dock shelters

39.1630 *



Front plate. Hardwearing rubber
448 x 248 x 50 mm
Weight: 7 kg

39.1631 *



Front plate. Hardwearing PE
450 x 250 x 50 mm
Weight: 5 kg

39.1632 *



Back plate. Galvanized
450 x 250 x 60 mm
Weight: 11 kg
Remember rubber spacer

39.1633 *



Back plate. Galvanized
470 x 270 x 120 mm
Weight: 21 kg
Remember rubber spacer

39.1634 *



Front plate. Hardwearing rubber
750 x 250 x 50 mm
Weight: 12 kg
Alternative to 39.1635

39.1635 *



Front plate. Hardwearing PE
750 x 250 x 50 mm
Weight: 8 kg

39.1636 *



Back plate. Galvanized
770 x 270 x 80 mm
Weight: 26 kg
Remember rubber spacer

39.1637 *



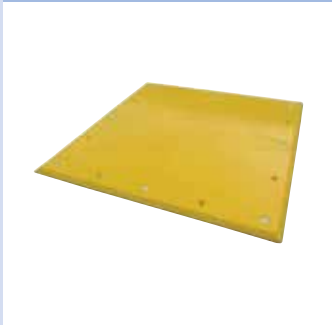
Back plate. Galvanized
770 x 270 x 120 mm
Weight: 34 kg
Remember rubber spacer

39.1638 *



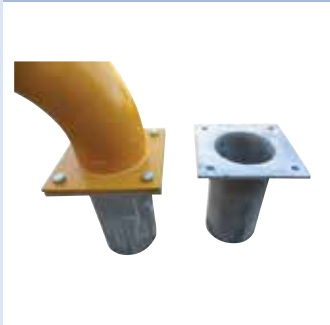
Trailer plate
1.000 x 1.000 x 2,5 mm
Weight: 26,5 kg
To protect the concrete in front of
loading ramp

39.1639 *



Trailer plate PE
1.000 x 1.000 x 20 mm
Weight: 18,5 kg

39.1640 *



Wheel guide
Ø165 mm, 5 mm, 300 mm depth.
Mounting plate: 250 x 250 x 10
mm.
Weight: 8,5 kg

39.1641 *



Wheel guide
Ø165 mm, 5 mm, 2.085 x 250 x
365 mm.
Color: Yellow RAL 1028
Weight: 90 kg

39.1642 *



Wheel guide
Ø165 mm, 5 mm, 2.070 x 600 x
365 mm. Yellow RAL 1028.
Weight: 90 kg
Can be ordered in hot-dipped.

39.1643 *



Wheel guide
2.070 x 250 x 200 mm
Color: Yellow RAL 1028
Weight: 78 kg

39.1644 *



Wheel guide. Hot dipped.
Ø165 mm, 5 mm, 3.000 x 600 x
365 mm

S10.3301



Dolphin knife

S10.3303



10 pcs. blades for S10.3301

S10.3311



Utility knife

S10.3313



10 pcs. blades for S10.3311

S10.3312



Utility knife

S10.3314



10 pcs. blades for S10.3312

83.842



Profile cutter

84.930



Tool set for inserting filler sections in glazing sections. Eyelet Ø 9,5 mm.

84.931



Tool for filler sections

84.932T



Tool for glazing sections with wooden handle

84.934X



7 mm eyelet for 84.931

84.934



9,5 mm eyelet for 84.931

84.935



10,5 mm eyelet for 84.931

84.840084



Cold cut knife

84.961



Cold cut knife blade for 84.840084. 19 mm.

84.961A: 25 mm

84.961B: 35 mm

87.705I



Terokal 2444, 340 g
Excellent contact adhesive, based on CR, for rubber/rubber - and rubber/metal bonding.

87.727



Terokal 914, 680 g
Transparent contact adhesive, based on NBR. Very good for PVC.

87.082020



Cyanoacrylate adhesive
20 g

87.770/10



Loctite 770(7239), 10 g
Primer which improves the adhesion on materials which are difficult to glue e.g. thermoplastic rubber types. Is to be used together with Loctite 401 / 406 / 431 / 454 or 4850

87.1034



Sicomat 50, 3 g
Excellent for EPDM

87.1035



Sicomat 8300, 20 g
Excellent for sponge rubber

87.1739



Terodicht Elastik, 310 ml
IK sealant, based on synthetic rubber - black

87.1738



Terodicht schwarz, 310 ml
IK sealant, based on buthyl rubber - grey

87.2000



Dual component adhesive.
Total weight: 1 kg

87.52759



Terostat 2759, 310 ml.
Easy to dab off. IK sealant, based on buthyl rubber. Grey.
87.52759X: 570 ml

87.51989



Terostat 930, sort 310 ml.
87.51999F: 570 ml

87.723



Spray glue. Loctite 3923.

30.shore20-90



Shore samples with logo.
Silicone rubber.

30.shoreA



Shore A hårdhedsmåler
Shore A hardness tester

30.shoreD



Shore D hårdhedsmåler
Shore D hardness tester

Gummityper / Rubber types

| Kemisk betegnelse | Natur-kautsjuk | Styrolbutadien-Kausjuk | Nitril kausjuk (Perbunan) | Chlororen kausjuk (Neopren) | Ethylen propylen kausjuk (APTK) |
|--|-----------------------------------|-----------------------------------|-----------------------------------|-------------------------------|---|
| Chemical Nomenclature | Naturel Rubber | Styrol Butadien Rubber (Buna) | Nitril Rubber (Perbunan) | Chloroprene Rubber (Neoprene) | Ethylene Propylene Dien Rubber |
| Navnefortegnelse i.h.t. ASTM D 1418 Abbreviation as per ASTM D 1418 | NR | SBR | NBR | CR | EPDM |
| Hårdhedsområde (Shore A)(±5) Hardness Range (Shore A)(±5) | 40 - 90 | 45 - 90 | 45 - 90 | 40 - 90 | 40 - 90 |
| Trækstyrke N/mm ² Tensile Strength N/mm ² | 4 - 15 | 4 - 15 | 4 - 14 | 5 - 15 | 6 - 13 |
| Tilbageståndselasticitet ved 20°C Recoil Elasticity at 20°C | Udmærket Excellent | God Good | Tilfredsstillende Satisfactory | God Good | God Good |
| Slidstyrke Abrasion Resistance | Meget god Very good | Meget god Very good | God Good | God Good | God Good |
| (1) Kemisk bestandighed (1) Chemical Resistance | God Good | God Good | Tilfredsstillende Satisfactory | God Good | Meget god Very good |
| (1) Oliebestandighed (1) Oil Resistance | Ringe Low | Ringe Low | Udmærket Excellent | God Good | Ringe Low |
| (1) Bestandighed overfor benzin (1) Petrol Resistance | Ingen None | Ringe Low | God Good | Ringe Low | Ringe Low |
| (1) Bestandighed overfor opløsningsmidler (1) Solvent Resistance | Ringe Low | Ringe Low | God Good | God Good | (3) Tilfredsstillende (3) Satisfactory |
| (4) Temperaturbestandighed °C (4) Temperature Stability in °C | -40 til +80° -40 to +80° | -30 til +80° -30 to +80° | -30 til +100° -30 to +100° | -25 til +100° -25 to +100° | -40 til +100° -40 to +100° |
| Ozonbestandighed Ozone Resistance | Tilfredsstillende Satisfactory | Tilfredsstillende Satisfactory | Tilfredsstillende Satisfactory | Meget god Very good | Udmærket Excellent |
| Vejrbestandighed General Climate Resistance | God Good | God Good | God Good | Meget god Very good | Udmærket Excellent |
| Gasuigennemtrængelighed Gas Impermeability | Tilfredsstillende Satisfactory | Tilfredsstillende Satisfactory | God Good | God Good | Tilfredsstillende Satisfactory |
| (2) Modstand mod blivende deformation (2) Resistance to permanent set | Meget god Very good | God Good | God Good | God Good | God Good |
| Bindekraft til metal Adhesion to metal | Udmærket Excellent | Meget god Very good | Tilfredsstillende Satisfactory | God Good | Tilfredsstillende Satisfactory |
| Bindekraft til tekstiler Adhesion to textile | Udmærket Excellent | God Good | Tilfredsstillende Satisfactory | Udmærket Excellent | Tilfredsstillende Satisfactory |

(1) = På grund af mange mulige kemikalier, opløsningsmidler, arbejdstemperaturer og arbejdstider kan de oplyste værdier, i enkelte tilfælde, udvise forandringer. Især kan en elastomertype, som normalt udviser ringe bestandighed, udvise en meget god resistens overfor bestemte medier.

(2) = Ved relative lave h.h.v. høje temperaturer reduceres modstanden normalt.

(3) = God udvidelsesbestandighed overfor forskellige blødgørere.

(4) = Det drejer sig om grænseværdier, som kan svinge alt efter sammensætningen af blandingen. Vedvarende indsætning i grænseområderne ændrer de fysiske værdier. Til ekstreme påvirkninger kræves særlige elastomere-blandinger.

(1) = In view of the multitude of chemicals, solvents, application temperatures and times the value quoted may vary in some cases. For example one type of elastomer which normally has only low resistance properties could show very good resistance to certain media.

(2) = At relatively high or low temperatures, resistance generally drops.

(3) = Good expansion resistance to various ester based plasticizers.

(4) = These are borderline values which, depending on composition of the mixture, can vary. If used permanently in such borderline areas, this can lead to a change in the physical values. For such extreme applications it is advisable to use special elastomer mixtures.

Silikone / Silicone

Egenskaber

Arbejdstemperatur (standarddele)

-50°C do +180°C / +250°C

Arbejdstemperatur (specialdele)

-90°C do +315°C

Forlængelse

300 - 800%

Hårdhed

25 - 80 Shore A

Sammenbrudsspænding

23 kV (VDE 0303)

Materialer til specifikke applikationer

Høj kemikalieresistens

God dæmpning af høj- og lavfrekvent vibrationer

Silikonemultiprodukter er smagløse og lugtfrie

Modstandsdygtig over for aldring og vejrforhold

Farver

Farven på silikoneprodukter kan vælges til en given applikation:

Fra gennemsigtig til sort i overensstemmelse med RAL, inklusiv metalfarver (aluminium, stål, messing)

Farverne er kendetegnede ved livlighed og holdbarhed.

Se silikonebestandighedstabel på hjemmesiden.

Characteristics

Working temperature (standard compounds)

-50°C do +180°C / +250°C

Working temperature (specific compounds)

-90°C do +315°C

Elongation

300-800%

Hardness

25 do 80 Shore A

Breakdown voltage

23 kV (VDE 0303)

Materials for specific applications

High chemical resistance

Good damping of high and low frequency vibrations

Silicon rubber products are tasteless and odourless

Resistance to ageing and weather conditions

Colors

The colour of silicon products can be suitably chosen for particular application: from transparent to black, in accordance to RAL, including metallic colours (aluminium, steel, brass).

The colours feature of vividness and durability

Find the silicone table of resistance on our homepage.

Se gummibestandighedstabel på hjemmesiden.
Find the rubber immersion table on our homepage.

Silikonkvaliteter / Silicone grades

| Kode / Code | Shore A | Farve / Color |
|---|---------|--|
| STQ - Teknisk kvalitet STQ - Technical grade | 15 - 75 | Gennemsigtig, pigmenterbar Transparent, pigmentable |
| ELQ - Elektrisk ledende ELQ - Electric conductive | 70 | Sort Black |
| FLQ - Fluorsilicone FLQ - Fluorsilicone | 60 | Gennemsigtig, pigmenterbar Transparent, pigmentable |
| HTQ - Varmeresistent HTQ - Heat resistant | 45 - 65 | Uigennemsigtig, pigmenterbar Opaque, pigmentable |
| OLQ - Oliebestandig OLQ - Oil resistant | 40 - 80 | Uigennemsigtig, pigmenterbar Opaque, pigmentable |
| PTQ - Platin hærdet PTQ - Platinum cured | 70 | Gennemsigtig, pigmenterbar Transparent, pigmentable |
| SB2Q - Brændhæmmende SB2Q - Flame retardant | 15 - 75 | Gennemsigtig, pigmenterbar Transparent, pigmentable |
| TRQ - Rivebestandig TRQ - Tear resistant | 70 | Gennemsigtig, pigmenterbar Transparent, pigmentable |
| WDQ - Dampresistent WDQ - Steam resistant | 55 | Uigennemsigtig, pigmenterbar Opaque, pigmentable |
| WDSTQ - Forbedret dampresistent WDSTQ - Steam resistant improved | 15 - 75 | Uigennemsigtig, pigmenterbar Opaque, pigmentable |
| SPQ-1-30 Svamp SPQ-1-30 Sponge | 17 | Gennemsigtig, pigmenterbar Transparent, pigmentable |
| SPQ-2-30 Svamp SPQ-2-30 Sponge | 14 | Gennemsigtig, pigmenterbar Transparent, pigmentable |

Dimensional tolerances for moulded, extruded and calendered solid rubber products.
(GB/T 3672-92) ISO3302-1998

| Rubber thickness (mm) | E1 ± (mm) | E2 ± (mm) Solid | E3 ± (mm) Sponge-rubber |
|-----------------------|-----------|-----------------|-------------------------|
| 0 - 1,5 | 0,15 | 0,25 | 0,4 |
| 1,5 - 2,5 | 0,2 | 0,35 | 0,5 |
| 2,5 - 4 | 0,25 | 0,4 | 0,65 |
| 4 - 6,3 | 0,35 | 0,5 | 0,8 |
| 6,3 - 10 | 0,4 | 0,65 | 1 |
| 10 - 16 | 0,5 | 0,8 | 1,3 |
| 16 - 25 | 0,65 | 1 | 1,6 |
| 25 - 40 | 0,8 | 1,3 | 2 |
| 40 - 63 | 1 | 1,6 | 2,5 |
| 63 - 100 | 1,3 | 2 | 3,2 |

E = ekstrudering. Øvrige kvaliteter er til støbte artikler.

E = extrusion. Other grades are for molded articles.

Se silikonbestandighedstabel på hjemmesiden.

Find chemical resistance of silicone rubber on our homepage.

Plasttyper / Plastic types

POM, PVC

| Kemisk betegnelse Chemical Nomenclature | Polyoxymethylene | Polyvinylchlorid |
|--|--|--|
| Navnefortegnelse Abbreviation | POM | PVC |
| (1) Kemisk bestandighed (1) Chemical Resistance | God Good | God Good |
| (1) Oliebestandighed (1) Oil Resistance | Meget god Very good | God Good |
| (1) Bestandighed overfor benzin (1) Petrol Resistance | Meget god Very good | Ingen None |
| Ozonbestandighed Ozone Resistance | Ingen None | Meget god Very good |
| Svovlsyre bestandighed | Ingen None | Ingen None |
| (4) Temperaturbestandighed °C | Ca. -40 til +100°C | Ca. -10 til +60°C |
| Egenskaber | Gode mekaniske egenskaber Slidbestandig Dimensionsstabil | God mekanisk vurdering God svejse/vedhæft egenskaber Bliver hårdere i benzin og olie |

TPE

| Kemisk betegnelse Chemical Nomenclature | Termoplastiske elastomerer | |
|--|---|-------------------|
| Type / kvalitet | TPE gennemsigtig | TPE normal |
| Hårdhed Shore | 55 Sh A - 50 Sh D | 60 Sh A - 50 Sh D |
| Temperaturbestandighed °C | -50 til +125°C | -50 til +125°C |
| Egenskaber | Fremragende vejrbestandighed. God kemisk bestandighed (Undtagen ved organisk opløsningsmiddel, aromatiske- og vegetabiliske olier). | |

(1) = På grund af mange mulige kemikalier, opløsningsmidler, arbejdstemperaturer og arbejdstider kan de oplyste værdier, i enkelte tilfælde, udvise forandringer. Især kan en elastomeretype, som normalt udviser ringe bestandighed, udvise en meget god resistens overfor bestemte medier.

(2) = Ved relative lave h.h.v. høje temperaturer reduceres modstanden normalt.

(3) = God udvidelsesbestandighed overfor forskellige blødgørere.

(4) = Det drejer sig om grænseværdier, som kan svinge alt efter sammensætningen af blandingen. Vedvarende indsætning i grænseområderne ændrer de fysiske værdier. Til ekstreme påvirkninger kræves særlige elastomerblandinger.

(1) = In view of the multitude of chemicals, solvents, application temperatures and times the value quoted may vary in some cases. For example one type of elastomer which normally has only low resistance properties could show very good resistance to certain media.

(2) = At relatively high or low temperatures, resistance generally drops.

(3) = Good expansion resistance to various ester based plasticizers.

(4) = These are borderline values which, depending on composition of the mixture, can vary. If used permanently in such borderline areas, this can lead to a change in the physical values. For such extreme applications it is advisable to use special elastomer mixtures.

Varenummerindex / product number index

| Vare Art | Side Page | Vare Art | Side Page | Vare Art | Side Page | Vare Art | Side Page | Vare Art | Side Page | Vare Art | Side Page |
|---------------|--------------|--------------|--------------|-------------|--------------|--------------|--------------|---------------|--------------|--------------|--------------|
| 20.13002 | 104 | 30.0192-4973 | 106 | 30.11911 | 40 | 30.15170 | 28 | 30.7505E | 23 | 30.shoreD | 112 |
| 20.6020 | 104 | 30.10005E | 23 | 30.119E | 22 | 30.16239 | 32 | 30.7507 | 31 | 30.SM251 | 43 |
| 20.6025 | 104 | 30.10036 | 32 | 30.1201KE | 23 | 30.16688 | 30 | 30.7508 | 39 | 30.WI660 | 23 |
| 20.6030 | 104 | 30.101.25 | 22 | 30.120CR | 22 | 30.16977 | 31 | 30.7509 | 39 | 30.WI747 | 23 |
| 20.6120 | 104 | 30.101.5 | 22 | 30.120E | 22 | 30.174S | 42 | 30.7519 | 40 | 31.018S | 37 |
| 20.6125 | 104 | 30.101 | 22 | 30.120NBR | 22 | 30.176 | 42 | 30.7519NBR | 40 | 31.018X | 37 |
| 20.6130 | 104 | 30.102 | 22 | 30.121E | 22 | 30.180 | 43 | 30.7559 | 27 | 31.021S | 37 |
| 30.0192-0374 | 106 | 30.102E | 22 | 30.122CR | 22 | 30.182 | 42 | 30.7613 | 27 | 31.022S | 37 |
| 30.0192-0431 | 106 | 30.103.5CR | 22 | 30.122E | 22 | 30.190 | 28 | 30.762 | 30 | 31.025S | 37 |
| 30.0192-0459 | 106 | 30.103.5NBR | 22 | 30.122NBR | 22 | 30.2005E | 23 | 30.7645 | 27 | 31.035S | 41 |
| 30.0192-0460 | 106 | 30.103CR | 22 | 30.124E | 22 | 30.21101205 | 40 | 30.7648 | 27 | 31.036SI-LTC | 41 |
| 30.0192-10142 | 106 | 30.103E | 22 | 30.12553-2 | 28 | 30.2151 | 25 | 30.7649-12 | 25 | 31.036SI | 41 |
| 30.0192-10318 | 106 | 30.103NBR | 22 | 30.125CR | 22 | 30.2151S | 25 | 30.7649-8 | 25 | 31.037 | 41 |
| 30.0192-10322 | 105 | 30.103SIH | 22 | 30.125E | 22 | 30.216S | 23 | 30.7649 | 25 | 31.037SI | 41 |
| 30.0192-10358 | 106 | 30.104.5CR | 22 | 30.125NBR | 22 | 30.218S | 23 | 30.7650 | 25 | 31.038SI | 41 |
| 30.0192-10389 | 106 | 30.104.5E | 22 | 30.12759 | 23 | 30.220L | 23 | 30.7651 | 27 | 31.041S | 37 |
| 30.0192-10519 | 106 | 30.104.5NBR | 22 | 30.12896 | 39 | 30.22381 | 42 | 30.7652 | 24 | 31.042S | 37 |
| 30.0192-10680 | 105 | 30.10461-2 | 31 | 30.12932-1 | 39 | 30.2310E | 23 | 30.7663 | 29 | 31.043S | 38 |
| 30.0192-10927 | 105 | 30.10485 | 31 | 30.12932-2 | 30 | 30.2438 | 29 | 30.7696 | 23 | 31.047 | 37 |
| 30.0192-10947 | 106 | 30.104CR | 22 | 30.12957-1 | 24 | 30.2449 | 39 | 30.7770 | 26 | 31.048 | 40 |
| 30.0192-10963 | 105 | 30.104E | 22 | 30.12957-2 | 24 | 30.2455 | 39 | 30.7780/4 | 26 | 31.050 | 40 |
| 30.0192-10966 | 105 | 30.104NBR | 22 | 30.12957-3 | 25 | 30.2505E | 23 | 30.7811 | 30 | 31.060S | 37 |
| 30.0192-11007 | 105 | 30.104SIH | 22 | 30.13049-1 | 31 | 30.2566 | 25 | 30.7845 | 31 | 31.061S | 38 |
| 30.0192-11016 | 105 | 30.105.3CR | 22 | 30.13049-2 | 31 | 30.257S | 26 | 30.7853X | 24 | 31.063 | 37 |
| 30.0192-11093 | 106 | 30.105.3NBR | 22 | 30.13049-4 | 31 | 30.258 | 26 | 30.7932 | 24 | 31.064 | 38 |
| 30.0192-11137 | 106 | 30.105.7CR | 22 | 30.13049-5 | 31 | 30.262S | 23 | 30.7933 | 24 | 31.065S | 38 |
| 30.0192-11278 | 106 | 30.105.7NBR | 22 | 30.13062 | 30 | 30.2653 | 26 | 30.7935 | 24 | 31.066 | 38 |
| 30.0192-11342 | 106 | 30.105CR | 22 | 30.13066 | 82 | 30.29300-129 | 30 | 30.798 | 29 | 31.068S | 38 |
| 30.0192-11385 | 106 | 30.105E | 22 | 30.13086 | 37 | 30.29300-130 | 30 | 30.7987 | 39 | 31.070S | 39 |
| 30.0192-11484 | 105 | 30.105NBR | 22 | 30.130CR | 22 | 30.2984-1 | 40 | 30.8199 | 26 | 31.071S | 39 |
| 30.0192-11527 | 105 | 30.105SIH | 22 | 30.130NBR | 22 | 30.2984-2 | 40 | 30.8199W | 26 | 31.072 | 30 |
| 30.0192-11550 | 106 | 30.106.5CR | 22 | 30.13144 | 53 | 30.2984-3 | 40 | 30.8270 | 28 | 31.074S | 39 |
| 30.0192-11800 | 105 | 30.106.5NBR | 22 | 30.13186-1 | 68 | 30.2984-5 | 40 | 30.8331 | 29 | 31.112S | 46 |
| 30.0192-11937 | 106 | 30.106CR | 22 | 30.13186-2 | 68 | 30.2984-6 | 40 | 30.8439 | 44 | 31.116S | 46 |
| 30.0192-11991 | 106 | 30.106E | 22 | 30.13186-3 | 68 | 30.3003E | 23 | 30.8469 | 24 | 31.145S | 46 |
| 30.0192-12300 | 106 | 30.106NBR | 22 | 30.13186-4 | 68 | 30.3006E | 23 | 30.8538 | 43 | 31.148 | 46 |
| 30.0192-12398 | 106 | 30.106SIH | 22 | 30.13186-5 | 68 | 30.313 | 27 | 30.8538B | 43 | 31.155 | 46 |
| 30.0192-12418 | 105 | 30.107.5CR | 22 | 30.13186-6 | 68 | 30.314S | 27 | 30.9215 | 32 | 31.216GS | 38 |
| 30.0192-12442 | 106 | 30.107.5NBR | 22 | 30.13186-7 | 68 | 30.315S | 27 | 30.9387-1 | 32 | 31.216ST | 38 |
| 30.0192-12465 | 106 | 30.10777-1 | 39 | 30.13186-8 | 68 | 30.315SB | 27 | 30.9387-2 | 31 | 31.365 | 46 |
| 30.0192-12642 | 105 | 30.107CR | 22 | 30.13242 | 32 | 30.324S | 25 | 30.9437-100 | 33 | 31.369 | 28 |
| 30.0192-1345 | 106 | 30.107E | 22 | 30.132CR | 22 | 30.324SB | 25 | 30.9437-125 | 33 | 31.4281 | 62 |
| 30.0192-1494 | 106 | 30.107NBR | 22 | 30.132NBR | 22 | 30.325X | 25 | 30.9437-160 | 33 | 31.6701 | 46 |
| 30.0192-1744 | 106 | 30.108.4CR | 22 | 30.13315 | 53 | 30.3305E | 23 | 30.9437-200 | 33 | 31.6702 | 46 |
| 30.0192-1768 | 106 | 30.108.4NBR | 22 | 30.13421 | 27 | 30.3310E | 23 | 30.9437-250 | 33 | 31.6703 | 46 |
| 30.0192-1881 | 106 | 30.108CR | 22 | 30.13447-8 | 29 | 30.331 | 24 | 30.9437-315 | 33 | 31.702 | 31 |
| 30.0192-1949 | 106 | 30.108E | 22 | 30.13503 | 32 | 30.333X | 24 | 30.9437-400 | 33 | 31.OT2179 | 43 |
| 30.0192-2029 | 106 | 30.108NBR | 22 | 30.13535 | 39 | 30.340 | 29 | 30.9437-500 | 33 | 32.009S | 47 |
| 30.0192-2067 | 106 | 30.108SIH | 22 | 30.135E | 22 | 30.4437 | 29 | 30.9519 | 39 | 32.010 | 47 |
| 30.0192-2076 | 105 | 30.108SIHX | 22 | 30.135NBR | 22 | 30.4469 | 31 | 30.9548 | 37 | 32.016S | 44 |
| 30.0192-2364 | 106 | 30.109.5CR | 22 | 30.136/45 | 42 | 30.5003E | 23 | 30.9691-2 | 23 | 32.034S | 44 |
| 30.0192-2408 | 106 | 30.109.5NBR | 22 | 30.136 | 42 | 30.5004E | 23 | 30.9691-3 | 25 | 32.036S | 44 |
| 30.0192-2819 | 105 | 30.109CR | 22 | 30.136NBR | 42 | 30.5005E | 23 | 30.9691-5 | 23 | 32.036X | 44 |
| 30.0192-2845 | 106 | 30.109E | 22 | 30.13796 | 31 | 30.5010E | 23 | 30.9826-1 | 32 | 32.044S | 44 |
| 30.0192-2969 | 105 | 30.109NBR | 22 | 30.13841 | 27 | 30.50967 | 27 | 30.9826-2 | 32 | 32.046S | 44 |
| 30.0192-3161 | 105 | 30.110CR | 22 | 30.1386 | 38 | 30.5179 | 29 | 30.9884S | 53 | 32.047 | 44 |
| 30.0192-3214 | 105 | 30.110E | 22 | 30.138NBR | 42 | 30.5550M | 26 | 30.9884X | 41 | 32.057 | 45 |
| 30.0192-3365 | 106 | 30.110NBR | 22 | 30.138S | 42 | 30.5560 | 26 | 30.9885 | 41 | 32.064S | 45 |
| 30.0192-3375 | 105 | 30.111CR | 22 | 30.140 | 42 | 30.5596 | 31 | 30.9906 | 67 | 32.066 | 45 |
| 30.0192-3414 | 105 | 30.111NBR | 22 | 30.14053 | 27 | 30.5808E | 23 | 30.9996-10 | 24 | 32.075 | 45 |
| 30.0192-3415 | 105 | 30.112CR | 22 | 30.14098-2 | 25 | 30.5881 | 25 | 30.9996-4 | 32 | 32.095S | 45 |
| 30.0192-3497 | 106 | 30.112E | 22 | 30.140CR | 22 | 30.5981 | 26 | 30.9996-5 | 32 | 32.1024S | 44 |
| 30.0192-3551 | 106 | 30.112NBR | 22 | 30.140NBR | 22 | 30.6487 | 43 | 30.9996-6 | 32 | 32.1025S | 44 |
| 30.0192-3588 | 106 | 30.113CR | 22 | 30.141 | 29 | 30.6502.5E | 23 | 30.OT0136 | 39 | 32.1025SK | 44 |
| 30.0192-3616 | 106 | 30.113E | 22 | 30.14130 | 28 | 30.6622 | 38 | 30.OT101 | 42 | 32.1037S | 45 |
| 30.0192-3693 | 106 | 30.113NBR | 22 | 30.14163-1 | 29 | 30.6622N | 38 | 30.OT1024 | 23 | 32.1045S | 45 |
| 30.0192-3739 | 105 | 30.11459 | 38 | 30.14163 | 29 | 30.6648 | 25 | 30.OT1024B | 23 | 32.1045SK | 44 |
| 30.0192-3845 | 106 | 30.114CR | 22 | 30.14227 | 40 | 30.6705E | 23 | 30.OT1057 | 42 | 32.1301 | 47 |
| 30.0192-3877 | 105 | 30.114E | 22 | 30.142S | 29 | 30.6710E | 23 | 30.OT1080 | 43 | 32.1307S | 46 |
| 30.0192-3900 | 106 | 30.114NBR | 22 | 30.14356 | 40 | 30.6724 | 38 | 30.OT1081 | 43 | 32.1640 | 45 |
| 30.0192-4588 | 105 | 30.115CR | 22 | 30.144 | 29 | 30.6759 | 26 | 30.OT1092 | 31 | 32.165 | 45 |
| 30.0192-4626 | 106 | 30.115E | 22 | 30.14507-1 | 38 | 30.6944 | 26 | 30.OT1387 | 28 | 32.2024CR | 44 |
| 30.0192-4633 | 105 | 30.116CR | 22 | 30.14507-2 | 38 | 30.7106 | 27 | 30.OT2036 | 42 | 32.2024M | 44 |
| 30.0192-4634 | 105 | 30.116E | 22 | 30.14507-3 | 40 | 30.7249 | 30 | 30.OT3271 | 43 | 32.2045M | 44 |
| 30.0192-4690 | 106 | 30.116NBR | 22 | 30.145 | 29 | 30.7266 | 30 | 30.OT3272 | 28 | 32.255S | 45 |
| 30.0192-4733 | 105 | 30.11774 | 39 | 30.145W | 29 | 30.7300/4 | 26 | 30.OT3334 | 43 | 32.300X | 47 |
| 30.0192-4756 | 105 | 30.117E | 22 | 30.14803 | 82 | 30.7300/4Y | 26 | 30.OT3354 | 27 | 32.301X | 47 |
| 30.0192-4792 | 105 | 30.118CR | 22 | 30.148S | 42 | 30.7300 | 26 | 30.OT3394 | 37 | 32.309X | 47 |
| 30.0192-4906 | 105 | 30.118E | 22 | 30.15005E | 23 | 30.7367 | 23 | 30.OT3440 | 39 | 32.409X | 47 |
| 30.0192-4926 | 105 | 30.118NBR | 22 | 30.15005E | 23 | 30.7408X | 42 | 30.shore20-90 | 112 | 32.512 | 45 |
| 30.0192-4947 | 105 | 30.11905 | 30 | 30.15005KE | 23 | 30.7411 | 30 | 30.shoreA | 112 | 32.514S | 45 |

Varenummerindex / product number index

| Vare Art. | Side Page | Vare Art. | Side Page | Vare Art. | Side Page | Vare Art. | Side Page | Vare Art. | Side Page | Vare Art. | Side Page |
|--------------|-----------|------------------|-----------|---------------|-----------|------------|-----------|-----------|-----------|------------|-----------|
| 32.516S | 45 | 33.354 | 4 | 33.432ALU | 13 | 33.528 | 15 | 35.1004K | 49 | 35.3010 | 49 |
| 32.523S | 45 | 33.355B | 7 | 33.433 | 4 | 33.529 | 15 | 35.1005 | 49 | 35.3010K | 49 |
| 32.527 | 45 | 33.357X | 5 | 33.434 | 3 | 33.530 | 15 | 35.1005K | 49 | 35.3012 | 49 |
| 32.7125 | 46 | 33.358B | 4 | 33.435X | 3 | 33.531 | 15 | 35.1007 | 49 | 35.3012K | 49 |
| 32.7195S | 46 | 33.358C | 4 | 33.436 | 12 | 33.532 | 15 | 35.1007K | 49 | 35.3015 | 49 |
| 32.754S | 45 | 33.358X | 4 | 33.438 | 2 | 33.611 | 81 | 35.1008 | 49 | 35.3015K | 49 |
| 32.795S | 46 | 33.359X | 5 | 33.439A | 12 | 33.613 | 81 | 35.1008K | 49 | 35.3020 | 49 |
| 32.8516 | 28 | 33.360 | 6 | 33.442 | 12 | 33.615 | 81 | 35.1010 | 49 | 35.3020K | 49 |
| 32.8517 | 28 | 33.360F | 6 | 33.443X | 12 | 33.621 | 81 | 35.1010K | 49 | 35.3025 | 49 |
| 32.8518 | 28 | 33.360NBR | 6 | 33.444A | 8 | 33.623 | 81 | 35.1203 | 49 | 35.3025K | 49 |
| 32.8518W | 28 | 33.360R | 6 | 33.444X | 8 | 33.624 | 82 | 35.1203K | 49 | 35.3030 | 49 |
| 32.8519 | 28 | 33.360X | 6 | 33.447 | 10 | 33.625 | 82 | 35.1204K | 49 | 35.3030K | 49 |
| 32.8520 | 28 | 33.362 | 6 | 33.449 | 9 | 33.670 | 81 | 35.1204KL | 49 | 35.3505 | 49 |
| 32.866 | 46 | 33.362C | 6 | 33.450NBR | 8 | 33.671 | 81 | 35.1206K | 49 | 35.3505K | 49 |
| 32.924 | 44 | 33.362D | 6 | 33.451E | 9 | 33.672 | 81 | 35.1208K | 49 | 35.3510 | 49 |
| 32.924K | 47 | 33.362E | 6 | 33.452R | 9 | 33.673 | 81 | 35.1209 | 49 | 35.3510K | 49 |
| 33.000 | 13 | 33.362F | 6 | 33.452X | 10 | 33.674 | 82 | 35.1209K | 49 | 35.3535 | 49 |
| 33.003 | 2 | 33.362FX | 5 | 33.453X | 10 | 33.675 | 82 | 35.1212 | 49 | 35.3535K | 49 |
| 33.019 | 10 | 33.365X | 6 | 33.454X | 9 | 33.676 | 82 | 35.1212K | 49 | 35.4003K | 49 |
| 33.020 | 9 | 33.367 | 6 | 33.455 | 10 | 33.9779 | 7 | 35.1503 | 49 | 35.4005 | 49 |
| 33.021 | 4 | 33.369 | 5 | 33.456 | 9 | 34.018X | 37 | 35.1503K | 49 | 35.4005K | 49 |
| 33.022 | 10 | 33.370NBR | 5 | 33.456F | 10 | 34.031X | 37 | 35.1504K | 49 | 35.4010 | 49 |
| 33.024 | 9 | 33.371E | 5 | 33.457 | 8 | 34.035 | 38 | 35.1505K | 49 | 35.4010K | 49 |
| 33.025 | 6 | 33.371F | 5 | 33.457S-4 | 9 | 34.117/6 | 40 | 35.1506K | 49 | 35.4012K | 49 |
| 33.026 | 12 | 33.371FX | 5 | 33.457S-6 | 9 | 34.14334X | 37 | 35.1507 | 49 | 35.4020 | 49 |
| 33.026X | 12 | 33.371X | 5 | 33.457ST | 8 | 34.3011 | 58 | 35.1507K | 49 | 35.4020K | 49 |
| 33.026XA | 12 | 33.372X | 8 | 33.458A | 11 | 34.3020 | 58 | 35.1510 | 49 | 35.4030 | 49 |
| 33.094X | 3 | 33.374 | 6 | 33.458X | 10 | 34.3032 | 57 | 35.1510K | 49 | 35.4030K | 49 |
| 33.1153A | 3 | 33.375 | 7 | 33.459B | 11 | 34.3546 | 30 | 35.1512 | 49 | 35.4035 | 49 |
| 33.1153GA | 3 | 33.376 | 6 | 33.459C | 11 | 34.601 | 57 | 35.1512K | 49 | 35.4035K | 49 |
| 33.1154 | 4 | 33.377 | 6 | 33.459P | 11 | 34.601G | 57 | 35.1515 | 49 | 35.4040 | 49 |
| 33.1155 | 4 | 33.378 | 7 | 33.459X | 11 | 34.602 | 57 | 35.1515K | 49 | 35.4040K | 49 |
| 33.1156 | 4 | 33.379 | 7 | 33.460-2C | 11 | 34.602G | 57 | 35.1605 | 49 | 35.4505 | 49 |
| 33.12116 | 9 | 33.380 | 7 | 33.460-2F | 11 | 34.603 | 57 | 35.1605K | 49 | 35.4505K | 49 |
| 33.200POMX | 20 | 33.381 | 8 | 33.460-2X | 11 | 34.603G | 57 | 35.1608 | 49 | 35.5005 | 49 |
| 33.201POM | 20 | 33.382 | 11 | 33.460-4X | 12 | 34.604 | 57 | 35.1608K | 49 | 35.5006 | 49 |
| 33.201POMX | 20 | 33.383 | 12 | 33.460-6X | 12 | 34.606 | 59 | 35.1708K | 49 | 35.5006K | 49 |
| 33.203POMX | 20 | 33.395A | 7 | 33.460-6XL | 12 | 34.606X | 59 | 35.1803K | 49 | 35.5010 | 49 |
| 33.210POM | 20 | 33.395F | 8 | 33.460-6XLPOM | 21 | 34.607 | 59 | 35.18053K | 49 | 35.5010E | 49 |
| 33.210POMX | 20 | 33.395X | 7 | 33.462 | 12 | 34.607X | 59 | 35.1808KX | 49 | 35.5010K | 49 |
| 33.211POMX | 20 | 33.396 | 8 | 33.462R | 13 | 34.608X | 59 | 35.1809K | 49 | 35.5020K | 49 |
| 33.212POM | 20 | 33.398 | 7 | 33.463 | 7 | 34.609X | 59 | 35.1904K | 49 | 35.6002K | 49 |
| 33.213POM | 21 | 33.401G | 2 | 33.464 | 10 | 34.613 | 57 | 35.2003 | 49 | 35.6010 | 49 |
| 33.213POMX | 21 | 33.403 | 7 | 33.465B | 11 | 34.614 | 57 | 35.2003K | 49 | 35.6040 | 49 |
| 33.214POM | 21 | 33.403F | 7 | 33.465C | 11 | 34.620010 | 57 | 35.2005 | 49 | 35.8020K | 49 |
| 33.215POM | 21 | 33.407X | 7 | 33.465X | 11 | 34.620040 | 57 | 35.20055 | 49 | 36.0505 | 50 |
| 33.216POMX | 21 | 33.408X | 7 | 33.468B | 4 | 34.620140 | 58 | 35.20055K | 49 | 36.0806 | 50 |
| 33.218POM | 21 | 33.409 | 2 | 33.468F | 4 | 34.620210 | 57 | 35.2005K | 49 | 36.1003 | 50 |
| 33.220POM | 21 | 33.409ALU | 13 | 33.468X | 4 | 34.62039 | 58 | 35.2006K | 49 | 36.1003SIH | 50 |
| 33.306 | 2 | 33.409F | 2 | 33.469X | 5 | 34.62040 | 58 | 35.2010 | 49 | 36.1005 | 50 |
| 33.307A | 2 | 33.409POMX | 20 | 33.470 | 9 | 34.62041 | 58 | 35.2010K | 49 | 36.1005G | 50 |
| 33.308A | 2 | 33.410POMX | 20 | 33.471 | 12 | 34.620420 | 58 | 35.2010KL | 49 | 36.1005X | 51 |
| 33.308POMX | 20 | 33.410X | 2 | 33.472 | 12 | 34.62105 | 57 | 35.2012 | 49 | 36.1006SIH | 50 |
| 33.309XM | 2 | 33.410XG | 2 | 33.473 | 12 | 34.62110 | 58 | 35.2012K | 49 | 36.1007 | 50 |
| 33.310ALU | 13 | 33.411 | 3 | 33.474 | 12 | 34.624 | 58 | 35.2015 | 49 | 36.1007X | 51 |
| 33.310SS-316 | 2 | 33.415 | 3 | 33.475 | 11 | 34.625 | 58 | 35.2015K | 49 | 36.1008 | 50 |
| 33.310SS | 2 | 33.416 | 82 | 33.478 | 10 | 34.62610S | 58 | 35.2018 | 49 | 36.1010 | 50 |
| 33.310X | 2 | 33.417TPE | 21 | 33.479 | 11 | 34.626 | 58 | 35.2020 | 49 | 36.1010CR | 51 |
| 33.311 | 14 | 33.417TPEX | 21 | 33.480 | 8 | 34.62713H | 59 | 35.2020K | 49 | 36.1010E | 50 |
| 33.312 | 14 | 33.418SS | 2 | 33.481 | 5 | 34.62713S | 59 | 35.2207K | 49 | 36.1010SIH | 50 |
| 33.319 | 8 | 33.418X | 3 | 33.482 | 11 | 34.636 | 58 | 35.2502 | 49 | 36.1010X | 51 |
| 33.319F | 8 | 33.419 | 3 | 33.483 | 11 | 34.637 | 58 | 35.2505 | 49 | 36.102.5 | 48 |
| 33.320 | 10 | 33.419A | 3 | 33.506 | 8 | 34.641 | 57 | 35.2505K | 49 | 36.102 | 48 |
| 33.321 | 9 | 33.420F | 3 | 33.510 | 14 | 34.643 | 57 | 35.2506 | 49 | 36.1025E | 48 |
| 33.323 | 8 | 33.420FX | 3 | 33.511 | 14 | 34.644 | 57 | 35.2506K | 49 | 36.102E | 48 |
| 33.324CR | 8 | 33.420X | 2 | 33.512 | 14 | 34.676S | 59 | 35.2508K | 49 | 36.103 | 48 |
| 33.326 | 10 | 33.422 | 2 | 33.513 | 14 | 34.677 | 59 | 35.2510 | 49 | 36.1035E | 48 |
| 33.328 | 10 | 33.424 | 21 | 33.514 | 14 | 34.678 | 59 | 35.2510K | 49 | 36.103CR | 48 |
| 33.331 | 10 | 33.424TPE | 21 | 33.515 | 14 | 34.7102-50 | 57 | 35.2515 | 49 | 36.103E | 48 |
| 33.332B | 10 | 33.424TPEX | 21 | 33.516 | 14 | 34.7196 | 57 | 35.2515K | 49 | 36.104 | 48 |
| 33.332X | 9 | 33.426 | 4 | 33.517 | 14 | 34.7199 | 58 | 35.2520 | 49 | 36.1045E | 48 |
| 33.333 | 9 | 33.426A | 3 | 33.518 | 14 | 34.7514 | 58 | 35.2520K | 49 | 36.104CR | 48 |
| 33.335 | 9 | 33.426GA | 3 | 33.519 | 14 | 34.7528-2 | 30 | 35.2525 | 49 | 36.105CR | 48 |
| 33.338F | 8 | 33.426X | 4 | 33.520 | 14 | 34.7528-2H | 30 | 35.2525K | 49 | 36.105E | 48 |
| 33.339X | 9 | 33.426XA | 3 | 33.521 | 14 | 35.0806 | 49 | 35.2806K | 49 | 36.106 | 48 |
| 33.340 | 10 | 33.427X | 3 | 33.522 | 15 | 35.0806K | 49 | 35.3003K | 49 | 36.106CR | 48 |
| 33.352 | 5 | 33.428 / 33.428G | 4 | 33.523 | 15 | 35.0808K | 49 | 35.3005 | 49 | 36.106E | 48 |
| 33.353 | 5 | 33.429 | 14 | 33.524 | 15 | 35.10020K | 49 | 35.3005K | 49 | 36.106EG | 48 |
| 33.353NBR | 5 | 33.430 | 4 | 33.525 | 15 | 35.1003 | 49 | 35.3006K | 49 | 36.106ESP | 48 |
| 33.353S | 5 | 33.431A | 14 | 33.526 | 15 | 35.1003K | 49 | 35.3007 | 49 | 36.107CR | 48 |
| 33.353X | 5 | 33.432 | 2 | 33.527 | 15 | 35.1004 | 49 | 35.3007K | 49 | 36.107E | 48 |

Varenummerindex / product number index

| Vare Art | Side Page | Vare Art | Side Page | Vare Art | Side Page | Vare Art | Side Page | Vare Art | Side Page | Vare Art | Side Page |
|-------------|--------------|-------------|--------------|-----------------|--------------|-----------------|--------------|-------------|--------------|--------------|--------------|
| 36.108 | 48 | 36.2015 | 50 | 36.5005CR | 51 | 36.67502 | 56 | 36.K852 | 52 | 38.400-3 | 86 |
| 36.108CR | 48 | 36.2015SIH | 50 | 36.5005SIH | 50 | 36.68005CR-5952 | 56 | 36.K853 | 53 | 38.400-4 | 86 |
| 36.108E | 48 | 36.2020 | 50 | 36.5010 | 50 | 36.68005CR | 56 | 37.221/1G | 99 | 38.400-5 | 86 |
| 36.108EG | 48 | 36.2020CR | 51 | 36.5010X | 51 | 36.7003 | 48 | 37.250X | 93 | 38.400-6/650 | 86 |
| 36.109E | 48 | 36.2020SIH | 50 | 36.5020 | 50 | 36.7004.5X | 48 | 37.251X | 93 | 38.400-6 | 86 |
| 36.110 | 48 | 36.202 | 49 | 36.5020E | 50 | 36.7004 | 48 | 37.260 | 98 | 38.400-8 | 86 |
| 36.110CR | 48 | 36.208 | 49 | 36.5025 | 50 | 36.7005 | 48 | 37.261 | 98 | 38.401-10 | 86 |
| 36.110E | 48 | 36.2318X | 51 | 36.5030 | 50 | 36.7005X | 48 | 37.262 | 98 | 38.401-15 | 86 |
| 36.111E | 48 | 36.2503 | 50 | 36.6020NBR | 51 | 36.7006 | 48 | 37.263 | 98 | 38.401-20 | 86 |
| 36.112 | 48 | 36.2505 | 50 | 36.6030 | 50 | 36.7006X | 48 | 37.270 | 98 | 38.401-2 | 86 |
| 36.112CR | 48 | 36.2505X | 51 | 36.6030E | 50 | 36.7007X | 48 | 37.280 | 98 | 38.401-3 | 86 |
| 36.112E | 48 | 36.2507X | 51 | 36.60403 | 56 | 36.7008.5X | 48 | 37.400 | 98 | 38.401-4 | 86 |
| 36.112EG | 48 | 36.2508X | 51 | 36.60404 | 56 | 36.7008 | 48 | 38.1215 | 100 | 38.401-5 | 86 |
| 36.115 | 48 | 36.2510 | 50 | 36.60405 | 56 | 36.7008X | 48 | 38.1215N | 100 | 38.401-6 | 86 |
| 36.115CR | 48 | 36.2510E | 50 | 36.60503 | 56 | 36.7009 | 48 | 38.1215NH | 100 | 38.402-0,5 | 87 |
| 36.117E | 48 | 36.2510SIH | 50 | 36.60505 | 56 | 36.7009X | 48 | 38.121N | 100 | 38.402-1X | 87 |
| 36.118CR | 48 | 36.2512X | 51 | 36.60605 | 56 | 36.7010.5X | 48 | 38.121NX | 100 | 38.402-2X | 87 |
| 36.119CR | 48 | 36.2515 | 50 | 36.60802 | 56 | 36.7010 | 48 | 38.122 | 100 | 38.402-3X | 87 |
| 36.120 | 48 | 36.2515SIH | 50 | 36.60802CR | 56 | 36.7010X | 48 | 38.122A | 100 | 38.402-4X | 87 |
| 36.1205 | 50 | 36.2520 | 50 | 36.60803 | 56 | 36.7011.5X | 48 | 38.122EPDM | 100 | 38.402-5X | 87 |
| 36.1206 | 50 | 36.2520E | 50 | 36.60804 | 56 | 36.7011X | 48 | 38.122N | 100 | 38.403-2 | 87 |
| 36.120CR | 48 | 36.2520SIH | 50 | 36.60804CR | 56 | 36.7012 | 48 | 38.123 | 100 | 38.403-3 | 87 |
| 36.120E | 48 | 36.2520SIS | 50 | 36.60805 | 56 | 36.7012X | 48 | 38.123EPDM | 100 | 38.403-4 | 87 |
| 36.1210 | 50 | 36.2525 | 50 | 36.60808 | 56 | 36.7014X | 48 | 38.123N | 100 | 38.403-5 | 87 |
| 36.1210E | 50 | 36.2525E | 50 | 36.60808CR | 56 | 36.7015 | 48 | 38.123X | 100 | 38.403-6 | 87 |
| 36.1210X | 51 | 36.2525SIH | 50 | 36.61001 | 56 | 36.7018X | 48 | 38.124 | 100 | 38.403-8 | 87 |
| 36.1212SIH | 50 | 36.3003 | 50 | 36.61002 | 56 | 36.7028X | 48 | 38.124N | 100 | 38.404-10 | 87 |
| 36.1212X | 51 | 36.3003X | 51 | 36.61003 | 56 | 36.7050 | 48 | 38.125 | 100 | 38.404-12 | 87 |
| 36.122CR | 48 | 36.3005 | 50 | 36.61003CR | 56 | 36.7064X | 48 | 38.125N | 100 | 38.404-15 | 87 |
| 36.122E | 48 | 36.3005X | 51 | 36.61004 | 56 | 36.720802 | 55 | 38.125S | 100 | 38.404-20 | 87 |
| 36.12511X | 51 | 36.3006X | 51 | 36.61005 | 56 | 36.720803 | 55 | 38.126 | 100 | 38.404-2 | 87 |
| 36.125 | 48 | 36.3010 | 50 | 36.61008 | 56 | 36.720804 | 55 | 38.126N | 100 | 38.404-3 | 87 |
| 36.125E | 48 | 36.3010E | 50 | 36.61010 | 56 | 36.720903 | 55 | 38.128 | 100 | 38.404-4 | 87 |
| 36.130 | 48 | 36.3010SIH | 50 | 36.61010CR | 56 | 36.720904 | 55 | 38.128N | 100 | 38.404-5 | 87 |
| 36.130EX | 48 | 36.3015 | 50 | 36.61203 | 56 | 36.721004 | 55 | 38.128NH | 100 | 38.404-6 | 87 |
| 36.135E | 48 | 36.3015CR | 51 | 36.61204 | 56 | 36.721005 | 55 | 38.128S | 100 | 38.404-8 | 87 |
| 36.14044 | 53 | 36.3015X | 51 | 36.61205 | 56 | 36.721006 | 55 | 38.128SX | 100 | 38.405-10 | 87 |
| 36.1406X | 51 | 36.3020 | 50 | 36.61310 | 56 | 36.721202 | 55 | 38.130 | 100 | 38.405-10X | 87 |
| 36.1503 | 50 | 36.3020SIH | 50 | 36.61502 | 56 | 36.721203 | 55 | 38.130N | 100 | 38.405-15 | 87 |
| 36.1503E | 50 | 36.3020X | 51 | 36.61503 | 56 | 36.7213564 | 55 | 38.132 | 100 | 38.405-20 | 87 |
| 36.1505E | 50 | 36.3025E | 50 | 36.61505 | 56 | 36.721503 | 55 | 38.132N | 100 | 38.405-40 | 87 |
| 36.1505SIH | 50 | 36.3030 | 50 | 36.61506 | 56 | 36.721504 | 55 | 38.135 | 100 | 38.405-6 | 87 |
| 36.1505X | 51 | 36.3305X | 51 | 36.61508 | 56 | 36.721508 | 55 | 38.135N | 100 | 38.405-8 | 87 |
| 36.1507X | 51 | 36.3314 | 49 | 36.61510 | 56 | 36.721508B | 55 | 38.136 | 100 | 38.407-3 | 89 |
| 36.1510 | 50 | 36.3315 | 53 | 36.61512 | 56 | 36.722004 | 55 | 38.137 | 100 | 38.407-3C | 89 |
| 36.1510E | 50 | 36.3351 | 53 | 36.61518 | 56 | 36.730805H | 54 | 38.138 | 100 | 38.407-3G | 89 |
| 36.1512 | 50 | 36.3354 | 53 | 36.61530 | 56 | 36.730808 | 54 | 38.139 | 100 | 38.407-3X | 89 |
| 36.1512E | 50 | 36.34155105 | 48 | 36.61603 | 56 | 36.730810 | 54 | 38.139N | 100 | 38.407-3XL | 89 |
| 36.1512SIH | 50 | 36.3416068 | 48 | 36.61609CR | 56 | 36.730906 | 54 | 38.140 | 100 | 38.410200 | 95 |
| 36.1515 | 50 | 36.341840 | 48 | 36.61710 | 56 | 36.730906H | 54 | 38.14124 | 99 | 38.410201 | 95 |
| 36.1604 | 50 | 36.342026 | 48 | 36.61808 | 56 | 36.730907 | 54 | 38.14572 | 99 | 38.410202 | 95 |
| 36.1605 | 50 | 36.342030 | 48 | 36.62002 | 56 | 36.730907G | 54 | 38.152EPDM | 51 | 38.410203 | 95 |
| 36.1610SIH | 50 | 36.342226 | 48 | 36.62003 | 56 | 36.730955 | 54 | 38.153EPDM | 51 | 38.418 | 89 |
| 36.1612E | 50 | 36.342232 | 48 | 36.62004 | 56 | 36.730955G | 54 | 38.154EPDM | 51 | 38.418N | 89 |
| 36.1612X | 51 | 36.342433 | 48 | 36.62004CR | 56 | 36.730955H | 54 | 38.155EPDM | 51 | 38.419A | 91 |
| 36.1616SIH | 50 | 36.342529 | 48 | 36.62005 | 56 | 36.731210 | 54 | 38.156EPDM | 51 | 38.419C | 90 |
| 36.1808G | 50 | 36.342840 | 48 | 36.62008 | 56 | 36.731210H | 54 | 38.158EPDM | 51 | 38.420CX | 91 |
| 36.1812SIH | 50 | 36.344511 | 48 | 36.62010 | 56 | 36.731412D | 54 | 38.160E/K | 56 | 38.420X | 91 |
| 36.1815EG | 50 | 36.3504 | 53 | 36.62305 | 56 | 36.732115 | 54 | 38.160EPDM | 51 | 38.420XL | 91 |
| 36.1816 | 50 | 36.3515X | 51 | 36.62502 | 56 | 36.740907 | 54 | 38.162EPDM | 51 | 38.422-1350 | 98 |
| 36.197 | 49 | 36.3516 | 50 | 36.62506 | 56 | 36.80955S | 54 | 38.165EPDM | 51 | 38.422-1650 | 98 |
| 36.198 | 49 | 36.3520E | 50 | 36.62510 | 56 | 36.90810 | 54 | 38.170E/K | 56 | 38.422-1750 | 98 |
| 36.198A | 49 | 36.3520X | 51 | 36.62525 | 56 | 36.9086S | 54 | 38.170EPDM | 51 | 38.423-1650 | 98 |
| 36.198CR | 49 | 36.3704 | 53 | 36.63005 | 56 | 36.9088S | 54 | 38.175E/K | 56 | 38.423-1750 | 98 |
| 36.198S | 49 | 36.3813 | 53 | 36.63005CR-5952 | 56 | 36.92117 | 54 | 38.175EPDM | 51 | 38.424-1800 | 98 |
| 36.199 | 49 | 36.3881 | 53 | 36.63010 | 56 | 36.B380 | 53 | 38.180NR | 51 | 38.425-3 | 92 |
| 36.2002 | 50 | 36.3882 | 53 | 36.63012 | 56 | 36.K608 | 52 | 38.188 | 56 | 38.425-3C | 92 |
| 36.2003 | 50 | 36.3897 | 53 | 36.63030CR | 56 | 36.K613 | 52 | 38.189 | 56 | 38.425-5 | 92 |
| 36.2003SIH | 50 | 36.4010 | 50 | 36.63204CR | 56 | 36.K616 | 52 | 38.190 | 56 | 38.425-5C | 92 |
| 36.200 | 49 | 36.4010E | 50 | 36.64003 | 56 | 36.K671 | 52 | 38.191 | 56 | 38.425N-3 | 92 |
| 36.2005 | 50 | 36.4010X | 51 | 36.64005 | 56 | 36.K675 | 52 | 38.201.5 | 100 | 38.425N-5 | 92 |
| 36.2005SIH | 50 | 36.4012 | 50 | 36.64005CR | 56 | 36.K676 | 52 | 38.202 | 100 | 38.426-3 | 92 |
| 36.2005X | 51 | 36.4012SIH | 50 | 36.64010 | 56 | 36.K677 | 52 | 38.203 | 100 | 38.426-3C | 92 |
| 36.2008X | 51 | 36.4015 | 50 | 36.64015 | 56 | 36.K678 | 52 | 38.205 | 100 | 38.426-3CX | 92 |
| 36.2010 | 50 | 36.4015E | 50 | 36.65003 | 56 | 36.K679 | 52 | 38.345522 | 97 | 38.426-5 | 92 |
| 36.2010CR | 51 | 36.4020CR | 51 | 36.65005CR-5952 | 56 | 36.K680 | 52 | 38.400-10 | 86 | 38.426-5C | 92 |
| 36.2010E | 50 | 36.4020E | 50 | 36.65005CR | 56 | 36.K681 | 52 | 38.400-12 | 86 | 38.426-5CX | 92 |
| 36.2010SIH | 50 | 36.4020X | 51 | 36.65007CR | 56 | 36.K683 | 52 | 38.400-15 | 86 | 38.426-8C | 92 |
| 36.2010SIHK | 50 | 36.4025 | 50 | 36.65010 | 56 | 36.K695 | 52 | 38.400-20 | 86 | 38.427-3C | 89 |
| 36.2010SIS | 50 | 36.4025E | 50 | 36.6600.4X | 56 | 36.K697 | 52 | 38.400-25 | 86 | 38.427-3GC | 89 |
| 36.2010X | 51 | 36.4030E | 50 | 36.66004 | 56 | 36.K698 | 52 | 38.400-2 | 86 | 38.429-2 | 88 |

Varenummerindex / product number index

| Vare Art. | Side Page | Vare Art. | Side Page | Vare Art. | Side Page | Vare Art. | Side Page | Vare Art. | Side Page | Vare Art. | Side Page |
|--------------|-----------|-------------|-----------|--------------|-----------|------------------|-----------|----------------|-----------|----------------|-----------|
| 38.430-10/70 | 99 | 39.1637 | 110 | 39.4087 | 74 | 39.685 | 74 | 39.C75/100 | 72 | 39.E30/35 | 70 |
| 38.430-10/90 | 99 | 39.1638 | 110 | 39.4110 | 75 | 39.69 | 75 | 39.C75/30-M10 | 72 | 39.E40/15-SH43 | 70 |
| 38.430-5/70 | 99 | 39.1639 | 110 | 39.4129 | 75 | 39.79 | 75 | 39.C75/30 | 72 | 39.E40/20-M6 | 70 |
| 38.430-5/80 | 99 | 39.1640 | 110 | 39.4156 | 74 | 39.93 | 75 | 39.C75/55-43 | 72 | 39.E40/20 | 70 |
| 38.430-8/70 | 99 | 39.1641 | 110 | 39.4178 | 74 | 39.AV2024 | 73 | 39.C75/55-M10 | 72 | 39.E40/30 | 70 |
| 38.430-8/90 | 99 | 39.1642 | 110 | 39.4224 | 75 | 39.AV30 | 73 | 39.C75/55 | 72 | 39.E50/20-M10 | 71 |
| 38.431-3 | 92 | 39.1643 | 110 | 39.4229 | 75 | 39.AV5068 | 73 | 39.D10/10 | 69 | 39.E50/20-M12 | 71 |
| 38.431-5 | 92 | 39.1644 | 110 | 39.4244 | 75 | 39.AV50 | 73 | 39.D100/30 | 72 | 39.E50/20 | 71 |
| 38.431 | 92 | 39.167G | 63 | 39.4249 | 75 | 39.AV9580 | 73 | 39.D100/50 | 72 | 39.E50/25-M12 | 71 |
| 38.432 | 88 | 39.168G | 63 | 39.4250 | 75 | 39.B100/30 | 72 | 39.D100/75 | 72 | 39.E50/25 | 71 |
| 38.433 | 88 | 39.169G | 63 | 39.4251 | 75 | 39.B100/40 | 72 | 39.D15/10-M6 | 69 | 39.E50/40-M12 | 71 |
| 38.434 | 90 | 39.170G | 63 | 39.4257 | 75 | 39.B100/50 | 72 | 39.D15/10 | 69 | 39.E50/40 | 71 |
| 38.434A | 90 | 39.171G | 63 | 39.4269 | 75 | 39.B100/75 | 72 | 39.D15/15-M6 | 69 | 39.E60/30-M12 | 71 |
| 38.435C | 90 | 39.171J | 63 | 39.4310 | 75 | 39.B16/18 | 69 | 39.D15/15 | 69 | 39.E60/30 | 71 |
| 38.436C | 91 | 39.172 | 63 | 39.4311 | 75 | 39.B20/10-M6 | 69 | 39.D150/50 | 72 | 39.E60/40-M12 | 71 |
| 38.440-6 | 98 | 39.173 | 64 | 39.4333 | 74 | 39.B20/10 | 69 | 39.D20/15E | 69 | 39.E60/40 | 71 |
| 38.440-6A | 98 | 39.174 | 63 | 39.4380 | 75 | 39.B20/15 | 69 | 39.D20/20-M6 | 69 | 39.E70/35 | 71 |
| 38.440-8 | 98 | 39.175H | 63 | 39.4380X | 74 | 39.B2020 | 69 | 39.D20/20 | 69 | 39.E70/50 | 71 |
| 38.440-8A | 98 | 39.175J | 63 | 39.4381 | 75 | 39.B25/25-M6 | 70 | 39.D200/100 | 72 | 39.E75/30-M12 | 72 |
| 38.440-8X | 98 | 39.177 | 63 | 39.4399 | 74 | 39.B25/25 | 70 | 39.D30/10-M6 | 70 | 39.E75/30 | 72 |
| 38.449-1200 | 99 | 39.178 | 63 | 39.4403 | 75 | 39.B2513 | 69 | 39.D30/10 | 70 | 39.E75/50-M12 | 72 |
| 38.449-750 | 99 | 39.179 | 63 | 39.500500A | 76 | 39.B30/20 | 70 | 39.D30/15-M6 | 70 | 39.E75/50 | 72 |
| 38.450-760 | 99 | 39.180 | 67 | 39.55 | 75 | 39.B30/20X | 70 | 39.D30/15 | 70 | 39.E80/50-M16 | 72 |
| 38.451-1600 | 99 | 39.181052 | 64 | 39.56 | 75 | 39.B30/30-M6 | 70 | 39.D30/20-M6 | 70 | 39.E80/50 | 72 |
| 38.452-1200 | 99 | 39.181060 | 64 | 39.57 | 75 | 39.B30/30 | 70 | 39.D30/20 | 70 | 39.KD25/17 | 73 |
| 38.5017530 | 95 | 39.181061 | 64 | 39.620J | 64 | 39.B40/20 | 70 | 39.D30/30-M6 | 70 | 39.KD50/18 | 73 |
| 38.5017530 | 95 | 39.181 | 67 | 39.623J | 64 | 39.B40/30 | 70 | 39.D30/30 | 70 | 39.KP-D10/10 | 73 |
| 38.5501110 | 97 | 39.1819 | 109 | 39.624 | 64 | 39.B40/35 | 70 | 39.D40/15-M6 | 70 | 39.KP-D115/136 | 73 |
| 38.5501210 | 97 | 39.182 | 67 | 39.625 | 64 | 39.B50/21 | 71 | 39.D40/15 | 70 | 39.KP-D118/77 | 73 |
| 38.5501310 | 97 | 39.183 | 67 | 39.626J | 64 | 39.B50/30 | 71 | 39.D40/20-A2 | 70 | 39.KP-D15/22 | 73 |
| 38.623750 | 97 | 39.183A | 67 | 39.627 | 64 | 39.B50/50-M10 | 71 | 39.D40/20-M10 | 70 | 39.KP-D20/15 | 73 |
| 38.623752 | 97 | 39.183B | 67 | 39.628 | 64 | 39.B50/50 | 71 | 39.D40/20-M6 | 70 | 39.KP-D25/16 | 73 |
| 38.623764 | 97 | 39.183C | 67 | 39.629 | 64 | 39.B60/30 | 71 | 39.D40/20 | 70 | 39.KP-D25/20 | 73 |
| 38.8100110 | 94 | 39.184 | 67 | 39.630 | 65 | 39.B60/40 | 71 | 39.D40/25-A2 | 70 | 39.KP-D30/30 | 73 |
| 38.8100310 | 94 | 39.185 | 67 | 39.631A | 65 | 39.B75/30 | 72 | 39.D40/30-A2 | 70 | 39.KP-D30/36 | 73 |
| 38.8103110 | 94 | 39.186 | 67 | 39.631X | 65 | 39.B75/40 | 72 | 39.D40/30-M8 | 70 | 39.KP-D50/50 | 73 |
| 38.9110030 | 96 | 39.187 | 67 | 39.632A | 63 | 39.B75/50 | 72 | 39.D40/30 | 70 | 39.KP-D50/58 | 73 |
| 38.9117630 | 96 | 39.188 | 67 | 39.632B | 63 | 39.BUMPER-CAR2 | 78 | 39.D40/35-A2 | 70 | 39.KP-D50/61 | 73 |
| 38.9117631 | 96 | 39.200200 | 76 | 39.632C | 63 | 39.BUMPER-CAR | 78 | 39.D40/35 | 70 | 39.KP-D50/67 | 73 |
| 38.9716230 | 96 | 39.2486 | 74 | 39.632J | 63 | 39.BUMPER-FENDER | 78 | 39.D40/40-A2 | 70 | 39.KP-D60/40 | 73 |
| 38.9726230 | 94 | 39.2776 | 75 | 39.634 | 65 | 39.BUMPER | 103 | 39.D40/40 | 70 | 39.KP-D70/58 | 73 |
| 38.9730030 | 94 | 39.300300 | 76 | 39.634P | 65 | 39.BUMPERB | 103 | 39.D40/45-A2 | 70 | 39.KP-D70/60 | 73 |
| 38.9730030S | 94 | 39.300300A | 76 | 39.635 | 66 | 39.BUMPERC | 103 | 39.D50/20-M12 | 71 | 39.KP-D75/89 | 73 |
| 38.9750030 | 94 | 39.300300FK | 76 | 39.635X | 66 | 39.BUMPERD | 103 | 39.D50/20 | 71 | 39.KP-E10/10 | 73 |
| 38.9971010 | 99 | 39.3010 | 74 | 39.636 | 66 | 39.BUMPERE | 103 | 39.D50/25-M12 | 71 | 39.KP-E115/136 | 73 |
| 38.9971020 | 99 | 39.3023 | 75 | 39.636H | 66 | 39.C100/40 | 72 | 39.D50/25 | 71 | 39.KP-E118/77 | 73 |
| 39.103195 | 73 | 39.3029 | 75 | 39.636X | 66 | 39.C100/50 | 72 | 39.D50/30-M10 | 71 | 39.KP-E15/22 | 73 |
| 39.1208P | 24 | 39.3051 | 75 | 39.637 | 64 | 39.C100/75 | 72 | 39.D50/30 | 71 | 39.KP-E20/15 | 73 |
| 39.1501 | 108 | 39.3240 | 74 | 39.638 | 64 | 39.C150/40 | 72 | 39.D60/30-M12 | 71 | 39.KP-E20/24 | 73 |
| 39.1502 | 108 | 39.3366 | 75 | 39.642X | 65 | 39.C150/50 | 72 | 39.D60/30 | 71 | 39.KP-E25/16 | 73 |
| 39.1503 | 108 | 39.3381 | 75 | 39.643X | 65 | 39.C150/75 | 72 | 39.D60/40-M12 | 71 | 39.KP-E25/20 | 73 |
| 39.1504 | 108 | 39.3428 | 75 | 39.644 | 65 | 39.C20/10 | 69 | 39.D60/40 | 71 | 39.KP-E30/30 | 73 |
| 39.1506 | 108 | 39.3581 | 75 | 39.645 | 68 | 39.C20/20 | 69 | 39.D6050 | 71 | 39.KP-E30/36 | 73 |
| 39.1507 | 108 | 39.360 | 64 | 39.646 | 64 | 39.C200/100 | 72 | 39.D65/35 | 71 | 39.KP-E35/40 | 73 |
| 39.1508 | 108 | 39.36412 | 75 | 39.647 | 65 | 39.C25/10 | 69 | 39.D70/40-M12 | 71 | 39.KP-E50/50 | 73 |
| 39.1509 | 108 | 39.3700 | 75 | 39.648 | 65 | 39.C25/15 | 70 | 39.D70/40 | 71 | 39.KP-E50/61 | 73 |
| 39.1510 | 108 | 39.3722 | 74 | 39.649 | 65 | 39.C25/25-M6 | 70 | 39.D70/70 | 71 | 39.KP-E50/67 | 73 |
| 39.1511 | 108 | 39.3726 | 75 | 39.650 | 65 | 39.C30/20 | 70 | 39.D75/30 | 72 | 39.KP-E50/68 | 73 |
| 39.1512 | 108 | 39.3802 | 75 | 39.651A | 65 | 39.C30/30 | 70 | 39.D75/50-M10 | 72 | 39.KP-E60/40 | 73 |
| 39.1513 | 108 | 39.3803 | 75 | 39.652 | 65 | 39.C40/25 | 70 | 39.DC300300 | 78 | 39.KP-E70/58 | 73 |
| 39.1514 | 108 | 39.3803X | 74 | 39.653 | 65 | 39.C40/30 | 70 | 39.DD300300 | 77 | 39.KP-E70/60 | 73 |
| 39.1515 | 108 | 39.3813 | 75 | 39.654 | 109 | 39.C40/40-M10 | 70 | 39.E100/25 | 72 | 39.KP-E75/89 | 73 |
| 39.1616 | 109 | 39.3815 | 75 | 39.655 | 109 | 39.C40/40 | 70 | 39.E100/30 | 72 | 39.KP-E95/80 | 73 |
| 39.1617 | 109 | 39.3846 | 74 | 39.656 | 66 | 39.C50/20 | 71 | 39.E100/40 | 72 | 39.M1810 | 69 |
| 39.1618 | 109 | 39.3849 | 75 | 39.657 | 66 | 39.C50/25 | 71 | 39.E100/50 | 72 | 39.M20/10-M6 | 69 |
| 39.1620 | 109 | 39.3868 | 74 | 39.658 | 66 | 39.C50/30-68 | 71 | 39.E100/75 | 72 | 39.M20/10 | 69 |
| 39.1621 | 109 | 39.3872 | 74 | 39.659 | 66 | 39.C50/30-M8 | 71 | 39.E150/50-M20 | 72 | 39.M2015 | 69 |
| 39.1622 | 109 | 39.3873 | 74 | 39.660 | 66 | 39.C50/30 | 71 | 39.E150/50 | 72 | 39.M2020-M8 | 69 |
| 39.1623 | 109 | 39.3874 | 74 | 39.661 | 66 | 39.C50/35 | 71 | 39.E150/75-M20 | 72 | 39.M2020 | 69 |
| 39.1624 | 109 | 39.3875 | 74 | 39.662 | 66 | 39.C50/40-M12 | 71 | 39.E150/75 | 72 | 39.M24 | 65 |
| 39.1625 | 109 | 39.3876 | 74 | 39.663 | 66 | 39.C50/40 | 71 | 39.E20/10-M6 | 69 | 39.M2515 | 70 |
| 39.1626 | 109 | 39.3878 | 75 | 39.664 | 66 | 39.C50/45 | 71 | 39.E20/10 | 69 | 39.M2520-M6 | 70 |
| 39.1627 | 109 | 39.3879 | 75 | 39.665 | 66 | 39.C60/30-M8 | 71 | 39.E200/100 | 72 | 39.M2520 | 70 |
| 39.1628 | 109 | 39.3887 | 74 | 39.674 | 74 | 39.C60/30 | 71 | 39.E25/10-M6 | 69 | 39.M30/10 | 70 |
| 39.1630 | 110 | 39.3904X | 74 | 39.678 | 74 | 39.C60/40-M10 | 71 | 39.E25/10 | 69 | 39.M3015-M8x12 | 70 |
| 39.1631 | 110 | 39.3923 | 75 | 39.678X | 74 | 39.C60/40-M12 | 71 | 39.E30/15-M6 | 70 | 39.M3015-M8x15 | 70 |
| 39.1632 | 110 | 39.3925 | 75 | 39.680H-1180 | 74 | 39.C60/40 | 71 | 39.E30/15 | 70 | 39.M3020-55 | 70 |
| 39.1633 | 110 | 39.3952 | 75 | 39.680H | 74 | 39.C65/35-M10 | 71 | 39.E30/20-M6 | 70 | 39.M3020 | 70 |
| 39.1634 | 110 | 39.4012 | 75 | 39.680X | 74 | 39.C65/35 | 71 | 39.E30/20 | 70 | 39.M3030-SS | 70 |
| 39.1635 | 110 | 39.4025 | 70 | 39.684X | 74 | 39.C70/45-M10 | 72 | 39.E30/30-M6 | 70 | 39.M3030 | 70 |
| 39.1636 | 110 | 39.4054 | 75 | 39.684XS | 74 | 39.C75/100-M16 | 72 | 39.E30/30 | 70 | 39.M40/20 | 70 |

Varenummerindex / product number index

| Vare Art | Side Page | Vare Art | Side Page | Vare Art | Side Page | Vare Art | Side Page |
|--------------|--------------|--------------|--------------|---------------|--------------|------------------|--------------|
| 39.M40/40 | 70 | 48.605B | 84 | 50.260-5 | 22 | 79.051A | 102 |
| 39.M4030 | 70 | 48.605X | 84 | 50.260-6 | 22 | 79.052 | 102 |
| 39.M4038 | 70 | 48.605Y | 84 | 50.260-8 | 22 | 79.053 | 102 |
| 39.M5025 | 71 | 48.608 | 84 | 50.261 | 102 | 79.054 | 102 |
| 39.M5030 | 71 | 48.609 | 84 | 50.263 | 102 | 79.055 | 102 |
| 39.M5040 | 71 | 48.612 | 85 | 50.263K-10 | 102 | 83.842 | 111 |
| 39.M5045 | 71 | 48.613K | 83 | 50.263K | 102 | 84.840084 | 111 |
| 39.M5050 | 71 | 48.618 | 85 | 50.264-10 | 101 | 84.930 | 111 |
| 39.M6035 | 71 | 48.621 | 84 | 50.264 | 102 | 84.931 | 111 |
| 39.M6050 | 71 | 48.622 | 84 | 50.265-10 | 101 | 84.932T | 111 |
| 39.M7540 | 72 | 48.622X | 84 | 50.265 | 101 | 84.934 | 111 |
| 39.M7550 | 72 | 48.623 | 84 | 50.266 | 101 | 84.934X | 111 |
| 39.M7560 | 72 | 48.623X | 84 | 50.267-10 | 102 | 84.935 | 111 |
| 39.M8050 | 72 | 48.624 | 84 | 50.267 | 102 | 84.961 | 111 |
| 39.SC300300 | 78 | 48.626 | 83 | 50.267NR | 102 | 87.082020 | 112 |
| 39.SD300250 | 77 | 48.634 | 83 | 50.269 | 102 | 87.1034 | 112 |
| 39.SD300300 | 77 | 48.634F | 83 | 50.271 | 101 | 87.1035 | 112 |
| 41.13459 | 32 | 48.634K | 83 | 50.275 | 101 | 87.1738 | 112 |
| 41.13459X | 32 | 48.634KF | 83 | 50.276 | 101 | 87.1739 | 112 |
| 41.333S | 24 | 48.635 | 83 | 50.280 | 102 | 87.2000 | 112 |
| 41.406 | 33 | 48.635F | 83 | 52.13689-5 | 107 | 87.51989 | 112 |
| 41.611P | 33 | 48.635K | 83 | 52.13689A | 107 | 87.52759 | 112 |
| 41.670 | 32 | 48.635KF | 83 | 52.13689B | 107 | 87.7051 | 112 |
| 41.674A | 24 | 48.636 | 83 | 52.13689C | 107 | 87.723 | 112 |
| 41.675A | 24 | 48.636F | 83 | 52.269X | 42 | 87.727 | 112 |
| 41.678 | 24 | 48.636FX | 83 | 52.CWC8 | 67 | 87.770/10 | 112 |
| 45.102G | 61 | 48.636K | 83 | 52.PP106 | 31 | D-fender | 76 |
| 45.123 | 62 | 48.636KF | 83 | 54.261700J-5 | 104 | D-fender | 76 |
| 45.2031024 | 62 | 50.083000GG | 36 | 54.261700JX-5 | 104 | D-fender | 76 |
| 45.20511046 | 62 | 50.083000SS | 36 | 54.261720J-5 | 104 | DC-fender | 78 |
| 45.20511091 | 62 | 50.083013 | 34 | 54.261740J-5 | 104 | DD-fender | 77 |
| 45.2051445 | 62 | 50.083015GG | 34 | 54.261760J-5 | 104 | Keyhole fender | 79 |
| 45.205SX | 33 | 50.083015GGX | 34 | 54.261780J-5 | 104 | KF-A-fender | 79 |
| 45.206AL | 60 | 50.083030 | 34 | 54.710720 | 34 | KF-B-fender | 79 |
| 45.208 | 33 | 50.083032GG | 34 | 54.710770 | 35 | KF-C-fender | 79 |
| 45.209BX | 33 | 50.083033 | 34 | 54.710780 | 36 | KF-D-fender | 79 |
| 45.210B | 33 | 50.083033X | 34 | 57.400/3E | 80 | MC-fender | 79 |
| 45.210BX | 33 | 50.083040 | 34 | 57.401/3E | 80 | POM, PVC | 114 |
| 45.210C | 33 | 50.083040G | 34 | 57.402/3E | 80 | S10.3301 | 111 |
| 45.210CX | 33 | 50.083040GG | 34 | 57.403/2.5J | 81 | S10.3303 | 111 |
| 45.216C-50 | 61 | 50.083040GS | 34 | 57.403/3E | 80 | S10.3311 | 111 |
| 45.217C | 60 | 50.083045G | 34 | 57.404/3E | 80 | S10.3312 | 111 |
| 45.221C | 60 | 50.083045X | 34 | 57.405/2J | 81 | S10.3313 | 111 |
| 45.224 | 60 | 50.083046 | 34 | 57.405/3E | 80 | S10.3314 | 111 |
| 45.235N1057 | 62 | 50.083050 | 34 | 57.406/3E | 80 | SC-fender | 78 |
| 45.235N429 | 62 | 50.083050G | 35 | 57.407/3E | 80 | SD-fender | 77 |
| 45.235NG1057 | 62 | 50.083050GG | 34 | 57.408/3E | 80 | TPE | 114 |
| 45.235NG429 | 62 | 50.083052G | 35 | 57.410/3E | 80 | Wing-type-fender | 79 |
| 45.308C-50 | 61 | 50.083055G | 35 | 57.411/3E | 80 | | |
| 45.308C | 61 | 50.083059 | 35 | 57.412/3E | 80 | | |
| 45.309C-50 | 61 | 50.083060 | 35 | 57.413/3E | 80 | | |
| 45.309C | 61 | 50.083060G | 35 | 57.423/3E | 80 | | |
| 45.347C | 60 | 50.083061 | 35 | 57.424/3E | 80 | | |
| 45.383C | 60 | 50.083065 | 35 | 57.425/3E | 80 | | |
| 45.388C | 60 | 50.083065G | 35 | 57.426/3E | 80 | | |
| 45.393 | 62 | 50.083070B | 35 | 57.427/3E | 80 | | |
| 45.394 | 62 | 50.083070G | 35 | 57.428/3E | 80 | | |
| 45.705C | 60 | 50.083080G | 35 | 57.429/3E | 80 | | |
| 45.832 | 60 | 50.083080GG | 35 | 57.430/3E | 80 | | |
| 45.836 | 60 | 50.083081 | 35 | 57.431/3E | 80 | | |
| 45.837 | 60 | 50.083088 | 35 | 57.440/3E | 80 | | |
| 45.839 | 60 | 50.083089 | 36 | 57.441/3E | 80 | | |
| 45.872 | 60 | 50.083090 | 36 | 57.442/3E | 80 | | |
| 45.874 | 60 | 50.083095 | 36 | 57.443/2JP | 81 | | |
| 45.882 | 60 | 50.083095B | 36 | 57.443/3E | 80 | | |
| 45.884C | 60 | 50.083095G | 36 | 57.444/3E | 80 | | |
| 45.886 | 61 | 50.13621 | 102 | 57.445/3E | 80 | | |
| 45.886G | 61 | 50.241NR | 101 | 57.446/3E | 80 | | |
| 45.894 | 61 | 50.242NR | 101 | 57.447/3E | 80 | | |
| 45.901 | 62 | 50.243-10 | 102 | 57.448/3E | 80 | | |
| 45.980A | 61 | 50.243NR | 102 | 57.449/3E | 80 | | |
| 45.980K | 61 | 50.244NR | 101 | 57.450/3E | 80 | | |
| 45.980S | 61 | 50.245H | 101 | 57.451/3E | 80 | | |
| 48.442 | 85 | 50.245NR | 101 | 57.452/3E | 80 | | |
| 48.451 | 84 | 50.246-10 | 101 | 57.453/3E | 80 | | |
| 48.452 | 84 | 50.246NR | 101 | 57.454/3E | 80 | | |
| 48.542 | 85 | 50.247-10 | 101 | 57.455/3E | 80 | | |
| 48.544A | 85 | 50.247NR | 101 | 57.456/3E | 80 | | |
| 48.603 | 83 | 50.250 | 102 | 63.55030 | 85 | | |
| 48.604 | 83 | 50.260-10 | 22 | 68.4250 | 85 | | |
| 48.605 | 84 | 50.260-4 | 22 | 79.051 | 102 | | |

Milestones

Participating interests, acquisitions and foundations of subsidiaries

- | | | | |
|-------------|--|-------------|---|
| 1947 | BIBUS AG, Switzerland | 2007 | A/S H. SINDBY & Co., Denmark BIBUS (BY) COOO, Belarus BIBUS Bulgaria Ltd., Bulgaria BIBUS Vietnam Co., Ltd., Vietnam |
| 1976 | BIBUS HYDRAULIK AG, Switzerland | 2008 | BIBUS METALS Ltd., Hong Kong BIBUS METALS o.o.o., Russia BIBUS Eurofluid SRL, Romania |
| 1977 | SAUTER EDELSTAHL AG, Switzerland | 2009 | BIBUS SPAIN, S.L., Spain BIBUS Portugal, Lda, Portugal |
| 1979 | BIBUS METALS AG, Switzerland | 2010 | BIBUS Shanghai Mec., Ltd., China WESER-PUMPEN GmbH, Germany BIBUS METALS (Shenzhen) Ltd., China |
| 1990 | BIBUS METALS GmbH, Germany MPL AG, Switzerland ELSOFT AG, Switzerland | 2011 | BIBUS METALS s.r.o., Czech Republic BIBUS METALS Ltd., Great Britain BIBUS Otomasyon Ltd. Sti., Turkey |
| 1992 | BIBUS s.r.o., Czech Republic MPI Distribution AG, Switzerland | 2012 | BIBUS Horizon Ltd, India BIBUS doo, Bosnia |
| 1994 | SAUER BIBUS GmbH, Germany | 2013 | BIBUS (Thailand) Company Ltd, Thailand CNS Universal Company Ltd, Thailand BIBUS Italia Srl, Italy |
| 1997 | BIBUS GmbH, Germany BIBUS Zagreb d.o.o., Croatia | 2014 | BIBUS Malaysia Sdn. Bhd., Malaysia BIBUS Baltics SIA, Latvia |
| 1999 | BIBUS MENOS Sp. z o.o., Poland BIBUS SK s.r.o., Slovakia | 2016 | BIBUS Hidrotos Hidrolik A.S., Turkey |
| 2000 | BIBUS Austria GmbH, Austria BIBUS (UK) Ltd., Great Britain BIBUS METALS Sp. z o.o., Poland BIBUS Kft, Hungary | 2017 | S+D Spezialstahl Handelsgesellschaft mbH, Germany |
| 2001 | BIBUS France S.A.S., France BIBUS METALS Kft, Hungary | 2018 | BIBUS Romicon B.V., Netherlands |
| 2004 | INOTEH d.o.o., Slovenia BIBUS METALS BULGARIA EOOD, Bulgaria BIBUS METALS S.R.L., Romania | 2018 | OMC Costruzioni Oleomeccaniche Srl, Italy |
| 2005 | BIBUS Ukraine TOV, Ukraine BIBUS o.o.o., Russia BIBUS METALS TOV, Ukraine | | |
| 2006 | BIBUS SES SRL, Romania | | |

 *Switzerland Headquarter*
BIBUS AG
www.bibus.ch


BIBUS HYDRAULIK AG
www.bibushydraulik.ch

 *Germany*
BIBUS GmbH
www.bibus.de

SAUER BIBUS GmbH
www.sauerbibus.de

WESER-PUMPEN GmbH
www.weser-pumpen.de

 *Austria*
BIBUS Austria GmbH
www.bibus.at

 *Belarus*
BIBUS (BY) COOO
www.bibus.by


 *Bosnia*
BIBUS doo
www.bibus.ba

 *Bulgaria*
BIBUS Bulgaria Ltd.
www.bibus.bg

 *China*
BIBUS Shanghai Mec., Ltd.
www.bibuschina.cn

 *Croatia*
BIBUS Zagreb d.o.o.
www.bibus.hr

 *Czech Republic*
BIBUS s.r.o.
www.bibus.cz

 *Denmark*
BIBUS SINDBY A/S
www.bibus-sindby.dk


 *France*
BIBUS France S.A.S.
www.bibusfrance.fr

 *Great Britain*
BIBUS (UK) Ltd
www.bibus.uk

 *Hungary*
BIBUS Kft
www.bibus.hu

 *India*
BIBUS India Pvt Ltd.
www.bibus.in

 *Italy*
BIBUS Italy
www.bibus.it
**OMC Costruzioni
Oleomeccaniche Srl.**
www.omcoleomeccanica.com

 *Latvia*
BIBUS Baltics SIA
www.bibusbaltics.eu

 *Poland*
BIBUS MENOS Sp. z o.o.
www.bibusmenos.pl

 *Portugal*
BIBUS Portugal, Lda
www.bibus.pt

 *Romania*
BIBUS SES SRL
www.bibus.ro

 *Russia*
BIBUS o.o.o.
www.bibus.ru

 *Slovakia*
BIBUS SK s.r.o.
www.bibus.sk

 *Slovenia*
INOTEH d.o.o.
www.inoteh.si

 *Spain*
BIBUS SPAIN, S.L.
www.bibus.es

 *Thailand*
BIBUS Thailand Co. Ltd.
www.bibus.co.th

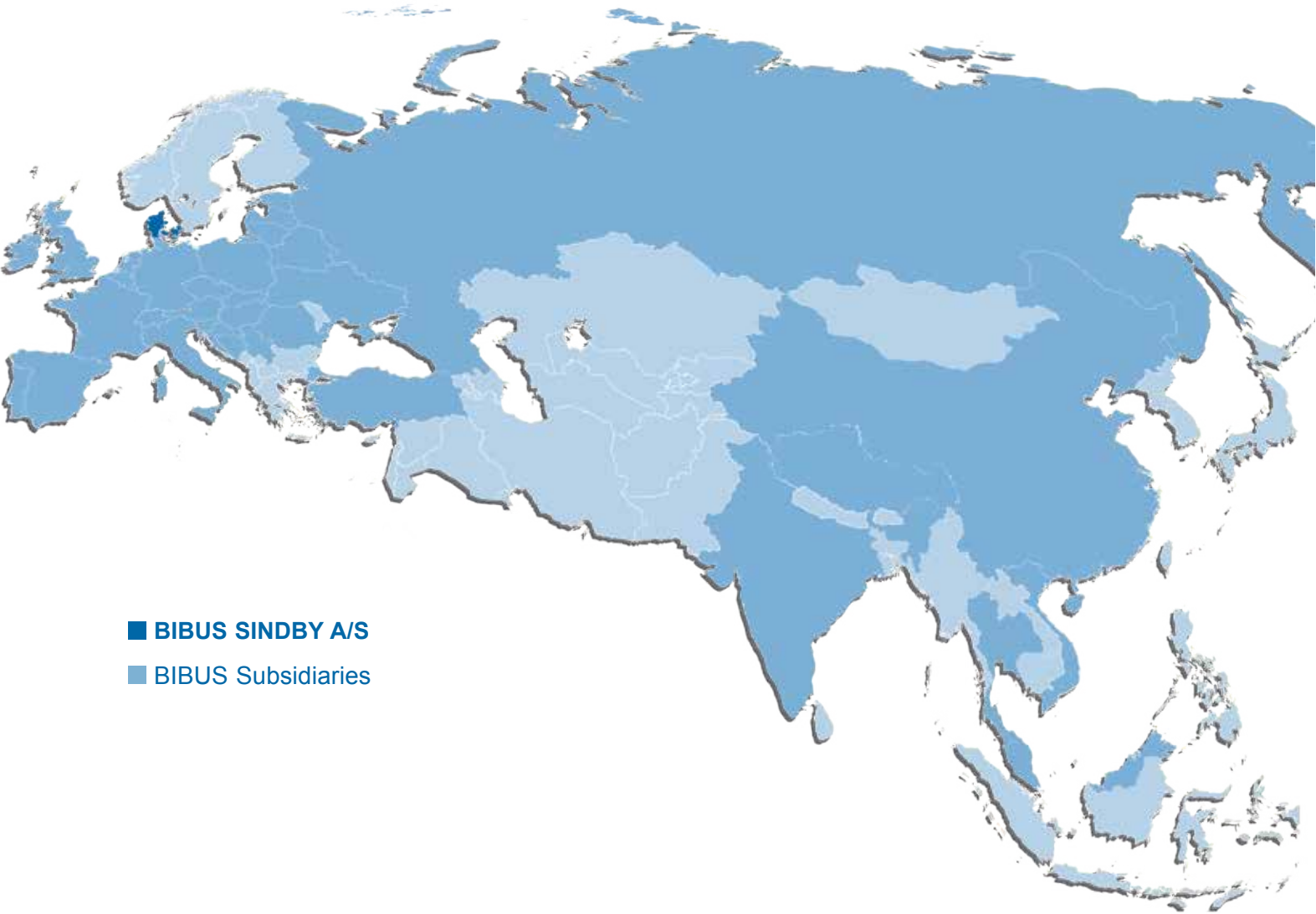
 *The Netherlands*
BIBUS Romicon B.V.
www.bibusromicon.nl

 *Turkey*
**BIBUS Otomasyon San.
ve Tic. Ltd. Sti.**
www.bibus.com.tr
BIBUS Hidrotos A.Ş.
www.bibushidrotos.com.tr

 *Ukraina*
BIBUS Ukraine TOV
www.bibus.ua

 *Vietnam*
**BIBUS Vietnam
Engineering and
Commerce Company Ltd.**
www.bibus.vn

ENGINEERING
LOGISTICS
SERVICES



- **BIBUS SINDBY A/S**
- **BIBUS Subsidiaries**

BIBUS SINDBY A/S
Edisonvej 11
DK-7100 Vejle
Tel. +45 75 88 21 22
Fax +45 75 88 21 21
bibus@bibus.dk