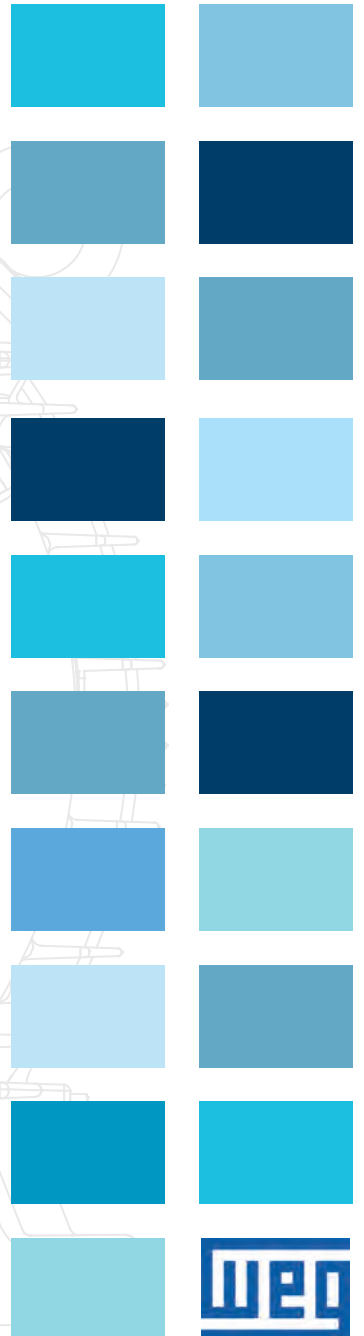
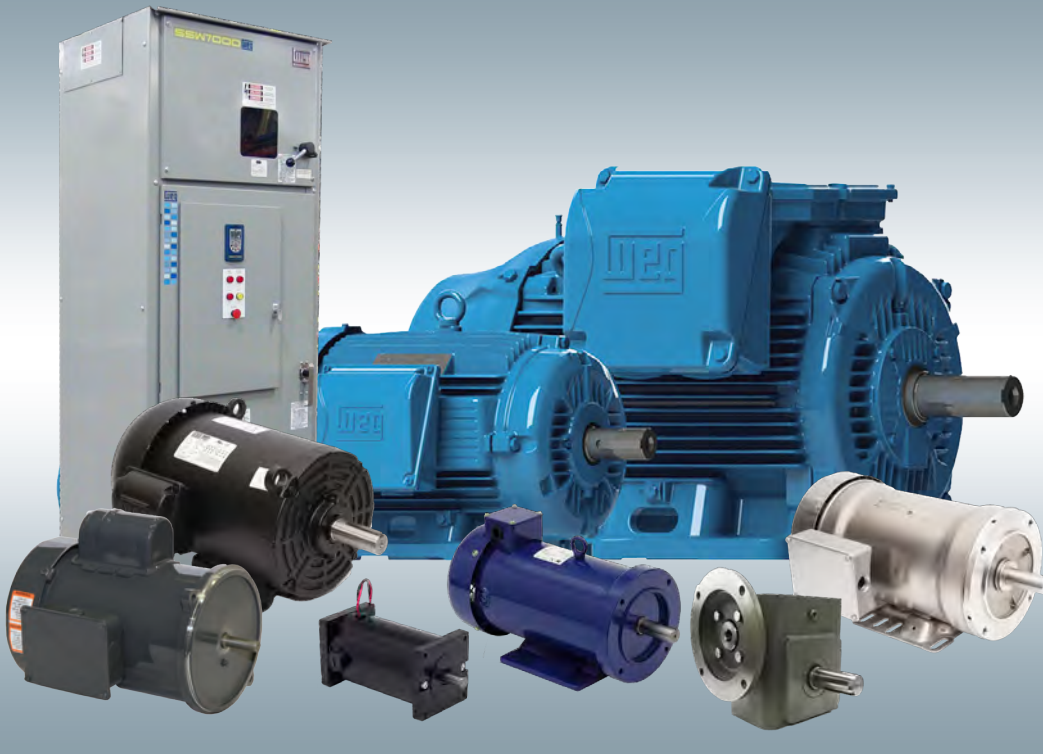


WEG Standard Product Catalog

Motors, Enclosed Motor Controls, Gears and Alternators

2017





What's NEW



Wash Down Duty Motors

page A-123



HydroDuty™



PickerPlus™



HydroWash™

**Toughest, Longest Lasting Motors
for Washdown Applications**

Medium Voltage

page A-262



W50

**The New Generation of
WEG Motors for Heavy Duty
Applications
IN STOCK!**

Farm Duty Motors

page A-241



*Grain Dryer/Vane
Axial Fan*



Aeration Fan



*Auger Drive
Motor*



Irrigation Motors

**WEG offers a complete line of TEFC Farm Duty motors providing
high starting torque for the most demanding applications.**

Alternators

page A-276



DC Motors

page A-280



Speed Reducers

page A-287



Enclosed Motor Controls

page A-292



Low and Medium Voltage



1-800-ASK-4WEG | www.weg.net

SECTION A

Single-Phase General Purpose Motors - (A-17)

TEFC – Foot Mount	A-19
TEFC – C-Face – Foot Mount	A-21
TEFC – C-Face – Footless	A-22
TEFC – Foot Mount – Thermally Protected.	A-22
ODP – Foot Mount.	A-23
ODP – Resilient Base	A-24
ODP – C-Face – Foot Mount	A-25
ODP – C-Face – Footless	A-26
ODP – Foot Mount – Thermally protected	A-26

Three-Phase General Purpose Motors - (A-28)

TEFC – Foot Mount	A-32
TEFC – C-Face – Foot Mount	A-42
TEFC – C-Face – Footless	A-46
ODP – Foot Mount	A-50
ODP – C-Face – Foot Mount	A-56
ODP – C-Face – Footless	A-60
ODP – Resilient Base	A-60

IEEE 841 - Three-Phase

TEFC – Foot Mount – NEMA Premium®	A-62
TEFC – C-Face – Foot Mount – NEMA Premium®	A-66
TEFC – C-Face – Footless – NEMA Premium®	A-66

BRAKE MOTORS – Three-Phase

TEFC – Foot Mount	A-69
TEFC – C-Face – Foot Mount	A-70

IEC TRU-METRIC™ - Three-Phase

TEFC – Foot Mount	A-73
-----------------------------	------

Super Premium Efficiency Motors - (A-76)

GENERAL PURPOSE - Three-Phase

TEFC – Foot Mount – Super Premium	A-77
---	------

Severe Duty – Three-Phase Motors - (A-80)

GENERAL PURPOSE

TEFC – Foot Mount	A-83
TEFC – C-Face – Foot Mount	A-90
TEFC – C-Face – Footless	A-92

IEEE 841

TEFC – Foot Mount	A-94
TEFC – C-Face – Foot Mount	A-98
TEFC – C-Face – Footless	A-99

CRUSHER DUTY

TEFC – Foot Mount	A-102
-----------------------------	-------

VECTOR DUTY

TENV – Foot Mount – Double C-Face	A-104
---	-------

IEC TRU-METRIC™

TEFC – Foot Mount IE3	A-106
---------------------------------	-------

Single-Phase General Purpose Motors
Three-Phase General Purpose Motors
Super Premium Efficiency Motors
Severe Duty - Three-Phase Motors
Explosion Proof Motors
Wash Down Duty
Alternators
Fractional Motors
DC Motors and Gearmotors
Air Handling Motors
Speed Reducers
Pump Motors
Variable Frequency Drives and Enclosed Motor Controls
IEC Motors
Parts & Modifications
Farm Duty Motors
Electrical Data
Definite Purpose Motors
Mechanical Data
Medium Voltage Motors and Soft Starters
Catalog Index

Continued on next page

SECTION A

Explosion Proof Motors - (A-108)

SINGLE-PHASE

Foot Mount	A-110
C-Face – Foot Mount	A-110

THREE-PHASE

Foot Mount	A-112
C-Face – Foot Mount	A-116
C-Face – Footless	A-117
JP – Foot Mount	A-117
ATEX Foot Mount	A-120

Wash Down Duty - (A-123)

HYDRODUTY™ - STAINLESS STEEL

TEFC - Three-Phase - C-Face Foot Mount	A-126
TEFC – Three-Phase C-Face Footless	A-127

PICKERPLUS™ - WHITE EPOXY

TEFC - Three-Phase - C-Face Foot Mount	A-128
TEFC – Three-Phase C-Face Footless	A-128

SHARK™ - STAINLESS STEEL

TEFC - Three-Phase - C-Face Foot Mount	A-129
TEFC – Three-Phase C-Face Footless	A-130

HYDROWASH™ - WHITE EPOXY

TEFC - Three-Phase - C-Face Foot Mount	A-131
TEFC – Three-Phase C-Face Footless	A-131

WASHDOWN DUTY VARIABLE FREQUENCY DRIVE

CFW08 Washdown VFD - NEMA 4X Enclosure	A-134
CFW08 Options and Accessories	A-135
Dynamic Braking Resistors for CFW08 Wash	A-136
CFW08 Technical Data	A-137

Fractional Motors - (A-138)

SINGLE-PHASE

TEFC – Foot Mount	A-141
TEFC – C-Face – Foot Mount	A-142
TEFC – C-Face – Footless	A-142
TEFC – Foot Mount – Thermally Protected	A-143
ODP – Foot Mount	A-144
ODP – Resilient Base	A-145
ODP – C-Face – Foot Mount	A-146
ODP – C-Face – Footless	A-147
ODP – Foot Mount – Thermally Protected	A-147

THREE-PHASE

TEFC – Foot Mount	A-148
TEFC – C-Face – Foot Mount	A-149
TEFC – C-Face – Footless	A-150
ODP – Foot Mount	A-151
ODP – C-Face – Foot Mount	A-152
ODP – C-Face – Footless	A-153
ODP – Resilient Base	A-153

Continued on next page

Single-Phase General Purpose Motors
Three-Phase General Purpose Motors
Super Premium Efficiency Motors
Severe Duty - Three-Phase Motors
Explosion Proof Motors
Alternators
DC Motors and Generators
Speed Reducers
Variable Frequency Drives and Enclosed Motor Controls
Parts & Modifications
Electrical Data
Mechanical Data
Catalog Index

Wash Down Duty

Fractional
Motors

Air Handling
Motors

Pump Motors

IEC
Motors

Farm Duty
Motors

Definite Purpose
Motors

Medium Voltage
Motors and Soft
Starters

Fractional Motors - *continued*

DC MOTORS

NEMA 56 PMDC Motors	A-154
NEMA 145TC PMDC Motors	A-154

EXPLOSION PROOF - SINGLE-PHASE

Foot Mount	A-156
C-Face – Foot Mount	A-156

EXPLOSION PROOF - THREE-PHASE

Foot Mount	A-157
C-Face – Foot Mount	A-157

Air Handling Motors - (A-158)

COMMERCIAL HVAC MOTORS

TEFC – Single-Phase – Foot Mount	A-160
TEAO – Single-Phase – Resilient Base	A-160
TEAO – Single-Phase – Foot Mount	A-160
ODP – Single-Phase – Foot Mount	A-161
ODP – Single-Phase – Resilient Base	A-162
ODP – Three-Phase – Resilient Base	A-163
ODP – Single-Phase – Evaporative Cooler	A-163

HVAC MOTORS - WITH INTERNAL AEGIS® SGR

TEFC – Three-Phase – Foot Mount	A-164
ODP – Three-Phase – Foot Mount	A-168

COOLING TOWER MOTORS – THREE-PHASE

TEFC – Three-Phase – Foot Mount – NEMA Premium®	A-172
TEAO – Three-Phase – Foot Mount – NEMA Premium®	A-175
TEFC – Three-Phase – Double Speed (1 & 2 Windings) – High Efficiency	A-177

PAD MOUNT MOTORS – Three-Phase

TEAO – NEMA Premium®	A-181
----------------------------	-------

Pump Motors - (A-182)

JET PUMP SINGLE-PHASE (56C/56J FRAMES)

TEFC – Foot Mount	A-184
TEFC – Footless	A-184
ODP – Foot Mount	A-185
ODP – Footless	A-185

JET PUMP THREE-PHASE (56C/56J FRAMES)

TEFC – Foot Mount	A-186
TEFC – Footless	A-186
ODP – Foot Mount	A-187
ODP – Footless	A-187

POOL & SPA SINGLE-PHASE MOTORS

ODP – C-Face – Start Capacitor – High Service Factor	A-189
ODP – Square Face – Start Capacitor – High Service Factor	A-189
ODP – C-Face – Start Capacitor – Low Service Factor	A-190
ODP – Square Face – Start Capacitor – Low Service Factor	A-190

Continued on next page

Single-Phase
General Purpose
Motors

Three-Phase
General Purpose
Motors

Super Premium
Efficiency Motors

Severe Duty -
Three-Phase
Motors

Explosion Proof
Motors

Wash Down Duty

Alternators

Fractional
Motors

DC Motors and
Gearmotors

Air Handling
Motors

Speed Reducers

Pump Motors

Variable
Frequency
Drives and
Enclosed Motor
Controls

IEC
Motors

Parts &
Modifications

Farm Duty
Motors

Electrical Data

Definite Purpose
Motors

Mechanical Data

Medium Voltage
Motors and Soft
Starters

Catalog Index

SECTION A

Pump Motors - *continued*

CLOSE-COUPLED PUMP TEFC MOTORS

JM – TEFC – Single-Phase	A-191
JP – TEFC – Single-Phase	A-192
JM – TEFC – Three-Phase	A-194
JP – TEFC – Three-Phase	A-198
JP – TEFC – Explosion Proof	A-201

CLOSE-COUPLED PUMP ODP MOTORS

JM – ODP – Single-Phase	A-202
JP – ODP – Single-Phase	A-202
JM – ODP – Three-Phase	A-203
JM – ODP – Three-Phase – Footless Vertical	A-206
JP – ODP – Three-Phase	A-207
JP – ODP – Three-Phase – Footless Vertical	A-210

CLOSE-COUPLED PUMP TEFC MOTORS - WITH INTERNAL AEGIS® SGR

JM – TEFC – Three-Phase	A-212
JP – TEFC – Three-Phase	A-213

CLOSE-COUPLED PUMP ODP MOTORS - WITH INTERNAL AEGIS® SGR

JM – ODP – Three-Phase	A-214
JP – ODP – Three-Phase	A-215

FIRE PUMP MOTORS

ODP – Three-Phase	A-217
ODP – Three-Phase – C-Face	A-219
ODP – Three-Phase – JM - Footless Vertical	A-220
ODP – Three-Phase – JP - Footless Vertical	A-221
TEFC (50Hz) – Three-Phase – IE2	A-223

P-BASE MOTORS

TEFC – Three-Phase – NEMA Premium®	A-225
------------------------------------	-------

IEC Motors - (A-228)

TRU-METRIC™

TEFC – Foot Mount	A-230
-------------------	-------

ATEX MOTORS

TEFC – Ex nA	A-234
TEFC – Ex d – IE2	A-239

Farm Duty Motors - (A-241)

TEFC – Single-Phase – General Purpose – Foot Mount	A-243
TEFC – Single-Phase – Auger Drive – Footless	A-244
TEAO – Single-Phase – Poultry Fan – Foot Mount	A-244
TEAO – Single-Phase – Poultry Fan – Resilient Base	A-244
TEAO – Three-Phase – Grain Dryer/Vane Axial Fan	A-245
TEAO – Single-Phase – Aeration Fan	A-245
TEAO – Three-Phase – Aeration Fan	A-245
TEFC – Single-Phase – C-Face - Foot Mount - Irrigation Duty	A-246
TEFC – Three-Phase – C-Face - Foot Mount - Irrigation Duty	A-246
Irrigation Drive Motors	A-247
Jet End Booster Pump Motors	A-247

Continued on next page

www.weg.net

Single-Phase General Purpose Motors
Three-Phase General Purpose Motors
Super Premium Efficiency Motors
Severe Duty - Three-Phase Motors
Explosion Proof Motors
Alternators
DC Motors and Gearmotors
Speed Reducers
Variable Frequency Drives and Enclosed Motor Controls
Parts & Modifications
Electrical Data
Mechanical Data
Catalog Index

Wash Down Duty
Fractional Motors
Air Handling Motors
Pump Motors
IEC Motors
Farm Duty Motors
Definite Purpose Motors
Medium Voltage Motors and Soft Starters

Definite Purpose Motors - (A-248)

SECTION A

VECTOR DUTY MOTORS

TENV – Three-Phase – Foot Mount – Double C-Face A-249

OIL WELL PUMPING – ODP & TEFC

TEFC – Three-Phase – NEMA Design ‘D’ A-252

ODP - Three-Phase - NEMA Design ‘D’ A-252

COMPRESSOR DUTY MOTORS

ODP – Single-Phase – Foot Mount A-254

ODP – Three-Phase – Foot Mount – NEMA Premium® A-255

HYDRAULIC PUMP MOTORS

TEFC – Three-Phase – SAE-A – High Efficiency A-256

BRAKE MOTORS

TEFC – Foot Mount A-258

TEFC – C-Face – Foot Mount A-259

SAW ARBOR MOTORS

TEFC – Three-Phase – Right-Hand Thread A-260

TEFC – Three-Phase – Left-Hand Thread A-260

SOOT BLOWER MOTORS

TEFC – C-Face – Footless A-261

Medium Voltage Motors and Soft Starters (A-262)

W22 Severe Duty Motors – TEFC

W22 Medium Voltage Motors – TEFC 2300 – 4160V A-264

W22 Medium Voltage Motors – TEFC Add-On Modifications A-265

W22 Medium Voltage 2300V - Electrical Data A-266

W22 Medium Voltage 4160V - Electrical Data A-268

Mechanical Data A-270

Medium Voltage Worksheet A-274

SSW7000C Medium Voltage Soft Starter A-275

Synchronous Alternators - (A-276)

G Plus Line A-277

AG10 Line A-278

Modifications A-279

DC Motors and Gearmotors - (A-280)

Permanent Magnet DC Motors

NEMA 56 PMDC Motors A-281

NEMA 145TC PMDC Motors A-281

M1600 Permanent Magnet Motor - 2.375" diameter A-282

M4000 Permanent Magnet Motor - 3.12" diameter A-282

Mechanical Data A-283

Parallel Shaft Gearmotors

GIL 100 Series Gearbox A-284

GIL 200 Series Gearbox A-285

Right Angle Gearmotors

G33 Series Single Worm Reduction A-286

Single-Phase
General Purpose
Motors

Three-Phase
General Purpose
Motors

Super Premium
Efficiency Motors

Severe Duty -
Three-Phase
Motors

Explosion Proof
Motors

Wash Down Duty

Alternators

Fractional
Motors

DC Motors and
Gearmotors

Air Handling
Motors

Speed Reducers

Pump Motors

Variable
Frequency
Drives and
Enclosed Motor
Controls

IEC
Motors

Parts &
Modifications

Farm Duty
Motors

Electrical Data

Definite Purpose
Motors

Mechanical Data

Medium Voltage
Motors and Soft
Starters

Catalog Index

SECTION A

Speed Reducers - (A-287)

How to Order Information	A-288
TG-90™ Right Angle Gearmotor	A-289
Mechanical Data	A-290

Variable Frequency Drives and Enclosed Motor Controls - (A-292)

(for complete line of products see WEG's Automation Catalogs)

CFW300 Variable Frequency Drive	A-295
CFW500 Variable Frequency Drive	A-300
CFW700 Variable Frequency Drive	A-307
CFW08 Wash - Washdown Duty VFD	A-317
EDP11 - Enclosed VFD Panel	A-323
EDP11 - Enclosed VFD Panel - Dimensions	A-331
GPH2 - Combination Soft Starter	A-335
GPH2 - Combination Soft Starter - Dimensions	A-339
ESW Non-Combination Across the Line Starters - Enclosure Type 1	A-345
ESWS Starters and Field Mod Kits	A-346
ESW Wiring Diagram and Dimensions	A-347
PESW Non-Combination Across the Line Starters - Enclosure Type 4X	A-348
PESW Wiring Diagram and Dimensions	A-350
ESWC Combination Type-C Across the Line Starter without CPT	A-353
ESWC Combination Type-C Across the Line Starter with CPT	A-354
ESWE Combination Type-E Across the Line Starter Enclosure Type 4X - without CPT	A-355
ESWE Combination Type-E Across the Line Starter Enclosure Type 4X - with CPT	A-355
ESWF Combination Type-F Across the Line Starter Enclosure Type 4/12 - without CPT	A-356
ESWF Combination Type-F Across the Line Starter Enclosure Type 4/12 - with CPT	A-357
Dimensional Data	A-358
ESWX-M16 Series Explosion Proof Manual Motor Starters	A-361
ESWX-M25 Series Explosion Proof Manual Motor Starters	A-362
ESWX-M65 Series Explosion Proof Manual Motor Starters	A-362
ESWX-M100 Series Explosion Proof Manual Motor Starters	A-362
Accessories	A-363
ESWX NEMA 7/9 Series Explosion Proof Manual Motor Starters	A-364
ESWX Dimensional Data	A-365
Custom Control Panels Data Worksheet and Request for Quote	A-368

Medium Voltage Starters

SSW7000 - 2300V and 4160V	A-371
SSW7000 Options	A-372
SSW7000 Dimensions	A-372
SSW7000 Technical Data	A-374

Add-On Modifications and Parts - (A-375)

In-House Modifications	A-376
Factory Built Modifications	A-380
Parts	A-384

Single-Phase General Purpose Motors
Three-Phase General Purpose Motors
Super Premium Efficiency Motors
Severe Duty - Three-Phase Motors
Explosion Proof Motors
Alternators
DC Motors and Gearmotors
Speed Reducers
Variable Frequency Drives and Enclosed Motor Controls
Parts & Modifications
Electrical Data
Mechanical Data
Catalog Index

Wash Down Duty
Fractional Motors
Air Handling Motors
Pump Motors
IEC Motors
Farm Duty Motors
Definite Purpose Motors
Medium Voltage Motors and Soft Starters

SECTION B

Electrical Data **B-1**

Mechanical Data..... **B-50**

Product Index **B-110**

**For complete line of Automation Products see WEG's
Automation Catalogs
Quick Links @ www.weg.net**



Single-Phase
General Purpose
Motors

Three-Phase
General Purpose
Motors

Super Premium
Efficiency Motors

Severe Duty -
Three-Phase
Motors

Explosion Proof
Motors

Alternators

DC Motors and
Gearmotors

Speed Reducers

Variable
Frequency
Drives and
Enclosed Motor
Controls

Parts &
Modifications

Electrical Data

Mechanical Data

Catalog Index

Wash Down Duty

Fractional
Motors

Air Handling
Motors

Pump Motors

IEC
Motors

Farm Duty
Motors

Definite Purpose
Motors

Medium Voltage
Motors and Soft
Starters

W22 Severe Duty Motors – TEFC

Components Design

Optimal Cooling System

Fan Cover

- Aerodynamic design
- Minimal noise levels
- Superb air flow distribution over frame
- Superior mechanical strength

Fan

- Reinforced fan hub structure
- Low noise design with exceptional air flow

Frame

- Terminal box position outlet on top 447T and larger
- Low temperature on windings and bearings
- Low noise design

Pad for vibration sensor

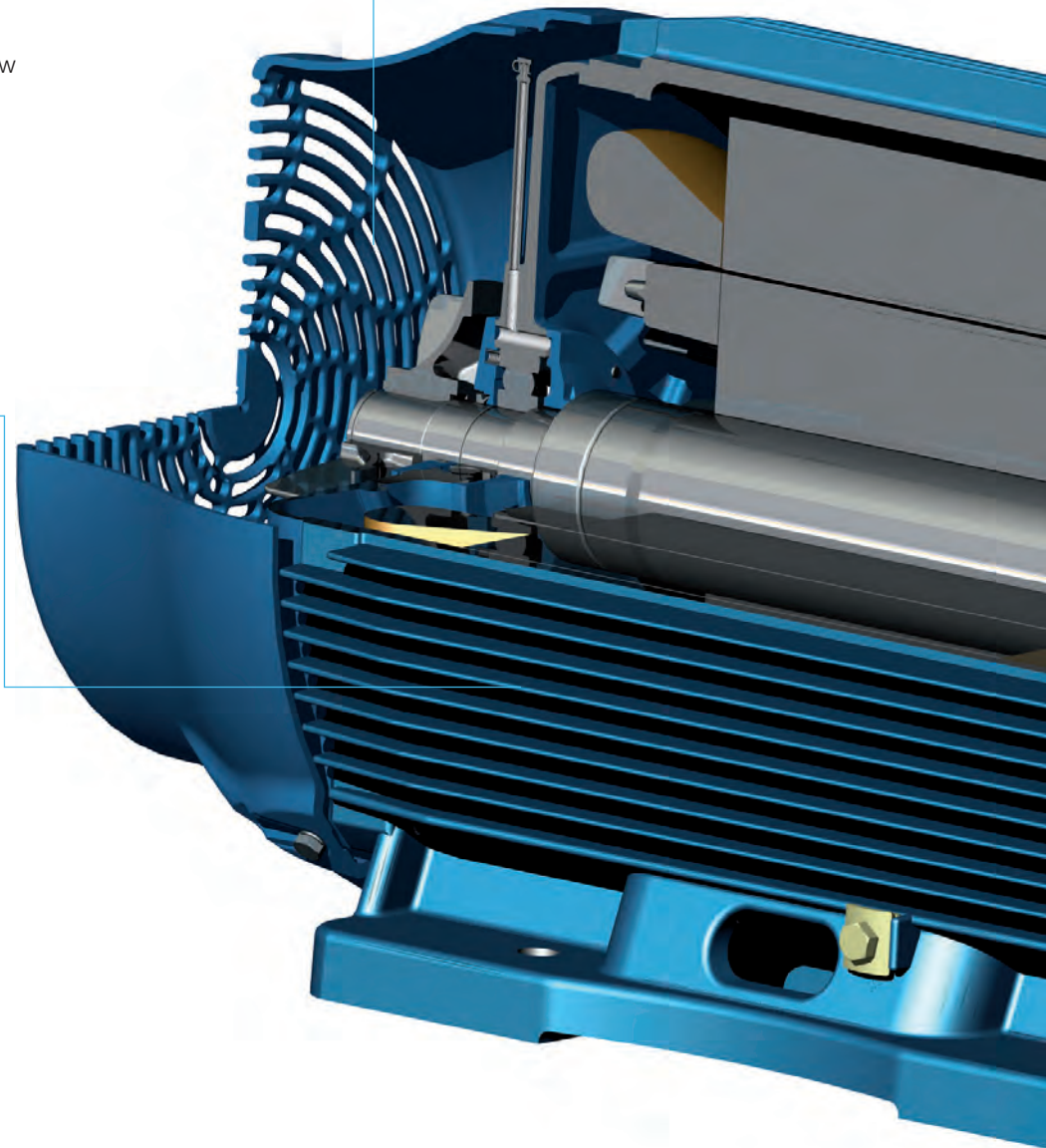
- Displaced 90° from each other

Enhanced Lifting Provisions

- Easy handling - horizontal & vertical
- Superior mechanical strength and handling safety

Solid feet

- Impact resistance
- Ideal for high vibration level applications



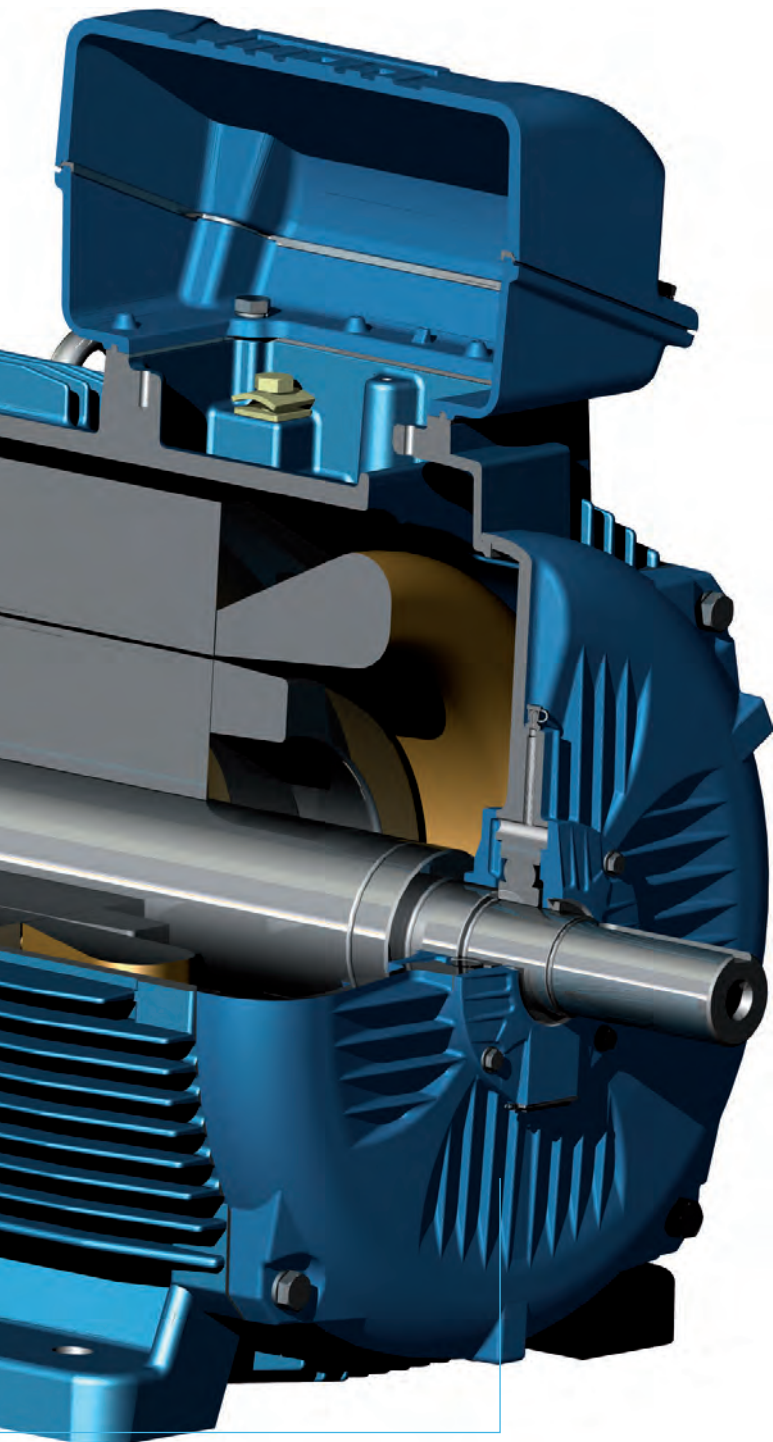
Endshields Subsystem

DE (Drive Endshield)

- Fin design increases air flow
- Bearing moved outwards for better load support
- Bearing heat dissipation for reduced bearing temperature
- Reinforced endshield structure

NDE (Non-Drive Endshield)

- Smooth exterior surface
- Optimal air flow
- Designed for low noise
- Structural rigidity for low vibration
- Insulated housing standard on L447/9T and above



Terminal Box

- Excellent connection quality
- Easy cable handling during installation
- Ample space available for accessory installation
- Easy to maintain
- Mounting F1/F2
- F3 Mounting optional on $\leq 445T$
- F3 Mounting field modifiable 447T and larger
- Rotation on 90° stages

Bearing Caps

External

- Finned surface for superb bearing heat dissipation

Internal

- Positive pressure lubrication system
- High quality bearing lubrication
- Reduced bearing temperature

Seal Subsystem

- Excellent dust and moisture protection
- Excellent protection to high-pressure cleaning

No-Fault Warranty (excludes Washdown motors)

Motors with frame sizes 215T and smaller are covered under a “No-Fault” warranty. This warranty claim is offered one time, per end-user, per application. If there is more than one failure, please contact the Service Department for review. The following must be sent to the WEG Service Department to process a “No-Fault” warranty claim.

- Original nameplate from the failed motor
- Copy of the original WEG invoice or invoice # for the failed motor
- Brief description of the failure for quality control purposes
- Please send request no later than 30 days after failure.

Warranty on Larger Motors

WEG Electric requires that motors larger than 215T frame be inspected by a WEG Authorized Service Center, or if none is available, an EASA-affiliated service shop. Depending on the inspection results, WEG will decide whether to cover the motor under warranty. Prior to a decision being made on a claim for warranty, the following are required from the service shop and customer.

- Completed EASA inspection report
- Repair Quote
- Copy of the original WEG Invoice or WEG Invoice Number
- For Frame 215T and above, photos of the failure in JPEG format suitable for e-mailing

The inclusion of photos allows WEG to properly evaluate the details of your claim, as well as to ensure that any data sent to our factory Quality Control engineers are fully understood. The warranty claim will be evaluated after receipt of the above items. Upon review of the claim, the WEG Service Department will make contact and advise how to proceed. The service shop should not remove the nameplate nor make repairs without being requested to do so by a WEG Service Department representative.

NOTE: For all Ingersoll-Rand motors, please contact the WEG Service Department prior to any inspection.

Warranty on Washdown Motors:

HydroDuty™, PickerPlus™, HydroWash™ and Shark™

The warranty coverage period on these models is 12/24: 12 months from date of first installation or 24 months from the date on motor nameplate, whichever occurs first.

Any warranty claim submitted to the WEG Service Department must include:

- Copy of the original WEG invoice or invoice number for the failed motor
- Brief description of the failure for quality control purposes accompanied by photographs of the motor wire connections and any other photograph supporting the claimed failure

WEG Service Department will analyze the claim, along with the supporting documents and determine if the warranty is applicable. When warranty is granted and credit or replacement is determined, it will be executed once the terminal box cover of the failed motor is submitted and received at the WEG Service Department.

Communication

Correspondence with the WEG Service Department may be via e-mail, fax or regular mail. Please keep a photocopy of all nameplates for your records.

Limited Warranty:

WEG Electric Corp. is proud of all of our product lines. WEG and its employees are committed to our customers and users to provide the best designed and manufactured motors, drives and controls. WEG provides a limited warranty on our products against defects in materials and workmanship for a specific period from the date of purchase. If a motor's date code is within its stated warranty period (18

month, 36 month, etc.), no proof of purchase is required. Otherwise, a copy of the invoice is necessary to show the date of purchase.

Warranty Period:

- The standard warranty for WEG products is 18 months from the invoice date.
- For General Purpose TEFC and ODP Premium Efficiency motors the warranty is 36 months from the invoice date.
- For IEEE 841 motors, the warranty is 60 months from the invoice date.

Authorized Service Centers:

WEG has service centers around the world to meet the needs of our customers. Information regarding the nearest service center can be found on our web site at www.weg.net or by calling 1-800-ASK-4WEG (1-800-275-4934). Any warranty repair by a service shop must be pre-approved by WEG.

Warranty Service:

If a WEG product requires warranty service due to defective materials or workmanship, WEG will, at its option, either repair or replace the defective product. By “replace”, WEG means the original purchaser's account will be credited for the cost on the WEG invoice (less freight). If warranty is granted, and replacement is specified, the motor's nameplate must be sent to the Service Dept. Warranty is applied to products that have been, at all times, properly maintained and operated or used under normal operating conditions for which the product was designed. WEG is not responsible for any expenses incurred in installation, removal from service, transportation (freight) or consequential expenses.

Limitation of Warranty:

THE FOREGOING WARRANTIES ARE EXCLUSIVE AND IN LIEU OF ALL OTHER WARRANTIES OF QUALITY AND PERFORMANCE, WRITTEN, ORAL OR IMPLIED, AND ALL OTHER WARRANTIES INCLUDING ANY IMPLIED WARRANTIES OF MERCHANTABILITY OR FITNESS FOR A PARTICULAR PURPOSE OR ARISING FROM COURSE OF DEALING OR USAGE OF TRADE ARE HEREBY DISCLAIMED BY WEG. THE FOREGOING OBLIGATION TO REPAIR OR REPLACE WEG PRODUCTS OR PARTS SHALL BE THE SOLE AND EXCLUSIVE REMEDY OF THE PURCHASER, ITS CUSTOMERS, OR USERS OF THE PRODUCTS OR PARTS.

Proper Storage of Motors:

When motors are not immediately installed, they should be stored in their normal upright position in a dry even temperature location, free of dust, gases and corrosive atmosphere. Inactive motors tend to expel grease from between the bearing surfaces, thereby removing the protective film that impedes metal-to-metal contact. At least once per month shafts should be rotated in accordance with WEG's installation and maintenance manual. Motors stored for a period exceeding one year should have the bearings re-lubricated in accordance with the WEG motor installation and maintenance manual.

Return Policy

WEG products that are purchased from our stocking warehouses must be returned within 90 days, freight to be paid by customer. Returned products must be unused, and in undamaged original packaging. If products are ordered incorrectly by the customer and need to be returned to stock, then a 20% re-stocking charge will be applied. If the returned products are deemed not to be in unused, undamaged condition, or in original packaging, then additional fees will be applied (up to and including full price of item). Returns on any modified products will not be allowed. Any products that are ordered as specials (with features that would not allow them to be stocked items) cannot be returned.

Contact WEG Service:

Toll -Free: 1-800-839-2529











E-Mail: warranty@weg.net

NEMA Market Certificates and Logos

Line	Certificate	Logo	File	Certificate	VFD use
W22	UL Listed Safe area		E104590	Vol. 5 - Sec.10	Yes
	CSA Safe Area		LR 38324	2194017	Yes
	CSA Div 2		LR 50962	2156668	Yes
ODP/W40 to L6809	UL Listed Safe area		E104590		Yes
	CSA Safe Area		LR 38324	2593532	Yes
HGF//W22MV/W50	UL Listed Safe area		E104590		
	CSA Div 2		LR 50962	1959652	Yes
W22 Fire Pump	UL Listed Safe area		EX5990	Vol. 1 - Sec.4	Yes
	CSA Safe Area		LR 38324	2194017	Yes

continued on next page

NEMA Market Certificates and Logos - *continued*

Line	Certificate	Logo	File	Certificate	VFD use
Rolled Steel W01	CSA Safe Area		LR 38324	70014056	Yes
	CSA Div 2		LR 50962	70088957	Yes
	UL Listed Safe area		E104590	Vol. 5 - Sec.1	Yes
	UL Listed Safe area, thermally protected		E104590	Vol.1 - Sec.22	No
	UL Listed Safe area, with thermal protection certified by UL 1004-3		E125311	Vol. 1 - Sec.25	No
W21X	UL Listed Hazardous area		E87848		No
	CSA Hazardous Area		050962_C	1629892	Yes
56XP	UL Listed Hazardous area		E87848		No
Bluffton	CSA Safe Area		241536		No
All WEG	CSA Energy Verified		078282_0		NA

Part Number Configuration

Ordering

WEG model numbers contain up to 20 characters, distributed as follows:

<u>XXX</u> (HP)	<u>XX</u> (rpm)	<u>XXX</u> (Model)	<u>X</u> (Volts)	<u>XXXXX</u> (Application + Frame)	<u>XXXX</u> When Applicable
--------------------	--------------------	-----------------------	---------------------	---------------------------------------	--------------------------------

HP¹ - .12 - .16 - .25 - .33 - .50 - .75 - 001 - 0015 - 002 - 003 - 004 - 0045 - 005 - 007 - 010 - 015 -
020 - 025 - 030 - 040 - 050 - 075 - 100 - 125 - 150 - 200 - 250 - 300 - 400 - 450 - 500 - 600 - 650 ...

RPM - **36:** 3600rpm **18:** 1800rpm **12:** 1200rpm **09:** 900rpm
30: 3000rpm **15:** 1500rpm **10:** 1000rpm **07:** 750rpm

Model - Three Characters:

<u>X</u> ENCLOSURE	<u>X</u> EFFICIENCY	<u>X</u> PHASE
E - Totally Enclosed	S - Standard Efficiency	1 - 1 Phase
S - Severe Duty IEEE 841	P - High Efficiency	3 - 3 Phase
O - Open drip proof	T - NEMA Premium®	
X - eXplosion proof	G - Super Premium	
A - Totally Enclosed Air Over		
N - Totally Enclosed Non Ventilated		

Voltage	
B - 115 / 208 - 230V	M - 220 / 380 - 415V
C - 208 - 230V	N - 220 / 380V
D - 230V	O - 380 - 415V
E - 230 / 460V* # useable at 208V	P - 200V
F - 230 / 460V	Q - 460V
G - 460V PWS	R - 115 / 230V
H - 575V	V - 200 / 400V
I - 220V	W - 460 // 220 - 240 / 380 - 415V
J - 380V	X - Other Voltage
K - 190 / 380V	Y - 460 // 380 - 415 / 660 - 690V

* Suitable for PWS on 254T and larger on low voltage connection.

For Rolled Steel Motors: 190-220/380-415V at 50Hz (derate may apply).

- ¹ • For IEC Metric motors, the output will be given in kW:
.12 - .18 - .25 - .37 - .55 - .75 - 001 - 0015 - 002 - 003 - 004 - 0045 - 005 -
007 - 009 - 011 - 015 - 018 - 022 - 030 - 037 - 045 - 055 - 075 - 090 - 110 -
130 - 150 - 185 - 200 - 220 - 250 - 300 - 315 ...
- 0015 (1.5HP) is the rating that will have four digits for output identification and only one for RPM.
- 0045 (4.5kW) is the rating that will have four digits for output identification and only one for RPM.

Frame

The frame number must be included as long as the number of remaining characters allows.

Example: 143T, 143TC, 405T, 405TS, 184JP.

XXXX Suffix

- W22, -W2, -W or W = W22 platform
- W22S, -W2S or -WS = Single punched feet
- W22G, -W2G or -WG = AEGIS® Ring Inside
- S = Rolled Steel platform
- SG = Rolled Steel/AEGIS® Ring inside
- SRT = Rolled Steel/short frame
- W40 or W4 = W40 platform
- SRG = Rolled Steel/short frame/AEGIS® Ring inside

Application / Feature

For Definite Purpose lines, two pre-selected letters must be used after voltage code:

- Auger Drive**
- ALuminum Frame**
- ATEX Motor**
- Brake Motor**
- Compressor Duty**
- Cooling Tower**
- Evaporative Cooler**
- Farm Duty**
- Footless for Fractionals (after frame)**
- Fire Pump**
- Hydraulic Pump**
- Irrigation Duty**
- IEEE 841 (Severe Duty IEEE 841)**
- Jet Pump**
- Crusher-Duty**
- Manual OverLoad Protection**
- Oil Well Pumping**
- Poultry Fan**
- Pad Mount**
- (Before the frame size): Round Body**
- Roller Bearings (Integrals)²**
- Resilient Base (Fractionals)**
- Rolled Steel Frame**
- Saw Arbor**
- Split Phase**
- Stainless Steel**
- Vector Duty (TEBC or TENV)**

² Roller bearings are recommended for all belt driven applications 100HP and above.

- **Models in blue text are NEMA Premium® Efficiency**
- **Models in green text are NEMA Super Premium Efficiency**

WEG MOTORS FOR VFD APPLICATIONS - CRITERIA

(Not applicable to motors rated for use in Division 1 hazardous areas. In such cases please contact WEG)
Valid for TEFC NEMA Premium® & IEC Tru-Metric - W22 Platforms and ODP

INSULATION SYSTEM AND BEARING CRITERIA

(If any of the conditions below are not met, VFD line filters must be used)

INSULATION SYSTEMS (for all NEMA frame sizes - from 143 to 589 and IEC frame sizes - from 90 to 355) - up to 690 V

Rated Voltage	Feature	Voltage Spikes motor terminals (maximum)	dV/dt inverter terminals (maximum)	Rise Time inverter terminals (minimum)	MTBP Minimum Time Between Pulse
$V_{rated} \leq 460 V$	Standard Insulation	$\leq 2000 V$	$\leq 5200 V/\mu s$	$\geq 0,1 \mu s$	$\geq 6 \mu s$
$460 V < V_{rated} \leq 575 V$	Reinforced Insulation	$\leq 2000 V$	$\leq 6500 V/\mu s$		

BEARING PROTECTION (for all rated voltage ranges)

NEMA Frame Size	Feature
Frame ≤ 449	· Optional: Insulated NDE endbell / insulated bearing
L449T – 589	Insulated NDE endbell standard L449 and above. Optional: insulated bearing (*) Shaft grounding recommended where insulated bearings are applied
IEC Frame Size	Feature
Frame ≤ 315	· Optional: Insulated NDE endbell / insulated bearing
315L – 355	Insulated NDE endbell standard 315L and above. Optional: insulated bearing (*) Shaft grounding recommended where insulated bearings are applied

(*) For insulated bearing, please contact WEG

TORQUE CRITERIA - Valid for 2, 4, 6 and 8 pole motors NEMA PREMIUM® EFFICIENCY / IEC MOTORS - TEFC MOTORS

Frame Size	Constant Torque	Variable Torque
143 – 586/7 / 90 – 355 ⁽¹⁾	20:1 / 12:1	1000:1
586/7 / 355 ⁽²⁾	6:1 / 2:1	1000:1 / 10:1

Satisfactory motor performance depends on proper drive setup - please contact WEG.

⁽¹⁾ For 250 HP / 185 kW or lower power motors. Also valid for 449 / 315 frames.

⁽²⁾ For motors higher than 250 HP / 185 kW.

HIGH EFFICIENCY AND NEMA PREMIUM® EFFICIENCY - ODP MOTORS

Frame Size	Constant Torque	Variable Torque
182T – 364/5T	4:1	1000:1
404/5T – 5010T	2:1	1000:1

NOTES:

- . Maximum recommended Inverter switching frequency of 5 kHz (minimum of 2.5 kHz)
 - . The speed ranges stated above are related to the motor thermal capacity only to 60HZ operated motors
 - . NEMA Premium® Efficiency WEG motors of all frame sizes can also be blower cooled under request. In such case, the motor will be suitable for variable and constant torque applications rated up to 1000:1
 - . NEMA Premium® Efficiency WEG motors comply with those maximum safe operating speeds established in NEMA MG1-2016, part 30 (consult table 30-1)
 - . Per IEC standard 60034-18-41:
 - Exceed severe IVIC (**) level phase to ground - > 2392
 - Exceed moderate IVIC (**) level phase to phase - > 2563
- (**) Impulse Voltage Insulation Class

Single-Phase General Purpose Motors - (A-17)

TEFC – Foot Mount	A-19
TEFC – C-Face – Foot Mount	A-21
TEFC – C-Face – Footless	A-22
TEFC – Foot Mount – Thermally Protected.	A-22
ODP – Foot Mount.	A-23
ODP – Resilient Base	A-24
ODP – C-Face – Foot Mount	A-25
ODP – C-Face – Footless	A-26
ODP – Foot Mount – Thermally protected	A-26

Please refer to back cover for description of "NOTES"

For detailed specifications, data sheets, drawings and performance curves visit <http://www.weg.net>

Data subject to change without notice.

Can't find what you are looking for? Call 1-800-ASK-4WEG (275-4934)



TEFC Rolled Steel



ODP Rolled Steel



TEFC Cast Iron



Resilient Base

TEFC & ODP

High Starting Torque makes these motors ideal for a wide range of applications.

Standard Features:

- Ball bearings
- Class F insulation
- F1 Mounted
- V-ring Seals

Features that make a difference:

- High Starting Torque
- 182T frames and up are cast iron for severe duty
- NPT Threaded Holes in Terminal Box

ADDITIONAL TECHNICAL DATA

ELECTRICAL DATA: TEFC - Cast Iron - B-5
 TEFC - RS - Standard Eff. - B-6
 ODP - RS - Standard Eff. - B-9
 ODP - RS - Premium Eff. - B-11

MECHANICAL DATA: TEFC - Cast Iron - B-52
 TEFC - RS - Standard Eff. - B-56
 ODP - RS - Standard Eff. - B-60
 ODP - RS - Premium Eff. - B-64



Please refer to back cover for description of "NOTES"

For detailed specifications, data sheets, drawings and performance curves visit <http://www.weg.net>

Data subject to change without notice.



Single-Phase General Purpose Motors

Single-Phase
General Purpose
Motors

TEFC - Foot Mount

HP	kW	RPM	Frame	Catalog Number	List Price	Mult. Symbol	Approx. Shipping Weight (lbs)	Service Factor	FL Amps @ High	FL. Eff (%)	"C" Dimension (in)	Voltage (V)	Notes
0.25	0.18	3600	W56	.2536ES1BW56-S	\$257	F1	20	1.15	2.10	50.0	10.713	115/208-230	9
		1800	W56	.2518ES1BW56-S	\$267	F1	20	1.15	2.30	57.0	11.106	115/208-230	9
0.33	0.25	3600	W56	.3336ES1BW56-S	\$267	F1	23	1.15	2.60	54.0	11.106	115/208-230	9
		1800	W56	.3318ES1BW56-S	\$283	F1	22	1.15	3.00	61.0	11.500	115/208-230	9
		1800	W56	.3318ES1RFDW56-S	\$284	R1	22	1.15	3.00	61.0	11.500	115/230	4;9
0.50	0.37	3600	W56	.5036ES1BW56-S	\$284	F1	24	1.15	3.50	60.0	11.500	115/208-230	9
		3600	W56	.5036ES1B0LW56-S	\$316	F1	24	1.15	3.50	60.0	11.500	115/208-230	4;9
		1800	W56	.5018ES1RFDW56-S	\$308	R1	25	1.15	4.00	64.0	11.894	115/230	4;9
		1800	W56	.5018ES1BW56-S	\$312	F1	24	1.15	4.00	64.0	11.894	115/208-230	9
		1200	W56	.5012ES1B56-S	\$512	F1	38	1.15	3.20	71.0	13.508	115/208-230	9
0.75	0.55	3600	56	.7536ES1B0L56-S	\$329	F1	31	1.15	4.00	66.0	12.721	115/208-230	4;9
		3600	56	.7536ES1B56-S	\$297	F1	31	1.15	4.00	66.0	12.721	115/208-230	9
		1800	56	.7518ES1RFD56-S	\$357	R1	34	1.15	5.30	68.5	13.114	115/230	4;9
		1800	56	.7518ES1B56-S	\$348	F1	33	1.15	5.30	68.5	13.114	115/208-230	9
		1200	56H	.7512ES1B56-S	\$648	F1	44	1.15	4.70	70.0	14.295	115/208-230	9
1	0.75	3600	56	00136ES1B0L56-S	\$408	F1	35	1.15	5.10	70.0	13.114	115/208-230	4;9
		3600	56	00136ES1B56-S	\$376	F1	34	1.15	5.10	70.0	13.114	115/208-230	9
		3600	143/5T	00136ES1B143T-S	\$553	RS	35	1.15	5.10	70.0	13.212	115/208-230	9
		1800	56	00118ES1RFD56-S	\$394	R1	40	1.15	6.80	71.0	13.901	115/230	4;9
		1800	56	00118ES1B56-S	\$401	F1	39	1.15	6.80	71.9	13.902	115/208-230	9
		1800	143/5T	00118ES1RFD143T-S	\$400	R1	40	1.15	6.80	71.0	13.901	115/230	4;9
		1800	143/5T	00118ES1E143T-S	\$531	RS	42	1.15	3.40	71.0	13.970	208-230/460	9
1.5	1.1	3600	56	00156ES1B56-S	\$432	F1	39	1.15	6.60	75.0	13.902	115/208-230	9
		3600	56	00156ES1B0L56-S	\$463	F1	39	1.15	6.60	75.0	13.902	115/208-230	4;9
		3600	143/5T	00156ES1B143T-S	\$602	RS	40	1.15	6.60	75.0	13.970	115/208-230	9
		1800	56H	00158ES1RFD56H-S	\$502	R1	51	1.15	7.50	77.0	15.083	115/230	4;9
		1800	56H	00158ES1B56-S	\$456	F1	40	1.15	7.50	77.0	15.083	115/208-230	9
		1800	143/5T	00158ES1RFD145T-S	\$504	R1	50	1.15	7.48	77.0	15.083	115/230	4;9
		1800	143/5T	00158ES1B145T-S	\$612	RS	48	1.15	7.50	77.0	15.152	115/208-230	9
		1800	143/5T	00158ES1E145T-S	\$611	RS	48	1.15	3.70	77.0	15.152	208-230/460	9
		1200	182T	00152ES1E182T	\$1,100	W1	97	1.15	4.90	75.0	16.050	208-230/460	39

continued on next page

Please refer to back cover for description of "NOTES"

For detailed specifications, data sheets, drawings and performance curves visit <http://www.weg.net>

Data subject to change without notice.

Can't find what you are looking for? Call 1-800-ASK-4WEG (275-4934)

Single-Phase General Purpose Motors



Single-Phase
General Purpose
Motors

TEFC - Foot Mount - *continued*

HP	kW	RPM	Frame	Catalog Number	List Price	Mult. Symbol	Approx. Shipping Weight (lbs)	Service Factor	FL Amps @ High	FL Eff (%)	"C" Dimension (in)	Voltage (V)	Notes
2	1.5	3600	56H	00236ES1B0L56-S	\$592	F1	44	1.15	8.70	77.0	14.295	115/208-230	4,9
		3600	56H	00236ES1B56-S	\$561	F1	44	1.15	8.70	77.0	14.295	115/208-230	9
		3600	143/5T	00236ES1E145T-S	\$640	RS	43	1.15	4.40	77.0	14.365	208-230/460	9
		3600	143/5T	00236ES1B145T-S	\$641	RS	43	1.15	8.70	77.0	14.365	115/208-230	9
		1800	56H	00218ES1RFD56H-S	\$529	R1	56	1.15	10.0	78.5	15.870	115/230	4,9
		1800	143/5T	00218ES1RFD145T-S	\$578	R1	57	1.15	10.0	78.5	15.870	115/230	4,9
		1800	143/5T	00218ES1E145T-S	\$615	RS	56	1.15	5.00	78.5	15.938	208-230/460	9
		1800	143/5T	00218ES1B145T-S	\$615	RS	56	1.15	10.0	78.5	15.938	115/208-230	9
		1800	W182/4T	00218ES1RFD182T	\$790	R1	89	1.15	10.0	81.0	17.244	115/230	4,39
		1200	W213/5T	00212ES1E213T	\$1,209	W1	125	1.15	5.30	78.0	20.984	208-230/460	39
3	2.2	3600	143/5T	00336ES1E145T-S	\$829	RS	53	1.15	6.40	80.0	15.545	208-230/460	9
		3600	143/5T	00336ES1B145T-S	\$830	RS	53	1.15	12.7	80.0	15.545	115/208-230	9
		3600	W182T	00336ES1B182T	\$882	W1	92	1.15	13.6	80.0	17.240	115/208-230	39
		3600	182T	00336ES1E182T	\$879	W1	96	1.15	6.80	80.0	16.050	208-230/460	39
		1800	184T	00318ES1E184T	\$874	W1	99	1.15	6.80	77.0	17.050	208-230/460	39
		1800	184T	00318ES1C184T	\$875	W1	99	1.15	13.6	77.0	17.050	208-230	39
		1800	W182/4T	00318ES1DFD184T	\$915	R1	93	1.15	14.5	81.0	17.244	230	4,39
		1200	215T	00312ES1E215T	\$1,327	W1	170	1.15	6.70	80.0	20.984	208-230/460	39
5	3.7	3600	184T	00536ES1E184T	\$1,038	W1	110	1.15	10.5	83.0	17.050	208-230/460	39
		3600	184T	00536ES1B184T	\$1,040	W1	110	1.15	21.0	83.0	17.050	115/208-230	39
		1800	184T	00518ES1E184T	\$1,064	W1	118	1.15	10.7	79.0	17.050	208-230/460	39
		1800	184T	00518ES1C184T	\$1,066	W1	118	1.15	21.4	79.0	17.050	208-230	39
		1800	184T	00518ES1DFD184T	\$1,074	R1	119	1.15	21.4	79.0	17.050	230	4,39
		1800	W213/5TZ	00518ES1DFD215Z	\$1,205	R1	136	1.15	21.4	79.0	20.984	230	4,39
		1800	W213/5T	00518ES1DFD215T	\$1,205	R1	136	1.15	21.4	79.0	20.984	230	4,39
		1200	215T	00512ES1E215T	\$1,588	W1	172	1.15	11.0	80.0	19.567	208-230/460	39
7.5	5.5	3600	213T	00736ES1E213T	\$1,548	W1	147	1.15	14.9	86.0	18.021	208-230/460	39
		3600	213T	00736ES1B213T	\$1,552	W1	147	1.15	29.8	86.0	18.021	115/208-230	39
		1800	215T	00718ES1E215T	\$1,359	W1	164	1.15	17.0	83.0	19.567	208-230/460	39
		1800	215T	00718ES1DFD215T	\$1,463	R1	168	1.15	33.0	83.0	19.567	230	4,39
		1800	215TZ	00718ES1DFD215Z	\$1,463	R1	168	1.15	33.0	83.0	19.567	230	4,39
10	7.5	3600	215T	01036ES1E215T	\$1,916	W1	162	1.15	19.4	86.0	19.567	208-230/460	39
		1800	215T	01018ES1E215T	\$1,579	W1	188	1.15	19.5	84.0	19.567	208-230/460	39
		1800	215T	01018ES1DFD215T	\$1,692	R1	193	1.15	40.0	83.0	19.567	230	4,39
12.5	9.2	3600	215T	01236ES1C215T	\$2,015	W1	182	1.15	53.6	88.5	19.567	208-230	39
		1800	215T	01218ES1E215T	\$1,776	W1	201	1.15	24.0	84.0	19.567	208-230/460	39

Please refer to back cover for description of "NOTES"

For detailed specifications, data sheets, drawings and performance curves visit <http://www.weg.net>

Data subject to change without notice.



Single-Phase General Purpose Motors

Single-Phase
General Purpose
Motors

TEFC - C-Face - Foot Mount

HP	kW	RPM	Frame	Catalog Number	List Price	Mult. Symbol	Approx. Shipping Weight (lbs)	Service Factor	FL Amps @ High	FL. Eff (%)	"C" Dimension (in)	Voltage (V)	Notes
0.25	0.18	3600	W56C	.2536ES1BW56C-S	\$280	F1	20	1.15	2.10	50.0	10.713	115/208-230	9
		1800	W56C	.2518ES1BW56C-S	\$288	F1	20	1.15	2.30	57.0	11.106	115/208-230	9
0.33	0.25	3600	W56C	.3336ES1BW56C-S	\$288	F1	22	1.15	2.60	54.0	11.106	115/208-230	9
		1800	W56C	.3318ES1BW56C-S	\$304	F1	22	1.15	3.00	61.0	11.500	115/208-230	9
0.50	0.37	3600	W56C	.5036ES1BW56C-S	\$313	F1	24	1.15	3.50	60.0	11.500	115/208-230	9
		1800	W56C	.5018ES1BW56C-S	\$333	F1	26	1.15	4.00	64.0	11.894	115/208-230	9
		1800	W56C	.5018ES1BOW56C-S	\$348	F1	24	1.15	4.00	64.0	11.894	115/208-230	3,9
		1200	W56C	.5012ES1B56C-S	\$535	F1	39	1.15	3.20	67.0	13.508	115/208-230	9
0.75	0.55	3600	56C	.7536ES1B56C-S	\$353	F1	32	1.15	4.00	66.0	12.721	115/208-230	9
		1800	56C	.7518ES1B56C-S	\$370	F1	34	1.15	5.30	68.5	13.114	115/208-230	9
		1200	56HC	.7512ES1B56C-S	\$669	F1	45	1.15	4.70	70.0	14.295	115/208-230	9
1	0.75	3600	56C	00136ES1B56C-S	\$378	F1	35	1.15	5.10	70.0	13.114	115/208-230	9
		1800	56C	00118ES1B56C-S	\$424	F1	40	1.15	6.80	71.0	13.902	115/208-230	9
		1800	56C	00118ES1B056C-S	\$439	F1	40	1.15	6.80	71.0	13.902	115/208-230	3,9
1.5	1.1	3600	56C	00156ES1B56C-S	\$454	F1	40	1.15	6.60	75.0	13.902	115/208-230	9
		1800	56HC	00158ES1B056C-S	\$493	F1	41	1.15	7.50	77.0	15.083	115/208-230	3,9
		1800	56HC	00158ES1B56C-S	\$478	F1	41	1.15	7.50	77.0	15.083	115/208-230	9
2	1.5	3600	56HC	00236ES1B56C-S	\$589	F1	44	1.15	8.70	77.0	14.295	115/208-230	9
		1800	143/5TC	00218ES1B145TC-S	\$643	RS	52	1.15	10.0	78.5	15.938	115/208-230	9
3	2.2	3600	143/5TC	00336ES1E145TC-S	\$858	RS	56	1.15	6.40	80.0	15.545	208-230/460	9
		1800	184TC	00318ES1E184TC	\$913	W1	99	1.15	6.80	77.0	17.050	208-230/460	39
		1800	184TC	00318ES1B184TC	\$913	W1	99	1.15	13.6	77.0	17.050	115/208-230	39
		1800	184TC	00318ES1C184TC	\$913	W1	99	1.15	13.6	77.0	17.050	208-230	39
5	3.7	3600	184TC	00536ES1E184TC	\$1,077	W1	109	1.15	10.5	83.0	17.050	208-230/460	39
		1800	184TC	00518ES1E184TC	\$1,103	W1	118	1.15	10.7	79.0	17.050	208-230/460	39
		1800	184TC	00518ES1C184TC	\$1,103	W1	118	1.15	21.4	79.0	17.050	208-230	39
7.5	5.5	3600	213TC	00736ES1E213TC	\$1,598	W1	147	1.15	14.9	86.0	18.021	208-230/460	39
		1800	215TC	00718ES1E215TC	\$1,410	W1	166	1.15	17.0	83.0	19.567	208-230/460	39
10	7.5	3600	215TC	01036ES1E215TC	\$1,970	W1	164	1.15	19.4	86.0	19.567	208-230/460	39
		1800	215TC	01018ES1E215TC	\$1,633	W1	190	1.15	19.5	84.0	19.567	208-230/460	39
12.5	9.2	1800	215TC	01218ES1E215TC	\$1,827	W1	202	1.15	24.0	84.0	19.567	208-230/460	39

Please refer to back cover for description of "NOTES"

For detailed specifications, data sheets, drawings and performance curves visit <http://www.weg.net>

Data subject to change without notice.

Can't find what you are looking for? Call 1-800-ASK-4WEG (275-4934)

Single-Phase General Purpose Motors



Single-Phase
General Purpose
Motors

TEFC - C-Face - Footless

HP	kW	RPM	Frame	Catalog Number	List Price	Mult. Symbol	Approx. Shipping Weight (lbs)	Service Factor	FL Amps @ High	FL Eff (%)	"C" Dimension (in)	Voltage (V)	Notes
0.33	0.25	3600	W56C	.3336ES1BW56CFL-S	\$288	F1	21	1.15	2.60	53.0	11.106	115/208-230	9;20
		1800	W56C	.3318ES1BW56CFL-S	\$304	F1	22	1.15	3.00	61.0	11.500	115/208-230	9;20
0.50	0.37	3600	W56C	.5036ES1BW56CFL-S	\$313	F1	24	1.15	3.50	60.0	11.500	115/208-230	9;20
		1800	W56C	.5018ES1BW56CFL-S	\$333	F1	24	1.15	4.00	64.0	11.894	115/208-230	9;20
		1200	56C	.5012ES1B56CFL-S	\$535	F1	38	1.15	3.20	71.0	13.508	115/208-230	9;20
0.75	0.55	3600	56C	.7536ES1B56CFL-S	\$353	F1	31	1.15	4.00	66.0	12.721	115/208-230	9;20
		1800	56C	.7518ES1B56CFL-S	\$370	F1	34	1.15	5.30	68.5	13.114	115/208-230	9;20
		1200	56C	.7512ES1B56CFL-S	\$669	F1	44	1.15	4.70	70.0	14.295	115/208-230	9;20
1	0.75	3600	56C	00136ES1B56CFL-S	\$378	F1	35	1.15	5.10	70.0	13.114	115/208-230	9;20
		1800	56C	00118ES1B56CFL-S	\$424	F1	39	1.15	6.80	71.0	13.902	115/208-230	9;20
		1800	143/5TC	00118ES1ER143TC-S	\$559	RS	43	1.15	3.40	71.0	13.970	208-230/460	9;15
1.5	1.1	3600	56C	00156ES1B56CFL-S	\$454	F1	39	1.15	6.60	75.0	13.902	115/208-230	9;20
		1800	56C	00158ES1B56CFL-S	\$478	F1	40	1.15	7.50	77.0	15.083	115/208-230	9;20
2	1.5	3600	56C	00236ES1B56CFL-S	\$589	F1	43	1.15	8.70	77.0	14.295	115/208-230	9;20
3	2.2	1800	184TC	00318ES1ER184TC	\$912	W1	98	1.15	6.80	77.0	17.050	208-230/460	15,39



TEFC - Foot Mount - Thermally Protected

HP	kW	RPM	Frame	Catalog Number	List Price	Mult. Symbol	Approx. Shipping Weight (lbs)	Service Factor	FL Amps @ High	FL Eff (%)	"C" Dimension (in)	Voltage (V)	Notes
0.33	0.25	1800	W56	.3318ES1RFDW56-S	\$284	R1	22	1.15	3.00	61.0	11.500	115/230	4;9
0.50	0.37	3600	W56	.5036ES1BOLW56-S	\$316	F1	24	1.15	3.50	60.0	11.500	115/208-230	4;9
		1800	W56	.5018ES1RFDW56-S	\$308	R1	25	1.15	4.00	64.0	11.894	115/230	4;9
0.75	0.55	3600	56	.7536ES1BOL56-S	\$329	F1	31	1.15	4.00	66.0	12.721	115/208-230	4;9
		1800	56	.7518ES1RFD56-S	\$357	R1	34	1.15	5.30	68.5	13.114	115/230	4;9
1	0.75	3600	56	00136ES1BOL56-S	\$408	F1	35	1.15	5.10	70.0	13.114	115/208-230	4;9
		1800	56	00118ES1RFD56-S	\$394	R1	40	1.15	6.80	71.0	13.901	115/230	4;9
		1800	143/5T	00118ES1RFD143T-S	\$400	R1	40	1.15	6.80	71.0	13.901	115/230	4;9
1.5	1.1	3600	56	00156ES1BOL56-S	\$463	F1	39	1.15	6.60	75.0	13.902	115/208-230	4;9
		1800	56H	00158ES1RFD56H-S	\$502	R1	51	1.15	7.50	77.0	15.083	115/230	4;9
		1800	143/5T	00158ES1RFD145T-S	\$504	R1	50	1.15	7.48	77.0	15.083	115/230	4;9
2	1.5	3600	56H	00236ES1BOL56-S	\$592	F1	44	1.15	8.70	77.0	14.295	115/208-230	4;9
		1800	56H	00218ES1RFD56H-S	\$529	R1	56	1.15	10.0	78.5	15.870	115/230	4;9
		1800	143/5T	00218ES1RFD145T-S	\$578	R1	57	1.15	10.0	78.5	15.870	115/230	4;9
		1800	W182/4T	00218ES1RFD182T	\$790	R1	89	1.15	10.0	81.0	17.244	115/230	4,39
3	2.2	1800	W182/4T	00318ES1DFD184T	\$915	R1	93	1.15	14.5	81.0	17.244	230	4,39
5	3.7	1800	184T	00518ES1DFD184T	\$1,074	R1	119	1.15	21.4	79.0	17.050	230	4,39
		1800	W213/5T	00518ES1DFD215T	\$1,205	R1	136	1.15	21.4	79.0	20.984	230	4,39
		1800	W213/5TZ	00518ES1DFD215Z	\$1,205	R1	136	1.15	21.4	79.0	20.984	230	4,39
7.5	5.5	1800	215T	00718ES1DFD215T	\$1,463	R1	168	1.15	33.0	83.0	19.567	230	4,39
		1800	215TZ	00718ES1DFD215Z	\$1,463	R1	168	1.15	33.0	83.0	19.567	230	4,39
10	7.5	1800	215T	01018ES1DFD215T	\$1,692	R1	193	1.15	40.0	83.0	19.567	230	4,39

Please refer to back cover for description of "NOTES"

For detailed specifications, data sheets, drawings and performance curves visit <http://www.weg.net>



ODP - Foot Mount

HP	kW	RPM	Frame	Catalog Number	List Price	Mult. Symbol	Approx. Shipping Weight (lbs)	Service Factor	FL Amps @ High	FL Eff (%)	"C" Dimension (in)	Voltage (V)	Notes
0.12	0.09	1800	48	.12180S1B48-S	\$201	F1B	18	1.40	1.40	50.0	9.098	115/208-230	9
0.16	0.12	3600	48	.16360S1B48-S	\$216	F1B	21	1.35	1.40	53.0	9.098	115/208-230	9
		1800	48	.16180S1B48-S	\$208	F1B	22	1.35	1.70	53.0	9.098	115/208-230	9
0.25	0.18	3600	48	.25360T1B48-S	\$253	F2B	19	1.35	1.30	66.6	9.492	115/208-230	9
		3600	W56	.25360T1BW56-S	\$253	F2B	19	1.35	1.30	66.6	9.866	115/208-230	9
		1800	48	.25180T1B48-S	\$241	F2B	18	1.35	1.60	68.5	9.492	115/208-230	9
		1800	W56	.25180T1BW56-S	\$241	F2B	19	1.35	1.60	68.5	9.866	115/208-230	9
0.33	0.25	3600	48	.33360T1B48-S	\$256	F2B	23	1.35	1.60	70.5	9.886	115/208-230	9
		1800	48	.33180T1B48-S	\$275	F2B	20	1.35	2.10	72.4	9.886	115/208-230	9
		1800	W56	.33180T1BW56-S	\$275	F2B	21	1.35	2.10	72.4	10.260	115/208-230	9
0.50	0.37	3600	48	.50360T1B48-S	\$276	F2B	23	1.25	2.40	72.4	9.886	115/208-230	9
		3600	W56	.50360S1BCDW56-S	\$224	C1S	28	1.00	3.10	63.0	9.866	115/208-230	1;4;6;9
		3600	W56	.50360T1BW56-S	\$282	F2B	24	1.25	2.40	72.4	10.260	115/208-230	9
		1800	48	.50180T1B48-S	\$318	F2B	23	1.25	2.80	76.2	10.280	115/208-230	9
		1800	W56	.50180T1BW56-S	\$307	F2B	23	1.25	2.80	76.2	10.654	115/208-230	9
0.75	0.55	3600	W56	.75360S1BCDW56-S	\$237	C1S	22	1.00	4.30	68.5	10.260	115/208-230	1;4;6;9
		3600	56	.75360T1B56-S	\$320	F2B	30	1.25	3.40	76.2	11.890	115/208-230	9
		1800	56	.75180T1B56-S	\$387	F2B	38	1.25	3.40	81.8	11.890	115/208-230	9
1	0.75	3600	56	001360S1BCD56-S	\$278	C1S	36	1.00	6.60	67.0	11.102	115/208-230	1;4;6;9
		3600	56	001360T1B56-S	\$347	F2B	35	1.25	4.30	80.4	11.890	115/208-230	9
		1800	56	001180T1B56-S	\$421	F2B	41	1.15	4.50	82.6	12.677	115/208-230	9
		1800	56	001180T1B056-S	\$438	F2B	41	1.15	4.50	82.6	12.677	115/208-230	3;9
1.5	1.1	3600	56	001560S1BCD56-S	\$311	C1S	40	1.00	8.70	68.0	11.496	115/208-230	1;4;6;9
		3600	56	001560T1B56-S	\$393	F2B	38	1.15	6.20	81.5	12.284	115/208-230	9
		1800	56H	001580T1B56-S	\$523	F2B	49	1.15	6.80	83.8	13.071	115/208-230	9
		1800	56H	001580T1B056-S	\$541	F2B	50	1.15	6.80	83.8	13.465	115/208-230	3;9
2	1.5	3600	56H	002360S1BCD56-S	\$372	C1S	34	1.00	8.90	70.0	11.890	115/208-230	1;4;6;9
		3600	56H	002360T1B56-S	\$485	F2B	43	1.15	8.40	82.9	12.677	115/208-230	9
		1800	56H	002180T1B56-S	\$626	F2B	54	1.15	9.30	84.5	13.465	115/208-230	9
3	2.2	3600	56H	003360S1CCD56-S	\$432	C1S	41	1.00	12.7	80.0	12.677	208-230	1;4;6;9
		3600	56H	003360T1B56-S	\$568	F2B	52	1.15	12.2	84.1	13.465	115/208-230	9
		3600	182T	003360S1B182T	\$607	W1B	91	1.25	15.0	81.5	14.448	115/208-230	39
		3600	182T	003360S1C182T	\$606	W1B	91	1.25	15.0	81.5	14.448	208-230	39
		1800	184T	003180S1B184T	\$690	W1B	105	1.25	17.5	75.0	14.870	115/208-230	39
		1800	184T	003180S1C184T	\$690	W1B	105	1.25	17.5	75.0	14.870	208-230	39
		1800	184T	003180S1CCDOL184T	\$687	C1	99	1.15	17.5	75.0	14.875	208-230	4;6;39

continued on next page

Please refer to back cover for description of "NOTES"

For detailed specifications, data sheets, drawings and performance curves visit <http://www.weg.net>

Data subject to change without notice.

Can't find what you are looking for? Call 1-800-ASK-4WEG (275-4934)

ODP - Foot Mount - *continued*

HP	kW	RPM	Frame	Catalog Number	List Price	Mult. Symbol	Approx. Shipping Weight (lbs)	Service Factor	FL Amps @ High	FL Eff (%)	"C" Dimension (in)	Voltage (V)	Notes
5	3.7	3600	56H	005360S1DCD56H-S	\$458	C1S	53	1.00	20.3	80.0	13.465	230	1;4;6;9
		3600	56HZ	005360S1DCD56HZ-S	\$481	C1S	53	1.00	20.3	80.0	13.533	230	1;4;5;6;9
		3600	W182/4Y	005360S1CCDW184Y-S	\$526	C1S	56	1.00	20.7	80.0	15.152	208-230	1;4;5;6;9
		3600	184T	005360S1B184T	\$863	W1B	110	1.25	21.0	81.5	14.870	115/208-230	39
		3600	184T	005360S1C184T	\$863	W1B	110	1.25	21.0	81.5	14.870	208-230	39
		3600	184T	005360S1D184T	\$862	W1B	110	1.25	21.0	81.5	14.870	230	39
		1800	184T	005180S1C184T	\$725	W1B	107	1.25	22.0	82.5	14.870	208-230	39
		1800	184T	005180S1CCDOL184T	\$721	C1	101	1.15	21.5	82.5	14.875	208-230	4;6;39
		1800	184T	005180S1CCD184T	\$682	C1	102	1.25	21.5	82.5	14.875	208-230	6;10;39
7.5	5.5	3600	184T	007360S1C184T	\$961	W1B	120	1.25	30.0	85.0	14.870	208-230	39
		1800	213/5T	007180S1F215T	\$961	W1B	130	1.15	15.3	85.0	19.660	230/460	5;9;28
		1800	215T	007180S1CCD215T	\$961	C1	129	1.15	31.3	84.5	19.660	208-230	5;6;9;28
10	7.5	1800	215T	010180S1CCD215T	\$1,468	C1	162	1.15	43.0	85.0	21.235	208-230	5;6;9;28



ODP - Resilient Base

HP	kW	RPM	Frame	Catalog Number	List Price	Mult. Symbol	Approx. Shipping Weight (lbs)	Service Factor	FL Amps @ High	FL Eff (%)	"C" Dimension (in)	Voltage (V)	Notes
0.16	0.12	1800	48Z	.16180S1ASPRB048Z-S	\$272	F1B	21	1.35	3.00	50.5	10.138	115	3;9;13;16
		1800	48Z	.16180S1ASPRB48Z-S	\$260	F1B	21	1.35	3.00	50.5	10.138	115	3;9;13;16
0.25	0.18	1800	48Z	.25180S1BSPRB048Z-S	\$274	F1B	22	1.35	2.10	55.0	10.138	115/208-230	3;9;13;16
		1800	48Z	.25180S1ASPRB048Z-S	\$274	F1B	22	1.35	4.30	55.0	10.138	115	3;9;13;16
		1800	48Z	.25180S1ASPRB48Z-S	\$262	F1B	22	1.35	4.30	55.0	10.138	115	3;9;13;16
0.33	0.25	1800	48Z	.33180S1BSPRB048Z-S	\$284	F1B	24	1.35	2.60	60.8	10.138	115/208-230	3;9;13;16
		1800	48Z	.33180S1BSPRB48Z-S	\$272	F1B	24	1.35	2.60	60.8	10.138	115/208-230	3;9;13;16
		1800	W56	.33180S1BSPRBOW56-S	\$288	F1B	25	1.35	2.60	62.0	10.138	115/208-230	3;9;13;16
		1800	W56	.33180S1BSPRBW56-S	\$276	F1B	25	1.35	2.60	62.0	10.138	115/208-230	3;9;13;16
		1800	W56	.33180T1BRBOW56-S	\$325	F2B	24	1.35	2.10	72.4	10.925	115/208-230	3;9;13
0.50	0.37	1800	48Z	.50180S1BSPRB048Z-S	\$311	F1B	29	1.25	3.70	63.5	10.925	115/208-230	3;9;13;16
		1800	48Z	.50180S1BSPRB48Z-S	\$299	F1B	29	1.25	3.70	63.5	10.925	115/208-230	3;9;13;16
		1800	W56	.50180S1BSPRBOW56-S	\$316	F1B	30	1.25	3.70	63.5	10.945	115/208-230	3;9;13;16
		1800	W56	.50180S1BSPRBW56-S	\$304	F1B	30	1.25	3.70	63.5	10.945	115/208-230	3;9;13;16
		1800	W56	.50180T1BRBOW56-S	\$368	F2B	26	1.25	2.75	76.2	11.319	115/208-230	3;9;13
0.75	0.55	1800	56	.75180T1BRB056-S	\$434	F2B	38	1.25	3.40	81.8	12.402	115/208-230	3;9;13
1	0.75	1800	56	001180T1BRB056-S	\$468	F2B	43	1.15	4.50	82.6	13.189	115/208-230	3;9;13
1.5	1.1	3600	56	001560T1BRB056-S	\$450	F2B	39	1.15	6.20	81.5	12.795	115/208-230	3;9;13
		1800	56H	001580T1BRB056-S	\$570	F2B	50	1.15	6.80	83.8	13.583	115/208-230	3;9;13
2	1.5	1800	56H	002180T1BRB056H-S	\$616	F2B	57	1.15	9.30	84.5	14.373	115/208-230	3;9;13

Please refer to back cover for description of "NOTES"

For detailed specifications, data sheets, drawings and performance curves visit <http://www.weg.net>



Single-Phase General Purpose Motors

Single-Phase
General Purpose
Motors

ODP - C-Face - Foot Mount

HP	kW	RPM	Frame	Catalog Number	List Price	Mult. Symbol	Approx. Shipping Weight (lbs)	Service Factor	FL Amps @ High	FL. Eff (%)	"C" Dimension (in)	Voltage (V)	Notes
0.12	0.09	1800	48CH	.12180S1B48CH-S	\$222	F1B	18	1.40	1.40	50.0	9.098	115/208-230	9
0.16	0.12	3600	48CH	.16360S1B48CH-S	\$237	F1B	21	1.35	1.40	53.0	9.098	115/208-230	9
		1800	48CH	.16180S1B48CH-S	\$231	F1B	22	1.35	1.70	53.0	9.098	115/208-230	9
0.25	0.18	3600	48CH	.25360T1B48CH-S	\$277	F2B	19	1.35	1.30	66.6	9.492	115/208-230	9
		3600	W56C	.25360T1BW56C-S	\$281	F2B	19	1.35	1.30	66.6	9.866	115/208-230	9
		1800	48CH	.25180T1B48CH-S	\$269	F2B	18	1.35	1.60	68.5	9.492	115/208-230	9
		1800	W56C	.25180T1BW56C-S	\$269	F2B	19	1.35	1.60	68.5	9.866	115/208-230	9
0.33	0.25	3600	48CH	.33360T1B48CH-S	\$282	F2B	23	1.35	1.60	70.5	9.886	115/208-230	9
		3600	W56C	.33360T1BW56C-S	\$285	F2B	23	1.35	1.60	70.5	10.260	115/208-230	9
		1800	48CH	.33180T1B48CH-S	\$299	F2B	20	1.35	2.10	72.4	9.886	115/208-230	9
		1800	W56C	.33180T1BW56C-S	\$303	F2B	21	1.35	2.10	72.4	10.260	115/208-230	9
0.50	0.37	3600	48CH	.50360T1B48CH-S	\$300	F2B	23	1.25	2.40	72.4	9.886	115/208-230	9
		3600	W56C	.50360T1BW56C-S	\$310	F2B	24	1.25	2.40	72.4	10.260	115/208-230	9
		1800	W56C	.50180T1BOW56C-S	\$352	F2B	24	1.25	2.80	76.2	10.654	115/208-230	3;9
		1800	W56C	.50180T1BW56C-S	\$335	F2B	24	1.25	2.80	76.2	10.654	115/208-230	9
0.75	0.55	3600	56C	.75360T1B56C-S	\$348	F2B	30	1.25	3.40	76.2	11.890	115/208-230	9
		1800	56C	.75180T1B56C-S	\$415	F2B	38	1.25	3.40	81.8	11.890	115/208-230	9
1	0.75	3600	56C	001360T1B56C-S	\$375	F2B	35	1.25	4.30	80.4	11.890	115/208-230	9
		1800	56C	001180T1B56C-S	\$449	F2B	41	1.15	4.50	82.6	12.677	115/208-230	9
1.5	1.1	3600	56C	001560T1B56C-S	\$421	F2B	38	1.15	6.20	81.5	12.284	115/208-230	9
		1800	56HC	001580T1B56C-S	\$551	F2B	49	1.15	6.80	83.8	13.071	115/208-230	9
2	1.5	3600	56HC	002360T1B56C-S	\$513	F2B	43	1.15	8.40	82.9	12.677	115/208-230	9
		1800	56HC	002180T1B56C-S	\$654	F2B	54	1.15	9.30	84.5	13.465	115/208-230	9
3	2.2	3600	56HC	003360T1B56C-S	\$596	F2B	52	1.15	12.2	84.1	13.465	115/208-230	9

Please refer to back cover for description of "NOTES"

For detailed specifications, data sheets, drawings and performance curves visit <http://www.weg.net>

Data subject to change without notice.

Can't find what you are looking for? Call 1-800-ASK-4WEG (275-4934)

Single-Phase General Purpose Motors



Single-Phase
General Purpose
Motors

ODP - C-Face - Footless

HP	kW	RPM	Frame	Catalog Number	List Price	Mult. Symbol	Approx. Shipping Weight (lbs)	Service Factor	FL Amps @ High	FL. Eff (%)	"C" Dimension (in)	Voltage (V)	Notes
0.33	0.25	3600	W56C	.33360T1BW56CFL-S	\$285	F2B	23	1.35	1.60	70.5	10.260	115/208-230	9;20
		3600	W56C	.33360T1BOW56CFL-S	\$302	F2B	23	1.35	1.60	70.5	10.260	115/208-230	3;9;20
		1800	W56C	.33180T1BW56CFL-S	\$303	F2B	20	1.35	2.10	72.4	10.260	115/208-230	9;20
0.50	0.37	3600	W56C	.50360T1BOW56CFL-S	\$327	F2B	23	1.25	2.40	72.4	10.260	115/208-230	3;9;20
		3600	W56C	.50360T1BW56CFL-S	\$310	F2B	23	1.25	2.40	72.4	10.260	115/208-230	9;20
		1800	W56C	.50180T1BW56CFL-S	\$335	F2B	23	1.25	2.80	76.2	10.654	115/208-230	9;20
0.75	0.55	3600	56C	.75360T1B056CFL-S	\$365	F2B	29	1.25	3.40	76.2	11.890	115/208-230	3;9;20
		3600	56C	.75360T1B56CFL-S	\$348	F2B	29	1.25	3.40	76.2	11.890	115/208-230	9;20
		1800	56C	.75180T1B56CFL-S	\$415	F2B	38	1.25	3.40	81.8	11.890	115/208-230	9;20
1	0.75	3600	56C	001360T1B56CFL-S	\$375	F2B	35	1.25	4.30	80.4	11.890	115/208-230	9;20
		3600	56C	001360T1B056CFL-S	\$392	F2B	35	1.25	4.30	80.4	11.890	115/208-230	3;9;20
		1800	56C	001180T1B56CFL-S	\$449	F2B	41	1.15	4.50	82.6	12.677	115/208-230	9;20
1.5	1.1	3600	56C	001560T1B56CFL-S	\$421	F2B	38	1.15	6.20	81.5	12.284	115/208-230	9;20
		3600	56C	001560T1B056CFL-S	\$438	F2B	38	1.15	6.20	81.5	12.284	115/208-230	3;9;20
		1800	56C	001580T1B56CFL-S	\$551	F2B	48	1.15	6.80	83.8	13.071	115/208-230	9;20
2	1.5	3600	56C	002360T1B56CFL-S	\$513	F2B	43	1.15	8.40	82.9	12.677	115/208-230	9;20
		3600	56C	002360T1B056CFL-S	\$530	F2B	43	1.15	8.40	82.9	12.677	115/208-230	3;9;20
		1800	56C	002180T1B56CFL-S	\$654	F2B	54	1.15	9.30	84.5	13.465	115/208-230	9;20
3	2.2	3600	56C	003360T1B056CFL-S	\$613	F2B	51	1.15	12.2	84.1	13.465	115/208-230	3;9;20
		3600	56C	003360T1B56CFL-S	\$596	F2B	51	1.15	12.2	84.1	13.465	115/208-230	9;20



ODP - Foot Mount - Thermally Protected

HP	kW	RPM	Frame	Catalog Number	List Price	Mult. Symbol	Approx. Shipping Weight (lbs)	Service Factor	FL Amps @ High	FL. Eff (%)	"C" Dimension (in)	Voltage (V)	Notes
0.50	0.37	3600	W56	.50360S1BCDW56-S	\$224	C1S	28	1.00	3.10	63.0	9.866	115/208-230	1;4;6;9
0.75	0.55	3600	W56	.75360S1BCDW56-S	\$237	C1S	22	1.00	4.30	68.5	10.260	115/208-230	1;4;6;9
1	0.75	3600	56	001360S1BCD56-S	\$278	C1S	36	1.00	6.60	67.0	11.102	115/208-230	1;4;6;9
		1800	56	001180T1B056-S	\$438	F2B	41	1.15	4.50	82.6	12.677	115/208-230	3;9
1.5	1.1	3600	56	001560S1BCD56-S	\$311	C1S	40	1.00	8.70	68.0	11.496	115/208-230	1;4;6;9
		1800	56H	001580T1B056-S	\$541	F2B	50	1.15	6.80	83.8	13.465	115/208-230	3;9
2	1.5	3600	56H	002360S1BCD56-S	\$372	C1S	34	1.00	8.90	70.0	11.890	115/208-230	1;4;6;9
3	2.2	3600	56H	003360S1CCD56-S	\$432	C1S	41	1.00	12.7	80.0	12.677	208-230	1;4;6;9
5	3.7	3600	56H	005360S1DCD56H-S	\$458	C1S	53	1.00	20.3	80.0	13.465	230	1;4;6;9
		3600	56HZ	005360S1DCD56HZ-S	\$481	C1S	53	1.00	20.3	80.0	13.533	230	1;4;5;6;9
		3600	W182/4Y	005360S1CCDW184Y-S	\$526	C1S	56	1.00	20.7	80.0	15.152	208-230	1;4;5;6;9

Please refer to back cover for description of "NOTES"

For detailed specifications, data sheets, drawings and performance curves visit <http://www.weg.net>

MUCH MORE than your **Typical** **CAST IRON MOTOR**



You do not need a special motor for severe duty applications.
Severe Duty is standard with WEG W22 motors.

- Severe Duty (IP55)
- 1.25 SF (up to 100 HP)
- IEEE841 Vibration Levels
- Certified Class I, Div 2
- Inverter Rated 20:1 CT

Available in NEMA Premium or Super Premium Efficiency Levels



**ASK WHAT WEG
CAN DO FOR YOU!**

TEFC – Foot Mount	A-32
TEFC – C-Face – Foot Mount	A-42
TEFC – C-Face – Footless	A-46
ODP – Foot Mount	A-50
ODP – C-Face – Foot Mount	A-56
ODP – C-Face – Footless	A-60
ODP – Resilient Base	A-60

IEEE 841 - Three-Phase

TEFC – Foot Mount – NEMA Premium®	A-62
TEFC – C-Face – Foot Mount – NEMA Premium®	A-66
TEFC – C-Face – Footless – NEMA Premium®	A-66

BRAKE MOTORS – Three-Phase

TEFC – Foot Mount	A-69
TEFC – C-Face – Foot Mount	A-70

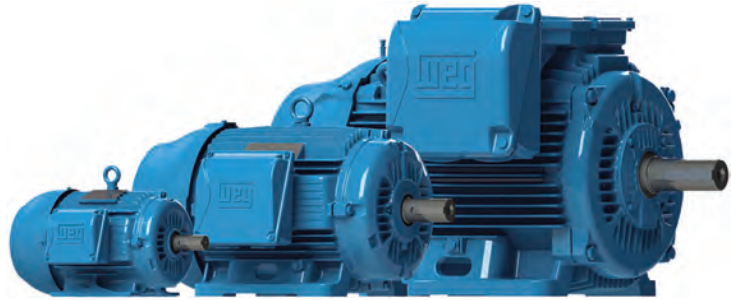
IEC TRU-METRIC™ - Three-Phase

TEFC – Foot Mount	A-73
-------------------	------

Three Phase General Purpose Motors

W22 - CAST IRON

Three-Phase
General Purpose
Motors



Standard Features:

- 50/60 Hz rated (380V on nameplate - 400/415 available)
- Rated 50HZ at same horsepower up to 250HP 1.0 Service Factor for 2,4 & 6 pole motors
- Rated 50Hz at same horsepower up to 125HP 1.0 Service Factor for 8 pole motors
- Class F insulation (impregnation resin and magnet wire are class H)
- F1 mounted (cast iron frames are F2 convertible). Frames 447T and up can easily be F2 converted by simply rotating the terminal box adapter
- Cast iron frames: regreasable ball bearings (frames 254T and up)
- Gasketed conduit box

Inverter Rated*

1000:1 for Variable Torque

NEMA Premium®

20:1 Constant Torque up to 250HP

6:1 Constant Torque 300HP and up

* Insulated NDE housing standard on L447/9T and above

Features that make a difference:

- All NEMA Premium® ratings have a 1.25 Service Factor (up to 100 HP) resulting in cooler operation and extended life of the motor
- All Cast Iron Construction, including Terminal Box and Fan Cover*
- Solid feet for reduced vibration levels and impact absorption
- Optimized ventilation system for cooler operation and extended life
- High Grade FC200 cast iron provides superior mechanical strength and heat dissipation
- All WEG W22 motors are Totally Enclosed Fan Cooled with a true IP55 rating against dust and moisture. (IP56, IP65 and IP66 available as options)
- Exclusive W-Seal 364T and larger provides superior bearing protection
- Taconite Labyrinth seal 586 Frame and larger
- Exclusive WEG painting system exceed 200hrs ASTM 117 corrosion test (Exceeds IEEE 841 standard)
- Balanced to 0.08 inches per second vibration limits (Meets IEEE 841 standard)
- Four Bolt Conduit Cover with glued Neoprene Gasket
- Impregnation Resin and magnet wire are insulation class H
- Stainless Steel Nameplate - Laser etched with high contrast background
- Corrosion Proof Drains
- Inverter Duty per NEMA MG1, Part 31
- Certified Class I Div 2, Groups A, B, C & D; Class II, Div 2, Groups F & G
- Suitable for IEEE45 and USCG 259 – Marine Duty

*Cast iron fan cover available as an option on 143-215T frames

ADDITIONAL TECHNICAL DATA

ELECTRICAL DATA: B-12

MECHANICAL DATA: B-68



W22

TEFC - Cast Iron

Three-Phase
General Purpose
Motors

Cooling System

Fan Cover

- Aerodynamic design
- Minimal noise levels
- Superb air flow distribution over frame
- Superior mechanical strength

Fan

- Reinforced fan hub structure
- Low noise design with exceptional air flow

Terminal Box

- Excellent connection quality
- Easy cable handling during installation
- Ample space available for accessory installation
- Easy to maintain
- Mounting F1/F2/F3
- Rotation on 90° stages

Bearing Caps

External

- Finned surface for superb bearing heat dissipation

Internal

- Positive pressure lubrication system
- High quality bearing lubrication
- Reduced bearing temperature

Seal Subsystem

- Excellent dust and moisture protection
- Excellent protection to high-pressure cleaning

Frame

- Low temperature on windings and bearings
- Low noise design
- Terminal box position outlet on top 447T and larger

Pad for vibration sensor

- Displaced 90° from each other

Enhanced Lifting Provisions

- Easy handling - horizontal & vertical
- Superior mechanical strength and handling safety

Solid feet

- Impact resistance
- Ideal for high vibration level applications

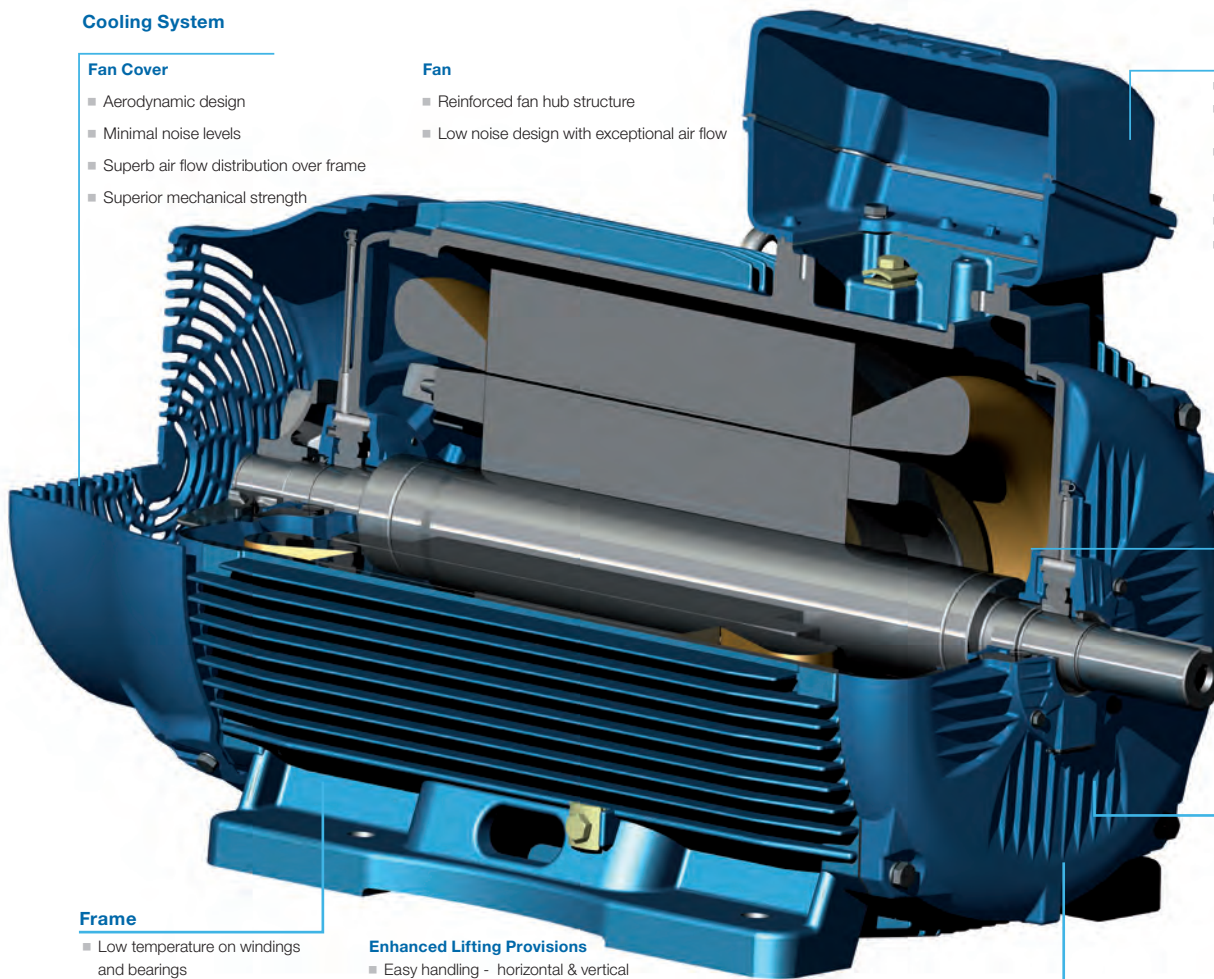
Endshields Subsystem

DE (Drive Endshield)

- Fin design increases air flow
- Bearing moved outwards for better load support
- Bearing heat dissipation for reduced bearing temperature
- Reinforced endshield structure

NDE (Non-Drive Endshield)

- Smooth exterior surface
- Optimal air flow
- Designed for low noise
- Structural rigidity for low vibration
- Insulated housing standard on L447/9T and above



Three-Phase General Purpose Motors

TEFC - ROLLED STEEL

Standard Features:

- Rated Output: 0.25 to 25 HP
- Number of Poles: 2 to 6
- Class F insulation
- Frame Sizes: NEMA 56 to 254/6T
- Frequency: 60 Hz (dual rated 50 Hz 190-220/380-415V)
- F1 mount as standard
- Foot mount / C-face / Footless availability
- Enclosure: TEFC
- Aluminum endshields
- Cast Iron flanges for improved strength (182/4TC and larger)
- Internal bolts, giving a clean surface to the motor, avoiding trapping materials and allowing easy paint job after assembly to the load if required
- Double shielded ball bearings on frames 56 to 213/5T.
- Versions: General Purpose, Jet Pump, Close-coupled Pump type “JM” and “JP”, and Crop Dryer

Optional Features:

- IP56 ingress protection
- F2 and F3 mount
- Enclosure: TEAO and TENV
- Regreasable bearings optional on 182/4T and 213/5T
- Double sealed ball bearings and/or bearing cap
- Drip cover
- Internal AEGIS® SGR
- Space heaters and thermal protection (thermostats and thermistors)
- Refer to the mod section for more options



Features that make a difference:

- New ventilation system for improved thermal performance
- Robust foot design suitable for tougher applications
- New and more robust eyebolts design (frames 182/4T and up) plus a second eyebolt on non-drive end allowing vertical lifting capability (frames 213/5T and 254/6T)
- Oversized diagonally split aluminum terminal box that exceeds IP55 requirements
- Terminal box rotatable in 90 degree increments for flexibility during installation
- Option for internal AEGIS® SGR
- Color coded leads as standard for easy wiring
- Regreasable ball bearings on 254/6T frame as standard (optional for 182/4T and 213/5T)
- IP55 Ingress Protection as standard, being appropriate for severe environments
- Bearing cap as standard on flanged motors, optional on non flanged
- Suitable for VFD operation as per NEMA MG1 part 31.4.4.2
- Motor frame painting system 500 hours salt spray resistant

ADDITIONAL TECHNICAL DATA

ELECTRICAL DATA: B-15

MECHANICAL DATA: B-71



Three-Phase General Purpose Motors



TEFC - Foot Mount

Three-Phase
General Purpose
Motors

HP	kW	RPM	Frame	Catalog Number	List Price	Mult. Symbol	Approx. Shipping Weight (lbs)	Service Factor	FL Amps @ High	FL Eff (%)	"C" Dimension (in)	Voltage (V)	Notes
0.25	0.18	3600	56	.2536ES3E56-S	\$237	F1	21	1.15	0.50	57.5	11.142	208-230/460	9
		1800	56	.2518ES3E56-S	\$249	F1	23	1.15	0.50	70.0	11.142	208-230/460	9
0.33	0.25	3600	56	.3336ES3E56-S	\$249	F1	22	1.15	0.60	62.0	11.142	208-230/460	9
		1800	56	.3318ES3E56-S	\$253	F1	24	1.15	0.60	74.0	11.535	208-230/460	9
0.5	0.37	3600	56	.5036ES3E56-S	\$258	F1	24	1.15	0.80	68.0	11.535	208-230/460	9
		1800	56	.5018ES3E56-S	\$287	F1	26	1.15	0.90	77.0	11.535	208-230/460	9
		1800	56	.5018ES3H56-S	\$288	F1	26	1.15	0.70	77.0	11.535	575	9
		1200	56	.5012ES3E56-S	\$417	F1	31	1.15	1.00	72.0	12.323	208-230/460	9
0.75	0.55	3600	56	.7536ES3E56-S	\$287	F1	25	1.15	1.10	72.0	11.535	208-230/460	9
		3600	56	.7536ES3H56-S	\$288	F1	25	1.15	0.90	72.0	11.535	575	9
		1800	56	.7518ES3E56-S	\$311	F1	28	1.15	1.20	78.5	11.929	208-230/460	9
		1200	56H	.7512ES3E56-S	\$427	F1	34	1.15	1.30	75.5	12.716	208-230/460	9
1	0.75	3600	W56	00136ET3EW56-S	\$392	F1	25	1.15	1.50	78.5	11.106	230/460	9
		3600	W56	00136ET3HW56-S	\$392	F1	25	1.15	1.20	78.5	11.106	575	9
		3600	143/5T	00136ET3E143T-S	\$420	RSP	31	1.15	1.40	78.5	13.189	230/460	9
		3600	143/5T	00136ET3H143T-S	\$420	RSP	31	1.15	1.10	78.5	13.189	575	9
		3600	143/5T	00136ET3E143T-W22	\$538	N1	45	1.25	1.44	81.5	13.358	230/460	
		3600	143/5T	00136ET3H143T-W22	\$538	N1	44	1.25	1.15	81.5	13.358	575	
		1800	56	00118ET3E56-S	\$379	F1	41	1.15	1.50	85.5	13.504	230/460	9
		1800	56	00118ET3H56-S	\$379	F1	41	1.15	1.20	85.5	13.504	575	9
		1800	143/5T	00118ET3E143T-S	\$459	RSP	42	1.15	1.50	85.5	13.583	230/460	9
		1800	143/5T	00118ET3H143T-S	\$459	RSP	42	1.15	1.20	85.5	13.583	575	9
		1800	143/5T	00118ET3E143T-W22	\$527	N1	48	1.25	1.47	85.5	13.358	230/460	
		1800	143/5T	00118ET3H143T-W22	\$527	N1	48	1.25	1.18	85.5	13.358	575	
		1200	56H	00112ET3E56-S	\$497	F1	42	1.15	1.60	82.5	13.504	230/460	9
		1200	143/5T	00112ET3E145T-S	\$529	RSP	43	1.15	1.60	82.5	13.583	230/460	9
		1200	143/5T	00112ET3H145T-S	\$529	RSP	43	1.15	1.30	82.5	13.583	575	9
		1200	143/5T	00112ET3E145T-W22	\$608	N1	55	1.25	1.73	82.5	13.358	230/460	
		1200	143/5T	00112ET3H145T-W22	\$608	N1	55	1.25	1.38	82.5	13.358	575	
		900	182/4T	00109ET3E182T-W22	\$1,043	N1	88	1.25	2.30	78.5	15.860	230/460	
		900	182/4T	00109ET3H182T-W22	\$1,043	N1	104	1.25	1.84	78.5	15.860	575	

continued on next page

Please refer to back cover for description of "NOTES"

For detailed specifications, data sheets, drawings and performance curves visit <http://www.weg.net>



TEFC - Foot Mount - *continued*

HP	kW	RPM	Frame	Catalog Number	List Price	Mult. Symbol	Approx. Shipping Weight (lbs)	Service Factor	FL Amps @ High	FL Eff (%)	"C" Dimension (in)	Voltage (V)	Notes
1.5	1.1	3600	56	00156ET3E56-S	\$433	F1	37	1.15	1.90	84.0	13.109	230/460	9
		3600	143/5T	00156ET3E143T-S	\$473	RSP	39	1.15	1.90	84.0	13.189	230/460	9
		3600	143/5T	00156ET3H143T-S	\$473	RSP	39	1.15	1.50	84.0	13.189	575	9
		3600	143/5T	00156ET3E143T-W22	\$543	N1	49	1.25	1.96	84.0	13.358	230/460	
		3600	143/5T	00156ET3H143T-W22	\$543	N1	49	1.25	1.57	84.0	13.358	575	
		1800	56H	00158ET3E56-S	\$435	F1	44	1.15	2.00	86.5	13.504	230/460	9
		1800	143/5T	00158ET3E145T-S	\$480	RSP	43	1.15	2.00	86.5	13.583	230/460	9
		1800	143/5T	00158ET3H145T-S	\$480	RSP	43	1.15	1.60	86.5	13.583	575	9
		1800	143/5T	00158ET3E145T-W22	\$551	N1	53	1.25	2.02	86.5	13.358	230/460	
		1800	143/5T	00158ET3H145T-W22	\$551	N1	53	1.25	1.62	86.5	13.358	575	
		1200	182/4T	00152ET3E182T-S	\$656	RSP	76	1.15	2.20	87.5	16.339	230/460	9
		1200	182/4T	00152ET3H182T-S	\$656	RSP	76	1.15	1.80	87.5	16.339	575	9
		1200	182/4T	00152ET3E182T-W22	\$754	N1	97	1.25	2.54	87.5	15.860	230/460	
		1200	182/4T	00152ET3H182T-W22	\$754	N1	97	1.25	2.03	87.5	15.860	575	
		900	182/4T	00159ET3E184T-W22	\$1,207	N1	102	1.25	2.70	82.5	15.860	230/460	
		900	182/4T	00159ET3H184T-W22	\$1,207	N1	102	1.25	2.16	82.5	15.860	575	
2	1.5	3600	56H	00236ET3E56-S	\$489	F1	44	1.15	2.50	85.5	13.898	230/460	9
		3600	143/5T	00236ET3E145T-S	\$514	RSP	45	1.15	2.50	85.5	13.976	230/460	9
		3600	143/5T	00236ET3H145T-S	\$514	RSP	45	1.15	2.00	85.5	13.976	575	9
		3600	143/5T	00236ET3E145T-W22	\$591	N1	54	1.25	2.56	85.5	13.358	230/460	
		3600	143/5T	00236ET3H145T-W22	\$591	N1	54	1.25	2.05	85.5	13.358	575	
		1800	56H	00218ET3E56-S	\$478	F1	46	1.15	2.70	86.5	13.898	230/460	9
		1800	143/5T	00218ET3E145T-S	\$533	RSP	47	1.15	2.70	86.5	13.976	230/460	9
		1800	143/5T	00218ET3H145T-S	\$533	RSP	47	1.15	2.20	86.5	13.976	575	9
		1800	143/5T	00218ET3E145T-W22	\$612	N1	51	1.25	2.76	86.5	13.358	230/460	
		1800	143/5T	00218ET3H145T-W22	\$612	N1	54	1.25	2.21	86.5	13.358	575	
		1200	182/4T	00212ET3E184T-S	\$713	RSP	86	1.15	3.00	88.5	17.126	230/460	9
		1200	182/4T	00212ET3H184T-S	\$713	RSP	86	1.15	2.40	88.5	17.126	575	9
		1200	182/4T	00212ET3E184T-W22	\$819	N1	108	1.25	3.22	88.5	15.860	230/460	39
		1200	182/4T	00212ET3H184T-W22	\$819	N1	103	1.25	2.58	88.5	15.860	575	39
		900	213/5T	00209ET3E213T-W22	\$1,848	N1	171	1.25	3.39	85.5	19.517	230/460	
		900	213/5T	00209ET3H213T-W22	\$1,848	N1	171	1.25	2.71	85.5	19.517	575	

continued on next page

Three-Phase
General Purpose
Motors

Please refer to back cover for description of "NOTES"

For detailed specifications, data sheets, drawings and performance curves visit <http://www.weg.net>

Data subject to change without notice.

Can't find what you are looking for? Call 1-800-ASK-4WEG (275-4934)

TEFC - Foot Mount - *continued*

 Three-Phase
General Purpose
Motors

HP	kW	RPM	Frame	Catalog Number	List Price	Mult. Symbol	Approx. Shipping Weight (lbs)	Service Factor	FL Amps @ High	FL Eff (%)	"C" Dimension (in)	Voltage (V)	Notes
3	2.2	3600	56H	00336ET3E56-S	\$578	F1	54	1.15	3.50	86.5	15.079	230/460	9
		3600	182/4T	00336ET3E182T-S	\$665	RSP	73	1.15	3.70	86.5	16.339	230/460	9
		3600	182/4T	00336ET3H182T-S	\$665	RSP	73	1.15	3.00	86.5	16.339	575	9
		3600	182/4T	00336ET3E182T-W22	\$763	N1	99	1.25	3.63	86.5	15.860	230/460	
		3600	182/4T	00336ET3H182T-W22	\$763	N1	99	1.25	2.90	86.5	15.860	575	
		1800	182/4T	00318ET3E182T-S	\$577	RSP	100	1.15	3.80	89.5	17.913	230/460	9
		1800	182/4T	00318ET3H182T-S	\$577	RSP	100	1.15	3.00	89.5	17.913	575	9
		1800	182/4T	00318ET3E182T-W22	\$663	N1	92	1.25	3.91	89.5	15.860	230/460	
		1800	182/4T	00318ET3H182T-W22	\$663	N1	94	1.25	3.13	89.5	15.860	575	
		1200	213/5T	00312ET3E213T-S	\$983	RSP	134	1.15	4.20	89.5	19.291	230/460	9
		1200	213/5T	00312ET3H213T-S	\$983	RSP	133	1.15	3.40	89.5	19.291	575	9
		1200	213/5T	00312ET3E213T-W22	\$1,129	N1	160	1.25	4.41	89.5	19.517	230/460	
		1200	213/5T	00312ET3H213T-W22	\$1,129	N1	163	1.25	3.53	89.5	19.517	575	
		900	213/5T	00309ET3E215T-W22	\$2,115	N1	189	1.25	4.55	85.5	19.517	230/460	
900	213/5T	00309ET3H215T-W22	\$2,115	N1	188	1.25	3.64	85.5	19.517	575			
5	3.7	3600	182/4T	00536ET3E184T-SRT	\$810	RSP	85	1.15	5.90	88.5	16.339	230/460	9
		3600	182/4T	00536ET3E184T-S	\$760	RSP	85	1.15	5.90	88.5	17.913	230/460	9
		3600	182/4T	00536ET3H184T-S	\$760	RSP	85	1.15	4.70	88.5	17.913	575	9
		3600	182/4T	00536ET3E184T-W22	\$873	N1	103	1.25	5.90	88.5	15.860	230/460	
		3600	182/4T	00536ET3H184T-W22	\$873	N1	106	1.25	4.72	88.5	15.860	575	
		1800	182/4T	00518ET3E184T-SRT	\$840	RSP	93	1.15	6.49	89.5	16.732	230/460	9
		1800	182/4T	00518ET3H184T-SRT	\$840	RSP	93	1.15	5.19	89.5	16.732	575	9
		1800	182/4T	00518ET3E184T-S	\$672	RSP	93	1.15	6.50	89.5	17.913	230/460	9
		1800	182/4T	00518ET3H184T-S	\$672	RSP	93	1.15	5.20	89.5	17.913	575	9
		1800	182/4T	00518ET3P184T-S	\$672	RSP	93	1.15	15.0	89.5	17.913	200	9
		1800	182/4T	00518ET3E184T-W22	\$772	N1	101	1.25	6.45	89.5	15.860	230/460	
		1800	182/4T	00518ET3H184T-W22	\$772	N1	104	1.25	5.16	89.5	15.860	575	
		1800	182/4T	00518ET3P184T-W22	\$772	N1	103	1.25	14.8	89.5	15.860	200	
		1200	213/5T	00512ET3E215T-S	\$1,160	RSP	153	1.15	6.70	89.5	20.079	230/460	9
		1200	213/5T	00512ET3H215T-S	\$1,160	RSP	152	1.15	5.40	89.5	20.079	575	9
		1200	213/5T	00512ET3E215T-W22	\$1,332	N1	170	1.25	6.83	89.5	19.517	230/460	
		1200	213/5T	00512ET3H215T-W22	\$1,332	N1	180	1.25	5.46	89.5	19.517	575	
		900	254/6T	00509ET3E254T-W22	\$3,301	N1	302	1.25	7.58	87.5	24.945	230/460	
900	254/6T	00509ET3H254T-W22	\$3,301	N1	321	1.25	6.06	87.5	24.945	575			

continued on next page

Please refer to back cover for description of "NOTES"

For detailed specifications, data sheets, drawings and performance curves visit <http://www.weg.net>



TEFC - Foot Mount - continued

HP	kW	RPM	Frame	Catalog Number	List Price	Mult. Symbol	Approx. Shipping Weight (lbs)	Service Factor	FL Amps @ High	FL. Eff (%)	"C" Dimension (in)	Voltage (V)	Notes
7.5	5.5	3600	182/4T	00736ET3E184T-W22	\$1,074	N1	106	1.25	8.76	89.5	15.860	230/460	12
		3600	213/5T	00736ET3E213T-SRT	\$1,078	RSP	126	1.15	8.67	89.5	18.897	230/460	9
		3600	213/5T	00736ET3E213T-S	\$980	RSP	143	1.15	8.70	89.5	20.079	230/460	9
		3600	213/5T	00736ET3H213T-S	\$980	RSP	143	1.15	7.00	89.5	20.079	575	9
		3600	213/5T	00736ET3E213T-W22	\$1,125	N1	149	1.25	8.76	89.5	19.517	230/460	
		3600	213/5T	00736ET3H213T-W22	\$1,125	N1	163	1.25	7.01	89.5	19.517	575	
		1800	213/5T	00718ET3E213T-S	\$948	RSP	140	1.15	9.10	91.7	18.898	230/460	9
		1800	213/5T	00718ET3H213T-S	\$948	RSP	140	1.15	7.30	91.7	18.898	575	9
		1800	213/5T	00718ET3P213T-S	\$948	RSP	140	1.15	20.9	91.7	18.898	200	9
		1800	213/5T	00718ET3E213T-W22	\$1,089	N1	170	1.25	9.18	91.7	19.517	230/460	
		1800	213/5T	00718ET3H213T-W22	\$1,089	N1	174	1.25	7.34	91.7	19.517	575	
		1800	213/5T	00718ET3P213T-W22	\$1,089	N1	175	1.25	21.1	91.7	19.517	200	
		1200	254/6T	00712ET3E254T-S	\$1,799	RSP	231	1.15	10.0	91.0	22.559	230/460	9
		1200	254/6T	00712ET3H254T-S	\$1,799	RSP	229	1.15	8.00	91.0	22.559	575	9
		1200	254/6T	00712ET3E254T-W22	\$2,065	N1	300	1.25	9.48	91.0	24.945	230/460	
		1200	254/6T	00712ET3H254T-W22	\$2,065	N1	316	1.25	7.58	91.0	24.945	575	39
		900	254/6T	00709ET3E256T-W22	\$3,658	N1	317	1.25	11.1	87.5	24.945	230/460	
		900	254/6T	00709ET3H256T-W22	\$3,658	N1	373	1.25	8.88	87.5	24.945	575	
10	7.5	3600	213/5T	01036ET3E215T-SRT	\$1,276	RSP	178	1.15	11.5	90.2	19.291	230/460	9
		3600	213/5T	01036ET3E215T-S	\$1,160	RSP	178	1.15	11.5	90.2	21.654	230/460	9
		3600	213/5T	01036ET3H215T-S	\$1,160	RSP	178	1.15	9.20	90.2	21.654	575	9
		3600	213/5T	01036ET3E215T-W22	\$1,332	N1	172	1.25	11.6	90.2	19.517	230/460	
		3600	213/5T	01036ET3H215T-W22	\$1,332	N1	180	1.25	9.28	90.2	19.517	575	
		1800	213/5T	01018ET3E215T-S	\$1,110	RSP	151	1.15	12.2	91.7	19.291	230/460	9
		1800	213/5T	01018ET3H215T-S	\$1,110	RSP	151	1.15	9.80	91.7	19.291	575	9
		1800	213/5T	01018ET3E215T-W22	\$1,273	N1	175	1.25	12.4	91.7	19.517	230/460	
		1800	213/5T	01018ET3H215T-W22	\$1,273	N1	188	1.25	9.92	91.7	19.517	575	
		1800	213/5T	01018ET3P215T-W22	\$1,273	N1	189	1.25	28.5	91.7	19.517	200	
		1200	254/6T	01012ET3E256T-S	\$2,088	RSP	261	1.15	13.8	91.0	23.346	230/460	9
		1200	254/6T	01012ET3H256T-S	\$2,088	RSP	259	1.15	11.0	91.0	23.346	575	9
		1200	254/6T	01012ET3E256T-W22	\$2,396	N1	318	1.25	12.9	91.0	24.945	230/460	
		1200	254/6T	01012ET3H256T-W22	\$2,396	N1	325	1.25	10.3	91.0	24.945	575	
		900	284/6T	01009ET3E284T-W22	\$4,634	N1	373	1.25	13.4	90.2	27.929	230/460	
900	284/6T	01009ET3H284T-W22	\$4,634	N1	371	1.25	10.7	90.2	27.929	575			

continued on next page

Please refer to back cover for description of "NOTES"

For detailed specifications, data sheets, drawings and performance curves visit <http://www.weg.net>

Data subject to change without notice.

Can't find what you are looking for? Call 1-800-ASK-4WEG (275-4934)

TEFC - Foot Mount - *continued*

 Three-Phase
General Purpose
Motors

HP	kW	RPM	Frame	Catalog Number	List Price	Mult. Symbol	Approx. Shipping Weight (lbs)	Service Factor	FL Amps @ High	FL Eff (%)	"C" Dimension (in)	Voltage (V)	Notes		
15	11	3600	213/5T	01536ET3E215T-W22	\$1,697	N1	192	1.25	17.0	91.0	19.517	230/460	12		
		3600	254/6T	01536ET3E254T-S	\$1,589	RSP	216	1.15	17.4	91.0	22.559	230/460	9		
		3600	254/6T	01536ET3H254T-S	\$1,589	RSP	216	1.15	13.9	91.0	22.559	575	9		
		3600	254/6T	01536ET3E254T-W22	\$1,824	N1	293	1.25	17.2	91.0	24.945	230/460			
		3600	254/6T	01536ET3H254T-W22	\$1,824	N1	298	1.25	13.8	91.0	24.945	575			
		1800	254/6T	01518ET3E254T-S	\$1,610	RSP	248	1.15	18.2	92.4	22.559	230/460	9		
		1800	254/6T	01518ET3H254T-S	\$1,610	RSP	248	1.15	14.6	92.4	22.559	575	9		
		1800	254/6T	01518ET3P254T-S	\$1,610	RSP	248	1.15	41.9	92.4	22.559	200	9		
		1800	254/6T	01518ET3E254T-W22	\$1,848	N1	339	1.25	18.0	92.4	24.945	230/460			
		1800	254/6T	01518ET3H254T-W22	\$1,848	N1	347	1.25	14.4	92.4	24.945	575			
		1800	254/6T	01518ET3P254T-W22	\$1,848	N1	349	1.25	41.4	92.4	24.945	200			
		1200	284/6TS	01512ET3E284TS-W22	\$3,291	N1	420	1.25	17.9	91.7	26.557	230/460			
		1200	284/6TS	01512ET3H284TS-W22	\$3,291	N1	360	1.25	14.3	91.7	26.557	575			
		1200	284/6T	01512ET3E284T-W22	\$3,291	N1	406	1.25	17.9	91.7	27.929	230/460			
		1200	284/6T	01512ET3H284T-W22	\$3,291	N1	420	1.25	14.3	91.7	27.929	575			
		20	15	3600	254/6T	02036ET3E256T-S	\$2,076	RSP	256	1.15	22.7	91.0	23.346	230/460	9
3600	254/6T			02036ET3H256T-S	\$2,076	RSP	256	1.15	18.2	91.0	23.346	575	9		
3600	254/6T			02036ET3E256T-W22	\$2,382	N1	317	1.25	23.2	91.0	24.945	230/460			
3600	254/6T			02036ET3H256T-W22	\$2,382	N1	323	1.25	18.6	91.0	24.945	575			
1800	254/6T			02018ET3E256T-S	\$1,918	RSP	279	1.15	24.7	92.4	23.346	230/460	9		
1800	254/6T			02018ET3H256T-S	\$1,918	RSP	279	1.15	19.8	93.0	23.346	575	9		
1800	254/6T			02018ET3E256T-W22	\$2,201	N1	386	1.25	24.1	93.0	24.945	230/460			
1800	254/6T			02018ET3H256T-W22	\$2,201	N1	396	1.25	19.3	93.0	24.945	575			
1800	254/6T			02018ET3P256T-W22	\$2,201	N1	397	1.25	55.4	93.0	24.945	200			
1200	284/6T			02012ET3E286T-W22	\$3,962	N1	432	1.25	24.2	91.7	27.929	230/460			
1200	284/6T			02012ET3H286T-W22	\$3,962	N1	447	1.25	19.4	91.7	27.929	575			
900	284/6T			02009ET3E286T-W22	\$5,854	N1	556	1.00	28.2	90.2	27.929	230/460	1;12;37		
900	324/6T			02009ET3E324T-W22	\$6,339	N1	548	1.25	28.3	91.0	31.116	230/460			
900	324/6T			02009ET3H324T-W22	\$6,339	N1	546	1.25	22.6	91.0	31.116	575			
25	18.5			3600	254/6T	02536ET3E256T-S	\$2,487	RSP	252	1.15	28.5	91.7	23.346	230/460	9
				3600	284/6TS	02536ET3E284TS-W22	\$2,998	N1	391	1.25	28.5	91.7	26.557	230/460	
		3600	284/6TS	02536ET3H284TS-W22	\$2,998	N1	405	1.25	22.8	91.7	26.557	575			
		1800	284/6TS	02518ET3E284TS-W22	\$2,743	N1	438	1.25	29.5	93.6	26.557	230/460			
		1800	284/6T	02518ET3E284T-W22	\$2,743	N1	408	1.25	29.5	93.6	27.929	230/460			
		1800	284/6T	02518ET3H284T-W22	\$2,743	N1	439	1.25	23.6	93.6	27.929	575			
		1200	324/6T	02512ET3E324T-W22	\$4,737	N1	569	1.25	30.4	93.0	31.116	230/460			
		1200	324/6T	02512ET3H324T-W22	\$4,737	N1	583	1.25	24.3	93.0	31.116	575			
		900	324/6T	02509ET3E326T-W22	\$7,315	N1	593	1.25	35.9	91.0	31.116	230/460			
900	324/6T	02509ET3H326T-W22	\$7,315	N1	593	1.25	28.7	91.0	31.116	575					

continued on next page

Please refer to back cover for description of "NOTES"

For detailed specifications, data sheets, drawings and performance curves visit <http://www.weg.net>



TEFC - Foot Mount - *continued*

HP	kW	RPM	Frame	Catalog Number	List Price	Mult. Symbol	Approx. Shipping Weight (lbs)	Service Factor	FL Amps @ High	FL. Eff (%)	"C" Dimension (in)	Voltage (V)	Notes
30	22	3600	284/6TS	03036ET3E286TS-W22	\$3,561	N1	408	1.25	33.8	91.7	26.557	230/460	
		3600	284/6TS	03036ET3H286TS-W22	\$3,561	N1	425	1.25	27.0	91.7	26.557	575	
		1800	284/6TS	03018ET3E286TS-W22	\$3,223	N1	476	1.25	35.1	93.6	26.557	230/460	
		1800	284/6T	03018ET3E286T-W22	\$3,223	N1	461	1.25	35.1	93.6	27.929	230/460	
		1800	284/6T	03018ET3H286T-W22	\$3,223	N1	476	1.25	28.1	93.6	27.929	575	
		1200	324/6T	03012ET3E326T-W22	\$5,273	N1	530	1.25	36.2	93.0	31.116	230/460	
		1200	324/6T	03012ET3H326T-W22	\$5,273	N1	627	1.25	29.0	93.0	31.116	575	
		900	364/5T	03009ET3E364T-W22	\$11,215	N1	899	1.25	37.0	92.4	34.251	230/460	
40	30	3600	324/6TS	04036ET3E324TS-W22	\$4,725	N1	546	1.25	45.8	92.4	29.616	230/460	
		3600	324/6TS	04036ET3H324TS-W22	\$4,725	N1	589	1.25	36.6	92.4	29.616	575	
		1800	324/6TS	04018ET3E324TS-W22	\$4,178	N1	613	1.25	47.1	94.1	31.116	230/460	
		1800	324/6T	04018ET3E324T-W22	\$4,178	N1	591	1.25	47.1	94.1	31.116	230/460	
		1800	324/6T	04018ET3H324T-W22	\$4,178	N1	614	1.25	37.7	94.1	31.116	575	
		1800	324/6T	04018ET3P324T-W22	\$4,178	N1	625	1.25	108	94.1	31.116	200	
		1200	364/5T	04012ET3E364T-W22	\$7,284	N1	964	1.25	46.5	94.1	34.251	230/460	
		1200	364/5T	04012ET3H364T-W22	\$7,284	N1	904	1.25	37.2	94.1	34.251	575	
50	37	3600	324/6TS	05036ET3E326TS-W22	\$5,316	N1	587	1.25	56.1	93.0	29.616	230/460	
		3600	324/6TS	05036ET3H326TS-W22	\$5,316	N1	610	1.25	44.9	93.0	29.616	575	
		1800	324/6TS	05018ET3E326TS-W22	\$5,100	N1	637	1.25	59.2	94.5	31.116	230/460	
		1800	324/6T	05018ET3E326T-W22	\$5,100	N1	585	1.25	59.2	94.5	31.116	230/460	
		1800	324/6T	05018ET3H326T-W22	\$5,100	N1	634	1.25	47.4	94.5	31.116	575	
		1200	364/5T	05012ET3E365T-W22	\$8,518	N1	914	1.25	57.4	94.1	34.251	230/460	
		1200	364/5T	05012ET3H365T-W22	\$8,518	N1	1026	1.25	45.9	94.1	34.251	575	
		900	404/5T	05009ET3E404T-W22	\$17,648	N1	1214	1.25	60.0	93.0	39.730	230/460	
60	45	3600	364/5TS	06036ET3E364TS-W22	\$7,552	N1	855	1.25	67.0	93.6	32.338	230/460	
		3600	364/5TS	06036ET3G364TS-W22	\$7,552	N1	961	1.25	67.0	93.6	32.338	460	
		3600	364/5TS	06036ET3H364TS-W22	\$7,552	N1	968	1.25	53.6	93.6	32.338	575	
		1800	364/5TS	06018ET3E364TS-W22	\$7,389	N1	1026	1.25	68.3	95.0	32.338	230/460	
		1800	364/5T	06018ET3E364T-W22	\$7,389	N1	946	1.25	68.3	95.0	34.251	230/460	
		1800	364/5T	06018ET3G364T-W22	\$7,389	N1	1025	1.25	68.3	95.0	34.251	460	
		1800	364/5T	06018ET3H364T-W22	\$7,389	N1	1033	1.25	54.6	95.0	34.251	575	
		1200	404/5T	06012ET3E404T-W22	\$10,497	N1	1252	1.25	69.5	94.5	39.730	230/460	
		1200	404/5T	06012ET3ERB404T-W22	\$10,497	N1	1262	1.25	69.5	94.5	39.730	230/460	14
		1200	404/5T	06012ET3G404T-W22	\$10,497	N1	1213	1.25	69.5	94.5	39.730	460	
		1200	404/5T	06012ET3H404T-W22	\$10,497	N1	1255	1.25	55.6	94.5	39.730	575	
900	404/5T	06009ET3E405T-W22	\$20,443	N1	1263	1.25	73.0	93.0	39.730	230/460			

continued on next page

Three-Phase
General Purpose
Motors

Please refer to back cover for description of "NOTES"

For detailed specifications, data sheets, drawings and performance curves visit <http://www.weg.net>

Data subject to change without notice.

Can't find what you are looking for? Call 1-800-ASK-4WEG (275-4934)

TEFC - Foot Mount - *continued*

 Three-Phase
General Purpose
Motors

HP	kW	RPM	Frame	Catalog Number	List Price	Mult. Symbol	Approx. Shipping Weight (lbs)	Service Factor	FL Amps @ High	FL. Eff (%)	"C" Dimension (in)	Voltage (V)	Notes
75	55	3600	364/5TS	07536ET3E365TS-W22	\$9,091	N1	900	1.25	81.9	93.6	32.338	230/460	
		3600	364/5TS	07536ET3G365TS-W22	\$9,091	N1	963	1.25	81.9	93.6	32.338	460	
		3600	364/5TS	07536ET3H365TS-W22	\$9,091	N1	967	1.25	65.5	93.6	32.338	575	
		1800	364/5TS	07518ET3E365TS-W22	\$8,705	N1	988	1.25	84.1	95.4	32.338	230/460	
		1800	364/5T	07518ET3E365T-W22	\$8,705	N1	969	1.25	84.1	95.4	34.251	230/460	
		1800	364/5T	07518ET3G365T-W22	\$8,705	N1	1045	1.25	84.1	95.4	34.251	460	
		1800	364/5T	07518ET3H365T-W22	\$8,705	N1	1050	1.25	67.3	95.4	34.251	575	
		1200	404/5T	07512ET3E405T-W22	\$12,058	N1	1303	1.25	84.9	94.5	39.730	230/460	
		1200	404/5T	07512ET3ERB405T-W22	\$12,058	N1	1262	1.25	84.9	94.5	39.730	230/460	14
		1200	404/5T	07512ET3G405T-W22	\$12,058	N1	1298	1.25	84.9	94.5	39.730	460	
		1200	404/5T	07512ET3GRB405T-W22	\$12,058	N1	1309	1.25	84.9	94.5	39.730	460	14
		1200	404/5T	07512ET3H405T-W22	\$12,058	N1	1303	1.25	67.9	94.5	39.730	575	
				900	444/5T	07509ET3E444T-W22	\$23,334	N1	1665	1.25	93.0	93.6	45.157
100	75	3600	404/5TS	10036ET3E405TS-W22	\$12,002	N1	1024	1.25	110	94.1	36.732	230/460	
		3600	404/5TS	10036ET3G405TS-W22	\$12,002	N1	1176	1.25	110	94.1	36.732	460	
		3600	404/5TS	10036ET3H405TS-W22	\$12,002	N1	1182	1.25	88.0	94.1	36.732	575	
		1800	404/5TS	10018ET3E405TS-W22	\$11,689	N1	1266	1.25	111	95.4	36.732	230/460	
		1800	404/5T	10018ET3E405T-W22	\$11,689	N1	1190	1.25	111	95.4	39.730	230/460	
		1800	404/5T	10018ET3ERB405T-W22	\$11,689	N1	1239	1.25	111	95.4	39.730	230/460	14
		1800	404/5T	10018ET3G405T-W22	\$11,689	N1	1280	1.25	111	95.4	39.730	460	
		1800	404/5T	10018ET3GRB405T-W22	\$11,689	N1	1199	1.25	111	95.4	39.730	460	14
		1800	404/5T	10018ET3H405T-W22	\$11,689	N1	1283	1.25	88.8	95.4	39.730	575	
		1800	404/5T	10018ET3HRB405T-W22	\$11,689	N1	1294	1.25	88.8	95.4	39.730	575	14
		1200	444/5T	10012ET3E444T-W22	\$15,631	N1	1786	1.25	121	95.0	45.157	230/460	
		1200	444/5T	10012ET3ERB444T-W22	\$15,631	N1	1859	1.25	121	95.0	45.157	230/460	14
		1200	444/5T	10012ET3G444T-W22	\$15,631	N1	1840	1.25	121	95.0	45.157	460	
		1200	444/5T	10012ET3GRB444T-W22	\$15,631	N1	1854	1.25	121	95.0	45.157	460	14
		1200	444/5T	10012ET3H444T-W22	\$15,631	N1	1837	1.25	96.8	95.0	45.157	575	
				900	444/5T	10009ET3E445T-W22	\$26,988	N1	1900	1.25	127	94.1	45.157
		900	444/5T	10009ET3G445T-W22	\$26,988	N1	1939	1.25	127	94.1	45.157	460	

continued on next page

Please refer to back cover for description of "NOTES"

For detailed specifications, data sheets, drawings and performance curves visit <http://www.weg.net>



TEFC - Foot Mount - *continued*

HP	kW	RPM	Frame	Catalog Number	List Price	Mult. Symbol	Approx. Shipping Weight (lbs)	Service Factor	FL Amps @ High	FL. Eff (%)	"C" Dimension (in)	Voltage (V)	Notes
125	90	3600	444/5TS	12536ET3E444TS-W22	\$15,350	N1	1802	1.15	134	95.0	41.407	230/460	
		3600	444/5TS	12536ET3G444TS-W22	\$15,350	N1	1798	1.15	134	95.0	41.407	460	
		3600	444/5TS	12536ET3H444TS-W22	\$15,350	N1	1795	1.15	107	95.0	41.407	575	
		1800	444/5TS	12518ET3E444TS-W22	\$14,748	N1	1627	1.15	139	95.4	41.407	230/460	
		1800	444/5T	12518ET3E444T-W22	\$14,748	N1	1699	1.15	139	95.4	45.157	230/460	
		1800	444/5T	12518ET3ERB444T-W22	\$14,748	N1	1730	1.15	139	95.4	45.157	230/460	14
		1800	444/5T	12518ET3G444T-W22	\$14,748	N1	1710	1.15	139	95.4	45.157	460	
		1800	444/5T	12518ET3GRB444T-W22	\$14,748	N1	1736	1.15	139	95.4	45.157	460	14
		1800	444/5T	12518ET3H444T-W22	\$14,748	N1	1815	1.15	111	95.4	45.157	575	
		1200	444/5T	12512ET3E445T-W22	\$17,947	N1	1980	1.15	143	95.0	45.157	230/460	
		1200	444/5T	12512ET3ERB445T-W22	\$17,947	N1	1993	1.15	143	95.0	45.157	230/460	14
		1200	444/5T	12512ET3G445T-W22	\$17,947	N1	1893	1.15	143	95.0	45.157	460	
		1200	444/5T	12512ET3GRB445T-W22	\$17,947	N1	1996	1.15	143	95.0	45.157	460	14
		1200	444/5T	12512ET3H445T-W22	\$17,947	N1	1974	1.15	114	95.0	45.157	575	
900	445/7T	12509ET3G447T-W22	\$28,175	N1	2235	1.15	151	94.5	48.701	460			
150	110	3600	444/5TS	15036ET3E445TS-W22	\$18,882	N1	1899	1.15	161	95.0	41.407	230/460	
		3600	444/5TS	15036ET3G445TS-W22	\$18,882	N1	1908	1.15	161	95.0	41.407	460	
		1800	444/5TS	15018ET3G445TS-W22	\$17,420	N1	1869	1.15	170	95.8	41.407	460	
		1800	444/5T	15018ET3E445T-W22	\$17,420	N1	1918	1.15	170	95.8	45.157	230/460	
		1800	444/5T	15018ET3G445T-W22	\$17,420	N1	1905	1.15	170	95.8	45.157	460	
		1800	444/5T	15018ET3GRB445T-W22	\$17,420	N1	1853	1.15	170	95.8	45.157	460	14
		1800	444/5T	15018ET3H445T-W22	\$17,420	N1	1958	1.15	136	95.8	45.157	575	
		1800	444/5T	15018ET3HRB445T-W22	\$17,420	N1	2034	1.15	136	95.8	45.157	575	14
		1200	445/7T	15012ET3E447T-W22	\$20,639	N1	2354	1.15	176	95.8	48.701	230/460	
		1200	445/7T	15012ET3G447T-W22	\$20,639	N1	2472	1.15	176	95.8	48.701	460	
		1200	445/7T	15012ET3GRB447T-W22	\$20,639	N1	2371	1.15	176	95.8	48.701	460	14
		1200	445/7T	15012ET3H447T-W22	\$20,639	N1	2467	1.15	141	95.8	48.701	575	
900	447/9T	15009ET3G449T-W22	\$30,677	N1	3079	1.15	185	94.5	56.338	460			

continued on next page

Please refer to back cover for description of "NOTES"

For detailed specifications, data sheets, drawings and performance curves visit <http://www.weg.net>

Data subject to change without notice.

TEFC - Foot Mount - *continued*

Three-Phase
General Purpose
Motors

HP	kW	RPM	Frame	Catalog Number	List Price	Mult. Symbol	Approx. Shipping Weight (lbs)	Service Factor	FL Amps @ High	FL Eff (%)	"C" Dimension (in)	Voltage (V)	Notes
200	150	3600	445/7TS	20036ET3E447TS-W22	\$23,562	N1	2224	1.15	219	95.4	44.951	230/460	
		3600	445/7TS	20036ET3G447TS-W22	\$23,562	N1	2046	1.15	219	95.4	44.951	460	
		3600	504/5S	20036ET3G504S-W22	\$23,562	N1	2373	1.15	222	95.4	48.215	460	
		1800	445/7TS	20018ET3G447TS-W22	\$21,098	N1	2138	1.15	230	96.2	44.951	460	
		1800	445/7T	20018ET3E447T-W22	\$21,098	N1	2349	1.15	230	96.2	48.701	230/460	
		1800	445/7T	20018ET3G447T-W22	\$21,098	N1	2224	1.15	230	96.2	48.701	460	
		1800	445/7T	20018ET3GRB447T-W22	\$21,098	N1	2209	1.15	230	96.2	48.701	460	14
		1800	445/7T	20018ET3H447T-W22	\$21,098	N1	2477	1.15	184	96.2	48.701	575	
		1800	445/7T	20018ET3HRB447T-W22	\$21,098	N1	1850	1.15	184	96.2	48.701	575	14
		1800	504/5	20018ET3G504-W22	\$21,098	N1	2621	1.15	228	96.2	54.095	460	
		1200	445/7T	20012ET3G447T-W22	\$25,133	N1	2406	1.15	237	95.8	48.701	460	
		1200	445/7T	20012ET3GRB447T-W22	\$25,133	N1	2588	1.15	237	95.8	48.701	460	14
		1200	447/9T	20012ET3E449T-W22	\$25,255	N1	2495	1.15	237	95.8	56.338	230/460	
		1200	447/9T	20012ET3G449T-W22	\$25,255	N1	3044	1.15	237	95.8	56.338	460	
		1200	447/9T	20012ET3GRB449T-W22	\$25,255	N1	2940	1.15	237	95.8	56.338	460	14
		1200	447/9T	20012ET3H449T-W22	\$25,255	N1	2933	1.15	190	95.8	56.338	575	
		1200	504/5	20012ET3G505-W22	\$25,255	N1	2467	1.15	237	95.8	54.095	460	
		900	447/9T	20009ET3G449T-W22	\$49,899	N1	3255	1.15	254	95.0	56.338	460	
250	185	3600	445/7TS	25036ET3G447TS-W22	\$29,846	N1	2535	1.15	266	95.8	44.951	460	
		3600	447/9TS	25036ET3G449TS-W22	\$33,173	N1	2730	1.15	266	95.8	52.588	460	
		1800	445/7TS	25018ET3G447TS-W22	\$27,189	N1	2709	1.15	281	96.2	44.951	460	
		1800	445/7TS	25018ET3H447TS-W22	\$27,189	N1	2896	1.15	225	96.2	44.951	575	
		1800	445/7T	25018ET3G447T-W22	\$26,716	N1	2446	1.15	281	96.2	48.701	460	
		1800	445/7T	25018ET3GRB447T-W22	\$26,716	N1	2554	1.15	281	96.2	48.701	460	14
		1800	445/7T	25018ET3HRB447T-W22	\$26,716	N1	2414	1.15	225	96.2	48.701	575	14
		1800	447/9T	25018ET3G449T-W22	\$26,803	N1	2879	1.15	281	96.2	56.338	460	
		1800	447/9T	25018ET3GRB449T-W22	\$26,803	N1	2815	1.15	281	96.2	56.338	460	14
		1200	447/9T	25012ET3E449T-W22	\$35,555	N1	3217	1.15	292	95.8	56.338	230/460	
		1200	447/9T	25012ET3G449T-W22	\$35,555	N1	3090	1.15	292	95.8	56.338	460	
		1200	447/9T	25012ET3GRB449T-W22	\$35,555	N1	3224	1.15	292	95.8	56.338	460	14
		1200	447/9T	25012ET3H449T-W22	\$35,555	N1	3206	1.15	234	95.8	56.338	575	
		1200	586/7	25012ET3G586/7-W22	\$39,631	N1	3769	1.15	299	95.8	61.902	460	43
		900	L447/9T	25009ET3G449T-W22	\$56,168	N1	3590	1.15	308	95.4	57.181	460	43
300	220	3600	447/9TS	30036ET3G449TS-W22	\$38,269	N1	2987	1.15	320	95.8	52.588	460	
		1800	447/9TS	30018ET3G449TS-W22	\$31,384	N1	2894	1.15	330	96.2	52.588	460	44
		1800	447/9T	30018ET3G449T-W22	\$31,384	N1	2888	1.15	330	96.2	56.338	460	
		1800	447/9T	30018ET3GRB449T-W22	\$31,384	N1	2992	1.15	330	96.2	56.338	460	14
		1200	447/9T	30012ET3G449T-W22	\$38,437	N1	3178	1.15	356	95.8	56.338	460	37
		1200	586/7	30012ET3G586/7-W22	\$44,301	N1	4061	1.15	356	95.8	61.902	460	43
		900	L447/9T	30009ET3G449T-W22	\$58,655	N1	3826	1.15	371	95.4	57.181	460	19;43

continued on next page

Please refer to back cover for description of "NOTES"

For detailed specifications, data sheets, drawings and performance curves visit <http://www.weg.net>



TEFC - Foot Mount - *continued*

HP	kW	RPM	Frame	Catalog Number	List Price	Mult. Symbol	Approx. Shipping Weight (lbs)	Service Factor	FL Amps @ High	FL. Eff (%)	"C" Dimension (in)	Voltage (V)	Notes
350	260	3600	447/9TS	35036ET3G449TS-W22	\$43,805	N1	3120	1.15	377	96.2	52.588	460	
		1800	447/9TS	35018ET3G449TS-W22	\$36,517	N1	3123	1.15	394	96.2	52.588	460	44
		1800	447/9T	35018ET3G449T-W22	\$36,517	N1	3168	1.15	394	96.2	56.338	460	
		1800	447/9T	35018ET3GRB449T-W22	\$36,517	N1	2941	1.15	394	96.2	56.338	460	14
		1200	L447/9T	35012ET3G449T-W22	\$47,633	N1	3781	1.15	415	95.8	57.181	460	37,43
		1200	L447/9T	35012ET3GRB449T-W22	\$47,633	N1	3800	1.15	415	95.8	57.181	460	14;19;37;43
		900	586/7	35009ET3G586/7-W22	\$64,873	N1	5028	1.00	426	95.8	61.902	460	1,43
400	300	3600	L447/9TS	40036ET3G449TS-W22	\$44,605	N1	3361	1.15	432	95.8	53.431	460	43
		1800	L447/9TS	40018ET3G449TS-W22	\$43,805	N1	3328	1.15	445	96.2	53.431	460	43
		1800	L447/9T	40018ET3G449T-W22	\$43,805	N1	3416	1.15	445	96.2	57.181	460	43
		1800	L447/9T	40018ET3GRB449T-W22	\$43,805	N1	3404	1.15	445	96.2	57.181	460	14,43
		1800	L447/9T	40018ET3H449T-W22	\$43,805	N1	3400	1.15	356	96.2	57.181	575	43
		1200	L447/9T	40012ET3G449T-W22	\$52,307	N1	3720	1.15	477	95.8	57.181	460	19;37;43
		1200	L447/9T	40012ET3GRB449T-W22	\$52,307	N1	3827	1.15	477	95.8	57.181	460	14;19;37;43
		1200	586/7	40012ET3G586/7-W22	\$56,201	N1	4663	1.15	483	96.2	61.902	460	43
		900	588/9	40009ET3G588/9-W22	\$66,123	N1	3308	1.00	498	95.7	69.381	460	1,43
450	330	3600	L447/9TS	45036ET3G449TS-W22	\$49,610	N1	3537	1.00	475	95.8	53.431	460	1,43
		1800	L447/9T	45018ET3G449T-W22	\$48,010	N1	3681	1.15	501	96.2	57.181	460	43
		1800	L447/9T	45018ET3GRB449T-W22	\$48,010	N1	3657	1.15	501	96.2	57.181	460	14,43
		1200	586/7	45012ET3G586/7-W22	\$62,251	N1	4957	1.00	532	96.2	61.902	460	1,43
		1200	586/7	45012ET3GRB586/7-W22	\$62,251	N1	5248	1.00	532	96.2	61.902	460	1;14;43
		900	588/9	45009ET3G588/9-W22	\$68,715	N1	5915	1.00	534	95.8	69.381	460	1,43;44
500	370	3600	586/7S	50036ET3G586/7S-W22	\$56,305	N1	4649	1.15	530	96.2	55.027	460	43;44
		1800	L447/9T	50018ET3G449T-W22	\$50,594	N1	3889	1.00	561	96.2	57.181	460	1,43;44
		1800	L447/9T	50018ET3GRB449T-W22	\$50,594	N1	5424	1.00	561	96.2	57.181	460	14;19;43
		1200	586/7	50012ET3G586/7-W22	\$62,962	N1	4916	1.00	603	96.2	61.902	460	1,43;44
600	450	3600	588/9S	60036ET3G588/9S-W22	\$64,635	N1	5142	1.00	650	96.5	62.506	460	1,43;44
		1800	586/7	60018ET3G586/7-W22	\$60,316	N1	4963	1.00	665	96.5	61.902	460	1,43;44
		1200	588/9	60012ET3G588/9-W22	\$71,374	N1	6168	1.00	743	96.2	69.381	460	1,43;44
650	480	3600	588/9S	65036ET3G588/9S-W22	\$66,835	N1	4805	1.00	685	96.6	62.506	460	1,43;44
		1800	588/9	65018ET3G588/9-W22	\$66,701	N1	5597	1.00	734	96.6	69.381	460	1,43;44
700	515	3600	588/9S	70036ET3G588/9S-W22	\$71,254	N1	5680	1.00	736	96.6	62.506	460	1;19;43;44
		1800	588/9	70018ET3G588/9-W22	\$71,185	N1	5940	1.00	788	96.6	69.381	460	1,43;44
750	550	1800	588/9	75018ET3G588/9-W22	\$74,025	N1	3308	1.00	840	96.7	69.381	460	1,43;44

Three-Phase General Purpose Motors

Please refer to back cover for description of "NOTES"

For detailed specifications, data sheets, drawings and performance curves visit <http://www.weg.net>

Data subject to change without notice.

Can't find what you are looking for? Call 1-800-ASK-4WEG (275-4934)

Three-Phase General Purpose Motors



TEFC - C-Face - Foot Mount

Three-Phase General Purpose Motors

HP	kW	RPM	Frame	Catalog Number	List Price	Mult. Symbol	Approx. Shipping Weight (lbs)	Service Factor	FL Amps @ High	FL. Eff (%)	"C" Dimension (in)	Voltage (V)	Notes
0.25	0.18	3600	56C	.2536ES3E56C-S	\$258	F1	21	1.15	0.50	57.5	11.142	208-230/460	9
		1800	56C	.2518ES3E56C-S	\$270	F1	23	1.15	0.50	70.0	11.142	208-230/460	9
		1800	56C	.2518ES3H56C-S	\$270	F1	23	1.15	0.40	70.0	11.142	575	9
0.33	0.25	3600	56C	.3336ES3E56C-S	\$270	F1	22	1.15	0.60	62.0	11.142	208-230/460	9
		3600	56C	.3336ES3H56C-S	\$270	F1	22	1.15	0.50	62.0	11.142	575	9
		1800	56C	.3318ES3E56C-S	\$274	F1	24	1.15	0.60	74.0	11.535	208-230/460	9
0.5	0.37	3600	56C	.5036ES3H56C-S	\$281	F1	24	1.15	0.70	68.0	11.535	575	9
		1800	56C	.5018ES3E56C-S	\$311	F1	26	1.15	0.90	77.0	11.535	208-230/460	9
		1800	56C	.5018ES3H56C-S	\$263	F1	26	1.15	0.70	77.0	11.535	575	9
0.75	0.55	1200	56C	.5012ES3E56C-S	\$440	F1	31	1.15	1.00	72.0	12.323	208-230/460	9
		3600	56C	.7536ES3E56C-S	\$311	F1	25	1.15	1.10	72.0	11.535	208-230/460	9
		3600	56C	.7536ES3H56C-S	\$310	F1	25	1.15	0.90	72.0	11.535	575	9
		1800	56C	.7518ES3E56C-S	\$332	F1	28	1.15	1.20	78.5	11.929	208-230/460	9
		1800	56C	.7518ES3H56C-S	\$333	F1	28	1.15	1.00	78.5	11.929	575	9
1	0.75	1200	56HC	.7512ES3E56C-S	\$449	F1	34	1.15	1.30	75.5	12.716	208-230/460	9
		3600	W56C	00136ET3EW56C-S	\$420	F1	25	1.15	1.50	78.5	11.106	230/460	9
		3600	W56C	00136ET3HW56C-S	\$420	F1	25	1.15	1.20	78.5	11.106	575	9
		3600	143/5TC	00136ET3E143TC-W22	\$566	N1	47	1.25	1.44	81.5	13.358	230/460	
		1800	56C	00118ET3E56C-S	\$407	F1	41	1.15	1.50	85.5	13.504	230/460	9
		1800	56C	00118ET3H56C-S	\$407	F1	41	1.15	1.20	85.5	13.504	575	9
		1800	143/5TC	00118ET3E143TC-S	\$484	RSP	42	1.15	1.50	85.5	13.583	230/460	9
		1800	143/5TC	00118ET3H143TC-S	\$484	RSP	42	1.15	1.20	85.5	13.583	575	9
		1800	143/5TC	00118ET3E143TC-W22	\$555	N1	50	1.25	1.47	85.5	13.358	230/460	
		1800	143/5TC	00118ET3H143TC-W22	\$555	N1	50	1.25	1.18	85.5	13.358	575	
		1200	56HC	00112ET3E56C-S	\$525	F1	42	1.15	1.60	82.5	13.504	230/460	9
		1200	143/5TC	00112ET3E145TC-S	\$554	RSP	43	1.15	1.60	82.5	13.583	230/460	9
1.5	1.1	1200	143/5TC	00112ET3E145TC-W22	\$636	N1	57	1.25	1.73	82.5	13.358	230/460	
		3600	56C	00156ET3E56C-S	\$461	F1	37	1.15	1.90	84.0	13.109	230/460	9
		3600	56C	00156ET3H56C-S	\$461	F1	37	1.15	1.50	84.0	13.109	575	9
		3600	143/5TC	00156ET3E143TC-S	\$497	RSP	39	1.15	1.90	84.0	13.189	230/460	9
		3600	143/5TC	00156ET3E143TC-W22	\$571	N1	52	1.25	1.96	84.0	13.358	230/460	
		3600	143/5TC	00156ET3H143TC-W22	\$571	N1	51	1.25	1.57	84.0	13.358	575	
		1800	56HC	00158ET3E56C-S	\$463	F1	44	1.15	2.00	86.5	13.504	230/460	9
		1800	56HC	00158ET3H56C-S	\$463	F1	44	1.15	1.60	86.5	13.504	575	9
		1800	143/5TC	00158ET3E145TC-S	\$504	RSP	43	1.15	2.00	86.5	13.583	230/460	9
		1800	143/5TC	00158ET3H145TC-S	\$504	RSP	43	1.15	1.60	86.5	13.583	575	9
		1800	143/5TC	00158ET3E145TC-W22	\$579	N1	56	1.25	2.02	86.5	13.358	230/460	
		1800	143/5TC	00158ET3H145TC-W22	\$579	N1	56	1.25	1.62	86.5	13.358	575	
1200	182/4TC	00152ET3E182TC-S	\$690	RSP	85	1.15	2.20	87.5	16.339	230/460	9		
1200	182/4TC	00152ET3E182TC-W22	\$792	N1	101	1.25	2.54	87.5	15.860	230/460			

continued on next page

Please refer to back cover for description of "NOTES"

For detailed specifications, data sheets, drawings and performance curves visit <http://www.weg.net>



TEFC - C-Face - Foot Mount - *continued*

HP	kW	RPM	Frame	Catalog Number	List Price	Mult. Symbol	Approx. Shipping Weight (lbs)	Service Factor	FL Amps @ High	FL Eff (%)	"C" Dimension (in)	Voltage (V)	Notes
2	1.5	3600	56HC	00236ET3E56C-S	\$517	F1	44	1.15	2.50	85.5	13.898	230/460	9
		3600	56HC	00236ET3H56C-S	\$517	F1	44	1.15	2.00	85.5	13.898	575	9
		3600	143/5TC	00236ET3H145TC-S	\$539	RSP	45	1.15	2.00	85.5	13.976	575	9
		3600	143/5TC	00236ET3E145TC-W22	\$619	N1	56	1.25	2.56	85.5	13.358	230/460	
		3600	143/5TC	00236ET3H145TC-W22	\$619	N1	56	1.25	2.05	85.5	13.358	575	
		1800	56HC	00218ET3E56C-S	\$506	F1	46	1.15	2.70	86.5	13.898	230/460	9
		1800	143/5TC	00218ET3E145TC-S	\$558	RSP	47	1.15	2.70	86.5	13.976	230/460	9
		1800	143/5TC	00218ET3H145TC-S	\$558	RSP	47	1.15	2.20	86.5	13.976	575	9
		1800	143/5TC	00218ET3E145TC-W22	\$640	N1	53	1.25	2.76	86.5	13.358	230/460	
		1800	143/5TC	00218ET3H145TC-W22	\$640	N1	57	1.25	2.21	86.5	13.358	575	
		1200	182/4TC	00212ET3E184TC-S	\$747	RSP	96	1.15	3.00	88.5	17.126	230/460	9
		1200	182/4TC	00212ET3E184TC-W22	\$857	N1	112	1.25	3.22	88.5	15.860	230/460	39
3	2.2	3600	56HC	00336ET3E56C-S	\$606	F1	54	1.15	3.50	86.5	15.079	230/460	9
		3600	56HC	00336ET3H56C-S	\$606	F1	54	1.15	2.80	86.5	15.079	575	9
		3600	143/5TC	00336ET3E145TC-S	\$674	RSP	54	1.15	3.50	86.5	15.157	230/460	9
		3600	182/4TC	00336ET3E182TC-S	\$698	RSP	73	1.15	3.70	86.5	16.339	230/460	9
		3600	182/4TC	00336ET3H182TC-S	\$698	RSP	73	1.15	3.00	86.5	16.339	575	9
		3600	182/4TC	00336ET3E182TC-W22	\$802	N1	103	1.25	3.63	86.5	15.860	230/460	
		3600	182/4TC	00336ET3H182TC-W22	\$802	N1	103	1.25	2.90	86.5	15.860	575	
		1800	182/4TC	00318ET3E182TC-S	\$610	RSP	100	1.15	3.80	89.5	17.913	230/460	9
		1800	182/4TC	00318ET3H182TC-S	\$610	RSP	100	1.15	3.00	89.5	17.913	575	9
		1800	182/4TC	00318ET3E182TC-W22	\$700	N1	96	1.25	3.91	89.5	15.860	230/460	
		1800	182/4TC	00318ET3H182TC-W22	\$700	N1	98	1.25	3.13	89.5	15.860	575	
		1200	213/5TC	00312ET3E213TC-W22	\$1,180	N1	166	1.25	4.41	89.5	19.517	230/460	
900	213/5TC	00309ET3E215TC-W22	\$2,166	N1	192	1.25	4.55	85.5	19.517	230/460			
5	3.7	3600	182/4TC	00536ET3H184TC-S	\$793	RSP	98	1.15	4.70	88.5	17.913	575	9
		3600	182/4TC	00536ET3E184TC-W22	\$911	N1	110	1.25	5.90	88.5	15.860	230/460	
		3600	182/4TC	00536ET3H184TC-W22	\$911	N1	109	1.25	4.72	88.5	15.860	575	
		1800	182/4TC	00518ET3E184TC-S	\$876	RSP	81	1.15	6.50	89.5	17.913	230/460	9
		1800	182/4TC	00518ET3H184TC-S	\$706	RSP	93	1.15	5.20	89.5	17.913	575	9
		1800	182/4TC	00518ET3E184TC-W22	\$810	N1	107	1.25	6.45	89.5	15.860	230/460	
		1800	182/4TC	00518ET3H184TC-W22	\$810	N1	108	1.25	5.16	89.5	15.860	575	
		1200	213/5TC	00512ET3E215TC-W22	\$1,384	N1	183	1.25	6.83	89.5	19.517	230/460	
7.5	5.5	3600	182/4TC	00736ET3E184TC-S	\$985	RSP	101	1.15	8.60	89.5	17.126	230/460	9
		3600	213/5TC	00736ET3H213TC-S	\$1,025	RSP	153	1.15	7.00	89.5	20.079	575	9
		3600	182/4TC	00736ET3E184TC-W22	\$1,112	N1	110	1.25	8.76	89.5	15.860	230/460	
		3600	182/4TC	00736ET3H184TC-W22	\$1,112	N1	109	1.25	7.01	89.5	15.860	575	
		3600	213/5TC	00736ET3E213TC-W22	\$1,177	N1	166	1.25	8.76	89.5	19.517	230/460	
		3600	213/5TC	00736ET3H213TC-W22	\$1,177	N1	166	1.25	7.01	89.5	19.517	575	
		1800	213/5TC	00718ET3E213TC-W22	\$1,141	N1	174	1.25	9.18	91.7	19.517	230/460	
		1800	213/5TC	00718ET3H213TC-W22	\$1,141	N1	178	1.25	7.34	91.7	19.517	575	
		1200	254/6TC	00712ET3E254TC-W22	\$2,134	N1	321	1.25	9.48	91.0	24.945	230/460	
900	254/6TC	00709ET3E256TC-W22	\$3,726	N1	341	1.25	11.1	87.5	24.945	230/460			

continued on next page

Please refer to back cover for description of "NOTES"

For detailed specifications, data sheets, drawings and performance curves visit <http://www.weg.net>

Data subject to change without notice.

Can't find what you are looking for? Call 1-800-ASK-4WEG (275-4934)

TEFC - C-Face - Foot Mount - *continued*

HP	kW	RPM	Frame	Catalog Number	List Price	Mult. Symbol	Approx. Shipping Weight (lbs)	Service Factor	FL Amps @ High	FL Eff (%)	"C" Dimension (in)	Voltage (V)	Notes
10	7.5	3600	213/5TC	01036ET3H215TC-S	\$1,205	RSP	178	1.15	9.20	90.2	21.654	575	9
		3600	213/5TC	01036ET3E215TC-W22	\$1,383	N1	178	1.25	11.6	90.2	19.517	230/460	
		3600	213/5TC	01036ET3H215TC-W22	\$1,383	N1	183	1.25	9.28	90.2	19.517	575	
		1800	213/5TC	01018ET3E215TC-S	\$1,354	RSP	151	1.15	12.2	91.7	19.291	230/460	9
		1800	213/5TC	01018ET3H215TC-S	\$1,154	RSP	151	1.15	9.80	91.7	19.291	575	9
		1800	213/5TC	01018ET3E215TC-W22	\$1,325	N1	183	1.25	12.4	91.7	19.517	230/460	
		1800	213/5TC	01018ET3H215TC-W22	\$1,325	N1	191	1.25	9.92	91.7	19.517	575	
		1200	254/6TC	01012ET3E256TC-W22	\$2,465	N1	329	1.25	12.9	91.0	24.945	230/460	
15	11	3600	213/5TC	01536ET3E215TC-W22	\$1,748	N1	187	1.25	17.0	91.0	19.517	230/460	
		3600	254/6TC	01536ET3H254TC-S	\$1,649	RSP	216	1.15	13.9	91.0	22.559	575	9
		3600	254/6TC	01536ET3E254TC-W22	\$1,893	N1	295	1.25	17.2	91.0	24.945	230/460	
		3600	254/6TC	01536ET3H254TC-W22	\$1,893	N1	302	1.25	13.8	91.0	24.945	575	
		1800	254/6TC	01518ET3H254TC-S	\$1,670	RSP	248	1.15	14.6	92.4	22.559	575	9
		1800	254/6TC	01518ET3E254TC-W22	\$1,917	N1	340	1.25	18.0	92.4	24.945	230/460	
		1800	254/6TC	01518ET3H254TC-W22	\$1,917	N1	351	1.25	14.4	92.4	24.945	575	
		1200	284/6TC	01512ET3E284TC-W22	\$3,388	N1	430	1.25	17.9	91.7	27.929	230/460	
		1200	284/6TC	01512ET3H284TC-W22	\$3,388	N1	428	1.25	14.3	91.7	27.929	575	
20	15	3600	254/6TC	02036ET3H256TC-S	\$2,136	RSP	256	1.15	18.2	91.0	23.346	575	9
		3600	254/6TC	02036ET3E256TC-W22	\$2,451	N1	318	1.25	23.2	91.0	24.945	230/460	
		3600	254/6TC	02036ET3H256TC-W22	\$2,451	N1	327	1.25	18.6	91.0	24.945	575	
		1800	254/6TC	02018ET3H256TC-S	\$1,978	RSP	279	1.15	19.8	93.0	23.346	575	9
		1800	254/6TC	02018ET3E256TC-W22	\$2,270	N1	389	1.25	24.1	93.0	24.945	230/460	
		1800	254/6TC	02018ET3H256TC-W22	\$2,270	N1	401	1.25	19.3	93.0	24.945	575	
		1200	284/6TC	02012ET3E286TC-W22	\$4,060	N1	457	1.25	24.2	91.7	27.929	230/460	
25	18.5	3600	284/6TSC	02536ET3E284TSC-W22	\$3,096	N1	416	1.25	28.5	91.7	26.557	230/460	
		3600	284/6TSC	02536ET3H284TSC-W22	\$3,096	N1	413	1.25	22.8	91.7	26.557	575	
		1800	284/6TC	02518ET3E284TC-W22	\$2,840	N1	418	1.25	29.5	93.6	27.929	230/460	
		1800	284/6TC	02518ET3H284TC-W22	\$2,840	N1	447	1.25	23.6	93.6	27.929	575	
		1200	324/6TC	02512ET3E324TC-W22	\$4,858	N1	601	1.25	30.4	93.0	31.116	230/460	
30	22	3600	284/6TSC	03036ET3E286TSC-W22	\$3,659	N1	433	1.25	33.8	91.7	26.557	230/460	
		3600	284/6TSC	03036ET3H286TSC-W22	\$3,659	N1	433	1.25	27.0	91.7	26.557	575	
		1800	284/6TC	03018ET3E286TC-W22	\$3,321	N1	466	1.25	35.1	93.6	27.929	230/460	
		1800	284/6TC	03018ET3H286TC-W22	\$3,321	N1	484	1.25	28.1	93.6	27.929	575	
		1200	324/6TC	03012ET3E326TC-W22	\$5,394	N1	645	1.25	36.2	93.0	31.116	230/460	
40	30	3600	324/6TSC	04036ET3E324TSC-W22	\$4,845	N1	606	1.25	45.8	92.4	29.616	230/460	
		3600	324/6TSC	04036ET3H324TSC-W22	\$4,845	N1	605	1.25	36.6	92.4	29.616	575	
		1800	324/6TSC	04018ET3E324TSC-W22	\$4,300	N1	629	1.25	47.1	94.1	29.616	230/460	
		1800	324/6TC	04018ET3E324TC-W22	\$4,300	N1	606	1.25	47.1	94.1	31.116	230/460	
		1800	324/6TC	04018ET3H324TC-W22	\$4,300	N1	630	1.25	37.7	94.1	31.116	575	
		1200	364/5TC	04012ET3E364TC-W22	\$7,576	N1	1032	1.25	46.5	94.1	34.251	230/460	
50	37	3600	324/6TSC	05036ET3E326TSC-W22	\$5,437	N1	628	1.25	56.1	93.0	29.616	230/460	
		1800	324/6TSC	05018ET3E326TSC-W22	\$5,221	N1	614	1.25	59.2	94.5	29.616	230/460	
		1800	324/6TC	05018ET3E326TC-W22	\$5,221	N1	625	1.25	59.2	94.5	31.116	230/460	
		1800	324/6TC	05018ET3H326TC-W22	\$5,221	N1	651	1.25	47.4	94.5	31.116	575	
		1200	364/5TC	05012ET3E365TC-W22	\$8,960	N1	1048	1.25	57.4	94.1	34.251	230/460	

continued on next page

Please refer to back cover for description of "NOTES"

For detailed specifications, data sheets, drawings and performance curves visit <http://www.weg.net>



TEFC - C-Face - Foot Mount - *continued*

HP	kW	RPM	Frame	Catalog Number	List Price	Mult. Symbol	Approx. Shipping Weight (lbs)	Service Factor	FL Amps @ High	FL. Eff (%)	"C" Dimension (in)	Voltage (V)	Notes
60	45	3600	364/5TSC	06036ET3E364TSC-W22	\$7,994	N1	990	1.25	67.0	93.6	32.338	230/460	
		3600	364/5TSC	06036ET3H364TSC-W22	\$7,994	N1	992	1.25	53.6	93.6	32.338	575	
		1800	364/5TC	06018ET3E364TC-W22	\$7,831	N1	961	1.25	68.3	95.0	34.251	230/460	
		1800	364/5TC	06018ET3H364TC-W22	\$7,831	N1	1060	1.25	54.6	95.0	34.251	575	
75	55	3600	364/5TSC	07536ET3E365TSC-W22	\$9,533	N1	993	1.25	81.9	93.6	32.338	230/460	
		1800	364/5TC	07518ET3E365TC-W22	\$9,148	N1	1024	1.25	84.1	95.4	34.251	230/460	
		1800	364/5TC	07518ET3H365TC-W22	\$9,148	N1	1075	1.25	67.3	95.4	34.251	575	
		1200	404/5TC	07512ET3H405TC-W22	\$12,549	N1	1337	1.25	67.9	94.5	39.730	575	
100	75	1800	404/5TSC	10018ET3E405TSC-W22	\$12,179	N1	1256	1.25	111	95.4	36.732	230/460	
		1800	404/5TC	10018ET3E405TC-W22	\$12,179	N1	1256	1.25	111	95.4	39.730	230/460	
		1800	404/5TC	10018ET3H405TC-W22	\$12,179	N1	1318	1.25	88.8	95.4	39.730	575	
125	90	1800	444/5TSC	12518ET3G444TSC-W22	\$16,218	N1	1759	1.15	139	95.4	41.407	460	
		1800	444/5TC	12518ET3E444TC-W22	\$16,218	N1	1887	1.15	139	95.4	45.157	230/460	
		1800	444/5TC	12518ET3G444TC-W22	\$16,218	N1	1851	1.15	139	95.4	45.157	460	
		1800	444/5TC	12518ET3H444TC-W22	\$16,218	N1	1851	1.15	111	95.4	45.157	575	
150	110	1800	444/5TC	15018ET3E445TC-W22	\$18,025	N1	1919	1.15	170	95.8	45.157	230/460	
		1800	444/5TC	15018ET3G445TC-W22	\$18,025	N1	1997	1.15	170	95.8	45.157	460	
200	150	1800	445/7TC	20018ET3G447TC-W22	\$21,704	N1	2523	1.15	230	96.2	48.701	460	
250	185	1800	445/7TSC	25018ET3G447TSC-W22	\$34,280	N1	2361	1.15	281	96.2	44.951	460	
300	220	1800	447/9TC	30018ET3G449TC-W22	\$31,990	N1	3069	1.15	330	96.2	56.338	460	

Please refer to back cover for description of "NOTES"

For detailed specifications, data sheets, drawings and performance curves visit <http://www.weg.net>

Data subject to change without notice.

Can't find what you are looking for? Call 1-800-ASK-4WEG (275-4934)



TEFC - C-Face - Footless

Three-Phase
General Purpose
Motors

HP	kW	RPM	Frame	Catalog Number	List Price	Mult. Symbol	Approx. Shipping Weight (lbs)	Service Factor	FL Amps @ High	FL Eff (%)	"C" Dimension (in)	Voltage (V)	Notes
0.33	0.25	3600	56C	.3336ES3E56CFL-S	\$270	F1	22	1.15	0.60	62.0	11.142	208-230/460	9;20
		3600	56C	.3336ES3H56CFL-S	\$270	F1	22	1.15	0.50	62.0	11.142	575	9;20
		1800	56C	.3318ES3E56CFL-S	\$274	F1	24	1.15	0.60	74.0	11.535	208-230/460	9;20
0.5	0.37	1800	56C	.5018ES3E56CFL-S	\$311	F1	26	1.15	0.90	77.0	11.535	208-230/460	9;20
		1800	56C	.5018ES3H56CFL-S	\$281	F1	26	1.15	0.70	77.0	11.535	575	9;20
0.75	0.55	3600	56C	.7536ES3E56CFL-S	\$311	F1	25	1.15	1.10	72.0	11.535	208-230/460	9;20
		3600	56C	.7536ES3H56CFL-S	\$310	F1	25	1.15	0.90	72.0	11.535	575	9;20
		1800	56C	.7518ES3E56CFL-S	\$332	F1	28	1.15	1.20	78.5	11.929	208-230/460	9;20
		1800	56C	.7518ES3H56CFL-S	\$333	F1	28	1.15	1.00	78.5	11.929	575	9;20
		1200	56C	.7512ES3E56CFL-S	\$449	F1	34	1.15	1.30	75.5	12.716	208-230/460	9;20
		1200	56C	.7512ES3H56CFL-S	\$448	F1	34	1.15	1.10	75.5	12.716	575	9;20
1	0.75	3600	W56C	00136ET3EW56CFL-S	\$420	F1	25	1.15	1.50	78.5	11.106	230/460	9;20
		3600	143TC	00136ET3ER143TC-W22	\$577	N1	44	1.25	1.44	81.5	13.065	230/460	15
		1800	56C	00118ET3E56CFL-S	\$407	F1	41	1.15	1.50	85.5	13.504	230/460	9;20
		1800	56C	00118ET3H56CFL-S	\$407	F1	41	1.15	1.20	85.5	13.504	575	9;20
		1800	143/5TC	00118ET3ER143TC-S	\$484	RSP	42	1.15	1.50	85.5	13.583	230/460	9;15
		1800	143TC	00118ET3ER143TC-W22	\$572	N1	47	1.25	1.47	85.5	13.065	230/460	15
		1200	56C	00112ET3E56CFL-S	\$528	F1	42	1.15	1.60	82.5	13.504	230/460	9;20
		1200	56C	00112ET3H56CFL-S	\$528	F1	42	1.15	1.30	82.5	13.504	575	9;20
		1200	143/5TC	00112ET3ER145TC-S	\$554	RSP	43	1.15	1.60	82.5	13.583	230/460	9;15
1.5	1.1	1200	145TC	00112ET3ER145TC-W22	\$655	N1	56	1.25	1.73	82.5	16.197	230/460	15
		3600	56C	00156ET3E56CFL-S	\$461	F1	37	1.15	1.90	84.0	13.109	230/460	9;20
		3600	143/5TC	00156ET3ER143TC-S	\$497	RSP	39	1.15	1.90	84.0	13.189	230/460	9;15
		3600	143TC	00156ET3ER143TC-W22	\$588	N1	48	1.25	1.96	84.0	13.065	230/460	15
		1800	56C	00158ET3E56CFL-S	\$463	F1	44	1.15	2.00	86.5	13.504	230/460	9;20
		1800	143/5TC	00158ET3ER145TC-S	\$504	RSP	43	1.15	2.00	86.5	13.583	230/460	9;15
		1800	145TC	00158ET3ER145TC-W22	\$596	N1	55	1.25	2.02	86.5	14.077	230/460	15
		1200	182/4TC	00152ET3ER182TC-S	\$690	RSP	90	1.15	2.20	87.5	16.339	230/460	9;15
1200	182TC	00152ET3ER182TC-W22	\$816	N1	100	1.25	2.54	87.5	16.197	230/460	15;39		
2	1.5	3600	56C	00236ET3E56CFL-S	\$517	F1	44	1.15	2.50	85.5	13.898	230/460	9;20
		3600	143/5TC	00236ET3ER145TC-S	\$539	RSP	45	1.15	2.50	85.5	13.976	230/460	9;15
		3600	145TC	00236ET3ER145TC-W22	\$638	N1	55	1.25	2.56	85.5	14.077	230/460	15
		1800	56C	00218ET3E56CFL-S	\$506	F1	46	1.15	2.70	86.5	13.898	230/460	9;20
		1800	143/5TC	00218ET3ER145TC-S	\$558	RSP	47	1.15	2.70	86.5	13.976	230/460	9;15
		1800	145TC	00218ET3ER145TC-W22	\$659	N1	56	1.25	2.76	86.5	14.077	230/460	15
		1200	182/4TC	00212ET3ER184TC-S	\$747	RSP	98	1.15	3.00	88.5	17.126	230/460	9;15
		1200	184TC	00212ET3ER184TC-W22	\$883	N1	110	1.25	3.22	88.5	17.197	230/460	15;39

continued on next page

Refer to electrical and mechanical data sections for additional technical information. Please refer to back cover for description of "NOTES"

For detailed specifications, data sheets, drawings and performance curves visit <http://www.weg.net>



TEFC - C-Face - Footless - continued

HP	kW	RPM	Frame	Catalog Number	List Price	Mult. Symbol	Approx. Shipping Weight (lbs)	Service Factor	FL Amps @ High	FL Eff (%)	"C" Dimension (in)	Voltage (V)	Notes
3	2.2	3600	56C	00336ET3E56CFL-S	\$606	F1	54	1.15	3.50	86.5	15.079	230/460	9;20
		3600	56C	00336ET3H56CFL-S	\$606	F1	54	1.15	2.80	86.5	15.079	575	9;20
		3600	145TC	00336ET3ER145TC-W22	\$677	N1	58	1.25	3.71	86.5	14.077	230/460	15
		3600	182/4TC	00336ET3ER182TC-S	\$698	RSP	73	1.15	3.70	86.5	16.339	230/460	9;15
		3600	182TC	00336ET3ER182TC-W22	\$826	N1	108	1.25	3.63	86.5	16.197	230/460	15;39
		1800	182/4TC	00318ET3ER182TC-S	\$610	RSP	100	1.15	3.80	89.5	17.913	230/460	9;15
		1800	182TC	00318ET3ER182TC-W22	\$721	N1	104	1.25	3.91	89.5	16.197	230/460	15;39
		1200	213/5TC	00312ET3ER213TC-S	\$1,028	RSP	148	1.15	4.20	89.5	19.291	230/460	9;15
		1200	213TC	00312ET3ER213TC-W22	\$1,203	N1	154	1.25	4.41	89.5	19.399	230/460	15
5	3.7	3600	182/4TC	00536ET3ER184TC-S	\$793	RSP	98	1.15	5.90	88.5	17.913	230/460	9;15
		3600	184TC	00536ET3ER184TC-W22	\$938	N1	115	1.25	5.90	88.5	17.197	230/460	15
		1800	182/4TC	00518ET3ER184TC-S	\$706	RSP	93	1.15	6.50	89.5	17.913	230/460	9;15
		1800	184TC	00518ET3ER184TC-W22	\$834	N1	113	1.25	6.45	89.5	17.197	230/460	15
		1200	213/5TC	00512ET3ER215TC-S	\$1,206	RSP	162	1.15	6.70	89.5	20.079	230/460	9;15
		1200	215TC	00512ET3ER215TC-W22	\$1,426	N1	178	1.25	6.83	89.5	20.895	230/460	15
7.5	5.5	3600	213/5TC	00736ET3ER213TC-S	\$1,025	RSP	153	1.15	8.70	89.5	20.079	230/460	9;15
		3600	213TC	00736ET3ER213TC-W22	\$1,212	N1	155	1.25	8.76	89.5	19.399	230/460	15
		1800	213/5TC	00718ET3ER213TC-S	\$994	RSP	140	1.15	9.10	91.7	18.898	230/460	9;15
		1800	213TC	00718ET3ER213TC-W22	\$1,175	N1	167	1.25	9.18	91.7	19.399	230/460	15
		1200	254/6TC	00712ET3ER254TC-S	\$1,859	RSP	257	1.15	10.0	91.0	22.559	230/460	9;15
10	7.5	3600	213/5TC	01036ET3ER215TC-S	\$1,205	RSP	178	1.15	11.5	90.2	21.654	230/460	9;15
		3600	215TC	01036ET3ER215TC-W22	\$1,424	N1	179	1.25	11.6	90.2	20.895	230/460	15
		1800	213/5TC	01018ET3ER215TC-S	\$1,154	RSP	151	1.15	12.2	91.7	19.291	230/460	9;15
		1800	215TC	01018ET3ER215TC-W22	\$1,366	N1	187	1.25	12.4	91.7	20.895	230/460	15
		1800	213/5TC	01018ET3HR215TC-S	\$1,154	RSP	151	1.15	9.80	91.7	19.291	575	9;15
		1200	254/6TC	01012ET3ER256TC-S	\$2,148	RSP	286	1.15	13.8	91.0	23.346	230/460	9;15
15	11	3600	254/6TC	01536ET3ER254TC-S	\$1,649	RSP	216	1.15	17.4	91.0	22.559	230/460	9;15
		3600	254TC	01536ET3ER254TC-W22	\$1,950	N1	300	1.25	17.2	91.0	25.063	230/460	15
		1800	254/6TC	01518ET3ER254TC-S	\$1,670	RSP	248	1.15	18.2	92.4	22.559	230/460	9;15
		1800	254TC	01518ET3ER254TC-W22	\$1,975	N1	348	1.25	18.0	92.4	25.063	230/460	15
		1800	254/6TC	01518ET3HR254TC-S	\$1,670	RSP	248	1.15	14.6	92.4	22.559	575	9;15
20	15	3600	254/6TC	02036ET3ER256TC-S	\$2,136	RSP	256	1.15	22.7	91.0	23.346	230/460	9;15
		3600	256TC	02036ET3ER256TC-W22	\$2,525	N1	335	1.25	23.2	91.0	26.795	230/460	15
		1800	254/6TC	02018ET3ER256TC-S	\$1,978	RSP	279	1.15	24.7	93.0	23.346	230/460	9;15
		1800	256TC	02018ET3ER256TC-W22	\$2,338	N1	407	1.25	24.1	93.0	26.795	230/460	15
25	18.5	3600	284TSC	02536ET3ER284TSC-W22	\$3,187	N1	406	1.25	28.5	91.7	27.305	230/460	15
		1800	284TC	02518ET3ER284TC-W22	\$2,925	N1	441	1.25	29.5	93.6	28.677	230/460	15
30	22	3600	286TSC	03036ET3ER286TSC-W22	\$3,767	N1	436	1.25	33.8	91.7	28.801	230/460	15
		1800	286TC	03018ET3ER286TC-W22	\$3,421	N1	489	1.25	35.1	93.6	30.173	230/460	15
		1200	326TSC	03012ET3ER326TSC-W22	\$5,768	N1	732	1.25	36.2	93.0	32.254	230/460	15
40	30	3600	324TSC	04036ET3ER324TSC-W22	\$4,988	N1	684	1.25	45.8	92.4	30.758	230/460	15
		1800	324TC	04018ET3ER324TC-W22	\$4,429	N1	613	1.25	47.1	94.1	32.258	230/460	15
50	37	1800	326TC	05018ET3ER326TC-W22	\$5,378	N1	648	1.25	59.2	94.5	33.754	230/460	15
60	45	1800	364/5TC	06018ET3ER364TC-W22	\$8,053	N1	869	1.25	68.3	95.0	37.440	230/460	15
75	55	1800	364/5TC	07518ET3ER365TC-W22	\$9,408	N1	1256	1.25	84.1	95.4	37.440	230/460	15

Refer to electrical and mechanical data sections for additional technical information. Please refer to back cover for description of "NOTES"

For detailed specifications, data sheets, drawings and performance curves visit <http://www.weg.net>

Data subject to change without notice.

Can't find what you are looking for? Call 1-800-ASK-4WEG (275-4934)

Three-Phase General Purpose Motors

ODP CAST IRON

WEG Open Drip Proof (ODP) motor is a general purpose line designed for environments where dirt and moisture are minimal. The ODP cast iron frame is designed to provide maximum ventilation and heat dissipation, offering low vibration levels, high mechanical stiffness and durability. Widely used in applications such as compressors, pumps and chillers, the ODP motor line meets or exceeds the efficiency levels determined by International Standards and the minimum efficiency level programs in force worldwide.

Standard Features

- Rated output: NEMA (60 Hz) - 15 to 2,500 HP
- Number of poles: 2 through 6
- Frame sizes NEMA 254T to L6808/09
- Frequency: 50 or 60 Hz
- Voltage: 208 to 4,160 V
- Degree of protection ODP (IP23) for frames 256T to L5810 WPI (IP24) for frame size L6808/09
- Efficiency levels: NEMA Premium® Efficiency (60Hz)
- Color: RAL 5009
- Cooling method: IC-01 according to DIN EN 60034-6
- Mounting: F-1
- Frame, end-shields and terminal box material: FC 200 cast iron
- Flying leads for motor connection
- PT100 3 wires - one per phase for frame size 5010/11 up to L6808/09 - Voltage 1.2kV and above

Optional Features

- Voltage: 5,000 to 6,600 V
- Accessories terminal box (standard for medium and high voltage motors)
- Thermal protections: Thermostats or RTD's (Pt-100) on windings or bearings
- Space heaters
- Cable glands
- Roller bearings



Features that make a difference:

- 50/60 Hz rated up to 250 HP (Same Horse Power at 50 Hz with a 1.0 Service Factor)
- Class F insulation (Impregnation Resin and Magnet wire are class H)
- Class B Rise at 1.15 Service Factor
- F1 Mounted (Cast Iron Frame motors are F2 convertible)
- Stainless Steel Nameplate - Laser etched with high contrast background (Cast Iron Frames only)
- Cast Iron Frames: Regreasable ball bearings (Frames 254T and up)

Inverter Rated:

1000:1 for variable torque

4:1 for constant torque

** Frame 404/5T 150HP and up 2:1CT and 1000:1VT*

ADDITIONAL TECHNICAL DATA

ELECTRICAL DATA: B-16

MECHANICAL DATA: B-74



Three-Phase General Purpose Motors

ODP ROLLED STEEL

Standard Features:

- Rated Output: 0.25 to 25 HP
- Number of Poles: 2 through 6
- Class F insulation
- Frame Sizes: NEMA 56 to 254/6T
- Efficiency levels: NEMA Premium®
- Frequency: 60 Hz (dual rated 50 Hz 190-220/380-415V)
- IP21 standard
- F1 mount as standard
- Foot mount / C-face / Footless availability
- Enclosure: ODP
- Aluminum endshields
- Cast Iron flanges for improved strength (182/4TC and larger)
- Internal bolts, giving a clean surface to the motor, avoiding trapping materials and allowing easy paint job after assembly to the load if required
- Double shielded ball bearings on frames 56 to 213/5T. Optional double sealed ball bearings and/or bearing cap
- Versions: General Purpose, Jet Pump, Close-coupled Pump type “JM” and “JP” and Compressor Duty

Optional Features:

- F2 and Build Option F3 mount
- Build Option Enclosure: ODPAO
- Regreasable bearings optional on 182/4T and 213/5T
- Double sealed ball bearings and/or bearing cap
- Drip cover
- Internal AEGIS® SGR
- Space heaters and thermal protection (thermostats or thermistors)
- Refer to the mod section for more options



Three-Phase
General Purpose
Motors

Features that make a difference:

- New ventilation system for improved thermal performance
- Robust feet design suitable for tougher applications
- New and more robust eyebolts design (frames 182/4T and up) plus a second eyebolt on non-drive end allowing vertical lifting capability (frames 213/5T and 254/6T)
- Oversized diagonally split aluminum terminal box that exceeds IP55 requirements
- Terminal box rotatable in 90 degree increments for flexibility during installation
- Option for internal AEGIS® SGR
- Color coded leads as standard for easy wiring
- Regreasable ball bearings on 254/6T frame as standard (optional for 182/4T and 213/5T)
- Bearing cap as standard on flanged motors, optional on non flanged
- Suitable for VFD operation as per NEMA MG1 part 31.4.4.2
- Motor frame painting system 500 hours salt spray resistant

ADDITIONAL TECHNICAL DATA

ELECTRICAL DATA: B-16

MECHANICAL DATA: B-73





ODP - Foot Mount

Three-Phase
General Purpose
Motors

HP	kW	RPM	Frame	Catalog Number	List Price	Mult. Symbol	Approx. Shipping Weight (lbs)	Service Factor	FL Amps @ High	FL. Eff (%)	"C" Dimension (in)	Voltage (V)	Notes
0.25	0.18	3600	56	.25360T3E56-S	\$231	F2B	19	1.35	0.46	65.6	10.315	230/460	9
		1800	48	.25180T3E48-S	\$235	F2B	18	1.35	0.48	70.0	9.492	230/460	9
		1800	56	.25180T3E56-S	\$235	F2B	19	1.35	0.53	69.5	9.921	230/460	9
		1200	56	.25120T3E56-S	\$288	F2B	21	1.35	0.55	67.5	10.315	230/460	9
0.33	0.25	3600	56	.33360T3E56-S	\$242	F2B	19	1.35	0.61	69.5	10.315	230/460	9
		1800	56	.33180T3E56-S	\$256	F2B	20	1.35	0.67	73.4	10.315	230/460	9
		1800	56	.33180T3H56-S	\$269	F2B	20	1.35	0.54	73.4	10.315	575	9
		1200	56	.33120T3E56-S	\$333	F2B	22	1.35	0.70	71.4	10.315	230/460	9
0.5	0.37	3600	56	.50360T3E56-S	\$258	F2B	20	1.25	0.81	73.4	10.315	230/460	9
		1800	56	.50180T3E56-S	\$296	F2B	24	1.25	0.86	78.2	10.709	230/460	9
		1800	56	.50180T3H56-S	\$311	F2B	24	1.25	0.69	78.2	10.709	575	9
		1200	56	.50120T3E56-S	\$349	F2B	25	1.25	0.93	75.3	10.709	230/460	9
0.75	0.55	3600	56	.75360T3E56-S	\$305	F2B	22	1.25	1.14	76.8	10.709	230/460	9
		1800	56	.75180T3E56-S	\$330	F2B	27	1.25	1.15	81.1	11.102	230/460	9
		1800	56	.75180T3H56-S	\$347	F2B	27	1.25	0.92	81.1	11.102	575	9
		1200	56H	.75120T3E56-S	\$384	F2B	38	1.15	1.26	81.7	12.677	230/460	9
1	0.75	3600	56	001360T3E56-S	\$355	F2B	23	1.25	1.51	77.0	10.709	230/460	9
		3600	143/5T	001360T3E143T-S	\$385	N1S	29	1.15	1.40	80.0	11.181	230/460	9
		1800	56	001180T3E56-S	\$350	F2B	30	1.15	1.57	83.5	11.495	230/460	9
		1800	143/5T	001180T3E143T-S	\$390	N1S	38	1.15	1.50	85.5	11.181	230/460	9
		1800	143/5T	001180T3H143T-S	\$390	N1S	38	1.15	1.20	85.5	11.181	575	9
		1800	143/5T	001180T3P143T-S	\$390	N1S	38	1.15	3.50	85.5	11.181	200	9
		1200	56H	001120T3E56-S	\$458	F2B	42	1.15	1.68	82.5	13.070	230/460	9
		1200	143/5T	001120T3E145T-S	\$446	N1S	38	1.15	1.70	82.5	11.181	230/460	9
1.5	1.1	1200	143/5T	001120T3H145T-S	\$446	N1S	38	1.15	1.30	82.5	11.181	575	9
		3600	56	001560T3E56-S	\$380	F2B	30	1.15	1.85	84.0	11.889	230/460	9
		3600	143/5T	001560T3E143T-S	\$442	N1S	33	1.15	1.90	84.0	11.181	230/460	9
		3600	143/5T	001560T3H143T-S	\$442	N1S	33	1.15	1.50	84.0	11.181	575	9
		1800	56H	001580T3E56-S	\$361	F2B	40	1.15	2.10	86.5	12.677	230/460	9
		1800	143/5T	001580T3E145T-S	\$449	N1S	45	1.15	2.10	86.5	12.362	230/460	9
		1800	143/5T	001580T3H145T-S	\$449	N1S	45	1.15	1.70	86.5	12.362	575	9
		1800	143/5T	001580T3P145T-S	\$449	N1S	45	1.15	4.80	86.5	12.362	200	9
2	1.5	1200	182/4T	001520T3E182T-S	\$588	N1S	63	1.15	2.30	86.5	13.976	230/460	9
		3600	56H	002360T3E56-S	\$436	F2B	38	1.15	2.42	85.5	12.677	230/460	9
		3600	143/5T	002360T3E145T-S	\$487	N1S	40	1.15	2.40	85.5	11.969	230/460	9
		3600	143/5T	002360T3H145T-S	\$487	N1S	40	1.15	1.90	85.5	11.969	575	9
		1800	56H	002180T3E56-S	\$371	F2B	40	1.15	2.69	86.5	12.677	230/460	9
		1800	143/5T	002180T3E145T-S	\$492	N1S	43	1.15	2.70	86.5	12.362	230/460	9
		1800	143/5T	002180T3H145T-S	\$492	N1S	43	1.15	2.20	86.5	12.362	575	9
		1800	143/5T	002180T3P145T-S	\$492	N1S	43	1.15	6.20	86.5	12.362	200	9
2	1.5	1200	182/4T	002120T3E184T-S	\$597	N1S	73	1.15	3.00	87.5	14.764	230/460	9
		1200	182/4T	002120T3H184T-S	\$597	N1S	73	1.15	2.40	87.5	14.764	575	9

continued on next page

Please refer to back cover for description of "NOTES"

For detailed specifications, data sheets, drawings and performance curves visit <http://www.weg.net>



ODP - Foot Mount - continued

Three-Phase
General Purpose
Motors

HP	kW	RPM	Frame	Catalog Number	List Price	Mult. Symbol	Approx. Shipping Weight (lbs)	Service Factor	FL Amps @ High	FL. Eff (%)	"C" Dimension (in)	Voltage (V)	Notes
3	2.2	3600	56H	003360T3E56-S	\$485	F2B	42	1.15	3.59	85.5	13.070	230/460	9
		3600	143/5T	003360T3E145T-S	\$545	N1S	43	1.15	3.60	85.5	12.362	230/460	9
		3600	143/5T	003360T3H145T-S	\$545	N1S	43	1.15	2.90	85.5	12.362	575	9
		1800	56HZ	003180T3E56Z-S	\$481	F2B	48	1.15	3.97	86.9	13.071	230/460	9
		1800	182/4T	003180T3E182T-S	\$524	N1S	73	1.15	3.90	89.5	15.157	230/460	9
		1800	182/4T	003180T3H182T-S	\$524	N1S	73	1.15	3.10	89.5	15.157	575	9
		1800	182/4T	003180T3P182T-S	\$524	N1S	73	1.15	8.90	89.5	15.157	200	9
		1800	182/4T	003180T3V182T-S	\$524	N1S	72	1.15	4.40	89.5	15.157	200/400	9
		1200	213/5T	003120T3E213T-S	\$775	N1S	113	1.15	4.20	88.5	16.575	230/460	9
		1200	213/5T	003120T3H213T-S	\$775	N1S	113	1.15	3.30	88.5	16.575	575	9
5	3.7	3600	182/4T	005360T3E182T-S	\$651	N1S	61	1.15	6.10	86.5	14.764	230/460	9
		3600	182/4T	005360T3H182T-S	\$651	N1S	61	1.15	4.90	86.5	14.764	575	9
		3600	182/4T	005360T3V182T-S	\$651	N1S	61	1.15	7.00	86.5	14.764	200/400	9
		1800	182/4T	005180T3E184T-S	\$630	N1S	88	1.15	6.30	89.5	16.339	230/460	9
		1800	182/4T	005180T3H184T-S	\$630	N1S	88	1.15	5.10	89.5	16.339	575	9
		1800	182/4T	005180T3P184T-S	\$630	N1S	88	1.15	14.6	89.5	16.339	200	9
		1800	182/4T	005180T3V184T-S	\$630	N1S	88	1.15	7.30	89.5	16.339	200/400	9
		1200	213/5T	005120T3E215T-S	\$1,057	N1S	135	1.15	6.70	89.5	16.969	230/460	9
		1200	213/5T	005120T3H215T-S	\$1,057	N1S	135	1.15	5.40	89.5	16.969	575	9
7.5	5.5	3600	182/4T	007360T3E184T-S	\$920	N1S	76	1.15	8.70	88.5	15.157	230/460	9
		3600	182/4T	007360T3H184T-S	\$920	N1S	76	1.15	6.90	88.5	15.157	575	9
		1800	213/5T	007180T3E213T-S	\$910	N1S	125	1.15	9.30	91.0	16.575	230/460	9
		1800	213/5T	007180T3H213T-S	\$910	N1S	125	1.15	7.40	91.0	16.575	575	9
		1800	213/5T	007180T3P213T-S	\$910	N1S	125	1.15	21.3	91.0	16.575	200	9
		1200	254/6T	007120T3E254T-S	\$1,467	N1S	209	1.15	10.2	90.2	20.472	230/460	9
		1200	254/6T	007120T3H254T-S	\$1,467	N1S	209	1.15	8.20	90.2	20.472	575	9
		1200	254T	007120T3E254T	\$1,467	N1B	249	1.15	9.69	90.2	20.669	230/460	
10	7.5	3600	213/5T	010360T3E213T-S	\$1,081	N1S	126	1.15	12.0	89.5	16.969	230/460	9
		3600	213/5T	010360T3H213T-S	\$1,081	N1S	126	1.15	9.60	89.5	16.969	575	9
		1800	213/5T	010180T3E215T-S	\$1,102	N1S	130	1.15	12.4	91.7	16.575	230/460	9
		1800	213/5T	010180T3H215T-S	\$1,102	N1S	130	1.15	9.90	91.7	16.575	575	9
		1800	213/5T	010180T3P215T-S	\$1,102	N1S	130	1.15	28.5	91.7	16.575	200	9
		1200	254/6T	010120T3E256T-S	\$1,717	N1S	237	1.15	13.9	91.7	20.472	230/460	9
		1200	254/6T	010120T3H256T-S	\$1,717	N1S	237	1.15	11.1	91.7	20.472	575	9
		1200	256T	010120T3E256T	\$1,717	N1B	282	1.15	12.8	91.7	22.401	230/460	
15	11	3600	213/5T	015360T3E215T-S	\$1,492	N1S	141	1.15	17.2	90.2	17.756	230/460	9
		3600	213/5T	015360T3H215T-S	\$1,492	N1S	141	1.15	13.8	90.2	17.756	575	9
		1800	254/6T	015180T3E254T-S	\$1,477	N1S	211	1.15	18.6	93.0	20.472	230/460	9
		1800	254/6T	015180T3H254T-S	\$1,477	N1S	211	1.15	14.9	93.0	20.472	575	9
		1800	254/6T	015180T3P254T-S	\$1,477	N1S	211	1.15	42.8	93.0	20.472	200	9
		1800	254/6T	015180T3V254T-S	\$1,477	N1S	211	1.15	21.4	93.0	20.472	200/400	9
		1800	254T	015180T3E254T	\$1,477	N1B	278	1.15	18.6	93.0	20.669	230/460	
		1800	254T	015180T3H254T	\$1,477	N1B	263	1.15	14.9	93.0	20.669	575	
		1800	254T	015180T3P254T	\$1,477	N1B	264	1.15	42.8	93.0	20.669	200	
		1200	284T	015120T3E284T	\$2,412	N1B	366	1.15	17.7	91.7	23.386	230/460	
		1200	284T	015120T3H284T	\$2,412	N1B	365	1.15	14.2	91.7	23.386	575	

continued on next page

Please refer to back cover for description of "NOTES"

For detailed specifications, data sheets, drawings and performance curves visit <http://www.weg.net>

Data subject to change without notice.

Can't find what you are looking for? Call 1-800-ASK-4WEG (275-4934)

ODP - Foot Mount - *continued*

Three-Phase
General Purpose
Motors

HP	kW	RPM	Frame	Catalog Number	List Price	Mult. Symbol	Approx. Shipping Weight (lbs)	Service Factor	FL Amps @ High	FL. Eff (%)	"C" Dimension (in)	Voltage (V)	Notes
20	15	3600	254/6T	020360T3E254T-S	\$1,760	N1S	187	1.15	23.8	91.0	20.472	230/460	9
		3600	254/6T	020360T3H254T-S	\$1,760	N1S	187	1.15	19.0	91.0	20.472	575	9
		3600	254T	020360T3E254T	\$1,760	N1B	222	1.15	24.6	91.0	20.669	230/460	
		3600	254T	020360T3H254T	\$1,760	N1B	221	1.15	19.7	91.0	20.669	575	
		1800	254/6T	020180T3E256T-S	\$1,832	N1S	235	1.15	25.0	93.0	20.472	230/460	9
		1800	254/6T	020180T3H256T-S	\$1,832	N1S	235	1.15	20.0	93.0	20.472	575	9
		1800	254/6T	020180T3P256T-S	\$1,832	N1S	235	1.15	57.5	93.0	20.472	200	9
		1800	254/6T	020180T3V256T-S	\$1,832	N1S	235	1.15	28.8	93.0	20.472	200/400	9
		1800	256T	020180T3E256T	\$1,832	N1B	292	1.15	24.7	93.0	22.401	230/460	
		1800	256T	020180T3H256T	\$1,832	N1B	300	1.15	19.8	93.0	22.401	575	
		1800	256T	020180T3P256T	\$1,832	N1B	301	1.15	56.8	93.0	22.401	200	
		1200	286T	020120T3E286T	\$3,034	N1B	415	1.15	24.0	92.4	24.882	230/460	
		1200	286T	020120T3H286T	\$3,034	N1B	414	1.15	19.2	92.4	24.882	575	
		25	18.5	3600	254/6T	025360T3E256T-S	\$2,139	N1S	202	1.15	29.1	91.7	20.472
3600	254/6T			025360T3H256T-S	\$2,139	N1S	202	1.15	23.3	91.7	20.472	575	9
3600	256T			025360T3E256T	\$2,139	N1B	263	1.15	29.8	91.7	22.401	230/460	
3600	256T			025360T3H256T	\$2,139	N1B	263	1.15	23.8	91.7	22.401	575	
1800	284TS			025180T3E284TS	\$2,160	N1B	378	1.15	29.9	93.6	22.000	230/460	
1800	284TS			025180T3H284TS	\$2,159	N1B	377	1.15	23.9	93.6	22.000	575	
1800	284T			025180T3E284T	\$2,160	N1B	372	1.15	29.9	93.6	23.386	230/460	
1800	284T			025180T3H284T	\$2,160	N1B	379	1.15	23.9	93.6	23.386	575	
1800	284T			025180T3P284T	\$2,159	N1B	380	1.15	68.8	93.6	23.386	200	
1200	324T			025120T3E324T	\$3,519	N1B	505	1.15	30.4	93.0	26.181	230/460	
30	22			3600	284TS	030360T3E284TS	\$2,487	N1B	351	1.15	34.7	92.4	22.000
		3600	284TS	030360T3H284TS	\$2,487	N1B	350	1.15	27.8	92.4	22.000	575	
		3600	284TS	030360T3V284TS	\$2,487	N1B	351	1.15	39.9	92.4	22.000	200/400	
		1800	286TS	030180T3E286TS	\$2,530	N1B	432	1.15	35.4	94.1	23.504	230/460	
		1800	286TS	030180T3H286TS	\$2,530	N1B	429	1.15	28.3	94.1	23.504	575	
		1800	286TS	030180T3V286TS	\$2,590	N1B	432	1.15	40.7	94.1	23.504	200/400	
		1800	286T	030180T3E286T	\$2,530	N1B	424	1.15	35.4	94.1	24.882	230/460	
		1800	286T	030180T3H286T	\$2,530	N1B	432	1.15	28.3	94.1	24.882	575	
		1800	286T	030180T3P286T	\$2,530	N1B	435	1.15	81.4	94.1	24.882	200	
		1200	326T	030120T3E326T	\$3,890	N1B	567	1.15	36.0	93.6	27.667	230/460	
		1200	326T	030120T3H326T	\$3,890	N1B	578	1.15	28.8	93.6	27.667	575	
40	30	3600	286TS	040360T3E286TS	\$3,308	N1B	390	1.15	47.1	93.0	23.504	230/460	
		3600	286TS	040360T3H286TS	\$3,308	N1B	389	1.15	37.7	93.0	23.504	575	
		3600	286TS	040360T3V286TS	\$3,308	N1B	390	1.15	54.2	93.0	23.504	200/400	
		1800	324TS	040180T3E324TS	\$3,095	N1B	506	1.15	48.2	94.1	24.685	230/460	
		1800	324TS	040180T3H324TS	\$3,095	N1B	548	1.15	38.6	94.1	24.685	575	
		1800	324TS	040180T3V324TS	\$3,095	N1B	507	1.15	55.4	94.1	24.685	200/400	
		1800	324T	040180T3E324T	\$3,095	N1B	490	1.15	48.2	94.1	26.181	230/460	
		1800	324T	040180T3H324T	\$3,095	N1B	506	1.15	38.6	94.1	26.181	575	
		1800	324T	040180T3P324T	\$3,095	N1B	509	1.15	111	94.1	26.181	200	
		1200	364/5T	040120T3E364T	\$5,544	N1B	914	1.15	47.1	94.1	29.764	230/460	
		1200	364/5T	040120T3H364T	\$5,544	N1B	910	1.15	37.7	94.1	29.764	575	

continued on next page

Please refer to back cover for description of "NOTES"

For detailed specifications, data sheets, drawings and performance curves visit <http://www.weg.net>



ODP - Foot Mount - continued

HP	kW	RPM	Frame	Catalog Number	List Price	Mult. Symbol	Approx. Shipping Weight (lbs)	Service Factor	FL Amps @ High	FL. Eff (%)	"C" Dimension (in)	Voltage (V)	Notes
50	37	3600	324TS	050360T3E324TS	\$3,820	N1B	511	1.15	59.1	93.6	24.685	230/460	
		3600	324TS	050360T3H324TS	\$3,820	N1B	510	1.15	47.3	93.6	24.685	575	
		3600	324TS	050360T3V324TS	\$3,820	N1B	512	1.15	68.0	93.6	24.685	200/400	
		1800	326TS	050180T3E326TS	\$3,788	N1B	575	1.15	59.9	94.5	26.181	230/460	
		1800	326TS	050180T3G326TS	\$3,788	N1B	574	1.15	59.9	94.5	26.181	460	
		1800	326TS	050180T3H326TS	\$3,788	N1B	580	1.15	47.9	94.5	26.181	575	
		1800	326TS	050180T3V326TS	\$3,788	N1B	575	1.15	68.9	94.5	26.181	200/400	
		1800	326T	050180T3E326T	\$3,788	N1B	554	1.15	59.9	94.5	27.667	230/460	
		1800	326T	050180T3H326T	\$3,788	N1B	575	1.15	47.9	94.5	27.667	575	
		1800	326T	050180T3P326T	\$3,788	N1B	577	1.15	138	94.5	27.667	200	
60	45	1200	364/5T	050120T3E365T	\$6,392	N1B	941	1.15	58.8	94.1	29.764	230/460	
		3600	326TS	060360T3E326TS	\$4,581	N1B	549	1.15	71.0	93.6	26.181	230/460	
		3600	326TS	060360T3G326TS	\$4,581	N1B	558	1.15	71.0	93.6	26.181	460	
		3600	326TS	060360T3H326TS	\$4,581	N1B	547	1.15	56.8	93.6	26.181	575	
		3600	326TS	060360T3V326TS	\$4,581	N1B	552	1.15	81.7	93.6	26.181	200/400	
		1800	364/5TS	060180T3E364TS	\$4,443	N1B	888	1.15	69.9	95.0	27.638	230/460	
		1800	364/5TS	060180T3G364TS	\$4,443	N1B	887	1.15	69.9	95.0	27.638	460	
		1800	364/5TS	060180T3H364TS	\$4,443	N1B	893	1.15	55.9	95.0	27.638	575	
		1800	364/5TS	060180T3V364TS	\$4,443	N1B	889	1.15	80.4	95.0	27.638	200/400	
		1800	364/5T	060180T3E364T	\$4,443	N1B	846	1.15	69.9	95.0	29.764	230/460	
1800	364/5T	060180T3G364T	\$4,443	N1B	951	1.15	69.9	95.0	29.764	460			
1800	364/5T	060180T3H364T	\$4,443	N1B	897	1.15	55.9	95.0	29.764	575			
1200	404/5T	060120T3E404T	\$7,562	N1B	1079	1.15	70.3	94.5	34.133	230/460			
75	55	3600	364/5TS	075360T3E364TS	\$5,799	N1B	847	1.15	83.4	94.1	27.638	230/460	
		3600	364/5TS	075360T3G364TS	\$5,799	N1B	847	1.15	83.4	94.1	27.638	460	
		3600	364/5TS	075360T3H364TS	\$5,799	N1B	851	1.15	66.7	94.1	27.638	575	
		3600	364/5TS	075360T3V364TS	\$5,799	N1B	848	1.15	95.9	94.1	27.638	200/400	
		1800	364/5TS	075180T3E365TS	\$5,658	N1B	902	1.15	83.5	95.0	27.638	230/460	
		1800	364/5TS	075180T3G365TS	\$5,658	N1B	952	1.15	83.5	95.0	27.638	460	
		1800	364/5TS	075180T3H365TS	\$5,658	N1B	962	1.15	66.8	95.0	27.638	575	
		1800	364/5TS	075180T3V365TS	\$5,658	N1B	955	1.15	96.0	95.0	27.638	200/400	
		1800	364/5T	075180T3E365T	\$5,658	N1B	904	1.15	83.5	95.0	29.764	230/460	
		1800	364/5T	075180T3G365T	\$5,658	N1B	956	1.15	83.5	95.0	29.764	460	
1800	364/5T	075180T3H365T	\$5,658	N1B	966	1.15	66.8	95.0	29.764	575			
1200	404/5T	075120T3E405T	\$8,358	N1B	1118	1.15	85.9	94.5	34.133	230/460			

continued on next page

Please refer to back cover for description of "NOTES"

For detailed specifications, data sheets, drawings and performance curves visit <http://www.weg.net>

Data subject to change without notice.

Can't find what you are looking for? Call 1-800-ASK-4WEG (275-4934)

ODP - Foot Mount - *continued*

Three-Phase
General Purpose
Motors

HP	kW	RPM	Frame	Catalog Number	List Price	Mult. Symbol	Approx. Shipping Weight (lbs)	Service Factor	FL Amps @ High	FL Eff (%)	"C" Dimension (in)	Voltage (V)	Notes
100	75	3600	364/5TS	100360T3E365TS	\$6,644	N1B	851	1.15	112	94.5	27.638	230/460	
		3600	364/5TS	100360T3G365TS	\$6,644	N1B	907	1.15	112	94.5	27.638	460	
		3600	364/5TS	100360T3H365TS	\$6,644	N1B	912	1.15	89.6	94.5	27.638	575	
		3600	364/5TS	100360T3V365TS	\$6,644	N1B	909	1.15	129	94.5	27.638	200/400	
		1800	404/5TS	100180T3E404TS	\$7,141	N1B	893	1.15	113	95.4	31.141	230/460	
		1800	404/5TS	100180T3G404TS	\$7,141	N1B	1076	1.15	113	95.4	31.141	460	
		1800	404/5TS	100180T3V404TS	\$7,141	N1B	1082	1.15	130	95.4	31.141	200/400	
		1800	404/5T	100180T3E404T	\$7,141	N1B	1069	1.15	113	95.4	34.133	230/460	
		1800	404/5T	100180T3ERB404T	\$7,141	N1B	1108	1.15	113	95.4	34.133	230/460	14
		1800	404/5T	100180T3G404T	\$7,141	N1B	1097	1.15	113	95.4	34.133	460	
		1800	404/5T	100180T3GRB404T	\$7,141	N1B	1104	1.15	113	95.4	34.133	460	14
		1800	404/5T	100180T3H404T	\$7,141	N1B	1111	1.15	90.4	95.4	34.133	575	
		1200	444/5T	100120T3E444T	\$11,863	N1B	1498	1.15	125	95.0	39.803	230/460	
		1200	444/5T	100120T3G444T	\$11,863	N1B	1662	1.15	125	95.0	39.803	460	
125	90	3600	404/5TS	125360T3E404TS	\$8,826	N1B	1058	1.15	133	94.5	31.141	230/460	
		3600	404/5TS	125360T3G404TS	\$8,826	N1B	1052	1.15	133	94.5	31.141	460	
		3600	404/5TS	125360T3H404TS	\$8,826	N1B	1061	1.15	106	94.5	31.141	575	
		1800	404/5TS	125180T3E405TS	\$7,981	N1B	1160	1.15	136	95.4	31.141	230/460	
		1800	404/5TS	125180T3G405TS	\$7,981	N1B	1157	1.15	136	95.4	31.141	460	
		1800	404/5T	125180T3E405T	\$7,981	N1B	1084	1.15	136	95.4	34.133	230/460	
		1800	404/5T	125180T3ERB405T	\$7,981	N1B	1188	1.15	136	95.4	34.133	230/460	14
		1800	404/5T	125180T3G405T	\$7,981	N1B	1126	1.15	136	95.4	34.133	460	
		1800	404/5T	125180T3GRB405T	\$7,981	N1B	1185	1.15	136	95.4	34.133	460	14
		1800	404/5T	125180T3H405T	\$7,981	N1B	1186	1.15	109	95.4	34.133	575	
		1200	444/5T	125120T3G445T	\$12,753	N1B	1575	1.15	158	95.0	39.803	460	
150	110	3600	404/5TS	150360T3G405TS	\$11,416	N1B	1023	1.15	162	94.5	31.141	460	
		3600	404/5TS	150360T3H405TS	\$11,416	N1B	1117	1.15	130	94.5	31.141	575	
		1800	444/5TS	150180T3G444TS	\$10,668	N1B	1517	1.15	166	95.8	36.062	460	
		1800	444/5T	150180T3G444T	\$10,668	N1B	1569	1.15	166	95.8	39.803	460	
		1800	444/5T	150180T3GRB444T	\$10,668	N1B	1642	1.15	166	95.8	39.803	460	14
		1800	444/5T	150180T3H444T	\$10,668	N1B	1625	1.15	133	95.8	39.803	575	
		1200	444/5T	150120T3G445T	\$13,615	N1B	1717	1.15	183	95.4	39.803	460	
200	150	3600	444/5TS	200360T3G444TS	\$14,504	N1B	1503	1.15	223	95.0	36.062	460	
		3600	444/5TS	200360T3H444TS	\$14,504	N1B	1497	1.15	178	95.0	36.062	575	
		1800	444/5TS	200180T3G445TS	\$13,004	N1B	1486	1.15	229	95.8	36.062	460	
		1800	444/5T	200180T3G445T	\$13,004	N1B	1601	1.15	229	95.8	39.803	460	
		1800	444/5T	200180T3GRB445T	\$13,004	N1B	1612	1.15	229	95.8	39.803	460	14
		1200	447/9T	200120T3G447/9T-W40	\$23,380	N1B	2209	1.15	241	95.4	48.317	460	37
250	185	3600	444/5TS	250360T3G445TS	\$18,983	N1B	1611	1.15	272	95.0	36.062	460	
		3600	444/5TS	250360T3H445TS	\$18,983	N1B	1982	1.15	218	95.0	36.062	575	
		1800	444/5TS	250180T3G445TS	\$15,513	N1B	1601	1.15	275	95.8	36.062	460	
		1800	444/5T	250180T3G445T	\$15,513	N1B	1647	1.15	275	95.8	39.803	460	
		1800	444/5T	250180T3GRB445T	\$15,513	N1B	1746	1.15	275	95.8	39.803	460	14
		1800	444/5T	250180T3H445T	\$15,513	N1B	1717	1.15	220	95.8	39.803	575	
		1200	447/9T	250120T3G447/9T-W40	\$27,249	N1B	2363	1.15	300	95.4	48.317	460	37

continued on next page

Please refer to back cover for description of "NOTES"

For detailed specifications, data sheets, drawings and performance curves visit <http://www.weg.net>



ODP - Foot Mount - *continued*

HP	kW	RPM	Frame	Catalog Number	List Price	Mult. Symbol	Approx. Shipping Weight (lbs)	Service Factor	FL Amps @ High	FL Eff (%)	"C" Dimension (in)	Voltage (V)	Notes
300	220	3600	444/5TS	300360T3G445TS	\$22,294	N1B	1701	1.15	322	95.4	36.062	460	
		1800	447/9TS	300180T3G447/9TS-W40	\$24,878	N1B	2079	1.15	324	95.8	42.959	460	
		1800	447/9TSD	300180T3H447/9TSD-W4	\$25,733	N1B	2135	1.15	259	95.8	42.959	575	
		1800	447/9T	300180T3G447/9T-W40	\$24,878	N1B	2124	1.15	324	95.8	48.317	460	
		1200	447/9T	300120T3G447/9T-W40	\$29,853	N1B	2809	1.15	366	95.4	48.317	460	37
350	260	3600	447/9TS	350360T3G447/9TS-W40	\$25,055	N1B	2108	1.15	384	95.4	44.567	460	37
		1800	447/9TS	350180T3G447/9TS-W40	\$25,174	N1B	2242	1.15	396	95.8	42.959	460	
		1800	447/9T	350180T3G447/9T-W40	\$25,174	N1B	2319	1.15	396	95.8	48.317	460	
400	300	3600	447/9TS	400360T3G447/9TS-W40	\$26,678	N1B	2189	1.15	442	95.8	44.567	460	37
		1800	447/9TS	400180T3G447/9TS-W40	\$28,311	N1B	2452	1.15	452	95.8	42.959	460	
		1800	447/9T	400180T3G447/9T-W40	\$28,311	N1B	2509	1.15	452	95.8	48.317	460	
450	330	3600	447/9TS	450360T3G447/9TS-W40	\$28,239	N1B	2287	1.15	478	96.2	44.567	460	37
500	370	3600	447/9TS	500360T3G447/9TS-W40	\$31,476	N1B	2377	1.15	536	96.2	44.567	460	37
550	400	3600	447/9TS	550360T3G447/9TS-W40	\$32,629	N1B	2422	1.15	580	96.2	44.567	460	37
600	440	3600	447/9TS	600360T3G447/9TS-W40	\$32,994	N1B	2540	1.15	638	96.2	44.567	460	37
700	515	3600	5010/11S	700360T3Q5010S-W40	\$42,603	N1B	3418	1.15	767	95.8	56.000	460	37;43
800	595	3600	5010/11S	800360T3Q5010S-W40	\$45,039	N1B	3528	1.15	885	96.2	56.000	460	37;43

Please refer to back cover for description of "NOTES"

For detailed specifications, data sheets, drawings and performance curves visit <http://www.weg.net>

Data subject to change without notice.

Can't find what you are looking for? Call 1-800-ASK-4WEG (275-4934)



ODP - C-Face - Foot Mount

Three-Phase
General Purpose
Motors

HP	kW	RPM	Frame	Catalog Number	List Price	Mult. Symbol	Approx. Shipping Weight (lbs)	Service Factor	FL Amps @ High	FL Eff (%)	"C" Dimension (in)	Voltage (V)	Notes
0.25	0.18	3600	56C	.25360T3E56C-S	\$259	F2B	19	1.35	0.46	65.6	10.315	230/460	9
		1800	56C	.25180T3E56C-S	\$263	F2B	19	1.35	0.53	69.5	9.921	230/460	9
		1200	56C	.25120T3E56C-S	\$316	F2B	21	1.35	0.55	67.5	10.315	230/460	9
0.33	0.25	3600	56C	.33360T3E56C-S	\$270	F2B	19	1.35	0.61	69.5	10.315	230/460	9
		1800	56C	.33180T3E56C-S	\$284	F2B	20	1.35	0.67	73.4	10.315	230/460	9
		1200	56C	.33120T3E56C-S	\$361	F2B	22	1.35	0.70	71.4	10.315	230/460	9
0.5	0.37	3600	56C	.50360T3E56C-S	\$286	F2B	20	1.25	0.81	73.4	10.315	230/460	9
		1800	56C	.50180T3E56C-S	\$324	F2B	24	1.25	0.86	78.2	10.709	230/460	9
		1200	56C	.50120T3E56C-S	\$377	F2B	25	1.25	0.93	75.3	10.709	230/460	9
0.75	0.55	3600	56C	.75360T3E56C-S	\$333	F2B	22	1.25	1.14	76.8	10.709	230/460	9
		1800	56C	.75180T3E56C-S	\$358	F2B	27	1.25	1.15	81.1	11.102	230/460	9
		1800	56C	.75180T3H56C-S	\$358	F2B	27	1.25	0.92	81.1	11.102	575	9
		1200	56HC	.75120T3E56C-S	\$412	F2B	38	1.15	1.26	81.7	12.677	230/460	9
1	0.75	3600	56C	001360T3E56C-S	\$383	F2B	23	1.25	1.51	77.0	10.709	230/460	9
		1800	56C	001180T3E56C-S	\$378	F2B	30	1.15	1.57	83.5	11.495	230/460	9
		1800	143/5TC	001180T3E143TC-S	\$424	N1S	38	1.15	1.50	85.5	11.181	230/460	9
		1800	143/5TC	001180T3H143TC-S	\$424	N1S	38	1.15	1.20	85.5	11.181	575	9
		1800	143/5TC	001180T3P143TC-S	\$424	N1S	38	1.15	3.50	85.5	11.181	200	9
		1200	56HC	001120T3E56C-S	\$486	F2B	42	1.15	1.68	82.5	13.070	230/460	9
1.5	1.1	3600	56C	001560T3E56C-S	\$408	F2B	30	1.15	1.85	84.0	11.889	230/460	9
		3600	143/5TC	001560T3E143TC-S	\$476	N1S	33	1.15	1.90	84.0	11.181	230/460	9
		3600	143/5TC	001560T3H143TC-S	\$476	N1S	33	1.15	1.50	84.0	11.181	575	9
		1800	56HC	001580T3E56C-S	\$389	F2B	40	1.15	2.10	86.5	12.677	230/460	9
		1800	143/5TC	001580T3E145TC-S	\$483	N1S	45	1.15	2.10	86.5	12.362	230/460	9
		1800	143/5TC	001580T3H145TC-S	\$483	N1S	45	1.15	1.70	86.5	12.362	575	9
		1800	143/5TC	001580T3P145TC-S	\$483	N1S	45	1.15	4.80	86.5	12.362	200	9
2	1.5	3600	56HC	002360T3E56C-S	\$464	F2B	38	1.15	2.42	85.5	12.677	230/460	9
		3600	143/5TC	002360T3E145TC-S	\$521	N1S	40	1.15	2.40	85.5	11.969	230/460	9
		3600	143/5TC	002360T3H145TC-S	\$521	N1S	40	1.15	1.90	85.5	11.969	575	9
		1800	56HC	002180T3E56C-S	\$399	F2B	40	1.15	2.69	86.5	12.677	230/460	9
		1800	143/5TC	002180T3E145TC-S	\$526	N1S	43	1.15	2.70	86.5	12.362	230/460	9
		1800	143/5TC	002180T3H145TC-S	\$526	N1S	43	1.15	2.20	86.5	12.362	575	9
		1800	143/5TC	002180T3V145TC-S	\$526	N1S	43	1.15	3.10	86.5	12.362	200/400	9
		1200	182/4TC	002120T3E184TC-S	\$635	N1S	73	1.15	3.00	87.5	14.764	230/460	9
		1200	182/4TC	002120T3H184TC-S	\$635	N1S	73	1.15	2.40	87.5	14.764	575	9
3	2.2	3600	56HC	003360T3E56C-S	\$513	F2B	42	1.15	3.59	85.5	13.070	230/460	9
		3600	143/5TC	003360T3E145TC-S	\$579	N1S	43	1.15	3.60	85.5	12.362	230/460	9
		3600	143/5TC	003360T3H145TC-S	\$579	N1S	43	1.15	2.90	85.5	12.362	575	9
		3600	143/5TC	003360T3V145TC-S	\$579	N1S	43	1.15	4.10	85.5	12.362	200/400	9
		1800	182/4TC	003180T3E182TC-S	\$562	N1S	73	1.15	3.90	89.5	15.157	230/460	9
		1800	182/4TC	003180T3H182TC-S	\$562	N1S	82	1.15	3.10	89.5	15.157	575	9
		1800	182/4TC	003180T3V182TC-S	\$562	N1S	82	1.15	4.40	89.5	15.157	200/400	9
		1200	213/5TC	003120T3E213TC-S	\$826	N1S	113	1.15	4.20	88.5	16.575	230/460	9
1200	213/5TC	003120T3H213TC-S	\$826	N1S	113	1.15	3.30	88.5	16.575	575	9		

continued on next page

Please refer to back cover for description of "NOTES"

For detailed specifications, data sheets, drawings and performance curves visit <http://www.weg.net>



ODP - C-Face - Foot Mount - continued

Three-Phase
General Purpose
Motors

HP	kW	RPM	Frame	Catalog Number	List Price	Mult. Symbol	Approx. Shipping Weight (lbs)	Service Factor	FL Amps @ High	FL. Eff (%)	"C" Dimension (in)	Voltage (V)	Notes
5	3.7	3600	182/4TC	005360T3E182TC-S	\$689	N1S	61	1.15	6.10	86.5	14.764	230/460	9
		3600	182/4TC	005360T3H182TC-S	\$689	N1S	61	1.15	4.90	86.5	14.764	575	9
		3600	182/4TC	005360T3V182TC-S	\$689	N1S	61	1.15	7.00	86.5	14.764	200/400	9
		1800	182/4TC	005180T3E184TC-S	\$668	N1S	88	1.15	6.30	89.5	16.339	230/460	9
		1800	182/4TC	005180T3H184TC-S	\$668	N1S	97	1.15	5.10	89.5	16.339	575	9
		1800	182/4TC	005180T3V184TC-S	\$668	N1S	97	1.15	7.30	89.5	16.339	200/400	9
		1200	213/5TC	005120T3E215TC-S	\$1,108	N1S	135	1.15	6.70	89.5	16.969	230/460	9
		1200	213/5TC	005120T3H215TC-S	\$1,108	N1S	135	1.15	5.40	89.5	16.969	575	9
7.5	5.5	3600	182/4TC	007360T3E184TC-S	\$958	N1S	76	1.15	8.70	88.5	15.157	230/460	9
		3600	182/4TC	007360T3H184TC-S	\$958	N1S	76	1.15	6.90	88.5	15.157	575	9
		1800	213/5TC	007180T3E213TC-S	\$961	N1S	125	1.15	9.30	91.0	16.575	230/460	9
		1800	213/5TC	007180T3H213TC-S	\$961	N1S	125	1.15	7.40	91.0	16.575	575	9
		1800	213/5TC	007180T3V213TC-S	\$961	N1S	125	1.15	10.6	91.0	16.575	200/400	9
		1200	254/6TC	007120T3E254TC-S	\$1,535	N1S	209	1.15	10.2	90.2	20.472	230/460	9
		1200	254/6TC	007120T3H254TC-S	\$1,535	N1S	209	1.15	8.20	90.2	20.472	575	9
		1200	254TC	007120T3E254TC	\$1,535	N1B	247	1.15	9.69	90.2	20.669	230/460	
1200	254TC	007120T3H254TC	\$1,535	N1B	255	1.15	7.75	90.2	20.669	575			
10	7.5	3600	213/5TC	010360T3E213TC-S	\$1,132	N1S	126	1.15	12.0	89.5	16.969	230/460	9
		3600	213/5TC	010360T3H213TC-S	\$1,132	N1S	126	1.15	9.60	89.5	16.969	575	9
		3600	213/5TC	010360T3V213TC-S	\$1,132	N1S	126	1.15	13.8	89.5	16.969	200/400	9
		1800	213/5TC	010180T3E215TC-S	\$1,153	N1S	130	1.15	12.4	91.7	16.575	230/460	9
		1800	213/5TC	010180T3H215TC-S	\$1,153	N1S	130	1.15	9.90	91.7	16.575	575	9
		1800	213/5TC	010180T3V215TC-S	\$1,153	N1S	130	1.15	14.3	91.7	16.575	200/400	9
		1200	254/6TC	010120T3E256TC-S	\$1,785	N1S	237	1.15	13.9	91.7	20.472	230/460	9
		1200	254/6TC	010120T3H256TC-S	\$1,785	N1S	237	1.15	11.1	91.7	20.472	575	9
		1200	256TC	010120T3E256TC	\$1,785	N1B	282	1.15	12.8	91.7	22.401	230/460	
		1200	256TC	010120T3H256TC	\$1,785	N1B	276	1.15	10.2	91.7	22.401	575	
15	11	3600	213/5TC	015360T3E215TC-S	\$1,543	N1S	141	1.15	17.2	90.2	17.756	230/460	9
		3600	213/5TC	015360T3H215TC-S	\$1,543	N1S	141	1.15	13.8	90.2	17.756	575	9
		3600	213/5TC	015360T3V215TC-S	\$1,543	N1S	141	1.15	19.8	90.2	17.756	200/400	9
		1800	254/6TC	015180T3E254TC-S	\$1,545	N1S	211	1.15	18.6	93.0	20.472	230/460	9
		1800	254/6TC	015180T3H254TC-S	\$1,545	N1S	211	1.15	14.9	93.0	20.472	575	9
		1800	254/6TC	015180T3V254TC-S	\$1,545	N1S	211	1.15	21.4	93.0	20.472	200/400	9
		1800	254TC	015180T3E254TC	\$1,545	N1B	264	1.15	18.6	93.0	20.669	230/460	
		1800	254TC	015180T3H254TC	\$1,545	N1B	264	1.15	14.9	93.0	20.669	575	
		1800	254TC	015180T3V254TC	\$1,545	N1B	266	1.15	21.4	93.0	20.669	200/400	
		1200	284TC	015120T3E284TC	\$2,497	N1B	400	1.15	17.7	91.7	23.386	230/460	
		1200	284TC	015120T3H284TC	\$2,497	N1B	400	1.15	14.2	91.7	23.386	575	

continued on next page

Please refer to back cover for description of "NOTES"

For detailed specifications, data sheets, drawings and performance curves visit <http://www.weg.net>

Data subject to change without notice.

Can't find what you are looking for? Call 1-800-ASK-4WEG (275-4934)

ODP - C-Face - Foot Mount - *continued*

Three-Phase
General Purpose
Motors

HP	KW	RPM	Frame	Catalog Number	List Price	Mult. Symbol	Approx. Shipping Weight (lbs)	Service Factor	FL Amps @ High	FL. Eff (%)	"C" Dimension (in)	Voltage (V)	Notes
20	15	3600	254/6TC	020360T3E254TC-S	\$1,828	N1S	187	1.15	23.8	91.0	20.472	230/460	9
		3600	254/6TC	020360T3H254TC-S	\$1,828	N1S	187	1.15	19.0	91.0	20.472	575	9
		3600	254TC	020360T3E254TC	\$1,828	N1B	221	1.15	24.6	91.0	20.669	230/460	
		3600	254TC	020360T3H254TC	\$1,828	N1B	221	1.15	19.7	91.0	20.669	575	
		1800	254/6TC	020180T3E256TC-S	\$1,900	N1S	235	1.15	25.0	93.0	20.472	230/460	9
		1800	254/6TC	020180T3H256TC-S	\$1,900	N1S	235	1.15	20.0	93.0	20.472	575	9
		1800	254/6TC	020180T3V256TC-S	\$1,900	N1S	235	1.15	28.8	93.0	20.472	200/400	9
		1800	256TC	020180T3E256TC	\$1,900	N1B	301	1.15	24.7	93.0	22.401	230/460	
		1800	256TC	020180T3H256TC	\$1,900	N1B	300	1.15	19.8	93.0	22.401	575	
		1800	256TC	020180T3V256TC	\$1,900	N1B	302	1.15	28.4	93.0	22.401	200/400	
		1200	286TC	020120T3E286TC	\$3,119	N1B	422	1.15	24.0	92.4	24.882	230/460	
		1200	286TC	020120T3H286TC	\$3,119	N1B	421	1.15	19.2	92.4	24.882	575	
25	18.5	3600	254/6TC	025360T3E256TC-S	\$2,207	N1S	202	1.15	29.1	91.7	20.472	230/460	9
		3600	254/6TC	025360T3H256TC-S	\$2,207	N1S	202	1.15	23.3	91.7	20.472	575	9
		3600	256TC	025360T3E256TC	\$2,207	N1B	261	1.15	29.8	91.7	22.401	230/460	
		3600	256TC	025360T3H256TC	\$2,207	N1B	262	1.15	23.8	91.7	22.401	575	
		1800	284TC	025180T3E284TC	\$2,245	N1B	387	1.15	29.9	93.6	23.386	230/460	
		1800	284TC	025180T3H284TC	\$2,245	N1B	386	1.15	23.9	93.6	23.386	575	
		1800	284TC	025180T3V284TC	\$2,245	N1B	387	1.15	34.4	93.6	23.386	200/400	
30	22	3600	284TSC	030360T3E284TSC	\$2,572	N1B	358	1.15	34.7	92.4	22.000	230/460	
		3600	284TSC	030360T3H284TSC	\$2,572	N1B	357	1.15	27.8	92.4	22.000	575	
		3600	284TSC	030360T3V284TSC	\$2,572	N1B	358	1.15	39.9	92.4	22.000	200/400	
		1800	286TC	030180T3E286TC	\$2,615	N1B	441	1.15	35.4	94.1	24.882	230/460	
		1800	286TC	030180T3H286TC	\$2,615	N1B	439	1.15	28.3	94.1	24.882	575	
		1800	286TC	030180T3V286TC	\$2,615	N1B	441	1.15	40.7	94.1	24.882	200/400	
		1200	326TC	030120T3E326TC	\$3,990	N1B	577	1.15	36.0	93.6	27.667	230/460	
40	30	3600	286TSC	040360T3E286TSC	\$3,393	N1B	397	1.15	47.1	93.0	23.504	230/460	
		3600	286TSC	040360T3H286TSC	\$3,393	N1B	396	1.15	37.7	93.0	23.504	575	
		1800	324TSC	040180T3E324TSC	\$3,195	N1B	574	1.15	48.2	94.1	24.685	230/460	
		1800	324TC	040180T3E324TC	\$3,195	N1B	518	1.15	48.2	94.1	26.181	230/460	
		1800	324TC	040180T3H324TC	\$3,195	N1B	516	1.15	38.6	94.1	26.181	575	
		1200	364/5TC	040120T3E364TC	\$5,938	N1B	944	1.15	47.1	94.1	29.764	230/460	
50	37	3600	324TSC	050360T3E324TSC	\$3,920	N1B	521	1.15	59.1	93.6	24.685	230/460	
		3600	324TSC	050360T3H324TSC	\$3,920	N1B	521	1.15	47.3	93.6	24.685	575	
		1800	326TSC	050180T3E326TSC	\$3,888	N1B	585	1.15	59.9	94.5	26.181	230/460	
		1800	326TC	050180T3E326TC	\$3,888	N1B	588	1.15	59.9	94.5	27.667	230/460	
		1800	326TC	050180T3H326TC	\$3,888	N1B	585	1.15	47.9	94.5	27.667	575	
		1200	364/5TC	050120T3E365TC	\$6,786	N1B	972	1.15	58.8	94.1	29.764	230/460	
60	45	3600	326TSC	060360T3E326TSC	\$4,681	N1B	560	1.15	71.0	93.6	26.181	230/460	
		1800	364/5TC	060180T3E364TC	\$4,837	N1B	923	1.15	69.9	95.0	29.764	230/460	
		1800	364/5TC	060180T3H364TC	\$4,837	N1B	927	1.15	55.9	95.0	29.764	575	
75	55	3600	364/5TSC	075360T3E364TSC	\$6,193	N1B	878	1.15	83.4	94.1	27.638	230/460	
		1800	364/5TC	075180T3E365TC	\$6,052	N1B	989	1.15	83.5	95.0	29.764	230/460	
		1800	364/5TC	075180T3H365TC	\$6,052	N1B	997	1.15	66.8	95.0	29.764	575	

continued on next page

Please refer to back cover for description of "NOTES"

For detailed specifications, data sheets, drawings and performance curves visit <http://www.weg.net>



ODP - C-Face - Foot Mount - *continued*

HP	kW	RPM	Frame	Catalog Number	List Price	Mult. Symbol	Approx. Shipping Weight (lbs)	Service Factor	FL Amps @ High	FL Eff (%)	"C" Dimension (in)	Voltage (V)	Notes
100	75	1800	404/5TSC	100180T3E404TSC	\$7,587	N1B	1111	1.15	113	95.4	31.141	230/460	
		1800	404/5TSC	100180T3H404TSC	\$7,587	N1B	1113	1.15	90.4	95.4	31.141	575	
		1800	404/5TC	100180T3E404TC	\$7,587	N1B	1122	1.15	113	95.4	34.133	230/460	
		1800	404/5TC	100180T3H404TC	\$7,587	N1B	1123	1.15	90.4	95.4	34.133	575	
125	90	1800	404/5TSC	125180T3E405TSC	\$8,427	N1B	1191	1.15	136	95.4	31.141	230/460	
		1800	404/5TSC	125180T3G405TSC	\$8,427	N1B	1187	1.15	136	95.4	31.141	460	
		1800	404/5TC	125180T3E405TC	\$8,427	N1B	1201	1.15	136	95.4	34.133	230/460	
		1800	404/5TC	125180T3G405TC	\$8,427	N1B	1198	1.15	136	95.4	34.133	460	
		1800	404/5TC	125180T3H405TC	\$8,427	N1B	1206	1.15	109	95.4	34.133	575	
150	110	3600	404/5TSC	150360T3G405TSC	\$11,862	N1B	1153	1.15	162	94.5	31.141	460	
		1800	444/5TSC	150180T3G444TSC	\$11,228	N1B	1648	1.15	166	95.8	36.062	460	
		1800	444/5TC	150180T3G444TC	\$11,228	N1B	1678	1.15	166	95.8	39.803	460	
		1800	444/5TC	150180T3H444TC	\$11,228	N1B	1624	1.15	133	95.8	39.803	575	
200	150	3600	444/5TSC	200360T3G444TSC	\$15,064	N1B	1559	1.15	223	95.0	36.062	460	
		1800	444/5TC	200180T3G445TC	\$13,564	N1B	1649	1.15	229	95.8	39.803	460	
250	185	3600	444/5TSC	250360T3G445TSC	\$19,543	N1B	1666	1.15	272	95.0	36.062	460	
		1800	444/5TC	250180T3G445TC	\$16,073	N1B	1765	1.15	275	95.8	39.803	460	

Please refer to back cover for description of "NOTES"

For detailed specifications, data sheets, drawings and performance curves visit <http://www.weg.net>

Data subject to change without notice.

Can't find what you are looking for? Call **1-800-ASK-4WEG** (275-4934)

Three-Phase General Purpose Motors



ODP - C-Face - Footless

Three-Phase
General Purpose
Motors

HP	kW	RPM	Frame	Catalog Number	List Price	Mult. Symbol	Approx. Shipping Weight (lbs)	Service Factor	FL Amps @ High	FL. Eff (%)	"C" Dimension (in)	Voltage (V)	Notes
0.25	0.18	1800	56C	.25180T3E56CFL-S	\$263	F2B	19	1.35	0.53	66.0	9.921	230/460	9;20
		1800	56C	.25180T3H56CFL-S	\$263	F2B	19	1.35	0.42	69.5	9.921	575	9;20
0.33	0.25	3600	56C	.33360T3E56CFL-S	\$270	F2B	19	1.35	0.61	69.5	10.315	230/460	9;20
		1800	56C	.33180T3E56CFL-S	\$284	F2B	20	1.35	0.67	73.4	10.315	230/460	9;20
		1800	56C	.33180T3H56CFL-S	\$284	F2B	20	1.35	0.54	73.4	10.315	575	9;20
0.5	0.37	3600	56C	.50360T3E56CFL-S	\$286	F2B	20	1.25	0.81	73.4	10.315	230/460	9;20
		1800	56C	.50180T3E56CFL-S	\$324	F2B	24	1.25	0.86	78.2	10.709	230/460	9;20
		1800	56C	.50180T3H56CFL-S	\$324	F2B	24	1.25	0.69	78.2	10.709	575	9;20
0.75	0.55	3600	56C	.75360T3E56CFL-S	\$333	F2B	22	1.25	1.14	76.8	10.709	230/460	9;20
		1800	56C	.75180T3E56CFL-S	\$358	F2B	27	1.25	1.15	81.1	11.102	230/460	9;20
		1800	56C	.75180T3H56CFL-S	\$358	F2B	27	1.25	0.92	81.1	11.102	575	9;20
1	0.75	3600	56C	001360T3E56CFL-S	\$383	F2B	23	1.25	1.51	77.0	10.709	230/460	9;20
		1800	56C	001180T3E56CFL-S	\$378	F2B	30	1.15	1.57	83.5	11.495	230/460	9;20
		1800	56C	001180T3H56CFL-S	\$378	F2B	30	1.15	1.26	83.5	11.495	575	9;20
1.5	1.1	3600	56C	001560T3E56CFL-S	\$408	F2B	30	1.15	1.85	84.0	11.889	230/460	9;20
		1800	56C	001580T3E56CFL-S	\$389	F2B	40	1.15	2.10	86.5	12.677	230/460	9;20
		1800	56C	001580T3H56CFL-S	\$389	F2B	40	1.15	1.68	86.5	12.677	575	9;20
2	1.5	3600	56C	002360T3E56CFL-S	\$464	F2B	38	1.15	2.42	85.5	12.677	230/460	9;20
		1800	56C	002180T3E56CFL-S	\$399	F2B	40	1.15	2.69	86.5	12.677	230/460	9;20
		1800	56C	002180T3H56CFL-S	\$399	F2B	40	1.15	2.15	86.5	12.677	575	9;20
3	2.2	3600	56C	003360T3E56CFL-S	\$513	F2B	42	1.15	3.59	85.5	13.070	230/460	9;20



ODP - Resilient Base

HP	kW	RPM	Frame	Catalog Number	List Price	Mult. Symbol	Approx. Shipping Weight (lbs)	Service Factor	FL Amps @ High	FL. Eff (%)	"C" Dimension (in)	Voltage (V)	Notes
0.33	0.25	1800	56	.33180T3ERB56-S	\$314	F2B	22	1.35	0.67	73.4	10.827	230/460	9;13
0.5	0.37	1800	56	.50180T3ERB56-S	\$354	F2B	25	1.25	0.86	78.2	11.220	230/460	9;13
0.75	0.55	1800	56	.75180T3ERB56-S	\$388	F2B	28	1.25	1.15	81.1	11.614	230/460	9;13
1	0.75	1800	56	001180T3ERB56-S	\$408	F2B	31	1.15	1.57	83.5	12.008	230/460	9;13
1.5	1.1	1800	56H	001580T3ERB56-S	\$419	F2B	42	1.15	2.10	86.5	13.189	230/460	9;13

Please refer to back cover for description of "NOTES"

For detailed specifications, data sheets, drawings and performance curves visit <http://www.weg.net>

Three-Phase General Purpose Motors

IEEE 841 - THREE PHASE TEFC - NEMA Premium®

WEG's IEEE 841 motors are specially suited for Pulp & Paper mills, Steel mills, Petrochemical Plants and diverse demanding applications requiring severe duty long life motors.

WEG's W22 cast iron platform has an improved cooling system and solid feet for cooler operation and reduced vibration and noise extending the life of the motor.

Standard Features:

- Class F insulation (Impregnation Resin and magnet wire are class H)
- F1 Mounted (F2 convertible). Frames 447T and up can easily be F2 converted by simply rotating the terminal box adapter
- Stainless Steel Nameplate - Laser etched with high contrast background
- All frames with regreasable ball bearings
- Class I, Div. 2, Groups A, B, C & D – T3, Class II, Div 2, Groups F & G – T3C

*Inverter Rated:

1000:1 for variable torque

20:1 for constant torque

** Frame 586/7 250HP and up 6:1 CT and 1000:1 VT*

** Insulated bearing housing on the NDE standard on L447/9T and above*



Features that make a difference:

- 1.25 Service Factor up to 100 HP
- InproSeal Bearing Isolators both ends
- Bearing protection meets IP56
- Rubber lead separator between terminal box and frame
- Vibration: 0.04 inches per second or less
- Guaranteed foot flatness to within 0.005"
- Bearing life 50,000 hours (L-10)
- Epoxy Paint system exceeds 250hrs Salt Spray test
- Interior surfaces are epoxy coated
- Non-sparking fan
- NPT Threaded terminal box
- Seamless copper lead lugs
- Seamless Stainless Steel grease extension tubes
- Automatic grease relief fittings
- IEEE 841 Test Report in conduit box
- Suitable for IEEE45 and USCG 259 – Marine Duty

ADDITIONAL TECHNICAL DATA

ELECTRICAL DATA: B-12

MECHANICAL DATA: B-68



Three-Phase General Purpose Motors



IEEE 841 - Three-Phase

TEFC - Foot Mount

Three-Phase
General Purpose
Motors

HP	kW	RPM	Frame	Catalog Number	List Price	Mult. Symbol	Approx. Shipping Weight (lbs)	Service Factor	FL Amps @ High	FL. Eff (%)	"C" Dimension (in)	Voltage (V)	Notes
1	0.75	1800	143/5T	00118ST3QIE143T-W22	\$922	11	58	1.25	1.47	85.5	13.358	460	
		1800	143/5T	00118ST3HIE143T-W22	\$922	11	58	1.25	1.18	85.5	13.358	575	
		1200	143/5T	00112ST3QIE145T-W22	\$1,062	11	66	1.25	1.73	82.5	13.358	460	
		1200	143/5T	00112ST3HIE145T-W22	\$1,062	11	66	1.25	1.38	82.5	13.358	575	
		900	182/4T	00109ST3QIE182T-W22	\$2,006	11	97	1.25	2.30	78.5	15.860	460	
1.5	1.1	3600	143/5T	00156ST3QIE143T-W22	\$981	11	59	1.25	1.96	84.0	13.358	460	
		3600	143/5T	00156ST3HIE143T-W22	\$981	11	43	1.25	1.57	84.0	13.358	575	
		1800	143/5T	00158ST3QIE145T-W22	\$981	11	63	1.25	2.02	86.5	13.358	460	
		1800	143/5T	00158ST3HIE145T-W22	\$981	11	63	1.25	1.62	86.5	13.358	575	
		1200	182/4T	00152ST3QIE182T-W22	\$1,286	11	108	1.25	2.54	87.5	15.860	460	
		1200	182/4T	00152ST3HIE182T-W22	\$1,286	11	74	1.25	2.03	87.5	15.860	575	
		900	182/4T	00159ST3QIE184T-W22	\$2,016	11	112	1.25	2.70	82.5	15.860	460	
2	1.5	3600	143/5T	00236ST3QIE145T-W22	\$1,023	11	64	1.25	2.56	85.5	13.358	460	
		3600	143/5T	00236ST3HIE145T-W22	\$1,023	11	64	1.25	2.05	85.5	13.358	575	
		1800	143/5T	00218ST3QIE145T-W22	\$1,023	11	64	1.25	2.76	86.5	13.358	460	
		1800	143/5T	00218ST3HIE145T-W22	\$1,023	11	64	1.25	2.21	86.5	13.358	575	
		1200	182/4T	00212ST3QIE184T-W22	\$1,363	11	113	1.25	3.22	88.5	15.860	460	
		1200	182/4T	00212ST3HIE184T-W22	\$1,363	11	114	1.25	2.58	88.5	15.860	575	39
		900	213/5T	00209ST3QIE213T-W22	\$2,701	11	154	1.25	3.39	85.5	19.517	460	
3	2.2	3600	182/4T	00336ST3QIE182T-W22	\$1,267	11	109	1.25	3.63	86.5	15.860	460	
		3600	182/4T	00336ST3HIE182T-W22	\$1,267	11	108	1.25	2.90	86.5	15.860	575	
		1800	182/4T	00318ST3QIE182T-W22	\$1,224	11	106	1.25	3.91	89.5	15.860	460	
		1800	182/4T	00318ST3HIE182T-W22	\$1,224	11	104	1.25	3.13	89.5	15.860	575	
		1200	213/5T	00312ST3QIE213T-W22	\$1,537	11	173	1.25	4.41	89.5	19.517	460	
		1200	213/5T	00312ST3HIE213T-W22	\$1,537	11	173	1.25	3.53	89.5	19.517	575	
		900	213/5T	00309ST3QIE215T-W22	\$2,883	11	199	1.25	4.55	85.5	19.517	460	
5	3.7	3600	182/4T	00536ST3QIE184T-W22	\$1,429	11	116	1.25	5.90	88.5	15.860	460	
		3600	182/4T	00536ST3HIE184T-W22	\$1,429	11	116	1.25	4.72	88.5	15.860	575	
		1800	182/4T	00518ST3QIE184T-W22	\$1,371	11	115	1.25	6.45	89.5	15.860	460	
		1800	182/4T	00518ST3HIE184T-W22	\$1,371	11	115	1.25	5.16	89.5	15.860	575	
		1200	213/5T	00512ST3QIE215T-W22	\$1,901	11	191	1.25	6.83	89.5	19.517	460	
		1200	213/5T	00512ST3HIE215T-W22	\$1,901	11	191	1.25	5.46	89.5	19.517	575	
		900	254/6T	00509ST3QIE254T-W22	\$4,243	11	306	1.25	7.58	87.5	24.945	460	
7.5	5.5	3600	213/5T	00736ST3QIE213T-W22	\$1,751	11	174	1.25	8.76	89.5	19.517	460	
		3600	213/5T	00736ST3HIE213T-W22	\$1,751	11	173	1.25	7.01	89.5	19.517	575	
		1800	213/5T	00718ST3QIE213T-W22	\$1,646	11	185	1.25	9.18	91.7	19.517	460	
		1800	213/5T	00718ST3HIE213T-W22	\$1,646	11	185	1.25	7.34	91.7	19.517	575	
		1200	254/6T	00712ST3QIE254T-W22	\$2,544	11	322	1.25	9.48	91.0	24.945	460	
		1200	254/6T	00712ST3HIE254T-W22	\$2,544	11	299	1.25	7.58	91.0	24.945	575	
		900	254/6T	00709ST3QIE256T-W22	\$5,040	11	321	1.25	11.1	87.5	24.945	460	

continued on next page

Please refer to back cover for description of "NOTES"

For detailed specifications, data sheets, drawings and performance curves visit <http://www.weg.net>



TEFC - Foot Mount - continued

Three-Phase
General Purpose
Motors

HP	KW	RPM	Frame	Catalog Number	List Price	Mult. Symbol	Approx. Shipping Weight (lbs)	Service Factor	FL Amps @ High	FL Eff (%)	"C" Dimension (in)	Voltage (V)	Notes
10	7.5	3600	213/5T	01036ST3QIE215T-W22	\$1,920	I1	191	1.25	11.6	90.2	19.517	460	
		3600	213/5T	01036ST3HIE215T-W22	\$1,920	I1	191	1.25	9.28	90.2	19.517	575	
		1800	213/5T	01018ST3QIE215T-W22	\$1,760	I1	188	1.25	12.4	91.7	19.517	460	
		1800	213/5T	01018ST3HIE215T-W22	\$1,760	I1	199	1.25	9.92	91.7	19.517	575	
		1200	254/6T	01012ST3QIE256T-W22	\$2,834	I1	329	1.25	12.9	91.0	24.945	460	
		1200	254/6T	01012ST3HIE256T-W22	\$2,834	I1	329	1.25	10.3	91.0	24.945	575	
		900	284/6T	01009ST3QIE284T-W22	\$5,936	I1	380	1.25	13.4	90.2	27.929	460	
15	11	3600	254/6T	01536ST3QIE254T-W22	\$2,428	I1	303	1.25	17.2	91.0	24.945	460	
		3600	254/6T	01536ST3HIE254T-W22	\$2,428	I1	303	1.25	13.8	91.0	24.945	575	
		1800	254/6T	01518ST3QIE254T-W22	\$2,257	I1	341	1.25	18.0	92.4	24.945	460	
		1800	254/6T	01518ST3HIE254T-W22	\$2,257	I1	351	1.25	14.4	92.4	24.945	575	
		1200	284/6T	01512ST3QIE284T-W22	\$4,203	I1	430	1.25	17.9	91.7	27.929	460	
		1200	284/6T	01512ST3HIE284T-W22	\$4,203	I1	425	1.25	14.3	91.7	27.929	575	
		900	284/6T	01509ST3QIE286T-W22	\$6,742	I1	437	1.25	19.4	90.2	27.929	460	
20	15	3600	254/6T	02036ST3QIE256T-W22	\$2,957	I1	329	1.25	23.2	91.0	24.945	460	
		3600	254/6T	02036ST3HIE256T-W22	\$2,957	I1	328	1.25	18.6	91.0	24.945	575	
		1800	254/6T	02018ST3QIE256T-W22	\$2,597	I1	385	1.25	24.1	93.0	24.945	460	
		1800	254/6T	02018ST3HIE256T-W22	\$2,597	I1	400	1.25	19.3	93.0	24.945	575	
		1200	284/6T	02012ST3QIE286T-W22	\$4,773	I1	456	1.25	24.2	91.7	27.929	460	
		1200	284/6T	02012ST3HIE286T-W22	\$4,773	I1	456	1.25	19.4	91.7	27.929	575	
		900	324/6T	02009ST3QIE324T-W22	\$8,269	I1	551	1.25	28.3	91.0	31.116	460	
25	18.5	3600	284/6TS	02536ST3QIE284TS-W22	\$3,368	I1	413	1.25	28.5	91.7	26.557	460	
		3600	284/6TS	02536ST3HIE284TS-W22	\$3,368	I1	403	1.25	22.8	91.7	26.557	575	
		1800	284/6T	02518ST3QIE284T-W22	\$2,926	I1	448	1.25	29.5	93.6	27.929	460	
		1800	284/6T	02518ST3HIE284T-W22	\$2,926	I1	447	1.25	23.6	93.6	27.929	575	
		1200	324/6T	02512ST3QIE324T-W22	\$5,211	I1	588	1.25	30.4	93.0	31.116	460	
		1200	324/6T	02512ST3HIE324T-W22	\$5,211	I1	587	1.25	24.3	93.0	31.116	575	
		900	324/6T	02509ST3QIE326T-W22	\$8,838	I1	596	1.25	35.9	91.0	31.116	460	
30	22	3600	284/6TS	03036ST3QIE286TS-W22	\$3,799	I1	433	1.25	33.8	91.7	26.557	460	
		3600	284/6TS	03036ST3HIE286TS-W22	\$3,799	I1	433	1.25	27.0	91.7	26.557	575	
		1800	284/6T	03018ST3QIE286T-W22	\$3,509	I1	454	1.25	35.1	93.6	27.929	460	
		1800	284/6T	03018ST3HIE286T-W22	\$3,509	I1	484	1.25	28.1	93.6	27.929	575	
		1200	324/6T	03012ST3QIE326T-W22	\$5,359	I1	633	1.25	35.8	93.0	31.116	460	
		1200	324/6T	03012ST3HIE326T-W22	\$5,359	I1	632	1.25	28.6	93.0	31.116	575	
		900	364/5T	03009ST3QIE364T-W22	\$13,149	I1	900	1.25	37.0	92.4	34.251	460	
40	30	3600	324/6TS	04036ST3QIE324TS-W22	\$5,306	I1	591	1.25	45.8	92.4	29.616	460	
		3600	324/6TS	04036ST3HIE324TS-W22	\$5,306	I1	591	1.25	36.6	92.4	29.616	575	
		1800	324/6T	04018ST3QIE324T-W22	\$4,692	I1	590	1.25	47.1	94.1	31.116	460	
		1800	324/6T	04018ST3HIE324T-W22	\$4,692	I1	617	1.25	37.7	94.1	31.116	575	
		1200	364/5T	04012ST3QIE364T-W22	\$8,636	I1	1007	1.25	46.5	94.1	34.251	460	
		1200	364/5T	04012ST3HIE364T-W22	\$8,636	I1	1003	1.25	37.2	94.1	34.251	575	
		900	364/5T	04009ST3QIE365T-W22	\$14,909	I1	955	1.25	50.3	92.4	34.251	460	

continued on next page

Please refer to back cover for description of "NOTES"

For detailed specifications, data sheets, drawings and performance curves visit <http://www.weg.net>

Data subject to change without notice.

Can't find what you are looking for? Call 1-800-ASK-4WEG (275-4934)

IEEE 841 - Three-Phase

TEFC - Foot Mount - *continued*

Three-Phase
General Purpose
Motors

HP	kW	RPM	Frame	Catalog Number	List Price	Mult. Symbol	Approx. Shipping Weight (lbs)	Service Factor	FL Amps @ High	FL Eff (%)	"C" Dimension (in)	Voltage (V)	Notes
50	37	3600	324/6TS	05036ST3QIE326TS-W22	\$5,970	I1	613	1.25	56.1	93.0	29.616	460	
		3600	324/6TS	05036ST3HIE326TS-W22	\$5,970	I1	612	1.25	44.9	93.0	29.616	575	
		1800	324/6T	05018ST3QIE326T-W22	\$5,233	I1	610	1.25	59.2	94.5	31.116	460	
		1800	324/6T	05018ST3HIE326T-W22	\$5,233	I1	636	1.25	47.4	94.5	31.116	575	
		1200	364/5T	05012ST3QIE365T-W22	\$9,369	I1	1022	1.25	57.4	94.1	34.251	460	
		1200	364/5T	05012ST3HIE365T-W22	\$9,369	I1	1019	1.25	45.9	94.1	34.251	575	
		900	404/5T	05009ST3QIE404T-W22	\$19,331	I1	1214	1.25	60.0	93.0	39.730	460	
60	45	3600	364/5TS	06036ST3QIE364TS-W22	\$8,665	I1	965	1.25	67.0	93.6	32.338	460	
		3600	364/5TS	06036ST3HIE364TS-W22	\$8,665	I1	963	1.25	53.6	93.6	32.338	575	
		1800	364/5T	06018ST3QIE364T-W22	\$8,044	I1	957	1.25	68.3	95.0	34.251	460	
		1800	364/5T	06018ST3HIE364T-W22	\$8,044	I1	1030	1.25	54.6	95.0	34.251	575	
		1200	404/5T	06012ST3QIE404T-W22	\$11,790	I1	1253	1.25	69.5	94.5	39.730	460	
		1200	404/5T	06012ST3HIE404T-W22	\$11,790	I1	1249	1.25	55.6	94.5	39.730	575	
		900	404/5T	06009ST3QIE405T-W22	\$22,579	I1	1261	1.25	73.0	93.0	39.730	460	
75	55	3600	364/5TS	07536ST3QIE365TS-W22	\$10,210	I1	1012	1.25	81.9	93.6	32.338	460	
		3600	364/5TS	07536ST3HIE365TS-W22	\$10,210	I1	972	1.25	65.5	93.6	32.338	575	
		1800	364/5T	07518ST3QIE365T-W22	\$9,289	I1	996	1.25	84.1	95.4	34.251	460	
		1800	364/5T	07518ST3HIE365T-W22	\$9,289	I1	1045	1.25	67.3	95.4	34.251	575	
		1200	404/5T	07512ST3QIE405T-W22	\$12,866	I1	1317	1.25	84.9	94.5	39.730	460	
		1200	404/5T	07512ST3QIERB405T-W2	\$12,866	I1	1326	1.25	84.9	94.5	39.730	460	14
		1200	404/5T	07512ST3HIE405T-W22	\$12,866	I1	1298	1.25	67.9	94.5	39.730	575	
		900	444/5T	07509ST3QIE444T-W22	\$23,457	I1	1666	1.25	93.0	93.6	44.950	460	
100	75	3600	404/5TS	10036ST3QIE405TS-W22	\$12,806	I1	1182	1.25	110	94.1	36.732	460	
		3600	404/5TS	10036ST3HIE405TS-W22	\$12,806	I1	1191	1.25	88.0	94.1	36.732	575	
		1800	404/5T	10018ST3QIE405T-W22	\$12,471	I1	1276	1.25	116	95.4	39.730	460	
		1800	404/5T	10018ST3QIERB405T-W2	\$12,471	I1	1292	1.25	116	95.4	39.730	460	14
		1800	404/5T	10018ST3HIE405T-W22	\$12,471	I1	1339	1.25	92.8	95.4	39.730	575	
		1800	404/5T	10018ST3HIERB405T-W2	\$12,471	I1	1348	1.25	92.8	95.4	39.730	575	14
		1200	444/5T	10012ST3QIE444T-W22	\$17,933	I1	1800	1.25	121	95.0	44.950	460	
		1200	444/5T	10012ST3QIERB444T-W2	\$17,933	I1	1915	1.25	121	95.0	44.950	460	14
		1200	444/5T	10012ST3HIE444T-W22	\$17,933	I1	1900	1.25	96.8	95.0	44.950	575	
		900	444/5T	10009ST3QIE445T-W22	\$24,681	I1	1944	1.25	127	94.1	44.950	460	
900	444/5T	10009ST3QIERB445T-W2	\$24,681	I1	1763	1.25	127	94.1	44.950	460	14		
125	90	3600	444/5TS	12536ST3QIE444TS-W22	\$18,198	I1	1805	1.15	134	95.0	41.200	460	
		3600	444/5TS	12536ST3HIE444TS-W22	\$18,198	I1	1796	1.15	107	95.0	41.200	575	
		1800	444/5T	12518ST3QIE444T-W22	\$16,564	I1	1708	1.15	139	95.4	44.950	460	
		1800	444/5T	12518ST3QIERB444T-W2	\$16,564	I1	1836	1.15	139	95.4	44.950	460	14
		1800	444/5T	12518ST3HIE444T-W22	\$16,564	I1	1822	1.15	111	95.4	44.950	575	
		1200	444/5T	12512ST3QIE445T-W22	\$20,158	I1	2016	1.15	143	95.0	44.950	460	
		1200	444/5T	12512ST3QIERB445T-W2	\$20,158	I1	2028	1.15	143	95.0	44.950	460	14
		1200	444/5T	12512ST3HIE445T-W22	\$20,158	I1	2013	1.15	114	95.0	44.950	575	
		900	445/7T	12509ST3QIE447T-W22	\$29,733	I1	2239	1.15	151	94.5	48.701	460	
900	445/7T	12509ST3QIERB447T-W2	\$29,733	I1	2273	1.15	151	94.5	48.701	460	14		

continued on next page

Please refer to back cover for description of "NOTES"

For detailed specifications, data sheets, drawings and performance curves visit <http://www.weg.net>



TEFC - Foot Mount - *continued*

HP	kW	RPM	Frame	Catalog Number	List Price	Mult. Symbol	Approx. Shipping Weight (lbs)	Service Factor	FL Amps @ High	FL Eff (%)	"C" Dimension (in)	Voltage (V)	Notes
150	110	3600	444/5TS	15036ST3QIE445TS-W22	\$21,433	I1	1900	1.15	161	95.0	41.200	460	
		3600	444/5TS	15036ST3HIE445TS-W22	\$21,433	I1	1908	1.15	129	95.0	41.200	575	
		1800	444/5T	15018ST3QIE445T-W22	\$18,587	I1	1910	1.15	170	95.8	44.950	460	
		1800	444/5T	15018ST3QIERB445T-W2	\$18,587	I1	2041	1.15	170	95.8	44.950	460	14
		1800	444/5T	15018ST3HIE445T-W22	\$18,587	I1	2027	1.15	136	95.8	44.950	575	
		1800	444/5T	15018ST3HIERB445T-W2	\$18,587	I1	2038	1.15	136	95.8	44.950	575	14
		1200	445/7T	15012ST3QIE447T-W22	\$23,181	I1	2511	1.15	176	95.8	48.701	460	
		1200	445/7T	15012ST3QIERB447T-W2	\$23,181	I1	2543	1.15	176	95.8	48.701	460	14
		1200	445/7T	15012ST3HIE447T-W22	\$23,181	I1	2531	1.15	141	95.8	48.701	575	
		900	445/7T	15009ST3QIE447T-W22	\$34,755	I1	2409	1.15	185	94.5	48.701	460	
900	445/7T	15009ST3QIERB447T-W2	\$34,755	I1	2421	1.15	185	94.5	48.701	460	14		
200	150	3600	445/7TS	20036ST3QIE447TS-W22	\$28,568	I1	2240	1.15	219	95.4	44.951	460	
		3600	445/7TS	20036ST3HIE447TS-W22	\$28,568	I1	2209	1.15	175	95.4	44.951	575	
		1800	445/7T	20018ST3QIE447T-W22	\$23,696	I1	2320	1.15	230	96.2	48.701	460	
		1800	445/7T	20018ST3QIERB447T-W2	\$23,696	I1	2520	1.15	230	96.2	48.701	460	14
		1800	445/7T	20018ST3HIE447T-W22	\$23,696	I1	2502	1.15	184	96.2	48.701	575	
		1200	447/9T	20012ST3QIE449T-W22	\$27,577	I1	2978	1.15	237	95.8	56.338	460	
		1200	447/9T	20012ST3QIERB449T-W2	\$27,557	I1	3052	1.15	237	95.8	56.338	460	14
		1200	447/9T	20012ST3HIE449T-W22	\$27,577	I1	3030	1.15	190	95.8	56.338	575	
		1200	447/9T	20012ST3HIERB449T-W2	\$27,557	I1	3046	1.15	190	95.8	56.338	575	14
		900	L447/9T	20009ST3QIE449T-W22	\$57,394	I1	3655	1.15	242	95.0	57.181	460	43
900	L447/9T	20009ST3QIERB449T-W2	\$57,394	I1	3669	1.15	242	95.0	57.181	460	14;43		
900	L447/9T	20009ST3HIE449T-W22	\$57,394	I1	3569	1.15	194	95.0	57.181	575	43		
250	185	3600	447/9TS	25036ST3QIE449TS-W22	\$34,663	I1	2603	1.15	266	95.8	52.940	460	
		1800	447/9T	25018ST3QIE449T-W22	\$30,081	I1	2904	1.15	281	96.2	56.338	460	
		1800	447/9T	25018ST3QIERB449T-W2	\$30,081	I1	2869	1.15	281	96.2	56.338	460	14
		1200	447/9T	25012ST3QIE449T-W22	\$39,415	I1	3190	1.15	292	95.8	56.338	460	
		1200	447/9T	25012ST3QIERB449T-W2	\$39,415	I1	2702	1.15	292	95.8	56.338	460	14
300	220	1800	447/9T	30018ST3QIE449T-W22	\$36,810	I1	3102	1.15	330	96.2	56.338	460	
		1800	447/9T	30018ST3QIERB449T-W2	\$36,810	I1	3130	1.15	330	96.2	56.338	460	14
		1200	L447/9T	30012ST3QIE449T-W22	\$44,648	I1	3645	1.15	351	95.8	57.181	460	43
		1200	L447/9T	30012ST3QIERB449T-W2	\$44,648	I1	3571	1.15	351	95.8	57.181	460	14;43
350	260	1800	L447/9T	35018ST3QIE449T-W22	\$44,105	I1	3580	1.15	394	96.2	57.181	460	43
		1800	L447/9T	35018ST3QIERB449T-W2	\$44,105	I1	3580	1.15	394	96.2	57.181	460	14;43
		1200	L447/9T	35012ST3QIE449T-W22	\$52,634	I1	3824	1.15	415	95.8	57.181	460	43, 37
		1200	L447/9T	35012ST3QIERB449T-W2	\$52,634	I1	3756	1.15	415	95.8	57.181	460	14;43
400	300	1800	L447/9T	40018ST3QIE449T-W22	\$48,396	I1	3467	1.15	455	96.2	57.181	460	43
		1800	L447/9T	40018ST3QIERB449T-W2	\$48,396	I1	3467	1.15	455	96.2	57.181	460	14;43

Three-Phase General Purpose Motors

Please refer to back cover for description of "NOTES"

For detailed specifications, data sheets, drawings and performance curves visit <http://www.weg.net>

Data subject to change without notice.

Can't find what you are looking for? Call 1-800-ASK-4WEG (275-4934)

Three-Phase General Purpose Motors



IEEE 841 - Three-Phase

TEFC - C-Face - Foot Mount

Three-Phase
General Purpose
Motors

HP	kW	RPM	Frame	Catalog Number	List Price	Mult. Symbol	Approx. Shipping Weight (lbs)	Service Factor	FL Amps @ High	FL. Eff (%)	"C" Dimension (in)	Voltage (V)	Notes
1	0.75	1800	143/5TC	00118ST3QIE143TC-W22	\$972	I1	55	1.25	1.47	85.5	13.358	460	
		1200	143/5TC	00112ST3QIE145TC-W22	\$1,112	I1	63	1.25	1.73	82.5	13.358	460	
1.5	1.1	3600	143/5TC	00156ST3QIE143TC-W22	\$1,031	I1	57	1.25	1.96	84.0	13.358	460	
		1800	143/5TC	00158ST3QIE145TC-W22	\$1,031	I1	61	1.25	2.02	86.5	13.358	460	
		1200	182/4TC	00152ST3QIE182TC-W22	\$1,351	I1	112	1.25	2.54	87.5	15.860	460	
		900	182/4TC	00159ST3QIE184TC-W22	\$2,081	I1	116	1.25	2.70	82.5	15.860	460	
2	1.5	3600	143/5TC	00236ST3QIE145TC-W22	\$1,073	I1	62	1.25	2.56	85.5	13.358	460	
		1800	143/5TC	00218ST3QIE145TC-W22	\$1,073	I1	62	1.25	2.76	86.5	13.358	460	
		1200	182/4TC	00212ST3QIE184TC-W22	\$1,428	I1	117	1.25	3.22	88.5	15.860	460	39
		900	213/5TC	00209ST3QIE213TC-W22	\$2,781	I1	185	1.25	3.39	85.5	19.517	460	
3	2.2	3600	182/4TC	00336ST3QIE182TC-W22	\$1,332	I1	113	1.25	3.63	86.5	15.860	460	
		1800	182/4TC	00318ST3QIE182TC-W22	\$1,289	I1	109	1.25	3.91	89.5	15.860	460	
		1200	213/5TC	00312ST3QIE213TC-W22	\$1,617	I1	178	1.25	4.41	89.5	19.517	460	
		900	213/5TC	00309ST3QIE215TC-W22	\$2,963	I1	181	1.25	4.55	85.5	19.517	460	
5	3.7	3600	182/4TC	00536ST3QIE184TC-W22	\$1,494	I1	120	1.25	5.90	88.5	15.860	460	
		1800	182/4TC	00518ST3QIE184TC-W22	\$1,436	I1	119	1.25	6.45	89.5	15.860	460	
		1200	213/5TC	00512ST3QIE215TC-W22	\$1,981	I1	194	1.25	6.83	89.5	19.517	460	
		900	254/6TC	00509ST3QIE254TC-W22	\$4,363	I1	309	1.25	7.58	87.5	24.945	460	
7.5	5.5	3600	213/5TC	00736ST3QIE213TC-W22	\$1,831	I1	177	1.25	8.76	89.5	19.517	460	
		1800	213/5TC	00718ST3QIE213TC-W22	\$1,726	I1	189	1.25	9.18	91.7	19.517	460	
		1200	254/6TC	00712ST3QIE254TC-W22	\$2,664	I1	325	1.25	9.48	91.0	24.945	460	
		900	254/6TC	00709ST3QIE256TC-W22	\$5,160	I1	321	1.25	11.1	87.5	24.945	460	
10	7.5	3600	213/5TC	01036ST3QIE215TC-W22	\$2,000	I1	195	1.25	11.6	90.2	19.517	460	
		1800	213/5TC	01018ST3QIE215TC-W22	\$1,840	I1	203	1.25	12.4	91.7	19.517	460	
		1200	254/6TC	01012ST3QIE256TC-W22	\$2,954	I1	340	1.25	12.9	91.0	24.945	460	
		900	284/6TC	01009ST3QIE284TC-W22	\$6,136	I1	400	1.25	13.4	90.2	27.929	460	
15	11	3600	254/6TC	01536ST3QIE254TC-W22	\$2,548	I1	306	1.25	17.2	91.0	24.945	460	
		1800	254/6TC	01518ST3QIE254TC-W22	\$2,377	I1	355	1.25	18.0	92.4	24.945	460	
		1200	284/6TC	01512ST3QIE284TC-W22	\$4,403	I1	434	1.25	17.9	91.7	27.929	460	
		900	284/6TC	01509ST3QIE286TC-W22	\$6,942	I1	444	1.25	19.4	90.2	27.929	460	
20	15	3600	254/6TC	02036ST3QIE256TC-W22	\$3,077	I1	332	1.25	23.2	91.0	24.945	460	
		1800	254/6TC	02018ST3QIE256TC-W22	\$2,717	I1	404	1.25	24.1	93.0	24.945	460	
		1200	284/6TC	02012ST3QIE286TC-W22	\$4,973	I1	465	1.25	24.2	91.7	27.929	460	
		900	324/6TC	02009ST3QIE324TC-W22	\$8,494	I1	482	1.25	28.3	91.0	31.116	460	
25	18.5	3600	284/6TSC	02536ST3QIE284TSC-W2	\$3,568	I1	389	1.25	28.5	91.7	26.557	460	
		1800	284/6TC	02518ST3QIE284TC-W22	\$3,126	I1	456	1.25	29.5	93.6	27.929	460	
		1200	324/6TC	02512ST3QIE324TC-W22	\$5,436	I1	603	1.25	30.4	93.0	31.116	460	
		900	324/6TC	02509ST3QIE326TC-W22	\$9,063	I1	539	1.25	35.9	91.0	31.116	460	
30	22	3600	284/6TSC	03036ST3QIE286TSC-W2	\$3,999	I1	441	1.25	33.8	91.7	26.557	460	
		1800	284/6TC	03018ST3QIE286TC-W22	\$3,709	I1	493	1.25	35.1	93.6	27.929	460	
		1200	324/6TC	03012ST3QIE326TC-W22	\$5,584	I1	646	1.25	35.8	93.0	31.116	460	
		900	364/5TC	03009ST3QIE364TC-W22	\$13,524	I1	917	1.25	37.0	92.4	34.251	460	

continued on next page

Please refer to back cover for description of "NOTES"

For detailed specifications, data sheets, drawings and performance curves visit <http://www.weg.net>

TEFC - C-Face - Foot Mount - *continued*

HP	kW	RPM	Frame	Catalog Number	List Price	Mult. Symbol	Approx. Shipping Weight (lbs)	Service Factor	FL Amps @ High	FL Eff (%)	"C" Dimension (in)	Voltage (V)	Notes
40	30	3600	324/6TSC	04036ST3QIE324TSC-W2	\$5,531	I1	602	1.25	45.8	92.4	29.616	460	
		1800	324/6TC	04018ST3QIE324TC-W22	\$4,917	I1	633	1.25	47.1	94.1	31.116	460	
		1200	364/5TC	04012ST3QIE364TC-W22	\$9,011	I1	1032	1.25	46.5	94.1	34.251	460	
		900	364/5TC	04009ST3QIE365TC-W22	\$15,284	I1	990	1.25	50.3	92.4	34.251	460	
50	37	3600	324/6TSC	05036ST3QIE326TSC-W2	\$6,195	I1	627	1.25	56.1	93.0	29.616	460	
		1800	324/6TC	05018ST3QIE326TC-W22	\$5,458	I1	651	1.25	59.2	94.5	31.116	460	
		1200	364/5TC	05012ST3QIE365TC-W22	\$9,744	I1	983	1.25	57.4	94.1	34.251	460	
		900	404/5TC	05009ST3QIE404TC-W22	\$19,856	I1	1132	1.25	60.0	93.0	39.730	460	
60	45	1200	404/5TC	06012ST3QIE404TC-W22	\$12,315	I1	1156	1.25	69.5	94.5	39.730	460	



TEFC - C-Face - Footless

HP	kW	RPM	Frame	Catalog Number	List Price	Mult. Symbol	Approx. Shipping Weight (lbs)	Service Factor	FL Amps @ High	FL Eff (%)	"C" Dimension (in)	Voltage (V)	Notes
1	0.75	1800	143/5TC	00118ST3QIER143TC-W2	\$1,000	I1	54	1.25	1.47	85.5	14.066	460	15
1.5	1.1	1800	143/5TC	00158ST3QIER145TC-W2	\$1,061	I1	62	1.25	2.02	86.5	14.066	460	15
2	1.5	1800	143/5TC	00218ST3QIER145TC-W2	\$1,104	I1	63	1.25	2.76	86.5	14.066	460	15
3	2.2	1800	182/4TC	00318ST3QIER182TC-W2	\$1,326	I1	110	1.25	3.91	89.5	17.080	460	15;39
5	3.7	1800	182/4TC	00518ST3QIER184TC-W2	\$1,478	I1	119	1.25	6.45	89.5	17.080	460	15
7.5	5.5	1800	213/5TC	00718ST3QIER213TC-W2	\$1,776	I1	177	1.25	9.18	91.7	21.269	460	15
10	7.5	1800	213/5TC	01018ST3QIER215TC-W2	\$1,893	I1	192	1.25	12.4	91.7	21.269	460	15

Please refer to back cover for description of "NOTES"

For detailed specifications, data sheets, drawings and performance curves visit <http://www.weg.net>

Data subject to change without notice.

Can't find what you are looking for? Call 1-800-ASK-4WEG (275-4934)

Three-Phase General Purpose Motors

BRAKE MOTORS

TEFC - Three-Phase - NEMA Premium®

WEG W22 brake motors consist of an induction motor coupled to a disc brake. Brake is of sturdy construction with few moving parts which guarantees long durability and minimum maintenance.



Standard Features:

- Class F insulation (Impregnation Resin and Magnet wire are class H)
- F1 Mounted
- Stainless Steel Nameplate - Laser etched with high contrast background
- Regreasable ball bearings (Frames 254T and up)
- 60HZ - 50HZ available with custom build

Note 1: If separate power supply to the Brake is required, (Such as on Motors operating with Variable Frequency Drive); 230V to the Brake module is mandatory, unless motor model contains "Q" (ex. 00118EP3EBMQ143T). For "Q" models, the input voltage to the Brake module is 460V AC.

Available as stock mod.

Features that make a difference:

- 1.25 Service Factor
- NPT Threaded terminal box
- Armature type brake
- Manual Release

Inverter Rated: ¹
1000:1 for variable torque
20:1 for constant torque

Brake Torques

Frame	N.m	lb.ft	Optional lb.ft
143/5T	16	12	17
182/4T	60	44	N/A
213/5T	125	59	92
254/6T	235	111	173
284/6T	400	192	254





Three-Phase General Purpose Motors

BRAKE MOTORS

TEFC - Foot Mount

Three-Phase
General Purpose
Motors

HP	kW	RPM	Frame	Catalog Number	List Price	Mult. Symbol	Approx. Shipping Weight (lbs)	Service Factor	FL Amps @ High	FL. Eff (%)	"C" Dimension (in)	Voltage (V)	Notes
1	0.75	1800	143/5T	00118ET3EBM143T-W22	\$1,494	B1	59	1.25	1.47	85.5	16.231	230/460	25
		1800	143/5T	00118ET3EBMQ143T-W22	\$1,654	B1	59	1.25	1.47	85.5	16.231	230/460	24;26
		1800	143/5T	00118ET3HBM143T-W22	\$1,494	B1	62	1.25	1.18	85.5	16.231	575	25
		1200	143/5T	00112ET3EBM145T-W22	\$1,587	B1	66	1.25	1.73	82.5	16.231	230/460	25
		900	182/4T	00109ET3EBM182T-W22	\$2,594	B1	126	1.25	2.30	78.5	19.314	230/460	25
1.5	1.1	3600	143/5T	00156ET3EBM143T-W22	\$1,501	B1	73	1.25	1.96	84.0	16.231	230/460	25
		1800	143/5T	00158ET3EBM145T-W22	\$1,569	B1	65	1.25	2.02	86.5	16.231	230/460	25
		1800	143/5T	00158ET3EBMQ145T-W22	\$1,729	B1	70	1.25	2.02	86.5	16.231	230/460	24;26
		1200	182/4T	00152ET3EBM182T-W22	\$2,264	B1	117	1.25	2.54	87.5	19.314	230/460	25
		900	182/4T	00159ET3EBM184T-W22	\$2,703	B1	156	1.25	2.70	82.5	19.314	230/460	25
2	1.5	3600	143/5T	00236ET3EBM145T-W22	\$1,501	B1	62	1.25	2.56	85.5	16.231	230/460	25
		1800	143/5T	00218ET3EBM145T-W22	\$1,594	B1	66	1.25	2.76	86.5	16.231	230/460	25
		1800	143/5T	00218ET3EBMQ145T-W22	\$1,754	B1	72	1.25	2.76	86.5	16.231	230/460	24;26
		1200	182/4T	00212ET3EBM184T-W22	\$2,369	B1	122	1.25	3.23	88.5	19.314	230/460	25
		900	213/5T	00209ET3EBM213T-W22	\$3,345	B1	217	1.25	3.39	85.5	23.188	230/460	25
3	2.2	3600	182/4T	00336ET3EBM182T-W22	\$2,290	B1	140	1.25	3.63	86.5	19.314	230/460	25
		1800	182/4T	00318ET3EBM182T-W22	\$2,052	B1	115	1.25	3.91	89.5	19.314	230/460	25
		1800	182/4T	00318ET3EBMQ182T-W22	\$2,212	B1	130	1.25	3.91	89.5	19.314	230/460	24;26
		1200	213/5T	00312ET3EBM213T-W22	\$3,220	B1	196	1.25	4.41	89.5	23.188	230/460	25
		900	213/5T	00309ET3EBM215T-W22	\$3,740	B1	259	1.25	4.55	85.5	23.188	230/460	25
5	3.7	3600	182/4T	00536ET3EBM184T-W22	\$2,343	B1	126	1.25	5.90	88.5	19.314	230/460	25
		1800	182/4T	00518ET3EBM184T-W22	\$2,291	B1	124	1.25	6.45	89.5	19.314	230/460	25
		1800	182/4T	00518ET3EBMQ184T-W22	\$2,451	B1	136	1.25	6.45	89.5	19.314	230/460	24;26
		1800	182/4T	00518ET3HBM184T-W22	\$2,291	B1	124	1.25	5.16	89.5	19.314	575	25
		1200	213/5T	00512ET3EBM215T-W22	\$3,406	B1	213	1.25	6.83	89.5	23.188	230/460	25
		900	254/6T	00509ET3EBM254T-W22	\$5,641	B1	358	1.25	7.58	87.5	29.839	230/460	25
		900	254/6T	00509ET3EBMQ254T-W22	\$5,801	B1	354	1.25	7.58	87.5	29.839	230/460	24;26
7.5	5.5	3600	213/5T	00736ET3EBM213T-W22	\$3,002	B1	200	1.25	8.76	89.5	23.188	230/460	25
		1800	213/5T	00718ET3EBM213T-W22	\$2,903	B1	215	1.25	9.18	91.7	23.188	230/460	25
		1200	254/6T	00712ET3EBM254T-W22	\$5,172	B1	377	1.25	9.48	91.0	29.839	230/460	25
		900	254/6T	00709ET3EBM256T-W22	\$6,415	B1	377	1.25	11.1	87.5	29.839	230/460	25
10	7.5	3600	213/5T	01036ET3EBM215T-W22	\$3,492	B1	238	1.25	11.6	90.2	23.188	230/460	25
		1800	213/5T	01018ET3EBM215T-W22	\$3,474	B1	221	1.25	12.4	91.7	23.188	230/460	25
		1800	213/5T	01018ET3HBM215T-W22	\$3,474	B1	200	1.25	9.92	91.7	23.188	575	25
		1200	254/6T	01012ET3EBM256T-W22	\$5,759	B1	367	1.25	12.9	91.0	29.839	230/460	25
15	11	3600	254/6T	01536ET3EBM254T-W22	\$4,745	B1	384	1.25	17.2	91.0	29.839	230/460	25
		1800	254/6T	01518ET3EBM254T-W22	\$5,205	B1	407	1.25	18.0	92.4	29.839	230/460	25
		1800	254/6T	01518ET3EBMQ254T-W22	\$5,365	B1	407	1.25	18.0	92.4	29.839	230/460	24;26
		1800	254/6T	01518ET3HBM254T-W22	\$5,205	B1	369	1.25	14.4	92.4	29.839	575	25
20	15	3600	254/6T	02036ET3EBM256T-W22	\$5,768	B1	424	1.25	23.2	91.0	29.839	230/460	25
		1800	254/6T	02018ET3EBM256T-W22	\$5,771	B1	456	1.25	24.1	93.0	29.839	230/460	25
25	18.5	1800	284/6T	02518ET3EBM284T-W22	\$6,796	B1	520	1.25	29.5	93.6	32.976	230/460	25
30	22	1800	284/6T	03018ET3EBM286T-W22	\$7,276	B1	558	1.25	35.1	93.6	32.976	230/460	25

Please refer to back cover for description of "NOTES"

For detailed specifications, data sheets, drawings and performance curves visit <http://www.weg.net>

Data subject to change without notice.

Can't find what you are looking for? Call 1-800-ASK-4WEG (275-4934)

Three-Phase General Purpose Motors



BRAKE MOTORS

TEFC - C-Face - Foot Mount

Three-Phase
General Purpose
Motors

HP	kW	RPM	Frame	Catalog Number	List Price	Mult. Symbol	Approx. Shipping Weight (lbs)	Service Factor	FL Amps @ High	FL. Eff (%)	"C" Dimension (in)	Voltage (V)	Notes
1	0.75	1800	143/5TC	00118ET3EBMQ143TC-W2	\$1,682	B1	61	1.25	1.47	85.5	16.231	230/460	24;26
1.5	1.1	1800	143/5TC	00158ET3EBMQ145TC-W2	\$1,757	B1	70	1.25	2.02	86.5	16.231	230/460	24;26
2	1.5	1800	143/5TC	00218ET3EBMQ145TC-W2	\$1,782	B1	72	1.25	2.76	86.5	16.231	230/460	24;26
3	2.2	1800	182/4TC	00318ET3EBMQ182TC-W2	\$2,250	B1	119	1.25	3.91	89.5	19.314	230/460	24;26
5	3.7	1800	182/4TC	00518ET3EBMQ184TC-W2	\$2,489	B1	136	1.25	6.45	89.5	19.314	230/460	24;26

Please refer to back cover for description of "NOTES"

For detailed specifications, data sheets, drawings and performance curves visit [http:// www.weg.net](http://www.weg.net)



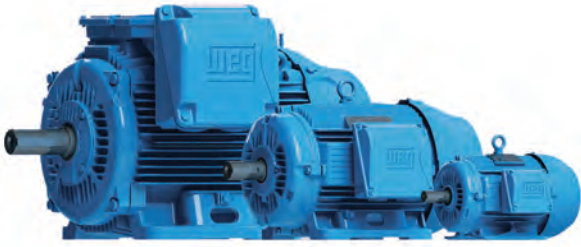
Global presence means:
We are there.
Global service means:
We are there for you.

WEG is known for its global sales and service capabilities which allow us to provide custom solutions all over the world. With a full range of IEC/NEMA Global Certifications and a full-line of low, medium, and high voltage motors, WEG can supply the right motor for your needs anywhere in the world. To learn more about our global certifications and solutions or to locate a U.S. Distributor near you, call 1-800-ASK-4WEG.

Transforming energy into solutions. www.weg.net

Three-Phase General Purpose Motors

IEC TRU-METRIC™ - Three Phase



W22 Cast Iron



Aluminum

TEFC

This line is designed and built according to European IEC34 and IEC79 standards.

Standard Features:

- 60 Hz (1.15 Service Factor) and 50 Hz (1.0 Service Factor)
- Class F insulation (Impregnation Resin and Magnet wire are class H)
- F2 mounted as standard (F1 convertible)
- Stainless Steel Nameplate - Laser etched with High contrast background
- Regreasable ball bearings (Frames 160 and up)
- Gasketed conduit box
- Class I, Div. 2, Groups A, B, C & D – T3, Class II, Div 2, Groups F & G – T3C (Cast Iron Frames only)
- Suitable for WYE/Delta Start (W and Y voltage code motors)

Features that make a difference:

- 1.25 Service Factor for 60 Hz operation (IE3)
- Optimized ventilation system for cooler operation and lower noise levels
- Solid base for lower vibration levels (Cast Iron Frames)
- Frames 225 and up can easily be F1 (B3L) converted by rotating the terminal box adapter or F3 by removing it
- Aluminum frames have removable feet for easy F1, F2 and F3 (B3L, B3R, B3T) conversion
- Terminal blocks

ADDITIONAL TECHNICAL DATA

ELECTRICAL DATA: B-42

MECHANICAL DATA: B-106

*Inverter Rated:

1000:1 for variable torque

12:1 for constant torque

Excludes 660-690V

** Insulated NDE bearing housing standard on 315L and above*





Three-Phase General Purpose Motors

IEC TRU-Metric™

TEFC - Foot Mount

Three-Phase
General Purpose
Motors

HP	kW	RPM	Frame	Catalog Number	List Price	Mult. Symbol	Approx. Shipping Weight (lbs)	Service Factor	FL Amps @ High	FL Eff (%)	"C" Dimension (in)	Voltage (V)	Notes
0.25	0.18	3600//3000	63	.1836EP3EAL63-W22	\$280	T1	14	1.15	0.48	68.0	8.504	230/460//190/380	2;7
		1800//1500	63	.1818EP3EAL63-W22	\$267	T1	16	1.15	0.51	69.0	8.504	230/460//190/380	2;7
		1200//1000	71	.1812EP3EAL71-W22	\$338	T1	22	1.15	0.77	61.0	9.764	230/460//190/380	2;7
		900//750	80	.1809EP3EAL80-W22	\$540	T1	30	1.15	0.80	50.5	10.866	230/460//190/380	2;7
		900//750	80	.1809EP3WAL80-W22	\$540	T1	28	1.15	0.80	50.5	10.866	460//220-240/380-415	2;7
0.33	0.25	3600//3000	63	.2536EP3EAL63-W22	\$286	T1	16	1.15	0.62	70.0	8.504	230/460//190/380	2;7
		1800//1500	71	.2518EP3EAL71-W22	\$282	T1	24	1.15	0.68	73.0	9.764	230/460//190/380	2;7
		1200//1000	71	.2512EP3EAL71-W22	\$363	T1	24	1.15	1.00	64.0	9.764	230/460//190/380	2;7
		900//750	80	.2509EP3EAL80-W22	\$583	T1	29	1.15	0.87	57.5	10.866	230/460//190/380	2;7
		900//750	80	.2509EP3WAL80-W22	\$583	T1	32	1.15	0.87	57.5	10.866	460//220-240/380-415	2;7
0.5	0.37	3600//3000	71	.3736EP3EAL71-W22	\$309	T1	22	1.15	0.83	73.0	9.764	230/460//190/380	2;7
		1800//1500	71	.3718EP3EAL71-W22	\$290	T1	24	1.15	1.06	73.0	9.764	230/460//190/380	2;7
		1200//1000	80	.3712EP3EAL80-W22	\$378	T1	27	1.15	1.07	64.0	10.866	230/460//190/380	2;7
		900//750	90S/L	.3709EP3EAL90S-W22	\$662	T1	40	1.15	1.35	61.5	12.953	230/460//190/380	2;7
		900//750	90S/L	.3709EP3WAL90S/L-W22	\$662	T1	40	1.15	1.35	61.5	12.953	460//220-240/380-415	2;7
0.75	0.55	3600//3000	71	.5536EP3EAL71-W22	\$316	T1	23	1.15	1.14	76.0	9.764	230/460//190/380	2;7
		1800//1500	80	.5518EP3EAL80-W22	\$333	T1	28	1.15	1.25	77.0	10.866	230/460//190/380	2;7
		1200//1000	80	.5512EP3EAL80-W22	\$405	T1	32	1.15	1.63	66.0	10.866	230/460//190/380	2;7
		900//750	90S/L	.5509EP3EAL90L-W22	\$696	T1	46	1.15	2.12	62.5	12.953	230/460//190/380	2;7
		900//750	90S/L	.5509EP3WAL90S/L-W22	\$696	T1	58	1.15	2.12	62.5	12.953	460//220-240/380-415	2;7
1	0.75	3600//3000	80	.7536ET3WAL80-W22	\$397	T1	27	1.25	1.43	81.5	10.866	460//220-240/380-415	2;7
		1800//1500	90S/L	.7518ET3EAL90S/L-W22	\$420	T1	42	1.25	1.47	85.5	12.953	230/460//190/380	2;7
		1800//1500	90S/L	.7518ET3WAL90S/L-W22	\$420	T1	43	1.25	1.47	85.5	12.953	460//220-240/380-415	2;7
		1200//1000	90S/L	.7512ET3EAL90S-W22	\$537	T1	47	1.25	1.68	82.5	12.953	230/460//190/380	2;7
		1200//1000	90S/L	.7512ET3WAL90S-W22	\$537	T1	51	1.25	1.68	82.5	12.953	460//220-240/380-415	2;7
		900//750	100L	.7509ET3EAL100L-W22	\$869	T1	68	1.25	2.11	75.5	14.803	230/460//190/380	2;7
1.5	1.1	3600//3000	80	00136ET3EAL80-W22	\$444	T1	29	1.25	2.03	84.0	10.866	230/460//190/380	2;7
		3600//3000	80	00136ET3WAL80-W22	\$444	T1	30	1.25	2.03	84.0	10.866	460//220-240/380-415	2;7
		1800//1500	90S/L	00118ET3EAL90S-W22	\$470	T1	44	1.25	2.05	86.5	12.953	230/460//190/380	2;7
		1800//1500	90S/L	00118ET3WAL90S-W22	\$470	T1	44	1.25	2.05	86.5	12.953	460//220-240/380-415	2;7
		1200//1000	100L	00112ET3EAL100L-W22	\$746	T1	80	1.00	2.32	87.5	14.803	230/460//190/380	2;7
2	1.5	3600//3000	90S/L	00156ET3EAL90S-W22	\$504	T1	44	1.25	2.69	85.5	12.953	230/460//190/380	2;7
		3600//3000	90S/L	00156ET3WAL90S-W22	\$504	T1	44	1.25	2.69	85.5	12.953	460//220-240/380-415	2;7
		1800//1500	90S/L	00158ET3EAL90L-W22	\$524	T1	49	1.25	2.79	86.5	12.953	230/460//190/380	2;7
		1800//1500	90S/L	00158ET3WAL90L-W22	\$524	T1	49	1.25	2.79	86.5	12.953	460//220-240/380-415	2;7
		1200//1000	112M	00152ET3EAL112M-W22	\$923	T1	93	1.25	3.08	88.5	15.472	230/460//190/380	2;7
		1200//1000	112M	00152ET3WAL112M-W22	\$923	T1	93	1.25	3.08	88.5	15.472	460//220-240/380-415	2;7
		900//750	112M	00159ET3YAL112M-W22	\$1,001	T1	90	1.25	3.50	84.0	15.472	460//380-415/660-690	2;7
3	2.2	3600//3000	90S/L	00236ET3EAL90L-W22	\$756	T1	50	1.25	3.85	86.5	12.953	230/460//190/380	2;7
		3600//3000	90S/L	00236ET3WAL90L-W22	\$756	T1	49	1.25	3.85	86.5	12.953	460//220-240/380-415	2;7
		1800//1500	100L	00218ET3EAL100L-W22	\$630	T1	66	1.25	4.11	89.5	14.803	230/460//190/380	2;7
		1800//1500	100L	00218ET3WAL100L-W22	\$630	T1	66	1.25	4.11	89.5	14.803	460//220-240/380-415	2;7
		1200//1000	132S	00212ET3EAL132S-W22	\$1,166	T1	131	1.25	4.41	89.5	19.291	230/460//190/380	2;7
		1200//1000	132S	00212ET3YAL132S-W22	\$1,166	T1	136	1.25	4.41	89.5	19.291	460//380-415/660-690	2;7
		900//750	132S	00209ET3YAL132S-W22	\$1,412	T1	145	1.25	4.75	85.5	19.291	460//380-415/660-690	2;7

continued on next page

Refer to electrical and mechanical data sections for additional technical information. Please refer to back cover for description of "NOTES"

For detailed specifications, data sheets, drawings and performance curves visit <http://www.weg.net>

Data subject to change without notice.

Can't find what you are looking for? Call 1-800-ASK-4WEG (275-4934)

A-73

Three-Phase General Purpose Motors



IEC TRU-Metric™

TEFC - Foot Mount - continued

Three-Phase General Purpose Motors

HP	kW	RPM	Frame	Catalog Number	List Price	Mult. Symbol	Approx. Shipping Weight (lbs)	Service Factor	FL Amps @ High	FL Eff (%)	"C" Dimension (in)	Voltage (V)	Notes
4	3	3600/3000	100L	00336ET3EAL100L-W22	\$805	T1	65	1.25	5.01	88.5	14.803	230/460//190/380	2;7
		3600/3000	100L	00336ET3WAL100L-W22	\$805	T1	65	1.25	5.01	88.5	14.803	460//220-240/380-415	2;7
		1800//1500	100L	00318ET3EAL100L-W22	\$672	T1	77	1.25	5.33	89.5	14.803	230/460//190/380	2;7
		1800//1500	100L	00318ET3WAL100L-W22	\$672	T1	77	1.25	5.33	89.5	14.803	460//220-240/380-415	2;7
		1200//1000	132M	00312ET3EAL132M-W22	\$1,247	T1	137	1.25	6.01	89.5	19.291	230/460//190/380	2;7
		1200//1000	132M	00312ET3YAL132M-W22	\$1,247	T1	147	1.25	6.01	89.5	19.291	460//380-415/660-690	2;7
		900//750	132M	00309ET3EAL132M-W22	\$1,610	T1	193	1.25	6.29	85.5	19.291	230/460//190/380	2;7
		900//750	132M	00309ET3YAL132M-W22	\$1,610	T1	156	1.25	6.29	85.5	19.291	460//380-415/660-690	2;7
5.5	4	3600//3000	112M	00436ET3EAL112M-W22	\$874	T1	86	1.25	6.67	88.5	15.472	230/460//190/380	2;7
		3600//3000	112M	00436ET3YAL112M-W22	\$874	T1	86	1.25	6.67	88.5	15.472	460//380-415/660-690	2;7
		1800//1500	112M	00418ET3EAL112M-W22	\$679	T1	93	1.25	7.28	89.5	15.472	230/460//190/380	2;7
		1800//1500	112M	00418ET3YAL112M-W22	\$679	T1	93	1.25	7.28	89.5	15.472	460//380-415/660-690	2;7
		1200//1000	132M	00412ET3EAL132M-W22	\$1,254	T1	147	1.25	7.90	89.5	19.291	230/460//190/380	2;7
		1200//1000	132M	00412ET3YAL132M-W22	\$1,254	T1	147	1.25	7.90	89.5	19.291	460//380-415/660-690	2;7
		900//750	160M	00409ET3Y160M-W22	\$1,947	T1	299	1.25	8.17	86.5	23.543	460//380-415/660-690	7
7.5	5.5	3600//3000	132S	00536ET3EAL132S-W22	\$1,144	T1	136	1.25	8.97	89.5	19.291	230/460//190/380	2;7
		3600//3000	132S	00536ET3YAL132S-W22	\$1,144	T1	136	1.25	8.97	89.5	19.291	460//380-415/660-690	2;7
		1800//1500	132S	00518ET3EAL132S-W22	\$932	T1	142	1.25	9.07	91.7	19.291	230/460//190/380	2;7
		1800//1500	132S	00518ET3YAL132S-W22	\$932	T1	142	1.25	9.07	91.7	19.291	460//380-415/660-690	2;7
		1200//1000	160M	00512ET3Y160M-W22	\$1,760	T1	291	1.25	9.48	91.0	23.543	460//380-415/660-690	7
		900//750	160M	00509ET3Y160M-W22	\$2,244	T1	306	1.25	11.1	87.5	23.543	460//380-415/660-690	7
10	7.5	3600//3000	132S	00736ET3EAL132S-W22	\$1,292	T1	148	1.25	12.3	90.2	19.291	230/460//190/380	2;7
		3600//3000	132S	00736ET3YAL132S-W22	\$1,292	T1	147	1.25	12.3	90.2	19.291	460//380-415/660-690	2;7
		1800//1500	132M	00718ET3EAL132M-W22	\$1,110	T1	159	1.25	12.2	91.7	19.291	230/460//190/380	2;7
		1800//1500	132M	00718ET3YAL132M-W22	\$1,110	T1	159	1.25	12.2	91.7	19.291	460//380-415/660-690	2;7
		1200//1000	160M	00712ET3Y160M-W22	\$2,306	T1	306	1.25	13.1	91.0	23.543	460//380-415/660-690	7
		900//750	160L	00709ET3Y160L-W22	\$2,774	T1	352	1.25	15.2	88.5	25.276	460//380-415/660-690	7
15	11	3600//3000	160M	01136ET3Y160M-W22	\$2,102	T1	304	1.25	17.9	91.7	23.543	460//380-415/660-690	7
		1800//1500	160M	01118ET3Y160M-W22	\$1,726	T1	321	1.25	18.2	92.4	23.543	460//380-415/660-690	7
		1200//1000	160L	01112ET3Y160L-W22	\$3,160	T1	354	1.25	18.8	91.7	25.276	460//380-415/660-690	7
		900//750	180L	01109ET3Y180L-W22	\$4,031	T1	419	1.25	19.5	89.5	27.638	460//380-415/660-690	7
20	15	3600//3000	160M	01536ET3Y160M-W22	\$2,413	T1	320	1.25	24.4	91.7	23.543	460//380-415/660-690	7
		1800//1500	160L	01518ET3Y160L-W22	\$2,118	T1	375	1.25	25.0	93.0	25.276	460//380-415/660-690	7
		1200//1000	180L	01512ET3Y180L-W22	\$3,884	T1	447	1.25	24.7	91.7	27.638	460//380-415/660-690	7
		900//750	200L	01509ET3Y200L-W22	\$5,158	T1	517	1.25	28.0	91.0	30.197	460//380-415/660-690	7
25	18.5	3600//3000	160L	01836ET3Y160L-W22	\$2,925	T1	353	1.25	29.9	92.4	25.276	460//380-415/660-690	7
		1800//1500	180M	01818ET3Y180M-W22	\$2,689	T1	436	1.25	30.6	93.6	26.142	460//380-415/660-690	7
		1200//1000	200L	01812ET3Y200L-W22	\$4,886	T1	552	1.25	30.8	93.0	30.197	460//380-415/660-690	7
		900//750	225S/M	01809ET3Y225S/M-W22	\$5,902	T1	830	1.25	31.6	93.0	34.882	460//380-415/660-690	7
30	22	3600//3000	180M	02236ET3Y180M-W22	\$3,492	T1	424	1.25	34.7	92.4	26.142	460//380-415/660-690	7
		1800//1500	180L	02218ET3Y180L-W22	\$3,225	T1	457	1.25	36.0	93.6	27.638	460//380-415/660-690	7
		1200//1000	200L	02212ET3Y200L-W22	\$4,924	T1	601	1.25	37.1	93.0	30.197	460//380-415/660-690	7
		900//750	225S/M	02209ET3Y225S/M-W22	\$7,506	T1	885	1.25	37.6	93.0	34.882	460//380-415/660-690	7

continued on next page

Please refer to back cover for description of "NOTES"

For detailed specifications, data sheets, drawings and performance curves visit <http://www.weg.net>



TEFC - Foot Mount - *continued*

Three-Phase
General Purpose
Motors

HP	kW	RPM	Frame	Catalog Number	List Price	Mult. Symbol	Approx. Shipping Weight (lbs)	Service Factor	FL Amps @ High	FL. Eff (%)	"C" Dimension (in)	Voltage (V)	Notes
40	30	3600//3000	200L	03036ET3Y200L-W22	\$4,877	T1	575	1.25	47.1	93.0	30.197	460//380-415/660-690	7
		1800//1500	200L	03018ET3Y200L-W22	\$4,312	T1	580	1.25	49.4	94.1	30.197	460//380-415/660-690	7
		1200//1000	225S/M	03012ET3Y225S/M-W22	\$7,689	T1	1055	1.25	47.6	94.1	34.882	460//380-415/660-690	7
		900//750	250S/M	03009ET3Y250S/M-W22	\$8,858	T1	1078	1.25	50.9	93.6	37.992	460//380-415/660-690	7
50	37	3600//3000	200L	03736ET3Y200L-W22	\$5,487	T1	587	1.25	61.3	93.6	30.197	460//380-415/660-690	7
		1800//1500	225S/M	03718ET3Y225S/M-W22	\$6,984	T1	1041	1.25	58.5	94.5	34.882	460//380-415/660-690	7
		1200//1000	250S/M	03712ET3Y250S/M-W22	\$9,947	T1	1266	1.25	58.8	94.1	37.992	460//380-415/660-690	7
		900//750	280S/M	03709ET3Y280S/M-W22	\$11,751	T1	1481	1.25	64.1	94.1	42.165	460//380-415/660-690	7
60	45	3600//3000	225S/M	04536ET3Y225S/M-W22	\$7,961	T1	1053	1.25	66.7	94.1	33.701	460//380-415/660-690	7
		1800//1500	225S/M	04518ET3Y225S/M-W22	\$7,391	T1	1022	1.25	69.9	95.0	34.882	460//380-415/660-690	7
		1200//1000	280S/M	04512ET3Y280S/M-W22	\$11,023	T1	1681	1.25	74.7	94.5	42.165	460//380-415/660-690	7
		900//750	280S/M	04509ET3Y280S/M-W22	\$12,815	T1	1631	1.25	77.0	94.1	42.165	460//380-415/660-690	7
75	55	3600//3000	250S/M	05536ET3Y250S/M-W22	\$9,847	T1	1259	1.25	80.3	94.5	37.992	460//380-415/660-690	7
		1800//1500	250S/M	05518ET3Y250S/M-W22	\$8,961	T1	1206	1.25	85.1	95.4	37.992	460//380-415/660-690	7
		1200//1000	280S/M	05512ET3Y280S/M-W22	\$13,622	T1	1794	1.25	90.2	94.5	42.165	460//380-415/660-690	7
		900//750	315S/M	05509ET3Y315S/M-W22	\$15,379	T1	2436	1.25	93.7	94.5	50.157	460//380-415/660-690	7
100	75	3600//3000	280S/M	07536ET3Y280S/M-W22	\$12,472	T1	1776	1.25	111	94.5	42.165	460//380-415/660-690	7
		1800//1500	280S/M	07518ET3Y280S/M-W22	\$12,353	T1	1738	1.25	116	95.4	42.165	460//380-415/660-690	7
		1200//1000	315S/M	07512ET3Y315S/M-W22	\$16,479	T1	2399	1.25	122	95.0	50.157	460//380-415/660-690	7
		900//750	315S/M	07509ET3Y315S/M-W22	\$18,647	T1	2701	1.25	127	95.0	50.157	460//380-415/660-690	7
125	90	3600//3000	280S/M	09036ET3Y280S/M-W22	\$16,720	T1	1862	1.25	132	95.0	42.165	460//380-415/660-690	7
		1800//1500	280S/M	09018ET3Y280S/M-W22	\$15,220	T1	1835	1.25	139	95.4	42.165	460//380-415/660-690	7
		1200//1000	315S/M	09012ET3Y315S/M-W22	\$19,448	T1	2601	1.25	146	95.4	50.157	460//380-415/660-690	7
		900//750	315S/M	09009ET3Y315S/M-W22	\$21,288	T1	2884	1.25	152	95.0	50.157	460//380-415/660-690	7
150	110	3600//3000	315S/M	11036ET3Y315S/M-W22	\$21,018	T1	2382	1.25	163	95.0	48.976	460//380-415/660-690	7
		1800//1500	280S/M	11018ET3Y280S/M-W22	\$17,078	T1	2210	1.25	170	95.8	42.165	460//380-415/660-690	7
		1200//1000	315S/M	11012ET3Y315S/M-W22	\$22,507	T1	2730	1.25	178	95.8	50.157	460//380-415/660-690	7
		900//750	315L	11009ET3Y315L-W22	\$27,910	T1	3008	1.25	186	95.4	54.685	460//380-415/660-690	7;43
175	132	3600//3000	315S/M	13236ET3Y315S/M-W22	\$23,180	T1	2662	1.25	193	95.4	48.976	460//380-415/660-690	7
		1800//1500	315S/M	13218ET3Y315S/M-W22	\$19,732	T1	2540	1.25	203	96.2	50.157	460//380-415/660-690	7
		1200//1000	315S/M	13212ET3Y315S/M-W22	\$25,642	T1	3031	1.25	214	95.8	50.157	460//380-415/660-690	7
		900//750	315L	13209ET3Y315L-W22	\$33,687	T1	3796	1.25	223	95.4	54.685	460//380-415/660-690	7;43
200	150	3600//3000	315S/M	15036ET3Y315S/M-W22	\$26,249	T1	2682	1.25	219	95.4	48.976	460//380-415/660-690	7
		1800//1500	315S/M	15018ET3Y315S/M-W22	\$21,772	T1	2784	1.25	228	96.2	50.157	460//380-415/660-690	7
		1200//1000	315L	15012ET3Y315L-W22	\$28,298	T1	3557	1.15	240	95.8	54.685	460//380-415/660-690	7;43
250	185	3600//3000	315S/M	18536ET3Y315S/M-W22	\$26,529	T1	2900	1.25	269	95.8	48.976	460//380-415/660-690	7
		1800//1500	315S/M	18518ET3Y315S/M-W22	\$26,247	T1	2948	1.25	284	96.2	50.157	460//380-415/660-690	7
		1200//1000	355M/L	18512ET3Y355M/L-W22	\$43,876	T1	3666	1.15	311	95.8	58.346	460//380-415/660-690	7
300	220	3600//3000	315L	22036ET3Y315L-W22	\$44,212	T1	3468	1.25	315	96.2	53.268	460//380-415/660-690	7;43
		1800//1500	315L	22018ET3Y315L-W22	\$36,234	T1	3113	1.25	338	96.2	54.685	460//380-415/660-690	7;43
		1200//1000	355M/L	22012ET3Y355M/L-W22	\$46,322	T1	4507	1.15	370	95.8	58.346	460//380-415/660-690	7;43
350	260	3600//3000	355M/L	26036ET3Y355M/L-W22	\$50,637	T1	4975	1.15	373	96.2	55.591	460//380-415/660-690	7;43
		1800//1500	355M/L	26018ET3Y355M/L-W22	\$43,761	T1	4218	1.15	399	96.2	58.346	460//380-415/660-690	7;43
		1200//1000	355M/L	26012ET3Y355M/L-W22	\$53,001	T1	5075	1.15	436	95.9	58.346	460//380-415/660-690	7;43
400	300	3600//3000	355M/L	30036ET3Y355M/L-W22	\$66,321	T1	4034	1.15	315	96.2	55.591	460//380-415/660-690	7;43
		1800//1500	355M/L	30018ET3Y355M/L-W22	\$60,292	T1	4337	1.00	466	96.2	58.346	460//380-415/660-690	7;43
450	330	1800//1500	355M/L	33018ET3Y355M/L-W22	\$64,557	T1	4906	1.15	505	96.5	58.346	460//380-415/660-690	7;43

Please refer to back cover for description of "NOTES"

For detailed specifications, data sheets, drawings and performance curves visit <http://www.weg.net>

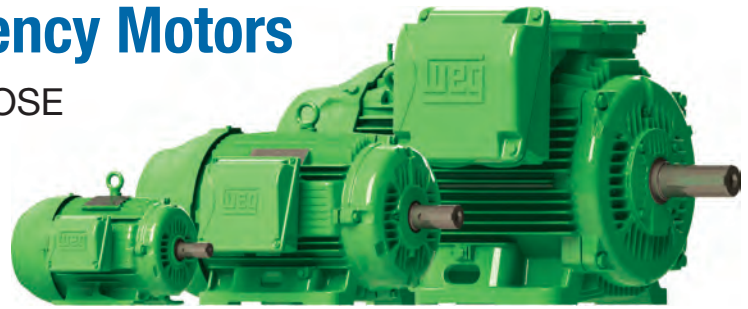
Data subject to change without notice.

Can't find what you are looking for? Call 1-800-ASK-4WEG (275-4934)

Super Premium Efficiency Motors

SEVERE DUTY GENERAL PURPOSE

Three-Phase



Super Premium
Efficiency Motors

TEFC

Super Premium Efficiency motors offer high performance with maximum energy efficiency. This motor provides high efficiency and low cost of ownership throughout the entire motor lifetime. This design maximizes performance and energy savings.

WEG's W22 Super Premium cast iron platform has a superior cooling system and solid feet for cooler operation and minimal vibration and noise extending the life of the motor.

Standard Features:

- 50/60 Hz rated (380V on Nameplate - 400/415 Available - Same Horsepower at 50 Hz with a 1.0 Service Factor)
- Class F insulation (Impregnation Resin and Magnet wire are class H)
- NEMA design A. All ratings Exceed NEMA design C for motors 15HP and above
- F1 Mounted (Cast Iron frames 254T and larger are F2 convertible)
- Stainless Steel Nameplate - Laser etched with high contrast background
- Regreasable ball bearings (Frames 254T and up)
- Gasketed conduit box
- Class I, Div. 2, Groups A, B, C & D – T3, Class II, Div 2, Groups F & G – T3C

Features that make a difference:

- Super Premium efficiency exceeding NEMA Premium® levels
- 1.25 Service Factor in all ratings
- Optimized ventilation system for cooler operation and low noise levels.
- Solid base for lower vibration levels
- Frames 447T and up can easily be F2 converted by rotating the terminal box adapter
- NPT Threaded terminal box

Inverter Rated:
1000 : 1 for variable torque
20 : 1 for constant torque

ADDITIONAL TECHNICAL DATA

ELECTRICAL DATA: B-48

MECHANICAL DATA: B-68





Super Premium Efficiency Motors

SEVERE DUTY - GENERAL PURPOSE - Three-Phase

TEFC - Foot Mount

HP	KW	RPM	Frame	Catalog Number	List Price	Mult. Symbol	Approx. Shipping Weight (lbs)	Service Factor	FL Amps @ High	FL. Eff (%)	"C" Dimension (in)	Voltage (V)	Notes
1	0.75	3600	143/5T	00136EG3E143T-W22	\$569	N1	48	1.25	1.35	84.0	13.358	230/460	36;37
		1800	143/5T	00118EG3E143T-W22	\$580	N1	56	1.25	1.33	87.5	13.358	230/460	36;37
1.5	1.1	3600	143/5T	00156EG3E143T-W22	\$597	N1	51	1.25	1.92	86.5	13.358	230/460	36;37
		1800	L143/5T	00158EG3EL145T-W22	\$606	N1	64	1.25	1.93	88.5	14.566	230/460	36;37;39
2	1.5	3600	143/5T	00236EG3E145T-W22	\$650	N1	56	1.25	2.56	87.5	13.358	230/460	36;37
		1800	L143/5T	00218EG3EL145T-W22	\$673	N1	64	1.25	2.63	88.5	14.566	230/460	36;37;39
3	2.2	3600	182/4T	00336EG3E182T-W22	\$839	N1	98	1.25	3.67	88.5	15.860	230/460	36;37
		1800	182/4T	00318EG3E182T-W22	\$729	N1	103	1.25	3.75	91.0	15.860	230/460	36;37
		1200	213/5T	00312EG3E213T-W22	\$1,242	N1	184	1.25	4.31	90.2	19.517	230/460	36;37
5	3.7	3600	182/4T	00536EG3E184T-W22	\$960	N1	106	1.25	5.99	90.2	15.860	230/460	36;37
		1800	L182/4T	00518EG3EL184T-W22	\$849	N1	118	1.25	6.38	91.0	17.041	230/460	36;37;39
		1200	L213/5T	00512EG3EL215T-W22	\$1,465	N1	207	1.25	6.80	91.0	20.461	230/460	36;37;39
7.5	5.5	3600	213/5T	00736EG3E213T-W22	\$1,238	N1	169	1.25	8.82	91.0	19.517	230/460	36;37
		1800	213/5T	00718EG3E213T-W22	\$1,198	N1	186	1.25	8.94	93.0	19.517	230/460	36;37
		1200	254/6T	00712EG3E254T-W22	\$2,272	N1	356	1.25	9.46	92.4	24.945	230/460	36;37
10	7.5	3600	213/5T	01036EG3E215T-W22	\$1,465	N1	193	1.25	11.5	91.7	19.517	230/460	36;37
		1800	L213/5T	01018EG3EL215T-W22	\$1,400	N1	209	1.25	12.0	93.0	20.461	230/460	36;37;39
		1200	254/6T	01012EG3E256T-W22	\$2,636	N1	387	1.25	12.7	92.4	24.945	230/460	36;37
15	11	3600	254/6T	01536EG3E254T-W22	\$2,006	N1	340	1.25	17.4	92.4	24.945	230/460	36;37
		1800	254/6T	01518EG3E254T-W22	\$2,033	N1	365	1.25	17.8	93.6	24.945	230/460	36;37
		1200	284/6T	01512EG3E284T-W22	\$3,620	N1	449	1.25	18.1	93.0	27.929	230/460	36;37
20	15	3600	254/6T	02036EG3E256T-W22	\$2,620	N1	373	1.25	23.0	93.0	24.945	230/460	36;37
		1800	254/6T	02018EG3E256T-W22	\$2,421	N1	396	1.25	24.7	94.1	24.945	230/460	36;37
		1200	284/6T	02012EG3E286T-W22	\$4,358	N1	495	1.25	24.4	93.0	27.929	230/460	36;37
25	18.5	3600	284/6TS	02536EG3E284TS-W22	\$3,298	N1	435	1.25	28.5	93.6	26.557	230/460	36;37
		1800	284/6T	02518EG3E284T-W22	\$3,017	N1	459	1.25	30.3	94.5	27.929	230/460	36;37
		1200	324/6T	02512EG3E324T-W22	\$5,211	N1	623	1.25	30.8	94.1	31.116	230/460	36;37
30	22	3600	284/6TS	03036EG3E286TS-W22	\$3,917	N1	475	1.25	33.5	93.6	26.557	230/460	36;37
		1800	284/6T	03018EG3E286T-W22	\$3,545	N1	491	1.25	35.6	94.5	27.929	230/460	36;37
		1200	324/6T	03012EG3E326T-W22	\$5,800	N1	667	1.25	36.7	94.1	31.116	230/460	36;37
40	30	3600	324/6TS	04036EG3E324TS-W22	\$5,198	N1	590	1.25	46.5	94.1	29.616	230/460	36;37
		1800	324/6T	04018EG3E324T-W22	\$4,596	N1	638	1.25	48.9	95.0	31.116	230/460	36;37
		1200	364/5T	04012EG3E364T-W22	\$8,012	N1	1046	1.25	48.9	95.0	34.251	230/460	36;37
50	37	3600	324/6TS	05036EG3E326TS-W22	\$5,848	N1	637	1.25	57.1	94.5	29.616	230/460	36;37
		1800	324/6T	05018EG3E326T-W22	\$5,610	N1	661	1.25	60.1	95.4	31.116	230/460	36;37
		1200	364/5T	05012EG3E365T-W22	\$9,370	N1	1062	1.25	60.3	95.0	34.251	230/460	36;37
60	45	3600	364/5TS	06036EG3E364TS-W22	\$8,307	N1	1042	1.25	66.8	95.0	32.338	230/460	36;37
		1800	364/5T	06018EG3E364T-W22	\$8,128	N1	1045	1.25	70.2	95.8	34.251	230/460	36;37
		1200	404/5T	06012EG3E404T-W22	\$11,547	N1	1323	1.25	72.2	95.4	39.730	230/460	36;37
75	55	3600	364/5TS	07536EG3E365TS-W22	\$10,000	N1	1041	1.25	82.6	95.0	32.338	230/460	36;37
		1800	364/5T	07518EG3E365T-W22	\$9,576	N1	1046	1.25	86.8	95.8	34.251	230/460	36;37
		1200	404/5T	07512EG3E405T-W22	\$13,264	N1	1344	1.25	89.3	95.4	39.730	230/460	36;37
100	75	3600	404/5TS	10036EG3E405TS-W22	\$13,202	N1	1299	1.25	111	95.4	36.732	230/460	36;37
		1800	404/5T	10018EG3E405T-W22	\$12,858	N1	1328	1.25	116	96.2	39.730	230/460	36;37
		1200	444/5T	10012EG3E444T-W22	\$17,194	N1	2145	1.25	124	95.8	45.157	230/460	36;37

continued on next page

Please refer to back cover for description of "NOTES"

For detailed specifications, data sheets, drawings and performance curves visit <http://www.weg.net>

Data subject to change without notice.

Can't find what you are looking for? Call 1-800-ASK-4WEG (275-4934)

A-77

Super Premium Efficiency Motors

Super Premium Efficiency Motors



SEVERE DUTY - GENERAL PURPOSE - Three-Phase

TEFC - Foot Mount - *continued*

HP	kW	RPM	Frame	Catalog Number	List Price	Mult. Symbol	Approx. Shipping Weight (lbs)	Service Factor	FL Amps @ High	FL. Eff (%)	"C" Dimension (in)	Voltage (V)	Notes
125	90	3600	444/5TS	12536EG3G444TS-W22	\$16,885	N1	1872	1.25	136	95.8	41.407	460	36;37
		1800	444/5T	12518EG3G444T-W22	\$16,223	N1	1991	1.25	140	96.2	45.157	460	36;37
		1200	444/5T	12512EG3G445T-W22	\$19,742	N1	2231	1.25	152	95.8	45.157	460	36;37
150	110	3600	444/5TS	15036EG3G445TS-W22	\$20,770	N1	2071	1.25	163	96.2	41.407	460	36;37
		1800	444/5T	15018EG3G445T-W22	\$19,162	N1	2226	1.25	170	96.5	45.157	460	36;37
		1200	447/9T	15012EG3G449T-W22	\$22,703	N1	3098	1.25	179	96.2	56.338	460	36;37
200	150	3600	445/7TS	20036EG3G447TS-W22	\$25,918	N1	2333	1.25	217	96.2	44.951	460	36;37
		1800	447/9T	20018EG3G449T-W22	\$23,208	N1	2995	1.25	234	96.8	56.338	460	36;37
		1200	447/9T	20012EG3G449T-W22	\$27,646	N1	3145	1.25	245	96.2	56.338	460	36;37
250	185	3600	445/7TS	25036EG3G447TS-W22	\$32,831	N1	2480	1.25	267	96.5	44.951	460	36;37
		1800	447/9T	25018EG3G449T-W22	\$29,388	N1	3083	1.25	286	96.8	56.338	460	36;37

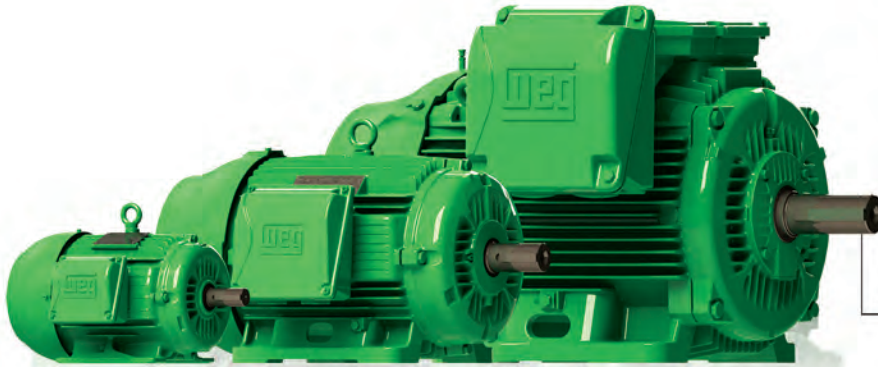
Super Premium Efficiency Motors

Please refer to back cover for description of "NOTES"
For detailed specifications, data sheets, drawings and performance curves visit <http://www.weg.net>



Super Premium Efficiency

The most efficient induction motor in the World!



Motors with higher efficiency
and lower total cost of ownership...
We call it WEGnology.

Transforming energy into solutions.

www.weg.net



Severe Duty - Three-Phase Motors

GENERAL PURPOSE

TEFC – Foot Mount A-83
TEFC – C-Face – Foot Mount A-90
TEFC – C-Face – Footless A-92

IEEE 841

TEFC – Foot Mount A-94
TEFC – C-Face – Foot Mount A-98
TEFC – C-Face – Footless A-99

CRUSHER DUTY

TEFC – Foot Mount A-102

VECTOR DUTY

TENV – Foot Mount – Double C-Face A-104

IEC TRU-METRIC™

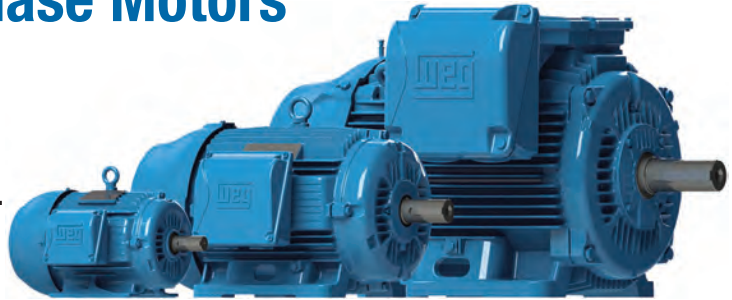
TEFC – Foot Mount IE3 A-106

Severe Duty -
Three-Phase
Motors

Severe-Duty – Three Phase Motors

You Do Not Need A Special Motor For Severe Duty.

Severe Duty Is Standard With WEG.



W22 - Cast Iron

Standard Features:

- 50/60 Hz rated (380V on nameplate - 400/415 available)
- Rated 50HZ at same horsepower up to 250HP 1.0 Service Factor for 2, 4 & 6 pole motors
- Rated 50Hz at same horsepower up to 125HP 1.0 Service Factor for 8 pole motors
- Class F insulation (impregnation resin and magnet wire are class H)
- F1 mounted (cast iron frames are F2 convertible). Frames 447T and up can easily be F2 converted by simply rotating the terminal box adapter
- Cast iron frames: regreasable ball bearings (frames 254T and up)
- Gasketed conduit box

*Inverter Rated

1000:1 for Variable Torque
NEMA Premium®

20:1 Constant Torque up to 250HP

6:1 Constant Torque 300HP and up

** Insulated housing standard on L449T and above*

ADDITIONAL TECHNICAL DATA

ELECTRICAL DATA: B-12

MECHANICAL DATA: B-68

Features that make a difference:

- All NEMA Premium® ratings have a 1.25 Service Factor (up to 100 HP) resulting in cooler operation and extended life of the motor
- All Cast Iron Construction, including Terminal Box and Fan Cover (*)
- Solid feet for low vibration levels and impact absorption
- Optimized ventilation system for cool operation and extended life
- High Grade FC200 cast iron provides superior mechanical strength and heat dissipation
- All WEG W22 motors are Totally Enclosed Fan Cooled with a true IP55 rating against dust and moisture. (IP56, IP65 and IP66 available as optional)
- Exclusive W-Seal 364T and larger provides superior bearing protection
- Taconite Labyrinth seal 586 Frame and larger
- Exclusive WEG painting system exceed 200hrs ASTM 117 corrosion test (Exceeds IEEE 841 standard)
- Balanced to 0.08 inches per second vibration limits (Meets IEEE 841 standard)
- Four Bolt Conduit Cover with glued Neoprene Gasket
- Impregnation Resin and magnet wire are insulation class H
- Stainless Steel Nameplate - Laser etched with high contrast background
- Corrosion Proof Drains
- Inverter Duty per NEMA MG1, Part 31
- Certified Class I Div 2, Groups A, B, C & D; Class II, Div 2, Groups F & G
- Suitable for IEEE45 USCG 259 – Marine Duty

*Cast iron fan cover available as an option on 143-215T frames



Optimal Cooling System

Fan Cover

- Aerodynamic design
- Minimal noise levels
- Superb air flow distribution over frame
- Superior mechanical strength

Fan

- Reinforced fan hub structure
- Noise level reduction
- Optimal air flow

Terminal Box

- Excellent connection quality
- Easy cable handling during installation
- Ample space available for accessory installation
- Low Maintenance
- Mounting F1/F2/F3
- Rotation on 90° stages

Bearing Caps

External

- Finned surface for optimal bearing heat dissipation

Internal

- Positive pressure lubrication system
- Excellent bearing lubrication quality improvement
- Lower bearing temperature
- 1.25 SF up to 100 hp

Seal Subsystem

- Excellent dust and moisture protection

Frame

- Low temperature on windings and bearings
- Low noise design
- Terminal box position outlet on top; 447T and larger

Pad for vibration sensor

- Displaced 90° from each other

Enhanced Lifting Provisions

- Easy handling - horizontal & vertical
- Superior mechanical strength and handling safety

Solid feet

- Impact resistance
- Ideal for high vibration level applications

Endshields Subsystem

DE (Drive Endshield)

- Fin design increases air flow
- Bearing moved outwards for better load support
- Bearing heat dissipation for reduced bearing temperature
- Reinforced endshield structure

NDE (Non-Drive Endshield)

- Smooth exterior surface
- Optimal air flow
- Designed for low noise
- Structural rigidity for low vibration
- Insulated housing standard on L447/9T and above



Severe Duty - Three-Phase Motors

GENERAL PURPOSE

TEFC - Foot Mount

HP	kW	RPM	Frame	Catalog Number	List Price	Mult. Symbol	Approx. Shipping Weight (lbs)	Service Factor	FL Amps @ High	FL. Eff (%)	"C" Dimension (in)	Voltage (V)	Notes
1	0.75	3600	143/5T	00136ET3E143T-W22	\$538	N1	45	1.25	1.44	81.5	13.358	230/460	
		3600	143/5T	00136ET3H143T-W22	\$538	N1	44	1.25	1.15	81.5	13.358	575	
		1800	143/5T	00118ET3E143T-W22	\$527	N1	48	1.25	1.47	85.5	13.358	230/460	
		1800	143/5T	00118ET3H143T-W22	\$527	N1	48	1.25	1.18	85.5	13.358	575	
		1200	143/5T	00112ET3E145T-W22	\$608	N1	55	1.25	1.73	82.5	13.358	230/460	
		1200	143/5T	00112ET3H145T-W22	\$608	N1	55	1.25	1.38	82.5	13.358	575	
		900	182/4T	00109ET3E182T-W22	\$1,043	N1	88	1.25	2.30	78.5	15.860	230/460	
		900	182/4T	00109ET3H182T-W22	\$1,043	N1	104	1.25	1.84	78.5	15.860	575	
1.5	1.1	3600	143/5T	00156ET3E143T-W22	\$543	N1	49	1.25	1.96	84.0	13.358	230/460	
		3600	143/5T	00156ET3H143T-W22	\$543	N1	49	1.25	1.57	84.0	13.358	575	
		1800	143/5T	00158ET3E145T-W22	\$551	N1	53	1.25	2.02	86.5	13.358	230/460	
		1800	143/5T	00158ET3H145T-W22	\$551	N1	53	1.25	1.62	86.5	13.358	575	
		1200	182/4T	00152ET3E182T-W22	\$754	N1	97	1.25	2.54	87.5	15.860	230/460	
		1200	182/4T	00152ET3H182T-W22	\$754	N1	97	1.25	2.03	87.5	15.860	575	
		900	182/4T	00159ET3E184T-W22	\$1,207	N1	102	1.25	2.70	82.5	15.860	230/460	
		900	182/4T	00159ET3H184T-W22	\$1,207	N1	102	1.25	2.16	82.5	15.860	575	
2	1.5	3600	143/5T	00236ET3E145T-W22	\$591	N1	54	1.25	2.56	85.5	13.358	230/460	
		3600	143/5T	00236ET3H145T-W22	\$591	N1	54	1.25	2.05	85.5	13.358	575	
		1800	143/5T	00218ET3E145T-W22	\$612	N1	51	1.25	2.76	86.5	13.358	230/460	
		1800	143/5T	00218ET3H145T-W22	\$612	N1	54	1.25	2.21	86.5	13.358	575	
		1200	182/4T	00212ET3E184T-W22	\$819	N1	108	1.25	3.22	88.5	15.860	230/460	39
		1200	182/4T	00212ET3H184T-W22	\$819	N1	103	1.25	2.58	88.5	15.860	575	39
		900	213/5T	00209ET3E213T-W22	\$1,848	N1	171	1.25	3.39	85.5	19.517	230/460	
		900	213/5T	00209ET3H213T-W22	\$1,848	N1	171	1.25	2.71	85.5	19.517	575	
3	2.2	3600	182/4T	00336ET3E182T-W22	\$763	N1	99	1.25	3.63	86.5	15.860	230/460	
		3600	182/4T	00336ET3H182T-W22	\$763	N1	99	1.25	2.90	86.5	15.860	575	
		1800	182/4T	00318ET3E182T-W22	\$663	N1	92	1.25	3.91	89.5	15.860	230/460	
		1800	182/4T	00318ET3H182T-W22	\$663	N1	94	1.25	3.13	89.5	15.860	575	
		1200	213/5T	00312ET3E213T-W22	\$1,129	N1	160	1.25	4.41	89.5	19.517	230/460	
		1200	213/5T	00312ET3H213T-W22	\$1,129	N1	163	1.25	3.53	89.5	19.517	575	
		900	213/5T	00309ET3E215T-W22	\$2,115	N1	189	1.25	4.55	85.5	19.517	230/460	
		900	213/5T	00309ET3H215T-W22	\$2,115	N1	188	1.25	3.64	85.5	19.517	575	
5	3.7	3600	182/4T	00536ET3E184T-W22	\$873	N1	103	1.25	5.90	88.5	15.860	230/460	
		3600	182/4T	00536ET3H184T-W22	\$873	N1	106	1.25	4.72	88.5	15.860	575	
		1800	182/4T	00518ET3E184T-W22	\$772	N1	101	1.25	6.45	89.5	15.860	230/460	
		1800	182/4T	00518ET3H184T-W22	\$772	N1	104	1.25	5.16	89.5	15.860	575	
		1800	182/4T	00518ET3P184T-W22	\$772	N1	103	1.25	14.8	89.5	15.860	200	
		1200	213/5T	00512ET3E215T-W22	\$1,332	N1	170	1.25	6.83	89.5	19.517	230/460	
		1200	213/5T	00512ET3H215T-W22	\$1,332	N1	180	1.25	5.46	89.5	19.517	575	
		900	254/6T	00509ET3E254T-W22	\$3,301	N1	302	1.25	7.58	87.5	24.945	230/460	
900	254/6T	00509ET3H254T-W22	\$3,301	N1	321	1.25	6.06	87.5	24.945	575			

continued on next page

Severe Duty - Three-Phase Motors

Please refer to back cover for description of "NOTES"

For detailed specifications, data sheets, drawings and performance curves visit <http://www.weg.net>

Data subject to change without notice.

Can't find what you are looking for? Call 1-800-ASK-4WEG (275-4934)

Severe Duty - Three-Phase Motors



GENERAL PURPOSE

TEFC - Foot Mount - *continued*

HP	kW	RPM	Frame	Catalog Number	List Price	Mult. Symbol	Approx. Shipping Weight (lbs)	Service Factor	FL Amps @ High	FL Eff (%)	"C" Dimension (in)	Voltage (V)	Notes
7.5	5.5	3600	182/4T	00736ET3E184T-W22	\$1,074	N1	106	1.25	8.76	89.5	15.860	230/460	12
		3600	213/5T	00736ET3E213T-W22	\$1,125	N1	149	1.25	8.76	89.5	19.517	230/460	
		3600	213/5T	00736ET3H213T-W22	\$1,125	N1	163	1.25	7.01	89.5	19.517	575	
		1800	213/5T	00718ET3E213T-W22	\$1,089	N1	170	1.25	9.18	91.7	19.517	230/460	
		1800	213/5T	00718ET3H213T-W22	\$1,089	N1	174	1.25	7.34	91.7	19.517	575	
		1800	213/5T	00718ET3P213T-W22	\$1,089	N1	175	1.25	21.1	91.7	19.517	200	
		1200	254/6T	00712ET3E254T-W22	\$2,065	N1	300	1.25	9.48	91.0	24.945	230/460	
		1200	254/6T	00712ET3H254T-W22	\$2,065	N1	316	1.25	7.58	91.0	24.945	575	39
		900	254/6T	00709ET3E256T-W22	\$3,658	N1	317	1.25	11.1	87.5	24.945	230/460	
		900	254/6T	00709ET3H256T-W22	\$3,658	N1	373	1.25	8.88	87.5	24.945	575	
10	7.5	3600	213/5T	01036ET3E215T-W22	\$1,332	N1	172	1.25	11.6	90.2	19.517	230/460	
		3600	213/5T	01036ET3H215T-W22	\$1,332	N1	180	1.25	9.28	90.2	19.517	575	
		1800	213/5T	01018ET3E215T-W22	\$1,273	N1	175	1.25	12.4	91.7	19.517	230/460	
		1800	213/5T	01018ET3H215T-W22	\$1,273	N1	188	1.25	9.92	91.7	19.517	575	
		1800	213/5T	01018ET3P215T-W22	\$1,273	N1	189	1.25	28.5	91.7	19.517	200	
		1200	254/6T	01012ET3E256T-W22	\$2,396	N1	318	1.25	12.9	91.0	24.945	230/460	
		1200	254/6T	01012ET3H256T-W22	\$2,396	N1	325	1.25	10.3	91.0	24.945	575	
		900	284/6T	01009ET3E284T-W22	\$4,634	N1	373	1.25	13.4	90.2	27.929	230/460	
		900	284/6T	01009ET3H284T-W22	\$4,634	N1	371	1.25	10.7	90.2	27.929	575	
15	11	3600	213/5T	01536ET3E215T-W22	\$1,697	N1	192	1.25	17.0	91.0	19.517	230/460	12
		3600	254/6T	01536ET3E254T-W22	\$1,824	N1	293	1.25	17.2	91.0	24.945	230/460	
		3600	254/6T	01536ET3H254T-W22	\$1,824	N1	298	1.25	13.8	91.0	24.945	575	
		1800	254/6T	01518ET3E254T-W22	\$1,848	N1	339	1.25	18.0	92.4	24.945	230/460	
		1800	254/6T	01518ET3H254T-W22	\$1,848	N1	347	1.25	14.4	92.4	24.945	575	
		1800	254/6T	01518ET3P254T-W22	\$1,848	N1	349	1.25	41.4	92.4	24.945	200	
		1200	284/6TS	01512ET3E284TS-W22	\$3,291	N1	420	1.25	17.9	91.7	26.557	230/460	
		1200	284/6TS	01512ET3H284TS-W22	\$3,291	N1	360	1.25	14.3	91.7	26.557	575	
		1200	284/6T	01512ET3E284T-W22	\$3,291	N1	406	1.25	17.9	91.7	27.929	230/460	
		1200	284/6T	01512ET3H284T-W22	\$3,291	N1	420	1.25	14.3	91.7	27.929	575	
		900	284/6T	01509ET3E286T-W22	\$5,368	N1	429	1.25	19.4	90.2	27.929	230/460	
		900	284/6T	01509ET3H286T-W22	\$5,368	N1	428	1.25	15.5	90.2	27.929	575	
20	15	3600	254/6T	02036ET3E256T-W22	\$2,382	N1	317	1.25	23.2	91.0	24.945	230/460	
		3600	254/6T	02036ET3H256T-W22	\$2,382	N1	323	1.25	18.6	91.0	24.945	575	
		1800	254/6T	02018ET3E256T-W22	\$2,201	N1	386	1.25	24.1	93.0	24.945	230/460	
		1800	254/6T	02018ET3H256T-W22	\$2,201	N1	396	1.25	19.3	93.0	24.945	575	
		1800	254/6T	02018ET3P256T-W22	\$2,201	N1	397	1.25	55.4	93.0	24.945	200	
		1200	284/6T	02012ET3E286T-W22	\$3,962	N1	432	1.25	24.2	91.7	27.929	230/460	
		1200	284/6T	02012ET3H286T-W22	\$3,962	N1	447	1.25	19.4	91.7	27.929	575	
		900	284/6T	02009ET3E286T-W22	\$5,854	N1	556	1.00	28.2	90.2	27.929	230/460	1;12;37
		900	324/6T	02009ET3E324T-W22	\$6,339	N1	548	1.25	28.3	91.0	31.116	230/460	
		900	324/6T	02009ET3H324T-W22	\$6,339	N1	546	1.25	22.6	91.0	31.116	575	

continued on next page

Please refer to back cover for description of "NOTES"

For detailed specifications, data sheets, drawings and performance curves visit <http://www.weg.net>



TEFC - Foot Mount - continued

HP	kW	RPM	Frame	Catalog Number	List Price	Mult. Symbol	Approx. Shipping Weight (lbs)	Service Factor	FL Amps @ High	FL. Eff (%)	"C" Dimension (in)	Voltage (V)	Notes
25	18.5	3600	284/6TS	02536ET3E284TS-W22	\$2,998	N1	391	1.25	28.5	91.7	26.557	230/460	
		3600	284/6TS	02536ET3H284TS-W22	\$2,998	N1	405	1.25	22.8	91.7	26.557	575	
		1800	284/6TS	02518ET3E284TS-W22	\$2,743	N1	438	1.25	29.5	93.6	26.557	230/460	
		1800	284/6T	02518ET3E284T-W22	\$2,743	N1	408	1.25	29.5	93.6	27.929	230/460	
		1800	284/6T	02518ET3H284T-W22	\$2,743	N1	439	1.25	23.6	93.6	27.929	575	
		1200	324/6T	02512ET3E324T-W22	\$4,737	N1	569	1.25	30.4	93.0	31.116	230/460	
		1200	324/6T	02512ET3H324T-W22	\$4,737	N1	583	1.25	24.3	93.0	31.116	575	
		900	324/6T	02509ET3E326T-W22	\$7,315	N1	593	1.25	35.9	91.0	31.116	230/460	
		900	324/6T	02509ET3H326T-W22	\$7,315	N1	593	1.25	28.7	91.0	31.116	575	
30	22	3600	284/6TS	03036ET3E286TS-W22	\$3,561	N1	408	1.25	33.8	91.7	26.557	230/460	
		3600	284/6TS	03036ET3H286TS-W22	\$3,561	N1	425	1.25	27.0	91.7	26.557	575	
		1800	284/6TS	03018ET3E286TS-W22	\$3,223	N1	476	1.25	35.1	93.6	26.557	230/460	
		1800	284/6T	03018ET3E286T-W22	\$3,223	N1	461	1.25	35.1	93.6	27.929	230/460	
		1800	284/6T	03018ET3H286T-W22	\$3,223	N1	476	1.25	28.1	93.6	27.929	575	
		1200	324/6T	03012ET3E326T-W22	\$5,273	N1	530	1.25	36.2	93.0	31.116	230/460	
		1200	324/6T	03012ET3H326T-W22	\$5,273	N1	627	1.25	29.0	93.0	31.116	575	
		900	364/5T	03009ET3E364T-W22	\$11,215	N1	899	1.25	37.0	92.4	34.251	230/460	
40	30	3600	324/6TS	04036ET3E324TS-W22	\$4,725	N1	546	1.25	45.8	92.4	29.616	230/460	
		3600	324/6TS	04036ET3H324TS-W22	\$4,725	N1	589	1.25	36.6	92.4	29.616	575	
		1800	324/6TS	04018ET3E324TS-W22	\$4,178	N1	613	1.25	47.1	94.1	31.116	230/460	
		1800	324/6T	04018ET3E324T-W22	\$4,178	N1	591	1.25	47.1	94.1	31.116	230/460	
		1800	324/6T	04018ET3H324T-W22	\$4,178	N1	614	1.25	37.7	94.1	31.116	575	
		1800	324/6T	04018ET3P324T-W22	\$4,178	N1	625	1.25	108	94.1	31.116	200	
		1200	364/5T	04012ET3E364T-W22	\$7,284	N1	964	1.25	46.5	94.1	34.251	230/460	
		1200	364/5T	04012ET3H364T-W22	\$7,284	N1	904	1.25	37.2	94.1	34.251	575	
		900	364/5T	04009ET3E365T-W22	\$12,194	N1	954	1.25	50.3	92.4	34.251	230/460	
50	37	3600	324/6TS	05036ET3E326TS-W22	\$5,316	N1	587	1.25	56.1	93.0	29.616	230/460	
		3600	324/6TS	05036ET3H326TS-W22	\$5,316	N1	610	1.25	44.9	93.0	29.616	575	
		1800	324/6TS	05018ET3E326TS-W22	\$5,100	N1	637	1.25	59.2	94.5	31.116	230/460	
		1800	324/6T	05018ET3E326T-W22	\$5,100	N1	585	1.25	59.2	94.5	31.116	230/460	
		1800	324/6T	05018ET3H326T-W22	\$5,100	N1	634	1.25	47.4	94.5	31.116	575	
		1200	364/5T	05012ET3E365T-W22	\$8,518	N1	914	1.25	57.4	94.1	34.251	230/460	
		1200	364/5T	05012ET3H365T-W22	\$8,518	N1	1026	1.25	45.9	94.1	34.251	575	
		900	404/5T	05009ET3E404T-W22	\$17,648	N1	1214	1.25	60.0	93.0	39.73	230/460	
60	45	3600	364/5TS	06036ET3E364TS-W22	\$7,552	N1	855	1.25	67.0	93.6	32.338	230/460	
		3600	364/5TS	06036ET3G364TS-W22	\$7,552	N1	961	1.25	67.0	93.6	32.338	460	
		3600	364/5TS	06036ET3H364TS-W22	\$7,552	N1	968	1.25	53.6	93.6	32.338	575	
		1800	364/5TS	06018ET3E364TS-W22	\$7,389	N1	1026	1.25	68.3	95.0	32.338	230/460	
		1800	364/5T	06018ET3E364T-W22	\$7,389	N1	946	1.25	68.3	95.0	34.251	230/460	
		1800	364/5T	06018ET3G364T-W22	\$7,389	N1	1025	1.25	68.3	95.0	34.251	460	
		1800	364/5T	06018ET3H364T-W22	\$7,389	N1	1033	1.25	54.6	95.0	34.251	575	
		1200	404/5T	06012ET3E404T-W22	\$10,497	N1	1252	1.25	69.5	94.5	39.730	230/460	
		1200	404/5T	06012ET3ERB404T-W22	\$10,497	N1	1262	1.25	69.5	94.5	39.730	230/460	14
		1200	404/5T	06012ET3G404T-W22	\$10,497	N1	1213	1.25	69.5	94.5	39.730	460	
		1200	404/5T	06012ET3H404T-W22	\$10,497	N1	1255	1.25	55.6	94.5	39.730	575	
900	404/5T	06009ET3E405T-W22	\$20,443	N1	1263	1.25	73.0	93.0	39.730	230/460			

continued on next page

Please refer to back cover for description of "NOTES"

For detailed specifications, data sheets, drawings and performance curves visit <http://www.weg.net>

Data subject to change without notice.

Can't find what you are looking for? Call 1-800-ASK-4WEG (275-4934)

Severe Duty - Three-Phase Motors



GENERAL PURPOSE

TEFC - Foot Mount - *continued*

HP	kW	RPM	Frame	Catalog Number	List Price	Mult. Symbol	Approx. Shipping Weight (lbs)	Service Factor	FL Amps @ High	FL. Eff (%)	"C" Dimension (in)	Voltage (V)	Notes
75	55	3600	364/5TS	07536ET3E365TS-W22	\$9,091	N1	900	1.25	81.9	93.6	32.338	230/460	
		3600	364/5TS	07536ET3G365TS-W22	\$9,091	N1	963	1.25	81.9	93.6	32.338	460	
		3600	364/5TS	07536ET3H365TS-W22	\$9,091	N1	967	1.25	65.5	93.6	32.338	575	
		1800	364/5TS	07518ET3E365TS-W22	\$8,705	N1	988	1.25	84.1	95.4	32.338	230/460	
		1800	364/5T	07518ET3E365T-W22	\$8,705	N1	969	1.25	84.1	95.4	34.251	230/460	
		1800	364/5T	07518ET3G365T-W22	\$8,705	N1	1045	1.25	84.1	95.4	34.251	460	
		1800	364/5T	07518ET3H365T-W22	\$8,705	N1	1050	1.25	67.3	95.4	34.251	575	
		1200	404/5T	07512ET3E405T-W22	\$12,058	N1	1303	1.25	84.9	94.5	39.730	230/460	
		1200	404/5T	07512ET3ERB405T-W22	\$12,058	N1	1262	1.25	84.9	94.5	39.730	230/460	14
		1200	404/5T	07512ET3G405T-W22	\$12,058	N1	1298	1.25	84.9	94.5	39.730	460	
		1200	404/5T	07512ET3GRB405T-W22	\$12,058	N1	1309	1.25	84.9	94.5	39.730	460	14
		1200	404/5T	07512ET3H405T-W22	\$12,058	N1	1303	1.25	67.9	94.5	39.730	575	
		900	444/5T	07509ET3E444T-W22	\$23,334	N1	1665	1.25	93.0	93.6	45.157	230/460	
		900	444/5T	07509ET3QRB444TF2-W2	\$23,334	N1	1707	1.25	93.0	93.6	45.157	460	14
100	75	3600	404/5TS	10036ET3E405TS-W22	\$12,002	N1	1024	1.25	110	94.1	36.732	230/460	
		3600	404/5TS	10036ET3G405TS-W22	\$12,002	N1	1176	1.25	110	94.1	36.732	460	
		3600	404/5TS	10036ET3H405TS-W22	\$12,002	N1	1182	1.25	88.0	94.1	36.732	575	
		1800	404/5TS	10018ET3E405TS-W22	\$11,689	N1	1266	1.25	111	95.4	36.732	230/460	
		1800	404/5T	10018ET3E405T-W22	\$11,689	N1	1190	1.25	111	95.4	39.730	230/460	
		1800	404/5T	10018ET3ERB405T-W22	\$11,689	N1	1239	1.25	111	95.4	39.730	230/460	14
		1800	404/5T	10018ET3G405T-W22	\$11,689	N1	1280	1.25	111	95.4	39.730	460	
		1800	404/5T	10018ET3GRB405T-W22	\$11,689	N1	1199	1.25	111	95.4	39.730	460	14
		1800	404/5T	10018ET3H405T-W22	\$11,689	N1	1283	1.25	88.8	95.4	39.730	575	
		1800	404/5T	10018ET3HRB405T-W22	\$11,689	N1	1294	1.25	88.8	95.4	39.730	575	14
		1200	444/5T	10012ET3E444T-W22	\$15,631	N1	1786	1.25	121	95.0	45.157	230/460	
		1200	444/5T	10012ET3ERB444T-W22	\$15,631	N1	1859	1.25	121	95.0	45.157	230/460	14
		1200	444/5T	10012ET3G444T-W22	\$15,631	N1	1840	1.25	121	95.0	45.157	460	
		1200	444/5T	10012ET3GRB444T-W22	\$15,631	N1	1854	1.25	121	95.0	45.157	460	14
		1200	444/5T	10012ET3H444T-W22	\$15,631	N1	1837	1.25	96.8	95.0	45.157	575	
		900	444/5T	10009ET3E445T-W22	\$26,988	N1	1900	1.25	127	94.1	45.157	230/460	
900	444/5T	10009ET3G445T-W22	\$26,988	N1	1939	1.25	127	94.1	45.157	460			

continued on next page

Please refer to back cover for description of "NOTES"

For detailed specifications, data sheets, drawings and performance curves visit <http://www.weg.net>

Severe Duty - Three-Phase Motors



TEFC - Foot Mount - *continued*

HP	kW	RPM	Frame	Catalog Number	List Price	Mult. Symbol	Approx. Shipping Weight (lbs)	Service Factor	FL Amps @ High	FL. Eff (%)	"C" Dimension (in)	Voltage (V)	Notes
125	90	3600	444/5TS	12536ET3E444TS-W22	\$15,350	N1	1802	1.15	134	95.0	41.407	230/460	
		3600	444/5TS	12536ET3G444TS-W22	\$15,350	N1	1798	1.15	134	95.0	41.407	460	
		3600	444/5TS	12536ET3H444TS-W22	\$15,350	N1	1795	1.15	107	95.0	41.407	575	
		1800	444/5TS	12518ET3E444TS-W22	\$14,748	N1	1627	1.15	139	95.4	41.407	230/460	
		1800	444/5T	12518ET3E444T-W22	\$14,748	N1	1699	1.15	139	95.4	45.157	230/460	
		1800	444/5T	12518ET3ERB444T-W22	\$14,748	N1	1730	1.15	139	95.4	45.157	230/460	14
		1800	444/5T	12518ET3G444T-W22	\$14,748	N1	1710	1.15	139	95.4	45.157	460	
		1800	444/5T	12518ET3GRB444T-W22	\$14,748	N1	1736	1.15	139	95.4	45.157	460	14
		1800	444/5T	12518ET3H444T-W22	\$14,748	N1	1815	1.15	111	95.4	45.157	575	
		1200	444/5T	12512ET3E445T-W22	\$17,947	N1	1980	1.15	143	95.0	45.157	230/460	
		1200	444/5T	12512ET3ERB445T-W22	\$17,947	N1	1993	1.15	143	95.0	45.157	230/460	14
		1200	444/5T	12512ET3G445T-W22	\$17,947	N1	1893	1.15	143	95.0	45.157	460	
		1200	444/5T	12512ET3GRB445T-W22	\$17,947	N1	1996	1.15	143	95.0	45.157	460	14
		1200	444/5T	12512ET3H445T-W22	\$17,947	N1	1974	1.15	114	95.0	45.157	575	
		900	445/7T	12509ET3G447T-W22	\$28,175	N1	2235	1.15	151	94.5	48.701	460	
		150	110	3600	444/5TS	15036ET3E445TS-W22	\$18,882	N1	1899	1.15	161	95.0	41.407
3600	444/5TS			15036ET3G445TS-W22	\$18,882	N1	1908	1.15	161	95.0	41.407	460	
1800	444/5TS			15018ET3G445TS-W22	\$17,420	N1	1869	1.15	170	95.8	41.407	460	
1800	444/5T			15018ET3E445T-W22	\$17,420	N1	1918	1.15	170	95.8	45.157	230/460	
1800	444/5T			15018ET3G445T-W22	\$17,420	N1	1905	1.15	170	95.8	45.157	460	
1800	444/5T			15018ET3GRB445T-W22	\$17,420	N1	1853	1.15	170	95.8	45.157	460	14
1800	444/5T			15018ET3H445T-W22	\$17,420	N1	1958	1.15	136	95.8	45.157	575	
1800	444/5T			15018ET3HRB445T-W22	\$17,420	N1	2034	1.15	136	95.8	45.157	575	14
1200	445/7T			15012ET3E447T-W22	\$20,639	N1	2354	1.15	176	95.8	48.701	230/460	
1200	445/7T			15012ET3G447T-W22	\$20,639	N1	2472	1.15	176	95.8	48.701	460	
1200	445/7T			15012ET3GRB447T-W22	\$20,639	N1	2371	1.15	176	95.8	48.701	460	14
1200	445/7T			15012ET3H447T-W22	\$20,639	N1	2467	1.15	141	95.8	48.701	575	
900	447/9T			15009ET3G449T-W22	\$30,677	N1	3079	1.15	185	94.5	56.338	460	

continued on next page

Severe Duty -
Three-Phase
Motors

Please refer to back cover for description of "NOTES"

For detailed specifications, data sheets, drawings and performance curves visit <http://www.weg.net>

Data subject to change without notice.

Can't find what you are looking for? Call 1-800-ASK-4WEG (275-4934)

Severe Duty - Three-Phase Motors



GENERAL PURPOSE

TEFC - Foot Mount - *continued*

HP	kW	RPM	Frame	Catalog Number	List Price	Mult. Symbol	Approx. Shipping Weight (lbs)	Service Factor	FL Amps @ High	FL Eff (%)	"C" Dimension (in)	Voltage (V)	Notes
200	150	3600	445/7TS	20036ET3E447TS-W22	\$23,562	N1	2224	1.15	219	95.4	44.951	230/460	
		3600	445/7TS	20036ET3G447TS-W22	\$23,562	N1	2046	1.15	219	95.4	44.951	460	
		3600	504/5S	20036ET3G504S-W22	\$23,562	N1	2373	1.15	222	95.4	48.215	460	
		1800	445/7TS	20018ET3G447TS-W22	\$21,098	N1	2138	1.15	230	96.2	44.951	460	
		1800	445/7T	20018ET3E447T-W22	\$21,098	N1	2349	1.15	230	96.2	48.701	230/460	
		1800	445/7T	20018ET3G447T-W22	\$21,098	N1	2224	1.15	230	96.2	48.701	460	
		1800	445/7T	20018ET3GRB447T-W22	\$21,098	N1	2209	1.15	230	96.2	48.701	460	14
		1800	445/7T	20018ET3H447T-W22	\$21,098	N1	2477	1.15	184	96.2	48.701	575	
		1800	445/7T	20018ET3HRB447T-W22	\$21,098	N1	1850	1.15	184	96.2	48.701	575	14
		1800	504/5	20018ET3G504-W22	\$21,098	N1	2621	1.15	228	96.2	54.095	460	
		1200	445/7T	20012ET3G447T-W22	\$25,133	N1	2406	1.15	237	95.8	48.701	460	
		1200	445/7T	20012ET3GRB447T-W22	\$25,133	N1	2588	1.15	237	95.8	48.701	460	14
		1200	447/9T	20012ET3E449T-W22	\$25,255	N1	2495	1.15	237	95.8	56.338	230/460	
		1200	447/9T	20012ET3G449T-W22	\$25,255	N1	3044	1.15	237	95.8	56.338	460	
		1200	447/9T	20012ET3GRB449T-W22	\$25,255	N1	2940	1.15	237	95.8	56.338	460	14
		1200	447/9T	20012ET3H449T-W22	\$25,255	N1	2933	1.15	190	95.8	56.338	575	
		1200	504/5	20012ET3G505-W22	\$25,255	N1	2467	1.15	237	95.8	54.095	460	
		900	447/9T	20009ET3G449T-W22	\$49,899	N1	3255	1.15	254	95.0	56.338	460	
250	185	3600	445/7TS	25036ET3G447TS-W22	\$29,846	N1	2535	1.15	266	95.8	44.951	460	
		3600	447/9TS	25036ET3G449TS-W22	\$33,173	N1	2730	1.15	266	95.8	52.588	460	
		1800	445/7TS	25018ET3G447TS-W22	\$27,189	N1	2709	1.15	281	96.2	44.951	460	
		1800	445/7TS	25018ET3H447TS-W22	\$27,189	N1	2896	1.15	225	96.2	44.951	575	
		1800	445/7T	25018ET3G447T-W22	\$26,716	N1	2446	1.15	281	96.2	48.701	460	
		1800	445/7T	25018ET3GRB447T-W22	\$26,716	N1	2554	1.15	281	96.2	48.701	460	14
		1800	445/7T	25018ET3HRB447T-W22	\$26,716	N1	2414	1.15	225	96.2	48.701	575	14
		1800	447/9T	25018ET3G449T-W22	\$26,803	N1	2879	1.15	281	96.2	56.338	460	
		1800	447/9T	25018ET3GRB449T-W22	\$26,803	N1	2815	1.15	281	96.2	56.338	460	14
		1200	447/9T	25012ET3E449T-W22	\$35,555	N1	3217	1.15	292	95.8	56.338	230/460	
		1200	447/9T	25012ET3G449T-W22	\$35,555	N1	3090	1.15	292	95.8	56.338	460	
		1200	447/9T	25012ET3GRB449T-W22	\$35,555	N1	3224	1.15	292	95.8	56.338	460	14
		1200	447/9T	25012ET3H449T-W22	\$35,555	N1	3206	1.15	234	95.8	56.338	575	
		1200	586/7	25012ET3G586/7-W22	\$39,631	N1	3769	1.15	299	95.8	61.902	460	43
		900	L447/9T	25009ET3G449T-W22	\$56,168	N1	3590	1.15	308	95.4	57.181	460	43
300	220	3600	447/9TS	30036ET3G449TS-W22	\$38,269	N1	2987	1.15	320	95.8	52.588	460	
		1800	447/9TS	30018ET3G449TS-W22	\$31,384	N1	2894	1.15	330	96.2	52.588	460	44
		1800	447/9T	30018ET3G449T-W22	\$31,384	N1	2888	1.15	330	96.2	56.338	460	
		1800	447/9T	30018ET3GRB449T-W22	\$31,384	N1	2992	1.15	330	96.2	56.338	460	14
		1200	447/9T	30012ET3G449T-W22	\$38,437	N1	3178	1.15	356	95.8	56.338	460	37
		1200	586/7	30012ET3G586/7-W22	\$44,301	N1	4061	1.15	356	95.8	61.902	460	43
		900	L447/9T	30009ET3G449T-W22	\$58,655	N1	3826	1.15	371	95.4	57.181	460	19;43

continued on next page

Please refer to back cover for description of "NOTES"

For detailed specifications, data sheets, drawings and performance curves visit <http://www.weg.net>

Severe Duty - Three-Phase Motors



TEFC - Foot Mount - *continued*

HP	KW	RPM	Frame	Catalog Number	List Price	Mult. Symbol	Approx. Shipping Weight (lbs)	Service Factor	FL Amps @ High	FL Eff (%)	"C" Dimension (in)	Voltage (V)	Notes
350	260	3600	447/9TS	35036ET3G449TS-W22	\$43,805	N1	3120	1.15	377	96.2	52.588	460	
		1800	447/9TS	35018ET3G449TS-W22	\$36,517	N1	3123	1.15	394	96.2	52.588	460	44
		1800	447/9T	35018ET3G449T-W22	\$36,517	N1	3168	1.15	394	96.2	56.338	460	
		1800	447/9T	35018ET3GRB449T-W22	\$36,517	N1	2941	1.15	394	96.2	56.338	460	14
		1200	L447/9T	35012ET3G449T-W22	\$47,633	N1	3781	1.15	415	95.8	57.181	460	37;43
		1200	L447/9T	35012ET3GRB449T-W22	\$47,633	N1	3800	1.15	415	95.8	57.181	460	14;19;37;43
		900	586/7	35009ET3G586/7-W22	\$64,873	N1	5028	1.00	426	95.8	61.902	460	1;43
400	300	3600	L447/9TS	40036ET3G449TS-W22	\$44,605	N1	3361	1.15	432	95.8	53.431	460	43
		1800	L447/9TS	40018ET3G449TS-W22	\$43,805	N1	3328	1.15	445	96.2	53.431	460	43
		1800	L447/9T	40018ET3G449T-W22	\$43,805	N1	3416	1.15	445	96.2	57.181	460	43
		1800	L447/9T	40018ET3GRB449T-W22	\$43,805	N1	3404	1.15	445	96.2	57.181	460	14;43
		1800	L447/9T	40018ET3H449T-W22	\$43,805	N1	3400	1.15	356	96.2	57.181	575	43
		1200	L447/9T	40012ET3G449T-W22	\$52,307	N1	3720	1.15	477	95.8	57.181	460	19;37;43
		1200	L447/9T	40012ET3GRB449T-W22	\$52,307	N1	3827	1.15	477	95.8	57.181	460	14;19;37;43
		1200	586/7	40012ET3G586/7-W22	\$56,201	N1	4663	1.15	483	96.2	61.902	460	43
450	330	900	588/9	40009ET3G588/9-W22	\$66,123	N1	3308	1.00	498	95.7	69.381	460	1;43
		3600	L447/9TS	45036ET3G449TS-W22	\$49,610	N1	3537	1.00	475	95.8	53.431	460	1;43
		1800	L447/9T	45018ET3G449T-W22	\$48,010	N1	3681	1.15	501	96.2	57.181	460	43
		1800	L447/9T	45018ET3GRB449T-W22	\$48,010	N1	3657	1.15	501	96.2	57.181	460	14;43
		1200	586/7	45012ET3G586/7-W22	\$62,251	N1	4957	1.00	532	96.2	61.902	460	1;43
		1200	586/7	45012ET3GRB586/7-W22	\$62,251	N1	5248	1.00	532	96.2	61.902	460	1;14;43
		900	588/9	45009ET3G588/9-W22	\$68,715	N1	5915	1.00	534	95.8	69.381	460	1;43;44
500	370	3600	586/7S	50036ET3G586/7S-W22	\$56,305	N1	4649	1.15	530	96.2	55.027	460	43;44
		1800	L447/9T	50018ET3G449T-W22	\$50,594	N1	3889	1.00	561	96.2	57.181	460	1;19;43
		1800	L447/9T	50018ET3GRB449T-W22	\$50,594	N1	5424	1.00	561	96.2	57.181	460	1;14;19;43
		1200	586/7	50012ET3G586/7-W22	\$62,962	N1	4916	1.00	603	96.2	61.902	460	1;43;44
600	450	3600	588/9S	60036ET3G588/9S-W22	\$64,635	N1	5142	1.00	650	96.5	62.506	460	1;43;44
		1800	586/7	60018ET3G586/7-W22	\$60,316	N1	4963	1.00	665	96.5	61.902	460	1;43;44
		1200	588/9	60012ET3G588/9-W22	\$71,374	N1	6168	1.00	743	96.2	69.381	460	1;43;44
650	480	3600	588/9S	65036ET3G588/9S-W22	\$66,835	N1	4805	1.00	685	96.6	62.506	460	1;43;44
		1800	588/9	65018ET3G588/9-W22	\$66,701	N1	5597	1.00	734	96.6	69.381	460	1;43;44
700	515	3600	588/9S	70036ET3G588/9S-W22	\$71,254	N1	5680	1.00	736	96.6	62.506	460	1;19;43;44
		1800	588/9	70018ET3G588/9-W22	\$71,185	N1	5940	1.00	788	96.6	69.381	460	1;43;44
750	550	1800	588/9	75018ET3G588/9-W22	\$74,025	N1	3308	1.00	840	96.7	69.381	460	1;43;44

Severe Duty - Three-Phase Motors

Please refer to back cover for description of "NOTES"

For detailed specifications, data sheets, drawings and performance curves visit <http://www.weg.net>

Data subject to change without notice.

Can't find what you are looking for? Call 1-800-ASK-4WEG (275-4934)

Severe Duty - Three-Phase Motors



GENERAL PURPOSE

TEFC - C-Face - Foot Mount

HP	kW	RPM	Frame	Catalog Number	List Price	Mult. Symbol	Approx. Shipping Weight (lbs)	Service Factor	FL Amps @ High	FL Eff (%)	"C" Dimension (in)	Voltage (V)	Notes
1	0.75	3600	143/5TC	00136ET3E143TC-W22	\$566	N1	47	1.25	1.44	81.5	13.358	230/460	
		1800	143/5TC	00118ET3E143TC-W22	\$555	N1	50	1.25	1.47	85.5	13.358	230/460	
		1800	143/5TC	00118ET3H143TC-W22	\$555	N1	50	1.25	1.18	85.5	13.358	575	
		1200	143/5TC	00112ET3E145TC-W22	\$636	N1	57	1.25	1.73	82.5	13.358	230/460	
1.5	1.1	3600	143/5TC	00156ET3E143TC-W22	\$571	N1	52	1.25	1.96	84.0	13.358	230/460	
		3600	143/5TC	00156ET3H143TC-W22	\$571	N1	51	1.25	1.57	84.0	13.358	575	
		1800	143/5TC	00158ET3E145TC-W22	\$579	N1	56	1.25	2.02	86.5	13.358	230/460	
		1800	143/5TC	00158ET3H145TC-W22	\$579	N1	56	1.25	1.62	86.5	13.358	575	
		1200	182/4TC	00152ET3E182TC-W22	\$792	N1	101	1.25	2.54	87.5	15.860	230/460	
2	1.5	3600	143/5TC	00236ET3E145TC-W22	\$619	N1	56	1.25	2.56	85.5	13.358	230/460	
		3600	143/5TC	00236ET3H145TC-W22	\$619	N1	56	1.25	2.05	85.5	13.358	575	
		1800	143/5TC	00218ET3E145TC-W22	\$640	N1	53	1.25	2.76	86.5	13.358	230/460	
		1800	143/5TC	00218ET3H145TC-W22	\$640	N1	57	1.25	2.21	86.5	13.358	575	
		1200	182/4TC	00212ET3E184TC-W22	\$857	N1	112	1.25	3.22	88.5	15.860	230/460	39
3	2.2	3600	182/4TC	00336ET3E182TC-W22	\$802	N1	103	1.25	3.63	86.5	15.860	230/460	
		3600	182/4TC	00336ET3H182TC-W22	\$802	N1	103	1.25	2.90	86.5	15.860	575	
		1800	182/4TC	00318ET3E182TC-W22	\$700	N1	96	1.25	3.91	89.5	15.860	230/460	
		1800	182/4TC	00318ET3H182TC-W22	\$700	N1	98	1.25	3.13	89.5	15.860	575	
		1200	213/5TC	00312ET3E213TC-W22	\$1,180	N1	166	1.25	4.41	89.5	19.517	230/460	
		900	213/5TC	00309ET3E215TC-W22	\$2,166	N1	192	1.25	4.55	85.5	19.517	230/460	
5	3.7	3600	182/4TC	00536ET3E184TC-W22	\$911	N1	110	1.25	5.90	88.5	15.860	230/460	
		3600	182/4TC	00536ET3H184TC-W22	\$911	N1	109	1.25	4.72	88.5	15.860	575	
		1800	182/4TC	00518ET3E184TC-W22	\$810	N1	107	1.25	6.45	89.5	15.860	230/460	
		1800	182/4TC	00518ET3H184TC-W22	\$810	N1	108	1.25	5.16	89.5	15.860	575	
		1200	213/5TC	00512ET3E215TC-W22	\$1,384	N1	183	1.25	6.83	89.5	19.517	230/460	
7.5	5.5	3600	182/4TC	00736ET3E184TC-W22	\$1,112	N1	110	1.25	8.76	89.5	15.860	230/460	
		3600	182/4TC	00736ET3H184TC-W22	\$1,112	N1	109	1.25	7.01	89.5	15.860	575	
		3600	213/5TC	00736ET3E213TC-W22	\$1,177	N1	166	1.25	8.76	89.5	19.517	230/460	
		3600	213/5TC	00736ET3H213TC-W22	\$1,177	N1	166	1.25	7.01	89.5	19.517	575	
		1800	213/5TC	00718ET3E213TC-W22	\$1,141	N1	174	1.25	9.18	91.7	19.517	230/460	
		1800	213/5TC	00718ET3H213TC-W22	\$1,141	N1	178	1.25	7.34	91.7	19.517	575	
		1200	254/6TC	00712ET3E254TC-W22	\$2,134	N1	321	1.25	9.48	91.0	24.945	230/460	
		900	254/6TC	00709ET3E256TC-W22	\$3,726	N1	341	1.25	11.1	87.5	24.945	230/460	
10	7.5	3600	213/5TC	01036ET3E215TC-W22	\$1,383	N1	178	1.25	11.6	90.2	19.517	230/460	
		3600	213/5TC	01036ET3H215TC-W22	\$1,383	N1	183	1.25	9.28	90.2	19.517	575	
		1800	213/5TC	01018ET3E215TC-W22	\$1,325	N1	183	1.25	12.4	91.7	19.517	230/460	
		1800	213/5TC	01018ET3H215TC-W22	\$1,325	N1	191	1.25	9.92	91.7	19.517	575	
		1200	254/6TC	01012ET3E256TC-W22	\$2,465	N1	329	1.25	12.9	91.0	24.945	230/460	
15	11	3600	213/5TC	01536ET3E215TC-W22	\$1,748	N1	187	1.25	17.0	91.0	19.517	230/460	
		3600	254/6TC	01536ET3E254TC-W22	\$1,893	N1	295	1.25	17.2	91.0	24.945	230/460	
		3600	254/6TC	01536ET3H254TC-W22	\$1,893	N1	302	1.25	13.8	91.0	24.945	575	
		1800	254/6TC	01518ET3E254TC-W22	\$1,917	N1	340	1.25	18.0	92.4	24.945	230/460	
		1800	254/6TC	01518ET3H254TC-W22	\$1,917	N1	351	1.25	14.4	92.4	24.945	575	
		1200	284/6TC	01512ET3E284TC-W22	\$3,388	N1	430	1.25	17.9	91.7	27.929	230/460	
		1200	284/6TC	01512ET3H284TC-W22	\$3,388	N1	428	1.25	14.3	91.7	27.929	575	

continued on next page

Please refer to back cover for description of "NOTES"

For detailed specifications, data sheets, drawings and performance curves visit <http://www.weg.net>

Severe Duty - Three-Phase Motors



TEFC - C-Face - Foot Mount - *continued*

HP	kW	RPM	Frame	Catalog Number	List Price	Mult. Symbol	Approx. Shipping Weight (lbs)	Service Factor	FL Amps @ High	FL. Eff (%)	"C" Dimension (in)	Voltage (V)	Notes
20	15	3600	254/6TC	02036ET3E256TC-W22	\$2,451	N1	318	1.25	23.2	91.0	24.945	230/460	
		3600	254/6TC	02036ET3H256TC-W22	\$2,451	N1	327	1.25	18.6	91.0	24.945	575	
		1800	254/6TC	02018ET3E256TC-W22	\$2,270	N1	389	1.25	24.1	93.0	24.945	230/460	
		1800	254/6TC	02018ET3H256TC-W22	\$2,270	N1	401	1.25	19.3	93.0	24.945	575	
		1200	284/6TC	02012ET3E286TC-W22	\$4,060	N1	457	1.25	24.2	91.7	27.929	230/460	
25	18.5	3600	284/6TSC	02536ET3E284TSC-W22	\$3,096	N1	416	1.25	28.5	91.7	26.557	230/460	
		3600	284/6TSC	02536ET3H284TSC-W22	\$3,096	N1	413	1.25	22.8	91.7	26.557	575	
		1800	284/6TC	02518ET3E284TC-W22	\$2,840	N1	418	1.25	29.5	93.6	27.929	230/460	
		1800	284/6TC	02518ET3H284TC-W22	\$2,840	N1	447	1.25	23.6	93.6	27.929	575	
		1200	324/6TC	02512ET3E324TC-W22	\$4,858	N1	601	1.25	30.4	93.0	31.116	230/460	
30	22	3600	284/6TSC	03036ET3E286TSC-W22	\$3,659	N1	433	1.25	33.8	91.7	26.557	230/460	
		3600	284/6TSC	03036ET3H286TSC-W22	\$3,659	N1	433	1.25	27.0	91.7	26.557	575	
		1800	284/6TC	03018ET3E286TC-W22	\$3,321	N1	466	1.25	35.1	93.6	27.929	230/460	
		1800	284/6TC	03018ET3H286TC-W22	\$3,321	N1	484	1.25	28.1	93.6	27.929	575	
		1200	324/6TC	03012ET3E326TC-W22	\$5,394	N1	645	1.25	36.2	93.0	31.116	230/460	
40	30	3600	324/6TSC	04036ET3E324TSC-W22	\$4,845	N1	606	1.25	45.8	92.4	29.616	230/460	
		3600	324/6TSC	04036ET3H324TSC-W22	\$4,845	N1	605	1.25	36.6	92.4	29.616	575	
		1800	324/6TSC	04018ET3E324TSC-W22	\$4,300	N1	629	1.25	47.1	94.1	29.616	230/460	
		1800	324/6TC	04018ET3E324TC-W22	\$4,300	N1	606	1.25	47.1	94.1	31.116	230/460	
		1800	324/6TC	04018ET3H324TC-W22	\$4,300	N1	630	1.25	37.7	94.1	31.116	575	
		1200	364/5TC	04012ET3E364TC-W22	\$7,576	N1	1032	1.25	46.5	94.1	34.251	230/460	
50	37	3600	324/6TSC	05036ET3E326TSC-W22	\$5,437	N1	628	1.25	56.1	93.0	29.616	230/460	
		1800	324/6TSC	05018ET3E326TSC-W22	\$5,221	N1	614	1.25	59.2	94.5	29.616	230/460	
		1800	324/6TC	05018ET3E326TC-W22	\$5,221	N1	625	1.25	59.2	94.5	31.116	230/460	
		1800	324/6TC	05018ET3H326TC-W22	\$5,221	N1	651	1.25	47.4	94.5	31.116	575	
		1200	364/5TC	05012ET3E365TC-W22	\$8,960	N1	1048	1.25	57.4	94.1	34.251	230/460	
60	45	3600	364/5TSC	06036ET3E364TSC-W22	\$7,994	N1	990	1.25	67.0	93.6	32.338	230/460	
		3600	364/5TSC	06036ET3H364TSC-W22	\$7,994	N1	992	1.25	53.6	93.6	32.338	575	
		1800	364/5TC	06018ET3E364TC-W22	\$7,831	N1	961	1.25	68.3	95.0	34.251	230/460	
		1800	364/5TC	06018ET3H364TC-W22	\$7,831	N1	1060	1.25	54.6	95.0	34.251	575	
75	55	3600	364/5TSC	07536ET3E365TSC-W22	\$9,533	N1	993	1.25	81.9	93.6	32.338	230/460	
		1800	364/5TC	07518ET3E365TC-W22	\$9,148	N1	1024	1.25	84.1	95.4	34.251	230/460	
		1800	364/5TC	07518ET3H365TC-W22	\$9,148	N1	1075	1.25	67.3	95.4	34.251	575	
		1200	404/5TC	07512ET3H405TC-W22	\$12,549	N1	1337	1.25	67.9	94.5	39.730	575	
100	75	1800	404/5TSC	10018ET3E405TSC-W22	\$12,179	N1	1256	1.25	111	95.4	36.732	230/460	
		1800	404/5TC	10018ET3E405TC-W22	\$12,179	N1	1256	1.25	111	95.4	39.730	230/460	
		1800	404/5TC	10018ET3H405TC-W22	\$12,179	N1	1318	1.25	88.8	95.4	39.730	575	
125	90	1800	444/5TSC	12518ET3G444TSC-W22	\$16,218	N1	1759	1.15	139	95.4	41.407	460	
		1800	444/5TC	12518ET3E444TC-W22	\$16,218	N1	1887	1.15	139	95.4	45.157	230/460	
		1800	444/5TC	12518ET3G444TC-W22	\$16,218	N1	1851	1.15	139	95.4	45.157	460	
		1800	444/5TC	12518ET3H444TC-W22	\$16,218	N1	1851	1.15	111	95.4	45.157	575	
150	110	1800	444/5TC	15018ET3E445TC-W22	\$18,025	N1	1919	1.15	170	95.8	45.157	230/460	
		1800	444/5TC	15018ET3G445TC-W22	\$18,025	N1	1997	1.15	170	95.8	45.157	460	

continued on next page

Severe Duty -
Three-Phase
Motors

Please refer to back cover for description of "NOTES"

For detailed specifications, data sheets, drawings and performance curves visit <http://www.weg.net>

Data subject to change without notice.

Can't find what you are looking for? Call 1-800-ASK-4WEG (275-4934)

GENERAL PURPOSE

TEFC - C-Face - Foot Mount - *continued*

HP	kW	RPM	Frame	Catalog Number	List Price	Mult. Symbol	Approx. Shipping Weight (lbs)	Service Factor	FL Amps @ High	FL. Eff (%)	"C" Dimension (in)	Voltage (V)	Notes
200	150	1800	445/7TC	20018ET3G447TC-W22	\$21,704	N1	2523	1.15	230	96.2	48.701	460	
250	185	1800	445/7TSC	25018ET3G447TSC-W22	\$34,280	N1	2361	1.15	281	96.2	44.951	460	
		1800	445/7TSC	25018ET3Q447TSC-W22	\$27,322	N1	2836	1.15	281	96.2	44.951	460	
300	220	1800	447/9TC	30018ET3G449TC-W22	\$31,990	N1	3069	1.15	330	96.2	56.338	460	



TEFC - C-Face - Footless

HP	kW	RPM	Frame	Catalog Number	List Price	Mult. Symbol	Approx. Shipping Weight (lbs)	Service Factor	FL Amps @ High	FL. Eff (%)	"C" Dimension (in)	Voltage (V)	Notes
1	0.75	3600	143TC	00136ET3ER143TC-W22	\$577	N1	44	1.25	1.44	81.5	13.065	230/460	15
		1800	143TC	00118ET3ER143TC-W22	\$572	N1	47	1.25	1.47	85.5	13.065	230/460	15
		1200	145TC	00112ET3ER145TC-W22	\$655	N1	56	1.25	1.73	82.5	16.197	230/460	15
1.5	1.1	3600	143TC	00156ET3ER143TC-W22	\$588	N1	48	1.25	1.96	84.0	13.065	230/460	15
		1800	145TC	00158ET3ER145TC-W22	\$596	N1	55	1.25	2.02	86.5	14.077	230/460	15
		1200	182TC	00152ET3ER182TC-W22	\$816	N1	100	1.25	2.54	87.5	16.197	230/460	15,39
2	1.5	3600	145TC	00236ET3ER145TC-W22	\$638	N1	55	1.25	2.56	85.5	14.077	230/460	15
		1800	145TC	00218ET3ER145TC-W22	\$659	N1	56	1.25	2.76	86.5	14.077	230/460	15
		1200	184TC	00212ET3ER184TC-W22	\$883	N1	110	1.25	3.22	88.5	17.197	230/460	15,39
3	2.2	3600	145TC	00336ET3ER145TC-W22	\$677	N1	58	1.25	3.71	86.5	14.077	230/460	15
		3600	182TC	00336ET3ER182TC-W22	\$826	N1	108	1.25	3.63	86.5	16.197	230/460	15,39
		1800	182TC	00318ET3ER182TC-W22	\$721	N1	104	1.25	3.91	89.5	16.197	230/460	15,39
		1200	213TC	00312ET3ER213TC-W22	\$1,203	N1	154	1.25	4.41	89.5	19.399	230/460	15
5	3.7	3600	184TC	00536ET3ER184TC-W22	\$938	N1	115	1.25	5.90	88.5	17.197	230/460	15
		1800	184TC	00518ET3ER184TC-W22	\$834	N1	113	1.25	6.45	89.5	17.197	230/460	15
		1200	215TC	00512ET3ER215TC-W22	\$1,426	N1	178	1.25	6.83	89.5	20.895	230/460	15
7.5	5.5	3600	213TC	00736ET3ER213TC-W22	\$1,212	N1	155	1.25	8.76	89.5	19.399	230/460	15
		1800	213TC	00718ET3ER213TC-W22	\$1,175	N1	167	1.25	9.18	91.7	19.399	230/460	15
10	7.5	3600	215TC	01036ET3ER215TC-W22	\$1,424	N1	179	1.25	11.6	90.2	20.895	230/460	15
		1800	215TC	01018ET3ER215TC-W22	\$1,366	N1	187	1.25	12.4	91.7	20.895	230/460	15
15	11	3600	254TC	01536ET3ER254TC-W22	\$1,950	N1	300	1.25	17.2	91.0	25.063	230/460	15
		1800	254TC	01518ET3ER254TC-W22	\$1,975	N1	348	1.25	18.0	92.4	25.063	230/460	15
20	15	3600	256TC	02036ET3ER256TC-W22	\$2,525	N1	335	1.25	23.2	91.0	26.795	230/460	15
		1800	256TC	02018ET3ER256TC-W22	\$2,338	N1	407	1.25	24.1	93.0	26.795	230/460	15
25	18.5	3600	284TSC	02536ET3ER284TSC-W22	\$3,187	N1	406	1.25	28.5	91.7	27.305	230/460	15
		1800	284TC	02518ET3ER284TC-W22	\$2,925	N1	441	1.25	29.5	93.6	28.677	230/460	15
30	22	3600	286TSC	03036ET3ER286TSC-W22	\$3,767	N1	436	1.25	33.8	91.7	28.801	230/460	15
		1800	286TC	03018ET3ER286TC-W22	\$3,421	N1	489	1.25	35.1	93.6	30.173	230/460	15
		1200	326TSC	03012ET3ER326TSC-W22	\$5,768	N1	732	1.25	36.2	93.0	32.254	230/460	15
40	30	3600	324TSC	04036ET3ER324TSC-W22	\$4,988	N1	684	1.25	45.8	92.4	30.758	230/460	15
		1800	324TC	04018ET3ER324TC-W22	\$4,429	N1	613	1.25	47.1	94.1	32.258	230/460	15
50	37	1800	326TC	05018ET3ER326TC-W22	\$5,378	N1	648	1.25	59.2	94.5	33.754	230/460	15
60	45	1800	364/5TC	06018ET3ER364TC-W22	\$8,053	N1	869	1.25	68.3	95.0	37.440	230/460	15
75	55	1800	364/5TC	07518ET3ER365TC-W22	\$9,408	N1	1256	1.25	84.1	95.4	37.440	230/460	15

Please refer to back cover for description of "NOTES"

For detailed specifications, data sheets, drawings and performance curves visit <http://www.weg.net>

Severe Duty Three-Phase Motors

IEEE 841 - THREE PHASE

TEFC - NEMA Premium®

WEG's IEEE 841 motors are specially suited for Pulp & Paper mills, Steel mills, Petrochemical Plants and diverse demanding applications requiring severe duty long life motors.

WEG's W22 cast iron platform has a superior cooling system and solid feet for cool operation and lower vibration and noise extending the life of the motor.

Standard Features:

- Class F insulation (Impregnation Resin and magnet wire are class H)
- F1 Mounted (F2 convertible). Frames 447T and up can easily be F2 converted by simply rotating the terminal box adapter
- Stainless Steel Nameplate - Laser etched with high contrast background
- All frames with regreasable ball bearings
- Class I, Div. 2, Groups A, B, C & D – T3, Class II, Div 2, Groups F & G – T3C

*Inverter Rated:

1000:1 for variable torque

20:1 for constant torque

** Frame 586/7 250HP and up 6:1 CT and 1000:1 VT*

** Insulated housing standard on L447/9T and above*



Severe Duty - Three-Phase Motors

Features that make a difference:

- 1.25 Service Factor up to 100 HP
- InproSeal Bearing Isolators both ends
- Bearing protection meets IP56
- Rubber lead separator between terminal box and frame
- Vibration: 0.04 inches per second or less
- Guaranteed foot flatness to within 0.005"
- Bearing life 50,000 hours (L-10)
- Epoxy Paint system exceeds 250hrs Salt Fog test
- Interior surfaces are epoxy coated
- Non-sparking fan
- NPT Threaded terminal box
- Seamless copper lead lugs
- Seamless Stainless Steel grease extension tubes
- Automatic grease relief fittings
- IEEE 841 Test Report in conduit box
- Suitable for IEEE45 USCG 259 – Marine Duty

ADDITIONAL TECHNICAL DATA

ELECTRICAL DATA: B-12

MECHANICAL DATA: B-68



Severe Duty - Three-Phase Motors



IEEE 841

TEFC - Foot Mount

HP	kW	RPM	Frame	Catalog Number	List Price	Mult. Symbol	Approx. Shipping Weight (lbs)	Service Factor	FL Amps @ High	FL. Eff (%)	"C" Dimension (in)	Voltage (V)	Notes
1	0.75	1800	143/5T	00118ST3QIE143T-W22	\$922	I1	58	1.25	1.47	85.5	13.358	460	
		1800	143/5T	00118ST3HIE143T-W22	\$922	I1	58	1.25	1.18	85.5	13.358	575	
		1200	143/5T	00112ST3QIE145T-W22	\$1,062	I1	66	1.25	1.73	82.5	13.358	460	
		1200	143/5T	00112ST3HIE145T-W22	\$1,062	I1	66	1.25	1.38	82.5	13.358	575	
		900	182/4T	00109ST3QIE182T-W22	\$2,006	I1	97	1.25	2.30	78.5	15.860	460	
1.5	1.1	3600	143/5T	00156ST3QIE143T-W22	\$981	I1	59	1.25	1.96	84.0	13.358	460	
		3600	143/5T	00156ST3HIE143T-W22	\$981	I1	43	1.25	1.57	84.0	13.358	575	
		1800	143/5T	00158ST3QIE145T-W22	\$981	I1	63	1.25	2.02	86.5	13.358	460	
		1800	143/5T	00158ST3HIE145T-W22	\$981	I1	63	1.25	1.62	86.5	13.358	575	
		1200	182/4T	00152ST3QIE182T-W22	\$1,286	I1	108	1.25	2.54	87.5	15.860	460	
		1200	182/4T	00152ST3HIE182T-W22	\$1,286	I1	74	1.25	2.03	87.5	15.860	575	
		900	182/4T	00159ST3QIE184T-W22	\$2,016	I1	112	1.25	2.70	82.5	15.860	460	
2	1.5	3600	143/5T	00236ST3QIE145T-W22	\$1,023	I1	64	1.25	2.56	85.5	13.358	460	
		3600	143/5T	00236ST3HIE145T-W22	\$1,023	I1	64	1.25	2.05	85.5	13.358	575	
		1800	143/5T	00218ST3QIE145T-W22	\$1,023	I1	64	1.25	2.76	86.5	13.358	460	
		1800	143/5T	00218ST3HIE145T-W22	\$1,023	I1	64	1.25	2.21	86.5	13.358	575	
		1200	182/4T	00212ST3QIE184T-W22	\$1,363	I1	113	1.25	3.22	88.5	15.860	460	
		1200	182/4T	00212ST3HIE184T-W22	\$1,363	I1	114	1.25	2.58	88.5	15.860	575	39
		900	213/5T	00209ST3QIE213T-W22	\$2,701	I1	154	1.25	3.39	85.5	19.517	460	
3	2.2	3600	182/4T	00336ST3QIE182T-W22	\$1,267	I1	109	1.25	3.63	86.5	15.860	460	
		3600	182/4T	00336ST3HIE182T-W22	\$1,267	I1	108	1.25	2.90	86.5	15.860	575	
		1800	182/4T	00318ST3QIE182T-W22	\$1,224	I1	106	1.25	3.91	89.5	15.860	460	
		1800	182/4T	00318ST3HIE182T-W22	\$1,224	I1	104	1.25	3.13	89.5	15.860	575	
		1200	213/5T	00312ST3QIE213T-W22	\$1,537	I1	173	1.25	4.41	89.5	19.517	460	
		1200	213/5T	00312ST3HIE213T-W22	\$1,537	I1	173	1.25	3.53	89.5	19.517	575	
		900	213/5T	00309ST3QIE215T-W22	\$2,883	I1	199	1.25	4.55	85.5	19.517	460	
5	3.7	3600	182/4T	00536ST3QIE184T-W22	\$1,429	I1	116	1.25	5.90	88.5	15.860	460	
		3600	182/4T	00536ST3HIE184T-W22	\$1,429	I1	116	1.25	4.72	88.5	15.860	575	
		1800	182/4T	00518ST3QIE184T-W22	\$1,371	I1	115	1.25	6.45	89.5	15.860	460	
		1800	182/4T	00518ST3HIE184T-W22	\$1,371	I1	115	1.25	5.16	89.5	15.860	575	
		1200	213/5T	00512ST3QIE215T-W22	\$1,901	I1	191	1.25	6.83	89.5	19.517	460	
		1200	213/5T	00512ST3HIE215T-W22	\$1,901	I1	191	1.25	5.46	89.5	19.517	575	
		900	254/6T	00509ST3QIE254T-W22	\$4,243	I1	306	1.25	7.58	87.5	24.945	460	
7.5	5.5	3600	213/5T	00736ST3QIE213T-W22	\$1,751	I1	174	1.25	8.76	89.5	19.517	460	
		3600	213/5T	00736ST3HIE213T-W22	\$1,751	I1	173	1.25	7.01	89.5	19.517	575	
		1800	213/5T	00718ST3QIE213T-W22	\$1,646	I1	185	1.25	9.18	91.7	19.517	460	
		1800	213/5T	00718ST3HIE213T-W22	\$1,646	I1	185	1.25	7.34	91.7	19.517	575	
		1200	254/6T	00712ST3QIE254T-W22	\$2,544	I1	322	1.25	9.48	91.0	24.945	460	
		1200	254/6T	00712ST3HIE254T-W22	\$2,544	I1	299	1.25	7.58	91.0	24.945	575	
		900	254/6T	00709ST3QIE256T-W22	\$5,040	I1	321	1.25	11.1	87.5	24.945	460	

continue on next page

Please refer to back cover for description of "NOTES"

For detailed specifications, data sheets, drawings and performance curves visit <http://www.weg.net>

Severe Duty - Three-Phase Motors



TEFC - Foot Mount - *continued*

HP	kW	RPM	Frame	Catalog Number	List Price	Mult. Symbol	Approx. Shipping Weight (lbs)	Service Factor	FL Amps @ High	FL Eff (%)	"C" Dimension (in)	Voltage (V)	Notes
10	7.5	3600	213/5T	01036ST3QIE215T-W22	\$1,920	11	191	1.25	11.6	90.2	19.517	460	
		3600	213/5T	01036ST3HIE215T-W22	\$1,920	11	191	1.25	9.28	90.2	19.517	575	
		1800	213/5T	01018ST3QIE215T-W22	\$1,760	11	188	1.25	12.4	91.7	19.517	460	
		1800	213/5T	01018ST3HIE215T-W22	\$1,760	11	199	1.25	9.92	91.7	19.517	575	
		1200	254/6T	01012ST3QIE256T-W22	\$2,834	11	329	1.25	12.9	91.0	24.945	460	
		1200	254/6T	01012ST3HIE256T-W22	\$2,834	11	329	1.25	10.3	91.0	24.945	575	
		900	284/6T	01009ST3QIE284T-W22	\$5,936	11	380	1.25	13.4	90.2	27.929	460	
15	11	3600	254/6T	01536ST3QIE254T-W22	\$2,428	11	303	1.25	17.2	91.0	24.945	460	
		3600	254/6T	01536ST3HIE254T-W22	\$2,428	11	303	1.25	13.8	91.0	24.945	575	
		1800	254/6T	01518ST3QIE254T-W22	\$2,257	11	341	1.25	18.0	92.4	24.945	460	
		1800	254/6T	01518ST3HIE254T-W22	\$2,257	11	351	1.25	14.4	92.4	24.945	575	
		1200	284/6T	01512ST3QIE284T-W22	\$4,203	11	430	1.25	17.9	91.7	27.929	460	
		1200	284/6T	01512ST3HIE284T-W22	\$4,203	11	425	1.25	14.3	91.7	27.929	575	
		900	284/6T	01509ST3QIE286T-W22	\$6,742	11	437	1.25	19.4	90.2	27.929	460	
20	15	3600	254/6T	02036ST3QIE256T-W22	\$2,957	11	329	1.25	23.2	91.0	24.945	460	
		3600	254/6T	02036ST3HIE256T-W22	\$2,957	11	328	1.25	18.6	91.0	24.945	575	
		1800	254/6T	02018ST3QIE256T-W22	\$2,597	11	385	1.25	24.1	93.0	24.945	460	
		1800	254/6T	02018ST3HIE256T-W22	\$2,597	11	400	1.25	19.3	93.0	24.945	575	
		1200	284/6T	02012ST3QIE286T-W22	\$4,773	11	456	1.25	24.2	91.7	27.929	460	
		1200	284/6T	02012ST3HIE286T-W22	\$4,773	11	456	1.25	19.4	91.7	27.929	575	
		900	324/6T	02009ST3QIE324T-W22	\$8,269	11	551	1.25	28.3	91.0	31.116	460	
25	18.5	3600	284/6TS	02536ST3QIE284TS-W22	\$3,368	11	413	1.25	28.5	91.7	26.557	460	
		3600	284/6TS	02536ST3HIE284TS-W22	\$3,368	11	403	1.25	22.8	91.7	26.557	575	
		1800	284/6T	02518ST3QIE284T-W22	\$2,926	11	448	1.25	29.5	93.6	27.929	460	
		1800	284/6T	02518ST3HIE284T-W22	\$2,926	11	447	1.25	23.6	93.6	27.929	575	
		1200	324/6T	02512ST3QIE324T-W22	\$5,211	11	588	1.25	30.4	93.0	31.116	460	
		1200	324/6T	02512ST3HIE324T-W22	\$5,211	11	587	1.25	24.3	93.0	31.116	575	
		900	324/6T	02509ST3QIE326T-W22	\$8,838	11	596	1.25	35.9	91.0	31.116	460	
30	22	3600	284/6TS	03036ST3QIE286TS-W22	\$3,799	11	433	1.25	33.8	91.7	26.557	460	
		3600	284/6TS	03036ST3HIE286TS-W22	\$3,799	11	433	1.25	27.0	91.7	26.557	575	
		1800	284/6T	03018ST3QIE286T-W22	\$3,509	11	454	1.25	35.1	93.6	27.929	460	
		1800	284/6T	03018ST3HIE286T-W22	\$3,509	11	484	1.25	28.1	93.6	27.929	575	
		1200	324/6T	03012ST3QIE326T-W22	\$5,359	11	633	1.25	35.8	93.0	31.116	460	
		1200	324/6T	03012ST3HIE326T-W22	\$5,359	11	632	1.25	28.6	93.0	31.116	575	
		900	364/5T	03009ST3QIE364T-W22	\$13,149	11	900	1.25	37.0	92.4	34.251	460	
40	30	3600	324/6TS	04036ST3QIE324TS-W22	\$5,306	11	591	1.25	45.8	92.4	29.616	460	
		3600	324/6TS	04036ST3HIE324TS-W22	\$5,306	11	591	1.25	36.6	92.4	29.616	575	
		1800	324/6T	04018ST3QIE324T-W22	\$4,692	11	590	1.25	47.1	94.1	31.116	460	
		1800	324/6T	04018ST3HIE324T-W22	\$4,692	11	617	1.25	37.7	94.1	31.116	575	
		1200	364/5T	04012ST3QIE364T-W22	\$8,636	11	1007	1.25	46.5	94.1	34.251	460	
		1200	364/5T	04012ST3HIE364T-W22	\$8,636	11	1003	1.25	37.2	94.1	34.251	575	
		900	364/5T	04009ST3QIE365T-W22	\$14,909	11	955	1.25	50.3	92.4	34.251	460	

continued on next page

Please refer to back cover for description of "NOTES"

For detailed specifications, data sheets, drawings and performance curves visit <http://www.weg.net>

Data subject to change without notice.

Can't find what you are looking for? Call 1-800-ASK-4WEG (275-4934)

Severe Duty - Three-Phase Motors



IEEE 841

TEFC - Foot Mount - *continued*

HP	kW	RPM	Frame	Catalog Number	List Price	Mult. Symbol	Approx. Shipping Weight (lbs)	Service Factor	FL Amps @ High	FL Eff (%)	"C" Dimension (in)	Voltage (V)	Notes
50	37	3600	324/6TS	05036ST3QIE326TS-W22	\$5,970	I1	613	1.25	56.1	93.0	29.616	460	
		3600	324/6TS	05036ST3HIE326TS-W22	\$5,970	I1	612	1.25	44.9	93.0	29.616	575	
		1800	324/6T	05018ST3QIE326T-W22	\$5,233	I1	610	1.25	59.2	94.5	31.116	460	
		1800	324/6T	05018ST3HIE326T-W22	\$5,233	I1	636	1.25	47.4	94.5	31.116	575	
		1200	364/5T	05012ST3QIE365T-W22	\$9,369	I1	1022	1.25	57.4	94.1	34.251	460	
		1200	364/5T	05012ST3HIE365T-W22	\$9,369	I1	1019	1.25	45.9	94.1	34.251	575	
		900	404/5T	05009ST3QIE404T-W22	\$19,331	I1	1214	1.25	60.0	93.0	39.730	460	
60	45	3600	364/5TS	06036ST3QIE364TS-W22	\$8,665	I1	965	1.25	67.0	93.6	32.338	460	
		3600	364/5TS	06036ST3HIE364TS-W22	\$8,665	I1	963	1.25	53.6	93.6	32.338	575	
		1800	364/5T	06018ST3QIE364T-W22	\$8,044	I1	957	1.25	68.3	95.0	34.251	460	
		1800	364/5T	06018ST3HIE364T-W22	\$8,044	I1	1030	1.25	54.6	95.0	34.251	575	
		1200	404/5T	06012ST3QIE404T-W22	\$11,790	I1	1253	1.25	69.5	94.5	39.730	460	
		1200	404/5T	06012ST3HIE404T-W22	\$11,790	I1	1249	1.25	55.6	94.5	39.730	575	
		900	404/5T	06009ST3QIE405T-W22	\$22,579	I1	1261	1.25	73.0	93.0	39.730	460	
75	55	3600	364/5TS	07536ST3QIE365TS-W22	\$10,210	I1	1012	1.25	81.9	93.6	32.338	460	
		3600	364/5TS	07536ST3HIE365TS-W22	\$10,210	I1	972	1.25	65.5	93.6	32.338	575	
		1800	364/5T	07518ST3QIE365T-W22	\$9,289	I1	996	1.25	84.1	95.4	34.251	460	
		1800	364/5T	07518ST3HIE365T-W22	\$9,289	I1	1045	1.25	67.3	95.4	34.251	575	
		1200	404/5T	07512ST3QIE405T-W22	\$12,866	I1	1317	1.25	84.9	94.5	39.730	460	
		1200	404/5T	07512ST3QIERB405T-W2	\$12,866	I1	1326	1.25	84.9	94.5	39.730	460	14
		1200	404/5T	07512ST3HIE405T-W22	\$12,866	I1	1298	1.25	67.9	94.5	39.730	575	
		900	444/5T	07509ST3QIE444T-W22	\$23,457	I1	1666	1.25	93.0	93.6	44.950	460	
100	75	3600	404/5TS	10036ST3QIE405TS-W22	\$12,806	I1	1182	1.25	110	94.1	36.732	460	
		3600	404/5TS	10036ST3HIE405TS-W22	\$12,806	I1	1191	1.25	88.0	94.1	36.732	575	
		1800	404/5T	10018ST3QIE405T-W22	\$12,471	I1	1276	1.25	116	95.4	39.730	460	
		1800	404/5T	10018ST3QIERB405T-W2	\$12,471	I1	1292	1.25	116	95.4	39.730	460	14
		1800	404/5T	10018ST3HIE405T-W22	\$12,471	I1	1339	1.25	92.8	95.4	39.730	575	
		1800	404/5T	10018ST3HIERB405T-W2	\$12,471	I1	1348	1.25	92.8	95.4	39.730	575	14
		1200	444/5T	10012ST3QIE444T-W22	\$17,933	I1	1800	1.25	121	95.0	44.950	460	
		1200	444/5T	10012ST3QIERB444T-W2	\$17,933	I1	1915	1.25	121	95.0	44.950	460	14
		1200	444/5T	10012ST3HIE444T-W22	\$17,933	I1	1900	1.25	96.8	95.0	44.950	575	
		900	444/5T	10009ST3QIE445T-W22	\$24,681	I1	1944	1.25	127	94.1	44.950	460	
900	444/5T	10009ST3QIERB445T-W2	\$24,681	I1	1763	1.25	127	94.1	44.950	460	14		
125	90	3600	444/5TS	12536ST3QIE444TS-W22	\$18,198	I1	1805	1.15	134	95.0	41.200	460	
		3600	444/5TS	12536ST3HIE444TS-W22	\$18,198	I1	1796	1.15	107	95.0	41.200	575	
		1800	444/5T	12518ST3QIE444T-W22	\$16,564	I1	1708	1.15	139	95.4	44.950	460	
		1800	444/5T	12518ST3QIERB444T-W2	\$16,564	I1	1836	1.15	139	95.4	44.950	460	14
		1800	444/5T	12518ST3HIE444T-W22	\$16,564	I1	1822	1.15	111	95.4	44.950	575	
		1200	444/5T	12512ST3QIE445T-W22	\$20,158	I1	2016	1.15	143	95.0	44.950	460	
		1200	444/5T	12512ST3QIERB445T-W2	\$20,158	I1	2028	1.15	143	95.0	44.950	460	14
		1200	444/5T	12512ST3HIE445T-W22	\$20,158	I1	2013	1.15	114	95.0	44.950	575	
		900	445/7T	12509ST3QIE447T-W22	\$29,733	I1	2239	1.15	151	94.5	48.701	460	
900	445/7T	12509ST3QIERB447T-W2	\$29,733	I1	2273	1.15	151	94.5	48.701	460	14		

continued on next page

Please refer to back cover for description of "NOTES"

For detailed specifications, data sheets, drawings and performance curves visit <http://www.weg.net>



TEFC - Foot Mount - *continued*

HP	kW	RPM	Frame	Catalog Number	List Price	Mult. Symbol	Approx. Shipping Weight (lbs)	Service Factor	FL Amps @ High	FL Eff (%)	"C" Dimension (in)	Voltage (V)	Notes
150	110	3600	444/5TS	15036ST3QIE445TS-W22	\$21,433	I1	1900	1.15	161	95.0	41.200	460	
		3600	444/5TS	15036ST3HIE445TS-W22	\$21,433	I1	1908	1.15	129	95.0	41.200	575	
		1800	444/5T	15018ST3QIE445T-W22	\$18,587	I1	1910	1.15	170	95.8	44.950	460	
		1800	444/5T	15018ST3QIERB445T-W2	\$18,587	I1	2041	1.15	170	95.8	44.950	460	14
		1800	444/5T	15018ST3HIE445T-W22	\$18,587	I1	2027	1.15	136	95.8	44.950	575	
		1800	444/5T	15018ST3HIERB445T-W2	\$18,587	I1	2038	1.15	136	95.8	44.950	575	14
		1200	445/7T	15012ST3QIE447T-W22	\$23,181	I1	2511	1.15	176	95.8	48.701	460	
		1200	445/7T	15012ST3QIERB447T-W2	\$23,181	I1	2543	1.15	176	95.8	48.701	460	14
		1200	445/7T	15012ST3HIE447T-W22	\$23,181	I1	2531	1.15	141	95.8	48.701	575	
		900	445/7T	15009ST3QIE447T-W22	\$34,755	I1	2409	1.15	185	94.5	48.701	460	
900	445/7T	15009ST3QIERB447T-W2	\$34,755	I1	2421	1.15	185	94.5	48.701	460	14		
200	150	3600	445/7TS	20036ST3QIE447TS-W22	\$28,568	I1	2240	1.15	219	95.4	44.951	460	
		3600	445/7TS	20036ST3HIE447TS-W22	\$28,568	I1	2209	1.15	175	95.4	44.951	575	
		1800	445/7T	20018ST3QIE447T-W22	\$23,696	I1	2320	1.15	230	96.2	48.701	460	
		1800	445/7T	20018ST3QIERB447T-W2	\$23,696	I1	2520	1.15	230	96.2	48.701	460	14
		1800	445/7T	20018ST3HIE447T-W22	\$23,696	I1	2502	1.15	184	96.2	48.701	575	
		1200	447/9T	20012ST3QIE449T-W22	\$27,577	I1	2978	1.15	237	95.8	56.338	460	
		1200	447/9T	20012ST3QIERB449T-W2	\$27,557	I1	3052	1.15	237	95.8	56.338	460	14
		1200	447/9T	20012ST3HIE449T-W22	\$27,577	I1	3030	1.15	190	95.8	56.338	575	
		1200	447/9T	20012ST3HIERB449T-W2	\$27,557	I1	3046	1.15	190	95.8	56.338	575	14
		900	L447/9T	20009ST3QIE449T-W22	\$57,394	I1	3655	1.15	242	95.0	57.181	460	43
900	L447/9T	20009ST3QIERB449T-W2	\$57,394	I1	3669	1.15	242	95.0	57.181	460	14;43		
900	L447/9T	20009ST3HIE449T-W22	\$57,394	I1	3569	1.15	194	95.0	57.181	575	43		
250	185	3600	447/9TS	25036ST3QIE449TS-W22	\$34,663	I1	2603	1.15	266	95.8	52.940	460	
		1800	447/9T	25018ST3QIE449T-W22	\$30,081	I1	2904	1.15	281	96.2	56.338	460	
		1800	447/9T	25018ST3QIERB449T-W2	\$30,081	I1	2869	1.15	281	96.2	56.338	460	14
		1200	447/9T	25012ST3QIE449T-W22	\$39,415	I1	3190	1.15	292	95.8	56.338	460	
		1200	447/9T	25012ST3QIERB449T-W2	\$39,415	I1	2702	1.15	292	95.8	56.338	460	14
300	220	1800	447/9T	30018ST3QIE449T-W22	\$36,810	I1	3102	1.15	330	96.2	56.338	460	
		1800	447/9T	30018ST3QIERB449T-W2	\$36,810	I1	3130	1.15	330	96.2	56.338	460	14
		1200	L447/9T	30012ST3QIE449T-W22	\$44,648	I1	3645	1.15	351	95.8	57.181	460	43
		1200	L447/9T	30012ST3QIERB449T-W2	\$44,648	I1	3571	1.15	351	95.8	57.181	460	14;43
350	260	1800	L447/9T	35018ST3QIE449T-W22	\$44,105	I1	3580	1.15	394	96.2	57.181	460	43
		1800	L447/9T	35018ST3QIERB449T-W2	\$44,105	I1	3580	1.15	394	96.2	57.181	460	14;43
		1200	L447/9T	35012ST3QIE449T-W22	\$52,634	I1	3824	1.15	415	95.8	57.181	460	43, 37
		1200	L447/9T	35012ST3QIERB449T-W2	\$52,634	I1	3756	1.15	415	95.8	57.181	460	14;43
400	300	1800	L447/9T	40018ST3QIE449T-W22	\$48,396	I1	3467	1.15	455	96.2	57.181	460	43
		1800	L447/9T	40018ST3QIERB449T-W2	\$48,396	I1	3467	1.15	455	96.2	57.181	460	14;43

Severe Duty - Three-Phase Motors

Please refer to back cover for description of "NOTES"

For detailed specifications, data sheets, drawings and performance curves visit <http://www.weg.net>

Data subject to change without notice.

Can't find what you are looking for? Call 1-800-ASK-4WEG (275-4934)



TEFC - C-Face - Foot Mount

HP	kW	RPM	Frame	Catalog Number	List Price	Mult. Symbol	Approx. Shipping Weight (lbs)	Service Factor	FL Amps @ High	FL. Eff (%)	"C" Dimension (in)	Voltage (V)	Notes
1	0.75	1800	143/5TC	00118ST3QIE143TC-W22	\$972	I1	55	1.25	1.47	85.5	13.358	460	
		1200	143/5TC	00112ST3QIE145TC-W22	\$1,112	I1	63	1.25	1.73	82.5	13.358	460	
1.5	1.1	3600	143/5TC	00156ST3QIE143TC-W22	\$1,031	I1	57	1.25	1.96	84.0	13.358	460	
		1800	143/5TC	00158ST3QIE145TC-W22	\$1,031	I1	61	1.25	2.02	86.5	13.358	460	
		1200	182/4TC	00152ST3QIE182TC-W22	\$1,351	I1	112	1.25	2.54	87.5	15.860	460	
		900	182/4TC	00159ST3QIE184TC-W22	\$2,081	I1	116	1.25	2.70	82.5	15.860	460	
		3600	143/5TC	00236ST3QIE145TC-W22	\$1,073	I1	62	1.25	2.56	85.5	13.358	460	
2	1.5	1800	143/5TC	00218ST3QIE145TC-W22	\$1,073	I1	62	1.25	2.76	86.5	13.358	460	
		1200	182/4TC	00212ST3QIE184TC-W22	\$1,428	I1	117	1.25	3.22	88.5	15.860	460	39
		900	213/5TC	00209ST3QIE213TC-W22	\$2,781	I1	185	1.25	3.39	85.5	19.517	460	
3	2.2	3600	182/4TC	00336ST3QIE182TC-W22	\$1,332	I1	113	1.25	3.63	86.5	15.860	460	
		1800	182/4TC	00318ST3QIE182TC-W22	\$1,289	I1	109	1.25	3.91	89.5	15.860	460	
		1200	213/5TC	00312ST3QIE213TC-W22	\$1,617	I1	178	1.25	4.41	89.5	19.517	460	
		900	213/5TC	00309ST3QIE215TC-W22	\$2,963	I1	181	1.25	4.55	85.5	19.517	460	
5	3.7	3600	182/4TC	00536ST3QIE184TC-W22	\$1,494	I1	120	1.25	5.90	88.5	15.860	460	
		1800	182/4TC	00518ST3QIE184TC-W22	\$1,436	I1	119	1.25	6.45	89.5	15.860	460	
		1200	213/5TC	00512ST3QIE215TC-W22	\$1,981	I1	194	1.25	6.83	89.5	19.517	460	
		900	254/6TC	00509ST3QIE254TC-W22	\$4,363	I1	309	1.25	7.58	87.5	24.945	460	
7.5	5.5	3600	213/5TC	00736ST3QIE213TC-W22	\$1,831	I1	177	1.25	8.76	89.5	19.517	460	
		1800	213/5TC	00718ST3QIE213TC-W22	\$1,726	I1	189	1.25	9.18	91.7	19.517	460	
		1200	254/6TC	00712ST3QIE254TC-W22	\$2,664	I1	325	1.25	9.48	91.0	24.945	460	
		900	254/6TC	00709ST3QIE256TC-W22	\$5,160	I1	321	1.25	11.1	87.5	24.945	460	
10	7.5	3600	213/5TC	01036ST3QIE215TC-W22	\$2,000	I1	195	1.25	11.6	90.2	19.517	460	
		1800	213/5TC	01018ST3QIE215TC-W22	\$1,840	I1	203	1.25	12.4	91.7	19.517	460	
		1200	254/6TC	01012ST3QIE256TC-W22	\$2,954	I1	340	1.25	12.9	91.0	24.945	460	
		900	284/6TC	01009ST3QIE284TC-W22	\$6,136	I1	400	1.25	13.4	90.2	27.929	460	
15	11	3600	254/6TC	01536ST3QIE254TC-W22	\$2,548	I1	306	1.25	17.2	91.0	24.945	460	
		1800	254/6TC	01518ST3QIE254TC-W22	\$2,377	I1	355	1.25	18.0	92.4	24.945	460	
		1200	284/6TC	01512ST3QIE284TC-W22	\$4,403	I1	434	1.25	17.9	91.7	27.929	460	
		900	284/6TC	01509ST3QIE286TC-W22	\$6,942	I1	444	1.25	19.4	90.2	27.929	460	
20	15	3600	254/6TC	02036ST3QIE256TC-W22	\$3,077	I1	332	1.25	23.2	91.0	24.945	460	
		1800	254/6TC	02018ST3QIE256TC-W22	\$2,717	I1	404	1.25	24.1	93.0	24.945	460	
		1200	284/6TC	02012ST3QIE286TC-W22	\$4,973	I1	465	1.25	24.2	91.7	27.929	460	
		900	324/6TC	02009ST3QIE324TC-W22	\$8,494	I1	482	1.25	28.3	91.0	31.116	460	
25	18.5	3600	284/6TSC	02536ST3QIE284TSC-W2	\$3,568	I1	389	1.25	28.5	91.7	26.557	460	
		1800	284/6TC	02518ST3QIE284TC-W22	\$3,126	I1	456	1.25	29.5	93.6	27.929	460	
		1200	324/6TC	02512ST3QIE324TC-W22	\$5,436	I1	603	1.25	30.4	93.0	31.116	460	
		900	324/6TC	02509ST3QIE326TC-W22	\$9,063	I1	539	1.25	35.9	91.0	31.116	460	
30	22	3600	284/6TSC	03036ST3QIE286TSC-W2	\$3,999	I1	441	1.25	33.8	91.7	26.557	460	
		1800	284/6TC	03018ST3QIE286TC-W22	\$3,709	I1	493	1.25	35.1	93.6	27.929	460	
		1200	324/6TC	03012ST3QIE326TC-W22	\$5,584	I1	646	1.25	35.8	93.0	31.116	460	
		900	364/5TC	03009ST3QIE364TC-W22	\$13,524	I1	917	1.25	37.0	92.4	34.251	460	

continued on next page

Please refer to back cover for description of "NOTES"

For detailed specifications, data sheets, drawings and performance curves visit <http://www.weg.net>

TEFC - C-Face - Foot Mount - *continued*

HP	kW	RPM	Frame	Catalog Number	List Price	Mult. Symbol	Approx. Shipping Weight (lbs)	Service Factor	FL Amps @ High	FL. Eff (%)	"C" Dimension (in)	Voltage (V)	Notes
40	30	3600	324/6TSC	04036ST3QIE324TSC-W2	\$5,531	I1	602	1.25	45.8	92.4	29.616	460	
		1800	324/6TC	04018ST3QIE324TC-W22	\$4,917	I1	633	1.25	47.1	94.1	31.116	460	
		1200	364/5TC	04012ST3QIE364TC-W22	\$9,011	I1	1032	1.25	46.5	94.1	34.251	460	
		900	364/5TC	04009ST3QIE365TC-W22	\$15,284	I1	990	1.25	50.3	92.4	34.251	460	
50	37	3600	324/6TSC	05036ST3QIE326TSC-W2	\$6,195	I1	627	1.25	56.1	93.0	29.616	460	
		1800	324/6TC	05018ST3QIE326TC-W22	\$5,458	I1	651	1.25	59.2	94.5	31.116	460	
		1200	364/5TC	05012ST3QIE365TC-W22	\$9,744	I1	983	1.25	57.4	94.1	34.251	460	
		900	404/5TC	05009ST3QIE404TC-W22	\$19,856	I1	1132	1.25	60.0	93.0	39.730	460	
60	45	1200	404/5TC	06012ST3QIE404TC-W22	\$12,315	I1	1156	1.25	69.5	94.5	39.730	460	



TEFC - C-Face - Footless

HP	kW	RPM	Frame	Catalog Number	List Price	Mult. Symbol	Approx. Shipping Weight (lbs)	Service Factor	FL Amps @ High	FL. Eff (%)	"C" Dimension (in)	Voltage (V)	Notes
1	0.75	1800	143/5TC	00118ST3QIER143TC-W2	\$1,000	I1	54	1.25	1.47	85.5	14.066	460	15
1.5	1.1	1800	143/5TC	00158ST3QIER145TC-W2	\$1,061	I1	62	1.25	2.02	86.5	14.066	460	15
2	1.5	1800	143/5TC	00218ST3QIER145TC-W2	\$1,104	I1	63	1.25	2.76	86.5	14.066	460	15
3	2.2	1800	182/4TC	00318ST3QIER182TC-W2	\$1,326	I1	110	1.25	3.91	89.5	17.080	460	15;39
5	3.7	1800	182/4TC	00518ST3QIER184TC-W2	\$1,478	I1	119	1.25	6.45	89.5	17.080	460	15
7.5	5.5	1800	213/5TC	00718ST3QIER213TC-W2	\$1,776	I1	177	1.25	9.18	91.7	21.269	460	15
10	7.5	1800	213/5TC	01018ST3QIER215TC-W2	\$1,893	I1	192	1.25	12.4	91.7	21.269	460	15

Severe Duty - Three-Phase Motors

Please refer to back cover for description of "NOTES"

For detailed specifications, data sheets, drawings and performance curves visit <http://www.weg.net>

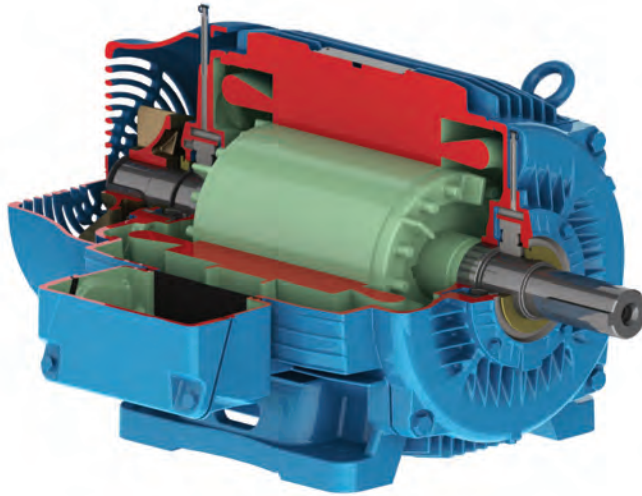
Data subject to change without notice.

Can't find what you are looking for? Call 1-800-ASK-4WEG (275-4934)

W22 IEEE841 Severe Duty Motors

1-500HP

The WEG W22 product is the latest generation of Severe Duty Cast Iron frame industrial motors designed to meet the demands of Reliability, Efficiency, and Total Cost of Ownership today's customers demand, and have come to expect from WEG.



WEG		W22		NEMA		IEEE		CC029A		Class I, Div. 2, Gr. A, B, C & D - T3 Class I, Zone 2, IC - T3 Class I, Div. 2, Gr. F, exp. G - T3C	
841-20799		11431430		11431430		11431430		11431430		WEG.TC187010H	
PH	3	HP(kW)	150(110)	FRAME	444/5T					460 V T1 T2 T3 L1 L2 L3	
V	460			Hz	60						
A	170			SF	1.15						
RPM	1780	SFA		INS. CL.	F	ΔT	180 K				
NEMA NOM. EFF.	95.8 %	GUARANT. EFF.	95.0 %	P.F.	0.85						
CODE	G	DES	B	AMB.	40°C	DUTY	CONT.				
ENCL.	TEFC			IP	55	WEIGHT	1723 Lbs				
Alt.	1000	m.s.l.									

Standard Features

- Heavy Duty FC200 Cast Iron Frame Brackets, Conduit Box and Fan Cover
- Motor rated IP55
- InproSeal VBXX seals rated IP56 on both bearings
- C4 coated Silicon core steel withstands >500C burnout temps for superior reparability
- Dual drilled mounting Feet for increased flexibility
- Foot flatness of <.005" and paint free feet aid mounting and alignment
- Regreasable ball bearings with WEG Positive Pressure Lubrication System (PPLS) including Cast Iron bearing caps, Seamless Stainless Steel grease inlet extensions, and Auto grease relief
- Forged shouldered eyebolts for safe handling (180T and above)
- Stainless Steel automatic condensate Drains in both endshields
- 4-Bolts Conduit Box and Cover with Neoprene gaskets for sure seal
- VFD Rated Class F insulation system per NEMA MG1 Part 31 utilizing Class H Varnish and Magnet wire
- Stainless Steel Nameplate includes Weight, Division 2, and lubrication information
- IEEE 841 Test report with Vibration data included in the conduit box

Features That Make a Difference:

- Low Vibration design
.04 in/sec (1/2 IEEE 841 Spec)
- C4 Coated Silicon Core Steel
- Highest Service Factor in the industry 1.25SF on <125HP
- Bearings meet IP56 with InproSeal VBXX on both ends
- Epoxy Paint system exceeds 250Hrs Salt spray per ASTM B117

Custom features and options available as factory modifications as well as many stock modifications for quick delivery

Please contact your authorized WEG distributor or go to weg.net/us for further information or additional specifications. **1-800-ASK-4WEG**



Severe Duty – Three-Phase Motors

CRUSHER DUTY

TEFC - NEMA Premium®

Designed for the most demanding crusher applications. These motors are designed for horizontal and vertical mounting and have exceptional high starting and breakdown torques.

WEG's W22 cast iron platform has a superior cooling system and solid feet for cool operation and low vibration and noise, extending the life of the motor.

Standard Features:

- 50/60 Hz rated (380V on Nameplate - 400/415 available)
- Rated 50Hz at same Horsepower up to 250HP 1.0 Service Factor for 2, 4 & 6 Pole motors
- Class F insulation (Impregnation Resin and Magnet wire are class H)
- NEMA design A. All ratings exceed NEMA design C torque
- F1 Mounted (F2 convertible). Frames 447T and up can easily be F2 converted by simply rotating the terminal box adapter
- Stainless Steel Nameplate - Laser etched with high contrast background
- Gasketed conduit box
- Regreasable bearings
- Largest diameter shafts ("Z" frames) for the highest load ratings in the industry
- Labyrinth seal on both ends - 580Z and 586/7T
- Class I, Div. 2, Groups A, B, C & D – T3, Class II, Div 2, Groups F & G – T3C



Severe Duty -
Three-Phase
Motors

Features that make a difference:

- Oversized Roller bearings
- Versatile starting methods - capable of wye/delta, across the line and part winding (12 leads) start.
- NPT Threaded terminal box

***Inverter Rated:**
1000:1 for variable torque
20:1 for constant torque

** Insulated housing standard on L447/9T and above*

ADDITIONAL TECHNICAL DATA

ELECTRICAL DATA: CONTACT WEG OR VISIT WWW.WEG.NET

MECHANICAL DATA: B-68



Severe Duty - Three-Phase Motors



CRUSHER DUTY

TEFC - Foot Mount

HP	kW	RPM	Frame	Catalog Number	List Price	Mult. Symbol	Approx. Shipping Weight (lbs)	Service Factor	FL Amps @ High	FL Eff (%)	"C" Dimension (in)	Voltage (V)	Notes
50	37	900	404/5T	05009ET3EKD404T-W22	\$17,648	K1	1483	1.25	60.0	93.0	39.730	230/460	14
60	45	1200	404/5T	06012ET3ERB404T-W22	\$10,497	N1	1262	1.25	69.5	94.5	39.730	230/460	14
		900	404/5T	06009ET3EKD405T-W22	\$20,443	K1	1273	1.15	73.0	93.0	39.730	230/460	14
75	55	1200	404/5T	07512ET3ERB405T-W22	\$12,058	N1	1262	1.25	84.9	94.5	39.730	230/460	14
		1200	404/5T	07512ET3GRB405T-W22	\$12,058	N1	1309	1.25	84.9	94.5	39.730	460	14
		900	444/5T	07509ET3GKD444T-W22	\$23,334	K1	2143	1.25	93.0	93.6	45.157	460	14
		900	444/5T	07509ET3QRB444TF2-W2	\$23,334	N1	1707	1.25	93.0	93.6	45.157	460	14
100	75	1800	404/5T	10018ET3ERB405T-W22	\$11,689	N1	1239	1.25	111	95.4	39.730	230/460	14
		1800	404/5T	10018ET3GRB405T-W22	\$11,689	N1	1199	1.25	111	95.4	39.730	460	14
		1800	404/5T	10018ET3HRB405T-W22	\$11,689	N1	1294	1.25	88.8	95.4	39.730	575	14
		1200	444/5T	10012ET3ERB444T-W22	\$15,631	N1	1859	1.25	121	95.0	45.157	230/460	14
		1200	444/5T	10012ET3GRB444T-W22	\$15,631	N1	1854	1.25	121	95.0	45.157	460	14
		900	444/5T	10009ET3GKD445T-W22	\$26,988	K1	1952	1.25	127	94.1	45.157	460	14
125	90	1800	444/5T	12518ET3ERB444T-W22	\$14,748	N1	1730	1.15	139	95.4	45.157	230/460	14
		1800	444/5T	12518ET3GRB444T-W22	\$14,748	N1	1736	1.15	139	95.4	45.157	460	14
		1200	444/5T	12512ET3ERB445T-W22	\$17,947	N1	1993	1.15	143	95.0	45.157	230/460	14
		1200	444/5T	12512ET3GRB445T-W22	\$17,947	N1	1996	1.15	143	95.0	45.157	460	14
		900	445/7T	12509ET3GKD447T-W22	\$28,175	K1	2287	1.15	151	94.5	48.701	460	14
150	110	1800	444/5T	15018ET3GRB445T-W22	\$17,420	N1	1853	1.15	170	95.8	45.157	460	14
		1800	444/5T	15018ET3HRB445T-W22	\$17,420	N1	2034	1.15	136	95.8	45.157	575	14
		1200	445/7T	15012ET3GRB447T-W22	\$20,639	N1	2371	1.15	176	95.8	48.701	460	14
		900	445/7T	15009ET3GKD447T-W22	\$30,677	K1	2457	1.15	185	94.5	48.701	460	14;19
200	150	1800	445/7T	20018ET3GRB447T-W22	\$21,098	N1	2209	1.15	230	96.2	48.701	460	14
		1800	445/7T	20018ET3HRB447T-W22	\$21,098	N1	1850	1.15	184	96.2	48.701	575	14
		1200	445/7T	20012ET3GRB447T-W22	\$25,133	N1	2588	1.15	237	95.8	48.701	460	14
		1200	447/9T	20012ET3GRB449T-W22	\$25,255	N1	2940	1.15	237	95.8	56.338	460	14
		1200	504/5Z	20012ET3GKD505Z-W22	\$25,133	K1	2841	1.15	244	95.4	55.090	460	14;18;43
		1200	504/5Z	20012ET3HKD505Z-W22	\$25,133	K1	2861	1.15	197	95.8	55.090	575	14;18;43
		900	447/9T	20009ET3GKD449T-W22	\$49,899	K1	3268	1.15	254	95.0	56.338	460	14
250	185	1800	445/7T	25018ET3GKD447T-W22	\$26,716	K1	2993	1.15	281	96.2	48.701	460	14
		1800	445/7T	25018ET3GRB447T-W22	\$26,716	N1	2554	1.15	281	96.2	48.701	460	14
		1800	445/7T	25018ET3HRB447T-W22	\$26,716	N1	2414	1.15	225	96.2	48.701	575	14
		1800	447/9T	25018ET3GRB449T-W22	\$26,803	N1	2815	1.15	281	96.2	56.338	460	14
		1800	504/5Z	25018ET3GKD505Z-W22	\$26,716	K1	2818	1.15	277	96.2	55.090	460	14;18;43
		1200	447/9T	25012ET3GKD449T-W22	\$35,555	K1	3224	1.15	292	95.8	56.338	460	14
		1200	447/9T	25012ET3GRB449T-W22	\$35,555	N1	3224	1.15	292	95.8	56.338	460	14
		1200	586/7Z	25012ET3GKD580Z-W22	\$39,631	K1	3817	1.15	299	95.8	61.902	460	14;18;43
		1200	586/7Z	25012ET3HKD580Z-W22	\$39,631	K1	4636	1.15	239	95.8	61.902	575	14;18;43
		900	586/7T	25009ET3GKD586/7-W22	\$56,168	K1	5128	1.15	299	95.8	61.902	460	14;43

continued on next page

Please refer to back cover for description of "NOTES"

For detailed specifications, data sheets, drawings and performance curves visit <http://www.weg.net>



TEFC - Foot Mount - *continued*

HP	kW	RPM	Frame	Catalog Number	List Price	Mult. Symbol	Approx. Shipping Weight (lbs)	Service Factor	FL Amps @ High	FL Eff (%)	"C" Dimension (in)	Voltage (V)	Notes
300	220	1800	447/9T	30018ET3GKD449T-W22	\$31,384	K1	3030	1.15	330	96.2	56.338	460	14
		1800	447/9T	30018ET3GRB449T-W22	\$31,384	N1	2992	1.15	330	96.2	56.338	460	14
		1800	586/7Z	30018ET3GKD580Z-W22	\$39,112	K1	3552	1.15	351	95.8	61.902	460	14;18;43
		1800	586/7Z	30018ET3HKD580Z-W22	\$39,112	K1	4326	1.15	281	95.8	61.902	575	14;18;43
		1200	447/9T	30012ET3GKD449T-W22	\$38,437	K1	3313	1.15	356	95.8	56.338	460	14
		1200	586/7T	30012ET3GKD586/7-W22	\$44,301	K1	4081	1.15	356	95.8	61.902	460	14;43
		1200	586/7Z	30012ET3GKD580Z-W22	\$44,301	K1	4109	1.15	356	95.8	61.902	460	14;18;43
		1200	586/7Z	30012ET3HKD580Z-W22	\$44,301	K1	4936	1.15	307	95.8	61.902	575	14;18;43
		900	586/7T	30009ET3GKD586/7-W22	\$58,655	K1	5696	1.15	356	95.8	61.902	460	14;43
350	260	1800	447/9T	35018ET3GKD449T-W22	\$36,517	K1	3258	1.15	394	96.2	56.338	460	14
		1800	447/9T	35018ET3GRB449T-W22	\$36,517	N1	2941	1.15	394	96.2	56.338	460	14
		1800	586/7Z	35018ET3GKD580Z-W22	\$41,230	K1	3577	1.15	415	95.8	61.902	460	14;18;43
		1800	586/7Z	35018ET3HKD580Z-W22	\$41,230	K1	4572	1.15	327	96.2	61.902	575	14;18;43
		1200	L447/9T	35012ET3GRB449T-W22	\$47,633	N1	3800	1.15	415	95.8	57.181	460	14;19;37;43
		1200	586/7Z	35012ET3GKD580Z-W22	\$50,250	K1	4401	1.15	421	95.8	61.902	460	14;18;43
		1200	586/7T	35012ET3GKD586/7-W22	\$50,250	K1	4373	1.15	421	95.8	61.902	460	14;43
		900	586/7T	35009ET3GKD586/7-W22	\$64,873	K1	4797	1.00	426	95.8	61.902	460	1;14;43
400	300	1800	L447/9T	40018ET3GRB449T-W22	\$43,805	N1	3404	1.15	445	96.2	57.181	460	14;43
		1800	586/7Z	40018ET3GKD580Z-W22	\$45,805	K1	4052	1.15	466	96.2	61.902	460	14;18;43
		1800	586/7Z	40018ET3HKD580Z-W22	\$45,805	K1	3692	1.15	364	96.2	61.902	575	14;18;43
		1200	L447/9T	40012ET3GRB449T-W22	\$52,307	N1	3827	1.15	477	95.8	57.181	460	14;19;37;43
		1200	586/7T	40012ET3GKD586/7-W22	\$56,201	K1	4699	1.15	483	96.2	61.902	460	14;43
		1200	586/7Z	40012ET3GKD580Z-W22	\$58,210	K1	4572	1.15	483	96.2	61.902	460	14;18;43
		1200	586/7Z	40012ET3HKD580Z-W22	\$58,210	K1	5513	1.15	386	96.2	61.902	575	14;18;43
450	330	1800	L447/9T	45018ET3GRB449T-W22	\$48,010	N1	3657	1.15	501	96.2	57.181	460	14;43
		1800	586/7Z	45018ET3GKD580Z-W22	\$48,053	K1	4277	1.15	527	95.8	61.902	460	14;18;43
		1800	586/7T	45018ET3GKD586/7-W22	\$48,053	K1	5416	1.15	501	96.2	61.902	460	14;43
		1200	586/7Z	45012ET3GKD580Z-W22	\$63,251	K1	5724	1.00	532	96.2	61.902	460	1;14;18;43
		1200	586/7	45012ET3GRB586/7-W22	\$62,251	N1	5248	1.00	532	96.2	61.902	460	1;14;43
500	370	1800	L447/9T	50018ET3GRB449T-W22	\$50,594	N1	5424	1.00	561	96.2	57.181	460	1;14;19;43
		1800	586/7Z	50018ET3GKD580Z-W22	\$51,611	K1	4547	1.00	575	96.2	61.902	460	1;14;18;43
		1200	586/7Z	50012ET3GKD580Z-W22	\$65,962	K1	5024	1.00	603	96.2	61.902	460	1;14;18;43

Severe Duty - Three-Phase Motors

Please refer to back cover for description of "NOTES"

For detailed specifications, data sheets, drawings and performance curves visit <http://www.weg.net>

Data subject to change without notice.

Can't find what you are looking for? Call 1-800-ASK-4WEG (275-4934)

Severe Duty – Three-Phase Motors

VECTOR DUTY

TENV - Foot Mount - Double C-Face

Designed specifically for inverter operation for applications requiring 1000:1 constant torque turndown ratio.



Standard Features:

- Class F insulation (Impregnation Resin and Magnet wire are class H)
- NEMA design B.
- F1 Mounted (F2 convertible).
- Stainless Steel Nameplate - Laser etched with High contrast background
- Gasketed conduit box

Features that make a difference:

- Constant torque operation from 0 to base speed (1000:1) on PWM Vector Drive
- Constant Horsepower operation up to 150% base speed
- Ready for encoder mount
- With thermostats (1 per phase)
- Special nameplate data for easy drive set-up
- Ready for C-face brake, limited to 10 lb-ft braking torque

ADDITIONAL TECHNICAL DATA

CONTACT WEG OR VISIT WWW.WEG.NET

Inverter Rated:

1000 : 1 for constant torque

TENV - Foot Mount - Double C-Face

HP	kW	RPM	Frame	Catalog Number	List Price	Mult. Symbol	Approx. Shipping Weight (lbs)	Service Factor	FL Amps @ High	FL. Eff (%)	"C" Dimension (in)	Voltage (V)	Notes
1	0.75	1800	143/5TC	00118NT3FVD143TC-W22	\$697	D1	51	1.00	1.41	85.5	14.678	230/460	17;19
1.5	1.1	1800	143/5TC	00158NT3FVD145TC-W22	\$705	D1	60	1.00	2.00	86.5	14.678	230/460	17;19
2	1.5	1800	143/5TC	00218NT3FVD145TC-W22	\$928	D1	62	1.00	2.65	86.5	14.678	230/460	17;19
3	2.2	1800	182/4TC	00318NT3FVD182TC-W22	\$1,150	D1	107	1.00	3.91	89.5	16.569	230/460	17;19
5	3.7	1800	182/4TC	00518NT3FVD184TC-W22	\$1,373	D1	116	1.00	7.11	89.5	16.569	230/460	17;19;37
7.5	5.5	1800	213/5TC	00718NT3FVD213TC-W22	\$1,803	D1	173	1.00	9.07	91.7	20.041	230/460	17;19
10	7.5	1800	213/5TC	01018NT3FVD215TC-W22	\$2,157	D1	207	1.00	13.3	91.7	20.041	230/460	17;19;37
15	11	1800	254/6TC	01518NT3FVD254TC-W22	\$2,567	D1	365	1.00	19.4	92.4	25.569	230/460	17;19
20	15	1800	254/6TC	02018NT3FVD256TC-W22	\$3,747	D1	398	1.00	26.6	93.0	25.569	230/460	17;19;37

Note: Flanged motors on Cast Iron frame sizes 143/5 to 254/6 have non-NEMA BA dimension. Refer to mechanical section of this catalog for details.



Severe Duty – Three-Phase Motors

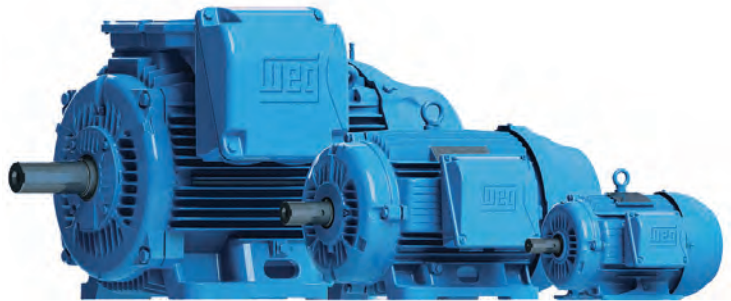
IEC TRU-METRIC™ - Three Phase

TEFC

This line is designed and built according to European IEC34 and IEC79 standards.

Standard Features:

- 60 Hz (1.25 Service Factor) and 50 Hz (1.0 Service Factor)
- Class F insulation (Impregnation Resin and Magnet wire are class H)
- F2 mounted as standard (F1 convertible)
- Stainless Steel Nameplate - Laser etched with high contrast background
- Regreasable ball bearings (Frames 160 and up)
- Gasketed conduit box
- Class I, Div. 2, Groups A, B, C & D – T3, Class II, Div 2, Groups F & G – T3C (Cast Iron Frames only)
- Suitable for WYE/Delta Start



Features that make a difference:

- 1.25 Service Factor for 60 Hz operation (IE3)
- Optimized ventilation system for cooler operation and low noise levels
- Solid base for lower vibration levels (Cast Iron Frames)
- Frames 225 and up can easily be F1 (B3L) converted by simply rotating the terminal box adapter or F3 by removing it
- Terminal blocks

*Inverter Rated (IE3):

1000:1 for variable torque

12:1 for constant torque

** Insulated NDE housing standard on 315L and above.*

ADDITIONAL TECHNICAL DATA

ELECTRICAL DATA: B-44

MECHANICAL DATA: B-106



Severe Duty - Three-Phase Motors



IEC TRU-METRIC™



TEFC - Foot Mount - IE3

Severe Duty -
Three-Phase
Motors

HP	kW	RPM	Frame	Catalog Number	List Price	Mult. Symbol	Approx. Shipping Weight (lbs)	Service Factor	FL Amps @ High	FL Eff (%)	"C" Dimension (in)	Voltage (V)	Notes
5.5	4	900/750	160M	00409ET3Y160M-W22	\$1,947	T1	299	1.25	8.17	86.5	23.543	460//380-415/660-690	7
7.5	5.5	1200/1000	160M	00512ET3Y160M-W22	\$1,760	T1	291	1.25	9.48	91.0	23.543	460//380-415/660-690	7
		900/750	160M	00509ET3Y160M-W22	\$2,244	T1	306	1.25	11.1	87.5	23.543	460//380-415/660-690	7
10	7.5	1200/1000	160M	00712ET3Y160M-W22	\$2,306	T1	306	1.25	13.1	91.0	23.543	460//380-415/660-690	7
		900/750	160L	00709ET3Y160L-W22	\$2,774	T1	352	1.25	15.2	88.5	25.276	460//380-415/660-690	7
15	11	3600//3000	160M	01136ET3Y160M-W22	\$2,102	T1	304	1.25	17.9	91.7	23.543	460//380-415/660-690	7
		1800//1500	160M	01118ET3Y160M-W22	\$1,726	T1	321	1.25	18.2	92.4	23.543	460//380-415/660-690	7
		1200//1000	160L	01112ET3Y160L-W22	\$3,160	T1	354	1.25	18.8	91.7	25.276	460//380-415/660-690	7
		900//750	180L	01109ET3Y180L-W22	\$4,031	T1	419	1.25	19.5	89.5	27.638	460//380-415/660-690	7
20	15	3600//3000	160M	01536ET3Y160M-W22	\$2,413	T1	320	1.25	24.4	91.7	23.543	460//380-415/660-690	7
		1800//1500	160L	01518ET3Y160L-W22	\$2,118	T1	375	1.25	25.0	93.0	25.276	460//380-415/660-690	7
		1200//1000	180L	01512ET3Y180L-W22	\$3,884	T1	447	1.25	24.7	91.7	27.638	460//380-415/660-690	7
		900//750	200L	01509ET3Y200L-W22	\$5,158	T1	517	1.25	28.0	91.0	30.197	460//380-415/660-690	7
25	18.5	3600//3000	160L	01836ET3Y160L-W22	\$2,925	T1	353	1.25	29.9	92.4	25.276	460//380-415/660-690	7
		1800//1500	180M	01818ET3Y180M-W22	\$2,689	T1	436	1.25	30.6	93.6	26.142	460//380-415/660-690	7
		1200//1000	200L	01812ET3Y200L-W22	\$4,886	T1	552	1.25	30.8	93.0	30.197	460//380-415/660-690	7
		900//750	225S/M	01809ET3Y225S/M-W22	\$5,902	T1	830	1.25	31.6	93.0	34.882	460//380-415/660-690	7
30	22	3600//3000	180M	02236ET3Y180M-W22	\$3,492	T1	424	1.25	34.7	92.4	26.142	460//380-415/660-690	7
		1800//1500	180L	02218ET3Y180L-W22	\$3,225	T1	457	1.25	36.0	93.6	27.638	460//380-415/660-690	7
		1200//1000	200L	02212ET3Y200L-W22	\$4,924	T1	601	1.25	37.1	93.0	30.197	460//380-415/660-690	7
		900//750	225S/M	02209ET3Y225S/M-W22	\$7,506	T1	885	1.25	37.6	93.0	34.882	460//380-415/660-690	7
40	30	3600//3000	200L	03036ET3Y200L-W22	\$4,877	T1	575	1.25	47.1	93.0	30.197	460//380-415/660-690	7
		1800//1500	200L	03018ET3Y200L-W22	\$4,312	T1	580	1.25	49.4	94.1	30.197	460//380-415/660-690	7
		1200//1000	225S/M	03012ET3Y225S/M-W22	\$7,689	T1	1055	1.25	47.6	94.1	34.882	460//380-415/660-690	7
		900//750	250S/M	03009ET3Y250S/M-W22	\$8,858	T1	1078	1.25	50.9	93.6	37.992	460//380-415/660-690	7
50	37	3600//3000	200L	03736ET3Y200L-W22	\$5,487	T1	587	1.25	61.3	93.6	30.197	460//380-415/660-690	7
		1800//1500	225S/M	03718ET3Y225S/M-W22	\$6,984	T1	1041	1.25	58.5	94.5	34.882	460//380-415/660-690	7
		1200//1000	250S/M	03712ET3Y250S/M-W22	\$9,947	T1	1266	1.25	58.8	94.1	37.992	460//380-415/660-690	7
		900//750	280S/M	03709ET3Y280S/M-W22	\$11,751	T1	1481	1.25	64.1	94.1	42.165	460//380-415/660-690	7
60	45	3600//3000	225S/M	04536ET3Y225S/M-W22	\$7,961	T1	1053	1.25	66.7	94.1	33.701	460//380-415/660-690	7
		1800//1500	225S/M	04518ET3Y225S/M-W22	\$7,391	T1	1022	1.25	69.9	95.0	34.882	460//380-415/660-690	7
		1200//1000	280S/M	04512ET3Y280S/M-W22	\$11,023	T1	1681	1.25	74.7	94.5	42.165	460//380-415/660-690	7
		900//750	280S/M	04509ET3Y280S/M-W22	\$12,815	T1	1631	1.25	77.0	94.1	42.165	460//380-415/660-690	7
75	55	3600//3000	250S/M	05536ET3Y250S/M-W22	\$9,847	T1	1259	1.25	80.3	94.5	37.992	460//380-415/660-690	7
		1800//1500	250S/M	05518ET3Y250S/M-W22	\$8,961	T1	1206	1.25	85.1	95.4	37.992	460//380-415/660-690	7
		1200//1000	280S/M	05512ET3Y280S/M-W22	\$13,622	T1	1794	1.25	90.2	94.5	42.165	460//380-415/660-690	7
		900//750	315S/M	05509ET3Y315S/M-W22	\$15,379	T1	2436	1.25	93.7	94.5	50.157	460//380-415/660-690	7
100	75	3600//3000	280S/M	07536ET3Y280S/M-W22	\$12,472	T1	1776	1.25	111	94.5	42.165	460//380-415/660-690	7
		1800//1500	280S/M	07518ET3Y280S/M-W22	\$12,353	T1	1738	1.25	116	95.4	42.165	460//380-415/660-690	7
		1200//1000	315S/M	07512ET3Y315S/M-W22	\$16,479	T1	2399	1.25	122	95.0	50.157	460//380-415/660-690	7
		900//750	315S/M	07509ET3Y315S/M-W22	\$18,647	T1	2701	1.25	127	95.0	50.157	460//380-415/660-690	7

continued on next page

Please refer to back cover for description of "NOTES"

For detailed specifications, data sheets, drawings and performance curves visit <http://www.weg.net>



TEFC - Foot Mount - IE3 - continued

HP	kW	RPM	Frame	Catalog Number	List Price	Mult. Symbol	Approx. Shipping Weight (lbs)	Service Factor	FL Amps @ High	FL Eff (%)	"C" Dimension (in)	Voltage (V)	Notes
125	90	3600//3000	280S/M	09036ET3Y280S/M-W22	\$16,720	T1	1862	1.25	132	95.0	42.165	460//380-415/660-690	7
		1800//1500	280S/M	09018ET3Y280S/M-W22	\$15,220	T1	1835	1.25	139	95.4	42.165	460//380-415/660-690	7
		1200//1000	315S/M	09012ET3Y315S/M-W22	\$19,448	T1	2601	1.25	146	95.4	50.157	460//380-415/660-690	7
		900//750	315S/M	09009ET3Y315S/M-W22	\$21,288	T1	2884	1.25	152	95.0	50.157	460//380-415/660-690	7
150	110	3600//3000	315S/M	11036ET3Y315S/M-W22	\$21,018	T1	2382	1.25	163	95.0	48.976	460//380-415/660-690	7
		1800//1500	280S/M	11018ET3Y280S/M-W22	\$17,078	T1	2210	1.25	170	95.8	42.165	460//380-415/660-690	7
		1200//1000	315S/M	11012ET3Y315S/M-W22	\$22,507	T1	2730	1.25	178	95.8	50.157	460//380-415/660-690	7
		900//750	315L	11009ET3Y315L-W22	\$27,910	T1	3008	1.25	186	95.4	54.685	460//380-415/660-690	7;43
175	132	3600//3000	315S/M	13236ET3Y315S/M-W22	\$23,180	T1	2662	1.25	193	95.4	48.976	460//380-415/660-690	7
		1800//1500	315S/M	13218ET3Y315S/M-W22	\$19,732	T1	2540	1.25	203	96.2	50.157	460//380-415/660-690	7
		1200//1000	315S/M	13212ET3Y315S/M-W22	\$25,642	T1	3031	1.25	214	95.8	50.157	460//380-415/660-690	7
		900//750	315L	13209ET3Y315L-W22	\$33,687	T1	3796	1.25	223	95.4	54.685	460//380-415/660-690	7;43
200	150	3600//3000	315S/M	15036ET3Y315S/M-W22	\$26,249	T1	2682	1.25	219	95.4	48.976	460//380-415/660-690	7
		1800//1500	315S/M	15018ET3Y315S/M-W22	\$21,772	T1	2784	1.25	228	96.2	50.157	460//380-415/660-690	7
		1200//1000	315L	15012ET3Y315L-W22	\$28,298	T1	3557	1.15	240	95.8	54.685	460//380-415/660-690	7;43
250	185	3600//3000	315S/M	18536ET3Y315S/M-W22	\$26,529	T1	2900	1.25	269	95.8	48.976	460//380-415/660-690	7
		1800//1500	315S/M	18518ET3Y315S/M-W22	\$26,247	T1	2948	1.25	284	96.2	50.157	460//380-415/660-690	7
		1200//1000	355M/L	18512ET3Y355M/L-W22	\$43,876	T1	3666	1.15	311	95.8	58.346	460//380-415/660-690	7
300	220	3600//3000	315L	22036ET3Y315L-W22	\$44,212	T1	3468	1.25	315	96.2	53.268	460//380-415/660-690	7;43
		1800//1500	315L	22018ET3Y315L-W22	\$36,234	T1	3113	1.25	338	96.2	54.685	460//380-415/660-690	7;43
		1200//1000	355M/L	22012ET3Y355M/L-W22	\$46,322	T1	4507	1.15	370	95.8	58.346	460//380-415/660-690	7;43
350	260	3600//3000	355M/L	26036ET3Y355M/L-W22	\$50,637	T1	4975	1.15	373	96.2	55.591	460//380-415/660-690	7;43
		1800//1500	355M/L	26018ET3Y355M/L-W22	\$43,761	T1	4218	1.15	399	96.2	58.346	460//380-415/660-690	7;43
		1200//1000	355M/L	26012ET3Y355M/L-W22	\$53,001	T1	5075	1.15	436	95.9	58.346	460//380-415/660-690	7;43
400	300	3600//3000	355M/L	30036ET3Y355M/L-W22	\$66,321	T1	4034	1.15	315	96.2	55.591	460//380-415/660-690	7;43
		1800//1500	355M/L	30018ET3Y355M/L-W22	\$60,292	T1	4337	1.00	466	96.2	58.346	460//380-415/660-690	7;43
450	330	1800//1500	355M/L	33018ET3Y355M/L-W22	\$64,557	T1	4906	1.15	505	96.5	58.346	460//380-415/660-690	7;43

Severe Duty - Three-Phase Motors

Please refer to back cover for description of "NOTES"

For detailed specifications, data sheets, drawings and performance curves visit [http:// www.weg.net](http://www.weg.net)

Data subject to change without notice.

Can't find what you are looking for? Call 1-800-ASK-4WEG (275-4934)

Explosion Proof Motors

SINGLE-PHASE

Foot Mount	A-110
C-Face – Foot Mount	A-110

THREE-PHASE

Foot Mount	A-112
C-Face – Foot Mount	A-116
C-Face – Footless	A-117
JP – Foot Mount	A-117
ATEX Foot Mount	A-120

Fractional Explosion Proof Motors



Features:

- Class F insulation
- 1.0 service factor
- Foot mount motors with and without C-flange
- Class I - Group C & D and Class II - Groups E, F & G – T3B
- Thermally Protected
- Long leads for remote wiring
- Aluminum endshields

Explosion Proof
Motors

Features that make a difference:

- 50°C ambient temperature rating
- Three-Phase motors also rated for 50Hz
- Unassembled aluminum conduit box included

Please contact your authorized WEG distributor or go to weg.net/us for further information or additional specifications. **1-800-ASK-4WEG**



Explosion Proof Motors



SINGLE -PHASE

Foot Mount

HP	kW	RPM	Frame	Catalog Number	List Price	Mult. Symbol	Approx. Shipping Weight (lbs)	Service Factor	FL Amps @ High	FL. Eff (%)	"C" Dimension (in)	Voltage (V)	Notes
0.33	0.25	3600	56	.3336XS1B56	\$612	XF	23	1.00	2.60	59.7	11.790	115/208-230	1;3;9;42
		1800	56	.3318XS1B56	\$670	XF	25	1.00	3.00	60.4	11.790	115/208-230	1;3;9;42
0.5	0.37	3600	56	.5036XS1B56	\$636	XF	26	1.00	3.40	66.7	12.040	115/208-230	1;3;9;42
		1800	56	.5018XS1B56	\$739	XF	27	1.00	4.20	62.4	12.290	115/208-230	1;3;9;42
0.75	0.55	3600	56	.7536XS1B56	\$717	XF	30	1.00	4.30	74.5	12.540	115/208-230	1;3;9;42
		1800	56	.7518XS1B56	\$868	XF	34	1.00	4.52	70.8	13.040	115/208-230	1;3;9;42
1	0.75	3600	56	00136XS1B56	\$774	XF	32	1.00	5.30	76.5	13.040	115/208-230	1;3;9;42
		1800	56	00118XS1B56	\$988	XF	37	1.00	6.30	74.8	13.790	115/208-230	1;3;9;42
1.5	1.1	3600	56	00156XS1C56	\$1,121	XF	38	1.00	7.80	80.0	14.040	208-230	1;3;9;42
		1800	56H	00158XS1C56H	\$1,324	XF	48	1.00	7.80	80.0	15.420	208-230	1;3;9;42
2	1.5	3600	56H	00236XS1C56H	\$1,408	XF	43	1.00	9.80	81.1	14.540	208-230	1;3;9;42



C-Face - Foot Mount

HP	kW	RPM	Frame	Catalog Number	List Price	Mult. Symbol	Approx. Shipping Weight (lbs)	Service Factor	FL Amps @ High	FL. Eff (%)	"C" Dimension (in)	Voltage (V)	Notes
0.33	0.25	3600	56C	.3336XS1B56C	\$737	XF	23	1.00	2.60	59.7	11.790	115/208-230	1;3;9;42
		1800	56C	.3318XS1B56C	\$816	XF	25	1.00	3.00	60.4	11.790	115/208-230	1;3;9;42
0.5	0.37	3600	56C	.5036XS1B56C	\$717	XF	26	1.00	3.40	66.7	12.040	115/208-230	1;3;9;42
		1800	56C	.5018XS1B56C	\$817	XF	27	1.00	4.20	62.4	12.290	115/208-230	1;3;9;42
0.75	0.55	3600	56C	.7536XS1B56C	\$773	XF	30	1.00	4.30	74.5	12.540	115/208-230	1;3;9;42
		1800	56C	.7518XS1B56C	\$912	XF	34	1.00	4.52	70.8	13.040	115/208-230	1;3;9;42
1	0.75	3600	56C	00136XS1B56C	\$814	XF	32	1.00	5.30	76.5	13.040	115/208-230	1;3;9;42
		1800	56C	00118XS1B56C	\$1,036	XF	37	1.00	6.30	74.8	13.790	115/208-230	1;3;9;42
1.5	1.1	3600	56C	00156XS1C56C	\$1,274	XF	38	1.00	7.80	80.0	14.040	208-230	1;3;9;42
		1800	56HC	00158XS1C56HC	\$1,420	XF	48	1.00	7.80	80.0	15.420	208-230	1;3;9;42
2	1.5	3600	56HC	00236XS1C56HC	\$1,457	XF	43	1.00	9.80	81.1	14.540	208-230	1;3;9;42

Please refer to back cover for description of "NOTES"

For detailed specifications, data sheets, drawings and performance curves visit <http://www.weg.net>

Explosion Proof Motors

NEMA Premium® EFFICIENCY MOTORS

WEG Explosion Proof motors are suitable for applications requiring UL or CSA certification for hazardous locations.

Standard Features:

- Class F insulation (Impregnation Resin and Magnet wire are class H)
- F1 Mounted
- Stainless Steel Nameplate - Laser etched with high contrast background
- Regreasable ball bearings (Frames 254T and up)
- CSA Approved - File LR50962
 - Class I, Division 1, Groups C & D Temperature Code T3C
 - Class II, Division 1, Groups F & G Temperature Code T3C
- UL Listed - File E87848
 - Class I, Division 1, Groups C & D
 - Class II, Division 1, Groups F & G¹
 - Frame (143T-326T) Temperature Code T3C
 - Frame (364T and up) Temperature Code T3C
- *Class II UL only available as IP54 Modification. Stock units are Class II only for cCSA_{US}*



Features that make a difference:

- NPT threaded terminal box
- Non-sparking fan
- Thermostats
- IP55 rated enclosure
- VFD Service 20:1 CT; 1000:1 VT (cCSAus and excludes frames 449T & 586/7)

CSA files are NRTL cCSAus listings

Inverter Rated:

UL Listed - 143T - 215T only (File E87848)

CSA US - all frames (Certificate 1629892)

Constant Torque

20:1 for frames 143T to 447T - Class I & II

4:1 for frame 449T - Class I only

20:1 for frame 504/5 - Class I & II

2:1 for frame 586/7 - Class I & II

Variable Torque

1000:1 for all frames excluding 449T - Class I & II

1000:1 for 449T - Class I only

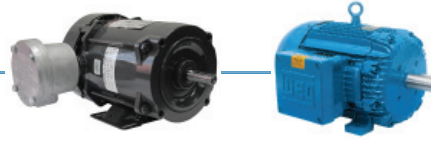
ADDITIONAL TECHNICAL DATA

ELECTRICAL DATA: B-19

MECHANICAL DATA: B-76



Explosion Proof Motors



THREE -PHASE

Foot Mount

HP	kW	RPM	Frame	Catalog Number	List Price	Mult. Symbol	Approx. Shipping Weight (lbs)	Service Factor	FL Amps @ High	FL. Eff (%)	"C" Dimension (in)	Voltage (V)	Notes
0.33	0.25	3600	56	.3336XS3E56	\$650	XF	21	1.00	0.60	69.8	10.520	208-230/460	1;3;9;42
		1800	56	.3318XS3E56	\$713	XF	23	1.00	0.60	76.7	10.520	208-230/460	1;3;9;17;42
0.5	0.37	3600	56	.5036XS3E56	\$782	XF	24	1.00	0.90	73.1	11.790	208-230/460	1;3;9;42
		1800	56	.5018XS3E56	\$741	XF	27	1.00	0.85	79.1	11.920	208-230/460	1;3;9;42
0.75	0.55	3600	56	.7536XS3E56	\$815	XF	25	1.00	1.20	77.1	11.790	208-230/460	1;3;9;42
		1800	56	.7518XS3E56	\$817	XF	28	1.00	1.40	78.6	12.290	208-230/460	1;3;9;42
1	0.75	3600	56	00136XT3E56	\$858	XF	27	1.00	1.60	77.0	11.920	230/460	1;3;9;42
		3600	143/5T	00136XT3E143/5T	\$886	XT	64	1.15	1.41	81.5	13.752	230/460	
		1800	56	00118XT3E56	\$922	XF	31	1.00	1.60	85.5	13.660	230/460	1;3;9;42
		1800	143/5T	00118XT3E143/5T	\$901	XT	62	1.15	1.43	85.5	13.752	230/460	
		1800	143/5T	00118XT3H143/5T	\$901	XT	62	1.15	1.14	85.5	13.752	575	
		1200	145T	00112XT3E145T	\$988	XT	71	1.15	1.54	82.5	13.752	230/460	
		1200	145T	00112XT3H145T	\$988	XT	71	1.15	1.23	82.5	13.752	575	
1.5	1.1	900	182/4T	00109XT3E182T	\$1,974	XT	120	1.15	2.30	78.5	15.862	230/460	
		3600	56	00156XT3E56	\$1,050	XF	30	1.00	2.10	84.0	12.780	230/460	1;3;9;42
		3600	143/5T	00156XT3E143/5T	\$916	XT	65	1.15	2.05	84.0	13.752	230/460	
		3600	143/5T	00156XT3H143/5T	\$916	XT	64	1.15	1.64	84.0	13.752	575	
		1800	56H	00158XT3E56H	\$1,003	XF	41	1.00	2.10	86.5	14.540	230/460	1;3;9;42
		1800	145T	00158XT3E145T	\$963	XT	70	1.15	2.05	86.5	13.752	230/460	
		1800	145T	00158XT3H145T	\$963	XT	69	1.15	1.64	86.5	13.752	575	
		1200	182/4T	00152XT3E182T	\$1,105	XT	121	1.15	2.32	87.5	15.862	230/460	
		1200	182/4T	00152XT3H182T	\$1,105	XT	119	1.15	1.86	87.5	15.862	575	
2	1.5	900	184T	00159XT3E184T	\$1,901	XT	136	1.15	2.70	82.5	15.862	230/460	
		3600	56H	00236XT3E56H	\$1,171	XF	35	1.00	2.70	85.5	14.040	230/460	1;3;9;42
		3600	145T	00236XT3E145T	\$935	XT	72	1.15	2.69	85.5	13.752	230/460	
		3600	145T	00236XT3H145T	\$935	XT	72	1.15	2.15	85.5	13.752	575	
		1800	56H	00218XT3E56H	\$1,090	XF	48	1.00	2.70	86.5	15.040	230/460	1;3;9;42
		1800	145T	00218XT3E145T	\$995	XT	70	1.15	2.72	86.5	13.752	230/460	
		1800	145T	00218XT3H145T	\$995	XT	70	1.15	2.18	86.5	13.752	575	
		1200	184T	00212XT3E184T	\$1,158	XT	137	1.15	3.13	88.5	15.862	230/460	
		1200	184T	00212XT3H184T	\$1,158	XT	137	1.15	2.50	88.5	15.862	575	
3	2.2	900	213/5T	00209XT3E213/5T	\$2,439	XT	174	1.15	3.45	84.0	19.450	230/460	39
		3600	182/4T	00336XT3E182T	\$1,192	XT	120	1.15	3.76	86.5	15.862	230/460	
		3600	182/4T	00336XT3H182T	\$1,192	XT	120	1.15	3.01	86.5	15.862	575	
		1800	182/4T	00318XT3E182T	\$1,208	XT	120	1.15	3.91	89.5	15.862	230/460	
		1800	182/4T	00318XT3H182T	\$1,208	XT	120	1.15	3.13	89.5	15.862	575	
		1200	213/5T	00312XT3E213/5T	\$1,792	XT	187	1.15	4.41	89.5	19.450	230/460	
		1200	213/5T	00312XT3H213/5T	\$1,792	XT	187	1.15	3.53	89.5	19.450	575	
5	3.7	900	215T	00309XT3E215T	\$2,805	XT	205	1.15	4.36	85.5	19.450	230/460	39
		3600	184T	00536XT3E184T	\$1,255	XT	135	1.15	6.10	88.5	15.862	230/460	39
		3600	184T	00536XT3H184T	\$1,255	XT	135	1.15	4.88	88.5	15.862	575	39
		1800	184T	00518XT3E184T	\$1,220	XT	127	1.15	6.57	89.5	15.862	230/460	39
		1800	184T	00518XT3H184T	\$1,220	XT	137	1.15	5.26	89.5	15.862	575	39
		1200	215T	00512XT3E215T	\$1,899	XT	213	1.15	6.83	89.5	19.450	230/460	
		1200	215T	00512XT3H215T	\$1,899	XT	213	1.15	5.46	89.5	19.450	575	
		900	254T	00509XT3E254T	\$3,953	XT	344	1.15	7.93	87.5	23.175	230/460	

continued on next page

Please refer to back cover for description of "NOTES"

For detailed specifications, data sheets, drawings and performance curves visit <http://www.weg.net>

Data subject to change without notice.



Foot Mount - continued

HP	kW	RPM	Frame	Catalog Number	List Price	Mult. Symbol	Approx. Shipping Weight (lbs)	Service Factor	FL Amps @ High	FL. Eff (%)	"C" Dimension (in)	Voltage (V)	Notes
7.5	5.5	3600	213/5T	00736XT3E213/5T	\$1,646	XT	182	1.15	8.57	89.5	19.450	230/460	
		3600	213/5T	00736XT3H213/5T	\$1,646	XT	182	1.15	6.86	89.5	19.450	575	
		1800	213/5T	00718XT3E213/5T	\$1,897	XT	178	1.15	9.41	91.7	19.450	230/460	
		1800	213/5T	00718XT3H213/5T	\$1,897	XT	177	1.15	7.53	91.7	19.450	575	
		1200	254T	00712XT3E254T	\$2,483	XT	344	1.15	9.73	91.0	23.175	230/460	
		1200	254T	00712XT3H254T	\$2,483	XT	344	1.15	7.78	91.0	23.175	575	
		900	256T	00709XT3E256T	\$4,707	XT	388	1.15	11.6	87.5	24.923	230/460	39
10	7.5	3600	215T	01036XT3E215T	\$1,727	XT	207	1.15	11.6	90.2	19.450	230/460	
		3600	215T	01036XT3H215T	\$1,727	XT	206	1.15	9.28	90.2	19.450	575	
		1800	L215T	01018XT3E215T	\$1,997	XT	149	1.15	12.7	91.7	20.631	230/460	
		1800	L215T	01018XT3H215T	\$1,997	XT	213	1.15	10.2	91.7	20.631	575	
		1200	256T	01012XT3E256T	\$2,900	XT	387	1.15	13.3	91.0	24.923	230/460	
		1200	256T	01012XT3H256T	\$2,900	XT	387	1.15	10.6	91.0	24.923	575	39
		900	284T	01009XT3E284T	\$5,668	XT	496	1.15	13.3	91.0	26.407	230/460	
15	11	3600	254T	01536XT3E254T	\$2,387	XT	343	1.15	17.4	91.0	23.175	230/460	
		3600	254T	01536XT3H254T	\$2,387	XT	342	1.15	13.9	91.0	23.175	575	
		1800	254T	01518XT3E254T	\$2,653	XT	348	1.15	18.4	92.4	23.175	230/460	
		1800	254T	01518XT3H254T	\$2,653	XT	302	1.15	14.7	92.4	23.175	575	
		1200	284T	01512XT3E284T	\$4,048	XT	498	1.15	17.5	91.7	26.407	230/460	
		1200	284T	01512XT3H284T	\$4,048	XT	497	1.15	14.0	91.7	26.407	575	
		900	286T	01509XT3E286T	\$7,102	XT	536	1.15	19.0	91.0	27.905	230/460	
20	15	3600	256T	02036XT3E256T	\$3,083	XT	380	1.15	23.2	91.0	24.923	230/460	
		3600	256T	02036XT3H256T	\$3,083	XT	379	1.15	18.6	91.0	24.923	575	
		1800	256T	02018XT3E256T	\$3,008	XT	391	1.15	25.0	93.0	24.923	230/460	
		1800	256T	02018XT3H256T	\$3,008	XT	392	1.15	20.0	93.0	24.923	575	
		1200	286T	02012XT3E286T	\$4,444	XT	537	1.15	24.2	91.7	27.905	230/460	
		1200	286T	02012XT3H286T	\$4,444	XT	536	1.15	19.4	91.7	27.905	575	
		900	324T	02009XT3E324T	\$8,390	XT	654	1.15	27.5	92.4	29.602	230/460	
25	18.5	3600	284TS	02536XT3E284TS	\$4,188	XT	493	1.15	28.6	92.4	25.033	230/460	
		3600	284TS	02536XT3H284TS	\$4,188	XT	493	1.15	22.9	92.4	25.033	575	
		1800	284T	02518XT3E284T	\$3,886	XT	486	1.15	29.9	93.6	26.407	230/460	
		1800	284T	02518XT3H284T	\$3,886	XT	506	1.15	23.9	93.6	26.407	575	
		1200	324T	02512XT3E324T	\$5,375	XT	686	1.15	30.4	93.0	29.602	230/460	
		1200	324T	02512XT3H324T	\$5,375	XT	665	1.15	24.3	93.0	29.602	575	
		900	326T	02509XT3E326T	\$10,512	XT	713	1.15	35.4	92.4	31.106	230/460	
30	22	3600	286TS	03036XT3E286TS	\$4,262	XT	544	1.15	33.7	93.0	26.531	230/460	
		3600	286TS	03036XT3H286TS	\$4,262	XT	543	1.15	27.0	93.0	26.531	575	
		1800	286T	03018XT3E286T	\$4,296	XT	650	1.15	36.0	93.6	27.905	230/460	
		1800	286T	03018XT3H286T	\$4,296	XT	546	1.15	28.8	93.6	27.905	575	
		1200	326T	03012XT3E326T	\$6,196	XT	747	1.15	36.7	93.0	31.106	230/460	39
		1200	326T	03012XT3H326T	\$6,196	XT	734	1.15	29.4	93.0	31.106	575	
		900	364/5T	03009XT3E364T	\$15,071	XT	1010	1.15	38.5	93.0	33.701	230/460	

continued on next page

Please refer to back cover for description of "NOTES"

For detailed specifications, data sheets, drawings and performance curves visit <http://www.weg.net>

Data subject to change without notice.

Can't find what you are looking for? Call 1-800-ASK-4WEG (275-4934)

THREE -PHASE

Foot Mount - *continued*

HP	kW	RPM	Frame	Catalog Number	List Price	Mult. Symbol	Approx. Shipping Weight (lbs)	Service Factor	FL Amps @ High	FL. Eff (%)	"C" Dimension (in)	Voltage (V)	Notes
40	30	3600	324TS	04036XT3E324TS	\$5,583	XT	669	1.15	45.8	93.6	28.102	230/460	
		3600	324TS	04036XT3H324TS	\$5,583	XT	669	1.15	36.6	93.6	28.102	575	
		1800	324T	04018XT3E324T	\$5,380	XT	690	1.15	48.2	94.1	29.602	230/460	
		1800	324T	04018XT3H324T	\$5,380	XT	693	1.15	38.6	94.1	29.602	575	
		1200	364/5T	04012XT3E364T	\$10,576	XT	1091	1.15	47.1	94.1	33.701	230/460	
		1200	364/5T	04012XT3H364T	\$10,576	XT	1084	1.15	37.7	94.1	33.701	575	
		900	364/5T	04009XT3E365T	\$15,505	XT	1110	1.15	52.2	93.6	33.701	230/460	
50	37	3600	326TS	05036XT3E326TS	\$6,582	XT	731	1.15	55.5	94.1	29.606	230/460	
		3600	326TS	05036XT3H326TS	\$6,582	XT	723	1.15	44.4	94.1	29.606	575	
		1800	326T	05018XT3E326T	\$6,545	XT	702	1.15	60.6	94.5	31.106	230/460	
		1800	326T	05018XT3H326T	\$6,545	XT	732	1.15	48.5	94.5	31.106	575	
		1200	364/5T	05012XT3E365T	\$10,597	XT	1124	1.15	58.1	94.1	33.701	230/460	39
		1200	364/5T	05012XT3H365T	\$10,597	XT	1113	1.15	46.5	94.1	33.701	575	
		900	404/5T	05009XT3E404T	\$22,443	XT	1338	1.15	68.0	93.6	38.074	230/460	
60	45	3600	364/5TS	06036XT3E364TS	\$9,988	XT	1109	1.15	68.2	94.1	31.575	230/460	
		3600	364/5TS	06036XT3H364TS	\$9,988	XT	1114	1.15	54.6	94.1	31.575	575	
		1800	364/5T	06018XT3E364T	\$10,460	XT	1146	1.15	68.3	95.0	33.701	230/460	
		1800	364/5T	06018XT3H364T	\$10,460	XT	1112	1.15	54.6	95.0	33.701	575	
		1200	404/5T	06012XT3E404T	\$13,196	XT	1279	1.15	70.3	94.5	38.074	230/460	39
		1200	404/5T	06012XT3H404T	\$13,196	XT	1222	1.15	56.2	94.5	38.074	575	
		900	404/5T	06009XT3E405T	\$26,900	XT	1336	1.15	75.9	93.0	38.074	230/460	
75	55	3600	364/5TS	07536XT3E365TS	\$11,285	XT	1110	1.15	82.4	94.1	31.575	230/460	
		3600	364/5TS	07536XT3H365TS	\$11,285	XT	1033	1.15	65.9	94.1	31.575	575	
		1800	364/5T	07518XT3E365T	\$11,125	XT	1146	1.15	83.2	95.4	33.701	230/460	
		1800	364/5T	07518XT3H365T	\$11,125	XT	1133	1.15	66.6	95.4	33.701	575	
		1200	404/5T	07512XT3E405T	\$13,836	XT	1330	1.15	87.0	94.5	38.074	230/460	
		900	444/5T	07509XT3E444T	\$29,094	XT	2077	1.15	92.2	93.6	43.797	230/460	
		3600	404/5TS	10036XT3E405TS	\$12,999	XT	1290	1.15	110	95.0	35.074	230/460	
100	75	3600	404/5TS	10036XT3G405TS	\$12,999	XT	1214	1.15	110	95.0	35.074	460	
		3600	404/5TS	10036XT3H405TS	\$12,999	XT	1296	1.15	88.1	95.0	35.074	575	39
		1800	404/5T	10018XT3E405T	\$14,206	XT	1317	1.15	113	95.4	38.074	230/460	
		1800	404/5T	10018XT3G405T	\$14,206	XT	1313	1.15	113	95.4	38.074	460	
		1800	404/5T	10018XT3H405T	\$14,206	XT	1322	1.15	90.4	95.4	38.074	575	
		1200	444/5T	10012XT3E444T	\$21,032	XT	2268	1.15	121	95.0	43.797	230/460	
		1200	444/5T	10012XT3G444T	\$21,032	XT	2233	1.15	121	95.0	43.797	460	
		900	444/5T	10009XT3E445T	\$31,191	XT	2225	1.15	125	94.1	43.797	230/460	
		900	444/5T	10009XT3G445T	\$31,191	XT	2061	1.15	125	94.1	43.797	460	
		125	90	3600	444/5TS	12536XT3G444TS	\$20,874	XT	2173	1.15	132	95.0	40.047
1800	444/5T			12518XT3E444T	\$19,961	XT	2214	1.15	142	95.4	43.797	230/460	
1800	444/5T			12518XT3G444T	\$19,961	XT	2208	1.15	142	95.4	43.797	460	
1200	444/5T			12512XT3G445T	\$21,537	XT	2428	1.15	150	95.0	43.797	460	

continued on next page

Please refer to back cover for description of "NOTES"

For detailed specifications, data sheets, drawings and performance curves visit <http://www.weg.net>



Foot Mount - continued

HP	kW	RPM	Frame	Catalog Number	List Price	Mult. Symbol	Approx. Shipping Weight (lbs)	Service Factor	FL Amps @ High	FL. Eff (%)	"C" Dimension (in)	Voltage (V)	Notes
150	110	3600	444/5TS	15036XT3G445TS	\$21,320	XT	2345	1.15	161	95.4	40.047	460	39
		1800	444/5T	15018XT3E445T	\$21,557	XT	2364	1.15	170	95.8	43.797	230/460	
		1800	444/5T	15018XT3G445T	\$21,557	XT	2358	1.15	170	95.8	43.797	460	
		1800	444/5T	15018XT3H445T	\$21,557	XT	2353	1.15	136	95.8	43.797	575	39
		1200	447T	15012XT3G447T	\$32,370	XT	2828	1.15	174	95.8	47.339	460	
		1200	504/5T	15012XT3G504	\$32,370	XT	2869	1.15	174	95.8	49.445	460	43
200	150	3600	447TS	20036XT3G447TS	\$29,446	XT	2656	1.15	221	95.8	43.589	460	
		1800	447T	20018XT3G447T	\$29,397	XT	2585	1.15	230	96.2	47.339	460	
		1800	504/5T	20018XT3G504	\$29,397	XT	2534	1.15	230	96.2	49.445	460	37;43
		1200	447T	20012XT3G447T	\$33,613	XT	2848	1.15	249	95.8	47.339	460	
250	185	3600	447TS	25036XT3G447TS	\$31,124	XT	2774	1.15	269	95.8	43.589	460	
		1800	447T	25018XT3G447T	\$32,866	XT	2853	1.15	284	96.2	47.339	460	
		1800	447T	25018XT3H447T	\$32,866	XT	2742	1.15	227	96.2	47.339	575	
		1200	449T	25012XT3G449T	\$48,048	XT	3352	1.15	299	95.8	54.996	460	
300	220	3600	449TS	30036XT3G449TS	\$48,747	XT	3185	1.15	320	95.8	51.246	460	37
		1800	449T	30018XT3G449T	\$42,566	XT	3280	1.15	334	96.2	54.996	460	37
		1200	449T	30012XT3G449T	\$52,790	XT	3361	1.15	351	95.8	54.996	460	
350	260	3600	449TS	35036XT3G449TS	\$65,868	XT	3802	1.15	379	95.8	51.246	460	
		1800	449T	35018XT3G449T	\$53,222	XT	3476	1.15	390	96.2	54.996	460	37;39
		1200	586/7	35012XT3G586/7	\$71,652	XT	4655	1.15	421	95.8	61.389	460	39;43
400	300	1800	586/7	40018XT3G586/7	\$61,096	XT	4345	1.15	460	96.2	61.389	460	43
		1200	586/7	40012XT3G586/7	\$75,473	XT	5267	1.15	479	95.8	61.389	460	43
450	330	1800	586/7	45018XT3G586/7	\$65,201	XT	4747	1.15	501	96.2	61.389	460	19;39;43
500	370	1800	586/7	50018XT3G586/7	\$70,086	XT	5063	1.00	568	96.2	61.389	460	1;19;43

Explosion Proof Motors

Please refer to back cover for description of "NOTES"

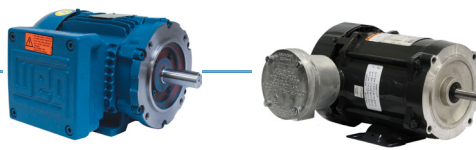
For detailed specifications, data sheets, drawings and performance curves visit <http://www.weg.net>

Data subject to change without notice.

Can't find what you are looking for? Call 1-800-ASK-4WEG (275-4934)

A-115

Explosion Proof Motors



THREE -PHASE

C-Face - Foot Mount

HP	kW	RPM	Frame	Catalog Number	List Price	Mult. Symbol	Approx. Shipping Weight (lbs)	Service Factor	FL Amps @ High	FL. Eff (%)	"C" Dimension (in)	Voltage (V)	Notes
0.33	0.25	3600	56C	.3336XS3E56C	\$821	XF	21	1.00	0.60	69.8	10.520	208-230/460	1;3;9;42
		1800	56C	.3318XS3E56C	\$877	XF	23	1.00	0.60	76.7	10.520	208-230/460	1;3;9;17;42
0.5	0.37	3600	56C	.5036XS3E56C	\$856	XF	24	1.00	0.90	73.1	11.790	208-230/460	1;3;9;42
		1800	56C	.5018XS3E56C	\$926	XF	27	1.00	0.85	79.1	11.920	208-230/460	1;3;9;42
0.75	0.55	3600	56C	.7536XS3E56C	\$884	XF	25	1.00	1.20	77.1	11.790	208-230/460	1;3;9;42
		1800	56C	.7518XS3E56C	\$944	XF	28	1.00	1.40	78.6	12.290	208-230/460	1;3;9;42
1	0.75	3600	56C	00136XT3E56C	\$924	XF	27	1.00	1.60	77.0	11.920	230/460	1;3;9;42
		1800	56C	00118XT3E56C	\$1,007	XF	31	1.00	1.60	82.2	13.660	230/460	1;3;9;42
		1800	143TC	00118XT3E143TC	\$1,054	XT	71	1.15	1.43	85.5	12.760	230/460	
		1200	143/5TC	00112XT3E145TC	\$1,107	XT	80	1.15	1.54	82.5	13.752	230/460	
1.5	1.1	3600	56C	00156XT3E56C	\$1,038	XF	30	1.00	2.10	84.0	12.780	230/460	1;3;9;42
		3600	143/5TC	00156XT3E143TC	\$1,069	XT	73	1.15	2.05	84.0	13.752	230/460	
		1800	56HC	00158XT3E56HC	\$1,011	XF	41	1.00	2.10	86.5	14.540	230/460	1;3;9;42
		1800	143/5TC	00158XT3E145TC	\$1,116	XT	79	1.15	2.05	86.5	13.752	230/460	
		1800	143/5TC	00158XT3H145TC	\$1,024	XT	75	1.15	1.64	86.5	13.752	575	
		1200	182/4TC	00152XT3E182TC	\$1,270	XT	123	1.15	2.32	87.5	15.862	230/460	
2	1.5	3600	56HC	00236XT3E56HC	\$1,125	XF	35	1.00	2.70	85.5	14.040	230/460	1;3;9;42
		3600	143/5TC	00236XT3E145TC	\$1,045	XT	81	1.15	2.69	85.5	13.752	230/460	39
		1800	56HC	00218XT3E56HC	\$1,162	XF	48	1.00	2.70	86.5	15.040	230/460	1;3;9;42
		1800	143/5TC	00218XT3E145TC	\$1,148	XT	79	1.15	2.72	86.5	13.752	230/460	
		1800	143/5TC	00218XT3H145TC	\$1,148	XT	78	1.15	2.18	86.5	13.752	575	
		1200	182/4TC	00212XT3E184TC	\$1,323	XT	140	1.15	3.13	88.5	15.862	230/460	
3	2.2	3600	182/4TC	00336XT3E182TC	\$1,262	XT	122	1.15	3.76	86.5	15.862	230/460	39
		1800	182/4TC	00318XT3E182TC	\$1,373	XT	122	1.15	3.91	89.5	15.862	230/460	
		1800	182/4TC	00318XT3H182TC	\$1,373	XT	122	1.15	3.13	89.5	15.862	575	
		1200	213/5TC	00312XT3E213TC	\$1,868	XT	195	1.15	4.41	89.5	19.450	230/460	39
5	3.7	3600	182/4TC	00536XT3E184TC	\$1,325	XT	137	1.15	6.10	88.5	15.862	230/460	39
		3600	182/4TC	00536XT3H184TC	\$1,325	XT	137	1.15	4.88	88.5	15.862	575	39
		1800	182/4TC	00518XT3E184TC	\$1,385	XT	139	1.15	6.57	89.5	15.862	230/460	39
		1800	182/4TC	00518XT3H184TC	\$1,385	XT	139	1.15	5.26	89.5	15.862	575	39
		1200	213/5TC	00512XT3E215TC	\$1,975	XT	221	1.15	6.83	89.5	19.450	230/460	
7.5	5.5	3600	213/5TC	00736XT3E213TC	\$1,722	XT	190	1.15	8.57	89.5	19.450	230/460	
		1800	213/5TC	00718XT3E213TC	\$2,080	XT	186	1.15	9.41	91.7	19.450	230/460	
		1800	213/5TC	00718XT3H213TC	\$2,080	XT	185	1.15	7.53	91.7	19.450	575	
10	7.5	3600	213/5TC	01036XT3E215TC	\$1,803	XT	215	1.15	11.6	90.2	19.450	230/460	
		3600	213/5TC	01036XT3H215TC	\$1,803	XT	214	1.15	9.28	90.2	19.450	575	
		1800	L215TC	01018XT3E215TC	\$2,180	XT	215	1.15	12.7	91.7	20.631	230/460	
		1800	L215TC	01018XT3H215TC	\$2,180	XT	221	1.15	10.2	91.7	20.631	575	
15	11	3600	254TC	01536XT3E254TC	\$2,490	XT	346	1.15	17.4	91.0	23.175	230/460	
		1800	254TC	01518XT3E254TC	\$2,976	XT	306	1.15	18.4	92.4	23.175	230/460	
		1800	254TC	01518XT3H254TC	\$2,976	XT	305	1.15	14.7	92.4	23.175	575	
20	15	1800	256TC	02018XT3E256TC	\$3,331	XT	395	1.15	25.0	93.0	24.923	230/460	
		1800	256TC	02018XT3H256TC	\$3,111	XT	394	1.15	20.0	93.0	24.923	575	
25	18.5	1800	284TC	02518XT3E284TC	\$4,262	XT	514	1.15	29.9	93.6	26.407	230/460	
		1800	284TC	02518XT3H284TC	\$4,262	XT	513	1.15	23.9	93.6	26.407	575	

continued on next page

Please refer to back cover for description of "NOTES"

For detailed specifications, data sheets, drawings and performance curves visit <http://www.weg.net>

C-Face - Foot Mount - *continued*

HP	kW	RPM	Frame	Catalog Number	List Price	Mult. Symbol	Approx. Shipping Weight (lbs)	Service Factor	FL Amps @ High	FL. Eff (%)	"C" Dimension (in)	Voltage (V)	Notes
30	22	1800	286TC	03018XT3E286TC	\$4,672	XT	555	1.15	36.0	93.6	27.905	230/460	
40	30	1800	324TC	04018XT3E324TC	\$5,919	XT	700	1.15	48.2	94.1	29.602	230/460	
50	37	1800	326TC	05018XT3E326TC	\$7,084	XT	740	1.15	60.6	94.5	31.106	230/460	
60	45	1800	364/5TC	06018XT3E364TC	\$11,116	XT	1126	1.15	68.3	95.0	33.701	230/460	
75	55	1800	364/5TC	07518XT3E365TC	\$11,781	XT	1147	1.15	83.2	95.4	33.701	230/460	
100	75	1800	404/5TC	10018XT3E405TC	\$14,993	XT	1335	1.15	113	95.4	38.074	230/460	



C-Face - Footless

HP	kW	RPM	Frame	Catalog Number	List Price	Mult. Symbol	Approx. Shipping Weight (lbs)	Service Factor	FL Amps @ High	FL. Eff (%)	"C" Dimension (in)	Voltage (V)	Notes
1	0.75	1800	143/5TC	00118XT3ER143TC	\$1,072	XT	71	1.15	1.43	85.5	14.460	230/460	15
1.5	1.1	1800	143/5TC	00158XT3ER145TC	\$1,135	XT	78	1.15	2.05	86.5	14.460	230/460	15
2	1.5	1800	143/5TC	00218XT3ER145TC	\$1,168	XT	78	1.15	2.72	86.5	14.460	230/460	15
3	2.2	1800	182/4TC	00318XT3ER182TC	\$1,397	XT	128	1.15	3.91	89.5	17.082	230/460	15
5	3.7	1800	182/4TC	00518XT3ER184TC	\$1,409	XT	142	1.15	6.57	89.5	17.082	230/460	15;39
7.5	5.5	1800	213/5TC	00718XT3ER213TC	\$2,118	XT	186	1.15	9.41	91.7	19.450	230/460	15
10	7.5	1800	L215TC	01018XT3ER215TC	\$2,220	XT	220	1.15	12.7	91.7	23.493	230/460	15
15	11	1800	254TC	01518XT3ER254TC	\$3,029	XT	320	1.15	18.4	92.4	25.025	230/460	15
20	15	1800	256TC	02018XT3ER256TC	\$3,391	XT	403	1.15	25.0	93.0	26.773	230/460	15
25	18.5	1800	284TC	02518XT3ER284TC	\$4,340	XT	523	1.15	29.9	93.6	28.651	230/460	15
30	22	1800	286TC	03018XT3ER286TC	\$4,758	XT	548	1.15	36.0	93.6	30.149	230/460	15
40	30	1800	324TC	04018XT3ER324TC	\$6,027	XT	702	1.15	48.2	94.1	32.240	230/460	15
50	37	1800	326TC	05018XT3ER326TC	\$7,215	XT	739	1.15	60.6	94.5	33.744	230/460	15



JP - Foot Mount

HP	kW	RPM	Frame	Catalog Number	List Price	Mult. Symbol	Approx. Shipping Weight (lbs)	Service Factor	FL Amps @ High	FL. Eff (%)	"C" Dimension (in)	Voltage (V)	Notes
3	2.2	1800	182/4JP	00318XT3E182JP	\$1,586	XT	119	1.15	3.91	89.5	20.431	230/460	
		1800	182/4JP	00318XT3H182JP	\$1,586	XT	119	1.15	3.13	89.5	20.431	575	
5	3.7	1800	182/4JP	00518XT3E184JP	\$1,609	XT	136	1.15	6.57	89.5	20.306	230/460	
		1800	182/4JP	00518XT3H184JP	\$1,609	XT	136	1.15	5.26	89.5	20.306	575	

Please refer to back cover for description of "NOTES"

For detailed specifications, data sheets, drawings and performance curves visit <http://www.weg.net>

Data subject to change without notice.

Can't find what you are looking for? Call 1-800-ASK-4WEG (275-4934)



WEG offers a complete range of products and services for the Oil & Gas segment

WEG / EM has manufactured motors and generators for the petroleum industry for over 100 years. We understand that every application is different and will work with the customer to meet their needs.

Motors can be designed to API Standards (where applicable), meeting welding, structural, vibration and testing requirements. Motors can be built for operation in classified hazardous areas per NEC or IEC/EN (ATEX) requirements. For synchronous motors, standard brushless excitation is non-sparking for hazardous atmospheres.



Synchronous and Induction Motors
Up to 150,000 HP



Turbogenerators
Up to 150 MW



NEMA, Above NEMA and IEC Low Voltage Motors
Up to 2,000 HP



Low and Medium Voltage Drives and Soft Starters
Up to 10,000 HP

1-800-ASK-4WEG

Visit us online at www.weg.net/us

Transforming energy into solutions.

Three-Phase IEC - Flameproof Motors

ATEX MOTORS

TEFC - Ex d - IE2

Standard Features:

- 50 Hz and 60 Hz rated (1.00 Service Factor)
- Class F insulation (Impregnation Resin and magnet Wire are class H)
- F3 mounted as standard
- Stainless Steel Nameplate - Laser etched with high contrast background
- Regreasable ball bearings (Frames 225 and up)
- Gasketed conduit box
- Zone 1 and 2, Groups IIA and IIB, class of temperature T4
- Suitable for WYE/Delta Start
- Design N
- Conductive plastic fan (frames 63 up to 315)
- Aluminum fan (frame 355)
- Lip Seal on both endshields
- Thermistors 1 per phase
- IP56
- CT: 2:1
- VFD Suitable



Explosion Proof
Motors

ADDITIONAL TECHNICAL DATA

CONTACT WEG OR VISIT WWW.WEG.NET



Explosion Proof Motors



THREE -PHASE

ATEX Foot Mount

HP	kW	RPM	Frame	Catalog Number	List Price	Mult. Symbol	Approx. Shipping Weight (lbs)	Service Factor	FL Amps @ High	FL. Eff (%)	"C" Dimension (in)	Voltage (V)	Notes
1	0.75	3000//3600	90S/L	E0.7536XP3WAX90SF3-W	\$1,267	XD	68	1.00	1.69	79.2	15.118	220-240/380-415//440-460	1;8;27
		1500//1800	90S/L	E0.7518XP3WAX90SF3-W	\$1,283	XD	91	1.00	1.66	80.4	15.118	220-240/380-415//440-460	1;8;27
		1000//1200	90S/L	E0.7512XP3WAX90LF3-W	\$1,199	XD	75	1.00	1.92	76.4	15.118	220-240/380-415//440-460	1;8;27
1.5	1.1	3000//3600	90S/L	E00136XP3WAX90SF3-W	\$1,318	XD	68	1.00	2.33	81.0	15.118	220-240/380-415//440-460	1;8;27
		1500//1800	90S/L	E00118XP3WAX90LF3-W	\$1,334	XD	75	1.00	2.45	82.1	15.118	220-240/380-415//440-460	1;8;27
		1000//1200	90S/L	E00112XP3WAX90LF3-W	\$1,588	XD	75	1.00	2.80	78.1	15.118	220-240/380-415//440-460	1;8;27
2	1.5	3000//3600	90S/L	E00156XP3WAX90SF3-W	\$1,371	XD	60	1.00	3.12	82.5	15.118	220-240/380-415//440-460	1;8;27
		1500//1800	100L	E00158XP3WAX100LF3-W	\$1,488	XD	123	1.00	3.16	83.7	17.244	220-240/380-415//440-460	1;8;27
		1000//1200	100L	E00152XP3WAX100LF3-W	\$1,757	XD	101	1.00	3.71	80.3	17.244	220-240/380-415//440-460	1;8;27
3	2.2	3000//3600	90S/L	E00236XP3WAX90LF3-W	\$1,534	XD	51	1.00	4.56	83.9	15.118	220-240/380-415//440-460	1;8;27
		1500//1800	100L	E00218XP3WAX100LF3-W	\$1,783	XD	136	1.00	4.56	84.9	17.244	220-240/380-415//440-460	1;8;27
		1000//1200	112M	E00212XP3YAX112MF3-W	\$2,040	XD	126	1.00	6.04	84.4	17.953	380-415/660-690//440-460	1;8;27
4	3	3000//3600	100L	E00336XP3WAX100LF3-W	\$1,918	XD	130	1.00	5.85	85.0	17.244	220-240/380-415//440-460	1;8;27
		1500//1800	112M	E00318XP3YAX112MF3-W	\$2,137	XD	145	1.00	6.09	87.9	17.953	380-415/660-690//440-460	1;8;27
		1000//1200	132S/M	E00312XP3YAX132SF3-W	\$3,224	XD	180	1.00	7.34	83.6	20.630	380-415/660-690//440-460	1;8;27
5.5	4	3000//3600	112M	E00436XP3YAX112MF3-W	\$2,414	XD	164	1.00	7.50	86.3	17.953	380-415/660-690//440-460	1;8;27
		1500//1800	112M	E00418XP3YAX112MF3-W	\$2,468	XD	147	1.00	8.00	87.0	17.953	380-415/660-690//440-460	1;8;27
		1000//1200	132S/M	E00412XP3YAX132MF3-W	\$3,607	XD	202	1.00	9.50	84.9	20.630	380-415/660-690//440-460	1;8;27
7.5	5.5	3000//3600	132S/M	E00536XP3YAX132SF3-W	\$3,083	XD	239	1.00	10.6	87.3	20.630	380-415/660-690//440-460	1;8;27
		1500//1800	132S/M	E00518XP3YAX132SF3-W	\$3,025	XD	247	1.00	10.4	87.7	20.630	380-415/660-690//440-460	1;8;27
		1000//1200	132S/M	E00512XP3YAX132MF3-W	\$3,800	XD	219	1.00	12.9	86.2	20.630	380-415/660-690//440-460	1;8;27
10	7.5	3000//3600	132S/M	E00736XP3YAX132SF3-W	\$3,556	XD	252	1.00	13.8	88.7	20.630	380-415/660-690//440-460	1;8;27
		1500//1800	132S/M	E00718XP3YAX132MF3-W	\$3,685	XD	224	1.00	13.9	89.4	20.630	380-415/660-690//440-460	1;8;27
		1000//1200	160M/L	E00712XP3YAX160MF3-W	\$5,017	XD	350	1.00	14.7	88.5	28.228	380-415/660-690//440-460	1;8;27

continued on next page

Please refer to back cover for description of "NOTES"

For detailed specifications, data sheets, drawings and performance curves visit <http://www.weg.net>



ATEX Foot Mount - *continued*

HP	kW	RPM	Frame	Catalog Number	List Price	Mult. Symbol	Approx. Shipping Weight (lbs)	Service Factor	FL Amps @ High	FL. Eff (%)	"C" Dimension (in)	Voltage (V)	Notes
15	11	3000//3600	160M/L	E01136XP3YAX160MF3-W	\$4,148	XD	446	1.00	20.1	90.6	28.228	380-415/660-690//440-460	1;8;27
		1500//1800	160M/L	E01118XP3YAX160MF3-W	\$4,151	XD	359	1.00	20.9	90.3	28.228	380-415/660-690//440-460	1;8;27
		1000//1200	160M/L	E01112XP3YAX160LF3-W	\$5,281	XD	392	1.00	21.7	89.3	28.228	380-415/660-690//440-460	1;8;27
20	15	3000//3600	160M/L	E01536XP3YAX160MF3-W	\$4,924	XD	461	1.00	27.2	91.4	28.228	380-415/660-690//440-460	1;8;27
		1500//1800	160M/L	E01518XP3YAX160LF3-W	\$4,608	XD	381	1.00	28.2	91.2	28.228	380-415/660-690//440-460	1;8;27
		1000//1200	180M/L	E01512XP3YAX180LF3-W	\$6,436	XD	512	1.00	27.1	90.6	29.606	380-415/660-690//440-460	1;8;27
25	18.5	3000//3600	160M/L	E01836XP3YAX160LF3-W	\$5,915	XD	409	1.00	33.2	92.2	28.228	380-415/660-690//440-460	1;8;27
		1500//1800	180M/L	E01818XP3YAX180MF3-W	\$6,059	XD	584	1.00	34.7	91.7	29.606	380-415/660-690//440-460	1;8;27
		1000//1200	200M/L	E01812XP3YAX200LF3-W	\$8,379	XD	617	1.00	35.2	91.3	32.323	380-415/660-690//440-460	1;8;27
30	22	3000//3600	180M/L	E02236XP3YAX180MF3-W	\$7,099	XD	582	1.00	38.1	92.4	29.606	380-415/660-690//440-460	1;8;27
		1500//1800	180M/L	E02218XP3YAX180LF3-W	\$6,706	XD	478	1.00	39.9	92.4	29.606	380-415/660-690//440-460	1;8;27
		1000//1200	200M/L	E02212XP3YAX200LF3-W	\$9,487	XD	529	1.00	41.8	91.6	32.323	380-415/660-690//440-460	1;8;27
40	30	3000//3600	200M/L	E03036XP3YAX200LF3-W	\$8,824	XD	647	1.00	52.2	93.0	32.323	380-415/660-690//440-460	1;8;27
		1500//1800	200M/L	E03018XP3YAX200LF3-W	\$8,717	XD	684	1.00	56.9	92.9	32.323	380-415/660-690//440-460	1;8;27
		1000//1200	225S/M	E03012XP3YAX225SMF3W	\$12,936	XD	937	1.00	54.9	92.7	37.441	380-415/660-690//440-460	1;8;27
50	37	3000//3600	200M/L	E03736XP3YAX200LF3-W	\$10,812	XD	573	1.00	64.0	93.5	32.323	380-415/660-690//440-460	1;8;27
		1500//1800	225S/M	E03718XP3YAX225SMF3W	\$11,099	XD	998	1.00	64.9	93.3	37.441	380-415/660-690//440-460	1;8;27
		1000//1200	250S/M	E03712XP3YAX250SMF3W	\$15,176	XD	1103	1.00	65.0	93.2	39.724	380-415/660-690//440-460	1;8;27
60	45	3000//3600	225S/M	E04536XP3YAX225SMF3W	\$17,255	XD	1075	1.00	75.8	93.8	36.260	380-415/660-690//440-460	1;8;27
		1500//1800	225S/M	E04518XP3YAX225SMF3W	\$12,846	XD	970	1.00	81.5	93.7	37.441	380-415/660-690//440-460	1;8;27
		1000//1200	280S/M	E04512XP3YAX280SMF3W	\$21,544	XD	1793	1.00	83.7	93.5	44.705	380-415/660-690//440-460	1;8;27
75	55	3000//3600	250S/M	E05536XP3YAX250SMF3W	\$21,608	XD	1227	1.00	92.5	94.0	39.724	380-415/660-690//440-460	1;8;27
		1500//1800	250S/M	E05518XP3YAX250SMF3W	\$19,034	XD	1312	1.00	94.6	94.1	39.724	380-415/660-690//440-460	1;8;27
		1000//1200	280S/M	E05512XP3YAX280SMF3W	\$27,320	XD	1704	1.00	99.4	93.9	44.705	380-415/660-690//440-460	1;8;27

Explosion Proof Motors

continued on next page

Please refer to back cover for description of "NOTES"

For detailed specifications, data sheets, drawings and performance curves visit <http://www.weg.net>

Data subject to change without notice.

Can't find what you are looking for? Call 1-800-ASK-4WEG (275-4934)

THREE -PHASE

ATEX Foot Mount - *continued*

HP	kW	RPM	Frame	Catalog Number	List Price	Mult. Symbol	Approx. Shipping Weight (lbs)	Service Factor	FL Amps @ High	FL Eff (%)	"C" Dimension (in)	Voltage (V)	Notes
100	75	3000//3600	280S/M	E07536XP3YAX280SMF3W	\$30,248	XD	1854	1.00	126	94.3	44.705	380-415/660-690//440-460	1;8;27
		1500//1800	280S/M	E07518XP3YAX280SMF3W	\$23,986	XD	1852	1.00	130	94.4	44.705	380-415/660-690//440-460	1;8;27
		1000//1200	315S/M	E07512XP3YAX315SMF3W	\$31,133	XD	1599	1.00	137	94.2	51.654	380-415/660-690//440-460	1;8;27
125	90	3000//3600	280S/M	E09036XP3YAX280SMF3W	\$36,063	XD	1934	1.00	151	94.5	44.705	380-415/660-690//440-460	1;8;27
		1500//1800	280S/M	E09018XP3YAX280SMF3W	\$33,209	XD	2060	1.00	154	94.7	44.705	380-415/660-690//440-460	1;8;27
		1000//1200	315S/M	E09012XP3YAX315SMF3W	\$40,124	XD	2271	1.00	159	94.6	51.654	380-415/660-690//440-460	1;8;27
150	110	3000//3600	315S/M	E11036XP3YAX315SMF3W	\$42,763	XD	2205	1.00	183	94.9	50.472	380-415/660-690//440-460	1;8;27
		1500//1800	315S/M	E11018XP3YAX315SMF3W	\$37,846	XD	2426	1.00	192	95.0	51.654	380-415/660-690//440-460	1;8;27
		1000//1200	315S/M	E11012XP3YAX315SMF3W	\$48,658	XD	2569	1.00	194	94.9	51.654	380-415/660-690//440-460	1;8;27
175	132	3000//3600	315S/M	E13236XP3YAX315SMF3W	\$54,064	XD	2337	1.00	217	95.2	50.472	380-415/660-690//440-460	1;8;27
		1500//1800	315S/M	E13218XP3YAX315SMF3W	\$45,939	XD	2624	1.00	224	95.2	51.654	380-415/660-690//440-460	1;8;27
		1000//1200	315S/M	E13212XP3YAX315SMF3W	\$82,346	XD	3749	1.00	233	95.0	51.654	380-415/660-690//440-460	1;8;27
220	160	3000//3600	315S/M	E16036XP3YAX315SMF3W	\$67,306	XD	2567	1.00	262	95.3	50.472	380-415/660-690//440-460	1;8;27
		1500//1800	315S/M	E16018XP3YAX315SMF3W	\$50,129	XD	2668	1.00	271	95.4	51.654	380-415/660-690//440-460	1;8;27
		1000//1200	355M/L	E16012XP3YAX355MLF3W	\$90,159	XD	3969	1.00	290	96.0	61.358	380-415/660-690//440-460	1;8;27
270	200	3000//3600	355M/L	E20036XP3YAX355MLF3W	\$100,962	XD	4035	1.00	320	95.6	58.602	380-415/660-690//440-460	1;8;27
		1500//1800	355M/L	E20018XP3YAX355MLF3W	\$80,905	XD	4006	1.00	346	95.6	61.358	380-415/660-690//440-460	1;8;27
		1000//1200	355M/L	E20012XP3YAX355MLF3W	\$110,130	XD	4212	1.00	368	95.7	61.358	380-415/660-690//440-460	1;8;27
340	250	3000//3600	355M/L	E25036XP3YAX355MLF3W	\$111,375	XD	4348	1.00	392	96.4	58.602	380-415/660-690//440-460	1;8;27
		1500//1800	355M/L	E25018XP3YAX355MLF3W	\$94,903	XD	4236	1.00	432	95.8	61.358	380-415/660-690//440-460	1;8;27
		1000//1200	355M/L	E25012XP3YAX355MLF3W	\$133,308	XD	4818	1.00	461	95.5	61.358	380-415/660-690//440-460	1;8;27
430	315	1500//1800	355M/L	E31518XP3YAX355MLF3W	\$108,540	XD	4844	1.00	538	95.8	61.358	380-415/660-690//440-460	1;8;27

Explosion Proof Motors

Please refer to back cover for description of "NOTES"

For detailed specifications, data sheets, drawings and performance curves visit <http://www.weg.net>

HYDRODUTY™ - STAINLESS STEEL

TEFC - Three-Phase - C-Face Foot Mount	A-126
TEFC – Three-Phase C-Face Footless	A-127

PICKERPLUS™ - WHITE EPOXY

TEFC - Three-Phase - C-Face Foot Mount	A-128
TEFC – Three-Phase C-Face Footless	A-128

SHARK™ - STAINLESS STEEL

TEFC - Three-Phase - C-Face Foot Mount	A-129
TEFC – Three-Phase C-Face Footless	A-130

HYDROWASH™ - WHITE EPOXY

TEFC - Three-Phase - C-Face Foot Mount	A-131
TEFC – Three-Phase C-Face Footless	A-131

WASHDOWN DUTY VARIABLE FREQUENCY DRIVE

CFW08 Washdown VFD - NEMA 4X Enclosure	A-134
CFW08 Options and Accessories	A-135
Dynamic Braking Resistors for CFW08 Wash	A-136
CFW08 Technical Data	A-137

Encapsulated Washdown Motors

Bluffton Hydroduty™



The Ultimate Washdown Motor

- This is the ultimate stainless steel waterproof motor. It has been proven to provide 75% more cycles than other brands through extreme environment testing.
- Significantly reduces motor replacement and downtime costs



Performance Specifications

- 1/2 to 5 hp, 860, 1140, 1725 or 3450 RPM
- TENV or TEFC enclosures
- NEMA Frames 56C, 143TC, 145TC and 182TC
- Metric Frame 80-B5 and 100L - B14
- IP66

Bluffton PickerPlus™



Severe Duty Feather Picker Motor

- Withstands Frequent sanitizing with high pressure sprays and caustic fluids.
- Designed to withstand extreme side loading requirements
- Meets NEMA MG1 Part 31 for Inverter Duty operation



Performance Specifications

- 3 hp, 1725 RPM
- TEFC enclosure
- 145TC NEMA or 100L Metric Frames
- Footless or Base Mounted
- IP66

Wash Down Duty

General Purpose Washdown Motors

Shark™



Stainless Steel Washdown Motor

- For use in food processing, pharmaceutical and other applications requiring extreme cleanliness
- Class F epoxy insulation
- F1 mounted



Performance Specifications

- 1-10 hp NEMA Premium®
- 1800 and 3600 RPM
- TEFC enclosures
- Frames 143TC to 215TC
- Base Mounted
- IP55

Bluffton HydroWash™



White Painted Washdown Motor

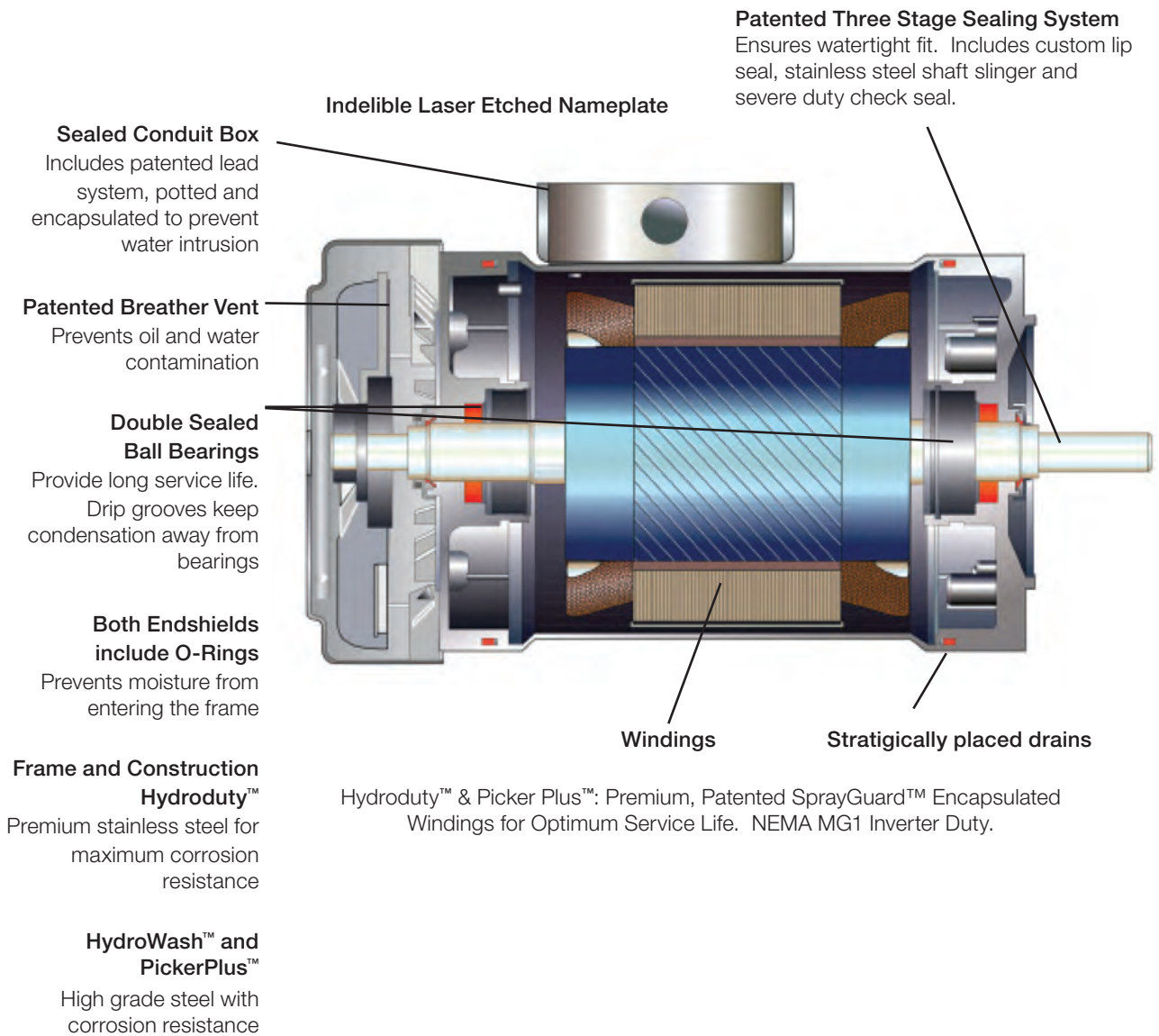
- Designed for long service life in general purpose washdown applications
- It provides extended service life that can reduce your downtime costs for motor replacement



Performance Specifications

- 1/2 to 2 hp, 1725 RPM
- TENV or TEFC enclosures
- NEMA Frames 56C or 145TC
- Footless or Base Mounted
- IP56

Bluffton™ Severe Duty Washdown Motors - HydroDuty™ and PickerPlus™



- **Built Durable** Withstands frequent sanitizing with high pressure sprays and extreme side loading requirements Especially designed for severe duty washdown applications.
- **Economical** Long lasting design that outperforms any other motor on the market. Extended service life that can save you \$10,000 - \$15,000 in downtime costs for motor replacement.
- **Best Warranty** We stand by our motors with the best warranties in the business.



Wash Down Duty



THREE -PHASE

Bluffton Hydroduty™ - Stainless Steel - TEFC - C-Face - Foot Mount

HP	kW	RPM	Frame	Catalog Number	List Price	Mult. Symbol	Approx. Shipping Weight (lbs)	Service Factor	FL Amps @ High	FL. Eff (%)	"C" Dimension (in)	Voltage (V)	Notes
0.50	0.37	1200	56C	1311017133	\$1,694	S1	53	1.15	1.10	80.0	13.990	230/460	21;41
0.75	0.55	1800	56C	1311017121	\$1,544	S1	48	1.15	1.30	82.5	13.240	230/460	21;41
		1200	56C	1311017134	\$1,722	S1	56	1.15	1.50	82.5	14.490	230/460	21;41
		900	56C	1311017159	\$1,794	S1	61	1.00	2.70	70.0	15.420	460	1;21
		3600	56C	1313017156	\$1,601	S1	49	1.15	1.50	78.5	13.240	230/460	21;41
1	0.75	1800	56C	1311017115	\$1,619	S1	57	1.15	1.60	85.5	14.490	230/460	21;41
		1800	143TC	1311017124	\$1,642	S1	57	1.15	1.60	85.5	14.560	230/460	21;41
		1200	56C	1311017138	\$1,875	S1	64	1.15	1.90	82.5	15.490	230/460	21;41
		1200	143TC	1311017130	\$1,886	S1	64	1.15	1.90	82.5	15.560	230/460	21;41
1.5	1.1	3600	56C	1313017154	\$1,658	S1	50	1.15	2.30	84.0	13.250	230/460	21;41
		3600	145TC	1313017155	\$1,658	S1	50	1.15	2.30	84.0	13.310	230/460	21;41
		1800	56C	1311017110	\$1,683	S1	65	1.15	2.20	86.5	15.490	230/460	21;41
		1800	145TC	1311017111	\$1,706	S1	65	1.15	2.20	86.5	15.560	230/460	21;41
2	1.5	3600	56C	1313017152	\$1,958	S1	53	1.15	2.90	85.5	13.990	230/460	21;41
		3600	145TC	1313017153	\$1,976	S1	53	1.15	2.90	85.5	14.060	230/460	21;41
		1800	56C	1311017114	\$1,981	S1	65	1.15	2.80	86.5	15.490	230/460	21;41
		1800	145TC	1311017113	\$2,005	S1	65	1.15	2.80	86.5	15.560	230/460	21;41
3	2.2	1800	182TC	H311007101	\$4,210	S1	128	1.15	4.20	89.5	15.340	230/460	21
5	3.7	1800	184TC	H311007102	\$4,953	S1	138	1.00	6.70	89.5	15.960	230/460	1;21

Wash Down Duty

Bluffton Hydroduty™ - Stainless Steel - TENV - C-Face - Foot Mount

HP	kW	RPM	Frame	Catalog Number	List Price	Mult. Symbol	Approx. Shipping Weight (lbs)	Service Factor	FL Amps @ High	FL. Eff (%)	"C" Dimension (in)	Voltage (V)	Notes
0.50	0.37	3600	56C	1323007112	\$1,416	S1	48	1.15	0.80	84.0	11.400	230/460	17;21;41
		1800	56C	1321007115	\$1,439	S1	47	1.00	0.90	82.5	11.400	230/460	1;17;21;41
0.75	0.55	3600	56C	1323007110	\$1,460	S1	53	1.15	1.10	87.5	12.150	230/460	17;21;41
		1800	56C	1321007113	\$1,483	S1	50	1.00	1.20	84.0	12.150	230/460	1;17;21;41
1	0.75	1800	56C	1321007112	\$1,591	S1	58	1.00	1.60	85.5	13.150	230/460	1;17;21;41
		1800	56C	1321007139	\$1,696	S1	58	1.00	1.60	85.5	13.150	230/460	1;17;21;41
		1800	143TC	1321007119	\$1,615	S1	58	1.00	1.60	85.5	13.220	230/460	1;17;21;41
		1800	143TC	1321007159	\$1,550	S1	58	1.00	1.60	85.5	13.220	230/460	1;17;21;41

Please refer to back cover for description of "NOTES"

For detailed specifications, data sheets, drawings and performance curves visit <http://www.weg.net>



Bluffton Hydroduty™ - Stainless Steel - TEFC - C-Face - Footless

HP	kW	RPM	Frame	Catalog Number	List Price	Mult. Symbol	Approx. Shipping Weight (lbs)	Service Factor	FL Amps @ High	FL. Eff (%)	"C" Dimension (in)	Voltage (V)	Notes
0.50	0.37	1200	56C	1311017136	\$1,666	S1	53	1.15	1.10	80.0	13.990	230/460	20;21;41
0.75	0.55	1800	56C	1311017122	\$1,526	S1	48	1.15	1.30	82.5	13.240	230/460	20;21;41
		1200	56C	1311017137	\$1,704	S1	56	1.15	1.50	82.5	14.490	230/460	20;21;41
1	0.75	3600	56C	1313017161	\$1,581	S1	49	1.15	1.50	78.5	13.240	230/460	20;21;41
		1800	56C	1311017123	\$1,601	S1	57	1.15	1.60	85.5	14.490	230/460	20;21;41
		1800	143TC	1311017125	\$1,626	S1	57	1.15	1.60	85.5	14.560	230/460	20;21;41
		1800	80-B5	1311017152	\$1,879	S1	58	1.15	1.60	85.5	15.340	230/460	20;21;41
		1200	56C	1311017135	\$1,771	S1	64	1.15	1.90	82.5	15.490	230/460	20;21;41
		1200	143TC	1311017139	\$1,782	S1	64	1.15	1.90	82.5	15.560	230/460	20;21;41
1.5	1.1	3600	56C	1313017159	\$1,641	S1	50	1.15	2.30	84.0	13.240	230/460	20;21;41
		3600	145TC	1313017160	\$1,597	S1	50	1.15	2.30	84.0	13.310	230/460	20;21;41
		1800	56C	1311017117	\$1,663	S1	65	1.15	2.20	86.5	15.490	230/460	20;21;41
		1800	145TC	1311017118	\$1,688	S1	65	1.15	2.20	86.5	15.560	230/460	20;21;41
2	1.5	3600	56C	1313017157	\$1,940	S1	53	1.15	2.90	85.5	13.990	230/460	20;21;41
		3600	145TC	1313017158	\$1,958	S1	53	1.15	2.90	85.5	14.060	230/460	20;21;41
		1800	56C	1311017119	\$1,962	S1	65	1.15	2.80	86.5	15.490	230/460	20;21;41
		1800	145TC	1311017120	\$1,985	S1	65	1.15	2.80	86.5	15.560	230/460	20;21;41
3	2.2	1800	182TC	H311007103	\$4,155	S1	128	1.15	4.20	89.5	15.340	230/460	20;21
5	3.7	1800	184TC	H311007104	\$4,924	S1	138	1.00	6.70	89.5	15.960	230/460	1;20;21

Wash Down Duty

Bluffton Hydroduty™ - Stainless Steel - TENV - C-Face - Footless

HP	kW	RPM	Frame	Catalog Number	List Price	Mult. Symbol	Approx. Shipping Weight (lbs)	Service Factor	FL Amps @ High	FL. Eff (%)	"C" Dimension (in)	Voltage (V)	Notes
0.50	0.37	3600	56C	1323007113	\$1,398	S1	48	1.15	0.80	84.0	11.400	230/460	17;20;21;41
		1800	56C	1321007121	\$1,421	S1	47	1.00	0.90	82.5	11.400	230/460	1;17;20;21;41
0.75	0.55	3600	56C	1323007114	\$1,443	S1	53	1.15	1.10	87.5	12.150	230/460	17;20;21;41
		1800	56C	1321007117	\$1,465	S1	52	1.00	1.20	84.0	12.150	230/460	1;17;20;21;41
1	0.75	1800	143TC	1321007125	\$1,572	S1	60	1.00	1.60	85.5	13.150	230/460	1;17;20;21;41
		1800	56C	1321007140	\$1,676	S1	58	1.00	1.60	85.5	13.150	230/460	1;17;20;21;41
		1800	143TC	1321007124	\$1,595	S1	60	1.00	1.60	85.5	13.220	230/460	1;17;20;21;41
		1800	100-B14	1321007158	\$1,891	S1	52	1.00	1.60	85.5	13.440	230/460	1;17;20;21

Please refer to back cover for description of "NOTES"

For detailed specifications, data sheets, drawings and performance curves visit [http:// www.weg.net](http://www.weg.net)

Data subject to change without notice.

Wash Down Duty



THREE -PHASE

Bluffton PickerPlus™ - White Epoxy - TEFC - C-Face - Foot Mount

HP	kW	RPM	Frame	Catalog Number	List Price	Mult. Symbol	Approx. Shipping Weight (lbs)	Service Factor	FL Amps @ High	FL Eff (%)	"C" Dimension (in)	Voltage (V)	Notes
3	2.2	1800	145TC	1311017192	\$1,736	S1	68	1.00	4.40	81.5	15.560	230/460	1;9
3	2.2	1800	100L-B14	1311017196	\$1,852	S1	68	1.00	4.40	81.5	15.780	230/460	1;9



Bluffton PickerPlus™ - White Epoxy - TEFC - C-Face - Footless

HP	kW	RPM	Frame	Catalog Number	List Price	Mult. Symbol	Approx. Shipping Weight (lbs)	Service Factor	FL Amps @ High	FL Eff (%)	"C" Dimension (in)	Voltage (V)	Notes
3	2.2	1800	100L-B14	1311017195	\$1,803	S1	66	1.00	4.40	81.5	15.780	230/460	1;9;20
3	2.2	1800	100L-B5	1311017191	\$1,820	S1	67	1.00	4.40	81.5	16.180	230/460	1;9;20

Wash Down Duty

Please refer to back cover for description of "NOTES"

For detailed specifications, data sheets, drawings and performance curves visit [http:// www.weg.net](http://www.weg.net)



Wash Down Duty

THREE -PHASE

Shark™ - Stainless Steel - TEFC - C-Face - Foot Mount

HP	kW	RPM	Frame	Catalog Number	List Price	Mult. Symbol	Approx. Shipping Weight (lbs)	Service Factor	FL Amps @ High	FL. Eff (%)	"C" Dimension (in)	Voltage (V)	Notes
1	0.75	3600	56HC	00136ET3ESS56C	\$701	S1	38	1.15	1.45	77.0	14.000	230/460	21
		1800	56HC	00118ET3ESS56C	\$723	S1	38	1.15	1.46	85.5	14.000	230/460	21
		1800	143TC	00118ET3ESS143TC	\$857	S1	38	1.15	1.46	85.5	13.400	230/460	21
1.5	1.1	3600	56HC	00156ET3ESS56C	\$825	S1	41	1.15	1.99	84.0	14.000	230/460	21
		1800	56HC	00158ET3ESS56C	\$846	S1	44	1.15	2.06	86.5	14.000	230/460	21
		1800	145TC	00158ET3ESS145TC	\$872	S1	43	1.15	2.06	86.5	14.200	230/460	21
2	1.5	3600	56HC	00236ET3ESS56C	\$989	S1	47	1.15	2.55	85.5	14.000	230/460	21
		3600	145TC	00236ET3ESS145TC	\$1,113	S1	45	1.15	2.55	85.5	14.200	230/460	21
		1800	56HC	00218ET3ESS56C	\$1,001	S1	51	1.15	2.71	86.5	14.000	230/460	21
3	2.2	1800	145TC	00218ET3ESS145TC	\$1,219	S1	52	1.15	2.78	86.5	13.600	230/460	21
		3600	182TC	00336ET3ESS182TC	\$1,564	S1	100	1.15	3.73	86.5	17.300	230/460	21
		1800	182TC	00318ET3ESS182TC	\$1,453	S1	113	1.15	3.92	89.5	17.100	230/460	21
5	3.7	3600	184TC	00536ET3ESS184TC	\$1,779	S1	111	1.15	6.01	88.5	17.900	230/460	21
		1800	184TC	00518ET3ESS184TC	\$1,607	S1	120	1.15	6.54	89.5	17.900	230/460	21
7.5	5.5	3600	213TC	00736ET3ESS213TC	\$2,208	S1	158	1.15	8.82	89.5	20.500	230/460	21
		1800	213TC	00718ET3ESS213TC	\$2,201	S1	173	1.15	9.12	91.7	20.500	230/460	21
10	7.5	3600	215TC	01036ET3ESS215TC	\$2,713	S1	177	1.15	11.5	90.2	22.000	230/460	21
		1800	215TC	01018ET3ESS215TC	\$2,452	S1	208	1.15	12.2	91.7	22.000	230/460	21

Wash Down Duty

Shark™ - Stainless Steel - TENV - C-Face - Foot Mount

HP	kW	RPM	Frame	Catalog Number	List Price	Mult. Symbol	Approx. Shipping Weight (lbs)	Service Factor	FL Amps @ High	FL. Eff (%)	"C" Dimension (in)	Voltage (V)	Notes
0.33	0.25	1800	56C	.3318EP3ESS56C	\$550	S1	29	1.15	0.53	79.8	11.250	230/460	17;21
0.50	0.37	3600	56C	.5036EP3ESS56C	\$569	S1	30	1.15	0.65	78.3	11.250	230/460	17;21
		1800	56C	.5018EP3ESS56C	\$575	S1	33	1.15	0.73	81.2	11.250	230/460	17;21
		1200	56C	.5012EP3ESS56C	\$682	S1	34	1.15	0.86	79.1	11.670	230/460	17;21
0.75	0.55	3600	56C	.7536EP3ESS56C	\$590	S1	30	1.15	1.02	81.9	11.250	230/460	17;21
		1800	56C	.7518EP3ESS56C	\$616	S1	34	1.15	1.06	81.3	11.250	230/460	17;21
		1200	56HC	.7512EP3ESS56C	\$723	S1	41	1.15	1.22	82.9	11.670	230/460	17;21
1	0.75	3600	56HC	00136NT3ESS56C	\$713	S1	39	1.15	1.45	77.0	11.940	230/460	17;21
		1800	56HC	00118NT3ESS56C	\$735	S1	38	1.15	1.46	85.5	11.940	230/460	17;21
		1800	143TC	00118NT3ESS143TC	\$889	S1	38	1.15	1.46	85.5	11.210	230/460	17;21

Please refer to back cover for description of "NOTES"

For detailed specifications, data sheets, drawings and performance curves visit [http:// www.weg.net](http://www.weg.net)

Data subject to change without notice.

Can't find what you are looking for? Call 1-800-ASK-4WEG (275-4934) **A-129**

Wash Down Duty



THREE -PHASE

Shark™ - Stainless Steel - TEFC - C-Face - Footless

HP	kW	RPM	Frame	Catalog Number	List Price	Mult. Symbol	Approx. Shipping Weight (lbs)	Service Factor	FL Amps @ High	FL. Eff (%)	"C" Dimension (in)	Voltage (V)	Notes
1	0.75	3600	56HC	00136ET3ESS56CFL	\$701	S1	37	1.15	1.45	77.0	14.000	230/460	20;21
		1800	56HC	00118ET3ESS56CFL	\$723	S1	37	1.15	1.46	85.5	14.000	230/460	20;21
		1800	143TC	00118ET3ESS143TCFL	\$857	S1	38	1.15	1.46	85.5	13.400	230/460	20;21
1.5	1.1	3600	56HC	00156ET3ESS56CFL	\$825	S1	40	1.15	1.99	84.0	14.000	230/460	20;21
		3600	143TC	00156ET3ESS143TCFL	\$858	S1	41	1.15	1.99	84.0	13.400	230/460	20;21
		1800	56HC	00158ET3ESS56CFL	\$846	S1	43	1.15	2.06	86.5	14.000	230/460	20;21
		1800	145TC	00158ET3ESS145TCFL	\$872	S1	43	1.15	2.06	86.5	14.200	230/460	20;21
2	1.5	3600	56HC	00236ET3ESS56CFL	\$989	S1	45	1.15	2.55	85.5	14.000	230/460	20;21
		3600	145TC	00236ET3ESS145TCFL	\$1,113	S1	45	1.15	2.55	85.5	14.200	230/460	20;21
		1800	56HC	00218ET3ESS56CFL	\$1,001	S1	49	1.15	2.71	86.5	14.000	230/460	20;21
		1800	145TC	00218ET3ESS145TCFL	\$1,219	S1	52	1.15	2.78	86.5	13.600	230/460	20;21
3	2.2	3600	145TC	00336ET3ESS145TCFL	\$1,564	S1	59	1.15	3.78	86.5	16.200	230/460	20;21
		3600	182TC	00336ET3ESS182TCFL	\$1,564	S1	98	1.15	3.73	86.5	17.300	230/460	20;21
		1800	182TC	00318ET3ESS182TCFL	\$1,453	S1	111	1.15	3.92	89.5	17.100	230/460	20;21
5	3.7	3600	184TC	00536ET3ESS184TCFL	\$1,779	S1	109	1.15	6.01	88.5	17.900	230/460	20;21
		1800	184TC	00518ET3ESS184TCFL	\$1,607	S1	118	1.15	6.54	89.5	17.900	230/460	20;21
7.5	5.5	3600	213TC	00736ET3ESS213TCFL	\$2,208	S1	155	1.15	8.82	89.5	20.500	230/460	20;21
		1800	213TC	00718ET3ESS213TCFL	\$2,201	S1	170	1.15	9.12	91.7	20.500	230/460	20;21
10	7.5	3600	215TC	01036ET3ESS215TCFL	\$2,713	S1	174	1.15	11.5	90.2	22.000	230/460	20;21
		1800	215TC	01018ET3ESS215TCFL	\$2,452	S1	205	1.15	12.2	91.7	22.000	230/460	20;21

Wash Down Duty

Shark™ - Stainless Steel - TENV - C-Face - Footless

HP	kW	RPM	Frame	Catalog Number	List Price	Mult. Symbol	Approx. Shipping Weight (lbs)	Service Factor	FL Amps @ High	FL. Eff (%)	"C" Dimension (in)	Voltage (V)	Notes
0.33	0.25	1800	56C	.3318EP3ESS56CFL	\$550	S1	28	1.15	0.53	79.8	11.250	230/460	17;20;21
0.50	0.37	3600	56C	.5036EP3ESS56CFL	\$569	S1	29	1.15	0.65	78.3	11.250	230/460	17;20;21
		1800	56C	.5018EP3ESS56CFL	\$575	S1	32	1.15	0.73	81.2	11.250	230/460	17;20;21
		1200	56C	.5012EP3ESS56CFL	\$682	S1	33	1.15	0.86	79.1	11.670	230/460	17;20;21
0.75	0.55	3600	56C	.7536EP3ESS56CFL	\$590	S1	29	1.15	1.02	81.9	11.250	230/460	17;20;21
		1800	56C	.7518EP3ESS56CFL	\$616	S1	33	1.15	1.06	81.3	11.250	230/460	17;20;21
		1200	56C	.7512EP3ESS56CFL	\$723	S1	40	1.15	1.22	82.9	11.670	230/460	17;20;21
1	0.75	3600	56HC	00136NT3ESS56CFL	\$713	S1	38	1.15	1.45	77.0	11.940	230/460	17;20;21
		1800	56HC	00118NT3ESS56CFL	\$735	S1	38	1.15	1.46	85.5	11.940	230/460	17;20;21
		1800	143TC	00118NT3ESS143TCFL	\$889	S1	38	1.15	1.46	85.5	11.210	230/460	17;20;21

Please refer to back cover for description of "NOTES"

For detailed specifications, data sheets, drawings and performance curves visit <http://www.weg.net>



Bluffton HydroWash™ - White Epoxy - TEFC - C-Face - Foot Mount

HP	kW	RPM	Frame	Catalog Number	List Price	Mult. Symbol	Approx. Shipping Weight (lbs)	Service Factor	FL Amps @ High	FL Eff (%)	"C" Dimension (in)	Voltage (V)	Notes
1.5	1.1	1800	56C	1311017163	\$683	S1	44	1.15	2.20	86.5	13.460	230/460	9;20
		1800	145TC	1311017155	\$683	S1	44	1.15	2.20	86.5	13.570	230/460	9
2	1.5	1800	56C	1311017161	\$728	S1	51	1.15	2.80	86.5	14.550	230/460	9
		1800	145TC	1311017154	\$728	S1	51	1.15	2.80	86.5	14.550	230/460	9

Bluffton HydroWash™ - White Epoxy - TENV - C-Face - Foot Mount

HP	kW	RPM	Frame	Catalog Number	List Price	Mult. Symbol	Approx. Shipping Weight (lbs)	Service Factor	FL Amps @ High	FL Eff (%)	"C" Dimension (in)	Voltage (V)	Notes
0.50	0.37	1800	56C	1321007145	\$516	S1	29	1.15	0.80	80.0	10.230	230/460	9;17
0.75	0.55	1800	56C	1321007146	\$566	S1	35	1.15	1.20	82.5	10.990	230/460	9;17
1	0.75	1800	56C	1321007143	\$605	S1	42	1.15	1.50	85.5	11.980	230/460	9;17
		1800	145TC	1321007148	\$642	S1	42	1.15	1.50	85.5	11.720	230/460	9;17



Bluffton HydroWash™ - White Epoxy - TEFC - C-Face - Footless

HP	kW	RPM	Frame	Catalog Number	List Price	Mult. Symbol	Approx. Shipping Weight (lbs)	Service Factor	FL Amps @ High	FL Eff (%)	"C" Dimension (in)	Voltage (V)	Notes
1.5	1.1	1800	56C	1311017164	\$668	S1	44	1.15	2.20	86.5	13.460	230/460	9
		1800	145TC	1311017156	\$668	S1	44	1.15	2.20	86.5	13.570	230/460	9;20
2	1.5	1800	56C	1311017162	\$672	S1	51	1.15	2.80	86.5	14.550	230/460	9;20
		1800	145TC	1311017157	\$672	S1	51	1.15	2.80	86.5	14.550	230/460	9;20

Bluffton HydroWash™ - White Epoxy - TENV - C-Face - Footless

HP	kW	RPM	Frame	Catalog Number	List Price	Mult. Symbol	Approx. Shipping Weight (lbs)	Service Factor	FL Amps @ High	FL Eff (%)	"C" Dimension (in)	Voltage (V)	Notes
0.50	0.37	1800	56C	1321007144	\$510	S1	29	1.15	0.80	80.0	10.230	230/460	9;17;20
0.75	0.55	1800	56C	1321007147	\$553	S1	35	1.15	1.20	82.5	10.990	230/460	9;17;20
1	0.75	1800	56C	1321007142	\$599	S1	42	1.15	1.50	85.5	11.980	230/460	9;17;20
		1800	145TC	1321007149	\$628	S1	42	1.15	1.50	85.5	11.720	230/460	9;17;20

Wash Down Duty

Please refer to back cover for description of "NOTES"

For detailed specifications, data sheets, drawings and performance curves visit [http:// www.weg.net](http://www.weg.net)

Data subject to change without notice.

Wash Down Duty

CFW08 WASH

The WEG CFW08 WASH Series is a redesign of our successful uline VFDs. Engineering improvements have produced one of the most compact and full featured microdrives in the marketplace.

Outstanding features and options in a NEMA 4 enclosure allow the CFW08 WASH to be successfully used in a large variety of applications.



Standard Features

- Same programming as other WEG VFD's
- V/Hz and Sensorless Vector Control
- NEMA 4X(IP56) Enclosure
- Single and Three-phase input voltage
- 200-240V, 380-480V or 500-600 input voltage
- 150% current overload capacity
- 16 bit DSP controlled PWM output
- 2.5 / 5 / 10 / 15 kHz adjustable swiching frequency
- Four isolated programmable digital inputs
- Two programmable relay outputs (1NO, 1NC, 240vac 0.5A)
- Two isolated programmable analog inputs (0-10V, 0/4-20mA)
- Protective features: Over current, motor overload, drive over temperature, output phase-to-phase and phase-to-ground short circuit, DC bus over and under voltage and external fault
- Control features: Linear and "S" ramp acceleration and deceleration, local/remote control, DC braking, torque boost, motor slip compensation, electronic pot, preset speeds, adjustable V/Hz profile, maximum and minimum adjustable frequency limits, two skip frequencies, adjustable output current limit, JOG, ride-thru, flying start and PID regulator.
- Display readings: Motor speed, frequency, voltage, current, last fault, heatsink temperature and drive status
- Ambient: 32°F (0°C) to 104°F (40°C), 3300ft (1000m) altitude, 90% humidity, non-condensing
- SuperDrive (G1) compatible

Applications NEMA 4X

- Pumps
- Fans
- Blowers
- Conveyors
- Rollout tables
- Agitators
- Mixers
- Any washdown applications

Optional Features

- Dynamic Braking Resistors available
 - Remote Keypad with Copy Function
 - RS-232 or RS-485 Serial Interface
 - Modbus Communication*
 - DIN rail mounting through 2HP
- *Requires optional RS-232 or RS-485 Interface

CFW08 WASH Catalog Number Sequence

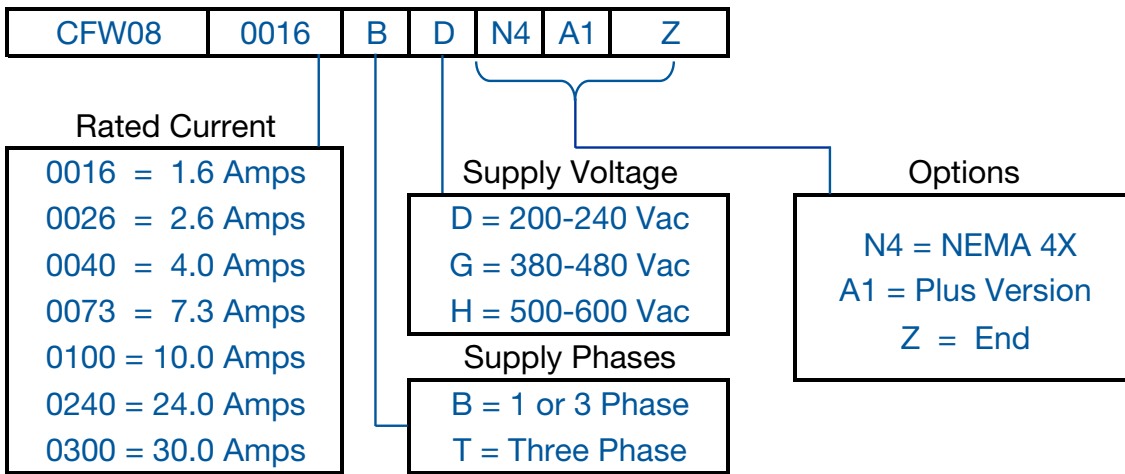


Table intended as reference only and not to create part numbers.

Wash Down Duty



THREE -PHASE Wash Down - NEMA 4X Enclosure

Motor Voltage	Motor HP ¹	Drive Amps ²	Catalog Number	Braking Transistor	Frame Size	Dimensions (in.) HxWxD	Approx. Weight (lbs.)	List Price	Multiplier
230 Vac	Input Power Supply: Single or Three-Phase 200-240 Vac								
	2	7.3	CFW080073BDN4A1Z	Yes	A	10.4 x 6.5 x 8.5	5	\$929	V1
	3	10.0	CFW080100BDN4A1Z	Yes	A	10.4 x 6.5 x 8.5	5	\$1,039	V1
	Input Power Supply: Three-Phase 230 Vac								
	5	16	CFW080160TDN4A1Z	Yes	A	10.4 x 6.5 x 8.5	5	\$1,228	V1
	7 1/2	22	CFW080220TDN4A1Z	Yes	B	13.4 x 8.5 x 8.5	18	\$1,769	V1
10	28	CFW080280TDN4A1Z	Yes	B	13.4 x 8.5 x 8.5	18	\$2,266	V1	
460 Vac	Input Power Supply: Three-Phase 380-480 Vac								
	1	2.7	CFW080027TGN4A1Z	Yes	A	10.4 x 6.5 x 8.5	5	\$894	V1
	2	4.3	CFW080043TGN4A1Z	Yes	A	10.4 x 6.5 x 8.5	5	\$1,118	V1
	3	6.5	CFW080065TGN4A1Z	Yes	A	10.4 x 6.5 x 8.5	5	\$1,331	V1
	5	10	CFW080100TGN4A1Z	Yes	A	10.4 x 6.5 x 8.5	5	\$1,516	V1
	7 1/2	13	CFW080130TGN4A1Z	Yes	B	13.4 x 8.5 x 8.5	18	\$1,856	V1
	10	16	CFW080160TGN4A1Z	Yes	B	13.4 x 8.5 x 8.5	18	\$2,144	V1
	15	24	CFW080240TGN4A1Z	Yes	B	13.4 x 8.5 x 8.5	18	\$2,876	V1
20	30	CFW080300TGN4A1Z	Yes	B	13.4 x 8.5 x 8.5	18	\$3,474	V1	
575 Vac ³	Input Power Supply: Three-Phase 500-600 Vac								
	1	1.7	CFW080017THN4A1Z	Yes	B	13.4 x 8.5 x 8.5	18	\$1,259	V1
	2	3.0	CFW080030THN4A1Z	Yes	B	13.4 x 8.5 x 8.5	18	\$1,421	V1
	3	4.3	CFW080043THN4A1Z	Yes	B	13.4 x 8.5 x 8.5	18	\$1,485	V1
	5	7.0	CFW080070THN4A1Z	Yes	B	13.4 x 8.5 x 8.5	18	\$1,767	V1
	7 1/2	10	CFW080100THN4A1Z	Yes	B	13.4 x 8.5 x 8.5	18	\$2,077	V1
10	12	CFW080120THN4A1Z	Yes	B	13.4 x 8.5 x 8.5	18	\$2,388	V1	

Wash Down Duty

Notes:

- 1) "HP" rating based on "average FLA values". Use as a guide only.
 - 2) Motor FLA may vary with speed and manufacturer. ALWAYS compare motor FLA to Nominal AMPS of drive.
 - 3) All 575V drives are non-stocked items. Consult WEG for availability.
- For other technical data please refer to WEG product manual.

Please refer to back cover for description of "NOTES"

 For detailed specifications, data sheets, drawings and performance curves visit <http://www.weg.net>

Options and Accessories

Type	Catalog Number	Description	List Price	Multiplier
Keypad	HMI-CFW08-RS	NEMA12 Remote Keypad (requires MIS-CFW08-RS & cable)	\$135	V1
	MIS-CFW08-RS	Remote Keypad Interface	\$64	V1
	TCL-CFW08	Keypad Cover	\$13	V1
	CAB-RS-1	3.3 ft (1m) Remote Keypad Cable	\$23	V1
	CAB-RS-2	6.6 ft (2m) Remote Keypad Cable	\$31	V1
	CAB-RS-3	9.9 ft (3m) Remote Keypad Cable	\$41	V1
	CAB-RS-5	16 ft (3m) Remote Keypad Cable	\$51	V1
	CAB-RS-7.5	25 ft (7.5m) Remote Keypad Cable	\$62	V1
	CAB-RS-10	33 ft (10m) Remote Keypad Cable	\$72	V1
I/O	KAC-120-CFW08	120VAC Digital Input Adaptor Board (4 inputs)	\$145	V1
Communication	KCS-CFW08	RS-232 Serial Comm. Module (mounted in place of keypad)	\$97	V1
	MIW-02	RS-232/485 Converter (mounted externally)	\$221	V1
	KSD-CFW08	PC Communication Kit	\$124	V1
	KRS-485-CFW08	Interface for RS-485 Communication	\$186	V1
DC Power Supply	KDC-24V-CFW08	24VDC power supply with standard CFW08 HMI integrated	\$177	V1
	KDC-24VR-CFW08	24VDC power supply with interface for remote keypad	\$211	V1
Remote Oper. Station	CSW-SP3PBS	Remote Operator Station-includes 22mm Start PB, Stop PB, 1-NC and 1-NO contact block, 5k-ohm Potentiometer and legends (replaces CFW-REM)	\$460	Z5
	CSW30-SP3PBS	Remote Operator Station-includes 30mm Start PB, Stop PB, 1-NC and 1-NO contact block, 5k-ohm Potentiometer and legends (replaces CFW-REM)	\$535	Z5

Wash Down Duty

Please refer to back cover for description of "NOTES"

For detailed specifications, data sheets, drawings and performance curves visit [http:// www.weg.net](http://www.weg.net)

Data subject to change without notice.

Wash Down Duty



THREE -PHASE

NON-STOCK (call for lead time)

10% Duty Cycle

Motor Voltage	Motor HP ¹	CFW08 Catalog Number	WEG DB Resistor Catalog Number ²	Ohms	Watts	List Price	Multiplier
230 Vac	Input Power Supply: Single or Three-Phase 200-240 Vac						
	2	CFW080073BDN4A1Z	CFDB39-224	39	224	\$183	V1
	3	CFW080100BDN4A1Z	CFDB27-298	27	298	\$183	V1
	5	CFW080160TDN4A1Z	CFDB22-373	22	373	\$183	V1
	7 1/2	CFW080220TDN4A1Z	CFDB15-560	15	560	\$319	V1
	10	CFW080280TDN4A1Z	CFDB10-746	10	746	\$319	V1
460 Vac	Input Power Supply: Three-Phase 380-480 Vac						
	1	CFW080027TGN1A1Z	CFDB120-298	120	298	\$183	V1
	2	CFW080043TGN1A1Z	CFDB120-298	120	298	\$183	V1
	3	CFW080065TGN1A1Z	CFDB100-224	100	224	\$183	V1
	5	CFW080100TGN1A1Z	CFDB47-746	47	746	\$319	V1
	7 1/2	CFW080130TGN1A1Z	CFDB33-746	33	746	\$319	V1
	10	CFW080160TGN1A1Z	CFDB33-746	33	746	\$319	V1
	15	CFW080240TGN1A1Z	CFDB22-1119	22	1119	\$481	V1
	20	CFW080300TGN1A1Z	CFDB18-1492	18	1492	\$638	V1

Wash Down Duty

Notes:

- 1) "HP" rating based on "average FLA values". Use as a guide only.
- 2) Dynamic Braking Resistors are non-stock items. Consult WEG for availability

Please refer to back cover for description of "NOTES"

For detailed specifications, data sheets, drawings and performance curves visit [http:// www.weg.net](http://www.weg.net)

Technical Data

Power Supply	Voltage	Single Phase or Three Phase	200-240V (+10%, -15%)
		Three phase	380-480V (+10%, -15%)
	Frequency	50 / 60Hz +/- 2Hz	
	Displacement Power Factor (Cos)	Greater than 0.98	
Enclosure	Degree of Protection	NEMA 4	
Control	Control Modes	Volts per Hertz (Scalar)	
		Sensorless Voltage Vector VVV	
	Power Output	Sinusoidal PWM (Space Vector Modulation)	
		IGBT Transistors	
	Switching Frequency	2.5, 5, 10 or 15kHz	
	Frequency Range	0-300 Hz	
Overload Capacity	150% for 60 seconds, repeatable every 10 min.		
Control Inputs	4 programmable isolated digital inputs, NPN or 24Vdc logic (PNP)		
	2 programmable differential analog inputs; programmable for current or voltage Can be set as DI or as PTC input (0-10V, 4-20mA or 0-20mA)		
Control Outputs	2 programmable relay outputs: One NO (Form A) and one NC (Form B): 240 V / 0.5 A		
	1 Output with independent NO and NC at a same common		
	1 Analog Output; programmable for voltage (0-10V) or current (0-20 mA or 4-20 mA) and with 0.25% linearity error		
Communication	Serial	Optional RS-232 serial interface, RS-485 with external RS-232/485 converter	
	Field Bus	Modbus RTU with external RS-232/485 converter	
Safety	Protections	Motor over current	DC link over voltage
		Motor overload	DC link under voltage
		Output phase-to-phase short circuit	Drive over temperature
		Output phase-to-ground short circuit	External fault
		Programming error	
Ambient	Temperature	32° - 104°F (40°C), up to 122°F (50°C) with 2% / 1.8°F (1°C) output current derating	
	Humidity	5-90% Non Condensing	
	Altitude	0-3300 ft (1000m), up to 13,200 ft (4000m) with 1% output current derating per 330ft (100m) above 3300 ft (1000m).	
Regulatory Conformance	EMC Directive 89 / 336 / EEC	Electromagnetic compatibility – Industrial Environment EMC Emission and Immunity with optional filter	
	ENC61800-3		
	LVD 73/23/EEC	Low Voltage Directive	
	UL 508 C	Power Conversion Equipment	
Special Functions	Linear and “S” ramp accel and decel, local/remote control, FWD/REV selection, DC braking, manual and auto torque boost, motor slip compensation, electronic pot, two skip frequencies, maximum and minimum adjustable frequency limits, adjustable output current, PID Controller		
Keypad	4 digit display, 2 indicator LEDs and 8 keys		
	Readouts for: output frequency (Hz), output current (A), output voltage (V), motor torque (%) in vector mode, DC bus voltage (V), value proportional to frequency (Ex.: RPM), heatsink temperature, fault and status messages		
Mounting	Surface mounting with screws.		

Please refer to back cover for description of “NOTES”

 For detailed specifications, data sheets, drawings and performance curves visit [http:// www.weg.net](http://www.weg.net)

Data subject to change without notice.

SINGLE-PHASE

TEFC – Foot Mount	A-141
TEFC – C-Face – Foot Mount	A-142
TEFC – C-Face – Footless	A-142
TEFC – Foot Mount – Thermally Protected	A-143
ODP – Foot Mount	A-144
ODP – Resilient Base	A-145
ODP – C-Face – Foot Mount	A-146
ODP – C-Face – Footless	A-147
ODP – Foot Mount – Thermally Protected	A-147

THREE-PHASE

TEFC – Foot Mount	A-148
TEFC – C-Face – Foot Mount	A-149
TEFC – C-Face – Footless	A-150
ODP – Foot Mount	A-151
ODP – C-Face – Foot Mount	A-152
ODP – C-Face – Footless	A-153
ODP – Resilient Base	A-153

DC MOTORS

NEMA 56 PMDC Motors	A-154
NEMA 145TC PMDC Motors	A-154

EXPLOSION PROOF - SINGLE-PHASE

Foot Mount	A-156
C-Face – Foot Mount	A-156

EXPLOSION PROOF - THREE-PHASE

Foot Mount	A-157
C-Face – Foot Mount	A-157

Fractional Motors

Single-Phase TEFC & ODP

High Starting Torque makes these motors ideal for a wide range of applications.

Standard Features:

- Ball bearings
- Class F insulation



ODP



TEFC

Features that make a difference:

- High Starting Torque
- TEFC motors are rated IP55 (gasketed conduit box and capacitor cover)



Resilient Base

ADDITIONAL TECHNICAL DATA

ELECTRICAL DATA: TEFC - STANDARD EFF. - B-7
ODP - STANDARD EFF. - B-9
ODP - PREMIUM EFF. - B-11

MECHANICAL DATA: TEFC - STANDARD EFF. - B-56
ODP - STANDARD EFF. - B-60
ODP - PREMIUM EFF. - B-64



Fractional Motors

Three-Phase TEFC & ODP

High Starting Torque makes these motors ideal for a wide range of applications.

Standard Features:

- 50/60 Hz Rated
- Ball bearings
- Class F insulation



ODP



TEFC



Resilient Base

Features that make a difference:

- Motors are suitable for VFD operation (TEFC)
- 50/60 Hz Rated
- Service Factor 1.15 or better
- TEFC rated IP55 (gasketed conduit box and capacitor cover)

Fractional Motors

Inverter Rated

	Max Ambient temp.	Efficiency	Frame	Output	Poles	CT Constant Torque	VT Variable torque
ODP	Up to 40°C	None (Standard Eff)	48 - 56	<1Hp	-	4:1	1000:1
				≥ 1Hp	-	2:1	
		Premium Efficiency	48 - 56	<1Hp	2	5:1	
				≥ 1Hp	2	3:1	
TEFC	Up to 40°C	None (Standard Eff)	48 - 56	-	4 and 6	5:1	1000:1
				<1Hp	-	10:1	
		Premium Efficiency	48 - 56	-	2	10:1	
				-	4, 6 and 8	4:1	

ADDITIONAL TECHNICAL DATA

ELECTRICAL DATA: TEFC - STANDARD EFF. - B-23
 TEFC - PREMIUM EFF. - B-22
 ODP - STANDARD EFF. - B-25
 ODP - PREMIUM EFF. - B-24

MECHANICAL DATA: TEFC - STANDARD EFF. - B-80
 TEFC - PREMIUM EFF. - B-78
 ODP - STANDARD EFF. - B-84
 ODP - PREMIUM EFF. - B-82





TEFC - Foot Mount

HP	kW	RPM	Frame	Catalog Number	List Price	Mult. Symbol	Approx. Shipping Weight (lbs)	Service Factor	FL Amps @ High	FL. Eff (%)	"C" Dimension (in)	Voltage (V)	Notes
0.25	0.18	3600	W56	.2536ES1BW56-S	\$257	F1	20	1.15	2.10	50.0	10.713	115/208-230	9
		1800	W56	.2518ES1BW56-S	\$267	F1	20	1.15	2.30	57.0	11.106	115/208-230	9
0.33	0.25	3600	W56	.3336ES1BW56-S	\$267	F1	23	1.15	2.60	54.0	11.106	115/208-230	9
		1800	W56	.3318ES1BW56-S	\$283	F1	22	1.15	3.00	61.0	11.500	115/208-230	9
		1800	W56	.3318ES1RFDW56-S	\$284	R1	22	1.15	3.00	61.0	11.500	115/230	4;9
0.5	0.37	3600	W56	.5036ES1BW56-S	\$284	F1	24	1.15	3.50	60.0	11.500	115/208-230	9
		3600	W56	.5036ES1BOLW56-S	\$316	F1	24	1.15	3.50	60.0	11.500	115/208-230	4;9
		1800	W56	.5018ES1RFDW56-S	\$308	R1	25	1.15	4.00	64.0	11.894	115/230	4;9
		1800	W56	.5018ES1BW56-S	\$312	F1	24	1.15	4.00	64.0	11.894	115/208-230	9
		1200	W56	.5012ES1B56-S	\$512	F1	38	1.15	3.20	71.0	13.508	115/208-230	9
0.75	0.55	3600	56	.7536ES1BOL56-S	\$329	F1	31	1.15	4.00	66.0	12.721	115/208-230	4;9
		3600	56	.7536ES1B56-S	\$297	F1	31	1.15	4.00	66.0	12.721	115/208-230	9
		1800	56	.7518ES1RFD56-S	\$357	R1	34	1.15	5.30	68.5	13.114	115/230	4;9
		1800	56	.7518ES1B56-S	\$348	F1	33	1.15	5.30	68.5	13.114	115/208-230	9
		1200	56H	.7512ES1B56-S	\$648	F1	44	1.15	4.70	70.0	14.295	115/208-230	9
1	0.75	3600	56	00136ES1BOL56-S	\$408	F1	35	1.15	5.10	70.0	13.114	115/208-230	4;9
		3600	56	00136ES1B56-S	\$376	F1	34	1.15	5.10	70.0	13.114	115/208-230	9
		1800	56	00118ES1RFD56-S	\$394	R1	40	1.15	6.80	71.0	13.901	115/230	4;9
		1800	56	00118ES1B56-S	\$401	F1	39	1.15	6.80	71.0	13.902	115/208-230	9
1.5	1.1	3600	56	00156ES1B56-S	\$432	F1	39	1.15	6.60	75.0	13.902	115/208-230	9
		3600	56	00156ES1BOL56-S	\$463	F1	39	1.15	6.60	75.0	13.902	115/208-230	4;9
		1800	56H	00158ES1RFD56H-S	\$502	R1	51	1.15	7.50	77.0	15.083	115/230	4;9
		1800	56H	00158ES1B56-S	\$456	F1	40	1.15	7.50	77.0	15.083	115/208-230	9
2	1.5	3600	56H	00236ES1BOL56-S	\$592	F1	44	1.15	8.70	77.0	14.295	115/208-230	4;9
		3600	56H	00236ES1B56-S	\$561	F1	44	1.15	8.70	77.0	14.295	115/208-230	9
		1800	56H	00218ES1RFD56H-S	\$529	R1	56	1.15	10.0	78.5	15.870	115/230	4;9

Please refer to back cover for description of "NOTES"

For detailed specifications, data sheets, drawings and performance curves visit <http://www.weg.net>

Data subject to change without notice.

Can't find what you are looking for? Call 1-800-ASK-4WEG (275-4934)

A-141

Fractional Motors



SINGLE -PHASE



TEFC - C-Face - Foot Mount

HP	kW	RPM	Frame	Catalog Number	List Price	Mult. Symbol	Approx. Shipping Weight (lbs)	Service Factor	FL Amps @ High	FL Eff (%)	"C" Dimension (in)	Voltage (V)	Notes
0.25	0.18	3600	W56C	.2536ES1BW56C-S	\$280	F1	20	1.15	2.10	50.0	10.713	115/208-230	9
		1800	W56C	.2518ES1BW56C-S	\$288	F1	20	1.15	2.30	57.0	11.106	115/208-230	9
0.33	0.25	3600	W56C	.3336ES1BW56C-S	\$288	F1	22	1.15	2.60	54.0	11.106	115/208-230	9
		1800	W56C	.3318ES1BW56C-S	\$304	F1	22	1.15	3.00	61.0	11.500	115/208-230	9
0.5	0.37	3600	W56C	.5036ES1BW56C-S	\$313	F1	24	1.15	3.50	60.0	11.500	115/208-230	9
		1800	W56C	.5018ES1BW56C-S	\$333	F1	26	1.15	4.00	64.0	11.894	115/208-230	9
		1800	W56C	.5018ES1BOW56C-S	\$348	F1	24	1.15	4.00	64.0	11.894	115/208-230	3;9
		1200	W56C	.5012ES1B56C-S	\$535	F1	39	1.15	3.20	67.0	13.508	115/208-230	9
0.75	0.55	3600	56C	.7536ES1B56C-S	\$353	F1	32	1.15	4.00	66.0	12.721	115/208-230	9
		1800	56C	.7518ES1B56C-S	\$370	F1	34	1.15	5.30	68.5	13.114	115/208-230	9
		1200	56HC	.7512ES1B56C-S	\$669	F1	45	1.15	4.70	70.0	14.295	115/208-230	9
1	0.75	3600	56C	00136ES1B56C-S	\$378	F1	35	1.15	5.10	70.0	13.114	115/208-230	9
		1800	56C	00118ES1B56C-S	\$424	F1	40	1.15	6.80	71.0	13.902	115/208-230	9
		1800	56C	00118ES1B056C-S	\$439	F1	40	1.15	6.80	71.0	13.902	115/208-230	3;9
1.5	1.1	3600	56C	00156ES1B56C-S	\$454	F1	40	1.15	6.60	75.0	13.902	115/208-230	9
		1800	56HC	00158ES1B056C-S	\$493	F1	41	1.15	7.50	77.0	15.083	115/208-230	3;9
		1800	56HC	00158ES1B56C-S	\$478	F1	41	1.15	7.50	77.0	15.083	115/208-230	9
2	1.5	3600	56HC	00236ES1B56C-S	\$589	F1	44	1.15	8.70	77.0	14.295	115/208-230	9



TEFC - C-Face - Footless

HP	kW	RPM	Frame	Catalog Number	List Price	Mult. Symbol	Approx. Shipping Weight (lbs)	Service Factor	FL Amps @ High	FL Eff (%)	"C" Dimension (in)	Voltage (V)	Notes
0.33	0.25	3600	W56C	.3336ES1BW56CFL-S	\$288	F1	21	1.15	2.60	53.0	11.106	115/208-230	9;20
		1800	W56C	.3318ES1BW56CFL-S	\$304	F1	22	1.15	3.00	61.0	11.500	115/208-230	9;20
0.5	0.37	3600	W56C	.5036ES1BW56CFL-S	\$313	F1	24	1.15	3.50	60.0	11.500	115/208-230	9;20
		1800	W56C	.5018ES1BW56CFL-S	\$333	F1	24	1.15	4.00	64.0	11.894	115/208-230	9;20
		1200	56C	.5012ES1B56CFL-S	\$535	F1	38	1.15	3.20	71.0	13.508	115/208-230	9;20
		3600	56C	.7536ES1B56CFL-S	\$353	F1	31	1.15	4.00	66.0	12.721	115/208-230	9;20
0.75	0.55	1800	56C	.7518ES1B56CFL-S	\$370	F1	34	1.15	5.30	68.5	13.114	115/208-230	9;20
		1200	56C	.7512ES1B56CFL-S	\$669	F1	44	1.15	4.70	70.0	14.295	115/208-230	9;20
		3600	56C	00136ES1B56CFL-S	\$378	F1	35	1.15	5.10	70.0	13.114	115/208-230	9;20
1	0.75	1800	56C	00118ES1B56CFL-S	\$424	F1	39	1.15	6.80	71.0	13.902	115/208-230	9;20
		3600	56C	00156ES1B56CFL-S	\$454	F1	39	1.15	6.60	75.0	13.902	115/208-230	9;20
1.5	1.1	1800	56C	00158ES1B56CFL-S	\$478	F1	40	1.15	7.50	77.0	15.083	115/208-230	9;20
		3600	56C	00236ES1B56CFL-S	\$589	F1	43	1.15	8.70	77.0	14.295	115/208-230	9;20

Please refer to back cover for description of "NOTES"

For detailed specifications, data sheets, drawings and performance curves visit <http://www.weg.net>



TEFC - Foot Mount - Thermally Protected

HP	kW	RPM	Frame	Catalog Number	List Price	Mult. Symbol	Approx. Shipping Weight (lbs)	Service Factor	FL Amps @ High	FL. Eff (%)	"C" Dimension (in)	Voltage (V)	Notes
0.33	0.25	1800	W56	.3318ES1RFDW56-S	\$284	R1	22	1.15	3.00	61.0	11.500	115/230	4;9
		3600	W56	.5036ES1B0LW56-S	\$316	F1	24	1.15	3.50	60.0	11.500	115/208-230	4;9
0.5	0.37	1800	W56	.5018ES1RFDW56-S	\$308	R1	25	1.15	4.00	64.0	11.894	115/230	4;9
		3600	56	.7536ES1B0L56-S	\$329	F1	31	1.15	4.00	66.0	12.721	115/208-230	4;9
0.75	0.55	1800	56	.7518ES1RFD56-S	\$357	R1	34	1.15	5.30	68.5	13.114	115/230	4;9
		3600	56	00136ES1B0L56-S	\$408	F1	35	1.15	5.10	70.0	13.114	115/208-230	4;9
1	0.75	1800	56	00118ES1RFD56-S	\$394	R1	40	1.15	6.80	71.0	13.901	115/230	4;9
		3600	56	00156ES1B0L56-S	\$463	F1	39	1.15	6.60	75.0	13.902	115/208-230	4;9
1.5	1.1	1800	56H	00158ES1RFD56H-S	\$502	R1	51	1.15	7.50	77.0	15.083	115/230	4;9
		3600	56H	00236ES1B0L56-S	\$592	F1	44	1.15	8.70	77.0	14.295	115/208-230	4;9
2	1.5	1800	56H	00218ES1RFD56H-S	\$529	R1	56	1.15	10.0	78.5	15.870	115/230	4;9

Please refer to back cover for description of "NOTES"

For detailed specifications, data sheets, drawings and performance curves visit <http://www.weg.net>

Data subject to change without notice.

Can't find what you are looking for? Call 1-800-ASK-4WEG (275-4934)

Fractional Motors



SINGLE -PHASE

ODP - Foot Mount

HP	kW	RPM	Frame	Catalog Number	List Price	Mult. Symbol	Approx. Shipping Weight (lbs)	Service Factor	FL Amps @ High	FL. Eff (%)	"C" Dimension (in)	Voltage (V)	Notes
0.12	0.09	1800	48	.12180S1B48-S	\$201	F1B	18	1.40	1.40	50.0	9.098	115/208-230	9
0.16	0.12	3600	48	.16360S1B48-S	\$216	F1B	21	1.35	1.40	53.0	9.098	115/208-230	9
		1800	48	.16180S1B48-S	\$208	F1B	22	1.35	1.70	53.0	9.098	115/208-230	9
0.25	0.18	3600	48	.25360T1B48-S	\$253	F2B	19	1.35	1.30	66.6	9.492	115/208-230	9
		3600	W56	.25360T1BW56-S	\$253	F2B	19	1.35	1.30	66.6	9.866	115/208-230	9
		1800	48	.25180T1B48-S	\$241	F2B	18	1.35	1.60	68.5	9.492	115/208-230	9
		1800	W56	.25180T1BW56-S	\$241	F2B	19	1.35	1.60	68.5	9.866	115/208-230	9
0.33	0.25	3600	48	.33360T1B48-S	\$256	F2B	23	1.35	1.60	70.5	9.886	115/208-230	9
		3600	W56	.33360T1BW56-S	\$257	F2B	23	1.35	1.60	70.5	10.260	115/208-230	9
		1800	48	.33180T1B48-S	\$275	F2B	20	1.35	2.10	72.4	9.886	115/208-230	9
		1800	W56	.33180T1BW56-S	\$275	F2B	21	1.35	2.10	72.4	10.260	115/208-230	9
0.5	0.37	3600	48	.50360T1B48-S	\$276	F2B	23	1.25	2.40	72.4	9.886	115/208-230	9
		3600	W56	.50360S1BCDW56-S	\$224	C1S	28	1.00	3.10	63.0	9.866	115/208-230	1;4;6;9
		3600	W56	.50360T1BW56-S	\$282	F2B	24	1.25	2.40	72.4	10.260	115/208-230	9
		1800	48	.50180T1B48-S	\$318	F2B	23	1.25	2.80	76.2	10.280	115/208-230	9
		1800	W56	.50180T1BW56-S	\$307	F2B	23	1.25	2.80	76.2	10.654	115/208-230	9
0.75	0.55	3600	W56	.75360S1BCDW56-S	\$237	C1S	22	1.00	4.30	68.5	10.260	115/208-230	1;4;6;9
		3600	56	.75360T1B56-S	\$320	F2B	30	1.25	3.40	76.2	11.890	115/208-230	9
		1800	56	.75180T1B56-S	\$387	F2B	38	1.25	3.40	81.8	11.890	115/208-230	9
1	0.75	3600	56	001360S1BCD56-S	\$278	C1S	36	1.00	6.60	67.0	11.102	115/208-230	1;4;6;9
		3600	56	001360T1B56-S	\$347	F2B	35	1.25	4.30	80.4	11.890	115/208-230	9
		1800	56	001180T1B56-S	\$421	F2B	41	1.15	4.50	82.6	12.677	115/208-230	9
		1800	56	001180T1B056-S	\$438	F2B	41	1.15	4.50	82.6	12.677	115/208-230	3;9
1.5	1.1	3600	56	001560S1BCD56-S	\$311	C1S	40	1.00	8.70	68.0	11.496	115/208-230	1;4;6;9
		3600	56	001560T1B56-S	\$393	F2B	38	1.15	6.20	81.5	12.284	115/208-230	9
		1800	56H	001580T1B56-S	\$523	F2B	49	1.15	6.80	83.8	13.071	115/208-230	9
		1800	56H	001580T1B056-S	\$541	F2B	50	1.15	6.80	83.8	13.465	115/208-230	3;9
2	1.5	3600	56H	002360S1BCD56-S	\$372	C1S	34	1.00	8.90	70.0	11.890	115/208-230	1;4;6;9
		3600	56H	002360T1B56-S	\$485	F2B	43	1.15	8.40	82.9	12.677	115/208-230	9
		1800	56H	002180T1B56-S	\$626	F2B	54	1.15	9.30	84.5	13.465	115/208-230	9
3	2.2	3600	56H	003360S1CCD56-S	\$432	C1S	41	1.00	12.7	80.0	12.677	208-230	1;4;6;9
		3600	56H	003360T1B56-S	\$568	F2B	52	1.15	12.2	84.1	13.465	115/208-230	9
5	3.7	3600	56H	005360S1DCD56H-S	\$458	C1S	53	1.00	20.3	80.0	13.465	230	1;4;6;9
		3600	56HZ	005360S1DCD56HZ-S	\$481	C1S	53	1.00	20.3	80.0	13.533	230	1;4;5;6;9

Fractional Motors

Please refer to back cover for description of "NOTES"

For detailed specifications, data sheets, drawings and performance curves visit <http://www.weg.net>



ODP - Resilient Base

HP	kW	RPM	Frame	Catalog Number	List Price	Mult. Symbol	Approx. Shipping Weight (lbs)	Service Factor	FL Amps @ High	FL. Eff (%)	"C" Dimension (in)	Voltage (V)	Notes
0.16	0.12	1800	48Z	.16180S1ASPRB048Z-S	\$272	F1B	21	1.35	3.00	50.5	10.138	115	3;9;13;16
		1800	48Z	.16180S1ASPRB48Z-S	\$260	F1B	21	1.35	3.00	50.5	10.138	115	9;13;16
0.25	0.18	1800	48Z	.25180S1BSPRB048Z-S	\$274	F1B	22	1.35	2.10	55.0	10.138	115/208-230	3;9;13;16
		1800	48Z	.25180S1ASPRB048Z-S	\$274	F1B	22	1.35	4.30	55.0	10.138	115	3;9;13;16
		1800	48Z	.25180S1ASPRB48Z-S	\$262	F1B	22	1.35	4.30	55.0	10.138	115	9;13;16
0.33	0.25	1800	48Z	.33180S1BSPRB048Z-S	\$284	F1B	24	1.35	2.60	60.8	10.138	115/208-230	3;9;13;16
		1800	W56	.33180S1BSPRBOW56-S	\$288	F1B	25	1.35	2.60	62.0	10.138	115/208-230	3;9;13;16
		1800	W56	.33180S1BSPRBW56-S	\$276	F1B	25	1.35	2.60	62.0	10.138	115/208-230	9;13;16
		1800	48Z	.33180S1BSPRB48Z-S	\$272	F1B	24	1.35	2.60	60.8	10.138	115/208-230	9;13;16
		1800	W56	.33180T1BRBOW56-S	\$325	F2B	24	1.35	2.10	72.4	10.925	115/208-230	3;9;13
0.5	0.37	1800	48Z	.50180S1BSPRB048Z-S	\$311	F1B	29	1.25	3.70	63.5	10.925	115/208-230	3;9;13;16
		1800	48Z	.50180S1BSPRB48Z-S	\$299	F1B	29	1.25	3.70	63.5	10.925	115/208-230	9;13;16
		1800	W56	.50180S1BSPRBOW56-S	\$316	F1B	30	1.25	3.70	63.5	10.945	115/208-230	3;9;13;16
		1800	W56	.50180S1BSPRBW56-S	\$304	F1B	30	1.25	3.70	63.5	10.945	115/208-230	9;13;16
		1800	W56	.50180T1BRBOW56-S	\$368	F2B	26	1.25	2.75	76.2	11.319	115/208-230	3;9;13
0.75	0.55	1800	56	.75180T1BRB056-S	\$434	F2B	38	1.25	3.40	81.8	12.402	115/208-230	3;9;13
1	0.75	1800	56	001180T1BRB056-S	\$468	F2B	43	1.15	4.50	82.6	13.189	115/208-230	3;9;13
1.5	1.1	3600	56	001560T1BRB056-S	\$450	F2B	39	1.15	6.20	81.5	12.795	115/208-230	3;9;13
		1800	56H	001580T1BRB056-S	\$570	F2B	50	1.15	6.80	83.8	13.583	115/208-230	3;9;13
2	1.5	1800	56H	002180T1BRB056H-S	\$616	F2B	57	1.15	9.30	84.5	14.373	115/208-230	3;9;13

Please refer to back cover for description of "NOTES"

For detailed specifications, data sheets, drawings and performance curves visit <http://www.weg.net>

Data subject to change without notice.

Can't find what you are looking for? Call 1-800-ASK-4WEG (275-4934)

Fractional Motors



SINGLE -PHASE

ODP - C-Face - Foot Mount



HP	kW	RPM	Frame	Catalog Number	List Price	Mult. Symbol	Approx. Shipping Weight (lbs)	Service Factor	FL Amps @ High	FL. Eff (%)	"C" Dimension (in)	Voltage (V)	Notes
0.12	0.09	1800	48CH	.12180S1B48CH-S	\$222	F1B	18	1.40	1.40	50.0	9.098	115/208-230	9
		3600	48CH	.16360S1B48CH-S	\$237	F1B	21	1.35	1.40	53.0	9.098	115/208-230	9
0.16	0.12	1800	48CH	.16180S1B48CH-S	\$231	F1B	22	1.35	1.70	53.0	9.098	115/208-230	9
		3600	48CH	.25360T1B48CH-S	\$277	F2B	19	1.35	1.30	66.6	9.492	115/208-230	9
0.25	0.18	3600	W56C	.25360T1BW56C-S	\$281	F2B	19	1.35	1.30	66.6	9.866	115/208-230	9
		1800	48CH	.25180T1B48CH-S	\$269	F2B	18	1.35	1.60	68.5	9.492	115/208-230	9
		1800	W56C	.25180T1BW56C-S	\$269	F2B	19	1.35	1.60	68.5	9.866	115/208-230	9
		3600	48CH	.33360T1B48CH-S	\$282	F2B	23	1.35	1.60	70.5	9.886	115/208-230	9
0.33	0.25	3600	W56C	.33360T1BW56C-S	\$285	F2B	23	1.35	1.60	70.5	10.260	115/208-230	9
		1800	48CH	.33180T1B48CH-S	\$299	F2B	20	1.35	2.10	72.4	9.886	115/208-230	9
		1800	W56C	.33180T1BW56C-S	\$303	F2B	21	1.35	2.10	72.4	10.260	115/208-230	9
		3600	48CH	.50360T1B48CH-S	\$300	F2B	23	1.25	2.40	72.4	9.886	115/208-230	9
0.5	0.37	3600	W56C	.50360T1BW56C-S	\$310	F2B	24	1.25	2.40	72.4	10.260	115/208-230	9
		1800	W56C	.50180T1BOW56C-S	\$352	F2B	24	1.25	2.80	76.2	10.654	115/208-230	3;9
		1800	W56C	.50180T1BW56C-S	\$335	F2B	24	1.25	2.80	76.2	10.654	115/208-230	9
		3600	56C	.75360T1B56C-S	\$348	F2B	30	1.25	3.40	76.2	11.890	115/208-230	9
0.75	0.55	1800	56C	.75180T1B56C-S	\$415	F2B	38	1.25	3.40	81.8	11.890	115/208-230	9
		3600	56C	001360T1B56C-S	\$375	F2B	35	1.25	4.30	80.4	11.890	115/208-230	9
1	0.75	1800	56C	001180T1B56C-S	\$449	F2B	41	1.15	4.50	82.6	12.677	115/208-230	9
		3600	56C	001560T1B56C-S	\$421	F2B	38	1.15	6.20	81.5	12.284	115/208-230	9
1.5	1.1	1800	56HC	001580T1B56C-S	\$551	F2B	49	1.15	6.80	83.8	13.071	115/208-230	9
		3600	56HC	002360T1B56C-S	\$513	F2B	43	1.15	8.40	82.9	12.677	115/208-230	9
2	1.5	1800	56HC	002180T1B56C-S	\$654	F2B	54	1.15	9.30	84.5	13.465	115/208-230	9
		3600	56HC	003360T1B56C-S	\$596	F2B	52	1.15	12.2	84.1	13.465	115/208-230	9

Fractional Motors

Please refer to back cover for description of "NOTES"

For detailed specifications, data sheets, drawings and performance curves visit [http:// www.weg.net](http://www.weg.net)



ODP - C-Face - Footless

HP	kW	RPM	Frame	Catalog Number	List Price	Mult. Symbol	Approx. Shipping Weight (lbs)	Service Factor	FL Amps @ High	FL. Eff (%)	"C" Dimension (in)	Voltage (V)	Notes
0.25	0.18	1800	W56C	.25180T1BW56CFL-S	\$269	F2B	18	1.35	1.60	68.5	9.866	115/208-230	9;20
0.33	0.25	3600	W56C	.33360T1BW56CFL-S	\$285	F2B	23	1.35	1.60	70.5	10.260	115/208-230	9;20
		3600	W56C	.33360T1BOW56CFL-S	\$302	F2B	23	1.35	1.60	70.5	10.260	115/208-230	3;9;20
		1800	W56C	.33180T1BW56CFL-S	\$303	F2B	20	1.35	2.10	72.4	10.260	115/208-230	9;20
0.5	0.37	3600	W56C	.50360T1BOW56CFL-S	\$327	F2B	23	1.25	2.40	72.4	10.260	115/208-230	3;9;20
		3600	W56C	.50360T1BW56CFL-S	\$310	F2B	23	1.25	2.40	72.4	10.260	115/208-230	9;20
		1800	W56C	.50180T1BW56CFL-S	\$335	F2B	23	1.25	2.80	76.2	10.654	115/208-230	9;20
0.75	0.55	3600	56C	.75360T1B056CFL-S	\$365	F2B	29	1.25	3.40	76.2	11.890	115/208-230	3;9;20
		3600	56C	.75360T1B56CFL-S	\$348	F2B	29	1.25	3.40	76.2	11.890	115/208-230	9;20
		1800	56C	.75180T1B56CFL-S	\$415	F2B	38	1.25	3.40	81.8	11.890	115/208-230	9;20
1	0.75	3600	56C	001360T1B56CFL-S	\$375	F2B	35	1.25	4.30	80.4	11.890	115/208-230	9;20
		3600	56C	001360T1B056CFL-S	\$392	F2B	35	1.25	4.30	80.4	11.890	115/208-230	3;9;20
		1800	56C	001180T1B56CFL-S	\$449	F2B	41	1.15	4.50	82.6	12.677	115/208-230	9;20
1.5	1.1	3600	56C	001560T1B56CFL-S	\$421	F2B	38	1.15	6.20	81.5	12.284	115/208-230	9;20
		3600	56C	001560T1B056CFL-S	\$438	F2B	38	1.15	6.20	81.5	12.284	115/208-230	3;9;20
		1800	56C	001580T1B56CFL-S	\$551	F2B	48	1.15	6.80	83.8	13.071	115/208-230	9;20
2	1.5	3600	56C	002360T1B56CFL-S	\$513	F2B	43	1.15	8.40	82.9	12.677	115/208-230	9;20
		3600	56C	002360T1B056CFL-S	\$530	F2B	43	1.15	8.40	82.9	12.677	115/208-230	3;9;20
		1800	56C	002180T1B56CFL-S	\$654	F2B	54	1.15	9.30	84.5	13.465	115/208-230	9;20
3	2.2	3600	56C	003360T1B056CFL-S	\$613	F2B	51	1.15	12.2	84.1	13.465	115/208-230	3;9;20
		3600	56C	003360T1B56CFL-S	\$596	F2B	51	1.15	12.2	84.1	13.465	115/208-230	9;20



ODP - Foot Mount - Thermally Protected

HP	kW	RPM	Frame	Catalog Number	List Price	Mult. Symbol	Approx. Shipping Weight (lbs)	Service Factor	FL Amps @ High	FL. Eff (%)	"C" Dimension (in)	Voltage (V)	Notes
0.5	0.37	3600	W56	.50360S1BCDW56-S	\$224	C1S	28	1.00	3.10	63.0	9.866	115/208-230	1;4;6;9
0.75	0.55	3600	W56	.75360S1BCDW56-S	\$237	C1S	22	1.00	4.30	68.5	10.260	115/208-230	1;4;6;9
1	0.75	3600	56	001360S1BCD56-S	\$278	C1S	36	1.00	6.60	67.0	11.102	115/208-230	1;4;6;9
		1800	56	001180T1B056-S	\$438	F2B	41	1.15	4.50	82.6	12.677	115/208-230	3;9
1.5	1.1	3600	56	001560S1BCD56-S	\$311	C1S	40	1.00	8.70	68.0	11.496	115/208-230	1;4;6;9
		1800	56H	001580T1B056-S	\$541	F2B	50	1.15	6.80	83.8	13.465	115/208-230	3;9
2	1.5	3600	56H	002360S1BCD56-S	\$372	C1S	34	1.00	8.90	70.0	11.890	115/208-230	1;4;6;9
3	2.2	3600	56H	003360S1CCD56-S	\$432	C1S	41	1.00	12.7	80.0	12.677	208-230	1;4;6;9
5	3.7	3600	56H	005360S1DCD56H-S	\$458	C1S	53	1.00	20.3	80.0	13.465	230	1;4;6;9
		3600	56HZ	005360S1DCD56HZ-S	\$481	C1S	53	1.00	20.3	80.0	13.533	230	1;4;5;6;9

Please refer to back cover for description of "NOTES"

For detailed specifications, data sheets, drawings and performance curves visit <http://www.weg.net>

Data subject to change without notice.

Can't find what you are looking for? Call 1-800-ASK-4WEG (275-4934)

A-147

Fractional Motors



THREE -PHASE

TEFC - Foot Mount

HP	kW	RPM	Frame	Catalog Number	List Price	Mult. Symbol	Approx. Shipping Weight (lbs)	Service Factor	FL Amps @ High	FL. Eff (%)	"C" Dimension (in)	Voltage (V)	Notes
0.25	0.18	3600	56	.2536ES3E56-S	\$237	F1	21	1.15	0.50	57.5	11.142	208-230/460	9
		1800	56	.2518ES3E56-S	\$249	F1	23	1.15	0.50	70.0	11.142	208-230/460	9
0.33	0.25	3600	56	.3336ES3E56-S	\$249	F1	22	1.15	0.60	62.0	11.142	208-230/460	9
		1800	56	.3318ES3E56-S	\$253	F1	24	1.15	0.60	74.0	11.535	208-230/460	9
0.5	0.37	3600	56	.5036ES3E56-S	\$258	F1	24	1.15	0.80	68.0	11.535	208-230/460	9
		1800	56	.5018ES3E56-S	\$287	F1	26	1.15	0.90	77.0	11.535	208-230/460	9
		1800	56	.5018ES3H56-S	\$288	F1	26	1.15	0.70	77.0	11.535	575	9
		1200	56	.5012ES3E56-S	\$417	F1	31	1.15	1.00	72.0	12.323	208-230/460	9
0.75	0.55	3600	56	.7536ES3E56-S	\$287	F1	25	1.15	1.10	72.0	11.535	208-230/460	9
		3600	56	.7536ES3H56-S	\$288	F1	25	1.15	0.90	72.0	11.535	575	9
		1800	56	.7518ES3E56-S	\$311	F1	28	1.15	1.20	78.5	11.929	208-230/460	9
		1200	56H	.7512ES3E56-S	\$427	F1	34	1.15	1.30	75.5	12.716	208-230/460	9
1	0.75	3600	W56	00136ET3EW56-S	\$392	F1	25	1.15	1.50	78.5	11.106	230/460	9
		3600	W56	00136ET3HW56-S	\$392	F1	25	1.15	1.20	78.5	11.106	575	9
		1800	56	00118ET3E56-S	\$379	F1	41	1.15	1.50	85.5	13.504	230/460	9
		1800	56	00118ET3H56-S	\$379	F1	41	1.15	1.20	85.5	13.504	575	9
		1200	56H	00112ET3E56-S	\$497	F1	42	1.15	1.60	82.5	13.504	230/460	9
1.5	1.1	3600	56	00156ET3E56-S	\$433	F1	37	1.15	1.90	84.0	13.109	230/460	9
		1800	56H	00158ET3E56-S	\$435	F1	44	1.15	2.00	86.5	13.504	230/460	9
2	1.5	3600	56H	00236ET3E56-S	\$489	F1	44	1.15	2.50	85.5	13.898	230/460	9
		1800	56H	00218ET3E56-S	\$478	F1	46	1.15	2.70	86.5	13.898	230/460	9
3	2.2	3600	56H	00336ET3E56-S	\$578	F1	54	1.15	3.50	86.5	15.079	230/460	9

Fractional Motors

Please refer to back cover for description of "NOTES"

For detailed specifications, data sheets, drawings and performance curves visit <http://www.weg.net>



TEFC - C-Face - Foot Mount

HP	kW	RPM	Frame	Catalog Number	List Price	Mult. Symbol	Approx. Shipping Weight (lbs)	Service Factor	FL Amps @ High	FL. Eff (%)	"C" Dimension (in)	Voltage (V)	Notes
0.25	0.18	3600	56C	.2536ES3E56C-S	\$258	F1	21	1.15	0.50	57.5	11.142	208-230/460	9
		1800	56C	.2518ES3E56C-S	\$270	F1	23	1.15	0.50	70.0	11.142	208-230/460	9
		1800	56C	.2518ES3H56C-S	\$270	F1	23	1.15	0.40	70.0	11.142	575	9
0.33	0.25	3600	56C	.3336ES3E56C-S	\$270	F1	22	1.15	0.60	62.0	11.142	208-230/460	9
		3600	56C	.3336ES3H56C-S	\$270	F1	22	1.15	0.50	62.0	11.142	575	9
		1800	56C	.3318ES3E56C-S	\$274	F1	24	1.15	0.60	74.0	11.535	208-230/460	9
0.5	0.37	3600	56C	.5036ES3E56C-S	\$282	F1	24	1.15	0.80	68.0	11.535	208-230/460	9
		3600	56C	.5036ES3H56C-S	\$281	F1	24	1.15	0.70	68.0	11.535	575	9
		1800	56C	.5018ES3E56C-S	\$311	F1	26	1.15	0.90	77.0	11.535	208-230/460	9
		1800	56C	.5018ES3H56C-S	\$263	F1	26	1.15	0.70	77.0	11.535	575	9
		1200	56C	.5012ES3E56C-S	\$440	F1	31	1.15	1.00	72.0	12.323	208-230/460	9
		3600	56C	.7536ES3E56C-S	\$311	F1	25	1.15	1.10	72.0	11.535	208-230/460	9
0.75	0.55	3600	56C	.7536ES3H56C-S	\$310	F1	25	1.15	0.90	72.0	11.535	575	9
		1800	56C	.7518ES3E56C-S	\$332	F1	28	1.15	1.20	78.5	11.929	208-230/460	9
		1800	56C	.7518ES3H56C-S	\$333	F1	28	1.15	1.00	78.5	11.929	575	9
		1200	56HC	.7512ES3E56C-S	\$449	F1	34	1.15	1.30	75.5	12.716	208-230/460	9
		3600	W56C	00136ET3EW56C-S	\$420	F1	25	1.15	1.50	78.5	11.106	230/460	9
1	0.75	3600	W56C	00136ET3HW56C-S	\$420	F1	25	1.15	1.20	78.5	11.106	575	9
		1800	56C	00118ET3E56C-S	\$407	F1	41	1.15	1.50	85.5	13.504	230/460	9
		1800	56C	00118ET3H56C-S	\$407	F1	41	1.15	1.20	85.5	13.504	575	9
		1200	56HC	00112ET3E56C-S	\$525	F1	42	1.15	1.60	82.5	13.504	230/460	9
		3600	56C	00156ET3E56C-S	\$461	F1	37	1.15	1.90	84.0	13.109	230/460	9
1.5	1.1	3600	56C	00156ET3H56C-S	\$461	F1	37	1.15	1.50	84.0	13.109	575	9
		1800	56HC	00158ET3E56C-S	\$463	F1	44	1.15	2.00	86.5	13.504	230/460	9
		1800	56HC	00158ET3H56C-S	\$463	F1	44	1.15	1.60	86.5	13.504	575	9
		3600	56HC	00236ET3E56C-S	\$517	F1	44	1.15	2.50	85.5	13.898	230/460	9
2	1.5	3600	56HC	00236ET3H56C-S	\$517	F1	44	1.15	2.00	85.5	13.898	575	9
		1800	56HC	00218ET3E56C-S	\$506	F1	46	1.15	2.70	86.5	13.898	230/460	9
		3600	56HC	00336ET3E56C-S	\$606	F1	54	1.15	3.50	86.5	15.079	230/460	9
3	2.2	3600	56HC	00336ET3H56C-S	\$606	F1	54	1.15	2.80	86.5	15.079	575	9

Please refer to back cover for description of "NOTES"

For detailed specifications, data sheets, drawings and performance curves visit [http:// www.weg.net](http://www.weg.net)

Data subject to change without notice.

Can't find what you are looking for? Call 1-800-ASK-4WEG (275-4934)

Fractional Motors



THREE -PHASE

TEFC - C-Face - Footless

HP	kW	RPM	Frame	Catalog Number	List Price	Mult. Symbol	Approx. Shipping Weight (lbs)	Service Factor	FL Amps @ High	FL. Eff (%)	"C" Dimension (in)	Voltage (V)	Notes
0.33	0.25	3600	56C	.3336ES3E56CFL-S	\$270	F1	22	1.15	0.60	62.0	11.142	208-230/460	9;20
		3600	56C	.3336ES3H56CFL-S	\$270	F1	22	1.15	0.50	62.0	11.142	575	9;20
		1800	56C	.3318ES3E56CFL-S	\$274	F1	24	1.15	0.60	74.0	11.535	208-230/460	9;20
0.5	0.37	3600	56C	.5036ES3E56CFL-S	\$282	F1	24	1.15	0.80	68.0	11.535	208-230/460	9;20
		1800	56C	.5018ES3E56CFL-S	\$311	F1	26	1.15	0.90	77.0	11.535	208-230/460	9;20
		1800	56C	.5018ES3H56CFL-S	\$281	F1	26	1.15	0.70	77.0	11.535	575	9;20
		1200	56C	.5012ES3E56CFL-S	\$440	F1	31	1.15	1.00	72.0	12.323	208-230/460	9;20
		1200	56C	.5012ES3H56CFL-S	\$441	F1	31	1.15	0.80	72.0	12.323	575	9;20
0.75	0.55	3600	56C	.7536ES3E56CFL-S	\$311	F1	25	1.15	1.10	72.0	11.535	208-230/460	9;20
		3600	56C	.7536ES3H56CFL-S	\$310	F1	25	1.15	0.90	72.0	11.535	575	9;20
		1800	56C	.7518ES3E56CFL-S	\$332	F1	28	1.15	1.20	78.5	11.929	208-230/460	9;20
		1800	56C	.7518ES3H56CFL-S	\$333	F1	28	1.15	1.00	78.5	11.929	575	9;20
		1200	56C	.7512ES3E56CFL-S	\$449	F1	34	1.15	1.30	75.5	12.716	208-230/460	9;20
		1200	56C	.7512ES3H56CFL-S	\$448	F1	34	1.15	1.10	75.5	12.716	575	9;20
1	0.75	3600	W56C	00136ET3EW56CFL-S	\$420	F1	25	1.15	1.50	78.5	11.106	230/460	9;20
		1800	56C	00118ET3E56CFL-S	\$407	F1	41	1.15	1.50	85.5	13.504	230/460	9;20
		1800	56C	00118ET3H56CFL-S	\$407	F1	41	1.15	1.20	85.5	13.504	575	9;20
		1200	56C	00112ET3E56CFL-S	\$528	F1	42	1.15	1.60	82.5	13.504	230/460	9;20
		1200	56C	00112ET3H56CFL-S	\$528	F1	42	1.15	1.30	82.5	13.504	575	9;20
1.5	1.1	3600	56C	00156ET3E56CFL-S	\$461	F1	37	1.15	1.90	84.0	13.109	230/460	9;20
		1800	56C	00158ET3E56CFL-S	\$463	F1	44	1.15	2.00	86.5	13.504	230/460	9;20
2	1.5	3600	56C	00236ET3E56CFL-S	\$517	F1	44	1.15	2.50	85.5	13.898	230/460	9;20
		1800	56C	00218ET3E56CFL-S	\$506	F1	46	1.15	2.70	86.5	13.898	230/460	9;20
3	2.2	3600	56C	00336ET3E56CFL-S	\$606	F1	54	1.15	3.50	86.5	15.079	230/460	9;20
		3600	56C	00336ET3H56CFL-S	\$606	F1	54	1.15	2.80	86.5	15.079	575	9;20

Fractional Motors

Please refer to back cover for description of "NOTES"

For detailed specifications, data sheets, drawings and performance curves visit <http://www.weg.net>



ODP - Foot Mount

HP	kW	RPM	Frame	Catalog Number	List Price	Mult. Symbol	Approx. Shipping Weight (lbs)	Service Factor	FL Amps @ High	FL. Eff (%)	"C" Dimension (in)	Voltage (V)	Notes
0.25	0.18	3600	56	.25360T3E56-S	\$231	F2B	19	1.35	0.46	65.6	10.315	230/460	9
		1800	48	.25180T3E48-S	\$235	F2B	18	1.35	0.48	70.0	9.492	230/460	9
		1800	56	.25180T3E56-S	\$235	F2B	19	1.35	0.53	69.5	9.921	230/460	9
		1200	56	.25120T3E56-S	\$288	F2B	21	1.35	0.55	67.5	10.315	230/460	9
0.33	0.25	3600	56	.33360T3E56-S	\$242	F2B	19	1.35	0.61	69.5	10.315	230/460	9
		1800	56	.33180T3E56-S	\$256	F2B	20	1.35	0.67	73.4	10.315	230/460	9
		1800	56	.33180T3H56-S	\$269	F2B	20	1.35	0.54	73.4	10.315	575	9
		1200	56	.33120T3E56-S	\$333	F2B	22	1.35	0.70	71.4	10.315	230/460	9
0.5	0.37	3600	56	.50360T3E56-S	\$258	F2B	20	1.25	0.81	73.4	10.315	230/460	9
		1800	56	.50180T3E56-S	\$296	F2B	24	1.25	0.86	78.2	10.709	230/460	9
		1800	56	.50180T3H56-S	\$311	F2B	24	1.25	0.69	78.2	10.709	575	9
		1200	56	.50120T3E56-S	\$349	F2B	25	1.25	0.93	75.3	10.709	230/460	9
0.75	0.55	3600	56	.75360T3E56-S	\$305	F2B	22	1.25	1.14	76.8	10.709	230/460	9
		1800	56	.75180T3E56-S	\$330	F2B	27	1.25	1.15	81.1	11.102	230/460	9
		1800	56	.75180T3H56-S	\$347	F2B	27	1.25	0.92	81.1	11.102	575	9
		1200	56H	.75120T3E56-S	\$384	F2B	38	1.15	1.26	81.7	12.677	230/460	9
1	0.75	3600	56	001360T3E56-S	\$355	F2B	23	1.25	1.51	77.0	10.709	230/460	9
		1800	56	001180T3E56-S	\$350	F2B	30	1.15	1.57	83.5	11.495	230/460	9
		1200	56H	001120T3E56-S	\$458	F2B	42	1.15	1.68	82.5	13.070	230/460	9
1.5	1.1	3600	56	001560T3E56-S	\$380	F2B	30	1.15	1.85	84.0	11.889	230/460	9
		1800	56H	001580T3E56-S	\$361	F2B	40	1.15	2.10	86.5	12.677	230/460	9
2	1.5	3600	56H	002360T3E56-S	\$436	F2B	38	1.15	2.42	85.5	12.677	230/460	9
		1800	56H	002180T3E56-S	\$371	F2B	40	1.15	2.69	86.5	12.677	230/460	9
3	2.2	3600	56H	003360T3E56-S	\$485	F2B	42	1.15	3.59	85.5	13.070	230/460	9
		1800	56HZ	003180T3E56Z-S	\$481	F2B	48	1.15	3.97	86.9	13.071	230/460	9

Please refer to back cover for description of "NOTES"

For detailed specifications, data sheets, drawings and performance curves visit [http:// www.weg.net](http://www.weg.net)

Data subject to change without notice.

Can't find what you are looking for? Call 1-800-ASK-4WEG (275-4934)

Fractional Motors



THREE -PHASE

ODP - C-Face - Foot Mount

HP	kW	RPM	Frame	Catalog Number	List Price	Mult. Symbol	Approx. Shipping Weight (lbs)	Service Factor	FL Amps @ High	FL. Eff (%)	"C" Dimension (in)	Voltage (V)	Notes
0.25	0.18	3600	56C	.25360T3E56C-S	\$259	F2B	19	1.35	0.46	65.6	10.315	230/460	9
		1800	56C	.25180T3E56C-S	\$263	F2B	19	1.35	0.53	69.5	9.921	230/460	9
		1200	56C	.25120T3E56C-S	\$316	F2B	21	1.35	0.55	67.5	10.315	230/460	9
0.33	0.25	3600	56C	.33360T3E56C-S	\$270	F2B	19	1.35	0.61	69.5	10.315	230/460	9
		1800	56C	.33180T3E56C-S	\$284	F2B	20	1.35	0.67	73.4	10.315	230/460	9
		1200	56C	.33120T3E56C-S	\$361	F2B	22	1.35	0.70	71.4	10.315	230/460	9
0.5	0.37	3600	56C	.50360T3E56C-S	\$286	F2B	20	1.25	0.81	73.4	10.315	230/460	9
		1800	56C	.50180T3E56C-S	\$324	F2B	24	1.25	0.86	78.2	10.709	230/460	9
		1200	56C	.50120T3E56C-S	\$377	F2B	25	1.25	0.93	75.3	10.709	230/460	9
0.75	0.55	3600	56C	.75360T3E56C-S	\$333	F2B	22	1.25	1.14	76.8	10.709	230/460	9
		1800	56C	.75180T3E56C-S	\$358	F2B	27	1.25	1.15	81.1	11.102	230/460	9
		1800	56C	.75180T3H56C-S	\$358	F2B	27	1.25	0.92	81.1	11.102	575	9
		1200	56HC	.75120T3E56C-S	\$412	F2B	38	1.15	1.26	81.7	12.677	230/460	9
1	0.75	3600	56C	001360T3E56C-S	\$383	F2B	23	1.25	1.51	77.0	10.709	230/460	9
		1800	56C	001180T3E56C-S	\$378	F2B	30	1.15	1.57	83.5	11.495	230/460	9
		1200	56HC	001120T3E56C-S	\$486	F2B	42	1.15	1.68	82.5	13.070	230/460	9
1.5	1.1	3600	56C	001560T3E56C-S	\$408	F2B	30	1.15	1.85	84.0	11.889	230/460	9
		1800	56HC	001580T3E56C-S	\$389	F2B	40	1.15	2.10	86.5	12.677	230/460	9
2	1.5	3600	56HC	002360T3E56C-S	\$464	F2B	38	1.15	2.42	85.5	12.677	230/460	9
		1800	56HC	002180T3E56C-S	\$399	F2B	40	1.15	2.69	86.5	12.677	230/460	9
3	2.2	3600	56HC	003360T3E56C-S	\$513	F2B	42	1.15	3.59	85.5	13.070	230/460	9

Fractional Motors

Please refer to back cover for description of "NOTES"

For detailed specifications, data sheets, drawings and performance curves visit <http://www.weg.net>



ODP - C-Face - Footless

HP	kW	RPM	Frame	Catalog Number	List Price	Mult. Symbol	Approx. Shipping Weight (lbs)	Service Factor	FL Amps @ High	FL. Eff (%)	"C" Dimension (in)	Voltage (V)	Notes
0.25	0.18	1800	56C	.25180T3E56CFL-S	\$263	F2B	19	1.35	0.53	66.0	9.921	230/460	9;20
		1800	56C	.25180T3H56CFL-S	\$263	F2B	19	1.35	0.42	69.5	9.921	575	9;20
0.33	0.25	3600	56C	.33360T3E56CFL-S	\$270	F2B	19	1.35	0.61	69.5	10.315	230/460	9;20
		1800	56C	.33180T3E56CFL-S	\$284	F2B	20	1.35	0.67	73.4	10.315	230/460	9;20
		1800	56C	.33180T3H56CFL-S	\$284	F2B	20	1.35	0.54	73.4	10.315	575	9;20
0.5	0.37	3600	56C	.50360T3E56CFL-S	\$286	F2B	20	1.25	0.81	73.4	10.315	230/460	9;20
		1800	56C	.50180T3E56CFL-S	\$324	F2B	24	1.25	0.86	78.2	10.709	230/460	9;20
		1800	56C	.50180T3H56CFL-S	\$324	F2B	24	1.25	0.69	78.2	10.709	575	9;20
0.75	0.55	3600	56C	.75360T3E56CFL-S	\$333	F2B	22	1.25	1.14	76.8	10.709	230/460	9;20
		1800	56C	.75180T3E56CFL-S	\$358	F2B	27	1.25	1.15	81.1	11.102	230/460	9;20
		1800	56C	.75180T3H56CFL-S	\$358	F2B	27	1.25	0.92	81.1	11.102	575	9;20
1	0.75	3600	56C	001360T3E56CFL-S	\$383	F2B	23	1.25	1.51	77.0	10.709	230/460	9;20
		1800	56C	001180T3E56CFL-S	\$378	F2B	30	1.15	1.57	83.5	11.495	230/460	9;20
		1800	56C	001180T3H56CFL-S	\$378	F2B	30	1.15	1.26	83.5	11.495	575	9;20
1.5	1.1	3600	56C	001560T3E56CFL-S	\$408	F2B	30	1.15	1.85	84.0	11.889	230/460	9;20
		1800	56C	001580T3E56CFL-S	\$389	F2B	40	1.15	2.10	86.5	12.677	230/460	9;20
		1800	56C	001580T3H56CFL-S	\$389	F2B	40	1.15	1.68	86.5	12.677	575	9;20
2	1.5	3600	56C	002360T3E56CFL-S	\$464	F2B	38	1.15	2.42	85.5	12.677	230/460	9;20
		1800	56C	002180T3E56CFL-S	\$399	F2B	40	1.15	2.69	86.5	12.677	230/460	9;20
		1800	56C	002180T3H56CFL-S	\$399	F2B	40	1.15	2.15	86.5	12.677	575	9;20
3	2.2	3600	56C	003360T3E56CFL-S	\$513	F2B	42	1.15	3.59	85.5	13.070	230/460	9;20



ODP - Three-Phase - Resilient Base

HP	kW	RPM	Frame	Catalog Number	List Price	Mult. Symbol	Approx. Shipping Weight (lbs)	Service Factor	FL Amps @ High	FL. Eff (%)	"C" Dimension (in)	Voltage (V)	Notes
0.33	0.25	1800	56	.33180T3ERB56-S	\$314	F2B	22	1.35	0.67	73.4	10.827	230/460	9;13
0.5	0.37	1800	56	.50180T3ERB56-S	\$354	F2B	25	1.25	0.86	78.2	11.220	230/460	9;13
0.75	0.55	1800	56	.75180T3ERB56-S	\$388	F2B	28	1.25	1.15	81.1	11.614	230/460	9;13
1	0.75	1800	56	001180T3ERB56-S	\$408	F2B	31	1.15	1.57	83.5	12.008	230/460	9;13
1.5	1.1	1800	56H	001580T3ERB56-S	\$419	F2B	42	1.15	2.10	86.5	13.189	230/460	9;13

Please refer to back cover for description of "NOTES"

For detailed specifications, data sheets, drawings and performance curves visit <http://www.weg.net>

Data subject to change without notice.

Can't find what you are looking for? Call 1-800-ASK-4WEG (275-4934)

Fractional Motors



DC MOTORS

NEMA 56 PMDC Motors

- UL recognized Also CE and RoHs listed.
- Replaceable brushes
- ¼ Hp thru ½ Hp ratings have a 4.45" frame/tube OD
- ¾ Hp and 1.0 Hp ratings have a 4.85" frame/tube OD.
- Optional Low Voltage (12V or 24V), or TENV Enclosed



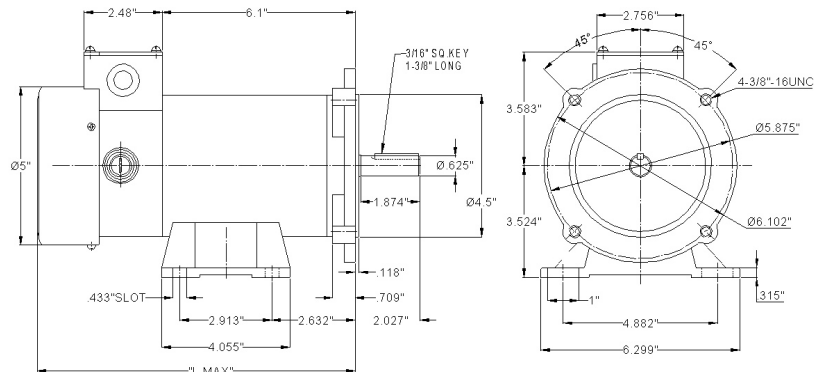
Catalog Number	HP	Voltage	Current	Speed	INSUL	Torque	L Max	List Price	Multiplier
			(Amp)	(RPM)	Class	(In/lbs)	(inches)		
MT-031	0.25	90	2.9	1750	F	9	9.63	\$516	DC1
MT-041	0.25	180	1.39	1750	F	9	9.63	\$516	DC1
MT-033	0.33	90	3.7	1750	F	12	9.63	\$563	DC1
MT-042	0.33	180	1.85	1750	F	12	9.63	\$563	DC1
MT-032	0.5	90	5.3	1750	F	18	10.24	\$644	DC1
MT-043	0.5	180	2.78	1750	F	18	10.24	\$644	DC1
MT-035	0.75	90	7.8	1750	F	27	11.67	\$791	DC1
MT-044	0.75	180	3.9	1750	F	27	11.67	\$791	DC1
MT-034	1	90	10.4	1750	F	36	13.05	\$930	DC1
MT-037	1	180	5.2	1750	F	36	13.05	\$930	DC1

NEMA 145TC PMDC Motors

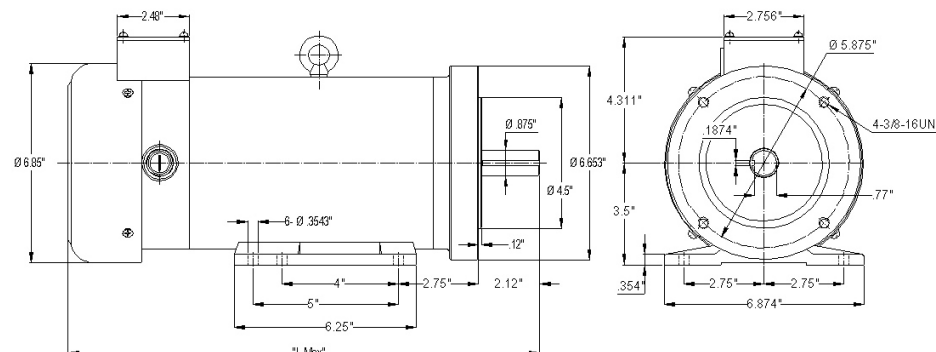
- Optional 90V ratings for both 1.5 Hp and 2.0 Hp ratings

Catalog Number	HP	Voltage	Current	Speed	INSUL	Torque	L Max	List Price	Multiplier
			(Amp)	(RPM)	Class	(In/lbs)	(inches)		
MT-038	1.5	180	8	1750	F	54	15.6	\$1,151	DC1
MT-039	2	180	9.5	1750	F	72	16.5	\$2,093	DC1
MT-040	3	180	14	1750	F	108	18.7	\$2,930	DC1

NEMA 56 Dimensions



NEMA 145TC Dimensions



ase refer to back cover for description of "NOTES"
 awings and performance curves visit [http:// www.weg.net](http://www.weg.net)

Fractional Explosion Proof Motors



Features:

- Class F insulation
- 1.0 service factor
- Foot mount motors with and without C-flange
- Class I - Group C & D and Class II - Groups E, F & G – T3B
- Thermally Protected
- Long leads for remote wiring
- Aluminum endshields



Features that make a difference:

- 50°C ambient temperature rating
- Three-Phase motors also rated for 50Hz
- Unassembled aluminum conduit box included

Please contact your authorized WEG distributor or go to wep.net/us for further information or additional specifications. **1-800-ASK-4WEG**

Fractional Motors



EXPLOSION PROOF - SINGLE PHASE



Foot Mount

HP	kW	RPM	Frame	Catalog Number	List Price	Mult. Symbol	Approx. Shipping Weight (lbs)	Service Factor	FL Amps @ High	FL. Eff (%)	"C" Dimension (in)	Voltage (V)	Notes
0.33	0.25	3600	56	.3336XS1B56	\$612	XF	23	1.00	2.60	59.7	11.790	115/208-230	1;3;9;42
		1800	56	.3318XS1B56	\$670	XF	25	1.00	3.00	60.4	11.790	115/208-230	1;3;9;42
0.5	0.37	3600	56	.5036XS1B56	\$636	XF	26	1.00	3.40	66.7	12.040	115/208-230	1;3;9;42
		1800	56	.5018XS1B56	\$739	XF	27	1.00	4.20	62.4	12.290	115/208-230	1;3;9;42
0.75	0.55	3600	56	.7536XS1B56	\$717	XF	30	1.00	4.30	74.5	12.540	115/208-230	1;3;9;42
		1800	56	.7518XS1B56	\$868	XF	34	1.00	4.52	70.8	13.040	115/208-230	1;3;9;42
1	0.75	3600	56	00136XS1B56	\$774	XF	32	1.00	5.30	76.5	13.040	115/208-230	1;3;9;42
		1800	56	00118XS1B56	\$988	XF	37	1.00	6.30	74.8	13.790	115/208-230	1;3;9;42
1.5	1.1	3600	56	00156XS1C56	\$1,121	XF	38	1.00	7.80	80.0	14.040	208-230	1;3;9;42
		1800	56H	00158XS1C56H	\$1,324	XF	48	1.00	7.80	80.0	15.420	208-230	1;3;9;42
2	1.5	3600	56H	00236XS1C56H	\$1,408	XF	43	1.00	9.80	81.1	14.540	208-230	1;3;9;42



C-Face - Foot Mount

HP	kW	RPM	Frame	Catalog Number	List Price	Mult. Symbol	Approx. Shipping Weight (lbs)	Service Factor	FL Amps @ High	FL. Eff (%)	"C" Dimension (in)	Voltage (V)	Notes
0.33	0.25	3600	56C	.3336XS1B56C	\$737	XF	23	1.00	2.60	59.7	11.790	115/208-230	1;3;9;42
		1800	56C	.3318XS1B56C	\$816	XF	25	1.00	3.00	60.4	11.790	115/208-230	1;3;9;42
0.5	0.37	3600	56C	.5036XS1B56C	\$717	XF	26	1.00	3.40	66.7	12.040	115/208-230	1;3;9;42
		1800	56C	.5018XS1B56C	\$817	XF	27	1.00	4.20	62.4	12.290	115/208-230	1;3;9;42
0.75	0.55	3600	56C	.7536XS1B56C	\$773	XF	30	1.00	4.30	74.5	12.540	115/208-230	1;3;9;42
		1800	56C	.7518XS1B56C	\$912	XF	34	1.00	4.52	70.8	13.040	115/208-230	1;3;9;42
1	0.75	3600	56C	00136XS1B56C	\$814	XF	32	1.00	5.30	76.5	13.040	115/208-230	1;3;9;42
		1800	56C	00118XS1B56C	\$1,036	XF	37	1.00	6.30	74.8	13.790	115/208-230	1;3;9;42
1.5	1.1	3600	56C	00156XS1C56C	\$1,274	XF	38	1.00	7.80	80.0	14.040	208-230	1;3;9;42
		1800	56HC	00158XS1C56HC	\$1,420	XF	48	1.00	7.80	80.0	15.420	208-230	1;3;9;42
2	1.5	3600	56HC	00236XS1C56HC	\$1,457	XF	43	1.00	9.80	81.1	14.540	208-230	1;3;9;42

Fractional Motors

Refer to electrical and mechanical data sections for additional technical information. Please refer to back cover for description of "NOTES"

For detailed specifications, data sheets, drawings and performance curves visit <http://www.weg.net>



Foot Mount

HP	kW	RPM	Frame	Catalog Number	List Price	Mult. Symbol	Approx. Shipping Weight (lbs)	Service Factor	FL Amps @ High	FL. Eff (%)	"C" Dimension (in)	Voltage (V)	Notes
0.33	0.25	3600	56	.3336XS3E56	\$650	XF	21	1.00	0.60	69.8	10.520	230/460	1;3;9;42
		1800	56	.3318XS3E56	\$713	XF	23	1.00	0.60	76.7	10.520	230/460	1;3;9;17;42
0.5	0.37	3600	56	.5036XS3E56	\$782	XF	24	1.00	0.90	73.1	11.790	230/460	1;3;9;42
		1800	56	.5018XS3E56	\$741	XF	27	1.00	0.85	79.1	11.920	230/460	1;3;9;42
0.75	0.55	3600	56	.7536XS3E56	\$815	XF	25	1.00	1.20	77.1	11.790	230/460	1;3;9;42
		1800	56	.7518XS3E56	\$817	XF	28	1.00	1.40	78.6	12.290	230/460	1;3;9;42
1	0.75	3600	56	00136XT3E56	\$858	XF	27	1.00	1.60	77.0	11.920	230/460	1;3;9;42
		1800	56	00118XT3E56	\$922	XF	31	1.00	1.60	85.5	13.660	230/460	1;3;9;42
1.5	1.1	3600	56	00156XT3E56	\$1,050	XF	30	1.00	2.10	84.0	12.780	230/460	1;3;9;42
		1800	56H	00158XT3E56H	\$1,003	XF	41	1.00	2.10	86.5	14.540	230/460	1;3;9;42
2	1.5	3600	56H	00236XT3E56H	\$1,171	XF	35	1.00	2.70	85.5	14.040	230/460	1;3;9;42
		1800	56H	00218XT3E56H	\$1,090	XF	48	1.00	2.70	86.5	15.040	230/460	1;3;9;42



C-Face - Foot Mount

HP	kW	RPM	Frame	Catalog Number	List Price	Mult. Symbol	Approx. Shipping Weight (lbs)	Service Factor	FL Amps @ High	FL. Eff (%)	"C" Dimension (in)	Voltage (V)	Notes
0.33	0.25	3600	56C	.3336XS3E56C	\$821	XF	21	1.00	0.60	69.8	10.520	208-230/460	1;3;9;42
		1800	56C	.3318XS3E56C	\$877	XF	23	1.00	0.60	76.7	10.520	208-230/460	1;3;9;17;42
0.5	0.37	3600	56C	.5036XS3E56C	\$856	XF	24	1.00	0.90	73.1	11.790	208-230/460	1;3;9;42
		1800	56C	.5018XS3E56C	\$926	XF	27	1.00	0.85	79.1	11.920	208-230/460	1;3;9;42
0.75	0.55	3600	56C	.7536XS3E56C	\$884	XF	25	1.00	1.20	77.1	11.790	208-230/460	1;3;9;42
		1800	56C	.7518XS3E56C	\$944	XF	28	1.00	1.40	78.6	12.290	208-230/460	1;3;9;42
1	0.75	3600	56C	00136XT3E56C	\$924	XF	27	1.00	1.60	77.0	11.920	230/460	1;3;9;42
		1800	56C	00118XT3E56C	\$1,007	XF	31	1.00	1.60	82.2	13.660	230/460	1;3;9;42
1.5	1.1	3600	56C	00156XT3E56C	\$1,038	XF	30	1.00	2.10	84.0	12.780	230/460	1;3;9;42
		1800	56HC	00158XT3E56HC	\$1,011	XF	41	1.00	2.10	86.5	14.540	230/460	1;3;9;42
2	1.5	3600	56HC	00236XT3E56HC	\$1,125	XF	35	1.00	2.70	85.5	14.040	230/460	1;3;9;42
		1800	56HC	00218XT3E56HC	\$1,162	XF	48	1.00	2.70	86.5	15.040	230/460	1;3;9;42

Please refer to back cover for description of "NOTES"

For detailed specifications, data sheets, drawings and performance curves visit <http://www.weg.net>

Data subject to change without notice.

Can't find what you are looking for? Call 1-800-ASK-4WEG (275-4934)

COMMERCIAL HVAC MOTORS

TEFC – Single-Phase – Foot Mount	A-160
TEAO – Single-Phase – Resilient Base	A-160
TEAO – Single-Phase – Foot Mount	A-160
ODP – Single-Phase – Foot Mount	A-161
ODP – Single-Phase – Resilient Base	A-162
ODP – Three-Phase – Resilient Base	A-163
ODP – Single-Phase – Evaporative Cooler	A-163

HVAC MOTORS - WITH INTERNAL AEGIS® SGR

TEFC – Three-Phase – Foot Mount	A-164
ODP – Three-Phase – Foot Mount	A-168

COOLING TOWER MOTORS – THREE-PHASE

TEFC – Three-Phase – Foot Mount – NEMA Premium®	A-172
TEAO – Three-Phase – Foot Mount – NEMA Premium®	A-175
TEFC – Three-Phase – Double Speed (1 & 2 Windings) – High Efficiency	A-177

PAD MOUNT MOTORS – Three-Phase

TEAO – NEMA Premium®	A-181
----------------------	-------

Air Handling Motors

COMMERCIAL HVAC MOTORS

TEFC and ODP – Single Phase

High Starting Torque makes these motors ideal for a wide range of applications.

Standard Features:

- Ball bearings
- Class F insulation



Features that make a difference:

- High Starting Torque
- TEFC motors are rated IP55 (gasketed conduit box and capacitor cover)



TEFC and ODP – Three Phase

Features that make a difference:

- New ventilation system for improved thermal performance
- Robust feet design suitable for tougher applications
- New and more robust eyebolts design (frames 182/4T and up) plus a second eyebolt on non-drive end allowing vertical lifting capability (frames 213/5T and 254/6T)
- Oversized diagonally split aluminum terminal box that exceeds IP55 requirements
- Terminal box rotatable in 90 degree increments for flexibility during installation
- Color coded leads as standard for easy wiring - (rolled steel only)
- Regreasable ball bearings on 254/6T frame as standard (optional for 182/4T and 213/5T)
- IP55 Ingress Protection as standard, being appropriate for severe environments - (TEFC only)
- Bearing cap as standard on flanged motors, optional on non flanged
- Suitable for VFD operation as per NEMA MG1 part 31.4.4.2
- Motor frame painting system 500 hours salt spray resistant



Air Handling Motors

COMMERCIAL HVAC MOTORS



TEFC - Single-Phase - Foot Mount

HP	kW	RPM	Frame	Catalog Number	List Price	Mult. Symbol	Approx. Shipping Weight (lbs)	Service Factor	FL Amps @ High	FL. Eff (%)	"C" Dimension (in)	Voltage (V)	Notes
0.25	0.18	3600	W56	.2536ES1BW56-S	\$257	F1	20	1.15	2.10	50.0	10.713	115/208-230	9
		1800	W56	.2518ES1BW56-S	\$267	F1	20	1.15	2.30	57.0	11.106	115/208-230	9
0.33	0.25	3600	W56	.3336ES1BW56-S	\$267	F1	23	1.15	2.60	54.0	11.106	115/208-230	9
		1800	W56	.3318ES1BW56-S	\$283	F1	22	1.15	3.00	61.0	11.500	115/208-230	9
0.5	0.37	3600	W56	.5036ES1BW56-S	\$284	F1	24	1.15	3.50	60.0	11.500	115/208-230	9
		3600	W56	.5036ES1B0LW56-S	\$316	F1	24	1.15	3.50	60.0	11.500	115/208-230	4;9
		1800	W56	.5018ES1BW56-S	\$312	F1	24	1.15	4.00	64.0	11.894	115/208-230	9
		1200	W56	.5012ES1B56-S	\$512	F1	38	1.15	3.20	71.0	13.508	115/208-230	9
0.75	0.55	3600	56	.7536ES1B0L56-S	\$329	F1	31	1.15	4.00	66.0	12.721	115/208-230	4;9
		3600	56	.7536ES1B56-S	\$297	F1	31	1.15	4.00	66.0	12.721	115/208-230	9
		1800	56	.7518ES1B56-S	\$348	F1	33	1.15	5.30	68.5	13.114	115/208-230	9
		1200	56H	.7512ES1B56-S	\$648	F1	44	1.15	4.70	70.0	14.295	115/208-230	9
1	0.75	3600	56	00136ES1B0L56-S	\$408	F1	35	1.15	5.10	70.0	13.114	115/208-230	4;9
		3600	56	00136ES1B56-S	\$376	F1	34	1.15	5.10	70.0	13.114	115/208-230	9
		1800	56	00118ES1B56-S	\$401	F1	39	1.15	6.80	71.0	13.902	115/208-230	9
1.5	1.1	3600	56	00156ES1B56-S	\$432	F1	39	1.15	6.60	75.0	13.902	115/208-230	9
		3600	56	00156ES1B0L56-S	\$463	F1	39	1.15	6.60	75.0	13.902	115/208-230	4;9
		1800	56H	00158ES1B56-S	\$456	F1	40	1.15	7.50	77.0	15.083	115/208-230	9
2	1.5	3600	56H	00236ES1B0L56-S	\$592	F1	44	1.15	8.70	77.0	14.295	115/208-230	4;9
		3600	56H	00236ES1B56-S	\$561	F1	44	1.15	8.70	77.0	14.295	115/208-230	9



TEAO - Single-Phase - Resilient Base

HP	kW	RPM	Frame	Catalog Number	List Price	Mult. Symbol	Approx. Shipping Weight (lbs)	Service Factor	FL Amps @ High	FL. Eff (%)	"C" Dimension (in)	Voltage (V)	Notes
0.33	0.25	1800	48	.3318ES1BRBPFC48	\$325	G1	27	1.25	3.00	64.0	11.339	115/208-230	3;9;13;16
0.5	0.37	1800	C56	.5018ES1BRBPFC56	\$350	G1	29	1.25	4.20	65.0	11.732	115/208-230	3;9;13;16
0.75	0.55	1800	B56	.7518ES1BRBPF56	\$433	G1	35	1.25	5.60	70.0	11.811	115/208-230	3;9;13
1	0.75	1800	D56	00118ES1BRBPF56	\$469	G1	42	1.15	7.00	72.0	12.992	115/208-230	3;9;13



TEAO - Single-Phase - Foot Mount

HP	kW	RPM	Frame	Catalog Number	List Price	Mult. Symbol	Approx. Shipping Weight (lbs)	Service Factor	FL Amps @ High	FL. Eff (%)	"C" Dimension (in)	Voltage (V)	Notes
0.33	0.25	1800	48	.3318ES1BPFC48	\$311	G1	23	1.25	3.00	64.0	10.748	115/208-230	3;9;16
0.5	0.37	1800	C56	.5018ES1BPFC56	\$336	G1	26	1.25	4.20	65.0	11.102	115/208-230	3;9;16
0.75	0.55	1800	B56	.7518ES1BPF56	\$414	G1	31	1.25	5.60	70.0	11.102	115/208-230	3;9
1	0.75	1800	D56	00118ES1BPF56	\$449	G1	41	1.15	7.00	72.0	12.283	115/208-230	3;9

Please refer to back cover for description of "NOTES"

For detailed specifications, data sheets, drawings and performance curves visit <http://www.weg.net>



Air Handling Motors

COMMERCIAL HVAC MOTORS

ODP - Single-Phase - Foot Mount

HP	kW	RPM	Frame	Catalog Number	List Price	Mult. Symbol	Approx. Shipping Weight (lbs)	Service Factor	FL Amps @ High	FL. Eff (%)	"C" Dimension (in)	Voltage (V)	Notes
0.12	0.09	1800	48	.12180S1B48-S	\$201	F1B	18	1.40	1.40	50.0	9.098	115/208-230	9
		3600	48	.16360S1B48-S	\$216	F1B	21	1.35	1.40	53.0	9.098	115/208-230	9
0.16	0.12	1800	48	.16180S1B48-S	\$208	F1B	22	1.35	1.70	53.0	9.098	115/208-230	9
		3600	48	.25360T1B48-S	\$253	F2B	19	1.35	1.30	66.6	9.492	115/208-230	9
0.25	0.18	3600	W56	.25360T1BW56-S	\$253	F2B	19	1.35	1.30	66.6	9.866	115/208-230	9
		1800	48	.25180T1B48-S	\$241	F2B	18	1.35	1.60	68.5	9.492	115/208-230	9
		1800	W56	.25180T1BW56-S	\$241	F2B	19	1.35	1.60	68.5	9.866	115/208-230	9
		3600	48	.33360T1B48-S	\$256	F2B	23	1.35	1.60	70.5	9.886	115/208-230	9
0.33	0.25	3600	W56	.33360T1BW56-S	\$257	F2B	23	1.35	1.60	70.5	10.260	115/208-230	9
		1800	48	.33180T1B48-S	\$275	F2B	20	1.35	2.10	72.4	9.886	115/208-230	9
		1800	W56	.33180T1BW56-S	\$275	F2B	21	1.35	2.10	72.4	10.260	115/208-230	9
		3600	48	.50360T1B48-S	\$276	F2B	23	1.25	2.40	72.4	9.886	115/208-230	9
0.5	0.37	3600	W56	.50360T1BW56-S	\$282	F2B	24	1.25	2.40	72.4	10.260	115/208-230	9
		1800	48	.50180T1B48-S	\$318	F2B	23	1.25	2.80	76.2	10.280	115/208-230	9
		1800	W56	.50180T1BW56-S	\$307	F2B	23	1.25	2.80	76.2	10.654	115/208-230	9
		3600	56	.75360T1B56-S	\$320	F2B	30	1.25	3.40	76.2	11.890	115/208-230	9
0.75	0.55	1800	56	.75180T1B56-S	\$387	F2B	38	1.25	3.40	81.8	11.890	115/208-230	9
		3600	56	001360T1B56-S	\$347	F2B	35	1.25	4.30	80.4	11.890	115/208-230	9
1	0.75	1800	56	001180T1B56-S	\$421	F2B	41	1.15	4.50	82.6	12.677	115/208-230	9
		1800	56	001180T1B056-S	\$438	F2B	41	1.15	4.50	82.6	12.677	115/208-230	3;9
		3600	56	001560T1B56-S	\$393	F2B	38	1.15	6.20	81.5	12.284	115/208-230	9
1.5	1.1	1800	56H	001580T1B56-S	\$523	F2B	49	1.15	6.80	83.8	13.071	115/208-230	9
		1800	56H	001580T1B056-S	\$541	F2B	50	1.15	6.80	83.8	13.465	115/208-230	3;9
		3600	56H	002360T1B56-S	\$485	F2B	43	1.15	8.40	82.9	12.677	115/208-230	9
2	1.5	1800	56H	002180T1B56-S	\$626	F2B	54	1.15	9.30	84.5	13.465	115/208-230	9
		3600	56H	003360T1B56-S	\$568	F2B	52	1.15	12.2	84.1	13.465	115/208-230	9

Air Handling Motors

Please refer to back cover for description of "NOTES"

For detailed specifications, data sheets, drawings and performance curves visit <http://www.weg.net>

Data subject to change without notice.

Can't find what you are looking for? Call 1-800-ASK-4WEG (275-4934)

A-161

Air Handling Motors

COMMERCIAL HVAC MOTORS



ODP - Single-Phase - Resilient Base

HP	kW	RPM	Frame	Catalog Number	List Price	Mult. Symbol	Approx. Shipping Weight (lbs)	Service Factor	FL Amps @ High	FL. Eff (%)	"C" Dimension (in)	Voltage (V)	Notes
0.16	0.12	1800	48Z	.16180S1ASPRB048Z-S	\$272	F1B	21	1.35	3.00	50.5	10.138	115	3;9;13;16
		1800	48Z	.16180S1ASPRB48Z-S	\$260	F1B	21	1.35	3.00	50.5	10.138	115	9;13;16
0.25	0.18	1800	48Z	.25180S1BSPRB048Z-S	\$274	F1B	22	1.35	2.10	55.0	10.138	115/208-230	3;9;13;16
		1800	48Z	.25180S1ASPRB048Z-S	\$274	F1B	22	1.35	4.30	55.0	10.138	115	3;9;13;16
		1800	48Z	.25180S1ASPRB48Z-S	\$262	F1B	22	1.35	4.30	55.0	10.138	115	9;13;16
		1800	W56	.25180S1BRBFBOW56-S	\$283	F1B	18	1.35	2.30	57.0	10.138	115/208-230	3;9;13;42
		1800	W56	.25180S1BRBFBW56-S	\$271	F1B	18	1.35	2.30	57.0	10.138	115/208-230	9;13;42
0.33	0.25	1800	48Z	.33180S1BSPRB048Z-S	\$284	F1B	24	1.35	2.60	60.8	10.138	115/208-230	3;9;13;16
		1800	48Z	.33180S1BSPRB48Z-S	\$272	F1B	24	1.35	2.60	60.8	10.138	115/208-230	9;13;16
		1800	W56	.33180S1BSPRBOW56-S	\$288	F1B	25	1.35	2.60	62.0	10.138	115/208-230	3;9;13;16
		1800	W56	.33180S1BSPRBW56-S	\$276	F1B	25	1.35	2.60	62.0	10.138	115/208-230	9;13;16
		1800	W56	.33180S1BRBFBW56-S	\$281	F1B	20	1.35	3.10	60.0	10.531	115/208-230	9;13;42
		1800	W56	.33180S1BRBFBOW56-S	\$293	F1B	20	1.35	3.10	60.0	10.531	115/208-230	3;9;13;42
		1800	W56	.33180T1BRBOW56-S	\$325	F2B	24	1.35	2.10	72.4	10.925	115/208-230	3;9;13
		1800	48Z	.50180S1BSPRB048Z-S	\$311	F1B	29	1.25	3.70	63.5	10.925	115/208-230	3;9;13;16
0.5	0.37	1800	48Z	.50180S1BSPRB48Z-S	\$299	F1B	29	1.25	3.70	63.5	10.925	115/208-230	9;13;16
		1800	W56	.50180S1BRBFBOW56-S	\$325	F1B	21	1.25	4.10	63.0	10.925	115/208-230	3;9;13;42
		1800	W56	.50180S1BRBFBW56-S	\$313	F1B	21	1.25	4.10	63.0	10.925	115/208-230	9;13;42
		1800	W56	.50180S1BSPRBOW56-S	\$316	F1B	30	1.25	3.70	63.5	10.945	115/208-230	3;9;13;16
		1800	W56	.50180S1BSPRBW56-S	\$304	F1B	30	1.25	3.70	63.5	10.945	115/208-230	9;13;16
		1800	W56	.50180T1BRBOW56-S	\$368	F2B	26	1.25	2.75	76.2	11.319	115/208-230	3;9;13
		1800	W56	.75180S1BRBFBOW56-S	\$379	F1B	23	1.25	5.30	69.0	12.008	115/208-230	3;9;13;42
0.75	0.55	1800	W56	.75180S1BRBFBW56-S	\$367	F1B	23	1.25	5.30	69.0	12.008	115/208-230	9;13;42
		1800	56	.75180T1BRB056-S	\$434	F2B	38	1.25	3.40	81.8	12.402	115/208-230	3;9;13
		1800	W56	001180S1BRBFBOW56-S	\$408	F1B	25	1.15	6.80	71.0	12.402	115/208-230	3;9;13;42
1	0.75	1800	W56	001180S1BRBFBW56-S	\$396	F1B	25	1.15	6.80	71.0	12.402	115/208-230	9;13;42
		1800	56	001180T1BRB056-S	\$468	F2B	43	1.15	4.50	82.6	13.189	115/208-230	3;9;13
		3600	56	001560T1BRB056-S	\$450	F2B	39	1.15	6.20	81.5	12.795	115/208-230	3;9;13
1.5	1.1	1800	56H	001580T1BRB056-S	\$570	F2B	50	1.15	6.80	83.8	13.583	115/208-230	3;9;13
		2	1.5	1800	56H	002180T1BRB056H-S	\$616	F2B	57	1.15	9.30	84.5	14.373



ODP - Three-Phase - Resilient Base

HP	kW	RPM	Frame	Catalog Number	List Price	Mult. Symbol	Approx. Shipping Weight (lbs)	Service Factor	FL Amps @ High	FL. Eff (%)	"C" Dimension (in)	Voltage (V)	Notes
0.33	0.25	1800	56	.33180T3ERB56-S	\$314	F2B	22	1.35	0.67	73.4	10.827	230/460	9;13
0.5	0.37	1800	56	.50180T3ERB56-S	\$354	F2B	25	1.25	0.86	78.2	11.220	230/460	9;13
0.75	0.55	1800	56	.75180T3ERB56-S	\$388	F2B	28	1.25	1.15	81.1	11.614	230/460	9;13
1	0.75	1800	56	001180T3ERB56-S	\$408	F2B	31	1.15	1.57	83.5	12.008	230/460	9;13
1.5	1.1	1800	56H	001580T3ERB56-S	\$419	F2B	42	1.15	2.10	86.5	13.189	230/460	9;13



ODP - Single-Phase - Evaporative Cooler

HP	kW	RPM	Frame	Catalog Number	List Price	Mult. Symbol	Approx. Shipping Weight (lbs)	Service Factor	FL Amps @ High	FL. Eff (%)	"C" Dimension (in)	Voltage (V)	Notes
0.33	0.25	1800	56	.33180S1AEC56	\$156	F1B	19	1.00	6.60	49.8	9.530	115	1;3;9;16
0.33/0.11	0.25/0.08	1800/1200	56	.33820S1AEC56	\$188	F1B	21	1.00	6.60/3.70	49.8/33.6	9.530	115	1;3;9;16
0.5	0.37	1800	56	.50180S1AEC56	\$164	F1B	21	1.00	8.20	58.0	9.530	115	1;3;9;16
		1800	56	.50180S1DEC56	\$166	F1B	21	1.00	4.80	54.0	9.530	240	1;3;9;16
0.5/0.16	0.37/0.12	1800/1200	56	.50820S1AEC56	\$199	F1B	24	1.00	8.20/4.60	58.0/42.4	9.530	115	1;3;9
		1800/1200	56	.50820S1DEC56	\$220	F1B	24	1.00	4.80/2.10	54.0/39.6	9.530	240	1;3;9
0.75	0.55	1800	56	.75180S1AEC56	\$201	F1B	24	1.00	10.40	61.9	9.530	115	1;3;9
		1800	56	.75180S1DEC56	\$201	F1B	28	1.00	5.50	59.2	9.530	240	1;3;9
0.75/0.25	0.55/0.18	1800/1200	56	.75820S1AEC56	\$251	F1B	26	1.00	10.4/5.50	61.9/42.8	9.530	115	1;3;9
		1800/1200	56	.75820S1DEC56	\$267	F1B	27	1.00	5.50/2.60	59.0/47.4	9.530	240	1;3;9
1/0.33	0.75/0.25	1800/1200	56	001820S1AEC56	\$364	F1B	32	1.00	12.1/7.10	65.1/49.1	10.960	115	1;3;9
		1800/1200	56	001820S1DEC56	\$389	F1B	33	1.00	6.45/3.06	66.7/51.1	10.960	240	1;3;9

Air Handling Motors

Please refer to back cover for description of "NOTES"

For detailed specifications, data sheets, drawings and performance curves visit <http://www.weg.net>

Data subject to change without notice.

Can't find what you are looking for? Call 1-800-ASK-4WEG (275-4934)

Air Handling Motors

HVAC MOTORS - WITH INTERNAL AEGIS® SGR



TEFC - Three-Phase - Foot Mount and Foot Mount with C-Face

HP	kW	RPM	Frame	Catalog Number	List Price	Mult. Symbol	Approx. Shipping Weight (lbs)	Service Factor	FL Amps @ High	FL. Eff (%)	"C" Dimension (in)	Voltage (V)	Notes
1	0.75	3600	143/5T	00136ET3E143T-SG	\$560	RSP	31	1.15	1.40	78.5	13.189	230/460	9;34
		3600	143/5T	00136ET3H143T-SG	\$560	RSP	31	1.15	1.10	78.5	13.189	575	9;34
		1800	143/5T	00118ET3E143T-SG	\$599	RSP	42	1.15	1.50	85.5	13.583	230/460	9;34
		1800	143/5T	00118ET3H143T-SG	\$599	RSP	42	1.15	1.20	85.5	13.583	575	9;34
		1800	143/5T	00118ET3V143T-SG	\$599	RSP	42	1.15	1.70	85.5	13.583	200/400	9;34
		1200	143/5T	00112ET3E145T-SG	\$669	RSP	43	1.15	1.60	82.5	13.583	230/460	9;34
		1200	143/5T	00112ET3H145T-SG	\$669	RSP	43	1.15	1.30	82.5	13.583	575	9;34
1.5	1.1	3600	143/5T	00156ET3E143T-SG	\$613	RSP	39	1.15	1.90	84.0	13.189	230/460	9;34
		3600	143/5T	00156ET3H143T-SG	\$613	RSP	39	1.15	1.50	84.0	13.189	575	9;34
		1800	143/5T	00158ET3E145T-SG	\$620	RSP	43	1.15	2.00	86.5	13.583	230/460	9;34
		1800	143/5T	00158ET3H145T-SG	\$620	RSP	43	1.15	1.60	86.5	13.583	575	9;34
		1800	143/5T	00158ET3V145T-SG	\$620	RSP	43	1.15	2.30	86.5	13.583	200/400	9;34
		1200	182/4T	00152ET3E182T-SG	\$826	RSP	76	1.15	2.20	87.5	16.339	230/460	9;34
		1200	182/4T	00152ET3H182T-SG	\$826	RSP	76	1.15	1.80	87.5	16.339	575	9;34
2	1.5	3600	143/5T	00236ET3E145T-SG	\$654	RSP	45	1.15	2.50	85.5	13.976	230/460	9;34
		3600	143/5T	00236ET3H145T-SG	\$654	RSP	45	1.15	2.00	85.5	13.976	575	9;34
		1800	143/5T	00218ET3E145T-SG	\$673	RSP	47	1.15	2.70	86.5	13.976	230/460	9;34
		1800	143/5T	00218ET3H145T-SG	\$673	RSP	47	1.15	2.20	86.5	13.976	575	9;34
		1800	143/5T	00218ET3V145T-SG	\$673	RSP	47	1.15	3.10	86.5	13.976	200/400	9;34
		1200	182/4T	00212ET3E184T-SG	\$883	RSP	86	1.15	3.00	88.5	17.126	230/460	9;34
		1200	182/4T	00212ET3H184T-SG	\$883	RSP	86	1.15	2.40	88.5	17.126	575	9;34
3	2.2	3600	182/4T	00336ET3E182T-SG	\$835	RSP	73	1.15	3.70	86.5	16.339	230/460	9;34
		3600	182/4T	00336ET3H182T-SG	\$835	RSP	73	1.15	3.00	86.5	16.339	575	9;34
		1800	182/4T	00318ET3E182T-SG	\$747	RSP	87	1.15	3.80	89.5	17.913	230/460	9;34
		1800	182/4TC	00318ET3E182TC-SG	\$780	RSP	87	1.15	3.80	89.5	17.913	230/460	9;34
		1800	182/4T	00318ET3H182T-SG	\$747	RSP	87	1.15	3.00	89.5	17.913	575	9;34
		1800	182/4T	00318ET3V182T-SG	\$747	RSP	87	1.15	4.40	89.5	17.913	200/400	9;34
		1200	213/5T	00312ET3E213T-SG	\$1,183	RSP	134	1.15	4.20	89.5	19.291	230/460	9;34
		1200	213/5T	00312ET3H213T-SG	\$1,183	RSP	134	1.15	3.40	89.5	19.291	575	9;34
5	3.7	3600	182/4T	00536ET3E184T-SG	\$930	RSP	85	1.15	5.90	88.5	17.913	230/460	9;34
		3600	182/4TC	00536ET3E184TC-SG	\$963	RSP	98	1.15	5.90	88.5	17.913	230/460	9;34
		3600	182/4T	00536ET3H184T-SG	\$930	RSP	85	1.15	4.70	88.5	17.913	575	9;34
		1800	182/4T	00518ET3E184T-SG	\$842	RSP	81	1.15	6.50	89.5	17.913	230/460	9;34
		1800	182/4TC	00518ET3E184TC-SG	\$876	RSP	81	1.15	6.50	89.5	17.913	230/460	9;34
		1800	182/4T	00518ET3H184T-SG	\$842	RSP	81	1.15	5.20	89.5	17.913	575	9;34
		1800	182/4T	00518ET3V184T-SG	\$842	RSP	81	1.15	7.50	89.5	17.913	200/400	9;34
		1200	213/5T	00512ET3E215T-SG	\$1,360	RSP	153	1.15	6.70	89.5	20.079	230/460	9;34
		1200	213/5T	00512ET3H215T-SG	\$1,360	RSP	153	1.15	5.40	89.5	20.079	575	9;34

continued on next page

Air Handling Motors

Please refer to back cover for description of "NOTES"

For detailed specifications, data sheets, drawings and performance curves visit <http://www.weg.net>



TEFC - Three-Phase - Foot Mount and Foot Mount with C-Face - continued

HP	kW	RPM	Frame	Catalog Number	List Price	Mult. Symbol	Approx. Shipping Weight (lbs)	Service Factor	FL Amps @ High	FL. Eff (%)	"C" Dimension (in)	Voltage (V)	Notes
7.5	5.5	3600	213/5T	00736ET3E213T-SRG	\$1,298	RSP	143	1.15	8.67	89.5	18.897	230/460	9;34
		3600	213/5T	00736ET3E213T-SG	\$1,180	RSP	143	1.15	8.70	89.5	20.079	230/460	9;34
		3600	213/5TC	00736ET3E213TC-SG	\$1,225	RSP	145	1.15	8.70	89.5	20.079	230/460	9;34
		3600	213/5T	00736ET3H213T-SG	\$1,180	RSP	143	1.15	7.00	89.5	20.079	575	9;34
		1800	213/5T	00718ET3E213T-SG	\$1,148	RSP	131	1.15	9.10	91.7	18.898	230/460	9;34
		1800	213/5TC	00718ET3E213TC-SG	\$1,194	RSP	140	1.15	9.10	91.7	18.898	230/460	9;34
		1800	213/5T	00718ET3H213T-SG	\$1,148	RSP	131	1.15	7.30	91.7	18.898	575	9;34
		1800	213/5T	00718ET3V213T-SG	\$1,148	RSP	131	1.15	10.5	91.7	18.898	200/400	9;34
		1200	254/6T	00712ET3E254T-SG	\$2,079	RSP	232	1.15	10.0	91.0	22.559	230/460	9;34
		1200	254/6T	00712ET3H254T-SG	\$2,079	RSP	232	1.15	8.00	91.0	22.559	575	9;34
10	7.5	3600	213/5T	01036ET3E215T-SRG	\$1,496	RSP	178	1.15	11.5	90.2	19.291	230/460	9;34
		3600	213/5T	01036ET3E215T-SG	\$1,360	RSP	178	1.15	11.5	90.2	21.654	230/460	9;34
		3600	213/5TC	01036ET3E215TC-SG	\$1,405	RSP	178	1.15	11.5	90.2	21.654	230/460	9;34
		3600	213/5T	01036ET3H215T-SG	\$1,360	RSP	178	1.15	9.20	90.2	21.654	575	9;34
		1800	213/5T	01018ET3E215T-SG	\$1,310	RSP	141	1.15	12.2	91.7	19.291	230/460	9;34
		1800	213/5TC	01018ET3E215TC-SG	\$1,354	RSP	151	1.15	12.2	91.7	19.291	230/460	9;34
		1800	213/5T	01018ET3H215T-SG	\$1,310	RSP	141	1.15	9.80	91.7	19.291	575	9;34
		1800	213/5T	01018ET3V215T-SG	\$1,310	RSP	141	1.15	14.0	91.7	19.291	200/400	9;34
		1200	254/6T	01012ET3E256T-SG	\$2,368	RSP	263	1.15	13.8	91.0	23.346	230/460	9;34
		1200	254/6T	01012ET3H256T-SG	\$2,368	RSP	263	1.15	11.0	91.0	23.346	575	9;34
15	11	3600	254/6T	01536ET3E254T-SG	\$1,869	RSP	216	1.15	17.4	91.0	22.559	230/460	9;34
		3600	254/6TC	01536ET3E254TC-SG	\$1,929	RSP	216	1.15	17.4	91.0	22.559	230/460	9;34
		3600	254/6T	01536ET3H254T-SG	\$1,869	RSP	216	1.15	13.9	91.0	22.559	575	9;34
		1800	254/6T	01518ET3E254T-SG	\$1,890	RSP	234	1.15	18.2	92.4	22.559	230/460	9;34
		1800	254/6TC	01518ET3E254TC-SG	\$1,950	RSP	248	1.15	18.2	92.4	22.559	230/460	9;34
		1800	254/6T	01518ET3H254T-SG	\$1,890	RSP	234	1.15	14.6	92.4	22.559	575	9;34
		1800	254/6T	01518ET3V254T-SG	\$1,890	RSP	234	1.15	20.9	92.4	22.559	200/400	9;34
		1200	284/6TS	01512ET3E284TS-W22G	\$3,601	N1	360	1.25	17.9	91.7	26.557	230/460	34
		1200	284/6T	01512ET3E284T-W22G	\$3,601	N1	422	1.25	17.9	91.7	27.929	230/460	34
		1200	284/6TS	01512ET3H284TS-W22G	\$3,601	N1	360	1.25	14.3	91.7	26.557	575	34
20	15	3600	254/6T	02036ET3E256T-SG	\$2,356	RSP	242	1.15	22.7	91.0	23.346	230/460	9;34
		3600	254/6TC	02036ET3E256TC-SG	\$2,416	RSP	245	1.15	22.7	91.0	23.346	230/460	9;34
		3600	254/6T	02036ET3H256T-SG	\$2,356	RSP	242	1.15	18.2	91.0	23.346	575	9;34
		1800	254/6T	02018ET3E256T-SG	\$2,198	RSP	265	1.15	24.7	92.4	23.346	230/460	9;34
		1800	254/6TC	02018ET3E256TC-SG	\$2,258	RSP	279	1.15	24.7	93.0	23.346	230/460	9;34
		1800	254/6T	02018ET3H256T-SG	\$2,198	RSP	265	1.15	19.8	93.0	23.346	575	9;34
		1800	254/6T	02018ET3V256T-SG	\$2,198	RSP	265	1.15	28.4	93.0	23.346	200/400	9;34
		1200	284/6T	02012ET3E286T-W22G	\$4,272	N1	449	1.25	24.2	91.7	27.929	230/460	34
		1200	284/6T	02012ET3H286T-W22G	\$4,272	N1	450	1.25	19.4	91.7	27.929	575	34
		1200	284/6TS	02536ET3E284TS-W22G	\$3,308	N1	406	1.25	28.5	91.7	26.557	230/460	34
25	18.5	3600	284/6TS	02536ET3H284TS-W22G	\$3,308	N1	400	1.25	22.8	91.7	26.557	575	34
		1800	284/6T	02518ET3E284T-W22G	\$3,053	N1	440	1.25	29.5	93.6	27.929	230/460	34
		1800	284/6T	02518ET3H284T-W22G	\$3,053	N1	439	1.25	23.6	93.6	27.929	575	34
		1800	284/6T	02518ET3V284T-W22G	\$3,053	N1	440	1.25	33.9	93.6	27.929	200/400	34
		1200	324/6T	02512ET3E324T-W22G	\$5,137	N1	585	1.25	30.4	93.0	31.116	230/460	34
		1200	324/6T	02512ET3H324T-W22G	\$5,137	N1	569	1.25	24.3	93.0	31.116	575	34

continued on next page

Please refer to back cover for description of "NOTES"

For detailed specifications, data sheets, drawings and performance curves visit <http://www.weg.net>

Data subject to change without notice.

Can't find what you are looking for? Call 1-800-ASK-4WEG (275-4934)

TEFC - Three-Phase - Foot Mount and Foot Mount with C-Face - *continued*

HP	kW	RPM	Frame	Catalog Number	List Price	Mult. Symbol	Approx. Shipping Weight (lbs)	Service Factor	FL Amps @ High	FL. Eff (%)	"C" Dimension (in)	Voltage (V)	Notes
30	22	3600	284/6TS	03036ET3E286TS-W22G	\$3,871	N1	425	1.25	33.8	91.7	26.557	230/460	34
		3600	284/6TS	03036ET3H286TS-W22G	\$3,871	N1	430	1.25	27.0	91.7	26.557	575	34
		1800	284/6T	03018ET3E286T-W22G	\$3,533	N1	478	1.25	35.1	93.6	27.929	230/460	34
		1800	284/6TC	03018ET3E286TC-W22G	\$3,632	N1	486	1.25	35.1	93.6	27.929	230/460	34
		1800	284/6T	03018ET3H286T-W22G	\$3,533	N1	476	1.25	28.1	93.6	27.929	575	34
		1800	284/6T	03018ET3V286T-W22G	\$3,533	N1	479	1.25	40.4	93.6	27.929	200/400	34
		1200	324/6T	03012ET3E326T-W22G	\$5,673	N1	629	1.25	36.2	93.0	31.116	230/460	34
		1200	324/6TC	03012ET3E326TC-W22G	\$5,794	N1	621	1.25	36.2	93.0	31.116	230/460	34
		1200	324/6T	03012ET3H326T-W22G	\$5,673	N1	621	1.25	29.0	93.0	31.116	575	34
40	30	3600	324/6TS	04036ET3E324TS-W22G	\$5,125	N1	590	1.25	45.8	92.4	29.616	230/460	34
		3600	324/6TS	04036ET3H324TS-W22G	\$5,125	N1	572	1.25	36.6	92.4	29.616	575	34
		1800	324/6T	04018ET3E324T-W22G	\$4,578	N1	615	1.25	47.1	94.1	31.116	230/460	34
		1800	324/6T	04018ET3H324T-W22G	\$4,578	N1	614	1.25	37.7	94.1	31.116	575	34
		1800	324/6T	04018ET3V324T-W22G	\$4,578	N1	616	1.25	54.2	94.1	31.116	200/400	34
		1200	364/5T	04012ET3E364T-W22G	\$8,124	N1	1004	1.25	46.5	94.1	34.251	230/460	34
		1200	364/5T	04012ET3H364T-W22G	\$8,124	N1	950	1.25	37.2	94.1	34.251	575	34
50	37	3600	324/6TS	05036ET3E326TS-W22G	\$5,716	N1	612	1.25	56.1	93.0	29.616	230/460	34
		3600	324/6TS	05036ET3H326TS-W22G	\$5,716	N1	605	1.25	44.9	93.0	29.616	575	34
		1800	324/6T	05018ET3E326T-W22G	\$5,500	N1	638	1.25	59.2	94.5	31.116	230/460	34
		1800	324/6T	05018ET3H326T-W22G	\$5,500	N1	634	1.25	47.4	94.5	31.116	575	34
		1800	324/6T	05018ET3V326T-W22G	\$5,500	N1	637	1.25	68.1	94.5	31.116	200/400	34
		1200	364/5T	05012ET3E365T-W22G	\$9,358	N1	1021	1.25	57.4	94.1	34.251	230/460	34
		1200	364/5T	05012ET3H365T-W22G	\$9,358	N1	1009	1.25	45.9	94.1	34.251	575	34
		1200	364/5T	05012ET3H405T-W22G	\$11,697	N1	1213	1.25	55.6	94.5	39.730	230/460	34
60	45	3600	364/5TS	06036ET3E364TS-W22G	\$8,392	N1	962	1.25	67.0	93.6	32.338	230/460	34
		3600	364/5TS	06036ET3H364TS-W22G	\$8,392	N1	954	1.25	53.6	93.6	32.338	575	34
		1800	364/5T	06018ET3E364T-W22G	\$8,229	N1	1029	1.25	68.3	95.0	34.251	230/460	34
		1800	364/5T	06018ET3H364T-W22G	\$8,229	N1	1027	1.25	54.6	95.0	34.251	575	34
		1200	404/5T	06012ET3E404T-W22G	\$11,697	N1	1213	1.25	69.5	94.5	39.730	230/460	34
		1200	404/5T	06012ET3H404T-W22G	\$11,697	N1	1213	1.25	55.6	94.5	39.730	575	34
		1200	404/5T	06012ET3H405T-W22G	\$13,258	N1	882	1.25	67.9	94.5	39.730	230/460	34
75	55	3600	364/5TS	07536ET3E365TS-W22G	\$9,931	N1	965	1.25	81.9	93.6	32.338	230/460	34
		3600	364/5TS	07536ET3H365TS-W22G	\$9,931	N1	967	1.25	65.5	93.6	32.338	575	34
		1800	364/5T	07518ET3E365T-W22G	\$9,545	N1	1046	1.25	84.1	95.4	34.251	230/460	34
		1800	364/5TC	07518ET3E365TC-W22G	\$9,988	N1	1041	1.25	84.1	95.4	34.251	230/460	34
		1800	364/5T	07518ET3H365T-W22G	\$9,545	N1	1044	1.25	67.3	95.4	34.251	575	34
		1200	404/5T	07512ET3E405T-W22G	\$13,258	N1	882	1.25	84.9	94.5	39.730	230/460	34
		1200	404/5T	07512ET3H405T-W22G	\$13,258	N1	882	1.25	67.9	94.5	39.730	575	34
		1200	404/5T	07512ET3H405T-W22G	\$13,258	N1	882	1.25	67.9	94.5	39.730	230/460	34
100	75	3600	404/5TS	10036ET3E405TS-W22G	\$13,202	N1	1193	1.25	110	94.1	36.732	230/460	34
		1800	404/5T	10018ET3E405T-W22G	\$12,889	N1	1283	1.25	111	95.4	39.730	230/460	34
		1800	404/5T	10018ET3H405T-W22G	\$12,889	N1	1292	1.25	88.8	95.4	39.730	575	34
		1200	444/5T	10012ET3E444T-W22G	\$17,181	N1	1885	1.25	121	95.0	45.157	230/460	34
		1200	444/5T	10012ET3H444T-W22G	\$17,181	N1	1885	1.25	96.8	95.0	45.157	575	34

continued on next page

Please refer to back cover for description of "NOTES"

For detailed specifications, data sheets, drawings and performance curves visit <http://www.weg.net>



TEFC - Three-Phase - Foot Mount and Foot Mount with C-Face - *continued*

HP	kW	RPM	Frame	Catalog Number	List Price	Mult. Symbol	Approx. Shipping Weight (lbs)	Service Factor	FL Amps @ High	FL. Eff (%)	"C" Dimension (in)	Voltage (V)	Notes
125	90	3600	444/5TS	12536ET3E444TS-W22G	\$16,900	N1	1836	1.15	134	95.0	41.407	230/460	34
		3600	444/5TS	12536ET3H444TS-W22G	\$16,900	N1	1836	1.15	107	95.0	41.407	575	34
		1800	444/5T	12518ET3E444T-W22G	\$16,298	N1	1824	1.15	139	95.4	45.157	230/460	34
		1800	444/5TC	12518ET3E444TC-W22G	\$16,904	N1	1861	1.15	139	95.4	45.157	230/460	34
		1800	444/5T	12518ET3H444T-W22G	\$16,298	N1	1824	1.15	111	95.4	45.157	575	34
		1800	444/5TC	12518ET3G444TC-W22G	\$17,768	N1	1754	1.15	139	95.4	45.157	460	34
		1200	444/5T	12512ET3E445T-W22G	\$19,497	N1	2004	1.15	143	95.0	45.157	230/460	34
		1200	444/5T	12512ET3H445T-W22G	\$19,497	N1	2004	1.15	114	95.0	45.157	575	34
150	110	1800	444/5TC	15018ET3E445TC-W22G	\$19,575	N1	1960	1.15	170	95.8	45.157	230/460	34
		1800	444/5TC	15018ET3G445TC-W22G	19575	N1	1960	1.15	170	95.8	45.157	460	34

Air Handling Motors

Please refer to back cover for description of "NOTES"

For detailed specifications, data sheets, drawings and performance curves visit <http://www.weg.net>

Data subject to change without notice.

Can't find what you are looking for? Call 1-800-ASK-4WEG (275-4934)

Air Handling Motors

HVAC MOTORS - WITH INTERNAL AEGIS® SGR



ODP - Three-Phase - Foot Mount and Foot Mount with C-Face

HP	kW	RPM	Frame	Catalog Number	List Price	Mult. Symbol	Approx. Shipping Weight (lbs)	Service Factor	FL Amps @ High	FL. Eff (%)	"C" Dimension (in)	Voltage (V)	Notes
1	0.75	1800	143/5T	001180T3E143T-SG	\$530	N1S	38	1.15	1.50	85.5	11.181	230/460	9;34
		1800	143/5TC	001180T3E143TC-SG	\$564	N1S	38	1.15	1.50	85.5	11.181	230/460	9;34
		1800	143/5T	001180T3H143T-SG	\$530	N1S	38	1.15	1.20	85.5	11.181	575	9;34
		1800	143/5T	001180T3V143T-SG	\$530	N1S	38	1.15	1.70	85.5	11.181	200/400	9;34
		1200	143/5T	001120T3E145T-SG	\$586	N1S	38	1.15	1.70	82.5	11.181	230/460	9;34
		1200	143/5T	001120T3H145T-SG	\$586	N1S	38	1.15	1.30	82.5	11.181	575	9;34
1.5	1.1	3600	143/5T	001560T3E143T-SG	\$582	N1S	33	1.15	1.90	84.0	11.181	230/460	9;34
		1800	143/5T	001580T3E145T-SG	\$589	N1S	45	1.15	2.10	86.5	12.362	230/460	9;34
		1800	143/5TC	001580T3E145TC-SG	\$623	N1S	45	1.15	2.10	86.5	12.362	230/460	9;34
		1800	143/5T	001580T3H145T-SG	\$589	N1S	45	1.15	1.70	86.5	12.362	575	9;34
		1800	143/5T	001580T3V145T-SG	\$589	N1S	45	1.15	2.40	86.5	12.362	200/400	9;34
		1800	143/5TC	001580T3V145TC-SG	\$623	N1S	45	1.15	2.40	86.5	12.362	200/400	9;34
2	1.5	1200	182/4T	001520T3E182T-SG	\$758	N1S	63	1.15	2.30	86.5	13.976	230/460	9;34
		3600	143/5T	002360T3E145T-SG	\$627	N1S	40	1.15	2.40	85.5	11.969	230/460	9;34
		1800	143/5T	002180T3E145T-SG	\$632	N1S	43	1.15	2.70	86.5	12.362	230/460	9;34
		1800	143/5TC	002180T3E145TC-SG	\$666	N1S	43	1.15	2.70	86.5	12.362	230/460	9;34
		1800	143/5T	002180T3H145T-SG	\$632	N1S	43	1.15	2.20	86.5	12.362	575	9;34
		1800	143/5T	002180T3V145T-SG	\$632	N1S	43	1.15	3.10	86.5	12.362	200/400	9;34
3	2.2	1200	182/4T	002120T3E184T-SG	\$767	N1S	73	1.15	3.00	87.5	14.764	230/460	9;34
		3600	143/5T	003360T3E145T-SG	\$685	N1S	44	1.15	3.60	85.5	12.362	230/460	9;34
		1800	182/4T	003180T3E182T-SG	\$694	N1S	73	1.15	3.90	89.5	15.157	230/460	9;34
		1800	182/4TC	003180T3E182TC-SG	\$732	N1S	73	1.15	3.90	89.5	15.157	230/460	9;34
		1800	182/4T	003180T3H182T-SG	\$694	N1S	73	1.15	3.10	89.5	15.157	575	9;34
		1800	182/4T	003180T3V182T-SG	\$694	N1S	73	1.15	4.40	89.5	15.157	200/400	9;34
		1800	182/4TC	003180T3V182TC-SG	\$732	N1S	73	1.15	4.40	89.5	15.157	200/400	9;34
		1200	213/5T	003120T3E213T-SG	\$975	N1S	113	1.15	4.20	88.5	16.575	230/460	9;34
5	3.7	1200	213/5T	003120T3H213T-SG	\$975	N1S	113	1.15	3.30	88.5	16.575	575	9;34
		3600	182/4T	005360T3E182T-SG	\$821	N1S	61	1.15	6.10	86.5	14.764	230/460	9;34
		3600	182/4TC	005360T3E182TC-SG	\$859	N1S	61	1.15	6.10	86.5	14.764	230/460	9;34
		1800	182/4T	005180T3E184T-SG	\$800	N1S	88	1.15	6.30	89.5	16.339	230/460	9;34
		1800	182/4TC	005180T3E184TC-SG	\$838	N1S	88	1.15	6.30	89.5	16.339	230/460	9;34
		1800	182/4T	005180T3H184T-SG	\$800	N1S	88	1.15	5.10	89.5	16.339	575	9;34
		1800	182/4T	005180T3V184T-SG	\$800	N1S	88	1.15	7.30	89.5	16.339	200/400	9;34
		1800	182/4TC	005180T3V184TC-SG	\$838	N1S	88	1.15	7.30	89.5	16.339	200/400	9;34
1200	213/5T	005120T3E215T-SG	\$1,257	N1S	135	1.15	6.70	89.5	16.969	230/460	9;34		

continued next page



ODP - Three-Phase - Foot Mount and Foot Mount with C-Face - continued

HP	kW	RPM	Frame	Catalog Number	List Price	Mult. Symbol	Approx. Shipping Weight (lbs)	Service Factor	FL Amps @ High	FL. Eff (%)	"C" Dimension (in)	Voltage (V)	Notes
7.5	5.5	3600	182/4T	007360T3E184T-SG	\$1,090	N1S	76	1.15	8.70	88.5	15.157	230/460	9;34
		3600	182/4TC	007360T3E184TC-SG	\$1,128	N1S	76	1.15	8.70	88.5	15.157	230/460	9;34
		1800	213/5T	007180T3E213T-SG	\$1,110	N1S	125	1.15	9.30	91.0	16.575	230/460	9;34
		1800	213/5TC	007180T3E213TC-SG	\$1,161	N1S	125	1.15	9.30	91.0	16.575	230/460	9;34
		1800	213/5T	007180T3H213T-SG	\$1,110	N1S	125	1.15	7.40	91.0	16.575	575	9;34
		1800	213/5T	007180T3V213T-SG	\$1,110	N1S	125	1.15	10.6	91.0	16.575	200/400	9;34
		1800	213/5TC	007180T3V213TC-SG	\$1,161	N1S	125	1.15	10.6	91.0	16.575	200/400	9;34
		1200	254/6T	007120T3E254T-SG	\$1,747	N1S	209	1.15	10.2	90.2	20.472	230/460	9;34
		1200	254/6TC	007120T3E254TC-SG	\$1,815	N1S	209	1.15	10.2	90.2	20.472	230/460	9;34
		1200	254/6T	007120T3H254T-SG	\$1,747	N1S	209	1.15	8.20	90.2	20.472	575	9;34
10	7.5	3600	213/5T	010360T3E213T-SG	\$1,281	N1S	126	1.15	12.0	89.5	16.969	230/460	9;34
		3600	213/5TC	010360T3E213TC-SG	\$1,332	N1S	126	1.15	12.0	89.5	16.969	230/460	9;34
		1800	213/5T	010180T3E215T-SG	\$1,302	N1S	130	1.15	12.4	91.7	16.575	230/460	9;34
		1800	213/5TC	010180T3E215TC-SG	\$1,353	N1S	130	1.15	12.4	91.7	16.575	230/460	9;34
		1800	213/5T	010180T3H215T-SG	\$1,302	N1S	130	1.15	9.90	91.7	16.575	575	9;34
		1800	213/5T	010180T3V215T-SG	\$1,302	N1S	130	1.15	14.3	91.7	16.575	200/400	9;34
		1800	213/5TC	010180T3V215TC-SG	\$1,353	N1S	130	1.15	14.3	91.7	16.575	200/400	9;34
		1200	254/6T	010120T3E256T-SG	\$1,997	N1S	237	1.15	13.9	91.7	20.472	230/460	9;34
		1200	254/6T	010120T3H256T-SG	\$1,997	N1S	237	1.15	11.1	91.7	20.472	575	9;34
15	11	3600	213/5T	015360T3E215T-SG	\$1,692	N1S	141	1.15	17.2	90.2	17.756	230/460	9;34
		3600	213/5TC	015360T3E215TC-SG	\$1,743	N1S	141	1.15	17.2	90.2	17.756	230/460	9;34
		1800	254/6T	015180T3E254T-SG	\$1,757	N1S	211	1.15	18.6	93.0	20.472	230/460	9;34
		1800	254/6TC	015180T3E254TC-SG	\$1,825	N1S	211	1.15	18.6	93.0	20.472	230/460	9;34
		1800	254/6T	015180T3H254T-SG	\$1,757	N1S	211	1.15	14.9	93.0	20.472	575	9;34
		1800	254/6T	015180T3V254T-SG	\$1,757	N1S	211	1.15	21.4	93.0	20.472	200/400	9;34
		1200	284T	015120T3E284T-G	\$2,722	N1B	368	1.15	17.7	91.7	23.386	230/460	34
20	15	3600	254/6T	020360T3E254T-SG	\$2,040	N1S	187	1.15	23.8	91.0	20.472	230/460	9;34
		3600	254/6TC	020360T3E254TC-SG	\$2,108	N1S	187	1.15	23.8	91.0	20.472	230/460	9;34
		1800	254/6T	020180T3E256T-SG	\$2,112	N1S	235	1.15	25.0	93.0	20.472	230/460	9;34
		1800	254/6TC	020180T3E256TC-SG	\$2,180	N1S	235	1.15	25.0	93.0	20.472	230/460	9;34
		1800	254/6T	020180T3H256T-SG	\$2,112	N1S	235	1.15	20.0	93.0	20.472	575	9;34
		1800	254/6T	020180T3V256T-SG	\$2,112	N1S	235	1.15	28.8	93.0	20.472	200/400	9;34
		1800	254/6TC	020180T3V256TC-SG	\$2,180	N1S	235	1.15	28.8	93.0	20.472	200/400	9;34
		1200	286T	020120T3E286T-G	\$3,344	N1B	417	1.15	24.0	92.4	24.882	230/460	34
		25	18.5	3600	254/6T	025360T3E256T-SG	\$2,419	N1S	202	1.15	29.1	91.7	20.472
3600	254/6TC			025360T3E256TC-SG	\$2,487	N1S	202	1.15	29.1	91.7	20.472	230/460	9;34
1800	284T			025180T3E284T-G	\$2,470	N1B	381	1.15	29.9	93.6	23.386	230/460	34
1800	284TC			025180T3E284TC-G	\$2,555	N1B	387	1.15	29.9	93.6	23.386	230/460	34
1800	284T			025180T3H284T-G	\$2,470	N1B	381	1.15	23.9	93.6	23.386	575	34
1800	284T			025180T3V284T-G	\$2,470	N1B	382	1.15	34.4	93.6	23.386	200/400	34
1200	324T			025120T3E324T-G	\$3,919	N1B	504	1.15	30.4	93.0	26.181	230/460	34

continued on next page

Air Handling Motors

Please refer to back cover for description of "NOTES"

For detailed specifications, data sheets, drawings and performance curves visit <http://www.weg.net>

Data subject to change without notice.

Can't find what you are looking for? Call 1-800-ASK-4WEG (275-4934)

ODP - Three-Phase - Foot Mount and Foot Mount with C-Face - *continued*

HP	kW	RPM	Frame	Catalog Number	List Price	Mult. Symbol	Approx. Shipping Weight (lbs)	Service Factor	FL Amps @ High	FL. Eff (%)	"C" Dimension (in)	Voltage (V)	Notes
30	22	3600	284TS	030360T3E284TS-G	\$2,797	N1B	353	1.15	34.7	92.4	22.000	230/460	34
		1800	286T	030180T3E286T-G	\$2,840	N1B	435	1.15	35.4	94.1	24.882	230/460	34
		1800	286TC	030180T3E286TC-G	\$2,925	N1B	441	1.15	35.4	94.1	24.882	230/460	34
		1800	286T	030180T3H286T-G	\$2,840	N1B	434	1.15	28.3	94.1	24.882	575	34
		1800	286T	030180T3V286T-G	\$2,840	N1B	436	1.15	40.7	94.1	24.882	200/400	34
		1200	326T	030120T3E326T-G	\$4,290	N1B	569	1.15	36.0	93.6	27.667	230/460	34
40	30	3600	286TS	040360T3E286TS-G	\$3,618	N1B	391	1.15	47.1	93.0	23.504	230/460	34
		1800	324TS	040180T3E324TS-G	\$3,372	N1B	574	1.15	48.2	94.1	24.685	230/460	34
		1800	324T	040180T3E324T-G	\$3,495	N1B	507	1.15	48.2	94.1	26.181	230/460	34
		1800	324TC	040180T3E324TC-G	\$3,595	N1B	518	1.15	48.2	94.1	26.181	230/460	34
		1800	324T	040180T3H324T-G	\$3,495	N1B	505	1.15	38.6	94.1	26.181	575	34
		1800	324T	040180T3V324T-G	\$3,495	N1B	507	1.15	55.4	94.1	26.181	200/400	34
		1800	324TC	040180T3V324TC-G	\$3,595	N1B	574	1.15	55.4	94.1	26.181	200/400	34
		1200	364/5T	040120T3E364T-G	\$6,384	N1B	913	1.15	47.1	94.1	29.764	230/460	34
50	37	3600	324TS	050360T3E324TS-G	\$4,097	N1B	541	1.15	59.1	93.6	24.685	230/460	34
		3600	324TSC	050360T3E324TSC-G	\$4,197	N1B	521	1.15	59.1	93.6	24.685	230/460	34
		1800	326T	050180T3E326T-G	\$4,188	N1B	577	1.15	59.9	94.5	27.667	230/460	34
		1800	326TC	050180T3E326TC-G	\$4,288	N1B	587	1.15	59.9	94.5	27.667	230/460	34
		1800	326T	050180T3H326T-G	\$4,188	N1B	574	1.15	47.9	94.5	27.667	575	34
		1800	326T	050180T3V326T-G	\$4,188	N1B	579	1.15	68.9	94.5	27.667	200/400	34
		1200	364/5T	050120T3E365T-G	\$7,232	N1B	924	1.15	58.8	94.1	29.764	230/460	34
60	45	3600	326TS	060360T3E326TS-G	\$4,858	N1B	549	1.15	71.0	93.6	26.181	230/460	34
		1800	364/5T	060180T3E364T-G	\$5,283	N1B	892	1.15	69.9	95.0	29.764	230/460	34
		1800	364/5TC	060180T3E364TC-G	\$5,677	N1B	923	1.15	69.9	95.0	29.764	230/460	34
		1800	364/5T	060180T3H364T-G	\$5,283	N1B	935	1.15	55.9	95.0	29.764	575	34
		1200	404/5T	060120T3E404T-G	\$8,762	N1B	1095	1.15	70.3	94.5	34.133	230/460	34
75	55	3600	364/5TS	075360T3E364TS-G	\$6,172	N1B	845	1.15	83.4	94.1	27.638	230/460	34
		1800	364/5T	075180T3E365T-G	\$6,498	N1B	958	1.15	83.5	95.0	29.764	230/460	34
		1800	364/5TC	075180T3E365TC-G	\$6,892	N1B	989	1.15	83.5	95.0	29.764	230/460	34
		1800	364/5T	075180T3H365T-G	\$6,498	N1B	935	1.15	66.8	95.0	29.764	575	34
		1200	404/5T	075120T3E405T-G	\$9,558	N1B	1121	1.15	85.9	94.5	34.133	230/460	34
100	75	3600	364/5TS	100360T3E365TS-G	\$7,484	N1B	905	1.15	112	94.5	27.638	230/460	34
		1800	404/5TS	100180T3E404TS-G	\$7,751	N1B	1207	1.15	113	95.4	31.141	230/460	34
		1800	404/5T	100180T3E404T-G	\$8,341	N1B	1101	1.15	113	95.4	34.133	230/460	34
		1800	404/5T	100180T3H404T-G	\$8,341	N1B	1207	1.15	90.4	95.4	34.133	575	34
		1200	444/5T	100120T3E444T-G	\$13,463	N1B	1521	1.15	125	95.0	39.803	230/460	34
125	90	3600	404/5TS	125360T3E404TS-G	\$10,026	N1B	1049	1.15	133	94.5	31.141	230/460	34
		1800	404/5T	125180T3E405T-G	\$9,181	N1B	1181	1.15	136	95.4	34.133	230/460	34
		1800	404/5TC	125180T3E405TC-G	\$9,627	N1B	1201	1.15	136	95.4	34.133	230/460	34
		1800	404/5T	125180T3H405T-G	\$9,181	N1B	1189	1.15	109	95.4	34.133	575	34
		1200	444/5T	125120T3G445T-G	\$14,353	N1B	1602	1.15	158	95.0	39.803	460	34
150	110	3600	404/5TS	150360T3G405TS-G	\$12,616	N1B	1114	1.15	162	94.5	31.141	460	34

Air Handling Motors

Please refer to back cover for description of "NOTES"

 For detailed specifications, data sheets, drawings and performance curves visit <http://www.weg.net>

Air Handling Motors

COOLING TOWER MOTORS

Three-Phase TEFC & TEAO

WEG's cooling tower motors are designed for operation in 100% humidity and the most corrosive environments. They are designed to operate in either horizontal or vertical mounting.

WEG's W22 cast iron platform has a superior cooling system and solid feet for cool operation and low vibration and noise extending the life of the motor.

Standard Features:

- 50/60 Hz rated (380V on Nameplate - 400/415 Available - Same Horse Power at 50 Hz with a 1.0 Service Factor)
- Class F insulation (Impregnation Resin and magnet Wire are class H)
- Standard mounting is F2. F1 mounted motors are identified in the part number. (Both configurations are convertible).
- Stainless Steel Nameplate - Laser etched with high contrast background
- Double Sealed bearings
- Space Heaters 110-127/200-240V (200-240V 143/5T)



Features that make a difference:

- 1.25 Service Factor
- Multiple endbell drain plugs for shaft up, down or horizontal mounting
- Drain plugs in terminal box
- Rubber lead separator between terminal box and frame
- Internally and externally epoxy painted
- Double sealed bearings
- Double impregnation and bake

Inverter Rated:
1000:1 for variable torque

ADDITIONAL TECHNICAL DATA

ELECTRICAL DATA: B-27

MECHANICAL DATA: B-86; B-90



Air Handling Motors



COOLING TOWER MOTORS - THREE-PHASE



TEFC - Three-Phase - Foot Mount - NEMA Premium®

HP	kW	RPM	Frame	Catalog Number	List Price	Mult. Symbol	Approx. Shipping Weight (lbs)	Service Factor	FL Amps @ High	FL. Eff (%)	"C" Dimension (in)	Voltage (V)	Notes
1	0.75	1800	143T	00118ET3ECT143TF1-W2	\$647	L1	48	1.25	1.47	85.5	12.346	230/460	
		1800	143T	00118ET3ECT143T-W22	\$647	L1	48	1.25	1.47	85.5	12.346	230/460	7
		1800	143T	00118ET3PCT143T-W22	\$647	L1	48	1.25	3.38	85.5	12.346	200	7
		1200	143/5T	00112ET3ECT145TF1-W2	\$728	L1	56	1.25	1.73	82.5	13.358	230/460	
		1200	143/5T	00112ET3ECT145T-W22	\$728	L1	58	1.25	1.73	82.5	13.358	230/460	7
		1200	143/5T	00112ET3PCT145TF1-W2	\$728	L1	56	1.25	3.98	82.5	13.358	200	
		1200	143/5T	00112ET3PCT145T-W22	\$728	L1	58	1.25	3.98	82.5	13.358	200	7
1.5	1.1	1800	143/5T	00158ET3ECT145TF1-W2	\$676	L1	56	1.25	2.02	86.5	13.358	230/460	
		1800	143/5T	00158ET3ECT145T-W22	\$676	L1	56	1.25	2.02	86.5	13.358	230/460	7
		1800	143/5T	00158ET3PCT145TF1-W2	\$676	L1	56	1.25	4.65	86.5	13.358	200	
		1800	143/5T	00158ET3PCT145T-W22	\$676	L1	56	1.25	4.65	86.5	13.358	200	7
		1200	182T	00152ET3ECT182T-W22	\$903	L1	98	1.25	2.54	87.5	14.860	230/460	7
		1200	182T	00152ET3PCT182T-W22	\$903	L1	79	1.25	5.84	87.5	14.860	200	7
2	1.5	1800	143/5T	00218ET3ECT145TF1-W2	\$752	L1	58	1.25	2.76	86.5	13.358	230/460	
		1800	143/5T	00218ET3ECT145T-W22	\$752	L1	58	1.25	2.76	86.5	13.358	230/460	7
		1800	143/5T	00218ET3HCT145T-W22	\$752	L1	58	1.25	2.21	86.5	13.358	575	7
		1800	143/5T	00218ET3PCT145TF1-W2	\$752	L1	58	1.25	6.35	86.5	13.358	200	
		1800	143/5T	00218ET3PCT145T-W22	\$752	L1	58	1.25	6.35	86.5	13.358	200	7
		1200	182/4T	00212ET3ECT184T-W22	\$981	L1	107	1.25	3.23	88.5	15.860	230/460	7
		1200	182/4T	00212ET3PCT184T-W22	\$981	L1	97	1.25	7.43	88.5	15.860	200	7
3	2.2	1800	182T	00318ET3ECT182TF1-W2	\$781	L1	96	1.25	3.91	89.5	14.860	230/460	
		1800	182T	00318ET3ECT182T-W22	\$781	L1	96	1.25	3.91	89.5	14.860	230/460	7
		1800	182T	00318ET3HCT182TF1-W2	\$781	L1	95	1.25	3.13	89.5	14.860	575	
		1800	182T	00318ET3HCT182T-W22	\$781	L1	95	1.25	3.13	89.5	14.860	575	7
		1800	182T	00318ET3PCT182TF1-W2	\$781	L1	96	1.25	8.99	89.5	14.860	200	
		1800	182T	00318ET3PCT182T-W22	\$781	L1	96	1.25	8.99	89.5	14.860	200	7
		1200	213T	00312ET3ECT213T-W22	\$1,329	L1	158	1.25	4.41	89.5	18.021	230/460	7
		1200	213T	00312ET3HCT213T-W22	\$1,329	L1	152	1.25	3.53	89.5	19.517	575	7
1200	213T	00312ET3PCT213T-W22	\$1,329	L1	159	1.25	10.1	89.5	18.021	200	7		
5	3.7	1800	182/4T	00518ET3ECT184TF1-W2	\$894	L1	108	1.25	6.45	89.5	15.860	230/460	
		1800	182/4T	00518ET3ECT184T-W22	\$894	L1	108	1.25	6.45	89.5	15.860	230/460	7
		1800	182/4T	00518ET3HCT184TF1-W2	\$894	L1	108	1.25	5.16	89.5	15.860	575	
		1800	182/4T	00518ET3HCT184T-W22	\$894	L1	108	1.25	5.16	89.5	15.860	575	7
		1800	182/4T	00518ET3PCT184TF1-W2	\$894	L1	108	1.25	14.8	89.5	15.860	200	
		1800	182/4T	00518ET3PCT184T-W22	\$894	L1	108	1.25	14.8	89.5	15.860	200	7
		1200	213/5T	00512ET3ECT215TF1-W2	\$1,517	L1	175	1.25	6.83	89.5	19.517	230/460	
		1200	213/5T	00512ET3ECT215T-W22	\$1,517	L1	183	1.25	6.83	89.5	19.517	230/460	7
		1200	213/5T	00512ET3HCT215T-W22	\$1,517	L1	175	1.25	5.46	89.5	19.517	575	7
		1200	213/5T	00512ET3PCT215T-W22	\$1,517	L1	184	1.25	15.7	89.5	19.517	200	7

continued on next page



TEFC - Three-Phase - Foot Mount - NEMA Premium® - continued

HP	kW	RPM	Frame	Catalog Number	List Price	Mult. Symbol	Approx. Shipping Weight (lbs)	Service Factor	FL Amps @ High	FL. Eff (%)	"C" Dimension (in)	Voltage (V)	Notes
7.5	5.5	1800	213T	00718ET3ECT213TF1-W2	\$1,293	L1	171	1.25	9.18	91.7	18.021	230/460	
		1800	213T	00718ET3ECT213T-W22	\$1,293	L1	171	1.25	9.18	91.7	18.021	230/460	7
		1800	213T	00718ET3HCT213TF1-W2	\$1,293	L1	170	1.25	7.34	91.7	18.021	575	
		1800	213T	00718ET3HCT213T-W22	\$1,293	L1	170	1.25	7.34	91.7	18.021	575	7
		1800	213T	00718ET3PCT213TF1-W2	\$1,293	L1	171	1.25	21.1	91.7	18.021	200	
		1800	213T	00718ET3PCT213T-W22	\$1,293	L1	171	1.25	21.1	91.7	18.021	200	7
		1200	254T	00712ET3ECT254T-W22	\$2,433	L1	311	1.25	9.48	91.0	23.213	230/460	7
		1200	254T	00712ET3HCT254T-W22	\$2,433	L1	299	1.25	7.58	91.0	23.213	575	7
		1200	254T	00712ET3PCT254T-W22	\$2,433	L1	311	1.25	21.8	91.0	23.213	200	7
10	7.5	1800	213/5T	01018ET3ECT215TF1-W2	\$1,475	L1	192	1.25	12.4	91.7	19.517	230/460	
		1800	213/5T	01018ET3ECT215T-W22	\$1,475	L1	192	1.25	12.4	91.7	19.517	230/460	7
		1800	213/5T	01018ET3HCT215TF1-W2	\$1,475	L1	192	1.25	9.92	91.7	19.517	575	
		1800	213/5T	01018ET3HCT215T-W22	\$1,475	L1	192	1.25	9.92	91.7	19.517	575	7
		1800	213/5T	01018ET3PCT215TF1-W2	\$1,475	L1	192	1.25	28.5	91.7	19.517	200	
		1800	213/5T	01018ET3PCT215T-W22	\$1,475	L1	192	1.25	28.5	91.7	19.517	200	7
		1200	254/6T	01012ET3ECT256TF1-W2	\$2,751	L1	331	1.25	12.9	91.0	24.945	230/460	
		1200	254/6T	01012ET3ECT256T-W22	\$2,751	L1	331	1.25	12.9	91.0	24.945	230/460	7
		1200	254/6T	01012ET3HCT256T-W22	\$2,751	L1	343	1.25	10.3	91.0	24.945	575	7
1200	254/6T	01012ET3PCT256T-W22	\$2,751	L1	331	1.25	29.7	91.0	24.945	200	7		
15	11	1800	254T	01518ET3ECT254TF1-W2	\$2,122	L1	341	1.25	18.0	92.4	23.213	230/460	
		1800	254T	01518ET3ECT254T-W22	\$2,122	L1	341	1.25	18.0	92.4	23.213	230/460	7
		1800	254T	01518ET3HCT254TF1-W2	\$2,122	L1	341	1.25	14.4	92.4	23.213	575	
		1800	254T	01518ET3HCT254T-W22	\$2,122	L1	341	1.25	14.4	92.4	23.213	575	7
		1800	254T	01518ET3PCT254TF1-W2	\$2,122	L1	342	1.25	41.4	92.4	23.213	200	
		1800	254T	01518ET3PCT254T-W22	\$2,122	L1	342	1.25	41.4	92.4	23.213	200	7
		1200	284T	01512ET3ECT284T-W22	\$3,850	L1	422	1.25	17.9	91.7	26.433	230/460	7
		1200	284T	01512ET3PCT284T-W22	\$3,850	L1	423	1.25	41.2	91.7	26.433	200	7
20	15	1800	254/6T	02018ET3ECT256TF1-W2	\$2,549	L1	403	1.25	24.1	93.0	24.945	230/460	
		1800	254/6T	02018ET3ECT256T-W22	\$2,549	L1	387	1.25	24.1	93.0	24.945	230/460	7
		1800	254/6T	02018ET3HCT256TF1-W2	\$2,549	L1	402	1.25	19.3	93.0	24.945	575	
		1800	254/6T	02018ET3HCT256T-W22	\$2,549	L1	402	1.25	19.3	93.0	24.945	575	7
		1800	254/6T	02018ET3PCT256TF1-W2	\$2,549	L1	403	1.25	55.4	93.0	24.945	200	
		1800	254/6T	02018ET3PCT256T-W22	\$2,549	L1	403	1.25	55.4	93.0	24.945	200	7
		1200	284/6T	02012ET3ECT286T-W22	\$4,635	L1	461	1.25	24.2	91.7	27.929	230/460	7
		1200	284/6T	02012ET3PCT286T-W22	\$4,635	L1	503	1.25	55.7	91.7	27.929	200	7
25	18.5	1800	284T	02518ET3ECT284TF1-W2	\$3,236	L1	441	1.25	29.5	93.6	26.433	230/460	
		1800	284T	02518ET3ECT284T-W22	\$3,236	L1	441	1.25	29.5	93.6	26.433	230/460	7
		1800	284T	02518ET3HCT284TF1-W2	\$3,236	L1	439	1.25	23.6	93.6	26.433	575	
		1800	284T	02518ET3HCT284T-W22	\$3,236	L1	439	1.25	23.6	93.6	26.433	575	7
		1800	284T	02518ET3PCT284TF1-W2	\$3,236	L1	440	1.25	67.9	93.6	26.433	200	
		1800	284T	02518ET3PCT284T-W22	\$3,236	L1	440	1.25	67.9	93.6	26.433	200	7
		1200	324T	02512ET3ECT324T-W22	\$5,543	L1	575	1.25	30.4	93.0	29.620	230/460	7
		1200	324T	02512ET3PCT324T-W22	\$5,543	L1	574	1.25	69.9	93.0	29.620	200	7

continued on next page

Please refer to back cover for description of "NOTES"

For detailed specifications, data sheets, drawings and performance curves visit <http://www.weg.net>

Data subject to change without notice.

Can't find what you are looking for? Call 1-800-ASK-4WEG (275-4934)

COOLING TOWER MOTORS - THREE-PHASE

TEFC - Three-Phase - Foot Mount - NEMA Premium® - continued

HP	kW	RPM	Frame	Catalog Number	List Price	Mult. Symbol	Approx. Shipping Weight (lbs)	Service Factor	FL Amps @ High	FL. Eff (%)	"C" Dimension (in)	Voltage (V)	Notes
30	22	1800	284/6T	03018ET3ECT286TF1-W2	\$3,738	L1	490	1.25	35.1	93.6	27.929	230/460	
		1800	284/6T	03018ET3ECT286T-W22	\$3,738	L1	490	1.25	35.1	93.6	27.929	230/460	7
		1800	284/6T	03018ET3HCT286TF1-W2	\$3,738	L1	489	1.25	28.1	93.6	27.929	575	
		1800	284/6T	03018ET3HCT286T-W22	\$3,738	L1	489	1.25	28.1	93.6	27.929	575	7
		1800	284/6T	03018ET3PCT286TF1-W2	\$3,738	L1	491	1.25	80.7	93.6	27.929	200	
		1800	284/6T	03018ET3PCT286T-W22	\$3,738	L1	491	1.25	80.7	93.6	27.929	200	7
		1200	324/6T	03012ET3ECT326T-W22	\$6,064	L1	673	1.25	36.2	93.0	31.116	230/460	7
		1200	324/6T	03012ET3PCT326T-W22	\$6,064	L1	634	1.25	83.3	93.0	31.116	200	7
40	30	1800	324T	04018ET3ECT324TF1-W2	\$4,805	L1	605	1.25	47.1	94.1	29.620	230/460	
		1800	324T	04018ET3ECT324T-W22	\$4,805	L1	605	1.25	47.1	94.1	29.620	230/460	7
		1800	324T	04018ET3HCT324TF1-W2	\$4,805	L1	603	1.25	37.7	94.1	29.620	575	
		1800	324T	04018ET3HCT324T-W22	\$4,805	L1	603	1.25	37.7	94.1	29.620	575	7
		1800	324T	04018ET3PCT324TF1-W2	\$4,805	L1	606	1.25	108	94.1	29.620	200	
		1800	324T	04018ET3PCT324T-W22	\$4,805	L1	606	1.25	108	94.1	29.620	200	7
		1200	364/5T	04012ET3ECT364T-W22	\$8,376	L1	1003	1.25	46.5	94.1	34.251	230/460	7
		1200	364/5T	04012ET3PCT364T-W22	\$8,376	L1	1076	1.25	107	94.1	34.251	200	7
50	37	1800	324/6T	05018ET3ECT326TF1-W2	\$5,865	L1	644	1.25	59.2	94.5	31.116	230/460	
		1800	324/6T	05018ET3ECT326T-W22	\$5,865	L1	643	1.25	59.2	94.5	31.116	230/460	7
		1800	324/6T	05018ET3HCT326TF1-W2	\$5,865	L1	644	1.25	47.4	94.5	31.116	575	
		1800	324/6T	05018ET3HCT326T-W22	\$5,865	L1	644	1.25	47.4	94.5	31.116	575	7
		1800	324/6T	05018ET3PCT326T-W22	\$5,865	L1	662	1.25	136	94.5	31.116	200	7
		1200	364/5T	05012ET3ECT365T-W22	\$9,625	L1	1020	1.25	57.4	94.1	34.251	230/460	7
		1200	364/5T	05012ET3PCT365T-W22	\$9,625	L1	1127	1.25	132	94.1	34.251	200	7
		60	45	1800	364/5T	06018ET3ECT364TF1-W2	\$8,497	L1	1009	1.25	68.3	95.0	34.251
1800	364/5T			06018ET3ECT364T-W22	\$8,497	L1	1029	1.25	68.3	95.0	34.251	230/460	7
1800	364/5T			06018ET3HCT364TF1-W2	\$8,497	L1	1009	1.25	54.6	95.0	34.251	575	
1800	364/5T			06018ET3HCT364T-W22	\$8,497	L1	1009	1.25	54.6	95.0	34.251	575	7
1800	364/5T			06018ET3PCT364T-W22	\$8,497	L1	1036	1.25	157	95.0	34.251	200	7
1200	404/5T			06012ET3ECT404T-W22	\$11,861	L1	1272	1.25	69.5	94.5	39.730	230/460	7
1200	404/5T			06012ET3PCT404T-W22	\$11,861	L1	1346	1.25	160	94.5	39.730	200	7
75	55			1800	364/5T	07518ET3ECT365TF1-W2	\$9,924	L1	1007	1.25	84.1	95.4	34.251
		1800	364/5T	07518ET3ECT365T-W22	\$9,924	L1	1046	1.25	84.1	95.4	34.251	230/460	7
		1800	364/5T	07518ET3HCT365T-W22	\$9,924	L1	1007	1.25	67.3	95.4	34.251	575	7
		1800	364/5T	07518ET3PCT365T-W22	\$9,924	L1	1047	1.25	193	95.4	34.251	200	7
		1200	404/5T	07512ET3ECT405T-W22	\$13,626	L1	1243	1.25	84.9	94.5	39.730	230/460	7
		1200	404/5T	07512ET3PCT405T-W22	\$13,626	L1	1478	1.25	195	94.5	39.730	200	7
100	75	1800	404/5T	10018ET3ECT405T-W22	\$13,092	L1	1303	1.25	111	95.4	39.730	230/460	7
		1800	404/5T	10018ET3PCT405T-W22	\$13,092	L1	1302	1.25	255	95.4	39.730	200	7
		1200	444/5T	10012ET3ECT444T-W22	\$17,194	L1	2006	1.25	121	95.0	44.950	230/460	7
		1200	444/5T	10012ET3PCT444T-W22	\$17,194	L1	2006	1.25	278	95.0	44.950	200	7

Please refer to back cover for description of "NOTES"

 For detailed specifications, data sheets, drawings and performance curves visit <http://www.weg.net>



Air Handling Motors

COOLING TOWER MOTORS - THREE-PHASE

TEAO - Three-Phase - Foot Mount - NEMA Premium®

HP	kW	RPM	Frame	Catalog Number	List Price	Mult. Symbol	Approx. Shipping Weight (lbs)	Service Factor	FL Amps @ High	FL. Eff (%)	"C" Dimension (in)	Voltage (V)	Notes
1	0.75	1800	143T	00118AT3PCT143T-W22	\$666	L1	54	1.25	3.38	85.5	12.353	200	7
1.5	1.1	1800	143/5T	00158AT3PCT145T-W22	\$696	L1	56	1.25	4.65	86.5	13.338	200	7
2	1.5	1800	143/5T	00218AT3ECT145TF1-W2	\$775	L1	58	1.25	2.76	86.5	13.338	230/460	
		1800	143/5T	00218AT3ECT145T-W22	\$775	L1	58	1.25	2.76	86.5	13.338	230/460	7
		1800	143/5T	00218AT3PCT145T-W22	\$775	L1	58	1.25	6.35	86.5	13.338	200	7
		1200	182/4T	00212AT3ECT184TF1-W2	\$1,010	L1	105	1.25	3.23	88.5	15.298	230/460	
		1200	182/4T	00212AT3ECT184T-W22	\$1,010	L1	97	1.25	3.23	88.5	15.298	230/460	
		1200	182/4T	00212AT3HCT184TF1-W2	\$1,010	L1	97	1.25	2.58	88.5	15.298	575	
		1200	182/4T	00212AT3HCT184T-W22	\$1,010	L1	97	1.25	2.58	88.5	15.298	575	7
		1200	182/4T	00212AT3PCT184TF1-W2	\$1,010	L1	106	1.25	7.43	88.5	15.298	200	
3	2.2	1800	182T	00318AT3ECT182TF1-W2	\$804	L1	94	1.25	3.91	89.5	14.298	230/460	
		1800	182T	00318AT3ECT182T-W22	\$804	L1	94	1.25	3.91	89.5	14.298	230/460	7
		1800	182T	00318AT3HCT182T-W22	\$804	L1	96	1.25	3.13	89.5	14.298	575	7
		1800	182T	00318AT3PCT182TF1-W2	\$804	L1	99	1.25	8.99	89.5	14.298	200	
		1800	182T	00318AT3PCT182T-W22	\$804	L1	94	1.25	8.99	89.5	14.298	200	7
		1200	213T	00312AT3ECT213TF1-W2	\$1,369	L1	157	1.25	4.41	89.5	17.239	230/460	
		1200	213T	00312AT3ECT213T-W22	\$1,369	L1	134	1.25	4.41	89.5	17.239	230/460	7
		1200	213T	00312AT3HCT213T-W22	\$1,369	L1	134	1.25	3.53	89.5	17.239	575	7
5	3.7	1800	182/4T	00518AT3ECT184TF1-W2	\$921	L1	107	1.25	6.45	89.5	15.298	230/460	
		1800	182/4T	00518AT3ECT184T-W22	\$921	L1	107	1.25	6.45	89.5	15.298	230/460	7
		1800	182/4T	00518AT3HCT184TF1-W2	\$921	L1	107	1.25	5.16	89.5	15.298	575	
		1800	182/4T	00518AT3HCT184T-W22	\$921	L1	104	1.25	5.16	89.5	15.298	575	7
		1800	182/4T	00518AT3PCT184TF1-W2	\$921	L1	107	1.25	14.8	89.5	15.298	200	
		1800	182/4T	00518AT3PCT184T-W22	\$921	L1	107	1.25	14.8	89.5	15.298	200	7
		1200	213/5T	00512AT3ECT215TF1-W2	\$1,563	L1	182	1.25	6.83	89.5	18.739	230/460	
		1200	213/5T	00512AT3ECT215T-W22	\$1,563	L1	175	1.25	6.83	89.5	18.739	230/460	7
		1200	213/5T	00512AT3HCT215TF1-W2	\$1,563	L1	175	1.25	5.46	89.5	18.739	575	
		1200	213/5T	00512AT3HCT215T-W22	\$1,563	L1	175	1.25	5.46	89.5	18.739	575	7
7.5	5.5	1800	213T	00718AT3ECT213TF1-W2	\$1,332	L1	170	1.25	9.18	91.7	17.239	230/460	
		1800	213T	00718AT3ECT213T-W22	\$1,332	L1	170	1.25	9.18	91.7	17.239	230/460	7
		1800	213T	00718AT3HCT213TF1-W2	\$1,332	L1	169	1.25	7.34	91.7	17.239	575	
		1800	213T	00718AT3HCT213T-W22	\$1,332	L1	169	1.25	7.34	91.7	17.239	575	7
		1800	213T	00718AT3PCT213TF1-W2	\$1,332	L1	170	1.25	21.1	91.7	17.239	200	
		1800	213T	00718AT3PCT213T-W22	\$1,332	L1	170	1.25	21.1	91.7	17.239	200	7
		1200	254T	00712AT3ECT254TF1-W2	\$2,506	L1	297	1.25	9.48	91.0	21.594	230/460	39
		1200	254T	00712AT3PCT254TF1-W2	\$2,506	L1	299	1.25	21.8	91.0	21.594	200	39

continued on next page

Air Handling Motors

Please refer to back cover for description of "NOTES"

For detailed specifications, data sheets, drawings and performance curves visit <http://www.weg.net>

Data subject to change without notice.

Can't find what you are looking for? Call 1-800-ASK-4WEG (275-4934)

COOLING TOWER MOTORS - THREE-PHASE

TEAO - Three-Phase - Foot Mount - NEMA Premium® - continued

HP	kW	RPM	Frame	Catalog Number	List Price	Mult. Symbol	Approx. Shipping Weight (lbs)	Service Factor	FL Amps @ High	FL. Eff (%)	"C" Dimension (in)	Voltage (V)	Notes
10	7.5	1800	213/5T	01018AT3ECT215TF1-W2	\$1,519	L1	192	1.25	12.4	91.7	18.739	230/460	
		1800	213/5T	01018AT3ECT215T-W22	\$1,519	L1	192	1.25	12.4	91.7	18.739	230/460	7
		1800	213/5T	01018AT3HCT215TF1-W2	\$1,519	L1	191	1.25	9.92	91.7	18.739	575	
		1800	213/5T	01018AT3HCT215T-W22	\$1,519	L1	191	1.25	9.92	91.7	18.739	575	7
		1800	213/5T	01018AT3PCT215TF1-W2	\$1,519	L1	191	1.25	28.5	91.7	18.739	200	
		1800	213/5T	01018AT3PCT215T-W22	\$1,519	L1	191	1.25	28.5	91.7	18.739	200	7
		1200	254/6T	01012AT3ECT256TF1-W2	\$2,919	L1	317	1.25	12.9	91.0	23.343	230/460	
		1200	254/6T	01012AT3PCT256TF1-W2	\$2,919	L1	333	1.25	29.7	91.0	23.343	200	
		1200	254/6T	01012AT3PCT256T-W22	\$2,919	L1	333	1.25	29.7	91.0	23.343	200	7
15	11	1800	254T	01518AT3ECT254TF1-W2	\$2,186	L1	327	1.25	18.0	92.4	21.594	230/460	
		1800	254T	01518AT3ECT254T-W22	\$2,186	L1	327	1.25	18.0	92.4	21.594	230/460	7
		1800	254T	01518AT3HCT254TF1-W2	\$2,186	L1	327	1.25	14.4	92.4	21.594	575	
		1800	254T	01518AT3HCT254T-W22	\$2,186	L1	327	1.25	14.4	92.4	21.594	575	7
		1800	254T	01518AT3PCT254TF1-W2	\$2,186	L1	328	1.25	41.4	92.4	21.594	200	
		1800	254T	01518AT3PCT254T-W22	\$2,186	L1	328	1.25	41.4	92.4	21.594	200	7
20	15	1800	254/6T	02018AT3ECT256TF1-W2	\$2,625	L1	389	1.25	24.1	93.0	23.343	230/460	
		1800	254/6T	02018AT3ECT256T-W22	\$2,625	L1	389	1.25	24.1	93.0	23.343	230/460	7
		1800	254/6T	02018AT3HCT256TF1-W2	\$2,625	L1	388	1.25	19.3	93.0	23.343	575	
		1800	254/6T	02018AT3HCT256T-W22	\$2,625	L1	388	1.25	19.3	93.0	23.343	575	7
		1800	254/6T	02018AT3PCT256TF1-W2	\$2,625	L1	389	1.25	55.4	93.0	23.343	200	
		1800	254/6T	02018AT3PCT256T-W22	\$2,625	L1	389	1.25	55.4	93.0	23.343	200	7
25	18.5	1800	284T	02518AT3ECT284TF1-W2	\$3,333	L1	423	1.25	29.5	93.6	25.418	230/460	
		1800	284T	02518AT3ECT284T-W22	\$3,333	L1	423	1.25	29.5	93.6	25.418	230/460	7
		1800	284T	02518AT3HCT284TF1-W2	\$3,333	L1	422	1.25	23.6	93.6	25.418	575	
		1800	284T	02518AT3HCT284T-W22	\$3,333	L1	422	1.25	23.6	93.6	25.418	575	7
		1800	284T	02518AT3PCT284TF1-W2	\$3,333	L1	422	1.25	67.9	93.6	25.418	200	
		1800	284T	02518AT3PCT284T-W22	\$3,333	L1	422	1.25	67.9	93.6	25.418	200	7
		1200	324T	02512AT3ECT324TF1-W2	\$5,709	L1	555	1.25	30.4	93.0	28.575	230/460	
		1200	324T	02512AT3HCT324TF1-W2	\$5,709	L1	605	1.25	24.3	93.0	28.575	575	
30	22	1800	284/6T	03018AT3ECT286TF1-W2	\$3,850	L1	473	1.25	35.1	93.6	26.918	230/460	
		1800	284/6T	03018AT3ECT286T-W22	\$3,850	L1	473	1.25	35.1	93.6	26.918	230/460	7
		1800	284/6T	03018AT3HCT286TF1-W2	\$3,850	L1	471	1.25	28.1	93.6	26.918	575	
		1800	284/6T	03018AT3HCT286T-W22	\$3,850	L1	469	1.25	28.1	93.6	26.918	575	7
		1800	284/6T	03018AT3PCT286TF1-W2	\$3,850	L1	473	1.25	80.7	93.6	26.918	200	
		1800	284/6T	03018AT3PCT286T-W22	\$3,850	L1	473	1.25	80.7	93.6	26.918	200	7
		1200	324/6T	03012AT3PCT326TF1-W2	\$6,246	L1	673	1.25	83.3	93.0	30.071	200	
40	30	1800	324T	04018AT3ECT324TF1-W2	\$4,949	L1	586	1.25	47.1	94.1	28.575	230/460	
		1800	324T	04018AT3ECT324T-W22	\$4,949	L1	586	1.25	47.1	94.1	28.575	230/460	7
		1800	324T	04018AT3HCT324TF1-W2	\$4,949	L1	584	1.25	37.7	94.1	28.575	575	
		1800	324T	04018AT3HCT324T-W22	\$4,949	L1	580	1.25	37.7	94.1	28.575	575	7
		1800	324T	04018AT3PCT324TF1-W2	\$4,949	L1	576	1.25	108	94.1	28.575	200	
		1800	324T	04018AT3PCT324T-W22	\$4,949	L1	581	1.25	108	94.1	28.575	200	7
50	37	1800	324/6T	05018AT3ECT326T-W22	\$6,041	L1	662	1.25	59.2	94.5	30.071	230/460	7
		1800	324/6T	05018AT3HCT326T-W22	\$6,041	L1	662	1.25	47.3	94.5	30.071	575	7
		1800	324/6T	05018AT3PCT326T-W22	\$6,041	L1	662	1.25	136	94.5	30.071	200	7
60	45	1800	364/5T	06018AT3ECT364T-W22	\$8,752	L1	1036	1.25	68.3	95.0	29.390	230/460	7
75	55	1800	364/5T	07518AT3ECT365T-W22	\$10,222	L1	1047	1.25	84.1	95.4	29.390	230/460	7

Please refer to back cover for description of "NOTES"

For detailed specifications, data sheets, drawings and performance curves visit <http://www.weg.net>



Air Handling Motors

COOLING TOWER MOTORS - THREE-PHASE

TEFC - Dual Speed (1 & 2 Windings) - High Efficiency

HP	kW	RPM	Frame	Catalog Number	List Price	Mult. Symbol	Approx. Shipping Weight (lbs)	Service Factor	FL Amps @ High	FL Eff (%)	"C" Dimension (in)	Voltage (V)	Notes
2/0.50	1.5/0.37	1800/900	143/5T	00289EP3PCT145VF1-W2	\$929	H1	53	1.25	6.40	82.5	13.358	200	23;30
		1800/900	143/5T	00289EP3PCT145V-W22	\$929	H1	56	1.25	6.40	82.5	13.358	200	7;23;30
		1200/600	213T	00226EP3QCT213VF1-W2	\$2,021	H1	53	1.15	3.35	84.0	18.021	460	23;30
		1200/600	213T	00226EP3QCT213V-W22	\$2,021	H1	53	1.15	3.35	84.0	18.021	460	7;23;30
3/0.75	2.2/0.55	1800/900	182T	00389EP3QCT182VF1-W2	\$1,369	H1	100	1.25	3.99	87.5	14.860	460	23;30
		1800/900	182T	00389EP3QCT182V-W22	\$1,369	H1	94	1.25	3.99	87.5	14.860	460	7;23;30
		1800/900	182T	00389EP3PCT182VF1-W2	\$1,369	H1	95	1.25	9.18	87.5	14.860	200	23;30
		1800/900	182T	00389EP3PCT182V-W22	\$1,369	H1	100	1.25	9.18	87.5	14.860	200	7;23;30
		1200/600	213/5T	00326EP3QCT215V-W22	\$2,125	H1	100	1.15	4.11	84.0	19.517	460	7;23;30
5/1.25	3.7/0.92	1800/900	182/4T	00589EP3QCT184VF1-W2	\$1,471	H1	105	1.25	6.63	87.5	15.860	460	23;30
		1800/900	182/4T	00589EP3QCT184V-W22	\$1,471	H1	104	1.25	6.63	87.5	15.860	460	7;23;30
		1800/900	182/4T	00589EP3HCT184VF1-W2	\$1,471	H1	104	1.25	5.30	87.5	15.860	575	23;30
		1800/900	182/4T	00589EP3HCT184V-W22	\$1,471	H1	104	1.25	5.30	87.5	15.860	575	7;23;30
		1800/900	182/4T	00589EP3PCT184VF1-W2	\$1,471	H1	104	1.25	15.2	87.5	15.860	200	23;30
		1800/900	182/4T	00589EP3PCT184V-W22	\$1,471	H1	104	1.25	15.2	87.5	15.860	200	7;23;30
		1800/900	213/5T	00589EP3QCT215V2F1-W	\$2,262	H1	181	1.25	6.55	88.5	19.517	460	22;30
		1800/900	213/5T	00589EP3QCT215V2-W22	\$2,262	H1	181	1.25	6.55	88.5	19.517	460	7;22;30
		1800/900	213/5T	00589EP3PCT215V2F1-W	\$2,262	H1	181	1.25	15.1	88.5	19.517	200	22;30
		1200/600	254T	00526EP3QCT254VF1-W2	\$2,424	H1	121	1.15	7.06	86.5	23.213	460	23;30
1200/600	254T	00526EP3QCT254V-W22	\$2,424	H1	121	1.15	7.06	86.5	23.213	460	7;23;30		
7.5/1.75	5.5/1.3	1800/900	213T	00789EP3QCT213VF1-W2	\$1,672	H1	168	1.25	9.51	88.5	18.021	460	23;30
		1800/900	213T	00789EP3QCT213V-W22	\$1,672	H1	168	1.25	9.51	88.5	18.021	460	7;23;30
		1800/900	213T	00789EP3HCT213V-W22	\$1,672	H1	164	1.25	7.61	88.5	18.021	575	7;23;30
		1800/900	213T	00789EP3PCT213VF1-W2	\$1,672	H1	164	1.25	21.9	88.5	18.021	200	23;30
		1800/900	213T	00789EP3PCT213V-W22	\$1,672	H1	164	1.25	21.9	88.5	18.021	200	7;23;30
		1800/900	254T	00789EP3QCT254V2F1-W	\$2,808	H1	302	1.25	9.75	88.5	23.213	460	22;30
		1800/900	254T	00789EP3QCT254V2-W22	\$2,808	H1	302	1.25	9.75	88.5	23.213	460	7;22;30
		1800/900	254T	00789EP3PCT254V2F1-W	\$2,808	H1	302	1.25	22.4	88.5	23.213	200	22;30
		1800/900	254T	00789EP3PCT254V2-W22	\$2,808	H1	302	1.25	22.4	88.5	23.213	200	7;22;30
10/2.5	7.5/1.85	1200/600	254/6T	00726EP3QCT256V-W22	\$2,496	H1	181	1.15	10.1	87.5	24.945	460	7;23;30
		1800/900	213/5T	01089EP3QCT215VF1-W2	\$1,891	H1	181	1.25	13.0	88.5	19.517	460	23;30
		1800/900	213/5T	01089EP3QCT215V-W22	\$1,891	H1	181	1.25	13.0	88.5	19.517	460	7;23;30
		1800/900	213/5T	01089EP3HCT215VF1-W2	\$1,891	H1	168	1.25	10.4	88.5	19.517	575	23;30
		1800/900	213/5T	01089EP3HCT215V-W22	\$1,891	H1	168	1.25	10.4	88.5	19.517	575	7;23;30
		1800/900	213/5T	01089EP3PCT215VF1-W2	\$1,891	H1	168	1.25	29.9	88.5	19.517	200	23;30
		1800/900	213/5T	01089EP3PCT215V-W22	\$1,891	H1	168	1.25	29.9	88.5	19.517	200	7;23;30
		1800/900	254/6T	01089EP3QCT256V2F1-W	\$3,052	H1	346	1.25	13.0	89.5	24.945	460	22;30
		1800/900	254/6T	01089EP3QCT256V2-W22	\$3,052	H1	363	1.25	13.0	89.5	24.945	460	7;22;30
		1800/900	254/6T	01089EP3PCT256V2F1-W	\$3,052	H1	346	1.25	29.9	89.5	24.945	200	22;30
		1800/900	254/6T	01089EP3PCT256V2-W22	\$3,052	H1	346	1.25	29.9	89.5	24.945	200	7;22;30
1200/600	284T	01026EP3QCT284V-W22	\$3,017	H1	377	1.15	12.2	89.5	26.433	460	7;23;30		

continued on next page

Please refer to back cover for description of "NOTES"

For detailed specifications, data sheets, drawings and performance curves visit <http://www.weg.net>

Data subject to change without notice.

Can't find what you are looking for? Call 1-800-ASK-4WEG (275-4934)

A-177

Air Handling Motors

COOLING TOWER MOTORS - THREE-PHASE

TEFC - Dual Speed (1 & 2 Windings) - High Efficiency - *continued*

HP	kW	RPM	Frame	Catalog Number	List Price	Mult. Symbol	Approx. Shipping Weight (lbs)	Service Factor	FL Amps @ High	FL Eff (%)	"C" Dimension (in)	Voltage (V)	Notes
15/3.75	11/2.8	1800/900	254T	01589EP3QCT254VF1-W2	\$2,572	H1	324	1.25	19.0	89.5	23.213	460	23;30
		1800/900	254T	01589EP3QCT254V-W22	\$2,572	H1	324	1.25	19.0	89.5	23.213	460	7;23;30
		1800/900	254T	01589EP3HCT254VF1-W2	\$2,572	H1	324	1.25	15.2	89.5	23.213	575	23;30
		1800/900	254T	01589EP3HCT254V-W22	\$2,572	H1	288	1.25	15.2	89.5	23.213	575	7;23;30
		1800/900	254T	01589EP3PCT254VF1-W2	\$2,572	H1	288	1.25	43.8	89.5	23.213	200	23;30
		1800/900	254T	01589EP3PCT254V-W22	\$2,572	H1	288	1.25	43.8	89.5	23.213	200	7;23;30
		1800/900	284T	01589EP3QCT284V2F1-W	\$3,878	H1	439	1.25	18.7	90.2	26.433	460	22;30
		1800/900	284T	01589EP3QCT284V2-W22	\$3,878	H1	435	1.25	18.7	90.2	26.433	460	7;22;30
		1800/900	284T	01589EP3PCT284V2F1-W	\$3,878	H1	435	1.25	43.0	90.2	26.433	200	22;30
		1800/900	284T	01589EP3PCT284V2-W22	\$3,878	H1	435	1.25	43.0	90.2	26.433	200	7;22;30
		1200/600	284/6T	01526EP3QCT286VF1-W2	\$3,274	H1	271	1.15	18.0	90.2	27.929	460	23;30
		1200/600	284/6T	01526EP3QCT286V-W22	\$3,274	H1	271	1.15	18.0	90.2	27.929	460	7;23;30
		1200/600	284/6T	01526EP3HCT286VF1-W2	\$3,274	H1	271	1.15	14.4	90.2	27.929	575	23;30
		1200/600	284/6T	01526EP3HCT286V-W22	\$3,274	H1	271	1.15	14.4	90.2	27.929	575	7;23;30
		1200/600	284/6T	01526EP3PCT286VF1-W2	\$3,274	H1	271	1.15	41.4	90.2	27.929	200	23;30
		1200/600	284/6T	01526EP3PCT286V-W22	\$3,274	H1	271	1.15	41.4	90.2	27.929	200	7;23;30
20/5	15/3.7	1800/900	254/6T	02089EP3QCT256VF1-W2	\$2,923	H1	360	1.25	26.1	90.2	24.945	460	23;30
		1800/900	254/6T	02089EP3QCT256V-W22	\$2,923	H1	360	1.25	26.1	90.2	24.945	460	7;23;30
		1800/900	254/6T	02089EP3HCT256VF1-W2	\$2,923	H1	335	1.25	20.9	90.2	24.945	575	23;30
		1800/900	254/6T	02089EP3HCT256V-W22	\$2,923	H1	335	1.25	20.9	90.2	24.945	575	7;23;30
		1800/900	254/6T	02089EP3PCT256VF1-W2	\$2,923	H1	362	1.25	60.0	90.2	24.945	200	23;30
		1800/900	254/6T	02089EP3PCT256V-W22	\$2,923	H1	335	1.25	60.0	90.2	24.945	200	7;23;30
		1800/900	284/6T	02089EP3QCT286V2F1-W	\$4,827	H1	503	1.25	24.9	91.0	27.929	460	22;30
		1800/900	284/6T	02089EP3QCT286V2-W22	\$4,827	H1	503	1.25	24.9	91.0	27.929	460	7;22;30
		1800/900	284/6T	02089EP3PCT286V2F1-W	\$4,827	H1	512	1.25	57.3	91.0	27.929	200	22;30
		1800/900	284/6T	02089EP3PCT286V2-W22	\$4,827	H1	512	1.25	57.3	91.0	27.929	200	7;22;30
		1200/600	324T	02026EP3QCT324V-W22	\$4,101	H1	318	1.15	24.8	90.2	29.620	460	7;23;30
25/6.3	18.5/4.6	1800/900	284/6T	02589EP3QCT286VF1-W2	\$4,199	H1	500	1.25	29.4	91.7	27.929	460	23;30
		1800/900	284/6T	02589EP3QCT286V-W22	\$4,199	H1	512	1.25	29.4	91.7	27.929	460	7;23;30
		1800/900	284/6T	02589EP3HCT286VF1-W2	\$4,199	H1	500	1.25	23.5	91.7	27.929	575	23;30
		1800/900	284/6T	02589EP3HCT286V-W22	\$4,199	H1	512	1.25	23.5	91.7	27.929	575	7;23;30
		1800/900	284/6T	02589EP3PCT286VF1-W2	\$4,199	H1	512	1.25	67.6	91.7	27.929	200	23;30
		1800/900	324T	02589EP3QCT324V2F1-W	\$5,826	H1	531	1.25	30.9	91.7	29.620	460	22;30
		1800/900	324T	02589EP3QCT324V2-W22	\$5,826	H1	580	1.25	30.9	91.7	29.620	460	7;22;30
		1800/900	324T	02589EP3PCT324V2F1-W	\$5,826	H1	531	1.25	71.1	91.7	29.620	200	22;30
		1800/900	324T	02589EP3PCT324V2-W22	\$5,826	H1	531	1.25	71.1	91.7	29.620	200	7;22;30
		1200/600	324/6T	02526EP3QCT326V-W22	\$6,222	H1	512	1.15	29.9	90.2	31.116	460	7;23;30

continued on next page

Please refer to back cover for description of "NOTES"

For detailed specifications, data sheets, drawings and performance curves visit <http://www.weg.net>



COOLING TOWER MOTORS - THREE-PHASE

TEFC - Dual Speed (1 & 2 Windings) - High Efficiency - *continued*

HP	KW	RPM	Frame	Catalog Number	List Price	Mult. Symbol	Approx. Shipping Weight (lbs)	Service Factor	FL Amps @ High	FL Eff (%)	"C" Dimension (in)	Voltage (V)	Notes
30/7.5	22/5.5	1800/900	324T	03089EP3QCT324VF1-W2	\$4,725	H1	578	1.25	37.2	91.7	29.620	460	23;30
		1800/900	324T	03089EP3QCT324V-W22	\$4,725	H1	578	1.25	37.2	91.7	29.620	460	7;23;30
		1800/900	324T	03089EP3HCT324VF1-W2	\$4,725	H1	542	1.25	29.8	91.7	29.620	575	23;30
		1800/900	324T	03089EP3HCT324V-W22	\$4,725	H1	542	1.25	29.8	91.7	29.620	575	7;23;30
		1800/900	324T	03089EP3PCT324VF1-W2	\$4,725	H1	581	1.25	85.5	91.7	29.620	200	23;30
		1800/900	324T	03089EP3PCT324V-W22	\$4,725	H1	542	1.25	85.5	91.7	29.620	200	7;23;30
		1800/900	324/6T	03089EP3QCT326V2F1-W	\$6,995	H1	625	1.25	37.4	92.4	31.116	460	22;30
		1800/900	324/6T	03089EP3QCT326V2-W22	\$6,995	H1	625	1.25	37.4	92.4	31.116	460	7;22;30
		1800/900	324/6T	03089EP3PCT326V2F1-W	\$6,995	H1	625	1.25	86.0	92.4	31.116	200	22;30
		1800/900	324/6T	03089EP3PCT326V2-W22	\$6,995	H1	625	1.25	86.0	92.4	31.116	200	7;22;30
		1200/600	364/5T	03026EP3QCT364V-W22	\$7,435	H1	542	1.15	35.4	91.7	34.251	460	7;23;30
40/10	30/7.5	1800/900	324/6T	04089EP3QCT326VF1-W2	\$5,464	H1	640	1.25	47.9	92.4	31.116	460	23;30
		1800/900	324/6T	04089EP3QCT326V-W22	\$5,464	H1	625	1.25	47.9	92.4	31.116	460	7;23;30
		1800/900	324/6T	04089EP3HCT326VF1-W2	\$5,464	H1	625	1.25	38.3	92.4	31.116	575	23;30
		1800/900	324/6T	04089EP3HCT326V-W22	\$5,464	H1	625	1.25	38.3	92.4	31.116	575	7;23;30
		1800/900	324/6T	04089EP3PCT326VF1-W2	\$5,464	H1	625	1.25	110	92.4	31.116	200	23;30
		1800/900	324/6T	04089EP3PCT326V-W22	\$5,464	H1	625	1.25	110	92.4	31.116	200	7;23;30
		1800/900	364/5T	04089EP3QCT364V2F1-W	\$8,720	H1	986	1.25	46.8	92.4	34.251	460	22;30
		1800/900	364/5T	04089EP3QCT364V2-W22	\$8,720	H1	1029	1.25	46.8	92.4	34.251	460	7;22;30
		1800/900	364/5T	04089EP3PCT364V2F1-W	\$8,720	H1	1029	1.25	108	92.4	34.251	200	22;30
		1800/900	364/5T	04089EP3PCT364V2-W22	\$8,720	H1	1029	1.25	108	92.4	34.251	200	7;22;30
		1200/600	364/5T	04026EP3QCT365VF1-W2	\$9,302	H1	965	1.25	48.9	91.7	34.251	460	23;30
1200/600	364/5T	04026EP3QCT365V-W22	\$9,302	H1	625	1.15	48.9	91.7	34.251	460	7;23;30		
50/12.5	37/9.2	1800/900	364/5T	05089EP3QCT364VF1-W2	\$7,526	H1	968	1.25	59.8	92.4	34.251	460	23;30
		1800/900	364/5T	05089EP3QCT364V-W22	\$7,526	H1	968	1.25	59.8	92.4	34.251	460	7;23;30
		1800/900	364/5T	05089EP3QCT365V2F1-W	\$11,093	H1	1042	1.25	57.0	92.5	34.251	460	22;30
		1800/900	364/5T	05089EP3QCT365V2-W22	\$11,093	H1	1102	1.25	57.0	92.5	34.251	460	7;22;30
		1800/900	364/5T	05089EP3HCT364VF1-W2	\$7,526	H1	1051	1.25	47.8	92.4	34.251	575	23;30
		1800/900	364/5T	05089EP3HCT364V-W22	\$7,526	H1	1051	1.25	47.8	92.4	34.251	575	7;23;30
		1800/900	364/5T	05089EP3PCT364VF1-W2	\$7,526	H1	1051	1.25	138	92.4	34.251	200	23;30
		1800/900	364/5T	05089EP3PCT364V-W22	\$7,526	H1	1051	1.25	138	92.4	34.251	200	7;23;30
		1800/900	364/5T	05089EP3PCT365V2F1-W	\$11,093	H1	1102	1.25	131	92.5	34.251	200	22;30
		1800/900	364/5T	05089EP3PCT365V2-W22	\$11,093	H1	1102	1.25	131	92.5	34.251	200	7;22;30
		1200/600	364/5T	05026EP3QCT365VF1-W2	\$11,051	H1	1051	1.15	59.6	91.7	34.251	460	23;30
1200/600	364/5T	05026EP3QCT365V-W22	\$11,051	H1	1051	1.15	59.6	91.7	34.251	460	7;23;30		
60/15	45/11	1800/900	364/5T	06089EP3QCT365VF1-W2	\$11,068	H1	997	1.25	72.3	93.0	34.251	460	23;30
		1800/900	364/5T	06089EP3QCT365V-W22	\$11,068	H1	1015	1.25	72.3	93.0	34.251	460	7;23;30
		1800/900	364/5T	06089EP3PCT365VF1-W2	\$11,068	H1	1102	1.25	166	93.0	34.251	200	23;30
		1800/900	364/5T	06089EP3PCT365V-W22	\$11,068	H1	1102	1.25	166	93.0	34.251	200	7;23;30
75/18.5	55/13.6	1800/900	404/5T	07589EP3QCT404VF1-W2	\$14,226	H1	1294	1.25	85.3	93.0	39.730	460	23;30
		1800/900	404/5T	07589EP3QCT404V-W22	\$14,226	H1	1294	1.25	85.3	93.0	39.730	460	7;23;30
		1800/900	404/5T	07589EP3PCT404VF1-W2	\$14,226	H1	1245	1.25	196	93.0	39.730	200	23;30
		1800/900	404/5T	07589EP3PCT404V-W22	\$14,226	H1	1245	1.25	196	93.0	39.730	200	7;23;30
100/25	75/18.5	1800/900	444/5T	10089EP3QCT444VF1-W2	\$16,398	H1	2149	1.25	119	94.1	44.950	460	23;30
		1800/900	444/5T	10089EP3QCT444V-W22	\$16,398	H1	2162	1.25	119	94.1	44.950	460	7;23;30
		1800/900	444/5T	10089EP3PCT444VF1-W2	\$16,398	H1	2149	1.25	274	94.1	44.950	200	23;30
		1800/900	444/5T	10089EP3PCT444V-W22	\$16,398	H1	2149	1.25	274	94.1	44.950	200	7;23;30

Air Handling Motors

Please refer to back cover for description of "NOTES"

For detailed specifications, data sheets, drawings and performance curves visit <http://www.weg.net>

Data subject to change without notice.

Can't find what you are looking for? Call 1-800-ASK-4WEG (275-4934)

Air Handling Motors

PAD MOUNT MOTORS

Three-Phase TEAO - NEMA Premium®

These TEAO motors are supplied with a detached terminal box and extended leads for remote installation.

Standard Features:

- Class F insulation (Impregnation Resin and magnet Wire are class H)
- Stainless Steel Nameplate - Laser etched with high contrast background
- Regreasable ball bearings (Frame 254Y and up)



Features that make a difference:

- 1.25 Service Factor
- Detached terminal box and extended leads
- Two stainless steel plates provided

Inverter Rated:

1000 : 1 for variable torque





TEAO - NEMA Premium

HP	kW	RPM	Frame	Catalog Number	List Price	Mult. Symbol	Approx. Shipping Weight (lbs)	Service Factor	FL Amps @ High	FL. Eff (%)	"C" Dimension (in)	Voltage (V)	Notes
1	0.75	3600	145Y	00136ET3EPM143/5Y-W2	\$565	Y1	42	1.25	1.44	81.5	12.110	230/460	
		1800	145Y	00118ET3EPM143/5Y-W2	\$594	Y1	47	1.25	1.47	85.5	12.110	230/460	
1.5	1.1	3600	145Y	00156ET3EPM143/5Y-W2	\$613	Y1	47	1.25	1.96	84.0	12.110	230/460	
		1800	145Y	00158ET3EPM143/5Y-W2	\$617	Y1	52	1.25	2.02	86.5	12.110	230/460	
		1200	184Y	00152ET3EPM182/4Y-W2	\$820	Y1	103	1.25	2.54	87.5	13.803	230/460	
2	1.5	3600	145Y	00236ET3EPM143/5Y-W2	\$661	Y1	52	1.25	2.56	85.5	12.110	230/460	
		1800	145Y	00218ET3EPM143/5Y-W2	\$685	Y1	52	1.25	2.76	86.5	12.110	230/460	
3	2.2	3600	184Y	00336ET3EPM182/4Y-W2	\$847	Y1	104	1.25	3.63	86.5	13.803	230/460	
		1800	184Y	00318ET3EPM182/4Y-W2	\$735	Y1	101	1.25	3.91	89.5	13.803	230/460	
5	3.7	3600	184Y	00536ET3EPM182/4Y-W2	\$985	Y1	112	1.25	5.90	88.5	13.803	230/460	
		1800	184Y	00518ET3EPM182/4Y-W2	\$855	Y1	110	1.25	6.45	89.5	13.803	230/460	
7.5	5.5	3600	215Y	00736ET3EPM213/5Y-W2	\$1,248	Y1	162	1.25	8.76	89.5	17.198	230/460	39
		1800	215Y	00718ET3EPM213/5Y-W2	\$1,240	Y1	170	1.25	9.18	91.7	17.198	230/460	
10	7.5	3600	215Y	01036ET3EPM213/5Y-W2	\$1,477	Y1	185	1.25	11.6	90.2	17.198	230/460	
		1800	215Y	01018ET3EPM213/5Y-W2	\$1,450	Y1	193	1.25	12.4	91.7	17.198	230/460	
15	11	1200	286Y	01512ET3EPM284/6Y-W2	\$3,652	Y1	400	1.25	17.9	91.7	23.938	230/460	
20	15	1200	286Y	02012ET3EPM284/6Y-W2	\$4,437	Y1	422	1.25	24.2	91.7	23.938	230/460	
25	18.5	1800	286Y	02518ET3EPM284/6Y-W2	\$3,071	Y1	414	1.25	29.5	93.6	23.938	230/460	
		1200	326Y	02512ET3EPM324/6Y-W2	\$5,353	Y1	591	1.25	30.4	93.0	26.658	230/460	
30	22	1800	286Y	03018ET3EPM284/6Y-W2	\$3,610	Y1	452	1.25	35.1	93.6	23.938	230/460	
		1200	326Y	03012ET3EPM324/6Y-W2	\$5,906	Y1	639	1.25	36.2	93.0	26.658	230/460	
40	30	1800	326Y	04018ET3EPM324/6Y-W2	\$4,638	Y1	587	1.25	47.1	94.1	26.658	230/460	
50	37	1800	326Y	05018ET3EPM324/6Y-W2	\$5,661	Y1	610	1.25	59.2	94.5	26.658	230/460	

Refer to electrical and mechanical data sections for additional technical information. Please refer to back cover for description of "NOTES"

For detailed specifications, data sheets, drawings and performance curves visit <http://www.weg.net>

Data subject to change without notice.

Can't find what you are looking for? Call 1-800-ASK-4WEG (275-4934)

Pump Motors

JJET PUMP SINGLE-PHASE (56C/56J FRAMES)

TEFC – Foot Mount	A-184
TEFC – Footless	A-184
ODP – Foot Mount	A-185
ODP – Footless	A-185

JET PUMP THREE-PHASE (56C/56J FRAMES)

TEFC – Foot Mount	A-186
TEFC – Footless	A-186
ODP – Foot Mount	A-187
ODP – Footless	A-187

POOL & SPA SINGLE-PHASE MOTORS

ODP – C-Face – Start Capacitor – High Service Factor	A-189
ODP – Square Face – Start Capacitor – High Service Factor	A-189
ODP – C-Face – Start Capacitor – Low Service Factor	A-190
ODP – Square Face – Start Capacitor – Low Service Factor	A-190

CLOSE-COUPLED PUMP TEFC MOTORS

JM – TEFC – Single-Phase	A-191
JP – TEFC – Single-Phase	A-192
JM – TEFC – Three-Phase	A-194
JP – TEFC – Three-Phase	A-198
JP – TEFC – Explosion Proof	A-201

CLOSE-COUPLED PUMP ODP MOTORS

JM – ODP – Single-Phase	A-202
JP – ODP – Single-Phase	A-202
JM – ODP – Three-Phase	A-203
JM – ODP – Three-Phase – Footless Vertical	A-206
JP – ODP – Three-Phase	A-207
JP – ODP – Three-Phase – Footless Vertical	A-210

CLOSE-COUPLED PUMP TEFC MOTORS - WITH INTERNAL AEGIS® SGR

JM – TEFC – Three-Phase	A-212
JP – TEFC – Three-Phase	A-213

CLOSE-COUPLED PUMP ODP MOTORS - WITH INTERNAL AEGIS® SGR

JM – ODP – Three-Phase	A-214
JP – ODP – Three-Phase	A-215

FIRE PUMP MOTORS

ODP – Three-Phase	A-217
ODP – Three-Phase – C-Face	A-219
ODP – Three-Phase – JM - Footless Vertical	A-220
ODP – Three-Phase – JP - Footless Vertical	A-221
TEFC (50Hz) – Three-Phase – IE2	A-223

P-BASE MOTORS

TEFC – Three-Phase – NEMA Premium®	A-225
------------------------------------	-------

Pump Motors

JET PUMP (56C/56J FRAMES)

These versatile motors have the torque and durability for the toughest commercial applications, yet are also economical choices for residential applications. Available with or without base and in “J” and “C” configurations



ODP Single Phase



ODP Three Phase



TEFC Single Phase



TEFC Three Phase

ODP & TEFC - Single Phase

- Insulation class B
- Sealed ball bearings (Drive end)
- NEMA Service factor

ODP & TEFC - Three Phase

- Insulation class B (ODP)
- Insulation class F (TEFC)
- NEMA Service factor

Features that make a difference:

ODP & TEFC - Single Phase

- Automatic Reset Thermal Overload Protector

- Stainless steel shaft end

ODP & TEFC - Three Phase

- Stainless steel shaft end

ADDITIONAL TECHNICAL DATA

CONTACT WEG OR VISIT WWW.WEG.NET



Pump Motors



JET PUMP SINGLE-PHASE (56C/56J FRAMES)



TEFC - Foot Mount

HP	kW	RPM	Frame	Catalog Number	List Price	Mult. Symbol	Approx. Shipping Weight (lbs)	Service Factor	FL Amps @ High	FL. Eff (%)	"C" Dimension (in)	Voltage (V)	Notes
0.33	0.25	3600	W56C	.3336ES1BJPW56C-S	\$263	P1A	24	1.15	2.60	54.0	11.106	115/208-230	3;9
		3600	W56J	.3336ES1BJPW56J-S	\$282	P1B	22	1.15	2.60	54.0	11.606	115/208-230	3;9
0.5	0.37	3600	W56C	.5036ES1BJPW56C-S	\$284	P1A	26	1.15	3.50	60.0	11.500	115/208-230	3;9
		3600	W56J	.5036ES1BJPW56J-S	\$300	P1B	24	1.15	3.50	58.0	12.000	115/208-230	3;9
0.75	0.55	3600	56C	.7536ES1BJP56C-S	\$320	P1A	29	1.15	4.00	66.0	12.720	115/208-230	3;9
		3600	56J	.7536ES1BJP56J-S	\$330	P1B	29	1.15	4.00	64.0	13.220	115/208-230	3;9
1	0.75	3600	56C	00136ES1BJP56C-S	\$344	P1A	32	1.15	5.10	70.0	13.114	115/208-230	3;9
		3600	56J	00136ES1BJP56J-S	\$374	P1B	33	1.15	5.10	67.0	13.614	115/208-230	3;9
1.5	1.1	3600	56C	00156ES1BJP56C-S	\$412	P1A	37	1.15	6.60	75.0	13.902	115/208-230	3;9
		3600	56J	00156ES1BJP56J-S	\$425	P1B	37	1.15	6.60	70.0	14.402	115/208-230	3;9
2	1.5	3600	56HC	00236ES1BJP56C-S	\$487	P1A	42	1.15	8.70	74.0	14.295	115/208-230	3;9
		3600	56HJ	00236ES1BJP56J-S	\$486	P1B	42	1.15	8.70	74.0	14.795	115/208-230	3;9
3	2.2	3600	56HC	00336ES1DJP56C-S	\$548	P1A	51	1.15	12.7	80.0	15.476	230	3;9
		3600	56HJ	00336ES1DJP56J-S	\$557	P1B	53	1.15	12.7	80.0	15.976	230	3;9



TEFC - Footless

HP	kW	RPM	Frame	Catalog Number	List Price	Mult. Symbol	Approx. Shipping Weight (lbs)	Service Factor	FL Amps @ High	FL. Eff (%)	"C" Dimension (in)	Voltage (V)	Notes
0.33	0.25	3600	W56C	.3336ES1BJPRW56C-S	\$282	P1A	24	1.15	2.60	54.0	11.106	115/208-230	3;9;20
		3600	W56J	.3336ES1BJPRW56J-S	\$296	P1B	21	1.15	2.60	54.0	11.606	115/208-230	3;9;20
0.5	0.37	3600	W56C	.5036ES1BJPRW56C-S	\$299	P1A	26	1.15	3.50	60.0	11.500	115/208-230	3;9;20
		3600	W56J	.5036ES1BJPRW56J-S	\$305	P1B	24	1.15	3.50	60.0	12.000	115/208-230	3;9;20
0.75	0.55	3600	56C	.7536ES1BJPR56C-S	\$341	P1A	29	1.15	4.00	66.0	12.720	115/208-230	3;9;20
		3600	56J	.7536ES1BJPR56J-S	\$336	P1B	29	1.15	4.00	64.0	13.220	115/208-230	3;9;20
1	0.75	3600	56C	00136ES1BJPR56C-S	\$357	P1A	32	1.15	5.10	70.0	13.114	115/208-230	3;9;20
		3600	56J	00136ES1BJPR56J-S	\$386	P1B	32	1.15	5.10	67.0	13.614	115/208-230	3;9;20
1.5	1.1	3600	56C	00156ES1BJPR56C-S	\$432	P1A	37	1.15	6.60	75.0	13.902	115/208-230	3;9;20
		3600	56J	00156ES1BJPR56J-S	\$438	P1B	37	1.15	6.60	75.0	14.402	115/208-230	3;9;20
2	1.5	3600	56C	00236ES1BJPR56C-S	\$494	P1A	42	1.15	8.70	77.0	14.295	115/208-230	3;9;20
		3600	56J	00236ES1BJPR56J-S	\$498	P1B	41	1.15	8.70	77.0	14.795	115/208-230	3;9;20
3	2.2	3600	56C	00336ES1DJPR56C-S	\$555	P1A	51	1.15	12.7	80.0	15.476	230	3;9;20
		3600	56J	00336ES1DJPR56J-S	\$573	P1B	53	1.15	12.7	80.0	15.976	230	3;9;20



JET PUMP SINGLE-PHASE (56C/56J FRAMES)

ODP - Foot Mount

HP	kW	RPM	Frame	Catalog Number	List Price	Mult. Symbol	Approx. Shipping Weight (lbs)	Service Factor	FL Amps @ High	FL. Eff (%)	"C" Dimension (in)	Voltage (V)	Notes
0.33	0.25	3600	W56J	.33360S1BJPW56J-S	\$254	P1B	19	1.75	2.50	59.0	10.366	115/208-230	3;9
0.5	0.37	3600	W56J	.50360S1BJPW56J-S	\$258	P1B	22	1.60	3.30	65.0	10.760	115/208-230	3;9
0.75	0.55	3600	W56J	.75360S1BJPW56J-S	\$296	P1B	25	1.50	4.80	68.3	11.154	115/208-230	3;9
1	0.75	3600	56J	001360S1BJP56J-S	\$334	P1B	29	1.40	6.40	68.0	12.008	115/208-230	3;9
1.5	1.1	3600	56J	001560S1BJP56J-S	\$382	P1B	33	1.30	8.60	72.0	12.402	115/208-230	3;9
2	1.5	3600	56J	002360S1BJP56J-S	\$438	P1B	41	1.20	10.9	75.0	13.189	115/208-230	3;9
3	2.2	3600	56J	003360S1DJP56J-S	\$499	P1B	46	1.15	13.2	78.0	13.976	230	3;9



ODP - Footless

HP	kW	RPM	Frame	Catalog Number	List Price	Mult. Symbol	Approx. Shipping Weight (lbs)	Service Factor	FL Amps @ High	FL. Eff (%)	"C" Dimension (in)	Voltage (V)	Notes
0.33	0.25	3600	W56C	.33360S1BJPRW56C-S	\$237	P1A	19	1.75	2.50	59.0	9.866	115/208-230	3;9;20
		3600	W56J	.33360S1BJPRW56J-S	\$255	P1B	19	1.75	2.50	59.0	10.366	115/208-230	3;9;20
0.5	0.37	3600	W56C	.50360S1BJPRW56C-S	\$255	P1A	21	1.60	3.30	65.0	10.260	115/208-230	3;9;20
		3600	W56J	.50360S1BJPRW56J-S	\$258	P1B	21	1.60	3.30	65.0	10.760	115/208-230	3;9;20
0.75	0.55	3600	W56C	.75360S1BJPRW56C-S	\$297	P1A	24	1.50	4.80	67.0	10.654	115/208-230	3;9;20
		3600	W56J	.75360S1BJPRW56J-S	\$296	P1B	24	1.50	4.80	68.3	11.154	115/208-230	3;9;20
1	0.75	3600	56C	001360S1BJPR56C-S	\$317	P1A	32	1.40	6.40	68.0	11.496	115/208-230	3;9;20
		3600	56J	001360S1BJPR56J-S	\$334	P1B	29	1.40	6.40	66.3	12.008	115/208-230	3;9;20
1.5	1.1	3600	56C	001560S1BJPR56C-S	\$338	P1A	36	1.30	8.60	72.0	11.890	115/208-230	3;9;20
		3600	56J	001560S1BJPR56J-S	\$382	P1B	33	1.30	8.60	73.2	12.402	115/208-230	3;9;20
2	1.5	3600	56C	002360S1BJPR56C-S	\$424	P1A	40	1.20	10.9	75.0	12.677	115/208-230	3;9;20
		3600	56J	002360S1BJPR56J-S	\$438	P1B	40	1.20	10.9	75.0	13.189	115/208-230	3;9;20
3	2.2	3600	56C	003360S1DJPR56C-S	\$482	P1A	45	1.15	13.2	77.1	13.465	230	3;9;20
		3600	56J	003360S1DJPR56J-S	\$499	P1B	45	1.15	13.2	77.1	13.976	230	3;9;20

Please refer to back cover for description of "NOTES"

For detailed specifications, data sheets, drawings and performance curves visit <http://www.weg.net>

Data subject to change without notice.

Can't find what you are looking for? Call 1-800-ASK-4WEG (275-4934)

Pump Motors



JET PUMP THREE-PHASE (56C/56J FRAMES)



TEFC - Foot Mount

HP	kW	RPM	Frame	Catalog Number	List Price	Mult. Symbol	Approx. Shipping Weight (lbs)	Service Factor	FL Amps @ High	FL. Eff (%)	"C" Dimension (in)	Voltage (V)	Notes
0.33	0.25	3600	56J	.3336ES3EJP56J-S	\$259	P1B	24	1.15	0.60	62.0	11.654	208-230/460	9
0.5	0.37	3600	56J	.5036ES3EJP56J-S	\$267	P1B	26	1.15	0.80	68.0	12.047	208-230/460	9
0.75	0.55	3600	56J	.7536ES3EJP56J-S	\$301	P1B	27	1.15	1.10	72.0	12.047	208-230/460	9
		3600	56J	.7536ES3HJP56J-S	\$301	P1B	27	1.15	0.90	72.0	12.047	575	9
1	0.75	3600	W56J	00136ET3EJPW56J-S	\$434	P1B	25	1.15	1.50	78.5	11.606	230/460	9
		3600	W56J	00136ET3HJPW56J-S	\$434	P1B	25	1.15	1.20	78.5	11.606	575	9
1.5	1.1	3600	56J	00156ET3EJP56J-S	\$473	P1B	41	1.15	1.90	84.0	13.614	230/460	9
		3600	56J	00156ET3HJP56J-S	\$473	P1B	41	1.15	1.50	84.0	13.614	575	9
2	1.5	3600	56J	00236ET3EJP56J-S	\$535	P1B	46	1.15	2.50	85.5	14.402	230/460	9
		3600	56J	00236ET3HJP56J-S	\$535	P1B	46	1.15	2.00	85.5	14.402	575	9
3	2.2	3600	56J	00336ET3EJP56J-S	\$634	P1B	55	1.15	3.50	86.5	15.583	230/460	9
		3600	56J	00336ET3HJP56J-S	\$634	P1B	55	1.15	2.80	86.5	15.583	575	9



TEFC - Footless

HP	kW	RPM	Frame	Catalog Number	List Price	Mult. Symbol	Approx. Shipping Weight (lbs)	Service Factor	FL Amps @ High	FL. Eff (%)	"C" Dimension (in)	Voltage (V)	Notes
0.33	0.25	3600	56C	.3336ES3EJPR56C-S	\$257	P1A	24	1.15	0.60	62.0	11.142	208-230/460	9;20
		3600	56J	.3336ES3EJPR56J-S	\$268	P1B	24	1.15	0.60	62.0	11.654	208-230/460	9;20
0.5	0.37	3600	56C	.5036ES3EJPR56C-S	\$270	P1A	26	1.15	0.80	68.0	11.535	208-230/460	9;20
		3600	56J	.5036ES3EJPR56J-S	\$282	P1B	26	1.15	0.80	68.0	12.047	208-230/460	9;20
0.75	0.55	3600	56C	.7536ES3EJPR56C-S	\$293	P1A	27	1.15	1.10	72.0	11.535	208-230/460	9;20
		3600	56J	.7536ES3EJPR56J-S	\$319	P1B	27	1.15	1.10	72.0	12.047	208-230/460	9;20
1	0.75	3600	W56C	00136ET3EJPRW56C-S	\$425	P1A	25	1.15	1.50	78.5	11.106	230/460	9;20
		3600	W56J	00136ET3EJPRW56J-S	\$429	P1B	25	1.15	1.50	78.5	11.606	230/460	9;20
1.5	1.1	3600	56C	00156ET3EJPR56C-S	\$455	P1A	39	1.15	1.90	84.0	13.114	230/460	9;20
		3600	56J	00156ET3EJPR56J-S	\$468	P1B	41	1.15	1.90	84.0	13.614	230/460	9;20
		3600	56J	00156ET3HJPR56J-S	\$468	P1B	41	1.15	1.50	84.0	13.614	575	9;20
2	1.5	3600	56C	00236ET3EJPR56C-S	\$490	P1A	46	1.15	2.50	85.5	13.901	230/460	9;20
		3600	56J	00236ET3EJPR56J-S	\$525	P1B	46	1.15	2.50	85.5	14.402	230/460	9;20
		3600	56J	00236ET3HJPR56J-S	\$525	P1B	46	1.15	2.00	85.5	14.402	575	9;20
3	2.2	3600	56C	00336ET3EJPR56C-S	\$602	P1A	55	1.15	3.50	86.5	15.083	230/460	9;20
		3600	56J	00336ET3EJPR56J-S	\$624	P1B	55	1.15	3.50	86.5	15.583	230/460	9;20

Pump Motors

Please refer to back cover for description of "NOTES"

For detailed specifications, data sheets, drawings and performance curves visit <http://www.weg.net>



JET PUMP THREE-PHASE (56C/56J FRAMES)

ODP - Foot Mount

HP	kW	RPM	Frame	Catalog Number	List Price	Mult. Symbol	Approx. Shipping Weight (lbs)	Service Factor	FL Amps @ High	FL. Eff (%)	"C" Dimension (in)	Voltage (V)	Notes
0.33	0.25	3600	56J	.33360S3EJP56J-S	\$224	P1B	21	1.75	0.60	68.0	10.827	208-230/460	9
		3600	56J	.50360S3EJP56J-S	\$236	P1B	21	1.60	0.90	68.0	10.827	208-230/460	9
0.5	0.37	3600	56J	.50360S3HJP56J-S	\$236	P1B	21	1.60	0.70	70.0	10.827	575	9
		3600	56J	.75360S3EJP56J-S	\$271	P1B	24	1.50	1.20	72.0	11.220	208-230/460	9
0.75	0.55	3600	56J	.75360S3HJP56J-S	\$271	P1B	24	1.50	1.00	72.0	11.220	575	9
		3600	56J	.001360S3EJP56J-S	\$286	P1B	25	1.40	1.50	74.0	11.220	208-230/460	9
1	0.75	3600	56J	.001360S3HJP56J-S	\$286	P1B	25	1.40	1.20	75.5	11.220	575	9
		3600	56J	.001560S3EJP56J-S	\$296	P1B	28	1.30	2.10	77.0	11.614	208-230/460	9
1.5	1.1	3600	56J	.001560S3HJP56J-S	\$296	P1B	28	1.30	1.70	77.0	11.614	575	9
		3600	56HJ	.002360S3EJP56J-S	\$316	P1B	32	1.20	2.80	78.5	12.008	208-230/460	9
2	1.5	3600	56HJ	.002360S3HJP56J-S	\$316	P1B	32	1.20	2.30	78.5	12.008	575	9
		3600	56HJ	.003360S3EJP56J-S	\$339	P1B	38	1.15	3.90	81.5	12.795	208-230/460	9
3	2.2	3600	56HJ	.003360S3HJP56J-S	\$339	P1B	38	1.15	3.10	81.5	12.795	575	9



ODP - Footless

HP	kW	RPM	Frame	Catalog Number	List Price	Mult. Symbol	Approx. Shipping Weight (lbs)	Service Factor	FL Amps @ High	FL. Eff (%)	"C" Dimension (in)	Voltage (V)	Notes
0.33	0.25	3600	56C	.33360S3EJPR56C-S	\$220	P1A	22	1.75	0.60	68.0	10.315	208-230/460	9;20
		3600	56J	.33360S3EJPR56J-S	\$229	P1B	21	1.75	0.60	66.0	10.827	208-230/460	9;20
0.5	0.37	3600	56C	.50360S3EJPR56C-S	\$224	P1A	29	1.60	0.90	70.0	10.315	208-230/460	9;20
		3600	56J	.50360S3EJPR56J-S	\$241	P1B	21	1.60	0.90	68.0	10.827	208-230/460	9;20
0.75	0.55	3600	56C	.75360S3EJPR56C-S	\$257	P1A	24	1.5	1.2	70	10.709	208-230/460	9;20
		3600	56J	.75360S3EJPR56J-S	\$278	P1B	24	1.5	1.2	72	11.22	208-230/460	9;20
		3600	56C	.75360S3HJPR56C-S	\$257	P1A	24	1.5	1	70	10.709	575	9;20
		3600	56J	.75360S3HJPR56J-S	\$277	P1B	24	1.50	1.00	70.0	11.220	575	9;20
1	0.75	3600	56C	.001360S3EJPR56C-S	\$274	P1A	25	1.40	1.50	75.5	10.709	208-230/460	9;20
		3600	56J	.001360S3EJPR56J-S	\$287	P1B	25	1.40	1.50	74.0	11.220	208-230/460	9;20
1.5	1.1	3600	56C	.001560S3EJPR56C-S	\$290	P1A	28	1.30	2.10	77.0	11.102	208-230/460	9;20
		3600	56J	.001560S3EJPR56J-S	\$305	P1B	28	1.30	2.10	77.0	11.614	208-230/460	9;20
		3600	56C	.001560S3HJPR56C-S	\$290	P1A	28	1.30	1.70	77.0	11.102	575	9;20
2	1.5	3600	56C	.002360S3EJPR56C-S	\$311	P1A	30	1.20	2.80	78.5	11.496	208-230/460	9;20
		3600	56J	.002360S3EJPR56J-S	\$321	P1B	32	1.20	2.80	78.5	12.008	208-230/460	9;20
		3600	56C	.002360S3HJPR56C-S	\$311	P1A	30	1.20	2.30	78.5	11.496	575	9;20
		3600	56J	.002360S3HJPR56J-S	\$321	P1B	32	1.20	2.30	78.5	12.008	575	9;20
3	2.2	3600	56C	.003360S3EJPR56C-S	\$332	P1A	35	1.15	3.90	81.5	12.283	208-230/460	9;20
		3600	56J	.003360S3EJPR56J-S	\$350	P1B	38	1.15	3.90	81.5	12.795	208-230/460	9;20

Please refer to back cover for description of "NOTES"

For detailed specifications, data sheets, drawings and performance curves visit <http://www.weg.net>

Data subject to change without notice.

Can't find what you are looking for? Call 1-800-ASK-4WEG (275-4934)

Pump Motors

POOL & SPA MOTORS

ODP

These motors are specially designed for pool duty. Available in high and low Service Factor.

Standard Features:

- C-Face is cast iron; square flange is aluminum
- Class B insulation



C-Face



Square Face

Features that make a difference:

- Dual compartment for easy maintenance
- Rated for 50 degrees Celsius ambient temperature
- Stainless steel shaft (AISI 316)
- Automatic Reset thermal overload protection
- Threaded shaft
- Internal and external grounding
- Terminal box threaded NPT 1/2"
- Sealed bearings
- Drive endshield sealing (V'ring for C-face, Lip Seal for Square flange)
- Epoxy coating

ADDITIONAL TECHNICAL DATA

CONTACT WEG OR VISIT WWW.WEG.NET





ODP - C-Face - Start Capacitor - High Service Factor

HP	kW	RPM	Frame	Catalog Number	List Price	Mult. Symbol	Approx. Shipping Weight (lbs)	Service Factor	FL Amps @ High	FL Eff (%)	"C" Dimension (in)	Voltage (V)	Notes
0.50	0.37	3600	K56J	PCJ105H	\$236	P1D	23	1.60	4.55	60.4	13.898	115/230	3;9;20
0.75	0.55	3600	K56J	PCJ107H	\$263	P1D	27	1.50	5.60	65.8	13.898	115/230	3;9;20
1	0.75	3600	L56J	PCJ110H	\$300	P1D	30	1.40	7.05	69.7	14.488	115/230	3;9;20
1.5	1.1	3600	M56J	PCJ115H	\$400	P1D	33	1.30	7.50	76.3	15.079	230	3;9;20
2	1.5	3600	M56J	PCJ120H	\$486	P1D	34	1.20	9.20	78.3	15.079	230	3;9;20



ODP - Square Face - Start Capacitor - High Service Factor

HP	kW	RPM	Frame	Catalog Number	List Price	Mult. Symbol	Approx. Shipping Weight (lbs)	Service Factor	FL Amps @ High	FL Eff (%)	"C" Dimension (in)	Voltage (V)	Notes
0.33	0.25	3600	K48Y	PCQ103H	\$231	P1D	20	1.95	3.45	55.0	12.913	115/230	3;9;20
0.50	0.37	3600	K48Y	PCQ105H	\$241	P1D	22	1.90	4.55	60.4	12.913	115/230	3;9;20
0.75	0.55	3600	K48Y	PCQ107H	\$275	P1D	26	1.65	5.60	65.8	12.913	115/230	3;9;20
1	0.75	3600	L48Y	PCQ110H	\$320	P1D	29	1.65	7.05	69.7	13.504	115/230	3;9;20
1.5	1.1	3600	M48Y	PCQ115H	\$411	P1D	32	1.50	7.50	76.3	14.094	230	3;9;20
2	1.5	3600	M48Y	PCQ120H	\$500	P1D	33	1.30	9.20	78.3	14.094	230	3;9;20

Please refer to back cover for description of "NOTES"

For detailed specifications, data sheets, drawings and performance curves visit <http://www.weg.net>

Data subject to change without notice.

Can't find what you are looking for? Call 1-800-ASK-4WEG (275-4934)



ODP - C-Face - Start Capacitor - Low Service Factor

HP	kW	RPM	Frame	Catalog Number	List Price	Mult. Symbol	Approx. Shipping Weight (lbs)	Service Factor	FL Amps @ High	FL Eff (%)	"C" Dimension (in)	Voltage (V)	Notes
0.75	0.55	3600	K56J	PCJ107	\$236	P1D	23	1.30	5.10	66.2	13.898	115/230	3;9;20
1	0.75	3600	K56J	PCJ110	\$263	P1D	26	1.25	6.25	70.1	13.898	115/230	3;9;20
1.5	1.1	3600	L56J	PCJ115	\$300	P1D	30	1.10	8.85	69.6	14.488	115/230	3;9;20
2	1.5	3600	M56J	PCJ120	\$400	P1D	33	1.10	9.30	76.6	15.079	230	3;9;20
2.5	1.9	3600	M56J	PCJ125	\$486	P1D	34	1.04	10.8	80.7	15.079	230	3;9;20



ODP - Square Face - Start Capacitor - Low Service Factor

HP	kW	RPM	Frame	Catalog Number	List Price	Mult. Symbol	Approx. Shipping Weight (lbs)	Service Factor	FL Amps @ High	FL Eff (%)	"C" Dimension (in)	Voltage (V)	Notes
0.50	0.37	3600	K48Y	PCQ105	\$231	P1D	20	1.30	3.75	61.8	12.913	115/230	3;9;20
0.75	0.55	3600	K48Y	PCQ107	\$241	P1D	22	1.30	5.10	66.2	12.913	115/230	3;9;20
1	0.75	3600	K48Y	PCQ110	\$275	P1D	26	1.25	6.25	70.1	12.913	115/230	3;9;20
1.5	1.1	3600	L48Y	PCQ115	\$320	P1D	29	1.10	8.85	69.6	13.504	115/230	3;9;20
2	1.5	3600	M48Y	PCQ120	\$411	P1D	32	1.10	9.30	76.6	14.094	230	3;9;20
2.5	1.9	3600	M48Y	PCQ125	\$500	P1D	33	1.04	10.8	80.7	14.094	230	3;9;20



JM - TEFC - Single-Phase

HP	kW	RPM	Frame	Catalog Number	List Price	Mult. Symbol	Approx. Shipping Weight (lbs)	Service Factor	FL Amps @ High	FL. Eff (%)	"C" Dimension (in)	Voltage (V)	Notes
0.5	0.37	3600	143JM	.5036ES1E143JM	\$668	P1	26	1.15	1.90	60.0	15.866	208-230/460	
		1800	143JM	00136ES1E143JM	\$682	P1	53	1.15	3.15	67.0	15.866	208-230/460	
1	0.75	3600	143JM	00118ES1E143JM	\$687	P1	60	1.15	2.65	75.0	15.866	208-230/460	
		1800	143JM	00156ES1E143JM	\$729	P1	56	1.15	3.90	73.0	15.866	208-230/460	
1.5	1.1	3600	145JM	00158ES1E145JM	\$754	P1	67	1.15	3.60	77.0	16.458	208-230/460	
		1800	145JM	00236ES1E145JM	\$770	P1	61	1.15	4.90	79.0	16.458	208-230/460	
2	1.5	3600	145JM	00218ES1E145JM	\$814	P1	67	1.15	4.60	78.0	16.458	208-230/460	
		1800	145JM	00336ES1E145JM	\$1,076	P1	70	1.15	6.75	79.0	16.458	208-230/460	
3	2.2	3600	145JM	00336ES1C145JM	\$1,076	P1	70	1.15	13.5	79.0	16.458	208-230	
		3600	145JM	00336ES1B145JM	\$1,076	P1	61	1.15	13.5	79.0	16.458	115/208-230	
		1800	184JM	00318ES1E184JM	\$1,182	P1	101	1.15	6.80	77.0	17.368	208-230/460	
		1800	184JM	00318ES1B184JM	\$1,182	P1	100	1.15	13.6	77.0	17.368	115/208-230	
		3600	184JM	00536ES1E184JM	\$1,457	P1	110	1.15	10.5	83.0	17.368	208-230/460	
5	3.7	3600	184JM	00536ES1C184JM	\$1,457	P1	111	1.15	21.0	83.0	17.368	208-230	
		3600	184JM	00536ES1B184JM	\$1,457	P1	111	1.15	21.0	83.0	17.368	115/208-230	
		1800	184JM	00518ES1E184JM	\$1,430	P1	121	1.15	10.7	79.0	17.368	208-230/460	
		1800	184JM	00518ES1B184JM	\$1,430	P1	120	1.15	21.4	79.0	17.368	115/208-230	
		3600	213JM	00736ES1E213JM	\$1,641	P1	153	1.15	14.9	86.0	18.904	208-230/460	
7.5	5.5	3600	213JM	00736ES1C213JM	\$1,641	P1	153	1.15	29.8	86.0	18.904	208-230	
		1800	215JM	00718ES1E215JM	\$1,762	P1	168	1.15	17.0	83.0	20.400	208-230/460	
		1800	215JM	00718ES1C215JM	\$1,766	P1	168	1.15	34.0	83.0	20.400	208-230	
10	7.5	3600	215JM	01036ES1E215JM	\$2,172	P1	167	1.15	19.4	86.0	20.400	208-230/460	
		3600	215JM	01036ES1C215JM	\$2,172	P1	167	1.15	38.8	86.0	20.400	208-230	
		1800	215JM	01018ES1E215JM	\$2,057	P1	193	1.15	19.5	84.0	20.400	208-230/460	
		1800	215JM	01018ES1C215JM	\$2,057	P1	193	1.15	39.0	84.0	20.400	208-230	

Please refer to back cover for description of "NOTES"

For detailed specifications, data sheets, drawings and performance curves visit <http://www.weg.net>

Data subject to change without notice.

Can't find what you are looking for? Call 1-800-ASK-4WEG (275-4934)

Pump Motors



CLOSE-COUPLED PUMP TEFC MOTORS

JP - TEFC - Single-Phase

HP	kW	RPM	Frame	Catalog Number	List Price	Mult. Symbol	Approx. Shipping Weight (lbs)	Service Factor	FL Amps @ High	FL. Eff (%)	"C" Dimension (in)	Voltage (V)	Notes
0.5	0.37	3600	143JP	.5036ES1E143JP	\$668	P1	26	1.15	1.90	60.0	18.519	208-230/460	
1	0.75	1800	143JP	00118ES1E143JP	\$687	P1	61	1.15	2.65	75.0	18.519	208-230/460	
1.5	1.1	3600	143JP	00156ES1E143JP	\$729	P1	37	1.15	3.90	73.0	18.519	208-230/460	
		1800	145JP	00158ES1E145JP	\$754	P1	49	1.15	3.60	77.0	19.519	208-230/460	
2	1.5	3600	145JP	00236ES1E145JP	\$770	P1	45	1.15	4.90	79.0	19.519	208-230/460	
		1800	145JP	00218ES1E145JP	\$814	P1	54	1.15	4.60	78.0	19.519	208-230/460	
3	2.2	3600	145JP	00336ES1E145JP	\$1,076	P1	71	1.15	6.75	79.0	19.519	208-230/460	
		3600	145JP	00336ES1B145JP	\$1,076	P1	62	1.15	13.5	79.0	19.519	115/208-230	
		1800	184JP	00318ES1E184JP	\$1,182	P1	131	1.15	6.80	77.0	20.429	208-230/460	
		1800	184JP	00318ES1B184JP	\$1,182	P1	131	1.15	13.6	77.0	20.429	115/208-230	
5	3.7	3600	184JP	00536ES1E184JP	\$1,457	P1	117	1.15	10.5	83.0	20.429	208-230/460	
		3600	184JP	00536ES1B184JP	\$1,457	P1	116	1.15	21.0	83.0	20.429	115/208-230	
		1800	184JP	00518ES1E184JP	\$1,430	P1	153	1.15	10.7	79.0	20.429	208-230/460	
		1800	184JP	00518ES1B184JP	\$1,430	P1	153	1.15	21.4	79.0	20.429	115/208-230	
7.5	5.5	3600	213JP	00736ES1E213JP	\$1,641	P1	163	1.15	14.9	86.0	22.776	208-230/460	
		3600	213JP	00736ES1C213JP	\$1,641	P1	163	1.15	29.8	86.0	22.776	208-230	
		1800	215JP	00718ES1E215JP	\$1,762	P1	179	1.15	17.0	83.0	24.272	208-230/460	
10	7.5	3600	215JP	01036ES1E215JP	\$2,172	P1	177	1.15	19.4	86.0	24.272	208-230/460	
		3600	215JP	01036ES1C215JP	\$2,172	P1	177	1.15	38.8	86.0	24.272	208-230	
		1800	215JP	01018ES1E215JP	\$2,057	P1	203	1.15	19.5	84.0	24.272	208-230/460	

Pump Motors

CLOSE-COUPLED PUMP MOTORS

ODP - Three Phase

WEG Open Drip Proof motors are designed to meet demanding applications in environments where dirt and humidity are minimal. These motors are specifically designed to provide maximum ventilation and heat dissipation.



Inverter Rated: 1000 : 1 for variable torque

Features that make a difference:

- 50/60 Hz rated (380V on Nameplate - 400/415 Available - Same Horse Power at 50 Hz with a 1.0 Service Factor)
- Class F insulation (Impregnation Resin and Magnet wire are class H)
- F1 Mounted (Cast Iron Frame motors are F2 convertible)
- Stainless Steel Nameplate - Laser etched with high contrast background (Cast Iron Frame only)
- Regreasable ball bearings (Frames 254JM/JP and up)
- Aegis Ring™ inside available

TEFC - Three Phase

High performance with maximum energy efficiency, this is the meaning of the new WEG electric motor. High efficiency and Low cost of Ownership throughout the entire motor lifetime have been the basis for the W22 development. A design created to anticipate concepts on performance and energy savings.

WEG's W22 cast iron platform has an improved cooling system and solid feet for cooler operation and reduced vibration and noise extending the life of the motor.



Inverter Rated: 1000 : 1 for variable torque

Features that make a difference:

- 1.25 Service Factor
- Optimized ventilation system for cooler operation and reduced noise levels
- Solid base for reduced vibration levels
- NPT Threaded terminal box
- Aegis Ring™ inside available

Standard Features:

- 50/60 Hz rated (380V on Nameplate - 400/415 Available - Same Horse Power at 50 Hz with a 1.0 Service Factor)
- Class F insulation (Impregnation Resin and Magnet wire are class H)
- F1 Mounted (Cast Iron frames are F2 convertible)
- Stainless Steel Nameplate - Laser etched with high contrast background (cast iron fram only)
- Regreasable ball bearings (Frames 254JM/JP and up)
- Gasketed conduit box
- Class I, Div. 2, Groups A, B, C & D – T3, Class II, Div 2, Groups F & G – T3C

ADDITIONAL TECHNICAL DATA

ELECTRICAL DATA: TEFC Rolled Steel B-32 & B-35

TEFC W22 - B-33 & B-36

ODP RS - B-38 & B-40

ODP Cast Iron - B-39 & B-41

MECHANICAL DATA: TEFC RS - B-93 & B-98

TEFC W22 - B-95 & B-100

ODP RS - B-103

ODP Cast Iron - CONTACT WEG OR

VISIT WWW.WEG.NET

Please refer to back cover for description of "NOTES"

For detailed specifications, data sheets, drawings and performance curves visit <http://www.weg.net>

Data subject to change without notice.

Can't find what you are looking for? Call 1-800-ASK-4WEG (275-4934)

Pump Motors

CLOSE-COUPLED PUMP TEFC MOTORS



JM - TEFC - Three-Phase

HP	kW	RPM	Frame	Catalog Number	List Price	Mult. Symbol	Approx. Shipping Weight (lbs)	Service Factor	FL Amps @ High	FL. Eff (%)	"C" Dimension (in)	Voltage (V)	Notes
1	0.75	1800	143/5JM	00118ET3E143JM-S	\$613	P1S	45	1.15	1.50	85.5	16.102	230/460	9
		1800	143/5JM	00118ET3H143JM-S	\$613	P1S	45	1.15	1.20	85.5	16.102	575	9
		1800	143/5JM	00118ET3V143JM-S	\$613	P1S	45	1.15	1.70	85.5	16.102	200/400	9
		1800	143/5JM	00118ET3E143JM-W22	\$613	P1	55	1.25	1.47	85.5	15.675	230/460	
		1800	143/5JM	00118ET3H143JM-W22	\$613	P1	55	1.25	1.18	85.5	15.675	575	
		1200	143/5JM	00112ET3E145JM-S	\$700	P1S	45	1.15	1.60	82.5	16.102	230/460	9
		1200	143/5JM	00112ET3E145JM-W22	\$700	P1	62	1.25	1.73	82.5	15.675	230/460	
1.5	1.1	3600	143/5JM	00156ET3E143JM-S	\$710	P1S	41	1.15	1.90	84.0	15.709	230/460	9
		3600	143/5JM	00156ET3E143JM-W22	\$710	P1	57	1.25	1.96	84.0	15.675	230/460	
		1800	143/5JM	00158ET3E145JM-S	\$643	P1S	47	1.15	2.00	86.5	16.102	230/460	9
		1800	143/5JM	00158ET3H145JM-S	\$643	P1S	47	1.15	1.60	86.5	16.102	575	9
		1800	143/5JM	00158ET3V145JM-S	\$643	P1S	47	1.15	2.30	86.5	16.102	200/400	9
		1800	143/5JM	00158ET3E145JM-W22	\$643	P1	61	1.25	2.02	86.5	15.675	230/460	
		1800	143/5JM	00158ET3H145JM-W22	\$643	P1	61	1.25	1.62	86.5	15.675	575	
		1200	182/4JM	00152ET3E182JM-S	\$909	P1S	84	1.15	2.20	87.5	17.835	230/460	9
1200	182/4JM	00152ET3E182JM-W22	\$909	P1	99	1.25	2.54	87.5	17.411	230/460			
2	1.5	3600	143/5JM	00236ET3E145JM-S	\$683	P1S	47	1.15	2.50	85.5	16.496	230/460	9
		3600	143/5JM	00236ET3H145JM-S	\$683	P1S	47	1.15	2.00	85.5	16.496	575	9
		3600	143/5JM	00236ET3V145JM-S	\$683	P1S	47	1.15	2.80	85.5	16.496	200/400	9
		3600	143/5JM	00236ET3E145JM-W22	\$683	P1	61	1.25	2.56	85.5	15.675	230/460	
		3600	143/5JM	00236ET3H145JM-W22	\$683	P1	58	1.25	2.05	85.5	15.675	575	
		1800	143/5JM	00218ET3E145JM-S	\$707	P1S	50	1.15	2.70	86.5	16.496	230/460	9
		1800	143/5JM	00218ET3H145JM-S	\$707	P1S	50	1.15	2.20	86.5	16.496	575	9
		1800	143/5JM	00218ET3V145JM-S	\$707	P1S	50	1.15	3.10	86.5	16.496	200/400	9
		1800	143/5JM	00218ET3E145JM-W22	\$707	P1	62	1.25	2.76	86.5	15.675	230/460	
		1800	143/5JM	00218ET3H145JM-W22	\$707	P1	62	1.25	2.21	86.5	15.675	575	
		1200	182/4JM	00212ET3E184JM-S	\$1,021	P1S	97	1.15	3.00	88.5	18.622	230/460	9
		1200	182/4JM	00212ET3E184JM-W22	\$1,021	P1	105	1.25	3.23	88.5	17.411	230/460	39
3	2.2	3600	143/5JM	00336ET3E145JM-S	\$897	P1S	56	1.15	3.50	86.5	17.677	230/460	9;12
		3600	143/5JM	00336ET3H145JM-S	\$897	P1S	56	1.15	2.80	86.5	17.677	575	9;12
		3600	182/4JM	00336ET3E182JM-S	\$918	P1S	81	1.15	3.70	86.5	17.835	230/460	9
		3600	182/4JM	00336ET3H182JM-S	\$918	P1S	81	1.15	2.90	86.5	17.835	575	9
		3600	143/5JM	00336ET3E145JM-W22	\$764	P1	60	1.25	3.71	86.5	15.675	230/460	12
		3600	143/5JM	00336ET3H145JM-W22	\$764	P1	60	1.25	2.97	86.5	15.675	575	12
		3600	182/4JM	00336ET3E182JM-W22	\$918	P1	101	1.25	3.63	86.5	17.411	230/460	
		3600	182/4JM	00336ET3H182JM-W22	\$918	P1	101	1.25	2.90	86.5	17.411	575	
		1800	182/4JM	00318ET3E182JM-S	\$1,022	P1S	101	1.15	3.80	89.5	19.409	230/460	9
		1800	182/4JM	00318ET3H182JM-S	\$1,022	P1S	101	1.15	3.10	89.5	19.409	575	9
		1800	182/4JM	00318ET3V182JM-S	\$1,022	P1S	101	1.15	4.40	89.5	19.409	200/400	9
		1800	182/4JM	00318ET3E182JMV-S	\$1,080	P1S	101	1.15	3.80	89.5	20.749	230/460	9;15
		1800	182/4JM	00318ET3E182JM-W22	\$1,022	P1	97	1.25	3.91	89.5	17.411	230/460	
		1800	182/4JM	00318ET3H182JM-W22	\$1,022	P1	96	1.25	3.13	89.5	17.411	575	
		1200	213/5JM	00312ET3E213JM-S	\$1,423	P1S	147	1.15	4.20	89.5	20.433	230/460	9
		1200	213/5JM	00312ET3E213JM-W22	\$1,423	P1	160	1.25	4.41	89.5	20.392	230/460	

continued on next page

Please refer to back cover for description of "NOTES"

For detailed specifications, data sheets, drawings and performance curves visit <http://www.weg.net>



JM - TEFC - Three-Phase - continued

HP	kW	RPM	Frame	Catalog Number	List Price	Mult. Symbol	Approx. Shipping Weight (lbs)	Service Factor	FL Amps @ High	FL. Eff (%)	"C" Dimension (in)	Voltage (V)	Notes
5	3.7	3600	182/4JM	00536ET3E184JM-S	\$1,075	P1S	99	1.15	5.90	88.5	19.409	230/460	9
		3600	182/4JM	00536ET3H184JM-S	\$1,075	P1S	99	1.15	4.70	88.5	19.409	575	9
		3600	182/4JM	00536ET3P184JM-S	\$1,075	P1S	99	1.15	13.6	88.5	19.409	200	9
		3600	182/4JM	00536ET3V184JM-S	\$1,075	P1S	99	1.15	6.80	88.5	19.409	200/400	9
		3600	182/4JM	00536ET3E184JMV-S	\$1,247	P1S	99	1.15	5.90	88.5	20.749	230/460	9;15
		3600	182/4JM	00536ET3E184JM-W22	\$1,075	P1	108	1.25	5.90	88.5	17.411	230/460	
		3600	182/4JM	00536ET3H184JM-W22	\$1,075	P1	107	1.25	4.72	88.5	17.411	575	
		1800	182/4JM	00518ET3E184JM-S	\$1,141	P1S	94	1.15	6.50	89.5	19.409	230/460	9
		1800	182/4JM	00518ET3H184JM-S	\$1,141	P1S	94	1.15	5.20	89.5	19.409	575	9
		1800	182/4JM	00518ET3P184JM-S	\$1,141	P1S	94	1.15	14.9	89.5	19.409	200	9
		1800	182/4JM	00518ET3V184JM-S	\$1,141	P1S	94	1.15	7.50	89.5	19.409	200/400	9
		1800	182/4JM	00518ET3E184JMV-S	\$1,199	P1S	94	1.15	6.50	89.5	20.749	230/460	9;15
		1800	182/4JM	00518ET3E184JM-W22	\$1,141	P1	106	1.25	6.45	89.5	17.411	230/460	
		1800	182/4JM	00518ET3H184JM-W22	\$1,141	P1	106	1.25	5.16	89.5	17.411	575	
		1800	182/4JM	00518ET3P184JM-W22	\$1,141	P1	106	1.25	14.8	89.5	17.411	200	
		1200	213/5JM	00512ET3E215JM-S	\$1,769	P1S	163	1.15	6.70	89.5	21.220	230/460	9
		1200	213/5JM	00512ET3E215JM-W22	\$1,769	P1	180	1.25	6.83	89.5	20.392	230/460	
		7.5	5.5	3600	182/4JM	00736ET3E184JM-S	\$1,313	P1S	102	1.15	8.60	89.5	18.622
3600	213/5JM			00736ET3E213JM-S	\$1,419	P1S	152	1.15	8.70	89.5	21.220	230/460	9
3600	182/4JM			00736ET3H184JM-S	\$1,313	P1S	102	1.15	6.90	89.5	18.622	575	9
3600	213/5JM			00736ET3H213JM-S	\$1,419	P1S	152	1.15	6.90	89.5	21.220	575	9
3600	213/5JM			00736ET3V213JM-S	\$1,419	P1S	152	1.15	10.0	89.5	21.220	200/400	9
3600	182/4JM			00736ET3E184JM-W22	\$1,313	P1	108	1.25	8.76	89.5	17.411	230/460	12
3600	182/4JM			00736ET3H184JM-W22	\$1,313	P1	108	1.25	7.01	89.5	17.411	575	12
3600	213/5JM			00736ET3E213JM-W22	\$1,419	P1	168	1.25	8.76	89.5	20.392	230/460	
3600	213/5JM			00736ET3H213JM-W22	\$1,419	P1	163	1.25	7.01	89.5	20.392	575	
1800	213/5JM			00718ET3E213JM-S	\$1,519	P1S	139	1.15	9.10	91.7	20.039	230/460	9
1800	213/5JM			00718ET3H213JM-S	\$1,519	P1S	139	1.15	7.30	91.7	20.039	575	9
1800	213/5JM			00718ET3P213JM-S	\$1,519	P1S	139	1.15	20.8	91.7	20.039	200	9
1800	213/5JM			00718ET3V213JM-S	\$1,519	P1S	139	1.15	10.4	91.7	20.039	200/400	9
1800	213/5JM			00718ET3E213JM-W22	\$1,519	P1	180	1.25	9.18	91.7	20.392	230/460	
1800	213/5JM			00718ET3H213JM-W22	\$1,519	P1	179	1.25	7.34	91.7	20.392	575	
1200	254/6JM			00712ET3E254JM-S	\$2,455	P1S	247	1.15	10.0	91.0	24.055	230/460	9
1200	254/6JM			00712ET3E254JM-W22	\$2,455	P1	319	1.25	9.48	91.0	26.226	230/460	
10	7.5			3600	213/5JM	01036ET3E215JM-S	\$1,769	P1S	179	1.15	11.5	90.2	22.795
		3600	213/5JM	01036ET3H215JM-S	\$1,769	P1S	179	1.15	9.20	90.2	22.795	575	9
		3600	213/5JM	01036ET3V215JM-S	\$1,769	P1S	179	1.15	13.2	90.2	22.795	200/400	9
		3600	213/5JM	01036ET3E215JM-W22	\$1,769	P1	185	1.25	11.6	90.2	20.392	230/460	
		3600	213/5JM	01036ET3H215JM-W22	\$1,769	P1	185	1.25	9.28	90.2	20.392	575	
		1800	213/5JM	01018ET3E215JM-S	\$1,792	P1S	151	1.15	12.2	91.7	20.433	230/460	9
		1800	213/5JM	01018ET3H215JM-S	\$1,792	P1S	151	1.15	9.80	91.7	20.433	575	9
		1800	213/5JM	01018ET3V215JM-S	\$1,792	P1S	151	1.15	14.0	91.7	20.433	200/400	9
		1800	213/5JM	01018ET3E215JM-W22	\$1,792	P1	193	1.25	12.4	91.7	20.392	230/460	
		1800	213/5JM	01018ET3H215JM-W22	\$1,792	P1	193	1.25	9.92	91.7	20.392	575	
		1200	254/6JM	01012ET3E256JM-S	\$2,979	P1S	278	1.15	13.8	91.0	24.843	230/460	9
		1200	254/6JM	01012ET3E256JM-W22	\$2,979	P1	327	1.25	12.9	91.0	26.226	230/460	

Pump Motors

continued on next page

Please refer to back cover for description of "NOTES"

For detailed specifications, data sheets, drawings and performance curves visit <http://www.weg.net>

Data subject to change without notice.

Can't find what you are looking for? Call 1-800-ASK-4WEG (275-4934)

CLOSE-COUPLED PUMP TEFC MOTORS

JM - TEFC - Three-Phase - *continued*

HP	kW	RPM	Frame	Catalog Number	List Price	Mult. Symbol	Approx. Shipping Weight (lbs)	Service Factor	FL Amps @ High	FL. Eff (%)	"C" Dimension (in)	Voltage (V)	Notes
15	11	3600	213/5JM	01536ET3E215JM-S	\$2,058	P1S	178	1.15	17.0	91.0	22.795	230/460	9;12
		3600	213/5JM	01536ET3H215JM-S	\$2,058	P1S	178	1.15	13.6	91.0	22.795	575	9;12
		3600	213/5JM	01536ET3V215JM-S	\$2,058	P1S	178	1.15	19.5	91.0	22.795	200/400	9;12
		3600	213/5JM	01536ET3E215JM-W22	\$2,058	P1	187	1.25	17.0	91.0	20.392	230/460	12
		3600	213/5JM	01536ET3H215JM-W22	\$2,058	P1	185	1.25	13.8	91.0	20.392	575	12
		3600	254/6JM	01536ET3E254JM-S	\$2,214	P1S	216	1.15	17.4	91.0	24.055	230/460	9;12
		3600	254/6JM	01536ET3H254JM-S	\$2,214	P1S	216	1.15	13.9	91.0	24.055	575	9
		3600	254/6JM	01536ET3V254JM-S	\$2,214	P1S	216	1.15	20.0	91.0	24.055	200/400	9
		3600	254/6JM	01536ET3E254JM-W22	\$2,214	P1	301	1.25	17.2	91.0	26.226	230/460	
		3600	254/6JM	01536ET3H254JM-W22	\$2,214	P1	300	1.25	13.8	91.0	26.226	575	
		1800	254/6JM	01518ET3E254JM-S	\$2,609	P1S	249	1.15	18.2	92.4	24.055	230/460	9
		1800	254/6JM	01518ET3H254JM-S	\$2,609	P1S	249	1.15	14.6	92.4	24.055	575	9
		1800	254/6JM	01518ET3V254JM-S	\$2,609	P1S	249	1.15	20.9	92.4	24.055	200/400	9
		1800	254/6JM	01518ET3E254JM-W22	\$2,609	P1	350	1.25	18.0	92.4	26.226	230/460	
		1800	254/6JM	01518ET3H254JM-W22	\$2,609	P1	349	1.25	14.4	92.4	26.226	575	
1200	284/6JM	01512ET3E284JM-W22	\$3,912	P1	434	1.25	17.9	91.7	28.700	230/460			
20	15	3600	254/6JM	02036ET3E256JM-S	\$2,965	P1S	257	1.15	22.7	91.0	24.843	230/460	9
		3600	254/6JM	02036ET3H256JM-S	\$2,965	P1S	257	1.15	18.2	91.0	24.843	575	9
		3600	254/6JM	02036ET3V256JM-S	\$2,965	P1S	257	1.15	26.1	91.0	24.843	200/400	9
		3600	254/6JM	02036ET3E256JM-W22	\$2,965	P1	327	1.25	23.2	91.0	26.226	230/460	
		3600	254/6JM	02036ET3H256JM-W22	\$2,965	P1	325	1.25	18.6	91.0	26.226	575	
		1800	254/6JM	02018ET3E256JM-S	\$2,857	P1S	279	1.15	24.7	93.0	24.843	230/460	9
		1800	254/6JM	02018ET3H256JM-S	\$2,857	P1S	279	1.15	19.8	92.4	24.843	575	9
		1800	254/6JM	02018ET3V256JM-S	\$2,857	P1S	279	1.15	28.4	93.0	24.843	200/400	9
		1800	254/6JM	02018ET3E256JM-W22	\$2,857	P1	399	1.25	24.1	93.0	26.226	230/460	
		1800	254/6JM	02018ET3H256JM-W22	\$2,857	P1	398	1.25	19.3	93.0	26.226	575	
1200	284/6JM	02012ET3E286JM-W22	\$4,940	P1	461	1.25	24.2	91.7	28.700	230/460			
25	18.5	3600	254/6JM	02536ET3E256JM-S	\$3,231	P1S	267	1.15	28.5	91.7	24.843	230/460	9
		3600	254/6JM	02536ET3H256JM-S	\$3,231	P1S	267	1.15	22.8	91.7	24.843	575	9
		3600	254/6JM	02536ET3V256JM-S	\$3,231	P1S	267	1.15	32.8	91.7	24.843	200/400	9
		3600	254/6JM	02536ET3E256JM-W22	\$3,231	P1	375	1.00	28.1	91.7	26.226	230/460	
		3600	254/6JM	02536ET3H256JM-W22	\$3,231	P1	374	1.00	22.5	91.7	26.226	575	
		3600	284/6JM	02536ET3E284JM-W22	\$3,619	P1	421	1.25	28.5	91.7	28.700	230/460	
		3600	284/6JM	02536ET3H284JM-W22	\$3,619	P1	416	1.25	22.8	91.7	28.700	575	
		1800	284/6JM	02518ET3E284JM-W22	\$3,734	P1	452	1.25	29.5	93.6	28.700	230/460	
		1800	284/6JM	02518ET3H284JM-W22	\$3,734	P1	451	1.25	23.6	93.6	28.700	575	
		1200	324/6JM	02512ET3E324JM-W22	\$5,546	P1	598	1.25	30.4	93.0	29.645	230/460	
30	22	3600	284/6JM	03036ET3E286JM-W22	\$4,539	P1	439	1.25	33.8	91.7	28.700	230/460	
		3600	284/6JM	03036ET3H286JM-W22	\$4,539	P1	439	1.25	27.0	91.7	28.700	575	
		1800	284/6JM	03018ET3E286JM-W22	\$4,096	P1	490	1.25	35.1	93.6	28.700	230/460	
		1800	284/6JM	03018ET3H286JM-W22	\$4,096	P1	490	1.25	28.1	93.6	28.700	575	
		1200	324/6JM	03012ET3E326JM-W22	\$6,686	P1	636	1.25	36.2	93.0	29.645	230/460	

continued on next page

JM - TEFC - Three-Phase - *continued*

HP	kW	RPM	Frame	Catalog Number	List Price	Mult. Symbol	Approx. Shipping Weight (lbs)	Service Factor	FL Amps @ High	FL. Eff (%)	"C" Dimension (in)	Voltage (V)	Notes
40	30	3600	284/6JM	04036ET3E286JM-W22	\$5,368	P1	469	1.00	45.8	92.4	28.700	230/460	37
		3600	284/6JM	04036ET3H286JM-W22	\$5,368	P1	586	1.00	36.6	92.4	28.700	575	37
		3600	324/6JM	04036ET3E324JM-W22	\$5,534	P1	605	1.25	45.8	92.4	29.645	230/460	
		3600	324/6JM	04036ET3H324JM-W22	\$5,534	P1	604	1.25	36.6	92.4	29.645	575	
		1800	324/6JM	04018ET3E324JM-W22	\$5,316	P1	628	1.25	47.1	94.1	29.645	230/460	
		1800	324/6JM	04018ET3H324JM-W22	\$5,316	P1	621	1.25	37.7	94.1	29.645	575	
		1200	364/5JM	04012ET3E364JM-W22	\$8,807	P1	1023	1.25	46.5	94.1	33.031	230/460	
50	37	3600	324/6JM	05036ET3E326JM-W22	\$6,622	P1	623	1.25	56.1	93.0	29.645	230/460	
		1800	324/6JM	05018ET3E326JM-W22	\$6,513	P1	651	1.25	59.2	94.5	29.645	230/460	
		1800	324/6JM	05018ET3H326JM-W22	\$6,513	P1	648	1.25	47.4	94.5	29.645	575	
		1200	364/5JM	05012ET3E365JM-W22	\$10,551	P1	1040	1.25	57.4	94.1	33.031	230/460	
60	45	3600	324/6JM	06036ET3E326JM-W22	\$7,699	P1	630	1.00	70.2	93.6	29.645	230/460	37
		3600	364/5JM	06036ET3E364JM-W22	\$8,261	P1	985	1.25	67.0	93.6	33.832	230/460	
		3600	364/5JM	06036ET3H364JM-W22	\$8,261	P1	941	1.25	53.6	93.6	33.832	575	
		1800	364/5JM	06018ET3E364JM-W22	\$8,912	P1	1048	1.25	68.3	95.0	33.031	230/460	
		1800	364/5JM	06018ET3H364JM-W22	\$8,912	P1	1037	1.25	54.6	95.0	33.031	575	
75	55	3600	364/5JM	07536ET3E365JM-W22	\$11,124	P1	989	1.25	81.9	93.6	33.832	230/460	
		3600	364/5JM	07536ET3H365JM-W22	\$11,124	P1	992	1.25	65.5	93.6	33.832	575	
		1800	364/5JM	07518ET3E365JM-W22	\$10,057	P1	1065	1.25	84.1	95.4	33.031	230/460	
		1800	364/5JM	07518ET3H365JM-W22	\$10,057	P1	1039	1.25	67.3	95.4	33.031	575	
100	75	3600	404/5TCZ	10036ET3E405JM-W22	\$13,093	P1	1220	1.25	110	94.1	37.724	230/460	
		3600	404/5TCZ	10036ET3G405JM-W22	\$13,093	P1	1215	1.25	110	94.1	37.724	460	
		1800	404/5TCZ	10018ET3E405JM-W22	\$12,300	P1	1321	1.25	111	95.4	37.724	230/460	
		1800	404/5TCZ	10018ET3G405JM-W22	\$12,300	P1	1318	1.25	111	95.4	37.724	460	

Please refer to back cover for description of "NOTES"

For detailed specifications, data sheets, drawings and performance curves visit <http://www.weg.net>

Data subject to change without notice.

Can't find what you are looking for? Call 1-800-ASK-4WEG (275-4934)

Pump Motors

CLOSE-COUPLED PUMP TEFC MOTORS



JP - TEFC - Three-Phase

HP	kW	RPM	Frame	Catalog Number	List Price	Mult. Symbol	Approx. Shipping Weight (lbs)	Service Factor	FL Amps @ High	FL. Eff (%)	"C" Dimension (in)	Voltage (V)	Notes
1	0.75	1800	143/5JP	00118ET3E143JP-S	\$624	P1S	50	1.15	1.50	85.5	19.173	230/460	9
		1800	143/5JP	00118ET3E143JP-W22	\$624	P1	53	1.25	1.47	85.5	18.736	230/460	
		1200	143/5JP	00112ET3E145JP-S	\$714	P1S	47	1.15	1.60	82.5	19.173	230/460	9
		1200	143/5JP	00112ET3E145JP-W22	\$714	P1	55	1.25	1.73	82.5	18.736	230/460	
1.5	1.1	3600	143/5JP	00156ET3E143JP-S	\$649	P1S	46	1.15	1.90	84.0	18.780	230/460	9
		3600	143/5JP	00156ET3E143JP-W22	\$649	P1	51	1.25	1.96	84.0	18.736	230/460	
		1800	143/5JP	00158ET3E145JP-S	\$653	P1S	52	1.15	2.00	86.5	19.173	230/460	9
		1800	143/5JP	00158ET3E145JP-W22	\$653	P1	58	1.25	2.02	86.5	18.736	230/460	
		1200	182/4JP	00152ET3E182JP-S	\$924	P1S	86	1.15	2.20	87.5	20.906	230/460	9
		1200	182/4JP	00152ET3E182JP-W22	\$924	P1	74	1.25	2.54	87.5	20.475	230/460	
2	1.5	3600	143/5JP	00236ET3E145JP-S	\$694	P1S	52	1.15	2.50	85.5	19.567	230/460	9
		3600	143/5JP	00236ET3E145JP-W22	\$694	P1	59	1.25	2.56	85.5	18.736	230/460	
		1800	143/5JP	00218ET3E145JP-S	\$718	P1S	55	1.15	2.70	86.5	19.567	230/460	9
		1800	143/5JP	00218ET3E145JP-W22	\$718	P1	59	1.25	2.76	86.5	18.736	230/460	
		1200	182/4JP	00212ET3E184JP-S	\$1,040	P1S	100	1.15	3.00	88.5	21.693	230/460	9
		1200	182/4JP	00212ET3E184JP-W22	\$1,040	P1	91	1.25	3.23	88.5	20.475	230/460	
3	2.2	3600	143/5JP	00336ET3E145JP-S	\$915	P1S	61	1.15	3.50	86.5	20.748	230/460	9;12
		3600	143/5JP	00336ET3E145JP-W22	\$915	P1	61	1.25	3.71	86.5	18.736	230/460	12
		3600	182/4JP	00336ET3E182JP-S	\$933	P1S	88	1.15	3.70	86.5	20.906	230/460	9
		3600	182/4JP	00336ET3E182JP-W22	\$933	P1	111	1.25	3.63	86.5	20.475	230/460	
		3600	182/4JP	00336ET3H182JP-W22	\$933	P1	103	1.25	2.90	86.5	20.475	575	
		1800	182/4JP	00318ET3E182JP-S	\$1,041	P1S	108	1.15	3.80	89.5	22.480	230/460	9
		1800	182/4JP	00318ET3H182JP-S	\$1,041	P1S	108	1.15	3.10	89.5	22.480	575	9
		1800	182/4JP	00318ET3E182JP-W22	\$1,041	P1	107	1.25	3.91	89.5	20.475	230/460	
		1800	182/4JP	00318ET3H182JP-W22	\$1,041	P1	100	1.25	3.13	89.5	20.475	575	
		1200	213/5JP	00312ET3E213JP-S	\$1,449	P1S	152	1.15	4.20	89.5	24.291	230/460	9
		1200	213/5JP	00312ET3E213JP-W22	\$1,449	P1	126	1.25	4.41	89.5	24.264	230/460	
		5	3.7	3600	182/4JP	00536ET3E184JP-S	\$1,094	P1S	106	1.15	5.90	88.5	22.480
3600	182/4JP			00536ET3E184JP-W22	\$1,094	P1	118	1.25	5.90	88.5	20.475	230/460	
3600	182/4JP			00536ET3H184JP-W22	\$1,094	P1	113	1.25	4.72	88.5	20.475	575	
1800	182/4JP			00518ET3E184JP-S	\$1,161	P1S	105	1.15	6.50	89.5	22.480	230/460	9
1800	182/4JP			00518ET3H184JP-S	\$1,161	P1S	105	1.15	5.20	89.5	22.480	575	9
1800	182/4JP			00518ET3E184JP-W22	\$1,161	P1	117	1.25	6.45	89.5	20.475	230/460	
1800	182/4JP			00518ET3H184JP-W22	\$1,161	P1	116	1.25	5.16	89.5	20.475	575	
1200	213/5JP			00512ET3E215JP-S	\$1,801	P1S	171	1.15	6.70	89.5	25.079	230/460	9
1200	213/5JP			00512ET3E215JP-W22	\$1,801	P1	193	1.25	6.83	89.5	24.264	230/460	

continued on next page

JP - TEFC - Three-Phase - continued

HP	kW	RPM	Frame	Catalog Number	List Price	Mult. Symbol	Approx. Shipping Weight (lbs)	Service Factor	FL Amps @ High	FL. Eff (%)	"C" Dimension (in)	Voltage (V)	Notes
7.5	5.5	3600	182/4JP	00736ET3E184JP-S	\$1,339	P1S	109	1.15	8.60	89.5	21.693	230/460	9;12
		3600	182/4JP	00736ET3E184JP-W22	\$1,339	P1	118	1.25	8.76	89.5	20.475	230/460	12
		3600	213/5JP	00736ET3E213JP-S	\$1,445	P1S	161	1.15	8.70	89.5	25.079	230/460	9
		3600	213/5JP	00736ET3H213JP-S	\$1,445	P1S	161	1.15	6.90	89.5	25.079	575	9
		3600	213/5JP	00736ET3E213JP-W22	\$1,445	P1	177	1.25	8.76	89.5	24.264	230/460	
		3600	213/5JP	00736ET3H213JP-W22	\$1,445	P1	168	1.25	7.01	89.5	24.264	575	
		1800	213/5JP	00718ET3E213JP-S	\$1,543	P1S	148	1.15	9.10	91.7	23.898	230/460	9
		1800	213/5JP	00718ET3H213JP-S	\$1,543	P1S	148	1.15	7.30	91.7	23.898	575	9
		1800	213/5JP	00718ET3V213JP-S	\$1,543	P1S	148	1.15	10.4	91.7	23.898	200/400	9
		1800	213/5JP	00718ET3E213JP-W22	\$1,543	P1	189	1.25	9.18	91.7	24.264	230/460	
		1800	213/5JP	00718ET3H213JP-W22	\$1,543	P1	188	1.25	7.34	91.7	24.264	575	
		1200	254/6JP	00712ET3E254JP-S	\$2,495	P1S	256	1.15	10.0	91.0	26.929	230/460	9
1200	254/6JP	00712ET3E254JP-W22	\$2,495	P1	323	1.25	9.48	91.0	29.106	230/460			
10	7.5	3600	213/5JP	01036ET3E215JP-S	\$1,801	P1S	184	1.15	11.5	90.2	26.654	230/460	9
		3600	213/5JP	01036ET3H215JP-S	\$1,801	P1S	184	1.15	9.20	90.2	26.654	575	9
		3600	213/5JP	01036ET3E215JP-W22	\$1,801	P1	195	1.25	11.6	90.2	24.264	230/460	
		3600	213/5JP	01036ET3H215JP-W22	\$1,801	P1	191	1.25	9.28	90.2	24.264	575	
		1800	213/5JP	01018ET3E215JP-S	\$1,823	P1S	160	1.15	12.2	91.7	24.291	230/460	9
		1800	213/5JP	01018ET3H215JP-S	\$1,823	P1S	160	1.15	9.80	91.7	24.291	575	9
		1800	213/5JP	01018ET3V215JP-S	\$1,823	P1S	160	1.15	14.0	91.7	24.291	200/400	9
		1800	213/5JP	01018ET3E215JP-W22	\$1,823	P1	203	1.25	12.4	91.7	24.264	230/460	
		1800	213/5JP	01018ET3H215JP-W22	\$1,823	P1	202	1.25	9.92	91.7	24.264	575	
		1200	254/6JP	01012ET3E256JP-S	\$3,103	P1S	287	1.15	13.8	91.0	27.717	230/460	9
1200	254/6JP	01012ET3E256JP-W22	\$3,103	P1	326	1.25	12.9	91.0	29.106	230/460			
15	11	3600	213/5JP	01536ET3E215JP-S	\$2,099	P1S	179	1.15	17.0	91.0	26.654	230/460	9;12
		3600	213/5JP	01536ET3H215JP-S	\$2,099	P1S	179	1.15	13.6	91.0	26.654	575	9;12
		3600	213/5JP	01536ET3E215JP-W22	\$2,099	P1	194	1.25	17.0	91.0	24.264	230/460	12
		3600	254/6JP	01536ET3E254JP-S	\$2,629	P1S	217	1.15	17.4	91.0	26.929	230/460	9
		3600	254/6JP	01536ET3V254JP-S	\$2,629	P1S	217	1.15	20.0	91.0	26.929	200/400	9
		3600	254/6JP	01536ET3E254JP-W22	\$2,629	P1	305	1.25	17.2	91.0	29.106	230/460	
		3600	254/6JP	01536ET3H254JP-W22	\$2,629	P1	302	1.25	13.8	91.0	29.106	575	
		1800	254/6JP	01518ET3E254JP-S	\$2,653	P1S	251	1.15	18.2	92.4	26.929	230/460	9
		1800	254/6JP	01518ET3H254JP-S	\$2,653	P1S	251	1.15	14.6	92.4	26.929	575	9
		1800	254/6JP	01518ET3V254JP-S	\$2,653	P1S	251	1.15	20.9	92.4	26.929	200/400	9
		1800	254/6JP	01518ET3E254JP-W22	\$2,653	P1	353	1.25	18.0	92.4	29.106	230/460	
		1800	254/6JP	01518ET3H254JP-W22	\$2,653	P1	353	1.25	14.4	92.4	29.106	575	
		1200	284/6JP	01512ET3E284JP-W22	\$3,972	P1	436	1.25	17.9	91.7	31.575	230/460	

continued on next page

Please refer to back cover for description of "NOTES"

For detailed specifications, data sheets, drawings and performance curves visit <http://www.weg.net>

Data subject to change without notice.

CLOSE-COUPLED PUMP TEFC MOTORS

JP - TEFC - Three-Phase - *continued*

HP	kW	RPM	Frame	Catalog Number	List Price	Mult. Symbol	Approx. Shipping Weight (lbs)	Service Factor	FL Amps @ High	FL. Eff (%)	"C" Dimension (in)	Voltage (V)	Notes
20	15	3600	254/6JP	02036ET3E256JP-S	\$3,018	P1S	258	1.15	22.7	91.0	27.717	230/460	9
		3600	254/6JP	02036ET3H256JP-S	\$3,018	P1S	258	1.15	18.2	91.0	27.717	575	9
		3600	254/6JP	02036ET3E256JP-W22	\$3,018	P1	330	1.25	23.2	91.0	29.106	230/460	
		3600	254/6JP	02036ET3H256JP-W22	\$3,018	P1	327	1.25	18.6	91.0	29.106	575	
		1800	254/6JP	02018ET3E256JP-S	\$2,908	P1S	281	1.15	24.7	92.4	27.717	230/460	9
		1800	254/6JP	02018ET3H256JP-S	\$2,908	P1S	281	1.15	19.8	93.0	27.717	575	9
		1800	254/6JP	02018ET3V256JP-S	\$2,908	P1S	281	1.15	28.4	93.0	27.717	200/400	9
		1800	254/6JP	02018ET3E256JP-W22	\$2,908	P1	404	1.25	24.1	93.0	29.106	230/460	
		1800	254/6JP	02018ET3H256JP-W22	\$2,908	P1	401	1.25	19.3	93.0	29.106	575	
		1200	284/6JP	02012ET3E286JP-W22	\$5,015	P1	463	1.25	24.2	91.7	31.575	230/460	
25	18.5	3600	254/6JP	02536ET3E256JP-S	\$3,296	P1S	269	1.15	28.5	91.7	27.717	230/460	9
		3600	254/6JP	02536ET3H256JP-S	\$3,296	P1S	269	1.15	22.8	91.7	27.717	575	9
		3600	254/6JP	02536ET3E256JP-W22	\$3,296	P1	378	1.00	28.1	91.7	29.106	230/460	
		3600	254/6JP	02536ET3H256JP-W22	\$3,296	P1	399	1.00	22.5	91.7	29.106	575	
		3600	284/6JP	02536ET3E284JP-W22	\$3,679	P1	422	1.25	28.5	91.7	31.575	230/460	
		3600	284/6JP	02536ET3H284JP-W22	\$3,679	P1	421	1.25	22.8	91.7	31.575	575	
		1800	284/6JP	02518ET3E284JP-W22	\$3,797	P1	454	1.25	29.5	93.6	31.575	230/460	
		1800	284/6JP	02518ET3H284JP-W22	\$3,797	P1	453	1.25	23.6	93.6	31.575	575	
		1200	324/6JP	02512ET3E324JP-W22	\$5,972	P1	535	1.25	30.4	93.0	34.021	230/460	
30	22	3600	284/6JP	03036ET3E286JP-W22	\$4,614	P1	441	1.25	33.8	91.7	31.575	230/460	
		3600	284/6JP	03036ET3H286JP-W22	\$4,614	P1	463	1.25	27.0	91.7	31.575	575	
		1800	284/6JP	03018ET3E286JP-W22	\$4,167	P1	492	1.25	35.1	93.6	31.575	230/460	
		1800	284/6JP	03018ET3H286JP-W22	\$4,167	P1	490	1.25	28.1	93.6	31.575	575	
		1200	324/6JP	03012ET3E326JP-W22	\$6,690	P1	639	1.25	36.2	93.0	34.021	230/460	
40	30	3600	284/6JP	04036ET3E286JP-W22	\$5,475	P1	471	1.00	45.8	92.4	31.575	230/460	37
		3600	284/6JP	04036ET3H286JP-W22	\$5,475	P1	617	1.00	36.6	92.4	31.575	575	37
		3600	324/6JP	04036ET3E324JP-W22	\$5,628	P1	602	1.25	45.8	92.4	34.021	230/460	
		3600	324/6JP	04036ET3H324JP-W22	\$5,628	P1	579	1.25	36.6	92.4	34.021	575	
		1800	324/6JP	04018ET3E324JP-W22	\$5,413	P1	625	1.25	47.1	94.1	34.021	230/460	
		1800	324/6JP	04018ET3H324JP-W22	\$5,413	P1	608	1.25	37.7	94.1	34.021	575	
		1200	364/5JP	04012ET3E364JP-W22	\$9,268	P1	1003	1.25	46.5	94.1	35.916	230/460	
50	37	3600	324/6JP	05036ET3E326JP-W22	\$6,733	P1	624	1.25	56.1	93.0	34.021	230/460	
		3600	324/6JP	05036ET3H326JP-W22	\$6,733	P1	622	1.25	44.9	93.0	34.021	575	
		1800	324/6JP	05018ET3E326JP-W22	\$6,624	P1	648	1.25	59.2	94.5	34.021	230/460	
		1800	324/6JP	05018ET3H326JP-W22	\$6,624	P1	645	1.25	47.4	94.5	34.021	575	
		1200	364/5JP	05012ET3E365JP-W22	\$10,748	P1	983	1.25	57.4	94.1	35.916	230/460	
60	45	3600	324/6JP	06036ET3E326JP-W22	\$7,853	P1	627	1.00	70.2	93.6	34.021	230/460	37
		3600	364/5JP	06036ET3E364JP-W22	\$10,252	P1	994	1.25	67.0	93.6	36.711	230/460	
		3600	364/5JP	06036ET3H364JP-W22	\$10,252	P1	946	1.25	53.6	93.6	36.711	575	
		1800	364/5JP	06018ET3E364JP-W22	\$9,619	P1	1056	1.25	68.3	95.0	35.916	230/460	
		1800	364/5JP	06018ET3H364JP-W22	\$9,619	P1	1042	1.25	54.6	95.0	35.916	575	
		1200	404/5JP	06012ET3E404JP-W22	\$12,444	P1	1156	1.25	69.5	94.5	38.911	230/460	

continued on next page

JP - TEFC - Three-Phase - continued

HP	kW	RPM	Frame	Catalog Number	List Price	Mult. Symbol	Approx. Shipping Weight (lbs)	Service Factor	FL Amps @ High	FL. Eff (%)	"C" Dimension (in)	Voltage (V)	Notes
75	55	3600	364/5JP	07536ET3E365JP-W22	\$11,321	P1	997	1.25	81.9	93.6	36.711	230/460	
		3600	364/5JP	07536ET3G365JP-W22	\$11,321	P1	1153	1.25	81.9	93.6	36.711	460	
		3600	364/5JP	07536ET3H365JP-W22	\$11,321	P1	997	1.25	65.5	93.6	36.711	575	
		1800	364/5JP	07518ET3E365JP-W22	\$10,235	P1	1075	1.25	84.1	95.4	35.916	230/460	
		1800	364/5JP	07518ET3H365JP-W22	\$10,235	P1	1044	1.25	67.3	95.4	35.916	575	
		1200	404/5JP	07512ET3E405JP-W22	\$14,005	P1	1209	1.25	84.9	94.5	38.911	230/460	
100	75	3600	404/5JP	10036ET3E405JP-W22	\$13,949	P1	1203	1.25	110	94.1	40.551	230/460	
		3600	404/5JP	10036ET3G405JP-W22	\$13,949	P1	1222	1.25	110	94.1	40.551	460	
		1800	404/5JP	10018ET3E405JP-W22	\$12,411	P1	1291	1.25	111	95.4	38.911	230/460	
		1800	404/5JP	10018ET3G405JP-W22	\$12,411	P1	1294	1.25	111	95.4	38.911	460	

JP - TEFC - Explosion Proof

HP	kW	RPM	Frame	Catalog Number	List Price	Mult. Symbol	Approx. Shipping Weight (lbs)	Service Factor	FL Amps @ High	FL. Eff (%)	"C" Dimension (in)	Voltage (V)	Notes
3	2.2	1800	182/4JP	00318XT3E182JP	\$1,586	XT	119	1.15	3.91	89.5	20.431	230/460	
		1800	182/4JP	00318XT3H182JP	\$1,586	XT	119	1.15	3.13	89.5	20.431	575	
5	3.7	1800	182/4JP	00518XT3E184JP	\$1,609	XT	136	1.15	6.57	89.5	20.306	230/460	
		1800	182/4JP	00518XT3H184JP	\$1,609	XT	136	1.15	5.26	89.5	20.306	575	

Please refer to back cover for description of "NOTES"

For detailed specifications, data sheets, drawings and performance curves visit <http://www.weg.net>

Data subject to change without notice.

Can't find what you are looking for? Call **1-800-ASK-4WEG** (275-4934)

Pump Motors



CLOSE-COUPLED PUMP ODP MOTORS



JM - ODP - Single Phase

HP	kW	RPM	Frame	Catalog Number	List Price	Mult. Symbol	Approx. Shipping Weight (lbs)	Service Factor	FL Amps @ High	FL. Eff (%)	"C" Dimension (in)	Voltage (V)	Notes
3	2.2	3600	182/4JM	003360S1B182JM	\$977	P1CS	111	1.25	11.7	86.0	18.976	115/208-230	9
5	3.7	3600	182/4JM	005360S1B184JM	\$1,383	P1CS	123	1.25	19.0	88.0	18.976	115/208-230	9
7.5	5.5	3600	213/5JM	007360S1C213JM	\$1,567	P1CS	132	1.15	30.2	85.5	18.667	208-230	9
10	7.5	3600	213/5JM	010360S1C215JM	\$2,067	P1CS	132	1.15	42.0	84.0	20.499	208-230	9



JP - ODP - Single Phase

HP	kW	RPM	Frame	Catalog Number	List Price	Mult. Symbol	Approx. Shipping Weight (lbs)	Service Factor	FL Amps @ High	FL. Eff (%)	"C" Dimension (in)	Voltage (V)	Notes
3	2.2	3600	182/4JP	003360S1B182JP	\$977	P1CS	117	1.25	11.7	86.0	21.942	115/208-230	9
5	3.7	3600	182/4JP	005360S1B184JP	\$1,383	P1CS	127	1.25	19.0	88.0	21.942	115/208-230	9
7.5	5.5	3600	213/5JP	007360S1C213JP	\$1,567	P1CS	142	1.15	30.2	85.5	22.558	208-230	9
10	7.5	3600	213/5JP	010360S1C215JP	\$2,067	P1CS	138	1.15	42.0	84.0	24.390	208-230	9



JM - ODP - Three Phase

HP	kW	RPM	Frame	Catalog Number	List Price	Mult. Symbol	Approx. Shipping Weight (lbs)	Service Factor	FL Amps @ High	FL Eff (%)	"C" Dimension (in)	Voltage (V)	Notes
1	0.75	1800	143/5JM	001180T3E143JM-S	\$486	P1S	40	1.15	1.50	85.5	13.701	230/460	9
		1800	143/5JM	001180T3H143JM-S	\$486	P1S	40	1.15	1.20	85.5	13.701	575	9
		1800	143/5JM	001180T3V143JM-S	\$486	P1S	40	1.15	1.70	85.5	13.701	200/400	9
		1200	143/5JM	001120T3E145JM-S	\$550	P1S	40	1.15	1.70	82.5	13.701	230/460	9
1.5	1.1	3600	143/5JM	001560T3E143JM-S	\$534	P1S	35	1.15	1.90	84.0	13.701	230/460	9
		3600	143/5JM	001560T3V143JM-S	\$534	P1S	35	1.15	2.10	84.0	13.701	200/400	9
		1800	143/5JM	001580T3E145JM-S	\$553	P1S	47	1.15	2.10	86.5	14.882	230/460	9
		1800	143/5JM	001580T3H145JM-S	\$553	P1S	47	1.15	1.70	86.5	14.882	575	9
		1800	143/5JM	001580T3V145JM-S	\$553	P1S	47	1.15	2.40	86.5	14.882	200/400	9
		1200	182/4JM	001520T3E182JM-S	\$769	P1S	71	1.15	2.30	86.5	15.472	230/460	9
2	1.5	3600	143/5JM	002360T3E145JM-S	\$580	P1S	42	1.15	2.40	85.5	14.094	230/460	9
		3600	143/5JM	002360T3H145JM-S	\$580	P1S	42	1.15	1.90	85.5	14.094	575	9
		3600	143/5JM	002360T3V145JM-S	\$580	P1S	42	1.15	2.80	85.5	14.094	200/400	9
		1800	143/5JM	002180T3E145JM-S	\$607	P1S	44	1.15	2.70	86.5	14.882	230/460	9
		1800	143/5JM	002180T3H145JM-S	\$607	P1S	44	1.15	2.20	86.5	14.882	575	9
		1800	143/5JM	002180T3V145JM-S	\$607	P1S	44	1.15	3.10	86.5	14.882	200/400	9
		1200	182/4JM	002120T3E184JM-S	\$816	P1S	83	1.15	3.00	87.5	16.260	230/460	9
3	2.2	3600	143/5JM	003360T3E145JM-S	\$660	P1S	45	1.15	3.60	85.5	14.488	230/460	9
		3600	143/5JM	003360T3H145JM-S	\$660	P1S	45	1.15	2.90	85.5	14.488	575	9
		3600	143/5JM	003360T3V145JM-S	\$660	P1S	45	1.15	4.10	85.5	14.488	200/400	9
		1800	182/4JM	003180T3E182JM-S	\$665	P1S	84	1.15	3.90	89.5	16.654	230/460	9
		1800	182/4JM	003180T3H182JM-S	\$665	P1S	84	1.15	3.10	89.5	16.654	575	9
		1800	182/4JM	003180T3V182JM-S	\$665	P1S	84	1.15	4.40	89.5	16.654	200/400	9
		1200	213/5JM	003120T3E213JM-S	\$1,105	P1S	123	1.15	4.20	88.5	17.717	230/460	9
5	3.7	3600	182/4JM	005360T3E182JM-S	\$780	P1S	70	1.15	6.10	86.5	16.260	230/460	9
		3600	182/4JM	005360T3H182JM-S	\$780	P1S	70	1.15	4.90	86.5	16.260	575	9
		3600	182/4JM	005360T3V182JM-S	\$780	P1S	70	1.15	7.00	86.5	16.260	200/400	9
		1800	182/4JM	005180T3E184JM-S	\$849	P1S	96	1.15	6.30	89.5	17.835	230/460	9
		1800	182/4JM	005180T3H184JM-S	\$849	P1S	96	1.15	5.10	89.5	17.835	575	9
		1800	182/4JM	005180T3V184JM-S	\$849	P1S	96	1.15	7.30	89.5	17.835	200/400	9
		1200	213/5JM	005120T3E215JM-S	\$1,319	P1S	144	1.15	6.70	89.5	18.110	230/460	9
7.5	5.5	3600	182/4JM	007360T3E184JM-S	\$1,086	P1S	87	1.15	8.70	88.5	16.654	230/460	9
		3600	182/4JM	007360T3H184JM-S	\$1,086	P1S	87	1.15	6.90	88.5	16.654	575	9
		3600	182/4JM	007360T3V184JM-S	\$1,086	P1S	87	1.15	10.0	88.5	16.654	200/400	9
		1800	213/5JM	007180T3E213JM-S	\$1,119	P1S	135	1.15	9.30	91.0	17.717	230/460	9
		1800	213/5JM	007180T3H213JM-S	\$1,120	P1S	135	1.15	7.40	91.0	17.717	575	9
		1800	213/5JM	007180T3V213JM-S	\$1,119	P1S	135	1.15	10.6	91.0	17.717	200/400	9
		1200	254JM	007120T3E254JM	\$1,985	P1C	249	1.15	9.69	90.2	22.169	230/460	
		1200	254/6JM	007120T3E254JM-S	\$1,985	P1S	224	1.15	10.2	90.2	21.969	230/460	9

continued on next page

Please refer to back cover for description of "NOTES"

For detailed specifications, data sheets, drawings and performance curves visit <http://www.weg.net>

Data subject to change without notice.

CLOSE-COUPLED PUMP ODP MOTORS

JM - ODP - Three Phase - *continued*

HP	kW	RPM	Frame	Catalog Number	List Price	Mult. Symbol	Approx. Shipping Weight (lbs)	Service Factor	FL Amps @ High	FL. Eff (%)	"C" Dimension (in)	Voltage (V)	Notes
10	7.5	3600	213/5JM	010360T3E213JM-S	\$1,289	P1S	132	1.15	12.0	89.5	18.110	230/460	9
		3600	213/5JM	010360T3H213JM-S	\$1,289	P1S	132	1.15	9.60	89.5	18.110	575	9
		3600	213/5JM	010360T3V213JM-S	\$1,289	P1S	132	1.15	13.8	89.5	18.110	200/400	9
		1800	213/5JM	010180T3E215JM-S	\$1,364	P1S	140	1.15	12.4	91.7	17.717	230/460	9
		1800	213/5JM	010180T3H215JM-S	\$1,366	P1S	140	1.15	9.90	91.7	17.717	575	9
		1200	254/6JM	010120T3E256JM-S	\$2,298	P1S	252	1.15	13.9	91.7	21.969	230/460	9
		1200	256JM	010120T3E256JM	\$2,298	P1C	271	1.15	12.8	91.7	23.902	230/460	
15	11	3600	213/5JM	015360T3E215JM-S	\$1,707	P1S	151	1.15	17.2	90.2	18.898	230/460	9
		3600	213/5JM	015360T3H215JM-S	\$1,707	P1S	151	1.15	13.8	90.2	18.898	575	9
		3600	213/5JM	015360T3V215JM-S	\$1,707	P1S	151	1.15	19.8	90.2	18.898	200/400	9
		1800	254JM	015180T3E254JM	\$1,995	P1C	265	1.15	18.6	93.0	22.169	230/460	
		1800	254JM	015180T3H254JM	\$1,995	P1C	265	1.15	14.9	93.0	22.169	575	
		1800	254JM	015180T3V254JM	\$1,995	P1C	273	1.15	21.4	93.0	22.169	200/400	
		1800	254/6JM	015180T3E254JM-S	\$1,995	P1S	225	1.15	18.6	93.0	21.969	230/460	9
		1800	254/6JM	015180T3H254JM-S	\$1,995	P1S	225	1.15	14.9	93.0	21.969	575	9
		1800	254/6JM	015180T3V254JM-S	\$1,995	P1S	225	1.15	21.4	93.0	21.969	200/400	9
20	15	1200	284JM	015120T3E284JM	\$3,164	P1C	387	1.15	17.7	91.7	24.261	230/460	
		3600	254JM	020360T3E254JM	\$2,107	P1C	223	1.15	24.6	91.0	22.169	230/460	
		3600	254JM	020360T3H254JM	\$2,107	P1C	221	1.15	19.7	91.0	22.169	575	
		3600	254JM	020360T3V254JM	\$2,107	P1C	222	1.15	28.3	91.0	22.169	200/400	
		3600	254/6JM	020360T3E254JM-S	\$2,107	P1S	206	1.15	23.8	91.0	21.969	230/460	9
		3600	254/6JM	020360T3H254JM-S	\$2,107	P1S	206	1.15	19.0	91.0	21.969	575	9
		3600	254/6JM	020360T3V254JM-S	\$2,107	P1S	206	1.15	27.4	91.0	21.969	200/400	9
		1800	254/6JM	020180T3E256JM-S	\$2,413	P1S	250	1.15	25.0	93.0	21.969	230/460	9
		1800	254/6JM	020180T3H256JM-S	\$2,413	P1S	250	1.15	20.0	93.0	21.969	575	9
		1800	256JM	020180T3E256JM	\$2,413	P1C	303	1.15	24.7	93.0	23.902	230/460	
25	18.5	1800	256JM	020180T3H256JM	\$2,413	P1C	302	1.15	19.8	93.0	23.902	575	
		1200	286JM	020120T3E286JM	\$3,872	P1C	436	1.15	24.0	92.4	25.754	230/460	
		3600	254/6JM	025360T3E256JM-S	\$2,598	P1S	217	1.15	29.1	91.7	21.969	230/460	9
		3600	254/6JM	025360T3H256JM-S	\$2,598	P1S	217	1.15	23.3	91.7	21.969	575	9
		3600	256JM	025360T3E256JM	\$2,598	P1C	264	1.15	29.8	91.7	23.902	230/460	
		3600	256JM	025360T3H256JM	\$2,598	P1C	263	1.15	23.8	91.7	23.902	575	
		1800	284JM	025180T3E284JM	\$2,912	P1C	400	1.15	29.9	93.6	24.261	230/460	
30	22	1800	284JM	025180T3H284JM	\$2,912	P1C	400	1.15	23.9	93.6	24.261	575	
		1200	324JM	025120T3E324JM	\$4,306	P1C	515	1.15	30.4	93.0	26.431	230/460	
		3600	284JM	030360T3E284JM	\$3,185	P1C	374	1.15	34.7	92.4	24.261	230/460	
		3600	284JM	030360T3H284JM	\$3,185	P1C	373	1.15	27.8	92.4	24.261	575	
		3600	284JM	030360T3V284JM	\$3,185	P1C	373	1.15	39.9	92.4	24.261	200/400	
1800	286JM	030180T3E286JM	\$3,368	P1C	454	1.15	35.4	94.1	25.754	230/460			
1800	286JM	030180T3H286JM	\$3,368	P1C	452	1.15	28.3	94.1	25.754	575			
1200	326JM	030120T3E326JM	\$4,741	P1C	578	1.15	36.0	93.6	27.927	230/460			

continued on next page

JM - ODP - Three Phase - continued

HP	kW	RPM	Frame	Catalog Number	List Price	Mult. Symbol	Approx. Shipping Weight (lbs)	Service Factor	FL Amps @ High	FL. Eff (%)	"C" Dimension (in)	Voltage (V)	Notes
40	30	3600	286JM	040360T3E286JM	\$3,811	P1C	412	1.15	47.1	93.0	25.754	230/460	
		3600	286JM	040360T3H286JM	\$3,811	P1C	411	1.15	37.7	93.0	25.754	575	
		1800	324JM	040180T3E324JM	\$3,797	P1C	524	1.15	48.2	94.1	26.431	230/460	
		1800	324JM	040180T3H324JM	\$3,797	P1C	521	1.15	38.6	94.1	26.431	575	
		1200	364/5JM	040120T3E364JM	\$6,696	P1C	928	1.15	47.1	94.1	29.139	230/460	
50	37	3600	324JM	050360T3E324JM	\$4,607	P1C	530	1.15	59.1	93.6	26.431	230/460	
		3600	324JM	050360T3G324JM	\$4,607	P1C	523	1.15	59.1	93.6	26.431	460	
		3600	324JM	050360T3H324JM	\$4,607	P1C	524	1.15	47.3	93.6	26.431	575	
		1800	326JM	050180T3E326JM	\$4,877	P1C	594	1.15	59.9	94.5	27.927	230/460	
		1800	326JM	050180T3H326JM	\$4,877	P1C	597	1.15	47.9	94.5	27.927	575	
		1200	364/5JM	050120T3E365JM	\$7,666	P1C	976	1.15	60.2	94.1	29.139	230/460	
60	45	3600	326JM	060360T3E326JM	\$5,432	P1C	569	1.15	71.0	93.6	27.927	230/460	
		3600	326JM	060360T3G326JM	\$5,432	P1C	653	1.15	71.0	93.6	27.927	460	
		3600	326JM	060360T3H326JM	\$5,432	P1C	565	1.15	56.8	93.6	27.927	575	
		1800	364/5JM	060180T3E364JM	\$5,994	P1C	907	1.15	69.9	95.0	29.139	230/460	
		1800	364/5JM	060180T3G364JM	\$5,994	P1C	906	1.15	69.9	95.0	29.139	460	
		1800	364/5JM	060180T3H364JM	\$5,994	P1C	964	1.15	55.9	95.0	29.139	575	
75	55	3600	364/5JM	075360T3E364JM	\$6,951	P1C	866	1.15	83.4	94.1	29.139	230/460	
		3600	364/5JM	075360T3G364JM	\$6,951	P1C	847	1.15	83.4	94.1	29.139	460	
		3600	364/5JM	075360T3H364JM	\$6,951	P1C	860	1.15	66.7	94.1	29.139	575	
		1800	364/5JM	075180T3E365JM	\$6,932	P1C	965	1.15	85.5	95.0	29.139	230/460	
		1800	364/5JM	075180T3G365JM	\$6,932	P1C	962	1.15	85.5	95.0	29.139	460	
		1800	364/5JM	075180T3H365JM	\$6,932	P1C	965	1.15	68.4	95.0	29.139	575	
100	75	3600	364/5JM	100360T3E365JM	\$8,683	P1C	925	1.15	112	94.5	29.139	230/460	
		3600	364/5JM	100360T3G365JM	\$8,683	P1C	906	1.15	112	94.5	29.139	460	

Please refer to back cover for description of "NOTES"

For detailed specifications, data sheets, drawings and performance curves visit <http://www.weg.net>

Data subject to change without notice.

Can't find what you are looking for? Call 1-800-ASK-4WEG (275-4934)

Pump Motors



CLOSE-COUPLED PUMP ODP MOTORS JM - ODP - Three Phase - Footless Vertical



HP	kW	RPM	Frame	Catalog Number	List Price	Mult. Symbol	Approx. Shipping Weight (lbs)	Service Factor	FL Amps @ High	FL Eff (%)	"C" Dimension (in)	Voltage (V)	Notes
1	0.75	1800	143/5JM	001180T3E143JMV-S	\$541	P1S	40	1.15	1.50	85.5	15.001	230/460	9;15
		1200	143/5JM	001120T3E145JMV-S	\$605	P1S	40	1.15	1.70	82.5	15.001	230/460	9;15
1.5	1.1	3600	143/5JM	001560T3E143JMV-S	\$589	P1S	35	1.15	1.90	84.0	15.001	230/460	9;15
		1800	143/5JM	001580T3E145JMV-S	\$608	P1S	47	1.15	2.10	86.5	16.182	230/460	9;15
		1200	182/4JM	001520T3E182JMV-S	\$827	P1S	71	1.15	2.30	86.5	16.812	230/460	9;15
2	1.5	3600	143/5JM	002360T3E145JMV-S	\$635	P1S	42	1.15	2.40	85.5	15.394	230/460	9;15
		1800	143/5JM	002180T3E145JMV-S	\$662	P1S	44	1.15	2.70	86.5	16.182	230/460	9;15
		1200	182/4JM	002120T3E184JMV-S	\$874	P1S	83	1.15	3.00	87.5	17.600	230/460	9;15
3	2.2	3600	143/5JM	003360T3E145JMV-S	\$715	P1S	45	1.15	3.60	85.5	15.788	230/460	9;15
		1800	182/4JM	003180T3E182JMV-S	\$723	P1S	84	1.15	3.90	89.5	17.994	230/460	9;15
		1200	213/5JM	003120T3E213JMV-S	\$1,187	P1S	123	1.15	4.20	88.5	18.977	230/460	9;15
5	3.7	3600	182/4JM	005360T3E182JMV-S	\$838	P1S	75	1.15	6.10	86.5	17.600	230/460	9;15
		1800	182/4JM	005180T3E184JMV-S	\$907	P1S	96	1.15	6.30	89.5	19.175	230/460	9;15
		1200	213/5JM	005120T3E215JMV-S	\$1,401	P1S	144	1.15	6.70	89.5	19.370	230/460	9;15
7.5	5.5	3600	182/4JM	007360T3E184JMV-S	\$1,144	P1S	87	1.15	8.70	88.5	17.994	230/460	9;15
		3600	182/4JM	007360T3H184JMV-S	\$1,144	P1S	87	1.15	6.90	88.5	17.994	575	9;15
		3600	182/4JM	007360T3V184JMV-S	\$1,144	P1S	87	1.15	10.0	88.5	17.994	200/400	9;15
		1800	213/5JM	007180T3E213JMV-S	\$1,201	P1S	135	1.15	9.30	91.0	18.977	230/460	9;15
10	7.5	3600	213/5JM	010360T3E213JMV-S	\$1,371	P1S	132	1.15	12.0	89.5	19.370	230/460	9;15
		3600	213/5JM	010360T3H213JMV-S	\$1,371	P1S	132	1.15	9.60	89.5	19.370	575	9;15
		3600	213/5JM	010360T3V213JMV-S	\$1,371	P1S	132	1.15	13.8	89.5	19.370	200/400	9;15
		1800	213/5JM	010180T3E215JMV-S	\$1,446	P1S	140	1.15	12.4	91.7	18.977	230/460	9;15
		1800	213/5JM	010180T3H215JMV-S	\$1,448	P1S	140	1.15	9.90	91.7	18.977	575	9;15
15	11	3600	213/5JM	015360T3E215JMV-S	\$1,789	P1S	151	1.15	17.2	90.2	20.158	230/460	9;15
		3600	213/5JM	015360T3H215JMV-S	\$1,789	P1S	151	1.15	13.8	90.2	20.158	575	9;15
		3600	213/5JM	015360T3V215JMV-S	\$1,789	P1S	151	1.15	19.8	90.2	20.158	200/400	9;15
		1800	254/6JM	015180T3E254JMV-S	\$2,147	P1S	175	1.15	18.6	93.0	23.898	230/460	9;15
20	15	3600	254JM	020360T3E254JMV	\$2,268	P1C	228	1.15	24.6	91.0	24.098	230/460	15
		3600	254JM	020360T3H254JMV	\$2,268	P1C	277	1.15	19.7	91.0	24.098	575	15
		3600	254JM	020360T3V254JMV	\$2,268	P1C	277	1.15	28.3	91.0	24.098	200/400	15
		3600	254/6JM	020360T3E254JMV-S	\$2,205	P1S	206	1.15	23.8	91.0	23.359	230/460	9;15
		3600	254/6JM	020360T3H254JMV-S	\$2,205	P1S	206	1.15	19.0	91.0	23.359	575	9;15
		3600	254/6JM	020360T3V254JMV-S	\$2,205	P1S	206	1.15	27.4	91.0	23.359	200/400	9;15
		1800	254/6JM	020180T3E256JMV-S	\$2,580	P1S	198	1.15	25.0	93.0	23.898	230/460	9;15
		1800	256JM	020180T3E256JMV	\$2,590	P1C	254	1.15	24.7	93.0	25.831	230/460	15
25	18.5	3600	254/6JM	025360T3E256JMV-S	\$2,696	P1S	217	1.15	29.1	91.7	23.359	230/460	9;15
		3600	254/6JM	025360T3H256JMV-S	\$2,696	P1S	217	1.15	23.3	91.7	23.359	575	9;15
		3600	254/6JM	025360T3V256JMV-S	\$2,696	P1S	217	1.15	33.5	91.7	23.359	200/400	9;15
		3600	256JM	025360T3H256JMV	\$2,774	P1C	308	1.15	23.8	91.7	25.831	575	15
		3600	256JM	025360T3V256JMV	\$2,774	P1C	271	1.15	34.3	91.7	25.831	200/400	15
		1800	284JM	025180T3E284JMV	\$3,137	P1C	342	1.15	29.9	93.6	26.584	230/460	15
30	22	3600	284JM	030360T3H284JMV	\$3,422	P1C	379	1.15	27.8	92.4	26.584	575	15
		1800	286JM	030180T3H286JMV	\$3,610	P1C	467	1.15	28.3	94.1	28.077	575	15
40	30	3600	286JM	040360T3E286JMV	\$4,066	P1C	423	1.15	47.1	93.0	28.077	230/460	15
		3600	286JM	040360T3H286JMV	\$4,066	P1C	422	1.15	37.7	93.0	28.077	575	15
		1800	324JM	040180T3E324JMV	\$4,431	P1C	485	1.15	48.2	94.1	29.147	230/460	15
50	37	3600	324JM	050360T3E324JMV	\$4,911	P1C	531	1.15	59.1	93.6	29.147	230/460	15
		3600	324JM	050360T3H324JMV	\$4,911	P1C	530	1.15	47.3	93.6	29.147	575	15
		3600	324JM	050360T3V324JMV	\$4,911	P1C	614	1.15	68.0	93.6	29.147	200/400	15
		1800	326JM	050180T3H326JMV	\$5,189	P1C	644	1.15	47.9	94.5	30.643	575	15
60	45	3600	326JM	060360T3H326JMV	\$5,761	P1C	577	1.15	56.8	93.6	30.643	575	15
75	55	3600	364/5JM	075360T3H364JMV	\$7,351	P1C	667	1.15	66.7	94.1	32.328	575	15

Please refer to back cover for description of "NOTES"

For detailed specifications, data sheets, drawings and performance curves visit <http://www.weg.net>



JP - ODP - Three Phase

HP	kW	RPM	Frame	Catalog Number	List Price	Mult. Symbol	Approx. Shipping Weight (lbs)	Service Factor	FL Amps @ High	FL. Eff (%)	"C" Dimension (in)	Voltage (V)	Notes
1	0.75	1800	143/5JP	001180T3E143JP-S	\$486	P1S	40	1.15	1.50	85.5	16.772	230/460	9
		1200	143/5JP	001120T3E145JP-S	\$550	P1S	48	1.15	1.70	82.5	16.772	230/460	9
1.5	1.1	3600	143/5JP	001560T3E143JP-S	\$534	P1S	35	1.15	1.90	84.0	16.772	230/460	9
		3600	143/5JP	001560T3V143JP-S	\$534	P1S	35	1.15	2.10	84.0	16.772	200/400	9
		1800	143/5JP	001580T3E145JP-S	\$553	P1S	47	1.15	2.10	86.5	17.953	230/460	9
		1200	182/4JP	001520T3E182JP-S	\$729	P1S	77	1.15	2.30	86.5	18.543	230/460	9
2	1.5	3600	143/5JP	002360T3E145JP-S	\$580	P1S	42	1.15	2.40	85.5	17.165	230/460	9
		3600	143/5JP	002360T3V145JP-S	\$580	P1S	42	1.15	2.80	85.5	17.165	200/400	9
		1800	143/5JP	002180T3E145JP-S	\$607	P1S	45	1.15	2.70	86.5	17.953	230/460	9
		1200	182/4JP	002120T3E184JP-S	\$863	P1S	86	1.15	3.00	87.5	19.331	230/460	9
3	2.2	3600	143/5JP	003360T3E145JP-S	\$660	P1S	45	1.15	3.60	85.5	17.559	230/460	9
		3600	143/5JP	003360T3H145JP-S	\$660	P1S	45	1.15	2.90	85.5	17.559	575	9
		3600	143/5JP	003360T3V145JP-S	\$660	P1S	45	1.15	4.10	85.5	17.559	200/400	9
		1800	182/4JP	003180T3E182JP-S	\$665	P1S	85	1.15	3.90	89.5	19.724	230/460	9
		1800	182/4JP	003180T3H182JP-S	\$665	P1S	85	1.15	3.10	89.5	19.724	575	9
		1200	213/5JP	003120T3E213JP-S	\$1,095	P1S	132	1.15	4.20	88.5	21.575	230/460	9
5	3.7	3600	182/4JP	005360T3E182JP-S	\$792	P1S	74	1.15	6.10	86.5	19.331	230/460	9
		3600	182/4JP	005360T3H182JP-S	\$792	P1S	74	1.15	4.90	86.5	19.331	575	9
		3600	182/4JP	005360T3V182JP-S	\$792	P1S	74	1.15	7.00	86.5	19.331	200/400	9
		1800	182/4JP	005180T3E184JP-S	\$848	P1S	99	1.15	6.30	89.5	20.906	230/460	9
		1800	182/4JP	005180T3H184JP-S	\$848	P1S	99	1.15	5.10	89.5	20.906	575	9
		1200	213/5JP	005120T3E215JP-S	\$1,321	P1S	132	1.15	6.70	89.5	21.969	230/460	9
7.5	5.5	3600	182/4JP	007360T3E184JP-S	\$1,086	P1S	89	1.15	8.70	88.5	19.724	230/460	9
		3600	182/4JP	007360T3H184JP-S	\$1,086	P1S	89	1.15	6.90	88.5	19.724	575	9
		3600	182/4JP	007360T3V184JP-S	\$1,086	P1S	89	1.15	10.0	88.5	19.724	200/400	9
		1800	213/5JP	007180T3E213JP-S	\$1,120	P1S	144	1.15	9.30	91.0	21.575	230/460	9
		1800	213/5JP	007180T3H213JP-S	\$1,120	P1S	144	1.15	7.40	91.0	21.575	575	9
		1800	213/5JP	007180T3V213JP-S	\$1,120	P1S	144	1.15	10.6	91.0	21.575	200/400	9
		1200	254JP	007120T3E254JP	\$2,113	P1C	253	1.15	9.69	90.2	25.049	230/460	
		1200	254/6JP	007120T3E254JP-S	\$2,113	P1S	226	1.15	10.2	90.2	24.843	230/460	9
10	7.5	3600	213/5JP	010360T3E213JP-S	\$1,289	P1S	144	1.15	12.0	89.5	21.969	230/460	9
		3600	213/5JP	010360T3H213JP-S	\$1,289	P1S	144	1.15	9.60	89.5	21.969	575	9
		3600	213/5JP	010360T3V213JP-S	\$1,289	P1S	144	1.15	13.8	89.5	21.969	200/400	9
		1800	213/5JP	010180T3E215JP-S	\$1,366	P1S	149	1.15	12.4	91.7	21.575	230/460	9
		1800	213/5JP	010180T3H215JP-S	\$1,366	P1S	149	1.15	9.90	91.7	21.575	575	9
		1800	213/5JP	010180T3V215JP-S	\$1,366	P1S	149	1.15	14.3	91.7	21.575	200/400	9
		1200	254/6JP	010120T3E256JP-S	\$2,298	P1S	254	1.15	13.9	91.7	24.843	230/460	9
		1200	256JP	010120T3E256JP	\$2,298	P1C	271	1.15	12.8	91.7	26.782	230/460	

continued on next page

Please refer to back cover for description of "NOTES"

For detailed specifications, data sheets, drawings and performance curves visit <http://www.weg.net>

Data subject to change without notice.

Can't find what you are looking for? Call 1-800-ASK-4WEG (275-4934)

CLOSE-COUPLED PUMP ODP MOTORS

JP - ODP - Three Phase - *continued*

HP	kW	RPM	Frame	Catalog Number	List Price	Mult. Symbol	Approx. Shipping Weight (lbs)	Service Factor	FL Amps @ High	FL. Eff (%)	"C" Dimension (in)	Voltage (V)	Notes
15	11	3600	213/5JP	015360T3E215JP-S	\$1,707	P1S	160	1.15	17.2	90.2	22.756	230/460	9
		3600	213/5JP	015360T3H215JP-S	\$1,707	P1S	160	1.15	13.8	90.2	22.756	575	9
		3600	213/5JP	015360T3V215JP-S	\$1,707	P1S	160	1.15	19.8	90.2	22.756	200/400	9
		1800	254JP	015180T3E254JP	\$1,995	P1C	270	1.15	18.6	93.0	25.049	230/460	
		1800	254JP	015180T3H254JP	\$1,995	P1C	269	1.15	14.9	93.0	25.049	575	
		1800	254/6JP	015180T3E254JP-S	\$1,995	P1S	228	1.15	18.6	93.0	24.843	230/460	9
		1800	254/6JP	015180T3H254JP-S	\$1,995	P1S	228	1.15	14.9	93.0	24.843	575	9
		1200	284JP	015120T3E284JP	\$3,163	P1C	389	1.15	17.7	91.7	27.141	230/460	
20	15	3600	254JP	020360T3E254JP	\$2,106	P1C	227	1.15	24.6	91.0	25.049	230/460	
		3600	254JP	020360T3H254JP	\$2,106	P1C	225	1.15	19.7	91.0	25.049	575	
		3600	254JP	020360T3V254JP	\$2,106	P1C	278	1.15	28.3	91.0	25.049	200/400	
		3600	254/6JP	020360T3E254JP-S	\$2,106	P1S	204	1.15	23.8	91.0	24.843	230/460	9
		3600	254/6JP	020360T3H254JP-S	\$2,106	P1S	204	1.15	19.0	91.0	24.843	575	9
		3600	254/6JP	020360T3V254JP-S	\$2,106	P1S	204	1.15	27.4	91.0	24.843	200/400	9
		1800	254/6JP	020180T3E256JP-S	\$2,413	P1S	252	1.15	25.0	93.0	24.843	230/460	9
		1800	254/6JP	020180T3H256JP-S	\$2,413	P1S	252	1.15	20.0	93.0	24.843	575	9
		1800	256JP	020180T3E256JP	\$2,413	P1C	307	1.15	24.7	93.0	26.782	230/460	
		1800	256JP	020180T3H256JP	\$2,413	P1C	320	1.15	19.8	93.0	26.782	575	
1200	286JP	020120T3E286JP	\$3,871	P1C	424	1.15	24.0	92.4	28.634	230/460			
25	18.5	3600	254/6JP	025360T3E256JP-S	\$2,599	P1S	218	1.15	29.1	91.7	24.843	230/460	9
		3600	254/6JP	025360T3H256JP-S	\$2,599	P1S	218	1.15	23.3	91.7	24.843	575	9
		3600	254/6JP	025360T3V256JP-S	\$2,599	P1S	218	1.15	33.5	91.7	24.843	200/400	9
		3600	256JP	025360T3E256JP	\$2,599	P1C	268	1.15	29.8	91.7	26.782	230/460	
		3600	256JP	025360T3H256JP	\$2,599	P1C	310	1.15	23.8	91.7	26.782	575	
		3600	256JP	025360T3V256JP	\$2,599	P1C	310	1.15	34.3	91.7	26.782	200/400	
		1800	284JP	025180T3E284JP	\$2,911	P1C	403	1.15	29.9	93.6	27.141	230/460	
		1800	284JP	025180T3H284JP	\$2,911	P1C	403	1.15	23.9	93.6	27.141	575	
		1200	324JP	025120T3E324JP	\$4,306	P1C	517	1.15	30.4	93.0	29.311	230/460	
30	22	3600	284JP	030360T3E284JP	\$3,185	P1C	377	1.15	34.7	92.4	27.141	230/460	
		3600	284JP	030360T3H284JP	\$3,185	P1C	367	1.15	27.8	92.4	27.141	575	
		3600	284JP	030360T3V284JP	\$3,185	P1C	422	1.15	39.9	92.4	27.141	200/400	
		1800	286JP	030180T3E286JP	\$3,367	P1C	457	1.15	35.4	94.1	28.634	230/460	
		1800	286JP	030180T3H286JP	\$3,367	P1C	453	1.15	28.3	94.1	28.634	575	
		1800	286JP	030180T3V286JP	\$3,367	P1C	457	1.15	40.7	94.1	28.634	200/400	
		1200	326JP	030120T3E326JP	\$4,980	P1C	603	1.15	36.0	93.6	30.807	230/460	
40	30	3600	286JP	040360T3E286JP	\$3,811	P1C	415	1.15	47.1	93.0	28.634	230/460	
		3600	286JP	040360T3H286JP	\$3,811	P1C	414	1.15	37.7	93.0	28.634	575	
		3600	286JP	040360T3V286JP	\$3,811	P1C	533	1.15	54.2	93.0	28.634	200/400	
		1800	324JP	040180T3E324JP	\$3,797	P1C	521	1.15	48.2	94.1	29.311	230/460	
		1800	324JP	040180T3H324JP	\$3,797	P1C	519	1.15	38.6	94.1	29.311	575	
		1800	324JP	040180T3V324JP	\$3,797	P1C	576	1.15	55.4	94.1	29.311	200/400	
		1200	364/5JP	040120T3E364JP	\$7,444	P1C	853	1.15	47.1	94.1	32.019	230/460	

continued on next page

Please refer to back cover for description of "NOTES"

For detailed specifications, data sheets, drawings and performance curves visit <http://www.weg.net>

JP - ODP - Three Phase - *continued*

HP	kW	RPM	Frame	Catalog Number	List Price	Mult. Symbol	Approx. Shipping Weight (lbs)	Service Factor	FL Amps @ High	FL. Eff (%)	"C" Dimension (in)	Voltage (V)	Notes
50	37	3600	324JP	050360T3E324JP	\$4,607	P1C	527	1.15	59.1	93.6	29.311	230/460	
		3600	324JP	050360T3G324JP	\$4,607	P1C	526	1.15	59.1	93.6	29.311	460	
		3600	324JP	050360T3H324JP	\$4,607	P1C	526	1.15	47.3	93.6	29.311	575	
		3600	324JP	050360T3V324JP	\$4,607	P1C	528	1.15	68.0	93.6	29.311	200/400	
		1800	326JP	050180T3E326JP	\$4,878	P1C	591	1.15	59.9	94.5	30.807	230/460	
		1800	326JP	050180T3H326JP	\$4,878	P1C	600	1.15	47.9	94.5	30.807	575	
		1200	364/5JP	050120T3E365JP	\$7,666	P1C	959	1.15	58.8	94.1	32.019	230/460	
60	45	3600	326JP	060360T3E326JP	\$5,432	P1C	565	1.15	71.0	93.6	30.807	230/460	
		3600	326JP	060360T3G326JP	\$5,432	P1C	564	1.15	71.0	93.6	30.807	460	
		3600	326JP	060360T3H326JP	\$5,432	P1C	572	1.15	56.8	93.6	30.807	575	
		3600	326JP	060360T3V326JP	\$5,432	P1C	629	1.15	81.7	93.6	30.807	200/400	
		1800	364/5JP	060180T3E364JP	\$5,994	P1C	911	1.15	69.9	95.0	32.019	230/460	
		1800	364/5JP	060180T3G364JP	\$5,994	P1C	966	1.15	69.9	95.0	32.019	460	
		1800	364/5JP	060180T3H364JP	\$5,994	P1C	896	1.15	55.9	95.0	32.019	575	
		1200	404/5JP	060120T3E404JP	\$9,462	P1C	1035	1.15	70.3	94.5	35.263	230/460	
75	55	3600	364/5JP	075360T3E364JP	\$7,699	P1C	870	1.15	83.4	94.1	32.019	230/460	
		3600	364/5JP	075360T3G364JP	\$7,699	P1C	809	1.15	83.4	94.1	32.019	460	
		3600	364/5JP	075360T3H364JP	\$7,699	P1C	864	1.15	66.7	94.1	32.019	575	
		3600	364/5JP	075360T3V364JP	\$7,699	P1C	871	1.15	95.9	94.1	32.019	200/400	
		1800	364/5JP	075180T3E365JP	\$6,932	P1C	977	1.15	83.5	95.0	32.019	230/460	
		1800	364/5JP	075180T3G365JP	\$6,932	P1C	963	1.15	83.5	95.0	32.019	460	
		1800	364/5JP	075180T3H365JP	\$6,932	P1C	966	1.15	66.8	95.0	32.019	575	
		1200	404/5JP	075120T3E405JP	\$9,762	P1C	1200	1.15	85.9	94.5	35.263	230/460	
100	75	3600	364/5JP	100360T3E365JP	\$8,173	P1C	933	1.15	112	94.5	32.019	230/460	
		3600	364/5JP	100360T3G365JP	\$8,173	P1C	927	1.15	112	94.5	32.019	460	
		1800	404/5JP	100180T3E404JP	\$8,783	P1C	1102	1.15	113	95.4	35.263	230/460	
		1800	404/5JP	100180T3G404JP	\$8,783	P1C	1102	1.15	113	95.4	35.263	460	
125	90	3600	404/5JP	125360T3G404JP	\$10,563	P1C	1212	1.15	133	94.5	35.263	460	
		1800	404/5JP	125180T3G405JP	\$10,317	P1C	1406	1.15	136	95.4	35.263	460	
150	110	3600	404/5JP	150360T3G405JP	\$13,922	P1C	1337	1.15	162	94.5	35.263	460	

Please refer to back cover for description of "NOTES"

For detailed specifications, data sheets, drawings and performance curves visit <http://www.weg.net>

Data subject to change without notice.

Can't find what you are looking for? Call **1-800-ASK-4WEG** (275-4934)

JP - ODP - Three Phase - Footless Vertical - *continued*

HP	KW	RPM	Frame	Catalog Number	List Price	Mult. Symbol	Approx. Shipping Weight (lbs)	Service Factor	FL Amps @ High	FL. Eff (%)	"C" Dimension (in)	Voltage (V)	Notes
50	37	3600	324JP	050360T3E324JPV	\$4,911	P1C	533	1.15	59.1	93.6	32.027	230/460	15
		3600	324JP	050360T3H324JPV	\$4,911	P1C	532	1.15	47.3	93.6	32.027	575	15
		3600	324JP	050360T3V324JPV	\$4,911	P1C	534	1.15	68.0	93.6	32.027	200/400	15
		1800	326JP	050180T3E326JPV	\$5,190	P1C	606	1.15	59.9	94.5	33.523	230/460	15
		1800	326JP	050180T3V326JPV	\$5,190	P1C	655	1.15	68.9	94.5	33.523	200/400	15
60	45	3600	326JP	060360T3E326JPV	\$5,761	P1C	581	1.15	71.0	93.6	33.523	230/460	15
		3600	326JP	060360T3V326JPV	\$5,761	P1C	583	1.15	81.7	93.6	33.523	200/400	15
		1800	364/5JP	060180T3E364JPV	\$6,365	P1C	921	1.15	69.9	95.0	35.208	230/460	15
		1800	364/5JP	060180T3V364JPV	\$6,365	P1C	922	1.15	80.4	95.0	35.208	200/400	15
75	55	3600	364/5JP	075360T3E364JPV	\$8,121	P1C	880	1.15	83.4	94.1	35.208	230/460	15
		3600	364/5JP	075360T3H364JPV	\$8,121	P1C	884	1.15	66.7	94.1	35.208	575	15
		3600	364/5JP	075360T3V364JPV	\$8,121	P1C	881	1.15	95.9	94.1	35.208	200/400	15
		1800	364/5JP	075180T3E365JPV	\$7,331	P1C	987	1.15	83.5	95.0	35.208	230/460	15
		1800	364/5JP	075180T3V365JPV	\$7,331	P1C	988	1.15	96.0	95.0	35.208	200/400	15
100	75	3600	364/5JP	100360T3E365JPV	\$8,609	P1C	943	1.15	112	94.5	35.208	230/460	15
		3600	364/5JP	100360T3H365JPV	\$8,609	P1C	924	1.15	89.6	94.5	35.208	575	15
		3600	364/5JP	100360T3V365JPV	\$8,609	P1C	941	1.15	129	94.5	35.208	200/400	15
		1800	404/5JP	100180T3E404JPV	\$9,237	P1C	1084	1.15	113	95.4	38.452	230/460	15
		1800	404/5JP	100180T3V404JPV	\$9,237	P1C	1085	1.15	130	95.4	38.452	200/400	15

Please refer to back cover for description of "NOTES"

For detailed specifications, data sheets, drawings and performance curves visit <http://www.weg.net>

Data subject to change without notice.

Can't find what you are looking for? Call **1-800-ASK-4WEG** (275-4934)



JM - TEFC - Three Phase

HP	kW	RPM	Frame	Catalog Number	List Price	Mult. Symbol	Approx. Shipping Weight (lbs)	Service Factor	FL Amps @ High	FL. Eff (%)	"C" Dimension (in)	Voltage (V)	Notes
1	0.75	1800	143/5JM	00118ET3E143JM-SG	\$764	P1S	45	1.15	1.50	85.5	16.102	230/460	9;34
		1800	143/5JM	00118ET3H143JM-SG	\$764	P1S	45	1.15	1.20	85.5	16.102	575	9;34
1.5	1.1	3600	143/5JM	00156ET3E143JM-SG	\$850	P1S	41	1.15	1.90	84.0	15.709	230/460	9;34
		3600	143/5JM	00156ET3H143JM-SG	\$850	P1S	41	1.15	1.50	84.0	15.709	575	9;34
		1800	143/5JM	00158ET3E145JM-SG	\$793	P1S	47	1.15	2.00	86.5	16.102	230/460	9;34
		1800	143/5JM	00158ET3H145JM-SG	\$793	P1S	47	1.15	1.60	86.5	16.102	575	9;34
2	1.5	3600	143/5JM	00236ET3E145JM-SG	\$834	P1S	47	1.15	2.50	85.5	16.496	230/460	9;34
		3600	143/5JM	00236ET3H145JM-SG	\$834	P1S	47	1.15	2.00	85.5	16.496	575	9;34
		1800	143/5JM	00218ET3E145JM-SG	\$858	P1S	50	1.15	2.70	86.5	16.496	230/460	9;34
		1800	143/5JM	00218ET3H145JM-SG	\$858	P1S	50	1.15	2.20	86.5	16.496	575	9;34
3	2.2	3600	182/4JM	00336ET3E182JM-SG	\$1,103	P1S	81	1.15	3.70	86.5	17.835	230/460	9;34
		3600	182/4JM	00336ET3H182JM-SG	\$1,103	P1S	81	1.15	2.90	86.5	17.835	575	9;34
		1800	182/4JM	00318ET3E182JM-SG	\$1,211	P1S	87	1.15	3.80	89.5	19.409	230/460	9;34
		1800	182/4JM	00318ET3H182JM-SG	\$1,211	P1S	101	1.15	3.10	89.5	19.409	575	9;34
5	3.7	3600	182/4JM	00536ET3E184JM-SG	\$1,264	P1S	99	1.15	5.90	88.5	19.409	230/460	9;34
		3600	182/4JM	00536ET3H184JM-SG	\$1,264	P1S	99	1.15	4.70	88.5	19.409	575	9;34
		1800	182/4JM	00518ET3E184JM-SG	\$1,331	P1S	94	1.15	6.50	89.5	19.409	230/460	9;34
		1800	182/4JM	00518ET3H184JM-SG	\$1,331	P1S	94	1.15	5.20	89.5	19.409	575	9;34
7.5	5.5	3600	213/5JM	00736ET3E213JM-SG	\$1,645	P1S	152	1.15	8.70	89.5	21.220	230/460	9;34
		3600	213/5JM	00736ET3H213JM-SG	\$1,645	P1S	152	1.15	6.90	89.5	21.220	575	9;34
		1800	213/5JM	00718ET3E213JM-SG	\$1,743	P1S	139	1.15	9.10	91.7	20.039	230/460	9;34
		1800	213/5JM	00718ET3H213JM-SG	\$1,743	P1S	139	1.15	7.30	91.7	20.039	575	9;34
10	7.5	3600	213/5JM	01036ET3E215JM-SG	\$2,001	P1S	179	1.15	11.5	90.2	22.795	230/460	9;34
		3600	213/5JM	01036ET3H215JM-SG	\$2,001	P1S	179	1.15	9.20	90.2	22.795	575	9;34
		1800	213/5JM	01018ET3E215JM-SG	\$2,023	P1S	151	1.15	12.2	91.7	20.433	230/460	9;34
		1800	213/5JM	01018ET3H215JM-SG	\$2,023	P1S	151	1.15	9.80	91.7	20.433	575	9;34
15	11	3600	213/5JM	01536ET3E215JM-SG	\$2,258	P1S	178	1.15	17.0	91.0	22.795	230/460	9;34
		3600	213/5JM	01536ET3H215JM-SG	\$2,258	P1S	178	1.15	13.6	91.0	22.795	575	9;34
		3600	254/6JM	01536ET3E254JM-SG	\$2,909	P1S	216	1.15	17.4	91.0	24.055	230/460	9;34
		3600	254/6JM	01536ET3H254JM-SG	\$2,909	P1S	216	1.15	13.9	91.0	24.055	575	9;34
		1800	254/6JM	01518ET3E254JM-SG	\$2,933	P1S	249	1.15	18.2	92.4	24.055	230/460	9;34
		1800	254/6JM	01518ET3H254JM-SG	\$2,933	P1S	249	1.15	14.6	92.4	24.055	575	9;34
20	15	3600	254/6JM	02036ET3E256JM-SG	\$3,298	P1S	257	1.15	22.7	91.0	24.843	230/460	9;34
		3600	254/6JM	02036ET3H256JM-SG	\$3,298	P1S	257	1.15	18.2	91.0	24.843	575	9;34
		1800	254/6JM	02018ET3E256JM-SG	\$3,188	P1S	279	1.15	24.7	92.4	24.843	230/460	9;34
		1800	254/6JM	02018ET3H256JM-SG	\$3,188	P1S	279	1.15	19.8	93.0	24.843	575	9;34



JP - TEFC - Three Phase

HP	kW	RPM	Frame	Catalog Number	List Price	Mult. Symbol	Approx. Shipping Weight (lbs)	Service Factor	FL Amps @ High	FL. Eff (%)	"C" Dimension (in)	Voltage (V)	Notes
1	0.75	1800	143/5JP	00118ET3E143JP-SG	\$764	P1S	50	1.15	1.50	85.5	19.173	230/460	9;34
		3600	143/5JP	00156ET3E143JP-SG	\$850	P1S	46	1.15	1.90	84.0	18.780	230/460	9;34
1.5	1.1	1800	143/5JP	00158ET3E145JP-SG	\$793	P1S	52	1.15	2.00	86.5	19.173	230/460	9;34
		3600	143/5JP	00236ET3E145JP-SG	\$834	P1S	52	1.15	2.50	85.5	19.567	230/460	9;34
2	1.5	1800	143/5JP	00218ET3E145JP-SG	\$858	P1S	55	1.15	2.70	86.5	19.567	230/460	9;34
		3600	182/4JP	00336ET3E182JP-SG	\$1,103	P1S	88	1.15	3.70	86.5	20.906	230/460	9;34
3	2.2	1800	182/4JP	00318ET3E182JP-SG	\$1,211	P1S	87	1.15	3.80	89.5	22.480	230/460	9;34
		3600	182/4JP	00536ET3E184JP-SG	\$1,264	P1S	106	1.15	5.90	88.5	22.480	230/460	9;34
5	3.7	1800	182/4JP	00518ET3E184JP-SG	\$1,331	P1S	105	1.15	6.50	89.5	22.480	230/460	9;34
		3600	213/5JP	00736ET3E213JP-SG	\$1,645	P1S	161	1.15	8.70	89.5	25.079	230/460	9;34
7.5	5.5	1800	213/5JP	00718ET3E213JP-SG	\$1,743	P1S	148	1.15	9.10	91.7	23.898	230/460	9;34
		1800	213/5JP	00718ET3H213JP-SG	\$1,743	P1S	148	1.15	7.30	91.7	23.898	575	9;34
		3600	213/5JP	01036ET3E215JP-SG	\$2,001	P1S	184	1.15	11.5	90.2	26.654	230/460	9;34
10	7.5	1800	213/5JP	01018ET3E215JP-SG	\$2,023	P1S	160	1.15	12.2	91.7	24.291	230/460	9;34
		1800	213/5JP	01018ET3H215JP-SG	\$2,023	P1S	160	1.15	9.80	91.7	24.291	575	9;34
		3600	254/6JP	01536ET3E254JP-SG	\$2,909	P1S	217	1.15	17.4	91.0	26.929	230/460	9;34
15	11	1800	254/6JP	01518ET3E254JP-SG	\$2,933	P1S	251	1.15	18.2	92.4	26.929	230/460	9;34
		3600	254/6JP	02036ET3E256JP-SG	\$3,298	P1S	258	1.15	22.7	91.0	27.717	230/460	9;34
20	15	1800	254/6JP	02018ET3E256JP-SG	\$3,188	P1S	281	1.15	24.7	93.0	27.717	230/460	9;34
		3600	324/6JP	05018ET3E326JP-W22G	\$7,024	P1	476	1.25	59.2	94.5	34.021	230/460	34

Please refer to back cover for description of "NOTES"

For detailed specifications, data sheets, drawings and performance curves visit <http://www.weg.net>

Data subject to change without notice.

Can't find what you are looking for? Call 1-800-ASK-4WEG (275-4934)



CLOSE-COUPLED PUMP ODP MOTORS - WITH INTERNAL AEGIS® SGR

JM - ODP - Three Phase

HP	kW	RPM	Frame	Catalog Number	List Price	Mult. Symbol	Approx. Shipping Weight (lbs)	Service Factor	FL Amps @ High	FL. Eff (%)	"C" Dimension (in)	Voltage (V)	Notes
1	0.75	1800	143/5JM	001180T3E143JM-SG	\$626	P1S	40	1.15	1.50	85.5	13.701	230/460	9;34
		1800	143/5JM	001180T3H143JM-SG	\$626	P1S	40	1.15	1.20	85.5	13.701	575	9;34
1.5	1.1	3600	143/5JM	001560T3E143JM-SG	\$674	P1S	33	1.15	1.90	84.0	13.701	230/460	9;34
		3600	143/5JM	001560T3H143JM-SG	\$674	P1S	33	1.15	1.50	84.0	13.701	575	9;34
		1800	143/5JM	001580T3E145JM-SG	\$693	P1S	47	1.15	2.10	86.5	14.882	230/460	9;34
		1800	143/5JM	001580T3H145JM-SG	\$693	P1S	47	1.15	1.70	86.5	14.882	575	9;34
2	1.5	3600	143/5JM	002360T3E145JM-SG	\$720	P1S	40	1.15	2.40	85.5	14.094	230/460	9;34
		3600	143/5JM	002360T3H145JM-SG	\$720	P1S	40	1.15	1.90	85.5	14.094	575	9;34
		3600	143/5JM	002360T3V145JM-SG	\$720	P1S	40	1.15	2.80	85.5	14.094	200/400	9;34
		1800	143/5JM	002180T3E145JM-SG	\$747	P1S	44	1.15	2.70	86.5	14.882	230/460	9;34
3	2.2	1800	143/5JM	002180T3H145JM-SG	\$747	P1S	44	1.15	2.20	86.5	14.882	575	9;34
		3600	143/5JM	003360T3E145JM-SG	\$800	P1S	43	1.15	3.60	85.5	14.488	230/460	9;34
		3600	143/5JM	003360T3H145JM-SG	\$800	P1S	43	1.15	2.90	85.5	14.488	575	9;34
		3600	143/5JM	003360T3V145JM-SG	\$800	P1S	43	1.15	4.10	85.5	14.488	200/400	9;34
5	3.7	1800	182/4JM	003180T3E182JM-SG	\$835	P1S	85	1.15	3.90	89.5	16.654	230/460	9;34
		1800	182/4JM	003180T3H182JM-SG	\$835	P1S	85	1.15	3.10	89.5	16.654	575	9;34
		1800	182/4JM	003180T3V182JM-SG	\$835	P1S	85	1.15	4.40	89.5	16.654	200/400	9;34
		3600	182/4JM	005360T3E182JM-SG	\$962	P1S	70	1.15	6.10	86.5	16.260	230/460	9;34
7.5	5.5	3600	182/4JM	005360T3H182JM-SG	\$962	P1S	70	1.15	4.90	86.5	16.260	575	9;34
		3600	182/4JM	005360T3V182JM-SG	\$962	P1S	70	1.15	7.00	86.5	16.260	200/400	9;34
		1800	182/4JM	005180T3E184JM-SG	\$1,019	P1S	96	1.15	6.30	89.5	17.835	230/460	9;34
		1800	182/4JM	005180T3H184JM-SG	\$1,019	P1S	96	1.15	5.10	89.5	17.835	575	9;34
10	7.5	3600	182/4JM	007360T3E184JM-SG	\$1,256	P1S	88	1.15	8.70	88.5	16.654	230/460	9;34
		3600	182/4JM	007360T3H184JM-SG	\$1,256	P1S	88	1.15	6.90	88.5	16.654	575	9;34
		1800	213/5JM	007180T3E213JM-SG	\$1,320	P1S	135	1.15	9.30	91.0	17.717	230/460	9;34
		1800	213/5JM	007180T3H213JM-SG	\$1,320	P1S	135	1.15	7.40	91.0	17.717	575	9;34
15	11	3600	213/5JM	010360T3E213JM-SG	\$1,489	P1S	135	1.15	12.0	89.5	18.110	230/460	9;34
		3600	213/5JM	010360T3H213JM-SG	\$1,489	P1S	135	1.15	9.60	89.5	18.110	575	9;34
		1800	213/5JM	010180T3E215JM-SG	\$1,566	P1S	140	1.15	12.4	91.7	17.717	230/460	9;34
		1800	213/5JM	010180T3H215JM-SG	\$1,566	P1S	140	1.15	9.90	91.7	17.717	575	9;34
20	15	3600	213/5JM	015360T3E215JM-SG	\$1,907	P1S	151	1.15	17.2	90.2	18.898	230/460	9;34
		3600	213/5JM	015360T3H215JM-SG	\$1,907	P1S	151	1.15	13.8	90.2	18.898	575	9;34
		1800	254/6JM	015180T3E254JM-SG	\$2,275	P1S	226	1.15	18.6	93.0	21.969	230/460	9;34
		1800	254/6JM	015180T3H254JM-SG	\$2,275	P1S	226	1.15	14.9	93.0	21.969	575	9;34
25	18.5	3600	254/6JM	020360T3E254JM-SG	\$2,387	P1S	202	1.15	23.8	91.0	21.969	230/460	9;34
		3600	254/6JM	020360T3H254JM-SG	\$2,387	P1S	202	1.15	19.0	91.0	21.969	575	9;34
		1800	254/6JM	020180T3E256JM-SG	\$2,693	P1S	250	1.15	25.0	93.0	21.969	230/460	9;34
		1800	254/6JM	020180T3H256JM-SG	\$2,693	P1S	250	1.15	20.0	93.0	21.969	575	9;34
25	18.5	3600	254/6JM	025360T3E256JM-SG	\$2,879	P1S	225	1.15	29.1	91.7	21.969	230/460	9;34
		3600	254/6JM	025360T3H256JM-SG	\$2,879	P1S	225	1.15	23.3	91.7	21.969	575	9;34



JP - ODP - Three Phase

HP	KW	RPM	Frame	Catalog Number	List Price	Mult. Symbol	Approx. Shipping Weight (lbs)	Service Factor	FL Amps @ High	FL. Eff (%)	"C" Dimension (in)	Voltage (V)	Notes
1	0.75	1800	143/5JP	001180T3E143JP-SG	\$626	P1S	40	1.15	1.50	85.5	16.772	230/460	9;34
1.5	1.1	3600	143/5JP	001560T3E143JP-SG	\$674	P1S	35	1.15	1.90	84.0	16.772	230/460	9;34
		1800	143/5JP	001580T3E145JP-SG	\$693	P1S	47	1.15	2.10	86.5	17.953	230/460	9;34
2	1.5	3600	143/5JP	002360T3E145JP-SG	\$720	P1S	42	1.15	2.40	85.5	17.165	230/460	9;34
		1800	143/5JP	002180T3E145JP-SG	\$747	P1S	45	1.15	2.70	86.5	17.953	230/460	9;34
3	2.2	3600	143/5JP	003360T3E145JP-SG	\$800	P1S	45	1.15	3.60	85.5	17.559	230/460	9;34
		1800	182/4JP	003180T3E182JP-SG	\$835	P1S	85	1.15	3.90	89.5	19.724	230/460	9;34
5	3.7	3600	182/4JP	005360T3E182JP-SG	\$962	P1S	74	1.15	6.10	86.5	19.331	230/460	9;34
		1800	182/4JP	005180T3E184JP-SG	\$1,019	P1S	99	1.15	6.30	89.5	20.906	230/460	9;34
7.5	5.5	3600	182/4JP	007360T3E184JP-SG	\$1,256	P1S	89	1.15	8.70	88.5	19.724	230/460	9;34
		1800	213/5JP	007180T3E213JP-SG	\$1,320	P1S	144	1.15	9.30	91.0	21.575	230/460	9;34
		1800	213/5JP	007180T3H213JP-SG	\$1,320	P1S	144	1.15	7.40	91.0	21.575	575	9;34
		1800	213/5JP	007180T3V213JP-SG	\$1,320	P1S	144	1.15	10.6	91.0	21.575	200/400	9;34
10	7.5	3600	213/5JP	010360T3E213JP-SG	\$1,489	P1S	144	1.15	12.0	89.5	21.969	230/460	9;34
		3600	213/5JP	010360T3H213JP-SG	\$1,489	P1S	144	1.15	9.60	89.5	21.969	575	9;34
		1800	213/5JP	010180T3E215JP-SG	\$1,566	P1S	149	1.15	12.4	91.7	21.575	230/460	9;34
		1800	213/5JP	010180T3H215JP-SG	\$1,566	P1S	149	1.15	9.9	91.7	21.575	575	9;34
		1800	213/5JP	010180T3V215JP-SG	\$1,566	P1S	149	1.15	14.3	91.7	21.575	200/400	9;34
		1800	213/5JP	010180T3E254JP-SG	\$1,566	P1S	149	1.15	14.3	91.7	21.575	200/400	9;34
15	11	3600	213/5JP	015360T3E215JP-SG	\$1,907	P1S	160	1.15	17.2	90.2	22.756	230/460	9;34
		3600	213/5JP	015360T3H215JP-SG	\$1,907	P1S	160	1.15	13.8	90.2	22.756	575	9;34
		1800	254/6JP	015180T3E254JP-SG	\$2,275	P1S	228	1.15	18.6	93.0	24.843	230/460	9;34
20	15	3600	254/6JP	020360T3E254JP-SG	\$2,387	P1S	204	1.15	23.8	91.0	24.843	230/460	9;34
		1800	254/6JP	020180T3E256JP-SG	\$2,693	P1S	252	1.15	25.0	93.0	24.843	230/460	9;34
25	18.5	3600	254/6JP	025360T3E256JP-SG	\$2,879	P1S	218	1.15	29.1	91.7	24.843	230/460	9;34
		1800	284JP	025180T3E284JP-G	\$3,221	P1C	392	1.15	29.9	93.6	27.141	230/460	34

Please refer to back cover for description of "NOTES"

For detailed specifications, data sheets, drawings and performance curves visit <http://www.weg.net>

Data subject to change without notice.

Can't find what you are looking for? Call 1-800-ASK-4WEG (275-4934)

Pump Motors

FIRE PUMP MOTORS

ODP and TEFC- Three Phase - High Efficiency

WEG Open Drip Proof motors are designed to meet demanding applications in environments where dirt and humidity are minimal, with W22 as an option for more demanding environments - (50HZ only). These motors are specifically designed to provide maximum ventilation and cool operation.



ODP

**Inverter Rated:
1000:1 for variable torque**



TEFC

Features that make a difference:

- 50/60 Hz rated (380V on Nameplate)
- 400/415 Available - Same Horse Power at 50 Hz with a 1.15 Service Factor - Except motors with (note 31)
- Class F insulation (Impregnation Resin and Magnet wire are class H)
- Class B Rise at 1.15 Service Factor
- F1 Mounted (Cast Iron Frame motors are F2 convertible)
- Stainless Steel Nameplate - Laser etched with high contrast background (Cast Iron Frames only)
- Cast Iron Frames: Regreasable ball bearings (Frames 254T and up)
- Rolled Steel Frames: ZZ ball bearings (Permanently lubricated)
- UL Listed for Fire Pump service
- 12 leads on 200/400V and 230/460V available on all frames.

ADDITIONAL TECHNICAL DATA

ELECTRICAL DATA: CONTACT WEG
OR VISIT WWW.WEG.NET
MECHANICAL DATA: B-74





ODP - Three Phase

HP	kW	RPM	Frame	Catalog Number	List Price	Mult. Symbol	Approx. Shipping Weight (lbs)	Service Factor	FL Amps @ High	FL. Eff (%)	"C" Dimension (in)	Voltage (V)	Notes
20	15	3600	254T	020360P3EFP254T	\$1,469	W1B	229	1.15	24.3	90.2	20.669	230/460	30;31
		1800	256T	020180P3EFP256T	\$1,526	W1B	263	1.15	25.5	91.0	22.401	230/460	30
25	18.5	3600	254/6T	025360P3EFP256T-S	\$1,783	W1S	192	1.15	29.0	91.0	20.472	230/460	9;30
		3600	254/6T	025360P3HFP256T-S	\$1,783	W1S	192	1.15	23.2	91.0	20.472	575	9;30
		3600	254/6T	025360P3VFP256T-S	\$1,783	W1S	192	1.15	33.3	91.0	20.472	200/400	9;30
		3600	256T	025360P3EFP256T	\$1,783	W1B	253	1.15	29.3	91.0	22.401	230/460	30
		3600	256T	025360P3HFP256T	\$1,783	W1B	254	1.15	23.4	91.0	22.401	575	30
		1800	284TS	025180P3EFP284TS	\$1,799	W1B	339	1.15	30.1	91.7	22.000	230/460	30
		1800	284TS	025180P3VFP284TS	\$1,799	W1B	339	1.15	34.6	91.7	22.000	200/400	30
30	22	3600	284TS	030360P3EFP284TS	\$2,033	W1B	338	1.15	34.5	91.0	22.000	230/460	30
		3600	284TS	030360P3HFP284TS	\$2,033	W1B	338	1.15	27.6	91.0	22.000	575	30
		3600	284TS	030360P3VFP284TS	\$2,033	W1B	338	1.15	39.7	91.0	22.000	200/400	30
		1800	286TS	030180P3EFP286TS	\$2,108	W1B	371	1.15	35.6	92.4	23.504	230/460	30
		1800	286TS	030180P3VFP286TS	\$2,108	W1B	371	1.15	40.9	92.4	23.504	200/400	30
40	30	3600	286TS	040360P3EFP286TS	\$2,757	W1B	378	1.15	46.1	91.7	23.504	230/460	30
		3600	286TS	040360P3HFP286TS	\$2,757	W1B	376	1.15	36.9	91.7	23.504	575	30
		3600	286TS	040360P3VFP286TS	\$2,757	W1B	378	1.15	53.0	91.7	23.504	200/400	30
		1800	324TS	040180P3EFP324TS	\$2,652	W1B	483	1.15	49.4	93.0	24.685	230/460	30
		1800	324TS	040180P3HFP324TS	\$2,652	W1B	530	1.15	39.5	93.0	24.685	575	30
		1800	324TS	040180P3VFP324TS	\$2,652	W1B	483	1.15	56.8	93.0	24.685	200/400	30
50	37	3600	324TS	050360P3EFP324TS	\$3,184	W1B	481	1.15	58.4	92.4	24.685	230/460	30
		3600	324TS	050360P3HFP324TS	\$3,184	W1B	480	1.15	46.7	92.4	24.685	575	30
		3600	324TS	050360P3VFP324TS	\$3,184	W1B	482	1.15	67.2	92.4	24.685	200/400	30
		1800	326TS	050180P3EFP326TS	\$3,015	W1B	507	1.15	60.2	93.0	26.181	230/460	30;31
		1800	326TS	050180P3VFP326TS	\$3,015	W1B	507	1.15	69.2	93.0	26.181	200/400	30;31
60	45	3600	326TS	060360P3EFP326TS	\$4,008	W1B	528	1.15	70.6	93.0	26.181	230/460	30;31
		3600	326TS	060360P3HFP326TS	\$4,008	W1B	526	1.15	56.5	93.0	26.181	575	30
		3600	326TS	060360P3VFP326TS	\$4,008	W1B	527	1.15	81.2	93.0	26.181	200/400	30;31
		1800	364/5TS	060180P3EFP364TS	\$3,703	W1B	815	1.15	70.2	93.6	27.638	230/460	30
		1800	364/5TS	060180P3HFP364TS	\$3,703	W1B	820	1.15	56.2	93.6	27.638	575	30
		1800	364/5TS	060180P3VFP364TS	\$3,703	W1B	815	1.15	80.7	93.6	27.638	200/400	30
75	55	3600	364/5TS	075360P3EFP364TS	\$5,074	W1B	847	1.15	84.3	93.0	27.638	230/460	30
		3600	364/5TS	075360P3HFP364TS	\$5,074	W1B	853	1.15	67.4	93.0	27.638	575	30
		3600	364/5TS	075360P3VFP364TS	\$5,074	W1B	846	1.15	97.0	93.0	27.638	200/400	30
		1800	364/5TS	075180P3EFP365TS	\$4,715	W1B	889	1.15	85.3	94.1	27.638	230/460	30
		1800	364/5TS	075180P3HFP365TS	\$4,715	W1B	894	1.15	68.2	94.1	27.638	575	30
		1800	364/5TS	075180P3VFP365TS	\$4,715	W1B	889	1.15	98.1	94.1	27.638	200/400	30

continued on next page

Please refer to back cover for description of "NOTES"

For detailed specifications, data sheets, drawings and performance curves visit <http://www.weg.net>

Data subject to change without notice.

FIRE PUMP MOTORS

ODP - Three Phase - *continued*

HP	kW	RPM	Frame	Catalog Number	List Price	Mult. Symbol	Approx. Shipping Weight (lbs)	Service Factor	FL Amps @ High	FL. Eff (%)	"C" Dimension (in)	Voltage (V)	Notes
100	75	3600	364/5TS	100360P3EFP365TS	\$6,152	W1B	893	1.15	115	93.0	27.638	230/460	30;31
		3600	364/5TS	100360P3HFP365TS	\$6,152	W1B	896	1.15	92.0	93.0	27.638	575	30
		3600	364/5TS	100360P3VFP365TS	\$6,152	W1B	894	1.15	132	93.0	27.638	200/400	30;31
		1800	404/5TS	100180P3EFP404TS	\$6,065	W1B	989	1.15	118	94.1	31.141	230/460	30;31
		1800	404/5TS	100180P3HFP404TS	\$6,065	W1B	993	1.15	94.4	94.1	31.141	575	30
		1800	404/5TS	100180P3VFP404TS	\$6,065	W1B	987	1.15	136	94.1	31.141	200/400	30;31
		1800	404/5T	100180P3EFP404T	\$6,065	W1B	1020	1.15	118	94.1	34.133	230/460	30;31
125	90	3600	404/5TS	125360P3EFP404TS	\$7,762	W1B	992	1.15	137	93.6	31.141	230/460	30;31
		3600	404/5TS	125360P3GFP404TS	\$7,762	W1B	987	1.15	137	93.6	31.141	460	30;31
		3600	404/5TS	125360P3HFP404TS	\$7,762	W1B	994	1.15	110	93.6	31.141	575	30
		1800	404/5TS	125180P3EFP405TS	\$6,651	W1B	1040	1.15	146	94.5	31.141	230/460	30;31
		1800	404/5TS	125180P3GFP405TS	\$6,651	W1B	1034	1.15	146	94.5	31.141	460	30;31
		1800	404/5TS	125180P3HFP405TS	\$6,651	W1B	1042	1.15	117	94.5	31.141	575	30
150	110	3600	404/5TS	150360P3EFP405TS	\$10,042	W1B	1127	1.15	168	93.6	31.141	230/460	30;31
		3600	404/5TS	150360P3GFP405TS	\$10,042	W1B	1123	1.15	168	93.6	31.141	460	30;31
		3600	404/5TS	150360P3HFP405TS	\$10,042	W1B	1127	1.15	134	93.6	31.141	575	30
		1800	444/5TS	150180P3EFP444TS	\$8,891	W1B	1299	1.15	171	95.0	36.062	230/460	30
		1800	444/5TS	150180P3GFP444TS	\$8,891	W1B	1340	1.15	171	95.0	36.062	460	30
		1800	444/5TS	150180P3HFP444TS	\$8,891	W1B	1336	1.15	137	95.0	36.062	575	30
200	150	3600	444/5TS	200360P3GFP444TS	\$12,782	W1B	1526	1.15	229	94.5	36.062	460	30
		3600	444/5TS	200360P3HFP444TS	\$12,782	W1B	1519	1.15	183	94.5	36.062	575	30
		1800	444/5TS	200180P3GFP445TS	\$10,837	W1B	1501	1.15	230	95.0	36.062	460	30;31
		1800	444/5TS	200180P3HFP445TS	\$10,837	W1B	1439	1.15	184	95.0	36.062	575	30
250	185	3600	444/5TS	250360P3GFP445TS	\$15,654	W1B	1609	1.15	273	94.5	36.062	460	30
		3600	444/5TS	250360P3HFP445TS	\$15,654	W1B	1599	1.15	218	94.5	36.062	575	30
		1800	444/5TS	250180P3GFP445TS	\$13,358	W1B	1651	1.15	273	95.4	36.062	460	30
		1800	444/5TS	250180P3HFP445TS	\$13,358	W1B	1584	1.15	218	95.4	36.062	575	30
300	220	3600	444/5TS	300360P3GFP445TS	\$19,556	W1B	1701	1.15	323	95.0	36.062	460	30
		3600	444/5TS	300360P3HFP445TS	\$19,556	W1B	1690	1.15	258	95.0	36.062	575	30
		1800	447/9TS	300180P3GFP447/9TSW4	\$19,168	W1B	2051	1.15	336	95.5	42.959	460	30;31
350	260	3600	447/9TS	350360P3GFP447/9TSW4	\$22,346	W1B	2067	1.15	386	95.0	42.959	460	30
		3600	447/9TS	350360P3HFP447/9TSW4	\$22,346	W1B	2067	1.15	309	95.0	42.959	575	30
		1800	447/9TS	350180P3GFP447/9TSW4	\$22,807	W1B	2220	1.15	393	95.5	42.959	460	30;31
		1800	447/9TS	350180P3HFP447/9TSW4	\$22,807	W1B	2220	1.15	314	95.5	42.959	575	30;31
400	300	3600	447/9TS	400360P3GFP447/9TSW4	\$24,140	W1B	2176	1.15	443	95.4	42.959	460	30
		3600	447/9TS	400360P3HFP447/9TSW4	\$24,140	W1B	2152	1.15	354	95.4	42.959	575	30
		1800	447/9TS	400180P3GFP447/9TSW4	\$25,570	W1B	2700	1.15	443	95.5	42.959	460	30;31
		1800	447/9TS	400180P3HFP447/9TSW4	\$25,570	W1B	2700	1.15	354	95.5	42.959	575	30;31
450	330	3600	447/9TS	450360P3GFP447/9TSW4	\$26,055	W1B	2261	1.15	480	95.8	42.959	460	30;31
		3600	447/9TS	450360P3HFP447/9TSW4	\$26,055	W1B	2261	1.15	384	95.8	42.959	575	30;31
500	370	3600	447/9TS	500360P3GFP447/9TSW4	\$27,711	W1B	2341	1.15	539	95.8	42.959	460	30;31
		3600	447/9TS	500360P3HFP447/9TSW4	\$27,711	W1B	2341	1.15	431	95.8	42.959	575	30;31

Please refer to back cover for description of "NOTES"

 For detailed specifications, data sheets, drawings and performance curves visit <http://www.weg.net>



ODP - Three Phase - C-Face

HP	kW	RPM	Frame	Catalog Number	List Price	Mult. Symbol	Approx. Shipping Weight (lbs)	Service Factor	FL Amps @ High	FL. Eff (%)	"C" Dimension (in)	Voltage (V)	Notes
7.5	5.5	3600	182/4TC	007360P3EFP184TC-S	\$734	W1S	70	1.15	8.90	87.5	14.764	230/460	9;30
		3600	182/4TC	007360P3VFP184TC-S	\$734	W1S	70	1.15	10.2	87.5	14.764	200/400	9;30
		3600	182/4TC	007360P3HFP184TC-S	\$734	W1S	70	1.15	7.10	87.5	14.764	575	9;30
10	7.5	3600	213/5TC	010360P3EFP213TC-S	\$901	W1S	121	1.15	12.2	88.5	16.575	230/460	9;30;31
		3600	213/5TC	010360P3HFP213TC-S	\$901	W1S	121	1.15	9.80	88.5	16.575	575	9;30
15	11	3600	213/5TC	015360P3EFP215TC-S	\$1,283	W1S	135	1.15	17.5	89.5	16.969	230/460	9;30;31
		3600	213/5TC	015360P3VFP215TC-S	\$1,283	W1S	135	1.15	20.1	89.5	16.969	200/400	9;30;31
20	15	3600	254TC	020360P3EFP254TC	\$1,469	W1B	228	1.15	24.3	90.2	20.669	230/460	30;31
		3600	254TC	020360P3HFP254TC	\$1,469	W1B	227	1.15	19.4	90.2	20.669	575	30
		3600	254TC	020360P3VFP254TC	\$1,469	W1B	228	1.15	28.0	90.2	20.669	200/400	30;31
		3600	254/6TC	020360P3EFP254TC-S	\$1,469	W1S	202	1.15	23.7	90.2	20.472	230/460	9;30;31
		3600	254/6TC	020360P3HFP254TC-S	\$1,469	W1S	202	1.15	19.0	90.2	20.472	575	9;30
		3600	254/6TC	020360P3VFP254TC-S	\$1,469	W1S	202	1.15	27.3	90.2	20.472	200/400	9;30;31
25	18.5	3600	254/6TC	025360P3EFP256TC-S	\$1,783	W1S	207	1.15	29.0	91.0	20.472	230/460	9;30
		3600	254/6TC	025360P3VFP256TC-S	\$1,783	W1S	207	1.15	33.3	91.0	20.472	200/400	9;30;31
		3600	256TC	025360P3EFP256TC	\$1,783	W1B	252	1.15	29.3	91.0	22.401	230/460	30
		3600	256TC	025360P3VFP256TC	\$1,783	W1B	252	1.15	33.7	91.0	22.401	200/400	30
30	22	3600	284TSC	030360P3EFP284TSC	\$2,033	W1B	345	1.15	34.5	91.0	22.000	230/460	30
		3600	284TSC	030360P3VFP284TSC	\$2,033	W1B	345	1.15	39.7	91.0	22.000	200/400	30
40	30	3600	286TSC	040360P3EFP286TSC	\$2,757	W1B	384	1.15	46.1	91.7	23.504	230/460	30
		3600	286TSC	040360P3HFP286TSC	\$2,757	W1B	383	1.15	36.9	91.7	23.504	575	30
		3600	286TSC	040360P3VFP286TSC	\$2,757	W1B	384	1.15	53.0	91.7	23.504	200/400	30
		1800	324TC	040180P3EFP324TC	\$2,752	W1B	496	1.15	49.4	93.0	26.181	230/460	30
50	37	3600	324TSC	050360P3EFP324TSC	\$3,184	W1B	492	1.15	58.4	92.4	24.685	230/460	30
		3600	324TSC	050360P3VFP324TSC	\$3,184	W1B	492	1.15	67.2	92.4	24.685	200/400	30
		1800	326TC	050180P3EFP326TC	\$3,135	W1B	520	1.15	60.2	93.0	27.667	230/460	30;31
60	45	3600	326TSC	060360P3EFP326TSC	\$4,448	W1B	539	1.15	70.6	93.0	26.181	230/460	30
75	55	1800	364/5TC	075180P3EFP365TC	\$5,109	W1B	910	1.15	85.3	94.1	29.764	230/460	30;31
100	75	1800	404/5TC	100180P3EFP404TC	\$6,510	W1B	1030	1.15	118	94.1	34.133	230/460	30;31
		1800	404/5TC	100180P3HFP404TC	\$6,510	W1B	1035	1.15	94.4	94.1	34.133	575	30
		1800	404/5TC	100180P3VFP404TC	\$6,510	W1B	1029	1.15	136	94.1	34.133	200/400	30
125	90	1800	404/5TC	125180P3GFP405TC	\$6,651	W1B	1076	1.15	146	94.5	34.133	460	30;31
		1800	404/5TC	125180P3HFP405TC	\$6,651	W1B	1074	1.15	117	94.5	34.133	575	30

Please refer to back cover for description of "NOTES"

For detailed specifications, data sheets, drawings and performance curves visit <http://www.weg.net>

Data subject to change without notice.

Can't find what you are looking for? Call 1-800-ASK-4WEG (275-4934)



FIRE PUMP MOTORS

ODP – Three-Phase – JM – Footless Vertical

HP	kW	RPM	Frame	Catalog Number	List Price	Mult. Symbol	Approx. Shipping Weight (lbs)	Service Factor	FL Amps @ High	FL. Eff (%)	“C” Dimension (in)	Voltage (V)	Notes		
7.5	5.5	3600	182/4JM	007360P3EFP184JMV-S	\$993	P1S	83	1.15	8.90	87.5	17.600	230/460	9;15;30		
		3600	182/4JM	007360P3HFP184JMV-S	\$993	P1S	83	1.15	7.10	87.5	17.600	575	9;15;30		
		3600	182/4JM	007360P3VFP184JMV-S	\$993	P1S	83	1.15	10.2	87.5	17.600	200/400	9;15;30		
10	7.5	3600	213/5JM	010360P3EFP213JMV-S	\$1,201	P1S	117	1.15	12.2	88.5	18.977	230/460	9;15;30		
		3600	213/5JM	010360P3HFP213JMV-S	\$1,201	P1S	117	1.15	9.80	88.5	18.977	575	9;15;30		
		3600	213/5JM	010360P3VFP213JMV-S	\$1,201	P1S	117	1.15	14.0	88.5	18.977	200/400	9;15;30		
15	11	3600	213/5JM	015360P3EFP215JMV-S	\$1,617	P1S	132	1.15	17.5	89.5	19.370	230/460	9;15;30		
		3600	213/5JM	015360P3HFP215JMV-S	\$1,617	P1S	132	1.15	14.0	89.5	19.370	575	9;15;30		
		3600	213/5JM	015360P3VFP215JMV-S	\$1,617	P1S	132	1.15	20.1	89.5	19.370	200/400	9;15;30		
20	15	3600	254/6JM	020360P3EFP254JMV-S	\$2,092	P1S	206	1.15	23.7	90.2	23.359	230/460	9;15;30		
		3600	254/6JM	020360P3HFP254JMV-S	\$2,092	P1S	206	1.15	19.0	90.2	23.359	575	9;15;30		
		3600	254/6JM	020360P3VFP254JMV-S	\$2,092	P1S	206	1.15	27.3	90.2	23.359	200/400	9;15;30		
25	18.5	3600	254/6JM	025360P3EFP256JMV-S	\$2,352	P1S	211	1.15	29.0	91.0	23.359	230/460	9;15;30		
		3600	254/6JM	025360P3HFP256JMV-S	\$2,352	P1S	211	1.15	23.2	91.0	23.359	575	9;15;30		
		3600	254/6JM	025360P3VFP256JMV-S	\$2,352	P1S	211	1.15	33.3	91.0	23.359	200/400	9;15;30		
30	22	3600	284JM	030360P3EFP284JMV	\$2,954	P1C	351	1.15	34.5	91.0	26.584	230/460	15;30		
		3600	284JM	030360P3HFP284JMV	\$3,181	P1C	368	1.15	27.6	91.0	26.584	575	15;30		
		3600	284JM	030360P3VFP284JMV	\$2,954	P1C	348	1.15	39.7	91.0	26.584	200/400	15;30		
		1800	286JM	030180P3EFP286JMV	\$3,175	P1C	391	1.15	35.6	92.4	28.077	230/460	15;30		
40	30	1800	286JM	030180P3HFP286JMV	\$3,403	P1C	389	1.15	28.5	92.4	28.077	575	15;30		
		3600	286JM	040360P3EFP286JMV	\$3,611	P1C	384	1.15	46.1	91.7	28.077	230/460	15;30		
		3600	286JM	040360P3HFP286JMV	\$3,611	P1C	412	1.15	36.9	91.7	28.077	575	15;30		
		3600	286JM	040360P3VFP286JMV	\$3,611	P1C	414	1.15	53.0	91.7	28.077	200/400	15;30		
		1800	324JM	040180P3EFP324JMV	\$3,621	P1C	547	1.15	49.4	93.0	29.147	230/460	15;30		
50	37	1800	324JM	040180P3HFP324JMV	\$3,621	P1C	545	1.15	39.5	93.0	29.147	575	15;30		
		3600	324JM	050360P3EFP324JMV	\$4,394	P1C	501	1.15	58.4	92.4	29.147	230/460	15;30		
		3600	324JM	050360P3HFP324JMV	\$4,394	P1C	500	1.15	46.7	92.4	29.147	575	15;30		
		3600	324JM	050360P3VFP324JMV	\$4,664	P1C	502	1.15	67.2	92.4	29.147	200/400	15;30		
		1800	326JM	050180P3EFP326JMV	\$4,393	P1C	530	1.15	60.2	93.0	30.643	230/460	15;30		
60	45	1800	326JM	050180P3HFP326JMV	\$4,527	P1C	537	1.15	48.2	93.0	30.643	575	15;30		
		3600	326JM	060360P3EFP326JMV	\$5,171	P1C	550	1.15	70.6	93.0	30.643	230/460	15;30		
		3600	326JM	060360P3HFP326JMV	\$5,305	P1C	555	1.15	56.5	93.0	30.643	575	15;30		
				3600	326JM	060360P3VFP326JMV	\$5,171	P1C	550	1.15	81.2	93.0	30.643	200/400	15;30



ODP – Three-Phase – JP – Footless Vertical

HP	kW	RPM	Frame	Catalog Number	List Price	Mult. Symbol	Approx. Shipping Weight (lbs)	Service Factor	FL Amps @ High	FL. Eff (%)	"C" Dimension (in)	Voltage (V)	Notes
7.5	5.5	3600	182/4JP	007360P3EFP184JPV-S	\$993	P1S	83	1.15	8.90	87.5	20.671	230/460	9;15;30
		3600	182/4JP	007360P3HFP184JPV-S	\$993	P1S	83	1.15	7.10	87.5	20.671	575	9;15;30
		3600	182/4JP	007360P3VFP184JPV-S	\$993	P1S	83	1.15	10.2	87.5	20.671	200/400	9;15;30
		1800	213/5JP	007180P3EFP213JPV-S	\$1,028	P1S	127	1.15	9.30	88.5	22.835	230/460	9;15;30
		1800	213/5JP	007180P3HFP213JPV-S	\$1,028	P1S	127	1.15	7.40	88.5	22.835	575	9;15;30
10	7.5	3600	213/5JP	010360P3EFP213JPV-S	\$1,273	P1S	130	1.15	12.2	88.5	22.835	230/460	9;15;30
		3600	213/5JP	010360P3HFP213JPV-S	\$1,273	P1S	130	1.15	9.80	88.5	22.835	575	9;15;30
		3600	213/5JP	010360P3VFP213JPV-S	\$1,273	P1S	130	1.15	14.0	88.5	22.835	200/400	9;15;30
		1800	213/5JP	010180P3EFP215JPV-S	\$1,245	P1S	142	1.15	12.4	89.5	22.835	230/460	9;15;30
15	11	3600	213/5JP	015360P3EFP215JPV-S	\$1,617	P1S	144	1.15	17.5	89.5	23.229	230/460	9;15;30
		3600	213/5JP	015360P3HFP215JPV-S	\$1,617	P1S	144	1.15	14.0	89.5	23.229	575	9;15;30
		3600	213/5JP	015360P3VFP215JPV-S	\$1,617	P1S	144	1.15	20.1	89.5	23.229	200/400	9;15;30
		1800	254/6JP	015180P3EFP254JPV-S	\$1,847	P1S	203	1.15	18.5	91.0	26.233	230/460	9;15;30
		1800	254/6JP	015180P3VFP254JPV-S	\$1,847	P1S	203	1.15	21.3	91.0	26.233	200/400	9;15;30
20	15	3600	254/6JP	020360P3EFP254JPV-S	\$2,092	P1S	209	1.15	23.7	90.2	26.233	230/460	9;15;30
		3600	254/6JP	020360P3HFP254JPV-S	\$2,092	P1S	209	1.15	19.0	90.2	26.233	575	9;15;30
		3600	254/6JP	020360P3VFP254JPV-S	\$2,092	P1S	209	1.15	27.3	90.2	26.233	200/400	9;15;30
		1800	254/6JP	020180P3EFP256JPV-S	\$2,205	P1S	219	1.15	25.5	91.0	26.233	230/460	9;15;30
25	18.5	3600	254/6JP	025360P3EFP256JPV-S	\$2,518	P1S	214	1.15	29.0	91.0	26.233	230/460	9;15;30
		3600	254/6JP	025360P3HFP256JPV-S	\$2,518	P1S	214	1.15	23.2	91.0	26.233	575	9;15;30
		3600	254/6JP	025360P3VFP256JPV-S	\$2,518	P1S	214	1.15	33.3	91.0	26.233	200/400	9;15;30
		1800	284JP	025180P3EFP284JPV	\$2,768	P1C	373	1.15	30.1	91.7	29.464	230/460	15;30
30	22	3600	284JP	030360P3EFP284JPV	\$3,082	P1C	372	1.15	34.5	91.0	29.464	230/460	15;30
		3600	284JP	030360P3HFP284JPV	\$3,181	P1C	371	1.15	27.6	91.0	29.464	575	15;30
		3600	284JP	030360P3VFP284JPV	\$3,082	P1C	372	1.15	39.7	91.0	29.464	200/400	15;30
		1800	286JP	030180P3EFP286JPV	\$3,224	P1C	410	1.15	35.6	92.4	30.957	230/460	15;30
		1800	286JP	030180P3VFP286JPV	\$3,174	P1C	410	1.15	40.9	92.4	30.957	200/400	15;30
40	30	3600	286JP	040360P3EFP286JPV	\$3,611	P1C	416	1.15	46.1	91.7	30.957	230/460	15;30
		3600	286JP	040360P3HFP286JPV	\$3,499	P1C	414	1.15	36.9	91.7	30.957	575	15;30
		3600	286JP	040360P3VFP286JPV	\$3,611	P1C	416	1.15	53.0	91.7	30.957	200/400	15;30
		1800	324JP	040180P3EFP324JPV	\$3,987	P1C	509	1.15	49.4	93.0	32.027	230/460	15;30
		1800	324JP	040180P3HFP324JPV	\$3,621	P1C	503	1.15	39.5	93.0	32.027	575	15;30
		1800	324JP	040180P3VFP324JPV	\$3,987	P1C	509	1.15	56.8	93.0	32.027	200/400	15;30
50	37	3600	324JP	050360P3EFP324JPV	\$4,372	P1C	503	1.15	58.4	92.4	32.027	230/460	15;30
		3600	324JP	050360P3HFP324JPV	\$4,372	P1C	506	1.15	46.7	92.4	32.027	575	15;30
		3600	324JP	050360P3VFP324JPV	\$4,372	P1C	504	1.15	67.2	92.4	32.027	200/400	15;30
		1800	326JP	050180P3EFP326JPV	\$4,500	P1C	546	1.15	60.2	93.0	33.523	230/460	15;30
		1800	326JP	050180P3HFP326JPV	\$4,394	P1C	533	1.15	48.2	93.0	33.523	575	15;30
		1800	326JP	050180P3VFP326JPV	\$4,500	P1C	546	1.15	69.2	93.0	33.523	200/400	15;30
60	45	3600	326JP	060360P3EFP326JPV	\$5,105	P1C	564	1.15	70.6	93.0	33.523	230/460	15;30
		3600	326JP	060360P3HFP326JPV	\$7,233	P1C	558	1.15	56.5	93.0	33.523	575	15;30
		3600	326JP	060360P3VFP326JPV	\$5,105	P1C	563	1.15	81.2	93.0	33.523	200/400	15;30
		1800	364/5JP	060180P3EFP364JPV	\$6,142	P1C	810	1.15	70.2	93.6	35.208	230/460	15;30
		1800	364/5JP	060180P3VFP364JPV	\$6,142	P1C	810	1.15	80.7	93.6	35.208	200/400	15;30

continued on next page

Please refer to back cover for description of "NOTES"

For detailed specifications, data sheets, drawings and performance curves visit <http://www.weg.net>

Data subject to change without notice.

Can't find what you are looking for? Call 1-800-ASK-4WEG (275-4934)

A-221

FIRE PUMP MOTORS

ODP – Three-Phase – JP – Footless Vertical - continued

HP	kW	RPM	Frame	Catalog Number	List Price	Mult. Symbol	Approx. Shipping Weight (lbs)	Service Factor	FL Amps @ High	FL. Eff (%)	“C” Dimension (in)	Voltage (V)	Notes
75	55	3600	364/5JP	075360P3EFP364JPV	\$7,525	P1C	880	1.15	84.3	93.0	35.208	230/460	15;30
		3600	364/5JP	075360P3HFP364JPV	\$7,525	P1C	886	1.15	67.4	93.0	35.208	575	15;30
		3600	364/5JP	075360P3VFP364JPV	\$7,525	P1C	880	1.15	96.9	93.0	35.208	200/400	15;30
		1800	364/5JP	075180P3EFP365JPV	\$6,967	P1C	922	1.15	85.3	94.1	35.208	230/460	15;30
		1800	364/5JP	075180P3VFP365JPV	\$6,967	P1C	886	1.15	98.1	94.1	35.208	200/400	15;30
100	75	3600	364/5JP	100360P3EFP365JPV	\$8,860	P1C	926	1.15	115	93.0	35.208	230/460	15;30
		3600	364/5JP	100360P3HFP365JPV	\$8,860	P1C	890	1.15	92.0	93.0	35.208	575	15;30
		3600	364/5JP	100360P3VFP365JPV	\$8,860	P1C	927	1.15	132	93.0	35.208	200/400	15;30
		1800	404/5JP	100180P3EFP404JPV	\$8,825	P1C	992	1.15	118	94.1	38.452	230/460	15;30
		1800	404/5JP	100180P3VFP404JPV	\$8,825	P1C	991	1.15	136	94.1	38.452	200/400	15;30



TEFC (50Hz) – Three-Phase – IE2

HP	kW	RPM	Frame	Catalog Number	List Price	Mult. Symbol	Approx. Shipping Weight (lbs)	Service Factor	FL Amps @ High	FL. Eff (%)	“C” Dimension (in)	Voltage (V)	Notes
15	11	3000	254/6T	01530EP30FP254T-W22	\$1,788	W1	266	1.15	19.3	90.2	24.945	380-415	30;32
		1500	254/6T	01515EP30FP254T-W22	\$1,811	W1	298	1.15	20.1	91.0	24.945	380-415	30;32
20	15	3000	254/6T	02030EP30FP256T-W22	\$2,334	W1	306	1.15	26.3	90.2	24.945	380-415	30;32
		1500	254/6T	02015EP30FP256T-W22	\$2,157	W1	347	1.15	27.7	90.9	24.945	380-415	30;32
25	18.5	3000	284/6TS	02530EP30FP284TS-W22	\$2,938	W1	368	1.15	31.3	92.4	26.557	380-415	30
		1500	284/6TS	02515EP30FP284TS-W22	\$2,688	W1	395	1.15	33.1	92.4	26.557	380-415	30;32
30	22	3000	284/6TS	03030EP30FP286TS-W22	\$3,490	W1	428	1.15	37.6	91.5	26.557	380-415	30
		1500	284/6TS	03015EP30FP286TS-W22	\$3,159	W1	447	1.15	40.0	92.1	26.557	380-415	30;32
40	30	3000	324/6TS	04030EP30FP324TS-W22	\$4,489	W1	568	1.15	50.3	92.5	29.616	380-415	30;32
		1500	324/6TS	04015EP30FP324TS-W22	\$3,969	W1	532	1.15	54.2	92.5	29.616	380-415	30;32
50	37	3000	324/6TS	05030EP30FP326TS-W22	\$5,050	W1	592	1.15	63.0	92.8	29.616	380-415	30
		1500	324/6TS	05015EP30FP326TS-W22	\$4,845	W1	567	1.15	66.2	93.0	29.616	380-415	30
60	45	3000	364/5TS	06030EP30FP364TS-W22	\$7,174	W1	927	1.15	74.2	93.0	32.276	380-415	30
		1500	364/5TS	06015EP30FP364TS-W22	\$7,020	W1	1029	1.15	77.6	93.8	32.276	380-415	30
75	55	3000	364/5TS	07530EP30FP365TS-W22	\$8,636	W1	983	1.15	92.0	93.5	32.276	380-415	30
		1500	364/5TS	07515EP30FP365TS-W22	\$8,270	W1	1050	1.15	95.3	94.5	32.276	380-415	30
100	75	3000	404/5TS	10030EP30FP405TS-W22	\$11,402	W1	1192	1.15	125	94.0	36.732	380-415	30
		1500	404/5TS	10015EP30FP405TS-W22	\$11,105	W1	1266	1.15	124	94.5	36.732	380-415	30
125	90	3000	444/5TS	12530EP30FP444TS-W22	\$14,583	W1	1664	1.15	156	94.5	41.200	380-415	30;32
		1500	444/5TS	12515EP30FP444TS-W22	\$14,011	W1	1686	1.15	158	94.6	41.200	380-415	30;32
150	110	3000	444/5TS	15030EP30FP445TS-W22	\$17,938	W1	1801	1.15	185	95.0	41.200	380-415	30;32
		1500	444/5TS	15015EP30FP445TS-W22	\$16,549	W1	1874	1.15	190	94.6	41.200	380-415	30
200	150	3000	445/7TS	20030EP30FP447TS-W22	\$22,384	W1	2242	1.15	236	95.2	44.951	380-415	30
		1500	445/7TS	20015EP30FP447TS-W22	\$20,043	W1	2107	1.15	264	95.3	44.951	380-415	30
250	185	3000	447/9TS	25030EP30FP449TS-W22	\$31,514	W1	2739	1.15	293	95.6	52.588	380-415	30
		1500	447/9TS	25015EP30FP449TS-W22	\$25,463	W1	2883	1.15	313	95.5	52.588	380-415	30

Please refer to back cover for description of “NOTES”

For detailed specifications, data sheets, drawings and performance curves visit <http://www.weg.net>

Data subject to change without notice.

Can't find what you are looking for? Call **1-800-ASK-4WEG (275-4934)**

Pump Motors

P-BASE MOTORS

TEFC - Three Phase - NEMA Premium®

HP and HPH types available. Suitable for dusty and moist environments providing high starting torque.

Standard Features:

- 50/60 Hz capable
- Class F insulation (Impregnation Resin and magnet Wire are class H)
- Stainless Steel Nameplate - Laser etched with high contrast background
- Regreasable ball bearings (Frames 254HP and up)
- Gasketed conduit box
- Class I, Div. 2, Groups A, B, C & D – T3, Class II, Div 2, Groups F & G – T3C

Inverter Rated:

1000:1 for variable torque



Features that make a difference:

- 1.25 Service Factor up to 100 HP
- NPT Threaded terminal box
- HP and HPH types available
- NPT Threaded terminal box

ADDITIONAL TECHNICAL DATA

CONTACT WEG OR VISIT WWW.WEG.NET



TEFC – Three-Phase – NEMA Premium®

HP	kW	RPM	Frame	Catalog Number	List Price	Mult. Symbol	Approx. Shipping Weight (lbs)	Service Factor	FL Amps @ High	FL. Eff (%)	“C” Dimension (in)	Voltage (V)	Notes
1	0.75	1800	143HP	00118ET3E143HP-W22	\$619	P1F	54	1.25	1.43	85.5	14.199	230/460	15
		3600	L143HP	00156ET3E143HP-W22	\$573	P1F	40	1.25	1.98	84.0	16.255	230/460	15
1.5	1.1	1800	145HP	00158ET3E145HP-W22	\$663	P1F	62	1.25	2.00	86.5	15.175	230/460	15;39
		3600	145HP	00236ET3E145HP-W22	\$581	P1F	51	1.25	2.65	85.5	15.175	230/460	15
2	1.5	1800	145HP	00218ET3E145HP-W22	\$730	P1F	63	1.25	2.72	86.5	15.175	230/460	15
		3600	145HP	00336ET3E145HP-W22	\$863	P1F	74	1.25	3.71	86.5	15.175	230/460	15
3	2.2	3600	182HP	00336ET3E182HP-W22	\$925	P1F	88	1.25	3.68	87.5	16.841	230/460	15
		1800	182HP	00318ET3E182HP-W22	\$923	P1F	108	1.25	3.90	89.5	16.841	230/460	15;39
		3600	L184HP	00536ET3E184HP-W22	\$1,084	P1F	113	1.25	5.96	89.5	20.330	230/460	15
5	3.7	1800	184HP	00518ET3E184HP-W22	\$1,045	P1F	117	1.25	6.40	89.5	17.841	230/460	15
		3600	L184HP	00736ET3E184HP-W22	\$1,331	P1F	149	1.25	8.76	89.5	20.330	230/460	15
7.5	5.5	3600	213HP	00736ET3E213HP-W22	\$1,440	P1F	139	1.25	8.57	89.5	19.850	230/460	15
		1800	213HP	00718ET3E213HP-W22	\$1,371	P1F	180	1.25	9.29	91.7	19.850	230/460	15
		3600	215HP	01036ET3E215HP-W22	\$1,727	P1F	193	1.25	11.5	91.7	21.346	230/460	15
10	7.5	1800	215HP	01018ET3E215HP-W22	\$1,641	P1F	201	1.25	12.6	91.7	21.346	230/460	15
		3600	215HP	01536ET3E215HP-W22	\$2,240	P1F	227	1.25	17.0	91.0	21.346	230/460	15
15	11	3600	254HP	01536ET3E254HP-W22	\$2,462	P1F	253	1.25	17.2	91.0	25.573	230/460	15
		1800	254HP	01518ET3E254HP-W22	\$2,463	P1F	364	1.25	18.0	92.4	25.573	230/460	15
		3600	254HP	02036ET3E254HP-W22	\$2,738	P1F	341	1.25	23.2	91.0	25.573	230/460	15
20	15	3600	256HP	02036ET3E256HP-W22	\$2,955	P1F	351	1.25	23.2	91.0	27.305	230/460	15
		1800	256HP	02018ET3E256HP-W22	\$2,721	P1F	308	1.25	24.4	93.0	27.305	230/460	15
		3600	256HP	02536ET3E256HP-W22	\$3,336	P1F	417	1.00	28.1	91.7	27.305	230/460	15
25	18.5	3600	284HP	02536ET3E284HP-W22	\$3,627	P1F	361	1.25	28.5	91.7	28.594	230/460	15
		3600	284HPH	02536ET3E284HPH-W22	\$3,627	P1F	535	1.25	28.5	91.7	30.344	230/460	15
		1800	284HP	02518ET3E284HP-W22	\$3,624	P1F	450	1.25	29.5	93.6	28.594	230/460	15
		1800	284HPH	02518ET3E284HPH-W22	\$3,624	P1F	484	1.25	29.5	93.6	30.344	230/460	15
		3600	284HP	03036ET3E284HP-W22	\$4,040	P1F	535	1.25	33.8	91.7	28.594	230/460	15
30	22	3600	286HP	03036ET3E286HP-W22	\$4,365	P1F	392	1.25	33.8	91.7	30.089	230/460	15
		3600	286HPH	03036ET3E286HPH-W22	\$4,365	P1F	576	1.25	33.8	91.7	31.839	230/460	15
		1800	286HP	03018ET3E286HP-W22	\$3,967	P1F	436	1.25	35.1	93.6	30.089	230/460	15
		1800	286HPH	03018ET3E286HPH-W22	\$3,967	P1F	610	1.25	35.1	93.6	31.839	230/460	15
		3600	286HP	04036ET3E286HP-W22	\$5,160	P1F	598	1.00	45.8	92.4	30.089	230/460	15
40	30	3600	324HP	04036ET3E324HP-W22	\$5,457	P1F	546	1.25	45.8	93.6	33.037	230/460	15
		1800	324HP	04018ET3E324HP-W22	\$5,247	P1F	634	1.25	47.1	94.1	33.037	230/460	15
		3600	324HP	05036ET3E324HP-W22	\$6,461	P1F	787	1.25	55.5	94.1	33.037	230/460	15
50	37	3600	326HP	05036ET3E326HP-W22	\$6,681	P1F	583	1.25	55.5	94.1	34.531	230/460	15
		1800	326HP	05018ET3E326HP-W22	\$6,009	P1F	668	1.25	60.6	94.5	34.531	230/460	15
		3600	326HP	06036ET3E326HP-W22	\$8,632	P1F	658	1.15	68.6	93.6	34.531	230/460	15
60	45	3600	364/5HP	06036ET3E364HP-W22	\$9,484	P1F	823	1.25	68.2	94.1	37.940	230/460	15
		1800	364/5HP	06018ET3E364HP-W22	\$8,525	P1F	1100	1.25	68.4	95.0	37.940	230/460	15
		3600	364/5HP	07536ET3E365HP-W22	\$10,977	P1F	845	1.25	81.6	95.0	37.940	230/460	15
75	55	1800	364/5HP	07518ET3E365HP-W22	\$9,352	P1F	1114	1.25	82.3	95.4	37.940	230/460	15

continued on next page

Please refer to back cover for description of “NOTES”

For detailed specifications, data sheets, drawings and performance curves visit <http://www.weg.net>

Data subject to change without notice.

Can't find what you are looking for? Call 1-800-ASK-4WEG (275-4934)

P-BASE MOTORS

TEFC – Three-Phase – NEMA Premium® - continued

HP	kW	RPM	Frame	Catalog Number	List Price	Mult. Symbol	Approx. Shipping Weight (lbs)	Service Factor	FL Amps @ High	FL. Eff (%)	“C” Dimension (in)	Voltage (V)	Notes
100	75	3600	404/5HP	10036ET3E405HP-W22	\$12,908	P1F	1043	1.25	110	95.0	41.340	230/460	15
		3600	404/5PH	10036ET3E405HPH-W22	\$12,908	P1F	1227	1.25	110	95.0	41.340	230/460	15
		3600	404/5HP	10036ET3G405HP-W22	\$12,908	P1F	1486	1.25	110	95.0	41.340	460	15
		3600	404/5PH	10036ET3G405HPH-W22	\$12,908	P1F	1592	1.25	110	95.0	41.340	460	15
		1800	404/5HP	10018ET3E405HP-W22	\$11,222	P1F	1138	1.25	112	95.4	41.340	230/460	15
		1800	404/5PH	10018ET3E405HPH-W22	\$11,222	P1F	1604	1.25	112	95.4	41.340	230/460	15
		1800	404/5HP	10018ET3G405HP-W22	\$11,222	P1F	1475	1.25	112	95.4	41.340	460	15
		1800	404/5PH	10018ET3G405HPH-W22	\$11,222	P1F	1475	1.25	112	95.4	41.340	460	15
125	90	3600	444/5HP	12536ET3G444HP-W22	\$17,969	P1F	2146	1.15	134	95.0	44.854	460	15
		1800	444/5HP	12518ET3G444HP-W22	\$15,687	P1F	2060	1.15	142	95.4	44.854	460	15
150	110	3600	444/5HP	15036ET3G445HP-W22	\$20,517	P1F	2275	1.15	161	95.4	44.854	460	15
		1800	444/5HP	15018ET3G445HP-W22	\$17,845	P1F	2262	1.15	170	95.8	44.854	460	15

GENERAL PURPOSE MOTORS

TRU-METRIC™

TEFC – Foot Mount A-230

ATEX MOTORS

TEFC – Ex ec A-234

TEFC – Ex db – IE2 A-239

IEC Tru-Metric™ Motors

GENERAL PURPOSE MOTORS

TEFC - Three-Phase

This line is designed and built according to European IEC34 and IEC79 standards.

Standard Features:

- 60 Hz (1.25 Service Factor up to 200 hp) and 50 Hz (1.0 Service Factor)
- Class F insulation (Impregnation Resin and Magnet wire are class H)
- F2 mounted as standard (F1 convertible)
- Stainless Steel Nameplate - Laser etched with high contrast background
- Regreasable ball bearings (Frames 160 and up)
- Gasketed conduit box
- Class I, Div. 2, Groups A, B, C & D – T3, Class II, Div 2, Groups F & G – T3C (Cast Iron Frames only)
- Suitable for WYE/Delta Start (W and Y voltage code motors)
- 660-690V; Sine Wave Only and with Nameplate Mod



W22 Cast Iron



Aluminum

Features that make a difference:

- 1.25 Service Factor for 60 Hz operation (IE3) up to 200 hp
- 1.00 Service Factor for 50 Hz operation (IE3)
- Optimized ventilation system for cooler operation and reduced noise levels
- Solid base for reduced vibration levels (Cast Iron Frames)
- Frames 225 and up can easily be F1 (B3L) converted by simply rotating the terminal box adapter or F3 by removing it
- Aluminum frames have removable feet for easy F1, F2 and F3 (B3L, B3R, B3T) conversion
- Terminal blocks

ADDITIONAL TECHNICAL DATA

ELECTRICAL DATA: B-42 to B-47
MECHANICAL DATA: B-106 to B-109 (Cast Iron)
(Aluminum Frames) CONTACT WEG OR
VISIT WWW.WEG.NET

Inverter Rated (IE3):
1000:1 for variable torque
12:1 for constant torque

* 460V and below only



Refer to electrical and mechanical data sections for additional technical information. Please refer to back cover for description of "NOTES"

For detailed specifications, data sheets, drawings and performance curves visit <http://www.weg.net>

Data subject to change without notice.

Can't find what you are looking for? Call 1-800-ASK-4WEG (275-4934)

A-229



HP	kW	RPM	Frame	Catalog Number	List Price	Mult. Symbol	Approx. Shipping Weight (lbs)	Service Factor	FL Amps @ High	FL Eff (%)	"C" Dimension (in)	Voltage (V)	Notes
0.25	0.18	3600//3000	63	.1836EP3EAL63-W22	\$280	T1	14	1.15	0.48	68.0	8.504	230/460//190/380	2;7
		1800//1500	63	.1818EP3EAL63-W22	\$267	T1	16	1.15	0.51	69.0	8.504	230/460//190/380	2;7
		1200//1000	71	.1812EP3EAL71-W22	\$338	T1	22	1.15	0.77	61.0	9.764	230/460//190/380	2;7
		900//750	80	.1809EP3EAL80-W22	\$540	T1	30	1.25	0.80	50.5	10.866	230/460//190/380	2;7
		900//750	80	.1809EP3WAL80-W22	\$540	T1	28	1.15	0.80	50.5	10.866	460//220-240/380-415	2;7
0.33	0.25	3600//3000	63	.2536EP3EAL63-W22	\$286	T1	16	1.15	0.62	70.0	8.504	230/460//190/380	2;7
		1800//1500	71	.2518EP3EAL71-W22	\$282	T1	24	1.15	0.68	73.0	9.764	230/460//190/380	2;7
		1200//1000	71	.2512EP3EAL71-W22	\$363	T1	24	1.15	1.00	64.0	9.764	230/460//190/380	2;7
		900//750	80	.2509EP3EAL80-W22	\$583	T1	29	1.15	0.87	57.5	10.866	230/460//190/380	2;7
		900//750	80	.2509EP3WAL80-W22	\$583	T1	32	1.15	0.87	57.5	10.866	460//220-240/380-415	2;7
0.5	0.37	3600//3000	71	.3736EP3EAL71-W22	\$309	T1	22	1.15	0.83	73.0	9.764	230/460//190/380	2;7
		1800//1500	71	.3718EP3EAL71-W22	\$290	T1	24	1.15	1.06	73.0	9.764	230/460//190/380	2;7
		1200//1000	80	.3712EP3EAL80-W22	\$378	T1	27	1.15	1.07	64.0	10.866	230/460//190/380	2;7
		900//750	90S/L	.3709EP3EAL90S-W22	\$662	T1	40	1.15	1.35	61.5	12.953	230/460//190/380	2;7
		900//750	90S/L	.3709EP3WAL90S/L-W22	\$662	T1	40	1.15	1.35	61.5	12.953	460//220-240/380-415	2;7
0.75	0.55	3600//3000	71	.5536EP3EAL71-W22	\$316	T1	23	1.15	1.14	76.0	9.764	230/460//190/380	2;7
		1800//1500	80	.5518EP3EAL80-W22	\$333	T1	28	1.15	1.25	77.0	10.866	230/460//190/380	2;7
		1200//1000	80	.5512EP3EAL80-W22	\$405	T1	32	1.15	1.63	66.0	10.866	230/460//190/380	2;7
		900//750	90S/L	.5509EP3EAL90L-W22	\$696	T1	46	1.15	2.12	62.5	12.953	230/460//190/380	2;7
		900//750	90S/L	.5509EP3WAL90S/L-W22	\$696	T1	58	1.15	2.12	62.5	12.953	460//220-240/380-415	2;7
1	0.75	3600//3000	80	.7536ET3WAL80-W22	\$397	T1	27	1.25	1.43	81.5	10.866	460//220-240/380-415	2;7
		1800//1500	90S/L	.7518ET3EAL90S/L-W22	\$420	T1	42	1.25	1.47	85.5	12.953	230/460//190/380	2;7
		1800//1500	90S/L	.7518ET3WAL90S/L-W22	\$420	T1	43	1.25	1.47	85.5	12.953	460//220-240/380-415	2;7
		1200//1000	90S/L	.7512ET3EAL90S-W22	\$537	T1	47	1.25	1.68	82.5	12.953	230/460//190/380	2;7
		1200//1000	90S/L	.7512ET3WAL90S-W22	\$537	T1	51	1.25	1.68	82.5	12.953	460//220-240/380-415	2;7
		900//750	100L	.7509ET3EAL100L-W22	\$869	T1	68	1.25	2.11	75.5	14.803	230/460//190/380	2;7
1.5	1.1	3600//3000	80	.00136ET3EAL80-W22	\$444	T1	29	1.25	2.03	84.0	10.866	230/460//190/380	2;7
		3600//3000	80	.00136ET3WAL80-W22	\$444	T1	30	1.25	2.03	84.0	10.866	460//220-240/380-415	2;7
		1800//1500	90S/L	.00118ET3EAL90S-W22	\$470	T1	44	1.25	2.05	86.5	12.953	230/460//190/380	2;7
		1800//1500	90S/L	.00118ET3WAL90S-W22	\$470	T1	44	1.25	2.05	86.5	12.953	460//220-240/380-415	2;7
		1200//1000	100L	.00112ET3EAL100L-W22	\$746	T1	80	1.00	2.32	87.5	14.803	230/460//190/380	2;7
2	1.5	3600//3000	90S/L	.00156ET3EAL90S-W22	\$504	T1	44	1.25	2.69	85.5	12.953	230/460//190/380	2;7
		3600//3000	90S/L	.00156ET3WAL90S-W22	\$504	T1	44	1.25	2.69	85.5	12.953	460//220-240/380-415	2;7
		1800//1500	90S/L	.00158ET3EAL90L-W22	\$524	T1	49	1.25	2.79	86.5	12.953	230/460//190/380	2;7
		1800//1500	90S/L	.00158ET3WAL90L-W22	\$524	T1	49	1.25	2.79	86.5	12.953	460//220-240/380-415	2;7
		1200//1000	112M	.00152ET3EAL112M-W22	\$923	T1	93	1.25	3.08	88.5	15.472	230/460//190/380	2;7
		1200//1000	112M	.00152ET3WAL112M-W22	\$923	T1	93	1.25	3.08	88.5	15.472	460//220-240/380-415	2;7
		900//750	112M	.00159ET3YAL112M-W22	\$1,001	T1	90	1.25	3.50	84.0	15.472	460//380-415/660-690	2;7
3	2.2	3600//3000	90S/L	.00236ET3EAL90L-W22	\$756	T1	50	1.25	3.85	86.5	12.953	230/460//190/380	2;7
		3600//3000	90S/L	.00236ET3WAL90L-W22	\$756	T1	49	1.25	3.85	86.5	12.953	460//220-240/380-415	2;7
		1800//1500	100L	.00218ET3EAL100L-W22	\$630	T1	66	1.25	4.11	89.5	14.803	230/460//190/380	2;7
		1800//1500	100L	.00218ET3WAL100L-W22	\$630	T1	66	1.25	4.11	89.5	14.803	460//220-240/380-415	2;7
		1200//1000	132S	.00212ET3EAL132S-W22	\$1,166	T1	131	1.25	4.41	89.5	19.291	230/460//190/380	2;7
		1200//1000	132S	.00212ET3YAL132S-W22	\$1,166	T1	136	1.25	4.41	89.5	19.291	460//380-415/660-690	2;7
		900//750	132S	.00209ET3YAL132S-W22	\$1,412	T1	145	1.25	4.75	85.5	19.291	460//380-415/660-690	2;7

continued on next page



TEFC – Foot Mount - continued

HP	KW	RPM	Frame	Catalog Number	List Price	Mult. Symbol	Approx. Shipping Weight (lbs)	Service Factor	FL Amps @ High	FL. Eff (%)	"C" Dimension (in)	Voltage (V)	Notes
4	3	3600/3000	100L	00336ET3EAL100L-W22	\$805	T1	65	1.25	5.01	88.5	14.803	230/460//190/380	2;7
		3600/3000	100L	00336ET3WAL100L-W22	\$805	T1	65	1.25	5.01	88.5	14.803	460//220-240/380-415	2;7
		1800//1500	100L	00318ET3EAL100L-W22	\$672	T1	77	1.25	5.33	89.5	14.803	230/460//190/380	2;7
		1800//1500	100L	00318ET3WAL100L-W22	\$672	T1	77	1.25	5.33	89.5	14.803	460//220-240/380-415	2;7
		1200//1000	132M	00312ET3EAL132M-W22	\$1,247	T1	137	1.25	6.01	89.5	19.291	230/460//190/380	2;7
		1200//1000	132M	00312ET3YAL132M-W22	\$1,247	T1	147	1.25	6.01	89.5	19.291	460//380-415/660-690	2;7
		900//750	132M	00309ET3EAL132M-W22	\$1,610	T1	193	1.25	6.29	85.5	19.291	230/460//190/380	2;7
		900//750	132M	00309ET3YAL132M-W22	\$1,610	T1	156	1.25	6.29	85.5	19.291	460//380-415/660-690	2;7
5.5	4	3600/3000	112M	00436ET3EAL112M-W22	\$874	T1	86	1.25	6.67	88.5	15.472	230/460//190/380	2;7
		3600/3000	112M	00436ET3YAL112M-W22	\$874	T1	86	1.25	6.67	88.5	15.472	460//380-415/660-690	2;7
		1800//1500	112M	00418ET3EAL112M-W22	\$679	T1	93	1.25	7.28	89.5	15.472	230/460//190/380	2;7
		1800//1500	112M	00418ET3YAL112M-W22	\$679	T1	93	1.25	7.28	89.5	15.472	460//380-415/660-690	2;7
		1200//1000	132M	00412ET3EAL132M-W22	\$1,254	T1	147	1.25	7.90	89.5	19.291	230/460//190/380	2;7
		1200//1000	132M	00412ET3YAL132M-W22	\$1,254	T1	147	1.25	7.90	89.5	19.291	460//380-415/660-690	2;7
		900//750	160M	00409ET3Y160M-W22	\$1,947	T1	299	1.25	8.17	86.5	23.543	460//380-415/660-690	7
7.5	5.5	3600//3000	132S	00536ET3EAL132S-W22	\$1,144	T1	136	1.25	8.97	89.5	19.291	230/460//190/380	2;7
		3600//3000	132S	00536ET3YAL132S-W22	\$1,144	T1	136	1.25	8.97	89.5	19.291	460//380-415/660-690	2;7
		1800//1500	132S	00518ET3EAL132S-W22	\$932	T1	142	1.25	9.07	91.7	19.291	230/460//190/380	2;7
		1800//1500	132S	00518ET3YAL132S-W22	\$932	T1	142	1.25	9.07	91.7	19.291	460//380-415/660-690	2;7
		1200//1000	160M	00512ET3Y160M-W22	\$1,760	T1	291	1.25	9.48	91.0	23.543	460//380-415/660-690	7
		900//750	160M	00509ET3Y160M-W22	\$2,244	T1	306	1.25	11.1	87.5	23.543	460//380-415/660-690	7
10	7.5	3600//3000	132S	00736ET3EAL132S-W22	\$1,292	T1	148	1.25	12.3	90.2	19.291	230/460//190/380	2;7
		3600//3000	132S	00736ET3YAL132S-W22	\$1,292	T1	147	1.25	12.3	90.2	19.291	460//380-415/660-690	2;7
		1800//1500	132M	00718ET3EAL132M-W22	\$1,110	T1	159	1.25	12.2	91.7	19.291	230/460//190/380	2;7
		1800//1500	132M	00718ET3YAL132M-W22	\$1,110	T1	159	1.25	12.2	91.7	19.291	460//380-415/660-690	2;7
		1200//1000	160M	00712ET3Y160M-W22	\$2,306	T1	306	1.25	13.1	91.0	23.543	460//380-415/660-690	7
		900//750	160L	00709ET3Y160L-W22	\$2,774	T1	352	1.25	15.2	88.5	25.276	460//380-415/660-690	7
15	11	3600//3000	160M	01136ET3Y160M-W22	\$2,102	T1	304	1.25	17.9	91.7	23.543	460//380-415/660-690	7
		1800//1500	160M	01118ET3Y160M-W22	\$1,726	T1	321	1.25	18.2	92.4	23.543	460//380-415/660-690	7
		1200//1000	160L	01112ET3Y160L-W22	\$3,160	T1	354	1.25	18.8	91.7	25.276	460//380-415/660-690	7
		900//750	180L	01109ET3Y180L-W22	\$4,031	T1	419	1.25	19.5	89.5	27.638	460//380-415/660-690	7
20	15	3600//3000	160M	01536ET3Y160M-W22	\$2,413	T1	320	1.25	24.4	91.7	23.543	460//380-415/660-690	7
		1800//1500	160L	01518ET3Y160L-W22	\$2,118	T1	375	1.25	25.0	93.0	25.276	460//380-415/660-690	7
		1200//1000	180L	01512ET3Y180L-W22	\$3,884	T1	447	1.25	24.7	91.7	27.638	460//380-415/660-690	7
		900//750	200L	01509ET3Y200L-W22	\$5,158	T1	517	1.25	28.0	91.0	30.197	460//380-415/660-690	7
25	18.5	3600//3000	160L	01836ET3Y160L-W22	\$2,925	T1	353	1.25	29.9	92.4	25.276	460//380-415/660-690	7
		1800//1500	180M	01818ET3Y180M-W22	\$2,689	T1	436	1.25	30.6	93.6	26.142	460//380-415/660-690	7
		1200//1000	200L	01812ET3Y200L-W22	\$4,886	T1	552	1.25	30.8	93.0	30.197	460//380-415/660-690	7
		900//750	225S/M	01809ET3Y225S/M-W22	\$5,902	T1	830	1.25	31.6	93.0	34.882	460//380-415/660-690	7
30	22	3600//3000	180M	02236ET3Y180M-W22	\$3,492	T1	424	1.25	34.7	92.4	26.142	460//380-415/660-690	7
		1800//1500	180L	02218ET3Y180L-W22	\$3,225	T1	457	1.25	36.0	93.6	27.638	460//380-415/660-690	7
		1200//1000	200L	02212ET3Y200L-W22	\$4,924	T1	601	1.25	37.1	93.0	30.197	460//380-415/660-690	7
		900//750	225S/M	02209ET3Y225S/M-W22	\$7,506	T1	885	1.25	37.6	93.0	34.882	460//380-415/660-690	7

continued on next page

Please refer to back cover for description of "NOTES"

For detailed specifications, data sheets, drawings and performance curves visit [http:// www.weg.net](http://www.weg.net)

Data subject to change without notice.

Can't find what you are looking for? Call 1-800-ASK-4WEG (275-4934)

GENERAL PURPOSE MOTORS

TEFC – Foot Mount - *continued*

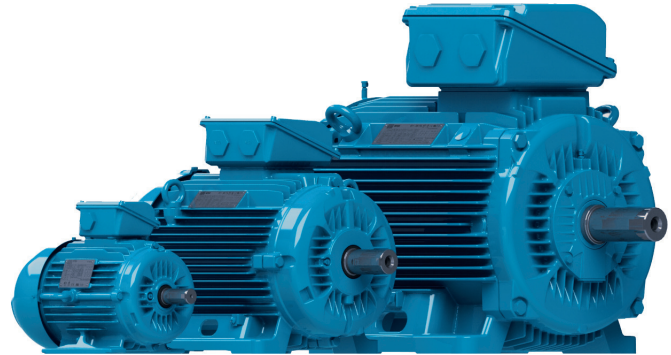
HP	KW	RPM	Frame	Catalog Number	List Price	Mult. Symbol	Approx. Shipping Weight (lbs)	Service Factor	FL Amps @ High	FL Eff (%)	“C” Dimension (in)	Voltage (V)	Notes
40	30	3600//3000	200L	03036ET3Y200L-W22	\$4,877	T1	575	1.25	47.1	93.0	30.197	460//380-415/660-690	7
		1800//1500	200L	03018ET3Y200L-W22	\$4,312	T1	580	1.25	49.4	94.1	30.197	460//380-415/660-690	7
		1200//1000	225S/M	03012ET3Y225S/M-W22	\$7,689	T1	1055	1.25	47.6	94.1	34.882	460//380-415/660-690	7
		900//750	250S/M	03009ET3Y250S/M-W22	\$8,858	T1	1078	1.25	50.9	93.6	37.992	460//380-415/660-690	7
50	37	3600//3000	200L	03736ET3Y200L-W22	\$5,487	T1	587	1.25	61.3	93.6	30.197	460//380-415/660-690	7
		1800//1500	225S/M	03718ET3Y225S/M-W22	\$6,984	T1	1041	1.25	58.5	94.5	34.882	460//380-415/660-690	7
		1200//1000	250S/M	03712ET3Y250S/M-W22	\$9,947	T1	1266	1.25	58.8	94.1	37.992	460//380-415/660-690	7
		900//750	280S/M	03709ET3Y280S/M-W22	\$11,751	T1	1481	1.25	64.1	94.1	42.165	460//380-415/660-690	7
60	45	3600//3000	225S/M	04536ET3Y225S/M-W22	\$7,961	T1	1053	1.25	66.7	94.1	33.701	460//380-415/660-690	7
		1800//1500	225S/M	04518ET3Y225S/M-W22	\$7,391	T1	1022	1.25	69.9	95.0	34.882	460//380-415/660-690	7
		1200//1000	280S/M	04512ET3Y280S/M-W22	\$11,023	T1	1681	1.25	74.7	94.5	42.165	460//380-415/660-690	7
		900//750	280S/M	04509ET3Y280S/M-W22	\$12,815	T1	1631	1.25	77.0	94.1	42.165	460//380-415/660-690	7
75	55	3600//3000	250S/M	05536ET3Y250S/M-W22	\$9,847	T1	1259	1.25	80.3	94.5	37.992	460//380-415/660-690	7
		1800//1500	250S/M	05518ET3Y250S/M-W22	\$8,961	T1	1206	1.25	85.1	95.4	37.992	460//380-415/660-690	7
		1200//1000	280S/M	05512ET3Y280S/M-W22	\$13,622	T1	1794	1.25	90.2	94.5	42.165	460//380-415/660-690	7
		900//750	315S/M	05509ET3Y315S/M-W22	\$15,379	T1	2436	1.25	93.7	94.5	50.157	460//380-415/660-690	7
100	75	3600//3000	280S/M	07536ET3Y280S/M-W22	\$12,472	T1	1776	1.25	111	94.5	42.165	460//380-415/660-690	7
		1800//1500	280S/M	07518ET3Y280S/M-W22	\$12,353	T1	1738	1.25	116	95.4	42.165	460//380-415/660-690	7
		1200//1000	315S/M	07512ET3Y315S/M-W22	\$16,479	T1	2399	1.25	122	95.0	50.157	460//380-415/660-690	7
		900//750	315S/M	07509ET3Y315S/M-W22	\$18,647	T1	2701	1.25	127	95.0	50.157	460//380-415/660-690	7
125	90	3600//3000	280S/M	09036ET3Y280S/M-W22	\$16,720	T1	1862	1.25	132	95.0	42.165	460//380-415/660-690	7
		1800//1500	280S/M	09018ET3Y280S/M-W22	\$15,220	T1	1835	1.25	139	95.4	42.165	460//380-415/660-690	7
		1200//1000	315S/M	09012ET3Y315S/M-W22	\$19,448	T1	2601	1.25	146	95.4	50.157	460//380-415/660-690	7
		900//750	315S/M	09009ET3Y315S/M-W22	\$21,288	T1	2884	1.25	152	95.0	50.157	460//380-415/660-690	7
150	110	3600//3000	315S/M	11036ET3Y315S/M-W22	\$21,018	T1	2382	1.25	163	95.0	48.976	460//380-415/660-690	7
		1800//1500	280S/M	11018ET3Y280S/M-W22	\$17,078	T1	2210	1.25	170	95.8	42.165	460//380-415/660-690	7
		1200//1000	315S/M	11012ET3Y315S/M-W22	\$22,507	T1	2730	1.25	178	95.8	50.157	460//380-415/660-690	7
		900//750	315L	11009ET3Y315L-W22	\$27,910	T1	3008	1.25	186	95.4	54.685	460//380-415/660-690	7
175	132	3600//3000	315S/M	13236ET3Y315S/M-W22	\$23,180	T1	2662	1.25	193	95.4	48.976	460//380-415/660-690	7;43
		1800//1500	315S/M	13218ET3Y315S/M-W22	\$19,732	T1	2540	1.25	203	96.2	50.157	460//380-415/660-690	7
		1200//1000	315S/M	13212ET3Y315S/M-W22	\$25,642	T1	3031	1.25	214	95.8	50.157	460//380-415/660-690	7
		900//750	315L	13209ET3Y315L-W22	\$33,687	T1	3796	1.25	223	95.4	54.685	460//380-415/660-690	7;43
200	150	3600//3000	315S/M	15036ET3Y315S/M-W22	\$26,249	T1	2682	1.25	219	95.4	48.976	460//380-415/660-690	7
		1800//1500	315S/M	15018ET3Y315S/M-W22	\$21,772	T1	2784	1.25	228	96.2	50.157	460//380-415/660-690	7
		1200//1000	315L	15012ET3Y315L-W22	\$28,298	T1	3557	1.15	240	95.8	54.685	460//380-415/660-690	7;43
250	185	3600//3000	315S/M	18536ET3Y315S/M-W22	\$26,529	T1	2900	1.25	269	95.8	48.976	460//380-415/660-690	7
		1800//1500	315S/M	18518ET3Y315S/M-W22	\$26,247	T1	2948	1.25	284	96.2	50.157	460//380-415/660-690	7
		1200//1000	355M/L	18512ET3Y355M/L-W22	\$43,876	T1	3666	1.15	311	95.8	58.346	460//380-415/660-690	7
300	220	3600//3000	315L	22036ET3Y315L-W22	\$44,212	T1	3468	1.25	315	96.2	53.268	460//380-415/660-690	7;43
		1800//1500	315L	22018ET3Y315L-W22	\$36,234	T1	3113	1.25	338	96.2	54.685	460//380-415/660-690	7;43
		1200//1000	355M/L	22012ET3Y355M/L-W22	\$46,322	T1	4507	1.15	370	95.8	58.346	460//380-415/660-690	7;43
350	260	3600//3000	355M/L	26036ET3Y355M/L-W22	\$50,637	T1	4975	1.15	373	96.2	55.591	460//380-415/660-690	7;43
		1800//1500	355M/L	26018ET3Y355M/L-W22	\$43,761	T1	4218	1.15	399	96.2	58.346	460//380-415/660-690	7;43
		1200//1000	355M/L	26012ET3Y355M/L-W22	\$53,001	T1	5075	1.15	436	95.9	58.346	460//380-415/660-690	7;43
400	300	3600//3000	355M/L	30036ET3Y355M/L-W22	\$66,321	T1	4034	1.15	315	96.2	55.591	460//380-415/660-690	7;43
		1800//1500	355M/L	30018ET3Y355M/L-W22	\$60,292	T1	4337	1.00	466	96.2	58.346	460//380-415/660-690	7;43
		1800//1500	355M/L	33018ET3Y355M/L-W22	\$64,557	T1	4906	1.15	505	96.5	58.346	460//380-415/660-690	7;43

ATEX Motors

INCREASED SAFETY

TEFC - Ex ec

Ex ec motors do not require certification by any third party entity (a manufacturer's compliance declaration is sufficient). Nevertheless the Ex ec motors manufactured by WEG are certified by Ex NB BASEEFA.



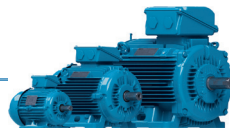
Standard Features:

- 50 Hz and 60 Hz rated (1.00 Service Factor)
- Class F insulation (Impregnation Resin and magnet Wire are class H)
- F3 mounted as standard
- Stainless Steel Nameplate - Laser etched with high contrast background
- Regreasable ball bearings (Frames 160 and up)
- Gasketed conduit box
- Zone 2 & 22, Groups IIA, IIB and IIC
- Temperature Class T3
- Suitable for WYE/Delta Start
- Design N
- Conductive plastic fan (frames 63 up to 315)
- Aluminum fan (frame 355)
- Thermistor 2 per phase

ADDITIONAL TECHNICAL DATA

CONTACT WEG OR VISIT WWW.WEG.NET





HP	kW	RPM	Frame	Catalog Number	List Price	Mult. Symbol	Approx. Shipping Weight (lbs)	Service Factor	FL Amps @ High	FL Eff (%)	"C" Dimension (in)	Voltage (V)	Notes
0.25	0.18	3000//3600	63	E0.1836EP3WAX63F3-W2	\$364	XN	22	1.00	0.51	63.6	8.504	220-240/380-415//440-460	1;8;27
		1500//1800	63	E0.1818EP3WAX63F3-W2	\$365	XN	20	1.00	0.57	64.7	8.504	220-240/380-415//440-460	1;8;27
		1000//1200	71	E0.1812EP3WAX71F3-W2	\$476	XN	29	1.00	0.74	58.6	9.843	220-240/380-415//440-460	1;8;27
0.33	0.25	3000//3600	63	E0.2536EP3WAX63F3-W2	\$373	XN	23	1.00	0.71	64.8	8.504	220-240/380-415//440-460	1;8;27
		1500//1800	71	E0.2518EP3WAX71F3-W2	\$415	XN	27	1.00	0.74	68.5	9.843	220-240/380-415//440-460	1;8;27
		1000//1200	71	E0.2512EP3WAX71F3-W2	\$483	XN	32	1.00	1.05	61.6	9.843	220-240/380-415//440-460	1;8;27
0.5	0.37	3000//3600	71	E0.3736EP3WAX71F3-W2	\$408	XN	24	1.00	0.88	71.2	9.843	220-240/380-415//440-460	1;8;27
		1500//1800	71	E0.3718EP3WAX71F3-W2	\$427	XN	28	1.00	1.03	72.7	9.843	220-240/380-415//440-460	1;8;27
		1000//1200	80	E0.3712EP3WAX80F3-W2	\$507	XN	33	1.00	1.10	67.6	10.906	220-240/380-415//440-460	1;8;27
0.75	0.55	3000//3600	71	E0.5536EP3WAX71F3-W2	\$415	XN	29	1.00	1.20	74.1	9.843	220-240/380-415//440-460	1;8;27
		1500//1800	80	E0.5518EP3WAX80F3-W2	\$488	XN	38	1.00	1.36	77.1	10.906	220-240/380-415//440-460	1;8;27
		1000//1200	80	E0.5512EP3WAX80F3-W2	\$523	XN	36	1.00	1.45	73.1	10.906	220-240/380-415//440-460	1;8;27
1	0.75	3000//3600	80	E0.7536EP3WAX80F3-W2	\$499	XN	37	1.00	1.56	79.5	10.906	220-240/380-415//440-460	1;8;27
		3000//3600	80	E0.7536ET3WAX80F3-W2	\$659	XN	27	1.00	1.63	81.1	10.906	220-240/380-415//440-460	1;8;27
		1500//1800	80	E0.7518EP3WAX80F3-W2	\$507	XN	39	1.00	1.61	80.1	10.906	220-240/380-415//440-460	1;8;27
		1500//1800	80	E0.7518ET3WAX80F3-W2	\$670	XN	39	1.00	1.60	82.8	10.906	220-240/380-415//440-460	1;8;27
		1000//1200	90S	E0.7512EP3WAX90SF3-W	\$660	XN	48	1.00	1.92	76.4	11.969	220-240/380-415//440-460	1;8;27
		1000//1200	L90S	E0.7512ET3WAXL90SF3W	\$872	XN	51	1.00	1.91	79.1	13.169	220-240/380-415//440-460	1;8;27
1.5	1.1	3000//3600	80	E00136EP3WAX80F3-W22	\$538	XN	41	1.00	2.33	80.2	10.906	220-240/380-415//440-460	1;8;27
		3000//3600	80	E00136ET3WAX80F3-W22	\$711	XN	35	1.00	2.32	83.4	10.906	220-240/380-415//440-460	1;8;27
		1500//1800	90S	E00118EP3WAX90SF3-W2	\$578	XN	53	1.00	2.36	82.1	11.969	220-240/380-415//440-460	1;8;27
		1500//1800	90S	E00118ET3WAX90SF3-W2	\$763	XN	51	1.00	2.34	84.8	11.969	220-240/380-415//440-460	1;8;27
		1000//1200	90L	E00112EP3WAX90LF3-W2	\$700	XN	58	1.00	2.80	78.1	12.953	220-240/380-415//440-460	1;8;27
1000//1200	100L	E00112ET3WAX100LF3-W	\$924	XN	126	1.00	2.68	81.5	14.803	220-240/380-415//440-460	1;8;27		
2	1.5	3000//3600	90S	E00156EP3WAX90SF3-W2	\$614	XN	45	1.00	3.08	82.5	11.969	220-240/380-415//440-460	1;8;27
		3000//3600	90S	E00156ET3WAX90SF3-W2	\$811	XN	50	1.00	3.06	85.2	11.969	220-240/380-415//440-460	1;8;27
		1500//1800	90L	E00158EP3WAX90LF3-W2	\$673	XN	56	1.00	3.22	83.1	12.953	220-240/380-415//440-460	1;8;27
		1500//1800	90L	E00158ET3WAX90LF3-W2	\$889	XN	59	1.00	3.15	86.1	12.953	220-240/380-415//440-460	1;8;27
		1000//1200	100L	E00152EP3WAX100LF3-W	\$872	XN	73	1.00	3.71	80.3	14.803	220-240/380-415//440-460	1;8;27
		1000//1200	100L	E00152ET3WAX100LF3-W	\$1,152	XN	98	1.00	3.71	82.8	14.803	220-240/380-415//440-460	1;8;27
3	2.2	3000//3600	90L	E00236EP3WAX90LF3-W2	\$700	XN	63	1.00	4.56	83.9	12.953	220-240/380-415//440-460	1;8;27
		3000//3600	90L	E00236ET3WAX90LF3-W2	\$924	XN	56	1.00	4.37	86.5	12.953	220-240/380-415//440-460	1;8;27
		1500//1800	100L	E00218EP3WAX100LF3-W	\$845	XN	85	1.00	4.56	84.9	14.803	220-240/380-415//440-460	1;8;27
		1500//1800	100L	E00218ET3WAX100LF3-W	\$1,116	XN	77	1.00	4.50	87.2	14.803	220-240/380-415//440-460	1;8;27
		1000//1200	112M	E00212EP3YAX112MF3-W	\$1,181	XN	87	1.00	5.34	83.0	15.512	380-415/660-690//440-460	1;8;27
		1000//1200	112M	E00212ET3YAX112MF3-W	\$1,561	XN	110	1.00	5.16	84.7	15.512	380-415/660-690//440-460	1;8;27
4	3	3000//3600	100L	E00336EP3WAX100LF3-W	\$916	XN	89	1.00	5.85	85.0	14.803	220-240/380-415//440-460	1;8;27
		3000//3600	100L	E00336ET3WAX100LF3-W	\$1,210	XN	80	1.00	5.68	87.4	14.803	220-240/380-415//440-460	1;8;27
		1500//1800	100L	E00318EP3WAX100LF3-W	\$1,016	XN	86	1.00	6.07	86.0	14.803	220-240/380-415//440-460	1;8;27
		1500//1800	L100L	E00318ET3WAXL100LF3W	\$1,342	XN	86	1.00	6.07	88.1	16.457	220-240/380-415//440-460	1;8;27
		1000//1200	132S	E00312EP3YAX132SF3-W	\$1,684	XN	140	1.00	7.34	83.6	17.795	380-415/660-690//440-460	1;8;27
		1000//1200	132S	E00312ET3YAX132SF3-W	\$2,225	XN	147	1.00	6.84	86.0	17.795	380-415/660-690//440-460	1;8;27
5.5	4	3000//3600	112M	E00436EP3YAX112MF3-W	\$1,174	XN	87	1.00	7.50	86.3	15.512	380-415/660-690//440-460	1;8;27
		3000//3600	112M	E00436ET3YAX112MF3-W	\$1,552	XN	94	1.00	7.49	88.4	15.512	380-415/660-690//440-460	1;8;27
		1500//1800	112M	E00418EP3YAX112MF3-W	\$1,388	XN	96	1.00	8.20	87.0	15.512	380-415/660-690//440-460	1;8;27
		1500//1800	112M	E00418ET3YAX112MF3-W	\$1,712	XN	100	1.00	8.09	89.3	15.512	380-415/660-690//440-460	1;8;27
		1000//1200	132M	E00412EP3YAX132MF3-W	\$1,910	XN	155	1.00	9.50	84.9	19.252	380-415/660-690//440-460	1;8;27
		1000//1200	132M	E00412ET3YAX132MF3-W	\$2,524	XN	158	1.00	9.03	86.8	19.252	380-415/660-690//440-460	1;8;27

continued on next page

Please refer to back cover for description of "NOTES"

For detailed specifications, data sheets, drawings and performance curves visit <http://www.weg.net>

TEFC – Ex ec - continued

HP	kW	RPM	Frame	Catalog Number	List Price	Mult. Symbol	Approx. Shipping Weight (lbs)	Service Factor	FL Amps @ High	FL Eff (%)	“C” Dimension (in)	Voltage (V)	Notes
7.5	5.5	3000/3600	132S	E00536EP3YAX132SF3-W	\$1,613	XN	137	1.00	10.5	88.0	17.795	380-415/660-690//440-460	1,8;27
		3000/3600	132S	E00536ET3YAX132SF3-W	\$2,132	XN	145	1.00	10.6	89.2	17.795	380-415/660-690//440-460	1,8;27
		1500/1800	132S	E00518EP3YAX132SF3-W	\$1,798	XN	162	1.00	10.4	87.7	17.795	380-415/660-690//440-460	1,8;27
		1500/1800	132S	E00518ET3YAX132SF3-W	\$2,218	XN	150	1.00	10.1	89.8	17.795	380-415/660-690//440-460	1,8;27
		1000/1200	132M	E00512EP3YAX132MF3-W	\$2,312	XN	164	1.00	12.9	86.2	19.252	380-415/660-690//440-460	1,8;27
		1000/1200	132M/L	E00512ET3YAX132MLF3W	\$3,052	XN	207	1.00	12.6	88.0	20.276	380-415/660-690//440-460	1,8;27
10	7.5	3000/3600	132S	E00736EP3YAX132SF3-W	\$1,833	XN	144	1.00	13.8	88.7	17.795	380-415/660-690//440-460	1,8;27
		3000/3600	132S	E00736ET3YAX132SF3-W	\$2,422	XN	158	1.00	13.9	90.3	17.795	380-415/660-690//440-460	1,8;27
		1500/1800	132M	E00718EP3YAX132MF3-W	\$2,135	XN	164	1.00	13.9	89.4	19.252	380-415/660-690//440-460	1,8;27
		1500/1800	132M	E00718ET3YAX132MF3-W	\$2,634	XN	167	1.00	13.9	90.4	19.252	380-415/660-690//440-460	1,8;27
		1000/1200	160M	E00712EP3YAX160MF3-W	\$3,221	XN	286	1.00	14.7	88.5	23.543	380-415/660-690//440-460	1,8;27
		1000/1200	160M	E00712ET3YAX160MF3-W	\$4,256	XN	298	1.00	14.6	89.1	23.543	380-415/660-690//440-460	1,8;27
15	11	3000/3600	160M	E01136EP3YAX160MF3-W	\$3,150	XN	266	1.00	20.1	90.6	23.543	380-415/660-690//440-460	1,8;27
		3000/3600	160M	E01136ET3YAX160MF3-W	\$4,163	XN	291	1.00	19.7	91.4	23.543	380-415/660-690//440-460	1,8;27
		1500/1800	160M	E01118EP3YAX160MF3-W	\$3,331	XN	269	1.00	20.9	90.3	23.543	380-415/660-690//440-460	1,8;27
		1500/1800	160M	E01118ET3YAX160MF3-W	\$4,108	XN	287	1.00	20.6	91.5	23.543	380-415/660-690//440-460	1,8;27
		1000/1200	160L	E01112EP3YAX160LF3-W	\$4,243	XN	337	1.00	21.7	89.3	25.276	380-415/660-690//440-460	1,8;27
		1000/1200	160L	E01112ET3YAX160LF3-W	\$5,607	XN	347	1.00	21.7	90.3	25.276	380-415/660-690//440-460	1,8;27
20	15	3000/3600	160M	E01536EP3YAX160MF3-W	\$3,398	XN	284	1.00	27.2	91.4	23.543	380-415/660-690//440-460	1,8;27
		3000/3600	160M	E01536ET3YAX160MF3-W	\$4,490	XN	302	1.00	27.7	91.9	23.543	380-415/660-690//440-460	1,8;27
		1500/1800	160L	E01518EP3YAX160LF3-W	\$3,622	XN	313	1.00	28.2	91.2	25.276	380-415/660-690//440-460	1,8;27
		1500/1800	160L	E01518ET3YAX160LF3-W	\$4,696	XN	335	1.00	28.0	92.1	25.276	380-415/660-690//440-460	1,8;27
		1000/1200	180L	E01512EP3YAX180LF3-W	\$5,388	XN	411	1.00	27.1	90.6	27.638	380-415/660-690//440-460	1,8;27
		1000/1200	180L	E01512ET3YAX180LF3-W	\$7,119	XN	435	1.00	27.3	91.2	27.638	380-415/660-690//440-460	1,8;27
25	18.5	3000/3600	160L	E01836EP3YAX160LF3-W	\$3,960	XN	356	1.00	33.2	92.2	25.276	380-415/660-690//440-460	1,8;27
		3000/3600	160L	E01836ET3YAX160LF3-W	\$5,233	XN	335	1.00	33.6	92.4	25.276	380-415/660-690//440-460	1,8;27
		1500/1800	180M	E01818EP3YAX180MF3-W	\$5,439	XN	389	1.00	34.7	91.7	26.142	380-415/660-690//440-460	1,8;27
		1500/1800	180M	E01818ET3YAX180MF3-W	\$6,708	XN	397	1.00	34.7	92.6	26.142	380-415/660-690//440-460	1,8;27
		1000/1200	200L	E01812EP3YAX200LF3-W	\$7,499	XN	502	1.00	35.2	91.3	30.197	380-415/660-690//440-460	1,8;27
		1000/1200	200L	E01812ET3YAX200LF3-W	\$9,910	XN	504	1.00	36.0	91.7	30.197	380-415/660-690//440-460	1,8;27
30	22	3000/3600	180M	E02236EP3YAX180MF3-W	\$5,140	XN	389	1.00	38.1	92.4	26.142	380-415/660-690//440-460	1,8;27
		3000/3600	180M	E02236ET3YAX180MF3-W	\$6,792	XN	402	1.00	39.3	92.7	26.142	380-415/660-690//440-460	1,8;27
		1500/1800	180L	E02218EP3YAX180LF3-W	\$5,934	XN	446	1.00	39.9	92.4	27.638	380-415/660-690//440-460	1,8;27
		1500/1800	180L	E02218ET3YAX180LF3-W	\$7,319	XN	435	1.00	40.6	93.0	27.638	380-415/660-690//440-460	1,8;27
		1000/1200	200L	E02212EP3YAX200LF3-W	\$7,956	XN	526	1.00	41.8	91.6	30.197	380-415/660-690//440-460	1,8;27
		1000/1200	200L	E02212ET3YAX200LF3-W	\$10,539	XN	526	1.00	42.0	92.2	30.197	380-415/660-690//440-460	1,8;27
40	30	3000/3600	200L	E03036EP3YAX200LF3-W	\$7,515	XN	539	1.00	52.2	93.0	30.197	380-415/660-690//440-460	1,8;27
		3000/3600	200L	E03036ET3YAX200LF3-W	\$9,931	XN	548	1.00	54.6	93.3	30.197	380-415/660-690//440-460	1,8;27
		1500/1800	200L	E03018EP3YAX200LF3-W	\$7,716	XN	520	1.00	56.9	92.9	30.197	380-415/660-690//440-460	1,8;27
		1500/1800	200L	E03018ET3YAX200LF3-W	\$10,004	XN	533	1.00	56.4	93.6	30.197	380-415/660-690//440-460	1,8;27
		1000/1200	225S/M	E03012EP3YAX225SMF3W	\$12,034	XN	906	1.00	54.9	92.7	34.882	380-415/660-690//440-460	1,8;27
		1000/1200	225S/M	E03012ET3YAX225SMF3W	\$15,902	XN	952	1.00	54.7	93.0	34.882	380-415/660-690//440-460	1,8;27
50	37	3000/3600	200L	E03736EP3YAX200LF3-W	\$7,987	XN	592	1.00	64.0	93.5	30.197	380-415/660-690//440-460	1,8;27
		3000/3600	200L	E03736ET3YAX200LF3-W	\$10,554	XN	581	1.00	67.0	93.7	30.197	380-415/660-690//440-460	1,8;27
		1500/1800	225S/M	E03718EP3YAX225SMF3W	\$10,284	XN	868	1.00	64.9	93.3	34.882	380-415/660-690//440-460	1,8;27
		1500/1800	225S/M	E03718ET3YAX225SMF3W	\$13,553	XN	920	1.00	66.0	93.9	34.882	380-415/660-690//440-460	1,8;27
		1000/1200	250S/M	E03712EP3YAX250SMF3W	\$13,422	XN	1086	1.00	65.0	93.2	37.992	380-415/660-690//440-460	1,8;27
		1000/1200	250S/M	E03712ET3YAX250SMF3W	\$17,736	XN	1068	1.00	65.5	93.5	37.992	380-415/660-690//440-460	1,8;27

continued on next page

Please refer to back cover for description of “NOTES”

For detailed specifications, data sheets, drawings and performance curves visit <http://www.weg.net>

Data subject to change without notice.

Can't find what you are looking for? Call 1-800-ASK-4WEG (275-4934)

NON-SPARKING

TEFC – Ex ec - continued

HP	kW	RPM	Frame	Catalog Number	List Price	Mult. Symbol	Approx. Shipping Weight (lbs)	Service Factor	FL Amps @ High	FL Eff (%)	"C" Dimension (in)	Voltage (V)	Notes
60	45	3000//3600	225S/M	E04536EP3YAX225SMF3W	\$12,588	XN	899	1.00	75.8	93.8	33.701	380-415/660-690//440-460	1;8;27
		3000//3600	225S/M	E04536ET3YAX225SMF3W	\$16,634	XN	1011	1.00	75.4	94.3	33.701	380-415/660-690//440-460	1;8;27
		1500//1800	225S/M	E04518EP3YAX225SMF3W	\$11,696	XN	914	1.00	81.5	93.7	34.882	380-415/660-690//440-460	1;8;27
		1500//1800	225S/M	E04518ET3YAX225SMF3W	\$15,411	XN	996	1.00	79.0	94.4	34.882	380-415/660-690//440-460	1;8;27
		1000//1200	280S/M	E04512EP3YAX280SMF3W	\$20,481	XN	1478	1.00	83.7	93.5	42.165	380-415/660-690//440-460	1;8;27
		1000//1200	280S/M	E04512ET3YAX280SMF3W	\$27,064	XN	1589	1.00	82.2	94.0	42.165	380-415/660-690//440-460	1;8;27
75	55	3000//3600	250S/M	E05536EP3YAX250SMF3W	\$14,893	XN	1031	1.00	92.5	94.0	37.992	380-415/660-690//440-460	1;8;27
		3000//3600	250S/M	E05536ET3YAX250SMF3W	\$19,680	XN	1134	1.00	93.2	94.4	37.992	380-415/660-690//440-460	1;8;27
		1500//1800	250S/M	E05518EP3YAX250SMF3W	\$14,354	XN	1099	1.00	94.6	94.1	37.992	380-415/660-690//440-460	1;8;27
		1500//1800	250S/M	E05518ET3YAX250SMF3W	\$18,916	XN	1091	1.00	97.5	94.6	37.992	380-415/660-690//440-460	1;8;27
		1000//1200	280S/M	E05512EP3YAX280SMF3W	\$20,781	XN	1551	1.00	99.4	93.9	42.165	380-415/660-690//440-460	1;8;27
		1000//1200	280S/M	E05512ET3YAX280SMF3W	\$27,355	XN	1644	1.00	100	94.3	42.165	380-415/660-690//440-460	1;8;27
100	75	3000//3600	280S/M	E07536EP3YAX280SMF3W	\$20,430	XN	1553	1.00	127	94.3	42.165	380-415/660-690//440-460	1;8;27
		3000//3600	280S/M	E07536ET3YAX280SMF3W	\$26,996	XN	1677	1.00	126	94.9	42.165	380-415/660-690//440-460	1;8;27
		1500//1800	280S/M	E07518EP3YAX280SMF3W	\$20,544	XN	1573	1.00	130	94.4	42.165	380-415/660-690//440-460	1;8;27
		1500//1800	280S/M	E07518ET3YAX280SMF3W	\$27,072	XN	1567	1.00	130	95.2	42.165	380-415/660-690//440-460	1;8;27
		1000//1200	315S/M	E07512EP3YAX315SMF3W	\$23,092	XN	2010	1.00	137	94.2	50.157	380-415/660-690//440-460	1;8;27
		1000//1200	315S/M	E07512ET3YAX315SMF3W	\$30,515	XN	2183	1.00	137	95.0	50.157	380-415/660-690//440-460	1;8;27
125	90	3000//3600	280S/M	E09036EP3YAX280SMF3W	\$21,712	XN	1604	1.00	152	94.5	42.165	380-415/660-690//440-460	1;8;27
		3000//3600	280S/M	E09036ET3YAX280SMF3W	\$28,691	XN	1744	1.00	149	95.2	42.165	380-415/660-690//440-460	1;8;27
		1500//1800	280S/M	E09018EP3YAX280SMF3W	\$21,307	XN	1648	1.00	154	94.7	42.165	380-415/660-690//440-460	1;8;27
		1500//1800	280S/M	E09018ET3YAX280SMF3W	\$28,077	XN	1722	1.00	154	95.4	42.165	380-415/660-690//440-460	1;8;27
		1000//1200	315S/M	E09012EP3YAX315SMF3W	\$27,076	XN	2133	1.00	159	94.6	50.157	380-415/660-690//440-460	1;8;27
		1000//1200	315S/M	E09012ET3YAX315SMF3W	\$35,779	XN	2337	1.00	162	95.2	50.157	380-415/660-690//440-460	1;8;27
150	110	3000//3600	315S/M	E11036EP3YAX315SMF3W	\$26,144	XN	2091	1.00	183	94.9	48.976	380-415/660-690//440-460	1;8;27
		3000//3600	315S/M	E11036ET3YAX315SMF3W	\$34,547	XN	2139	1.00	184	95.4	48.976	380-415/660-690//440-460	1;8;27
		1500//1800	315S/M	E11018EP3YAX315SMF3W	\$27,068	XN	2120	1.00	192	95.0	50.157	380-415/660-690//440-460	1;8;27
		1500//1800	315S/M	E11018ET3YAX315SMF3W	\$35,670	XN	2249	1.00	189	95.5	50.157	380-415/660-690//440-460	1;8;27
		1000//1200	315S/M	E11012EP3YAX315SMF3W	\$34,367	XN	2294	1.00	194	94.9	50.157	380-415/660-690//440-460	1;8;27
		1000//1200	315S/M	E11012ET3YAX315SMF3W	\$45,413	XN	2447	1.00	196	95.1	50.157	380-415/660-690//440-460	1;8;27
175	132	3000//3600	315S/M	E13236EP3YAX315SMF3W	\$29,862	XN	2217	1.00	217	95.2	48.976	380-415/660-690//440-460	1;8;27
		3000//3600	315S/M	E13236ET3YAX315SMF3W	\$39,500	XN	2249	1.00	218	95.6	48.976	380-415/660-690//440-460	1;8;27
		1500//1800	315S/M	E13218EP3YAX315SMF3W	\$31,689	XN	2265	1.00	224	95.2	50.157	380-415/660-690//440-460	1;8;27
		1500//1800	315S/M	E13218ET3YAX315SMF3W	\$42,877	XN	2381	1.00	226	95.6	50.157	380-415/660-690//440-460	1;8;27
		1000//1200	315S/M	E13212EP3YAX315SMF3W	\$52,853	XN	2448	1.00	233	95.0	50.157	380-415/660-690//440-460	1;8;27
		1000//1200	315S/M	E13212ET3YAX315SMF3W	\$76,749	XN	2580	1.00	240	95.6	50.157	380-415/660-690//440-460	1;8;27
200	150	3000//3600	315S/M	E15036EP3YAX315SMF3W	\$31,360	XN	2073	1.00	253	94.8	48.976	220-240/380-415//440-460	1;8;27
		3000//3600	315S/M	E15036ET3YAX315SMF3W	\$41,396	XN	2469	1.00	245	95.6	48.976	380-415/660-690//440-460	1;8;27
		1500//1800	315S/M	E15018EP3YAX315SMF3W	\$33,286	XN	2073	1.00	254	95.4	50.157	220-240/380-415//440-460	1;8;27
		1500//1800	315S/M	E15018ET3YAX315SMF3W	\$43,938	XN	2425	1.00	259	96.0	50.157	380-415/660-690//440-460	1;8;27
		1000//1200	315L	E15012ET3YAX315LF3W2	\$82,712	XN	2800	1.00	269	95.7	54.685	380-415/660-690//440-460	1;8;27
		1000//1200	355M/L	E15012EP3YAX355MLF3W	\$62,660	XN	2073	1.00	291	95.0	58.346	220-240/380-415//440-460	1;8;27

continued on next page

TEFC – Ex ec – continued

HP	kW	RPM	Frame	Catalog Number	List Price	Mult. Symbol	Approx. Shipping Weight (lbs)	Service Factor	FL Amps @ High	FL Eff (%)	"C" Dimension (in)	Voltage (V)	Notes
220	160	3000/3600	315S/M	E16036EP3YAX315SMF3W	\$38,870	XN	2778	1.00	262	95.3	48.976	380-415/660-690//440-460	1;8;27
		3000/3600	315S/M	E16036ET3YAX315SMF3W	\$51,363	XN	2535	1.00	264	95.8	48.976	380-415/660-690//440-460	1;8;27
		1500/1800	315S/M	E16018EP3YAX315SMF3W	\$36,046	XN	2385	1.00	271	95.4	50.157	380-415/660-690//440-460	1;8;27
		1500/1800	315S/M	E16018ET3YAX315SMF3W	\$47,534	XN	2535	1.00	273	95.8	50.157	380-415/660-690//440-460	1;8;27
		1000/1200	315L	E16012EP3YAX315LF3-W	\$60,176	XN	2862	1.00	282	95.2	54.685	380-415/660-690//440-460	1;8;27
		1000/1200	315L	E16012ET3YAX315LF3-W	\$79,990	XN	2866	1.00	287	95.8	54.685	380-415/660-690//440-460	1;8;27
		1000/1200	355M/L	E16012EP3YAX355MLF3W	\$65,792	XN	3488	1.00	290	96.0	58.346	380-415/660-690//440-460	1;8;27
		1000/1200	355M/L	E16012ET3YAX355MLF3W	\$86,940	XN	3592	1.00	302	95.8	58.346	380-415/660-690//440-460	1;8;27
270	200	3000/3600	355M/L	E20036EP3YAX355MLF3W	\$66,531	XN	3922	1.00	320	95.6	55.591	380-415/660-690//440-460	1;8;27
		1500/1800	315L	E20018ET3YAX315LF3-W	\$70,770	XN	2800	1.00	333	96.1	54.685	380-415/660-690//440-460	1;8;27
		1500/1800	355M/L	E20018EP3YAX355MLF3W	\$64,081	XN	3380	1.00	346	95.6	58.346	380-415/660-690//440-460	1;8;27
		1500/1800	355M/L	E20018ET3YAX355MLF3W	\$76,925	XN	3580	1.00	344	96.3	58.346	380-415/660-690//440-460	1;8;27
		1000/1200	315L	E20012EP3YAX315LF3-W	\$66,948	XN	3435	1.00	356	95.4	54.685	380-415/660-690//440-460	1;8;27
		1000/1200	355M/L	E20012EP3YAX355MLF3W	\$74,007	XN	3907	1.00	368	95.7	58.346	380-415/660-690//440-460	1;8;27
		1000/1200	355M/L	E20012ET3YAX355MLF3W	\$97,795	XN	3857	1.00	367	95.9	58.346	380-415/660-690//440-460	1;8;27
340	250	3000/3600	315L	E25036EP3YAX315LF3-W	\$73,948	XN	3351	1.00	400	95.6	53.268	380-415/660-690//440-460	1;8;27
		3000/3600	355M/L	E25036EP3YAX355MLF3W	\$82,191	XN	4275	1.00	392	96.4	55.591	380-415/660-690//440-460	1;8;27
		1500/1800	315L	E25018EP3YAX315LF3-W	\$62,457	XN	3239	1.00	417	95.9	54.685	380-415/660-690//440-460	1;8;27
		1500/1800	315L	E25018ET3YAX315LF3-W	\$76,550	XN	3307	1.00	424	96.4	54.685	380-415/660-690//440-460	1;8;27
		1500/1800	355M/L	E25018EP3YAX355MLF3W	\$67,456	XN	3525	1.00	432	95.8	58.346	380-415/660-690//440-460	1;8;27
		1500/1800	355M/L	E25018ET3YAX355MLF3W	\$83,195	XN	3702	1.00	424	96.4	58.346	380-415/660-690//440-460	1;8;27
		1000/1200	355M/L	E25012EP3YAX355MLF3W	\$88,256	XN	4229	1.00	461	95.5	58.346	380-415/660-690//440-460	1;8;27
		1000/1200	355M/L	E25012ET3YAX355MLF3W	\$111,338	XN	4320	1.00	464	96.0	58.346	380-415/660-690//440-460	1;8;27

Please refer to back cover for description of "NOTES"

 For detailed specifications, data sheets, drawings and performance curves visit <http://www.weg.net>

Data subject to change without notice.

Can't find what you are looking for? Call 1-800-ASK-4WEG (275-4934)

A-237

ATEX Motors

EXPLOSION PROOF

TEFC - Ex db

- 50 Hz and 60 Hz rated (1.00 Service Factor)
- Class F insulation (Impregnation Resin and magnet Wire are class H)
- F3 mounted as standard
- Stainless Steel Nameplate - Laser etched with high contrast background
- Regreasable ball bearings (Frames 225 and up)
- Gasketed conduit box
- Zone 1 and 2, Groups IIA and IIB, class of temperature T4
- Suitable for WYE/Delta Start
- Design N
- Conductive plastic fan (frames 63 up to 315)
- Aluminum fan (frame 355)
- Lip Seal on both endshields
- Thermistors 1 per phase



ADDITIONAL TECHNICAL DATA
CONTACT WEG OR VISIT WWW.WEG.NET





TEFC – Ex db - IE2

HP	kW	RPM	Frame	Catalog Number	List Price	Mult. Symbol	Approx. Shipping Weight (lbs)	Service Factor	FL Amps @ High	FL. Eff (%)	"C" Dimension (in)	Voltage (V)	Notes
1	0.75	3000//3600	90S/L	E0.7536XP3WAX90SF3-W	\$1,267	XD	68	1.00	1.69	79.2	15.118	220-240/380-415//440-460	1;8;27
		1500//1800	90S/L	E0.7518XP3WAX90SF3-W	\$1,283	XD	91	1.00	1.66	80.4	15.118	220-240/380-415//440-460	1;8;27
		1000//1200	90S/L	E0.7512XP3WAX90LF3-W	\$1,199	XD	75	1.00	1.92	76.4	15.118	220-240/380-415//440-460	1;8;27
1.5	1.1	3000//3600	90S/L	E00136XP3WAX90SF3-W	\$1,318	XD	68	1.00	2.33	81.0	15.118	220-240/380-415//440-460	1;8;27
		1500//1800	90S/L	E00118XP3WAX90LF3-W	\$1,334	XD	75	1.00	2.45	82.1	15.118	220-240/380-415//440-460	1;8;27
		1000//1200	90S/L	E00112XP3WAX90LF3-W	\$1,588	XD	75	1.00	2.80	78.1	15.118	220-240/380-415//440-460	1;8;27
2	1.5	3000//3600	90S/L	E00156XP3WAX90SF3-W	\$1,371	XD	60	1.00	3.12	82.5	15.118	220-240/380-415//440-460	1;8;27
		1500//1800	100L	E00158XP3WAX100LF3-W	\$1,488	XD	123	1.00	3.16	83.7	17.244	220-240/380-415//440-460	1;8;27
		1000//1200	100L	E00152XP3WAX100LF3-W	\$1,757	XD	101	1.00	3.71	80.3	17.244	220-240/380-415//440-460	1;8;27
3	2.2	3000//3600	90S/L	E00236XP3WAX90LF3-W	\$1,534	XD	51	1.00	4.56	83.9	15.118	220-240/380-415//440-460	1;8;27
		1500//1800	100L	E00218XP3WAX100LF3-W	\$1,783	XD	136	1.00	4.56	84.9	17.244	220-240/380-415//440-460	1;8;27
		1000//1200	112M	E00212XP3YAX112MF3-W	\$2,040	XD	126	1.00	6.04	84.4	17.953	380-415/660-690//440-460	1;8;27
4	3	3000//3600	100L	E00336XP3WAX100LF3-W	\$1,918	XD	130	1.00	5.85	85.0	17.244	220-240/380-415//440-460	1;8;27
		1500//1800	112M	E00318XP3YAX112MF3-W	\$2,137	XD	145	1.00	6.09	87.9	17.953	380-415/660-690//440-460	1;8;27
		1000//1200	132S/M	E00312XP3YAX132SF3-W	\$3,224	XD	180	1.00	7.34	83.6	20.630	380-415/660-690//440-460	1;8;27
5.5	4	3000//3600	112M	E00436XP3YAX112MF3-W	\$2,414	XD	164	1.00	7.50	86.3	17.953	380-415/660-690//440-460	1;8;27
		1500//1800	112M	E00418XP3YAX112MF3-W	\$2,468	XD	147	1.00	8.00	87.0	17.953	380-415/660-690//440-460	1;8;27
		1000//1200	132S/M	E00412XP3YAX132MF3-W	\$3,607	XD	202	1.00	9.50	84.9	20.630	380-415/660-690//440-460	1;8;27
7.5	5.5	3000//3600	132S/M	E00536XP3YAX132SF3-W	\$3,083	XD	239	1.00	10.6	87.3	20.630	380-415/660-690//440-460	1;8;27
		1500//1800	132S/M	E00518XP3YAX132SF3-W	\$3,025	XD	247	1.00	10.4	87.7	20.630	380-415/660-690//440-460	1;8;27
		1000//1200	132S/M	E00512XP3YAX132MF3-W	\$3,800	XD	219	1.00	12.9	86.2	20.630	380-415/660-690//440-460	1;8;27
10	7.5	3000//3600	132S/M	E00736XP3YAX132SF3-W	\$3,556	XD	252	1.00	13.8	88.7	20.630	380-415/660-690//440-460	1;8;27
		1500//1800	132S/M	E00718XP3YAX132MF3-W	\$3,685	XD	224	1.00	13.9	89.4	20.630	380-415/660-690//440-460	1;8;27
		1000//1200	160M/L	E00712XP3YAX160MF3-W	\$5,017	XD	350	1.00	14.7	88.5	28.228	380-415/660-690//440-460	1;8;27
15	11	3000//3600	160M/L	E01136XP3YAX160MF3-W	\$4,148	XD	446	1.00	20.1	90.6	28.228	380-415/660-690//440-460	1;8;27
		1500//1800	160M/L	E01118XP3YAX160MF3-W	\$4,151	XD	359	1.00	20.9	90.3	28.228	380-415/660-690//440-460	1;8;27
		1000//1200	160M/L	E01112XP3YAX160LF3-W	\$5,281	XD	392	1.00	21.7	89.3	28.228	380-415/660-690//440-460	1;8;27
20	15	3000//3600	160M/L	E01536XP3YAX160MF3-W	\$4,924	XD	461	1.00	27.2	91.4	28.228	380-415/660-690//440-460	1;8;27
		1500//1800	160M/L	E01518XP3YAX160LF3-W	\$4,608	XD	381	1.00	28.2	91.2	28.228	380-415/660-690//440-460	1;8;27
		1000//1200	180M/L	E01512XP3YAX180LF3-W	\$6,436	XD	512	1.00	27.1	90.6	29.606	380-415/660-690//440-460	1;8;27
25	18.5	3000//3600	160M/L	E01836XP3YAX160LF3-W	\$5,915	XD	409	1.00	33.2	92.2	28.228	380-415/660-690//440-460	1;8;27
		1500//1800	180M/L	E01818XP3YAX180MF3-W	\$6,059	XD	584	1.00	34.7	91.7	29.606	380-415/660-690//440-460	1;8;27
		1000//1200	200M/L	E01812XP3YAX200LF3-W	\$8,379	XD	617	1.00	35.2	91.3	32.323	380-415/660-690//440-460	1;8;27
30	22	3000//3600	180M/L	E02236XP3YAX180MF3-W	\$7,099	XD	582	1.00	38.1	92.4	29.606	380-415/660-690//440-460	1;8;27
		1500//1800	180M/L	E02218XP3YAX180LF3-W	\$6,706	XD	478	1.00	39.9	92.4	29.606	380-415/660-690//440-460	1;8;27
		1000//1200	200M/L	E02212XP3YAX200LF3-W	\$9,487	XD	529	1.00	41.8	91.6	32.323	380-415/660-690//440-460	1;8;27
40	30	3000//3600	200M/L	E03036XP3YAX200LF3-W	\$8,824	XD	647	1.00	52.2	93.0	32.323	380-415/660-690//440-460	1;8;27
		1500//1800	200M/L	E03018XP3YAX200LF3-W	\$8,717	XD	684	1.00	56.9	92.9	32.323	380-415/660-690//440-460	1;8;27
		1000//1200	225S/M	E03012XP3YAX225SMF3W	\$12,936	XD	937	1.00	54.9	92.7	37.441	380-415/660-690//440-460	1;8;27
50	37	3000//3600	200M/L	E03736XP3YAX200LF3-W	\$10,812	XD	573	1.00	64.0	93.5	32.323	380-415/660-690//440-460	1;8;27
		1500//1800	225S/M	E03718XP3YAX225SMF3W	\$11,099	XD	998	1.00	64.9	93.3	37.441	380-415/660-690//440-460	1;8;27
		1000//1200	250S/M	E03712XP3YAX250SMF3W	\$15,176	XD	1103	1.00	65.0	93.2	39.724	380-415/660-690//440-460	1;8;27
60	45	3000//3600	225S/M	E04536XP3YAX225SMF3W	\$17,255	XD	1075	1.00	75.8	93.8	36.260	380-415/660-690//440-460	1;8;27
		1500//1800	225S/M	E04518XP3YAX225SMF3W	\$12,846	XD	970	1.00	81.5	93.7	37.441	380-415/660-690//440-460	1;8;27
		1000//1200	280S/M	E04512XP3YAX280SMF3W	\$21,544	XD	1793	1.00	83.7	93.5	44.705	380-415/660-690//440-460	1;8;27

continued on next page

Please refer to back cover for description of "NOTES"

For detailed specifications, data sheets, drawings and performance curves visit <http://www.weg.net>

Data subject to change without notice.

Can't find what you are looking for? Call 1-800-ASK-4WEG (275-4934)

EXPLOSION PROOF

TEFC – Ex db - IE2 - *continued*

HP	kW	RPM	Frame	Catalog Number	List Price	Mult. Symbol	Approx. Shipping Weight (lbs)	Service Factor	FL Amps @ High	FL. Eff (%)	“C” Dimension (in)	Voltage (V)	Notes
75	55	3000//3600	250S/M	E05536XP3YAX250SMF3W	\$21,608	XD	1227	1.00	92.5	94.0	39.724	380-415/660-690//440-460	1;8;27
		1500//1800	250S/M	E05518XP3YAX250SMF3W	\$19,034	XD	1312	1.00	94.6	94.1	39.724	380-415/660-690//440-460	1;8;27
		1000//1200	280S/M	E05512XP3YAX280SMF3W	\$27,320	XD	1704	1.00	99.4	93.9	44.705	380-415/660-690//440-460	1;8;27
100	75	3000//3600	280S/M	E07536XP3YAX280SMF3W	\$30,248	XD	1854	1.00	126	94.3	44.705	380-415/660-690//440-460	1;8;27
		1500//1800	280S/M	E07518XP3YAX280SMF3W	\$23,986	XD	1852	1.00	130	94.4	44.705	380-415/660-690//440-460	1;8;27
		1000//1200	315S/M	E07512XP3YAX315SMF3W	\$31,133	XD	1599	1.00	137	94.2	51.654	380-415/660-690//440-460	1;8;27
125	90	3000//3600	280S/M	E09036XP3YAX280SMF3W	\$36,063	XD	1934	1.00	151	94.5	44.705	380-415/660-690//440-460	1;8;27
		1500//1800	280S/M	E09018XP3YAX280SMF3W	\$33,209	XD	2060	1.00	154	94.7	44.705	380-415/660-690//440-460	1;8;27
		1000//1200	315S/M	E09012XP3YAX315SMF3W	\$40,124	XD	2271	1.00	159	94.6	51.654	380-415/660-690//440-460	1;8;27
150	110	3000//3600	315S/M	E11036XP3YAX315SMF3W	\$42,763	XD	2205	1.00	183	94.9	50.472	380-415/660-690//440-460	1;8;27
		1500//1800	315S/M	E11018XP3YAX315SMF3W	\$37,846	XD	2426	1.00	192	95.0	51.654	380-415/660-690//440-460	1;8;27
		1000//1200	315S/M	E11012XP3YAX315SMF3W	\$48,658	XD	2569	1.00	194	94.9	51.654	380-415/660-690//440-460	1;8;27
175	132	3000//3600	315S/M	E13236XP3YAX315SMF3W	\$54,064	XD	2337	1.00	217	95.2	50.472	380-415/660-690//440-460	1;8;27
		1500//1800	315S/M	E13218XP3YAX315SMF3W	\$45,939	XD	2624	1.00	224	95.2	51.654	380-415/660-690//440-460	1;8;27
		1000//1200	315S/M	E13212XP3YAX315SMF3W	\$82,346	XD	3749	1.00	233	95.0	51.654	380-415/660-690//440-460	1;8;27
220	160	3000//3600	315S/M	E16036XP3YAX315SMF3W	\$67,306	XD	2567	1.00	262	95.3	50.472	380-415/660-690//440-460	1;8;27
		1500//1800	315S/M	E16018XP3YAX315SMF3W	\$50,129	XD	2668	1.00	271	95.4	51.654	380-415/660-690//440-460	1;8;27
		1000//1200	355M/L	E16012XP3YAX355MLF3W	\$90,159	XD	3969	1.00	290	96.0	61.358	380-415/660-690//440-460	1;8;27
270	200	3000//3600	355M/L	E20036XP3YAX355MLF3W	\$100,962	XD	4035	1.00	320	95.6	58.602	380-415/660-690//440-460	1;8;27
		1500//1800	355M/L	E20018XP3YAX355MLF3W	\$80,905	XD	4006	1.00	346	95.6	61.358	380-415/660-690//440-460	1;8;27
		1000//1200	355M/L	E20012XP3YAX355MLF3W	\$110,130	XD	4212	1.00	368	95.7	61.358	380-415/660-690//440-460	1;8;27
340	250	3000//3600	355M/L	E25036XP3YAX355MLF3W	\$111,375	XD	4348	1.00	392	96.4	58.602	380-415/660-690//440-460	1;8;27
		1500//1800	355M/L	E25018XP3YAX355MLF3W	\$94,903	XD	4236	1.00	432	95.8	61.358	380-415/660-690//440-460	1;8;27
		1000//1200	355M/L	E25012XP3YAX355MLF3W	\$133,308	XD	4818	1.00	461	95.5	61.358	380-415/660-690//440-460	1;8;27
430	315	1500//1800	355M/L	E31518XP3YAX355MLF3W	\$108,540	XD	4844	1.00	538	95.8	61.358	380-415/660-690//440-460	1;8;27

TEFC – Single-Phase – General Purpose – Foot Mount	A-243
TEFC – Single-Phase – Auger Drive – Footless	A-244
TEAO – Single-Phase – Poultry Fan – Foot Mount	A-244
TEAO – Single-Phase – Poultry Fan – Resilient Base	A-244
TEAO – Three-Phase – Grain Dryer/Vane Axial Fan	A-245
TEAO – Single-Phase – Aeration Fan	A-245
TEAO – Three-Phase – Aeration Fan	A-245
TEFC – Single-Phase – C-Face - Foot Mount - Irrigation Duty	A-246
TEFC – Three-Phase – C-Face - Foot Mount - Irrigation Duty	A-246
Irrigation Drive Motors	A-247
Jet End Booster Pump Motors	A-247

Please refer to back cover for description of “NOTES”

For detailed specifications, data sheets, drawings and performance curves visit <http://www.weg.net>

Data subject to change without notice.

Can't find what you are looking for? Call **1-800-ASK-4WEG** (275-4934)

Farm Duty Motors

WEG offers a complete line of TEFC Farm Duty motors providing high starting torque for the most demanding applications. Standard features such as v-rings provide versatility for indoor and outdoor applications. Overload protection available in all frames protects the motor from extreme overloads and offers maximum safety to operators.

General Purpose - TEFC

- Double shielded ball bearings
- Insulation class F with class B temperature rise
- Start and run capacitor on 1.5 HP and up
- High starting Torque
- Manual Reset Thermal Overload Protector

Auger Drive - TEFC

- Double shielded ball bearings
- Two bolts mounting NEMA 'N' flange
- Extended shaft (NDE) with wrench flat for manual jogging of auger
- Centrifugal start switch protected against auger drive overspeed
- Manual Reset Thermal Overload Protector

Poultry Fan - TEAO

- Double shielded ball bearings
- Insulation class B
- Automatic Reset Thermal Overload Protector



Rolled Steel



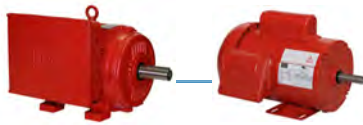
Cast Iron



Auger Drive



Poultry Fan



TEFC – Single-Phase – General Purpose – Foot Mount

HP	kW	RPM	Frame	Catalog Number	List Price	Mult. Symbol	Approx. Shipping Weight (lbs)	Service Factor	FL Amps @ High	FL. Eff (%)	“C” Dimension (in)	Voltage (V)	Notes
0.33	0.25	1800	W56	.3318ES1RFDW56-S	\$284	R1	22	1.15	3.00	61.0	11.500	115/230	4;9
0.5	0.37	1800	W56	.5018ES1RFDW56-S	\$308	R1	25	1.15	4.00	64.0	11.894	115/230	4;9
0.75	0.55	1800	56	.7518ES1RFD56-S	\$357	R1	34	1.15	5.30	68.5	13.114	115/230	4;9
1	0.75	1800	56	00118ES1RFD56-S	\$394	R1	40	1.15	6.80	71.0	13.902	115/230	4;9
		1800	143/5T	00118ES1RFD143T-S	\$400	R1	40	1.15	6.80	71.0	13.969	115/230	4;9
1.5	1.1	1800	56H	00158ES1RFD56H-S	\$502	R1	51	1.15	7.48	77.0	15.083	115/230	4;9
		1800	143/5T	00158ES1RFD145T-S	\$504	R1	50	1.15	7.48	77.0	15.152	115/230	4;9
2	1.5	1800	56H	00218ES1RFD56H-S	\$529	R1	56	1.15	10.0	78.5	15.870	115/230	4;9
		1800	143/5T	00218ES1RFD145T-S	\$578	R1	57	1.15	10.0	78.5	15.938	115/230	4;9
		1800	W182/4T	00218ES1RFD182T	\$790	R1	89	1.15	10.0	81.0	17.244	115/230	4;39
3	2.2	1800	W182/4T	00318ES1DFD184T	\$915	R1	93	1.15	14.5	81.0	17.244	230	4;39
5	3.7	1800	184T	00518ES1DFD184T	\$1,074	R1	119	1.15	21.4	79.0	17.050	230	4;39
		1800	W213/5T	00518ES1DFD215T	\$1,205	R1	136	1.15	21.4	79.0	20.984	230	4;39
		1800	W213/5TZ	00518ES1DFD215Z	\$1,205	R1	136	1.15	21.4	79.0	20.984	230	4;39
7.5	5.5	1800	215T	00718ES1DFD215T	\$1,463	R1	168	1.15	33.0	83.0	19.567	230	4;39
		1800	215TZ	00718ES1DFD215Z	\$1,463	R1	168	1.15	33.0	83.0	19.567	230	4;39
10	7.5	1800	215T	01018ES1DFD215T	\$1,692	R1	193	1.15	40.0	83.0	19.567	230	4;39
12.5	9.2	1800	215T	01218ES1E215T	\$1,776	W1	201	1.15	24.0	84.0	19.567	208-230/460	39

Please refer to back cover for description of “NOTES”

For detailed specifications, data sheets, drawings and performance curves visit <http://www.weg.net>

Data subject to change without notice.

Can't find what you are looking for? Call 1-800-ASK-4WEG (275-4934)



TEFC – Single-Phase – Auger Drive – Footless

HP	kW	RPM	Frame	Catalog Number	List Price	Mult. Symbol	Approx. Shipping Weight (lbs)	Service Factor	FL Amps @ High	FL. Eff (%)	“C” Dimension (in)	Voltage (V)	Notes
0.33	0.25	1800	56NZ	.3318ES1RAD56NZ	\$423	A1	28	1.00	3.0	60.0	10.200	115/230	4;9;20;40
0.50	0.37	1800	56NZ	.5018ES1RAD56NZ	\$475	A1	30	1.00	3.6	70.0	11.200	115/230	4;9;20;40
0.75	0.55	1800	56NZ	.7518ES1RAD56NZ	\$553	A1	34	1.00	4.6	74.0	11.700	115/230	4;9;20;40
1	0.75	1800	56N	00118ES1RAD56N	\$683	A1	35	1.00	7.0	74.0	12.480	115/230	4;9;20;40
1.5	1.1	1800	56N	00158ES1RAD56N	\$1,014	A1	40	1.00	7.7	80.0	12.870	115/230	4;9;20;40



TEAO – Single-Phase – Poultry Fan – Foot Mount

HP	kW	RPM	Frame	Catalog Number	List Price	Mult. Symbol	Approx. Shipping Weight (lbs)	Service Factor	FL Amps @ High	FL. Eff (%)	“C” Dimension (in)	Voltage (V)	Notes
0.33	0.25	1800	48	.3318ES1BPFC48	\$311	G1	23	1.25	3.00	64.0	10.748	115/208-230	3;9;16
0.5	0.37	1800	C56	.5018ES1BPFC56	\$336	G1	26	1.25	4.20	65.0	11.102	115/208-230	3;9;16
0.75	0.55	1800	B56	.7518ES1BPFB56	\$414	G1	31	1.25	5.60	70.0	11.102	115/208-230	3;9
1	0.75	1800	D56	00118ES1BPFD56	\$449	G1	41	1.15	7.00	72.0	12.283	115/208-230	3;9



TEAO – Single-Phase – Poultry Fan – Resilient Base

HP	kW	RPM	Frame	Catalog Number	List Price	Mult. Symbol	Approx. Shipping Weight (lbs)	Service Factor	FL Amps @ High	FL. Eff (%)	“C” Dimension (in)	Voltage (V)	Notes
0.33	0.25	1800	48	.3318ES1BRBPFC48	\$325	G1	27	1.25	3.00	64.0	11.339	115/208-230	3;9;13;16
0.5	0.37	1800	C56	.5018ES1BRBPFC56	\$350	G1	29	1.25	4.20	65.0	11.732	115/208-230	3;9;13;16
0.75	0.55	1800	B56	.7518ES1BRBPFB56	\$433	G1	35	1.25	5.60	70.0	11.811	115/208-230	3;9;13
1	0.75	1800	D56	00118ES1BRBPFD56	\$469	G1	42	1.15	7.00	72.0	12.992	115/208-230	3;9;13



TEAO – Three-Phase – Grain Dryer/Vane Axial Fan

HP	kW	RPM	Frame	Catalog Number	List Price	Mult. Symbol	Approx. Shipping Weight (lbs)	Service Factor	FL Amps @ High	FL Eff (%)	“C” Dimension (in)	Voltage (V)	Notes
1.5-3	1.1-2.2	3600	143/5TZ	00336AP3EGD145TZ-S	\$750	GD3	39	1.00	3.80	81.7	12.795	230/460	1;9;38
3-4.5	2.2-3.4	3600	143/5TZ	00456AP3EGD145TZ-S	\$795	GD3	45	1.00	5.50	83.9	13.582	230/460	1;9;38
		3600	182/4Z	00456AP3EGD182Z-S	\$827	GD3	59	1.00	5.60	85.5	14.601	230/460	1;9;38
5-7.5	3.7-5.5	3600	182/4TZ	00736AP3EGD184TZ-S	\$933	GD3	77	1.00	8.90	87.5	16.338	230/460	1;9;38
7.5-10	5.5-7.5	3600	182/4TZ	01036AP3EGD184TZ-S	\$1,123	GD3	91	1.00	11.8	88.3	17.913	230/460	1;9;38
10-15	7.5-11	3600	213/5TZ	01536AP3EGD215TZ-S	\$1,408	GD3	147	1.00	17.3	91.0	17.912	230/460	1;9;38



TEAO – Single-Phase – Aeration Fan

HP	kW	RPM	Frame	Catalog Number	List Price	Mult. Symbol	Approx. Shipping Weight (lbs)	Service Factor	FL Amps @ High	FL Eff (%)	“C” Dimension (in)	Voltage (V)	Notes
0.75	0.55	3600	56Z	.7536AS1RAF56Z-S	\$395	R1	27	1.15	4.00	66.0	11.201	115/230	3;9;38
1	0.75	3600	56Z	00136AS1RAF56Z-S	\$459	R1	31	1.15	5.10	70.0	11.594	115/230	3;9;38
1.5	1.1	3600	56Z	00156AS1RAF56Z-S	\$601	R1	36	1.15	6.60	75.0	12.382	115/230	3;9;38
		3600	143/5TZ	00156AS1RAF143TZ-S	\$643	R1	41	1.15	6.60	75.0	12.413	115/230	3;9;38
2	1.5	3600	143/5TZ	00236AS1RAF143TZ-S	\$783	R1	46	1.15	8.70	77.0	12.807	115/230	3;9;38
3	2.2	3600	143/5TZ	00336AS1RAF145TZ-S	\$818	R1	53	1.15	12.7	80.0	13.988	115/230	3;9;38



TEAO – Three-Phase – Aeration Fan

HP	kW	RPM	Frame	Catalog Number	List Price	Mult. Symbol	Approx. Shipping Weight (lbs)	Service Factor	FL Amps @ High	FL Eff (%)	“C” Dimension (in)	Voltage (V)	Notes
0.75	0.55	3600	56Z	.7536AS3EAF56Z-S	\$402	R1	23	1.25	1.13	72.0	10.380	208-230/460	9;38
1	0.75	3600	56Z	00136AS3EAF56Z-S	\$435	R1	26	1.25	1.51	74.0	10.380	208-230/460	9;38
1.5	1.1	3600	143/5TZ	00156AP3EAF143TZ-S	\$498	R1	33	1.15	1.90	82.5	11.624	230/460	9;38
2	1.5	3600	143/5TZ	00236AP3EAF143TZ-S	\$578	R1	38	1.15	2.55	82.5	12.018	230/460	9;38
3	2.2	3600	143/5TZ	00336AP3EAF145TZ-S	\$659	R1	45	1.15	3.55	85.5	12.805	230/460	9;38

Please refer to back cover for description of “NOTES”

For detailed specifications, data sheets, drawings and performance curves visit <http://www.weg.net>

Data subject to change without notice.

Can't find what you are looking for? Call 1-800-ASK-4WEG (275-4934)

A-245

IRRIGATION DUTY MOTORS

TEFC

High Starting Torque makes these motors ideal for a wide range of applications.

Feature that makes a difference:

- Constructed with Metal Fan

Standard Features:

- Shielded Ball bearings
- Class F insulation (impregnation resin and magnet wire are class H)
- Gasketed Conduit Box



TEFC – Single-Phase – C-Face – Foot Mount

HP	kW	RPM	Frame	Catalog Number	List Price	Mult. Symbol	Approx. Shipping Weight (lbs)	Service Factor	FL Amps @ High	FL. Eff (%)	“C” Dimension (in)	Voltage (V)	Notes
5	3.7	1800	184TC	00518ES1EID184TC	\$1,153	W1	121	1.15	10.7	79.0	17.050	208-230/460	11
7.5	5.5	1800	215TC	00718ES1EID215TC	\$1,471	W1	169	1.15	17.0	83.0	19.567	208-230/460	11
10	7.5	1800	215TC	01018ES1EID215TC	\$1,694	W1	193	1.15	19.5	84.0	19.567	208-230/460	11
12.5	9.2	1800	215TC	01218ES1EID215TC	\$1,888	W1	205	1.15	24.0	84.0	19.567	208-230/460	11

W22 - Cast Iron

Standard Features:

- 50/60 Hz rated (380V on nameplate - 400/415V available)
- Rated 50Hz at same horsepower 1.0 Service Factor
- Class F insulation (impregnation resin and magnet wire are class H)
- F1 mount (field convertible to F2)
- Regreasable ball bearings (frames 254T and up)
- Gasketed conduit box

Feature that makes a difference:

- Constructed with Metal Fan

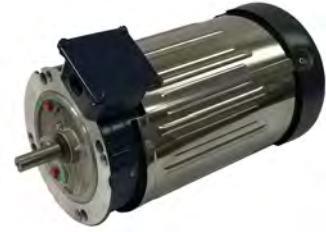
TEFC – Three-Phase – C-Face – Foot Mount

HP	kW	RPM	Frame	Catalog Number	List Price	Mult. Symbol	Approx. Shipping Weight (lbs)	Service Factor	FL Amps @ High	FL. Eff (%)	“C” Dimension (in)	Voltage (V)	Notes
5	3.7	1800	182/4TC	00518ET3EID184TC-W22	\$860	N1	110	1.25	6.45	89.5	15.860	230/460	11
7.5	5.5	1800	213/5TC	00718ET3EID213TC-W22	\$1,202	N1	180	1.25	9.18	91.7	19.517	230/460	11
10	7.5	1800	213/5TC	01018ET3EID215TC-W22	\$1,386	N1	194	1.25	12.4	91.7	19.517	230/460	11
15	11	1800	254/6TC	01518ET3EID254TC-W22	\$1,996	N1	353	1.25	18.0	92.4	24.945	230/460	11
20	15	1800	254/6TC	02018ET3EID256TC-W22	\$2,349	N1	403	1.25	24.1	93.0	24.945	230/460	11
25	18.5	1800	284/6TC	02518ET3EID284TC-W22	\$2,947	N1	451	1.25	29.5	93.6	27.929	230/460	11

IRRIGATION DUTY MOTORS

Irrigation Drive Motors

These drive motors for center pivot and linear travel irrigation towers have been used on OEM equipment for decades. Its unique design offers a stainless steel rain shield for extra protection against water and other elements typically present in an agricultural environment. These motors are rated for 50°C ambient, making it the best for this application. Also featuring double sealed ball bearings, an automatic reset thermal overload protector, corrosion resistant phosphate shaft coating and a gasketed conduit box.



HP	kW	RPM	Frame	Catalog Number	List Price	Mult. Symbol	Approx. Shipping Weight (lbs)	Service Factor	FL Amps @ High	FL. Eff (%)	"C" Dimension (in)	Voltage (V)	Notes
1	.75	1800	56C	1311731426	\$803	A1	31	1.00	1.40	85.5	14.580	460	3;9;15;42;45
1.5	1.1	1800	56C	1312200400	\$879	A1	38	1.00	2.00	86.5	14.580	460	3;9;15;42;45

Jet End Booster Pump Motor

The Jet End Booster Pump Motor is perfect for irrigation systems. The solution includes a stainless steel rain shield and canopy for vertical application, a fully gasketed conduit box, an automatic reset thermal overload protection, and stainless steel shaft end.



HP	kW	RPM	Frame	Catalog Number	List Price	Mult. Symbol	Approx. Shipping Weight (lbs)	Service Factor	FL Amps @ High	FL. Eff (%)	"C" Dimension (in)	Voltage (V)	Notes
2	1.5	3600	56J	1313171403	\$837	A1	43	1.50	2.80	85.5	14.220	460	3;9;15
2	1.5	3600	56CZ	1313007404	\$851	A1	43	1.50	2.80	85.5	14.490	460	3;9;15;46

Please refer to back cover for description of "NOTES"

For detailed specifications, data sheets, drawings and performance curves visit <http://www.weg.net>

Data subject to change without notice.

VECTOR DUTY MOTORS

TENV – Three-Phase – Foot Mount – Double C-Face A-249

OIL WELL PUMPING – ODP & TEFC

TEFC – Three-Phase – NEMA Design ‘D’ A-252

ODP - Three-Phase - NEMA Design ‘D’ A-252

COMPRESSOR DUTY MOTORS

ODP – Single-Phase – Foot Mount A-254

ODP – Three-Phase – Foot Mount – NEMA Premium® A-255

HYDRAULIC PUMP MOTORS

TEFC – Three-Phase – SAE-A – High Efficiency A-256

BRAKE MOTORS

TEFC – Foot Mount A-258

TEFC – C-Face – Foot Mount A-259

SAW ARBOR MOTORS

TEFC – Three-Phase – Right-Hand Thread A-260

TEFC – Three-Phase – Left-Hand Thread A-260

SOOT BLOWER MOTORS

TEFC – C-Face – Footless A-261

Definite Purpose Motors

VECTOR DUTY MOTORS

TENV - Three-Phase - Foot Mount - Double C-Face

Designed specifically for inverter operation for applications requiring 1000:1 constant torque turndown ratio

- Class F insulation (Impregnation Resin and Magnet wire are class H)
- NEMA design B
- F1 Mounted (F2 convertible)
- Stainless Steel Nameplate - Laser etched with high contrast background
- Gasketed conduit box



Features that make a difference:

- Constant torque operation from 0 to base speed (1000:1) on PWM Vector Drive
- Constant Horsepower operation up to 150% base speed
- Ready for encoder mount
- With thermostats (1 per phase)
- Special nameplate data for easy drive set-up
- Ready for C-face brake, limited to 10 lb-ft braking torque

ADDITIONAL TECHNICAL DATA
CONTACT WEG OR VISIT WWW.WEG.NET

Inverter Rated:
1000 : 1 for constant torque

TENV – Three-Phase – Foot Mount – Double C-Face

HP	kW	RPM	Frame	Catalog Number	List Price	Mult. Symbol	Approx. Shipping Weight (lbs)	Service Factor	FL Amps @ High	FL Eff (%)	“C” Dimension (in)	Voltage (V)	Notes
1	0.75	1800	143/5TC	00118NT3FVD143TC-W22	\$697	D1	51	1.00	1.41	85.5	14.678	230/460	17;19
1.5	1.1	1800	143/5TC	00158NT3FVD145TC-W22	\$705	D1	60	1.00	2.00	86.5	14.678	230/460	17;19
2	1.5	1800	143/5TC	00218NT3FVD145TC-W22	\$928	D1	62	1.00	2.65	86.5	14.678	230/460	17;19
3	2.2	1800	182/4TC	00318NT3FVD182TC-W22	\$1,150	D1	107	1.00	3.91	89.5	16.569	230/460	17;19
5	3.7	1800	182/4TC	00518NT3FVD184TC-W22	\$1,373	D1	116	1.00	7.11	89.5	16.569	230/460	17;19;37
7.5	5.5	1800	213/5TC	00718NT3FVD213TC-W22	\$1,803	D1	173	1.00	9.07	91.7	20.041	230/460	17;19
10	7.5	1800	213/5TC	01018NT3FVD215TC-W22	\$2,157	D1	207	1.00	13.3	91.7	20.041	230/460	17;19;37
15	11	1800	254/6TC	01518NT3FVD254TC-W22	\$2,567	D1	365	1.00	19.4	92.4	25.569	230/460	17;19
20	15	1800	254/6TC	02018NT3FVD256TC-W22	\$3,747	D1	398	1.00	26.6	93.0	25.569	230/460	17;19;37



Please refer to back cover for description of “NOTES”

For detailed specifications, data sheets, drawings and performance curves visit <http://www.weg.net>

Data subject to change without notice.

Can't find what you are looking for? Call 1-800-ASK-4WEG (275-4934)

A-249

System Drive VFD AC Motors

1HP – 1500HP TEFC

The WEG Systems Drive VFD AC motor raises the bar for customers who demand the best. Benefits such as very high overload and expanded speed range capabilities increase the value of the product for many variable speed applications.

The designs are based on the W22 and H-Line Severe Duty motor platforms for outstanding reliability.

What makes this a Systems Drive Motor

- Constant torque capability to zero speed in standard NEMA frame size TEFC motor
- High torque designs for wide constant HP capability
- High short term overload capacities can exceed 200%
- 3 NC thermostats on winding
- Drive end shaft grounding available (standard 447T and larger)
- Insulated opposite drive end bearings available (standard 447T and larger)
- Very low noise
- Class I and Class II Division 2 up to 20:1CT to 449T frame (certification on larger ratings upon request)
- VFD rated insulation system exceeds requirements of NEMA MG1 Part 31 standard
- Custom designs for non-standard base speeds/frequencies (i.e. 600RPM base speed with 6-pole design) to replace many DC motor applications without gearing change



What makes this a WEG Motor

- Rugged FC200 high strength cast iron construction
- Paint system exceeds 200 hour salt spray test per ASTM B117
- PPLS – Positive Pressure Lubrication System
- All Silicon C4 coated lamination steel for reliability and reparability* – withstands burnout temperatures of 500C(935F) without loss of insulating properties. This allows the motor to be rewound back to the original efficiency
- Class F insulation system with mostly Class H components for long life
- Stainless steel nameplate

Features:

- 1000:1 Constant Torque
- Powerful
- Reliable
- Flexible

Please contact your authorized WEG distributor or go to www.weg.net for further information or additional specifications. **1-800-ASK-4WEG**

Please refer to back cover for description of "NOTES"

For detailed specifications, data sheets, drawings and performance curves visit <http://www.weg.net>

Data subject to change without notice.

Three-Phase General Purpose Motors

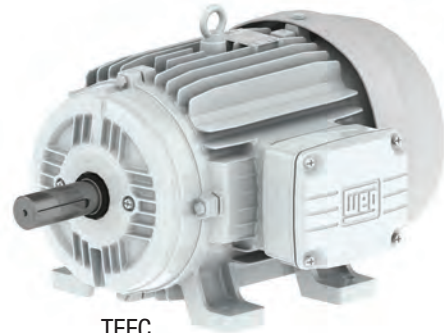
OIL WELL PUMPING

TEFC & ODP

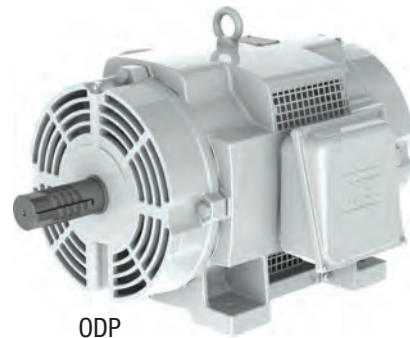
These special motors have the high slip and high torque that oil well beam pumping units demand.

Standard Features:

- Regreasable Bearings (Frames 254T and up)
- NEMA design D (5-8% slip)
- Class F insulation (Impregnation Resin and magnet Wire are class H)
- F2 Mounted (Cast Iron frames are F1 convertible).
- Stainless Steel Nameplate - Laser etched with High contrast background (Cast Iron Frames only)
- Gasketed conduit box (TEFC only)
- Class I, Div. 2, Groups A, B, C & D – T3, Class II, Div 2, Groups F & G – T3C (TEFC Frames only)



TEFC



ODP

Features that make a difference:

- Rodent screen (ODP Frames 254T and up)
- High starting and breakdown torque (NEMA Design D)
- Roller bearings for frames 404T and up

ADDITIONAL TECHNICAL DATA

CONTACT WEG OR VISIT WWW.WEG.NET



Definite Purpose Motors



OIL WELL PUMPING

TEFC – Three-Phase – NEMA Design ‘D’

HP	kW	RPM	Frame	Catalog Number	List Price	Mult. Symbol	Approx. Shipping Weight (lbs)	Service Factor	FL Amps @ High	FL Eff (%)	“C” Dimension (in)	Voltage (V)	Notes
3	2.2	1200	213/5T	00312ES3E0W215T-W22	\$1,027	P1E	147	1.15	4.98	74.0	19.517	208-230/460	7
		1200	213/5T	00512ES3E0W215T-W22	\$1,170	P1E	185	1.15	7.73	77.0	19.517	208-230/460	7
5	3.7	900	254/6T	00509ES3E0W256T-W22	\$2,242	P1E	301	1.15	7.27	77.0	24.945	208-230/460	7
		1200	254/6T	00712ES3E0W254T-W22	\$1,688	P1E	289	1.15	9.40	82.5	24.945	208-230/460	7
10	7.5	1200	254/6T	01012ES3E0W256T-W22	\$2,070	P1E	346	1.15	12.7	82.5	24.945	208-230/460	7
		900	284/6T	01009ES3E0W286T-W22	\$3,437	P1E	400	1.15	13.7	82.5	27.929	208-230/460	7
15	11	1200	284/6T	01512ES3E0W284T-W22	\$2,679	P1E	447	1.15	18.3	85.5	27.929	208-230/460	7
		900	324/6T	01509ES3E0W324T-W22	\$4,293	P1E	577	1.15	21.8	85.5	31.116	208-230/460	7
20	15	1200	284/6T	02012ES3E0W286T-W22	\$3,162	P1E	488	1.15	24.2	86.5	27.929	208-230/460	7
		900	324/6T	02009ES3E0W326T-W22	\$4,872	P1E	629	1.15	29.8	85.5	31.116	208-230/460	7
25	18.5	1200	324/6T	02512ES3E0W324T-W22	\$3,887	P1E	598	1.15	31.2	88.5	31.116	208-230/460	7
30	22	1200	324/6T	03012ES3E0W326T-W22	\$4,515	P1E	632	1.15	37.1	88.5	31.116	208-230/460	7
40	30	1200	364/5T	04012ES3E0W365T-W22	\$6,290	P1E	1002	1.15	48.9	87.5	34.251	208-230/460	7
50	37	1200	404/5T	05012ES3E0W404T-W22	\$8,172	P1E	1299	1.15	59.2	88.1	39.730	208-230/460	7;14
60	45	1200	404/5T	06012ES3E0W405T-W22	\$9,414	P1E	1252	1.15	71.3	89.0	39.730	208-230/460	7;14
75	55	1200	444/5T	07512ES3E0W444T-W22	\$14,976	P1E	1856	1.15	91.8	89.5	44.950	208-230/460	7;14
100	75	1200	444/5T	10012ES3E0W445T-W22	\$18,074	P1E	2222	1.15	121	90.2	44.950	208-230/460	7;14



ODP – Three-Phase – NEMA Design ‘D’

HP	kW	RPM	Frame	Catalog Number	List Price	Mult. Symbol	Approx. Shipping Weight (lbs)	Service Factor	FL Amps @ High	FL Eff (%)	“C” Dimension (in)	Voltage (V)	Notes
1.5	1.1	1200	184T	001520S3E0W184T	\$777	P1E	71	1.00	2.66	71.0	14.291	208-230/460	1;7;9
2	1.5	1200	184T	002120S3E0W184T	\$793	P1E	72	1.00	3.36	81.3	14.291	208-230/460	1;7;9
3	2.2	1200	213T	003120S3E0W213T	\$866	P1E	109	1.00	4.69	80.7	17.165	208-230/460	1;7;9
5	3.7	1200	215T	005120S3E0W215T	\$989	P1E	128	1.00	7.15	85.5	17.165	208-230/460	1;7;9
7.5	5.5	1200	254T	007120S3E0W254T	\$1,434	P1E	185	1.00	9.63	81.5	20.669	208-230/460	1;7
10	7.5	1200	256T	010120S3E0W256T	\$1,796	P1E	297	1.00	13.5	83.0	22.401	208-230/460	1;7
15	11	1200	284T	015120S3E0W284T	\$2,441	P1E	355	1.00	18.1	86.5	23.386	208-230/460	1;7
25	18.5	1200	324T	025120S3E0W324T	\$3,247	P1E	503	1.00	33.6	86.5	26.181	208-230/460	1;7
30	22	1200	326T	030120S3E0W326T	\$3,848	P1E	550	1.00	39.0	88.5	27.667	208-230/460	1;7
40	30	1200	364/5T	040120S3E0W365T	\$5,277	P1E	860	1.00	51.3	88.5	29.764	208-230/460	1;7
50	37	1200	404/5T	050120S3E0W405T	\$6,834	P1E	1019	1.00	61.7	88.5	34.133	208-230/460	1;7;14
60	45	1200	404/5T	060120S3E0W405T	\$7,495	P1E	1039	1.00	75.1	88.5	34.133	208-230/460	1;7;14
75	55	1200	444/5T	075120S3E0W445T	\$12,308	P1E	1458	1.00	96.4	89.5	39.803	208-230/460	1;7;14
100	75	1200	444/5T	100120S3E0W445T	\$13,078	P1E	1691	1.00	127	90.2	39.803	208-230/460	1;7;14

Definite Purpose Motors

COMPRESSOR DUTY MOTORS

ODP - Foot Mount

These high quality motors are designed to meet the high torque requirements of air compressor loads. Special electrical and mechanical design guarantees reliable service and longer motor life.

Single-Phase

- Class B insulation
- Start Capacitor
- Ball bearings
- Manual Reset Thermal Overload Protection
- High starting torque
- Rolled Steel frames have the base seam-welded to the frame for heavy duty use

Three-Phase

- Class F insulation (Impregnation Resin and Magnet wire are class H)
- Class B Rise at 1.15 Service Factor
- F1 Mounted (Cast Iron Frame motors are F2 convertible)
- Stainless Steel Nameplate - Laser etched with high contrast background (Cast Iron Frames only)
- Cast Iron Frames: Regreasable ball bearings
- Rolled Steel Frames: Permanently Lubricated ZZ ball bearings



Single Phase



Three Phase

ADDITIONAL TECHNICAL DATA

ELECTRICAL DATA: B-9; B-16

MECHANICAL DATA: B-74; B-75



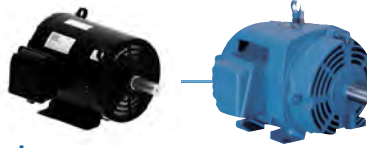
Definite Purpose Motors



COMPRESSOR DUTY MOTORS

ODP – Single-Phase – Foot Mount

HP	kW	RPM	Frame	Catalog Number	List Price	Mult. Symbol	Approx. Shipping Weight (lbs)	Service Factor	FL Amps @ High	FL Eff (%)	“C” Dimension (in)	Voltage (V)	Notes
0.5	0.37	3600	W56	.50360S1BCDW56-S	\$224	C1S	28	1.00	3.10	63.0	9.866	115/208-230	1;4;6;9
0.75	0.55	3600	W56	.75360S1BCDW56-S	\$237	C1S	22	1.00	4.30	68.5	10.260	115/208-230	1;4;6;9
1	0.75	3600	56	001360S1BCD56-S	\$278	C1S	36	1.00	6.60	67.0	11.102	115/208-230	1;4;6;9
1.5	1.1	3600	56	001560S1BCD56-S	\$311	C1S	40	1.00	8.70	68.0	11.496	115/208-230	1;4;6;9
2	1.5	3600	56H	002360S1BCD56-S	\$372	C1S	34	1.00	8.90	70.0	11.890	115/208-230	1;4;6;9
3	2.2	3600	56H	003360S1CCD56-S	\$432	C1S	41	1.00	12.7	80.0	12.677	208-230	1;4;6;9
		1800	184T	003180S1CCDOL184T	\$687	C1	99	1.15	17.5	75.0	14.875	208-230	4;6
5	3.7	3600	56H	005360S1DCD56H-S	\$458	C1S	53	1.00	20.3	80.0	13.465	230	1;4;6;9
		3600	56HZ	005360S1DCD56HZ-S	\$481	C1S	53	1.00	20.3	80.0	13.533	230	1;4;5;6;9
		3600	W182/4Y	005360S1CCDW184Y-S	\$526	C1S	56	1.00	20.7	80.0	15.152	208-230	1;4;5;6;9
		1800	184T	005180S1CCDOL184T	\$721	C1	101	1.15	21.5	82.5	14.875	208-230	4;6
		1800	184T	005180S1CCD184T	\$682	C1	102	1.25	21.5	82.5	14.875	208-230	6;10
7.5	5.5	1800	215T	007180S1CCD215T	\$961	C1	129	1.15	31.3	84.5	19.660	208-230	5;6;9;28
10	7.5	1800	215T	010180S1CCD215T	\$1,468	C1	162	1.15	43.0	85.0	21.235	208-230	5;6;9;28



Definite Purpose Motors

COMPRESSOR DUTY MOTORS

ODP – Three-Phase – Foot Mount

HP	kW	RPM	Frame	Catalog Number	List Price	Mult. Symbol	Approx. Shipping Weight (lbs)	Service Factor	FL Amps @ High	FL. Eff (%)	“C” Dimension (in)	Voltage (V)	Notes
1	0.75	1800	143/5T	001180T3E143T-S	\$390	N1S	38	1.15	1.50	85.5	11.181	230/460	9
		1800	143/5T	001180T3ECD143T-S	\$398	N1S	38	1.15	1.50	85.5	11.181	230/460	6;9
		1800	143/5T	001180T3P143T-S	\$390	N1S	38	1.15	3.50	85.5	11.181	200	9
1.5	1.1	3600	143/5T	001560T3E143T-S	\$442	N1S	33	1.15	1.90	84.0	11.181	230/460	9
		1800	143/5T	001580T3E145T-S	\$449	N1S	45	1.15	2.10	86.5	12.362	230/460	9
		1800	143/5T	001580T3ECD145T-S	\$458	N1S	45	1.15	2.10	86.5	12.362	230/460	6;9
2	1.5	1800	143/5T	001580T3P145T-S	\$449	N1S	45	1.15	4.80	86.5	12.362	200	9
		3600	143/5T	002360T3E145T-S	\$487	N1S	40	1.15	2.40	85.5	11.969	230/460	9
		1800	143/5T	002180T3E145T-S	\$492	N1S	43	1.15	2.70	86.5	12.362	230/460	9
3	2.2	1800	143/5T	002180T3ECD145T-S	\$502	N1S	43	1.15	2.70	86.5	12.362	230/460	6;9
		1800	143/5T	002180T3P145T-S	\$492	N1S	43	1.15	6.20	86.5	12.362	200	9
		3600	143/5T	003360T3E145T-S	\$545	N1S	43	1.15	3.60	85.5	12.362	230/460	9
5	3.7	1800	182/4T	003180T3E182T-S	\$524	N1S	73	1.15	3.90	89.5	15.157	230/460	9
		1800	182/4T	003180T3P182T-S	\$524	N1S	73	1.15	8.90	89.5	15.157	200	9
		3600	56H	005360S3ECD56-S	\$412	C1S	41	1.00	6.40	74.8	12.675	208-230/460	1;6;9;29
7.5	5.5	3600	182/4T	005360T3E182T-S	\$651	N1S	61	1.15	6.10	86.5	14.764	230/460	9
		1800	182/4T	005180T3E184T-S	\$630	N1S	88	1.15	6.30	89.5	16.339	230/460	9
		1800	182/4T	005180T3P184T-S	\$630	N1S	88	1.15	14.6	89.5	16.339	200	9
10	7.5	3600	182/4T	007360T3E184T-S	\$920	N1S	76	1.15	8.70	88.5	15.157	230/460	9
		1800	213/5T	007180T3E213T-S	\$910	N1S	125	1.15	9.30	91.0	16.575	230/460	9
		1800	213/5T	007180T3P213T-S	\$910	N1S	125	1.15	21.3	91.0	16.575	200	9
15	11	3600	213/5T	010360T3E213T-S	\$1,081	N1S	126	1.15	12.0	89.5	16.969	230/460	9
		1800	213/5T	010180T3E215T-S	\$1,102	N1S	130	1.15	12.4	91.7	16.575	230/460	9
		1800	213/5T	010180T3P215T-S	\$1,102	N1S	130	1.15	28.5	91.7	16.575	200	9
20	15	1800	254/6T	015180T3E254T-S	\$1,477	N1S	211	1.15	18.6	93.0	20.472	230/460	9
		1800	254/6T	015180T3H254T-S	\$1,477	N1S	211	1.15	14.9	93.0	20.472	575	9
		1800	254/6T	015180T3P254T-S	\$1,477	N1S	211	1.15	42.8	93.0	20.472	200	9
		1800	254T	015180T3ECD254T	\$1,507	N1B	265	1.15	18.4	91.0	20.669	230/460	6
		1800	254T	015180T3HCD254T	\$1,507	N1B	264	1.15	14.9	91.0	20.669	575	6
		1800	254T	015180T3PCD254T	\$1,507	N1B	264	1.15	42.8	91.0	20.669	200	6
25	18.5	3600	254/6T	020360T3E254T-S	\$1,760	N1S	187	1.15	23.8	91.0	20.472	230/460	9
		3600	254T	020360T3ECD254T	\$1,795	N1B	222	1.15	24.6	91.0	20.669	230/460	6
		1800	254/6T	020180T3E256T-S	\$1,832	N1S	235	1.15	25.0	93.0	20.472	230/460	9
		1800	256T	020180T3ECD256T	\$1,869	N1B	301	1.15	25.0	93.0	22.401	230/460	6
25	18.5	3600	254/6T	025360T3E256T-S	\$2,139	N1S	202	1.15	29.1	91.7	20.472	230/460	9
		3600	254T	025360T3ECD256T	\$2,182	N1B	259	1.15	29.8	91.7	22.401	230/460	6

Please refer to back cover for description of “NOTES”

For detailed specifications, data sheets, drawings and performance curves visit <http://www.weg.net>

Data subject to change without notice.

Can't find what you are looking for? Call 1-800-ASK-4WEG (275-4934)

A-255

HYDRAULIC PUMP MOTORS

TEFC – Three-Phase – SAE-A – High Efficiency

Heavy duty cast iron enclosure designed for intermittent duty. Typical applications are hydraulic pumps for trash compactors, car lifts and others.

- Class F insulation (Impregnation Resin and magnet Wire are class H)
- F3 mount
- 8-hole SAE-A flange for different angle pump mounting
- Shaft with 3/4” bore (female shaft)



Features that make a difference

- NPT Threaded terminal box
- Cast Iron frame
- Totally Enclosed IP55 rated

TEFC – Three-Phase – SAE-A – High Efficiency

HP	kW	RPM	Frame	Catalog Number	List Price	Mult. Symbol	Approx. Shipping Weight (lbs)	Service Factor	FL Amps @ High	FL Eff (%)	“C” Dimension (in)	Voltage (V)	Notes
5	3.7	1800	184TYZ	00518EP3EHP184TYZ7F3	\$819	W1	99	1.15	7.37	87.5	12.800	208-230/460	8;30;37
7.5	5.5	1800	213TYZ	00718EP3EHP213TYZ7F3	\$1,054	W1	172	1.15	10.9	89.5	14.816	208-230/460	8;30;37
10	7.5	1800	215TYZ	01018EP3EHP215TYZ7F3	\$1,244	W1	189	1.15	15.7	89.5	16.312	208-230/460	8;30;37

BRAKE MOTORS

TEFC - Three-Phase - NEMA Premium®

WEG W22 brake motors consist of an induction motor coupled to a disc brake. Brake is of sturdy construction with few moving parts which guarantees long durability and minimum maintenance.



Standard Features:

- Class F insulation (Impregnation Resin and Magnet wire are class H)
- F1 Mounted
- Stainless Steel Nameplate - Laser etched with high contrast background
- Regreasable ball bearings (Frames 254T and up)
- 60HZ - 50HZ available with custom build

Note 1: If separate power supply to the Brake is required, (Such as on Motors operating with Variable Frequency Drive); 230V to the Brake module is mandatory, unless motor model contains “Q” (ex. 00118EP3EBMQ143T). For “Q” models, the input voltage to the Brake module is 460V AC. Available as stock mod.

Features that make a difference:

- 1.25 Service Factor
- NPT Threaded terminal box
- Armature type brake
- Manual Release

Inverter Rated: ¹
1000:1 for variable torque
20:1 for constant torque

Brake Torques

Frame	N.m	lb.ft	Optional lb.ft
143/5T	16	12	17
182/4T	60	44	N/A
213/5T	125	59	92
254/6T	235	111	173
284/6T	400	192	254



Please refer to back cover for description of “NOTES”

For detailed specifications, data sheets, drawings and performance curves visit <http://www.weg.net>

Data subject to change without notice.

Definite Purpose Motors



BRAKE MOTORS

TEFC – Foot Mount

HP	KW	RPM	Frame	Catalog Number	List Price	Mult. Symbol	Approx. Shipping Weight (lbs)	Service Factor	FL Amps @ High	FL Eff (%)	"C" Dimension (in)	Voltage (V)	Notes
1	0.75	1800	143/5T	00118ET3EBM143T-W22	\$1,494	B1	59	1.25	1.47	85.5	16.231	230/460	25
		1800	143/5T	00118ET3EBMQ143T-W22	\$1,654	B1	59	1.25	1.47	85.5	16.231	230/460	24;26
		1800	143/5T	00118ET3HBM143T-W22	\$1,494	B1	62	1.25	1.18	85.5	16.231	575	25
		1200	143/5T	00112ET3EBM145T-W22	\$1,587	B1	66	1.25	1.73	82.5	16.231	230/460	25
		900	182/4T	00109ET3EBM182T-W22	\$2,594	B1	126	1.25	2.30	78.5	19.314	230/460	25
1.5	1.1	3600	143/5T	00156ET3EBM143T-W22	\$1,501	B1	73	1.25	1.96	84.0	16.231	230/460	25
		1800	143/5T	00158ET3EBM145T-W22	\$1,569	B1	65	1.25	2.02	86.5	16.231	230/460	25
		1800	143/5T	00158ET3EBMQ145T-W22	\$1,729	B1	70	1.25	2.02	86.5	16.231	230/460	24;26
		1200	182/4T	00152ET3EBM182T-W22	\$2,264	B1	117	1.25	2.54	87.5	19.314	230/460	25
		900	182/4T	00159ET3EBM184T-W22	\$2,703	B1	156	1.25	2.70	82.5	19.314	230/460	25
2	1.5	3600	143/5T	00236ET3EBM145T-W22	\$1,501	B1	62	1.25	2.56	85.5	16.231	230/460	25
		1800	143/5T	00218ET3EBM145T-W22	\$1,594	B1	66	1.25	2.76	86.5	16.231	230/460	25
		1800	143/5T	00218ET3EBMQ145T-W22	\$1,754	B1	72	1.25	2.76	86.5	16.231	230/460	24;26
		1200	182/4T	00212ET3EBM184T-W22	\$2,369	B1	122	1.25	3.23	88.5	19.314	230/460	25
		900	213/5T	00209ET3EBM213T-W22	\$3,345	B1	217	1.25	3.39	85.5	23.188	230/460	25
3	2.2	3600	182/4T	00336ET3EBM182T-W22	\$2,290	B1	140	1.25	3.63	86.5	19.314	230/460	25
		1800	182/4T	00318ET3EBM182T-W22	\$2,052	B1	115	1.25	3.91	89.5	19.314	230/460	25
		1800	182/4T	00318ET3EBMQ182T-W22	\$2,212	B1	130	1.25	3.91	89.5	19.314	230/460	24;26
		1200	213/5T	00312ET3EBM213T-W22	\$3,220	B1	196	1.25	4.41	89.5	23.188	230/460	25
		900	213/5T	00309ET3EBM215T-W22	\$3,740	B1	259	1.25	4.55	85.5	23.188	230/460	25
5	3.7	3600	182/4T	00536ET3EBM184T-W22	\$2,343	B1	126	1.25	5.90	88.5	19.314	230/460	25
		1800	182/4T	00518ET3EBM184T-W22	\$2,291	B1	124	1.25	6.45	89.5	19.314	230/460	25
		1800	182/4T	00518ET3EBMQ184T-W22	\$2,451	B1	136	1.25	6.45	89.5	19.314	230/460	24;26
		1800	182/4T	00518ET3HBM184T-W22	\$2,291	B1	124	1.25	5.16	89.5	19.314	575	25
		1200	213/5T	00512ET3EBM215T-W22	\$3,406	B1	213	1.25	6.83	89.5	23.188	230/460	25
		900	254/6T	00509ET3EBM254T-W22	\$5,641	B1	358	1.25	7.58	87.5	29.839	230/460	25
		900	254/6T	00509ET3EBMQ254T-W22	\$5,801	B1	354	1.25	7.58	87.5	29.839	230/460	24;26
7.5	5.5	3600	213/5T	00736ET3EBM213T-W22	\$3,002	B1	200	1.25	8.76	89.5	23.188	230/460	25
		1800	213/5T	00718ET3EBM213T-W22	\$2,903	B1	215	1.25	9.18	91.7	23.188	230/460	25
		1200	254/6T	00712ET3EBM254T-W22	\$5,172	B1	377	1.25	9.48	91.0	29.839	230/460	25
		900	254/6T	00709ET3EBM256T-W22	\$6,415	B1	377	1.25	11.1	87.5	29.839	230/460	25
10	7.5	3600	213/5T	01036ET3EBM215T-W22	\$3,492	B1	238	1.25	11.6	90.2	23.188	230/460	25
		1800	213/5T	01018ET3EBM215T-W22	\$3,474	B1	221	1.25	12.4	91.7	23.188	230/460	25
		1800	213/5T	01018ET3HBM215T-W22	\$3,474	B1	200	1.25	9.92	91.7	23.188	575	25
		1200	254/6T	01012ET3EBM256T-W22	\$5,759	B1	367	1.25	12.9	91.0	29.839	230/460	25
15	11	3600	254/6T	01536ET3EBM254T-W22	\$4,745	B1	384	1.25	17.2	91.0	29.839	230/460	25
		1800	254/6T	01518ET3EBM254T-W22	\$5,205	B1	407	1.25	18.0	92.4	29.839	230/460	25
		1800	254/6T	01518ET3EBMQ254T-W22	\$5,365	B1	407	1.25	18.0	92.4	29.839	230/460	24;26
		1800	254/6T	01518ET3HBM254T-W22	\$5,205	B1	369	1.25	14.4	92.4	29.839	575	25
20	15	3600	254/6T	02036ET3EBM256T-W22	\$5,768	B1	424	1.25	23.2	91.0	29.839	230/460	25
		1800	254/6T	02018ET3EBM256T-W22	\$5,771	B1	456	1.25	24.1	93.0	29.839	230/460	25
25	18.5	1800	284/6T	02518ET3EBM284T-W22	\$6,796	B1	520	1.25	29.5	93.6	32.976	230/460	25
30	22	1800	284/6T	03018ET3EBM286T-W22	\$7,276	B1	558	1.25	35.1	93.6	32.976	230/460	25

Please refer to back cover for description of "NOTES"

For detailed specifications, data sheets, drawings and performance curves visit <http://www.weg.net>

Data subject to change without notice.



TEFC – C-Face – Foot Mount

HP	kW	RPM	Frame	Catalog Number	List Price	Mult. Symbol	Approx. Shipping Weight (lbs)	Service Factor	FL Amps @ High	FL. Eff (%)	“C” Dimension (in)	Voltage (V)	Notes
1	0.75	1800	143/5TC	00118ET3EBMQ143TC-W2	\$1,682	B1	61	1.25	1.47	85.5	16.231	230/460	24;26
1.5	1.1	1800	143/5TC	00158ET3EBMQ145TC-W2	\$1,757	B1	70	1.25	2.02	86.5	16.231	230/460	24;26
2	1.5	1800	143/5TC	00218ET3EBMQ145TC-W2	\$1,782	B1	72	1.25	2.76	86.5	16.231	230/460	24;26
3	2.2	1800	182/4TC	00318ET3EBMQ182TC-W2	\$2,250	B1	119	1.25	3.91	89.5	19.314	230/460	24;26
5	3.7	1800	182/4TC	00518ET3EBMQ184TC-W2	\$2,489	B1	136	1.25	6.45	89.5	19.314	230/460	24;26

Please refer to back cover for description of “NOTES”

For detailed specifications, data sheets, drawings and performance curves visit [http:// www.weg.net](http://www.weg.net)

Data subject to change without notice.

Can't find what you are looking for? Call **1-800-ASK-4WEG** (275-4934)

A-259

SAW ARBOR MOTORS

TEFC

Single and double shaft end available. These intermittent duty motors are suitable for a wide range of applications such as circular saws, pendulum saws, polishing machines, among others.



Features that make a difference:

- Reinforced cast iron frame
- Low profile

Standard Features:

- Class F insulation (Impregnation Resin and magnet Wire are class H)
- Ball bearings
- PG threaded terminal boxes

TEFC – Three-Phase – Right-Hand Thread

HP	kW	RPM	Frame	Catalog Number	List Price	Mult. Symbol	Approx. Shipping Weight (lbs)	Service Factor	FL Amps @ High	FL Eff (%)	“C” Dimension (in)	Voltage (V)	Notes
3	2.2	3600	80S	00336ES3ESA80SR	\$969	01	93	1.00	4.29	80.5	18.543	208-230/460	39
5	3.7	3600	80M	00536ES3ESA80MR	\$1,160	01	109	1.00	6.65	85.0	20.512	208-230/460	39
		1800	90L	00518ES3ESA90LR	\$1,701	01	163	1.00	7.03	84.5	26.476	208-230/460	39
7.5	5.5	3600	80L	00736ES3ESA80LR	\$1,642	01	132	1.00	9.76	87.4	22.480	208-230/460	39
		3600	80L	00736ES3HSA80LR	\$1,642	01	133	1.00	7.81	87.4	22.480	575	39
		1800	90L	00718ES3ESA90LR	\$1,855	01	179	1.00	10.1	85.3	26.476	208-230/460	39
10	7.5	3600	90L	01036ES3ESA90LR	\$1,953	01	178	1.00	12.3	85.0	26.476	208-230/460	39
		3600	90L	01036ES3HSA90LR	\$1,953	01	179	1.00	9.84	85.0	26.476	575	39
		1800	90L	01018ES3ESA90LR	\$2,176	01	192	1.00	14.7	85.5	26.476	208-230/460	39

TEFC – Three-Phase – Left-Hand Thread

HP	kW	RPM	Frame	Catalog Number	List Price	Mult. Symbol	Approx. Shipping Weight (lbs)	Service Factor	FL Amps @ High	FL Eff (%)	“C” Dimension (in)	Voltage (V)	Notes
3	2.2	3600	80S	00336ES3ESA80SL	\$969	01	93	1.00	4.29	80.5	18.543	208-230/460	39
5	3.7	3600	80M	00536ES3ESA80ML	\$1,160	01	109	1.00	6.65	85.0	20.512	208-230/460	39
		1800	90L	00518ES3ESA90LL	\$1,701	01	163	1.00	7.03	84.5	26.476	208-230/460	39
7.5	5.5	3600	80L	00736ES3ESA80LL	\$1,642	01	132	1.00	9.76	87.4	22.480	208-230/460	39
		3600	80L	00736ES3HSA80LL	\$1,642	01	134	1.00	7.81	87.4	22.480	575	39
		1800	90L	00718ES3ESA90LL	\$1,855	01	177	1.00	10.1	85.3	26.476	208-230/460	39
10	7.5	3600	90L	01036ES3ESA90LL	\$1,953	01	178	1.00	12.3	85.0	26.476	208-230/460	39
		3600	90L	01036ES3HSA90LL	\$1,953	01	180	1.00	9.84	85.0	26.476	575	39
		1800	90L	01018ES3ESA90LL	\$2,176	01	192	1.00	14.7	85.5	26.476	208-230/460	39

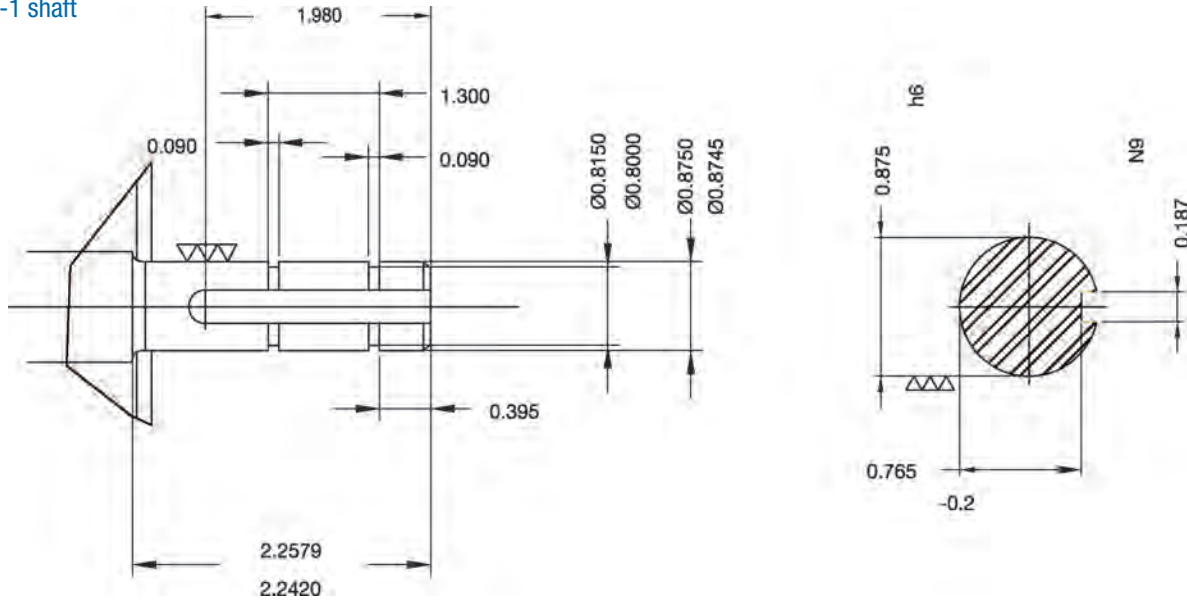


SOOT BLOWER MOTORS

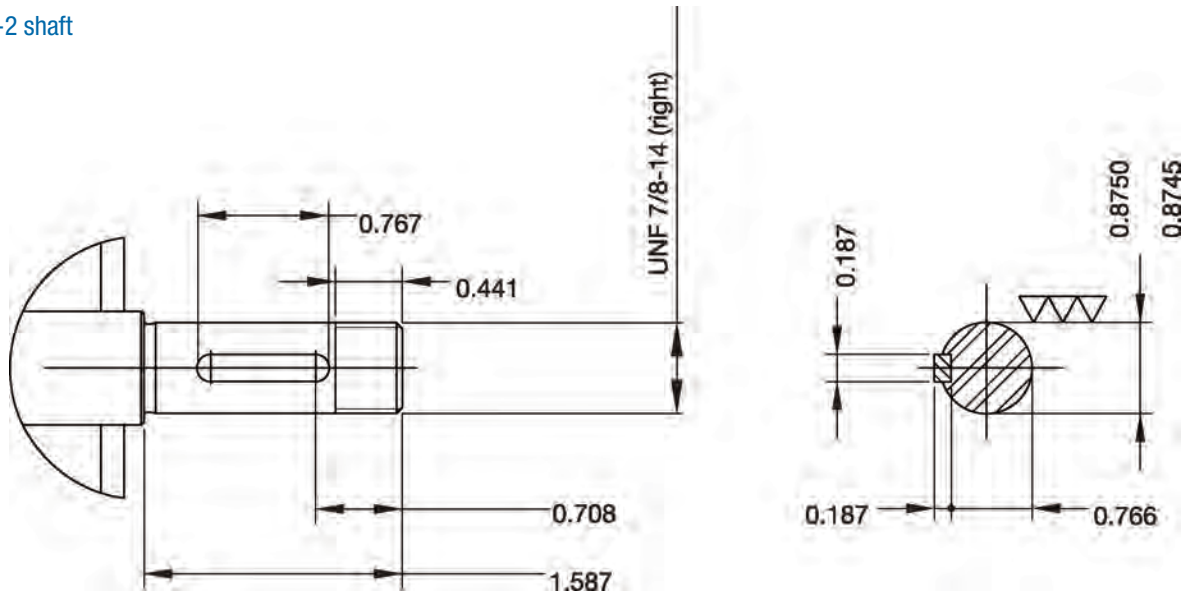
TEFC – C-Face – Footless

HP	kW	RPM	Frame	Catalog Number	List Price	Mult. Symbol	Approx. Shipping Weight (lbs)	Service Factor	FL Amps @ High	FL. Eff (%)	"C" Dimension (in)	Voltage (V)	Notes
1.5	1.1	1800	143/5TCZ	00158ET3ESB145TCZ1-S	\$1,489	RSP	43	1.15	2.20	86.5	13.583	230/460	9;20
2	1.5	1800	143/5TCZ	00218ET3ESB145TCZ1-S	\$1,612	RSP	47	1.15	2.70	86.5	13.976	230/460	9;20
		1800	143/5TCZ	00218ET3ESB145TCZ2-S	\$1,612	RSP	47	1.15	2.70	86.5	14.049	230/460	9;20

Type -1 shaft



Type -2 shaft



Please refer to back cover for description of "NOTES"

For detailed specifications, data sheets, drawings and performance curves visit <http://www.weg.net>

Data subject to change without notice.

Can't find what you are looking for? Call 1-800-ASK-4WEG (275-4934)

W22 Severe Duty Motors – TEFC

W22 Medium Voltage Motors – TEFC 2300 – 4160V	A-264
W22 Medium Voltage Motors – TEFC Add-On Modifications	A-265
W22 Medium Voltage 2300V - Electrical Data	A-266
W22 Medium Voltage 4160V - Electrical Data	A-268
Mechanical Data	A-270
Medium Voltage Worksheet	A-274
SSW7000C Medium Voltage Soft Starter	A-275

TEFC SEVERE DUTY MV MOTORS

Standard Features:

- Voltage: 2300/4160V
- Frequency: 60Hz
- 1.15SF at D.O.L. starting and safe area
- Insulation Class F
- VPI Impregnation
- Class B Temperature Rise @ 1.00SF
- Class F Temperature Rise @ 1.15SF
- Aluminum Rotor (except where otherwise indicated)
- S1 Continuous Duty
- TEFC
- IP55 Protection Degree
- F1 Mounting
Field conversion from F1 to F2 mounting available for all motors 250HP and above
- D.O.L. Starting
- Direct coupling
- Direction of Rotation:
CW for 2P motors (250HP and above)
Dual for 2P (200HP), 4P and 6P motors
- Altitude: 3300 f.a.s.l.
- Ambient temperature: 40°C
- NEMA Premium® Efficiency (250HP and above)
- Grease lubricated antifriction (ball) bearings
- 100,000hs L10 bearings lifetime
- Final Color: Blue (RAL 5009)
- NEMA Type I main terminal box (loose leads)
- Automatic grease relief
- Grounding lugs on both sides of the frame
- 4140 Steel Shaft
- 36 Months warranty from manufacturing date

Standard Accessories:

- RTD Pt100 Temperature Detectors (02 per phase and 01 per bearing)
- Space Heater, 120V
- Provision (flat surface) for vibration sensors
- Provision for dowel pins

Severe Duty Features:

- Most relevant features of IEEE 841
- Vibration level as per IEEE 841
- Stainless Steel extended grease tubes
- INPRO/SEAL on DE and NDE sides
- 0.005" feet flatness
- Automatic threaded T-drains (stainless steel)
- Tropicalization
- IEEE 841 Test reports

V.F.D. Operation Features:

- 1.00SF at V.F.D. Operation
- Class B Temperature Rise @ 1.00SF
- Suitable for V.F.D. Operation
10:1 VT with Class B temperature rise
2:1 CT with Class F temperature rise
- Electrically Insulated N.D.E. bearing housing
- Helwig Shaft Grounding brush (Add-on Modification)

Note: A method of reducing common mode voltages from motor terminals must be utilized.

Hazardous Area Features:

- 1.00SF at Hazardous Area
- Class B Temperature Rise @ 1.00SF
- CSA Certification: Class I, Div. 2, Gr. A, B, C and D, T3 (Except 600HP 6P – Safe Area only)
- Non-sparking external fan

Add-on Modifications from Stock

Note: For Add-on modifications, see page A253.

Note: Special attention to Reciprocating Compressors applications where the motor design must be evaluated and confirmed in a case by case basis.

HP	kW	RPM	NEMA Frame	Catalog Number	List Price	Multiplier	Approx. Shipping Weight (lbs)	Service Factor	FL. Eff (%)		"C" Dimension (in)	Voltage (V)	Notes
									2300V	4160V			
150	110	3600	L447/9TS	20036ET3XL449-W22MVR	\$38,054	MAQ2	2758	1.15	93.20	93.00	53.431	2300/4160	
		1800	L447/9T	20018ET3XL449-W22MVR	\$37,790	MAQ2	2608	1.15	93.30	93.30	57.181	2300/4160	
		1200	L447/9T	20012ET3XL449-W22MVR	\$43,039	MAQ2	2720	1.15	93.60	93.60	57.181	2300/4160	
200	150	3600	L447/9TS	20036ET3XL449-W22MV	\$38,054	MAQ2	2758	1.15	94.10	94.00	53.431	2300/4160	
		1800	L447/9T	20018ET3XL449-W22MV	\$37,790	MAQ2	2608	1.15	93.80	93.80	57.181	2300/4160	
		1200	L447/9T	20012ET3XL449-W22MV	\$43,039	MAQ2	2720	1.15	93.60	93.60	57.181	2300/4160	
250	185	3600	5009/10	25036ET3X5009-W50MV	\$42,512	MAQ2	4272	1.15	95.00	95.00	64.159	2300/4160	
		1800	5009/10	25018ET3X5009-W50MV	\$42,249	MAQ2	4457	1.15	95.00	95.00	70.035	2300/4160	
		1200	5009/10	25012ET3X5009-W50MV	\$48,810	MAQ2	4567	1.15	95.00	95.00	70.035	2300/4160	
300	220	3600	5009/10	30036ET3X5009-W50MV	\$51,698	MAQ2	4345	1.15	95.00	95.00	64.159	2300/4160	
		1800	5009/10	30018ET3X5009-W50MV	\$47,239	MAQ2	4283	1.15	95.00	95.00	70.035	2300/4160	
		1200	5009/10	30012ET3X5009-W50MV	\$55,371	MAQ2	4821	1.15	95.00	95.00	70.035	2300/4160	
350	260	3600	5009/10	40036ET3X5009-W50MVR	\$61,669	MAQ2	4707	1.15	95.00	95.00	64.159	2300/4160	47
		1800	5009/10	40018ET3X5009-W50MVR	\$60,848	MAQ2	4814	1.15	95.00	95.00	70.035	2300/4160	
		1200	5009/10	35012ET3X5009-W50MV	\$61,532	MAQ2	4825	1.15	95.00	95.00	70.035	2300/4160	
400	300	3600	5009/10	40036ET3X5009-W50MV	\$61,669	MAQ2	4707	1.15	95.00	95.00	64.159	2300/4160	47
		1800	5009/10	40018ET3X5009-W50MV	\$60,848	MAQ2	4814	1.15	95.00	95.00	70.035	2300/4160	
		1200	5809/10	40012ET3X5809-W50MV	\$68,812	MAQ2	6503	1.15	95.00	95.00	77.964	2300/4160	
450	330	3600	5809/10	50036ET3X5809-W50MVR	\$79,517	MAQ2	5915	1.15	95.20	95.20	71.089	2300/4160	
		1800	5009/10	50018ET3X5009-W50MVR	\$76,398	MAQ2	5008	1.15	95.00	95.00	70.035	2300/4160	47
		1200	5809/10	50012ET3X5809-W50MVR	\$89,970	MAQ2	6479	1.15	95.00	95.00	77.964	2300/4160	
500	370	3600	5809/10	50036ET3X5809-W50MV	\$79,517	MAQ2	5915	1.15	95.40	95.40	71.089	2300/4160	
		1800	5009/10	50018ET3X5009-W50MV	\$76,398	MAQ2	5008	1.15	95.00	95.00	70.035	2300/4160	47
		1200	5809/10	50012ET3X5809-W50MV	\$89,970	MAQ2	6479	1.15	95.00	95.00	77.964	2300/4160	
550	400	3600	5809/10	60036ET3X5809-W50MVR	\$86,864	MAQ2	6359	1.15	95.40	95.40	71.089	2300/4160	47
		1800	5809/10	60018ET3X5809-W50MVR	\$91,633	MAQ2	6351	1.15	95.40	95.40	77.964	2300/4160	
		1200	5809/10	60012ET3X5809-W50MVR	\$105,217	MAQ2	6803	1.15	95.00	95.00	77.964	2300/4160	47;48
600	440	3600	5809/10	60036ET3X5809-W50MV	\$86,864	MAQ2	6359	1.15	95.40	95.40	71.089	2300/4160	47
		1800	5809/10	60018ET3X5809-W50MV	\$91,633	MAQ2	6351	1.15	95.40	95.40	77.964	2300/4160	
		1200	5809/10	60012ET3X5809-W50MV	\$105,217	MAQ2	6803	1.15	95.00	95.00	77.964	2300/4160	47;48
650	480	1800	6806/07	70018ET3X6806-W50MVR	\$105,814	MAQ2	7686	1.15	95.40	95.40	78.224	2300/4160	47
		1200	6808/09	70012ET3X6808-W50MVR	\$117,307	MAQ2	9123	1.15	95.40	95.40	84.129	2300/4160	47
700	515	1800	6806/07	70018ET3X6806-W50MV	\$105,814	MAQ2	7686	1.15	95.40	95.40	78.224	2300/4160	47
		1200	6808/09	70012ET3X6808-W50MV	\$117,307	MAQ2	9123	1.15	95.40	95.40	84.129	2300/4160	47
750	560	1800	6808/09	80018ET3X6808-W50MVR	\$114,209	MAQ2	8704	1.15	95.40	95.40	84.129	2300/4160	
800	590	1800	6808/09	80018ET3X6808-W50MV	\$114,209	MAQ2	8704	1.15	95.40	95.40	84.129	2300/4160	

Please contact WEG for 50Hz MV motors from stock.



Add-On Modifications

NEMA FRAME			L447/9T	L447/9T	5000	5000	5800	5800	6800
			2P - MV	4/6P - MV	2P - MV	4/6P - MV	2P - MV	4/6P - MV	4/6P - MV
REPLATE	ADD CUSTOMER PART NUMBER AND / OR OTHER CHANGES SUCH AS VOLTAGE, HZ, ETC.								
MOD. NUMBER	NAMEPLATE								
N-30	Main Nameplate Change - Stainless Steel	NET	\$35.00	\$35.00	\$35.00	\$35.00	\$35.00	\$35.00	\$35.00
N-40	Additional Nameplate - Stainless Steel	NET	\$35.00	\$35.00	\$35.00	\$35.00	\$35.00	\$35.00	\$35.00
ELECTRICAL ADD-ON'S	INSTALLATION OF ENCODER								
E-100	Installation of Encoder - Dynapar HSD38 1024PPR & 5/8" stub shaft	LIST	\$1,145.00	\$1,145.00	\$1,876.00	\$1,876.00	\$2,176.00	\$2,176.00	\$2,426.00
E-120	Installation of Encoder - Additional Kit Required for Motors with Forced Ventilation (Motors designed with Ball Bearing at DE side)	LIST	\$680.00	\$680.00	\$1,064.00	\$1,064.00	\$1,157.00	\$1,157.00	\$1,203.00
E-130	Installation of Encoder - Additional Kit Required for Motors with Forced Ventilation (Motors designed with Roller Bearing at DE side)	LIST	N/A	\$876.00	N/A	\$1,089.00	N/A	\$1,218.00	\$1,263.00
C-FLANGE KIT	INSTALLATION OF C-FLANGE KITS								
C-90	Installation of C-FLANGE	LIST	\$1,793.00	\$1,793.00	\$3,071.00	\$3,071.00	\$3,517.00	\$3,517.00	\$4,190.00
D-FLANGE KIT	INSTALLATION OF D-FLANGE KITS								
D-130	Installation of D-FLANGE	LIST	\$1,711.00	\$1,711.00	\$2,613.00	\$2,613.00	\$3,041.00	\$3,041.00	\$3,421.00
COOLING	INSTALLATION OF BLOWER KIT (FORCED VENTILATION) AND CHANGE DIRECTION OF ROTATION								
F-210	Forced Ventilation (230/460V 60Hz): Blower Cooling (w/o Encoder) (Safe Area)	LIST	\$2,449.00	\$2,449.00	\$4,300.00	\$4,300.00	\$4,697.00	\$4,697.00	\$5,030.00
F-220	Forced Ventilation (240/480V 60Hz): Blower Cooling (w/o Encoder) (Hazardous Area)	LIST	N/A	N/A	\$4,576.00	\$4,576.00	\$5,118.00	\$5,118.00	\$5,625.00
F-230	Change Direction of Rotation - CCW External Fan for 2P motors	LIST	N/A	N/A	\$1,064.00	N/A	\$1,170.00	N/A	N/A
BEARINGS	BEARING CHANGE OUTS & SHAFT GROUNDING MODIFICATION								
B-200	Ball to Roller Bearing Conversion	LIST	N/A	\$1,813.00	N/A	\$2,544.00	N/A	\$2,714.00	\$2,934.00
B-250	Installation of Helwig Grounding Brush (Includes Brush and Brush Holder - DE only)	LIST	\$1,385.00	\$1,385.00	\$1,385.00	\$1,385.00	\$1,385.00	\$1,385.00	\$1,385.00
MOUNTING	TERMINAL BOX								
M-280	F1 to F2 Mounting Conversion	LIST	\$524.00	\$524.00	\$839.00	\$839.00	\$839.00	\$839.00	\$839.00
M-330	Oversized NEMA Type II Main Terminal Box	LIST	N/A	N/A	\$3,504.00	\$3,504.00	\$3,504.00	\$3,504.00	\$3,504.00
M-320	Install terminal block in terminal box	LIST	N/A	N/A	\$2,790.00	\$2,790.00	\$2,790.00	\$2,790.00	\$2,790.00

Electrical Data 2300V

Rated Output		Full Load Speed (RPM)	NEMA Frame	Locked Rotor Current (2300V)		Full Load Amps	Full Load Torque - Tn (lb.ft)	2300V	
HP	kW			kVA Code	II/In			Locked Rotor Torque (TI/Tn)	Breakdown torque (Tb/Tn)
150	110	3586	L447/9TS	M	11.4	36.1	220	2.40	3.70
		1789	L447/9T	K	8.0	37.9	440	1.80	2.80
		1189	L447/9T	K	7.7	40.4	662	2.00	2.80
200	150	3580	L447/9TS	K	8.7	47.1	293	1.80	2.80
		1786	L447/9T	G	6.0	48.4	588	1.40	2.10
		1185	L447/9T	G	6.0	51.6	886	1.50	2.10
250	185	3574	5009/10	G	6.4	55.5	367	1.00	2.10
		1783	5009/10	G	6.2	58.2	736	1.40	2.20
		1188	5009/10	G	5.7	61.9	1105	1.40	2.10
300	220	3575	5009/10	G	6.5	65.3	441	1.00	2.10
		1782	5009/10	G	6.2	68.4	884	1.40	2.10
		1183	5009/10	G	5.8	73.6	1332	1.60	2.20
350	260	3575	5009/10	H	7.4	78.1	514	1.10	2.40
		1787	5009/10	H	6.7	83.8	1029	1.70	2.40
		1184	5009/10	G	5.7	87.0	1552	1.70	2.30
400	300	3571	5009/10	G	6.5	89.1	588	1.00	2.10
		1785	5009/10	G	6.0	94.4	1177	1.50	2.10
		1189	5809/10	G	5.8	100	1767	1.50	2.10
450	330	3575	5809/10	H	7.2	98.9	661	1.30	2.65
		1789	5009/10	H	6.9	105	1321	0.90	2.65
		1192	5809/10	H	6.5	113	1982	1.65	2.30
500	370	3571	5809/10	G	6.5	109	735	1.20	2.40
		1787	5009/10	G	6.3	116	1469	0.80	2.40
		1191	5809/10	G	6.0	124	2205	1.50	2.10
550	400	3578	5809/10	H	7.4	121	807	1.20	2.50
		1788	5809/10	H	7.0	125	1615	1.85	2.40
		1193	5809/10	H	6.8	137	2421	1.00	2.70
600	440	3576	5809/10	G	6.7	132	881	1.10	2.30
		1786	5809/10	G	6.5	136	1764	1.70	2.20
		1192	5809/10	G	6.3	147	2643	0.90	2.50
650	480	1789	6806/07	H	6.9	152	1908	1.50	2.45
		1193	6808/09	H	7.0	149	2861	0.90	2.45
700	515	1789	6806/07	G	6.5	161	2055	1.40	2.30
		1193	6808/09	G	6.5	158	3081	0.85	2.30
750	560	1789	6808/09	H	6.8	180	2201	1.60	2.35
800	590	1789	6808/09	G	6.5	187	2348	1.50	2.20

Please contact WEG for 50Hz MV motors from stock.

continued on next page



Electrical Data 2300V (continued)

Rated Output		Efficiency (2300V)			Power Factor (2300V)			Moment of Inertia WK2 (lb.ft ²)	Approx. Weight (lb)	Approx. Sound Level dB(A)
		% of Full load								
HP	kW	50	75	100	50	75	100			
150	110	90.00	92.20	93.20	0.63	0.75	0.82	37.7	2536	88
		91.00	92.60	93.30	0.60	0.72	0.78	94.9	2386	79
		91.50	93.20	93.60	0.52	0.65	0.73	114.0	2498	71
200	150	92.40	93.60	94.10	0.72	0.82	0.85	37.7	2536	88
		92.60	93.80	93.80	0.70	0.79	0.83	94.9	2386	79
		92.80	93.60	93.60	0.63	0.73	0.78	114.0	2498	71
250	185	93.60	94.10	95.00	0.83	0.87	0.88	83.1	3803	79
		93.00	94.10	95.00	0.70	0.81	0.84	94.9	3971	79
		93.60	94.50	95.00	0.66	0.76	0.79	138.0	4081	77
300	220	93.60	94.10	95.00	0.83	0.88	0.89	88.5	3876	79
		93.60	94.10	95.00	0.74	0.82	0.85	114.0	3797	79
		93.60	94.50	95.00	0.66	0.74	0.79	159.0	4335	77
350	260	93.60	94.50	95.00	0.81	0.86	0.88	99.7	4238	79
		93.60	94.10	95.00	0.67	0.77	0.82	157.0	4328	79
		93.60	94.50	95.00	0.64	0.75	0.79	168.0	4339	77
400	300	94.10	94.50	95.00	0.83	0.87	0.89	99.7	4238	79
		94.10	94.50	95.00	0.72	0.80	0.84	157.0	4328	79
		94.10	94.50	95.00	0.67	0.76	0.79	382.0	5980	77
450	330	94.20	94.90	95.20	0.83	0.87	0.88	142.0	5415	82
		94.10	95.00	95.00	0.70	0.79	0.83	166.0	4522	79
		93.60	94.50	95.00	0.60	0.71	0.77	384.0	5956	77
500	370	94.50	95.00	95.40	0.85	0.89	0.89	142.0	5415	82
		94.50	95.00	95.00	0.73	0.81	0.84	166.0	4522	79
		94.10	94.50	95.00	0.63	0.73	0.79	384.0	5956	77
550	400	94.30	95.10	95.40	0.78	0.85	0.87	159.0	5859	82
		94.50	95.20	95.40	0.72	0.80	0.84	275.0	5828	82
		93.10	94.30	95.00	0.59	0.70	0.77	418.0	6280	77
600	440	94.70	95.40	95.40	0.80	0.86	0.88	159.0	5859	82
		95.00	95.40	95.40	0.75	0.81	0.85	275.0	5828	82
		93.30	94.50	95.00	0.62	0.73	0.79	418.0	6280	77
650	480	94.30	94.80	95.40	0.71	0.80	0.83	427.0	7074	82
		94.80	95.40	95.40	0.74	0.82	0.85	724.0	8500	81
700	515	94.50	95.00	95.40	0.73	0.81	0.84	427.0	7074	82
		95.00	95.40	95.40	0.75	0.83	0.86	724.0	8500	81
750	560	94.90	95.40	95.40	0.71	0.79	0.82	534.0	8081	82
800	590	95.00	95.40	95.40	0.72	0.80	0.83	534.0	8081	82

Please contact WEG for 50Hz MV motors from stock.

Electrical Data - 4160V

Rated Output		Full Load Speed (RPM)	NEMA Frame	Locked Rotor Current (4160V)		Full Load Amps	4160V		
HP	kW			kVA Code	II/In		Full Load Torque - Tn (lb.ft)	Locked Rotor Torque (TI/Tn)	Breakdown torque (Tb/Tn)
150	110	3587	L447/9TS	N	11.4	20.5	220	2.60	4.00
		1790	L447/9T	K	8.3	21.3	440	2.00	3.00
		1190	L447/9T	L	8.1	23.3	662	2.10	3.00
200	150	3582	L447/9TS	N	8.7	26.4	293	2.00	3.00
		1787	L447/9T	H	6.5	27.4	588	1.50	2.30
		1186	L447/9T	H	6.5	29.3	886	1.60	2.30
250	185	3576	5009/10	H	7.5	30.7	367	1.10	2.20
		1785	5009/10	H	6.8	32.2	735	1.50	2.30
		1189	5009/10	H	6.4	34.6	1104	1.60	2.20
300	220	3576	5009/10	H	7.3	36.1	441	1.10	2.30
		1784	5009/10	G	6.5	38.3	883	1.50	2.20
		1185	5009/10	H	6.4	41.2	1329	1.70	2.30
350	260	3577	5009/10	J	8.2	43.2	514	1.25	2.50
		1788	5009/10	J	7.5	47.5	1028	1.90	2.50
		1185	5009/10	H	6.3	48.7	1551	1.80	2.50
400	300	3573	5009/10	H	7.2	49.2	588	1.10	2.20
		1786	5009/10	H	6.7	52.8	1176	1.70	2.20
		1190	5809/10	H	6.3	56.2	1765	1.70	2.20
450	330	3577	5809/10	J	8.2	54.7	661	1.40	2.85
		1789	5009/10	J	7.6	58.8	1321	1.00	2.85
		1192	5809/10	J	7.0	64.3	1982	1.75	2.45
500	370	3574	5809/10	H	7.4	60.5	735	1.30	2.60
		1787	5009/10	H	6.8	65.1	1469	0.90	2.60
		1191	5809/10	H	6.5	70.2	2205	1.60	2.20
550	400	3580	5809/10	J	8.0	68.5	807	1.30	2.70
		1789	5809/10	J	7.8	70.1	1614	1.95	2.50
		1193	5809/10	J	7.1	77.9	2421	1.10	2.90
600	440	3578	5809/10	H	7.2	74.4	881	1.20	2.50
		1787	5809/10	H	7.0	76.2	1763	1.80	2.30
		1192	5809/10	H	6.5	83.5	2643	1.00	2.70
650	480	1790	6806/07	J	7.6	85.2	1907	1.60	2.55
		1193	6808/09	J	7.8	83.1	2861	1.00	2.55
700	515	1790	6806/07	H	6.8	90.3	2054	1.50	2.40
		1193	6808/09	H	7.0	88.1	3081	0.95	2.40
750	560	1790	6808/09	J	7.5	101	2200	1.80	2.45
800	590	1790	6808/09	H	7.0	105	2347	1.70	2.30

Please contact WEG for 50Hz MV motors from stock.

continued on next page

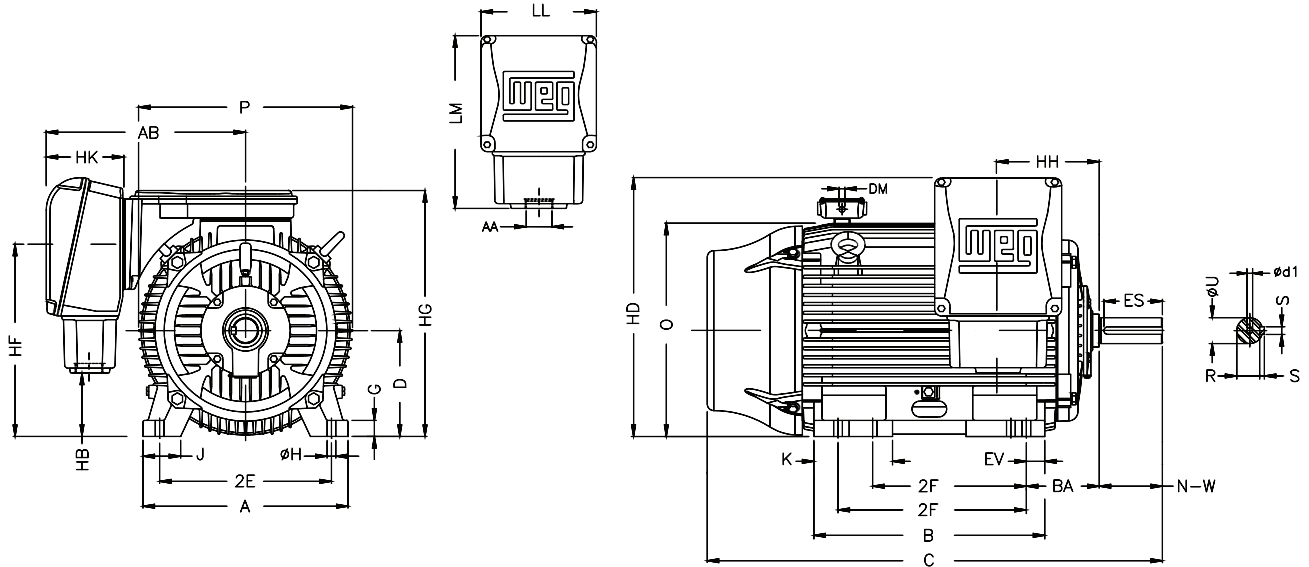


Electrical Data 4160V (continued)

Rated Output		Efficiency (4160V)			Power Factor (4160V)			Moment of Inertia WK2 (lb.ft ²)	Approx. Weight (lb)	Approx. Sound Level dB(A)
HP	kW	% of Full load								
		50	75	100	50	75	100			
150	110	89.60	91.90	93.00	0.60	0.72	0.80	37.7	2536	88
		91.00	92.60	93.30	0.57	0.69	0.77	94.9	2386	79
		91.50	93.20	93.60	0.48	0.61	0.70	114.0	2498	71
200	150	92.10	93.40	94.00	0.70	0.80	0.84	37.7	2536	88
		92.60	93.80	93.80	0.67	0.77	0.81	94.9	2386	79
		92.80	93.60	93.60	0.59	0.70	0.76	114.0	2498	71
250	185	93.60	94.10	95.00	0.83	0.87	0.88	83.1	3803	79
		93.00	94.10	95.00	0.70	0.81	0.84	94.9	3971	79
		93.60	94.50	95.00	0.63	0.74	0.78	138.0	4081	77
300	220	93.60	94.10	95.00	0.83	0.87	0.89	88.5	3876	79
		93.60	94.10	95.00	0.72	0.81	0.84	114.0	3797	79
		93.60	94.50	95.00	0.63	0.73	0.78	159.0	4335	77
350	260	93.60	94.50	95.00	0.80	0.86	0.88	99.7	4238	79
		93.60	94.10	95.00	0.65	0.76	0.80	157.0	4328	79
		93.60	94.50	95.00	0.61	0.71	0.78	168.0	4339	77
400	300	94.10	94.50	95.00	0.82	0.87	0.89	99.7	4238	79
		94.10	94.50	95.00	0.70	0.79	0.83	157.0	4328	79
		94.10	94.50	95.00	0.64	0.74	0.78	382.0	5980	77
450	330	94.20	94.90	95.20	0.82	0.87	0.88	142.0	5415	82
		94.10	95.00	95.00	0.67	0.77	0.82	166.0	4522	79
		93.60	94.50	95.00	0.58	0.68	0.75	384.0	5956	77
500	370	94.50	95.00	95.40	0.84	0.89	0.89	142.0	5415	82
		94.50	95.00	95.00	0.71	0.80	0.83	166.0	4522	79
		94.10	94.50	95.00	0.60	0.71	0.77	384.0	5956	77
550	400	94.30	95.10	95.40	0.75	0.82	0.85	159.0	5859	82
		94.50	95.20	95.40	0.71	0.79	0.83	275.0	5828	82
		93.10	94.30	95.00	0.56	0.68	0.75	418.0	6280	77
600	440	94.70	95.40	95.40	0.77	0.83	0.86	159.0	5859	82
		95.00	95.40	95.40	0.73	0.80	0.84	275.0	5828	82
		93.30	94.50	95.00	0.58	0.71	0.77	418.0	6280	77
650	480	94.30	94.80	95.40	0.69	0.79	0.82	427.0	7074	82
		94.80	95.40	95.40	0.72	0.81	0.84	724.0	8500	81
700	515	94.50	95.00	95.40	0.71	0.80	0.83	427.0	7074	82
		95.00	95.40	95.40	0.74	0.82	0.85	724.0	8500	81
750	560	94.90	95.40	95.40	0.68	0.77	0.81	534.0	8081	82
800	590	95.00	95.40	95.40	0.70	0.79	0.82	534.0	8081	82

Please contact WEG for 50Hz MV motors from stock.

Mechanical Data

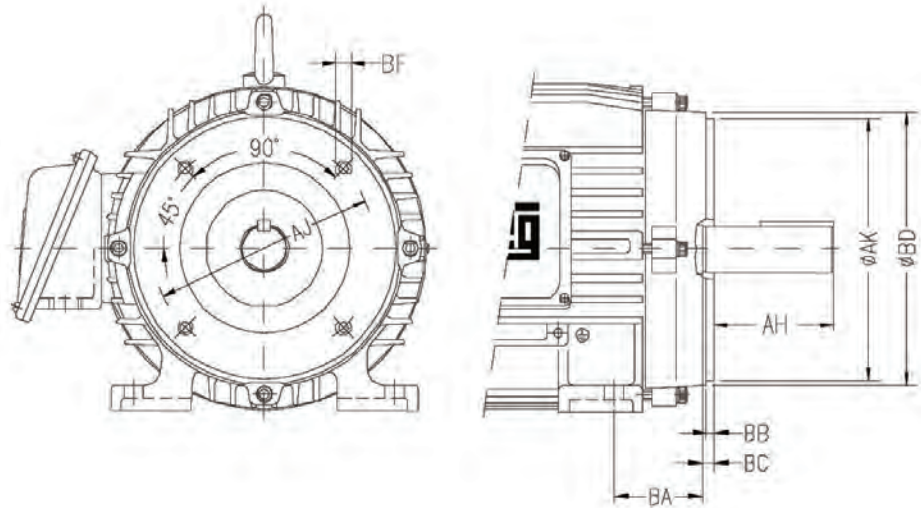


NEMA	Mounting														
	FRAME	2E	2F	EV	H	BA	A	B	C	D	G	J	K	O	P
	L447/9T	18	20	2.638	0.81	7.5	21.929	31.535	57.181	11	1.63	3.937	8.78	23.874	25.866
L447/9TS	25		53.431												

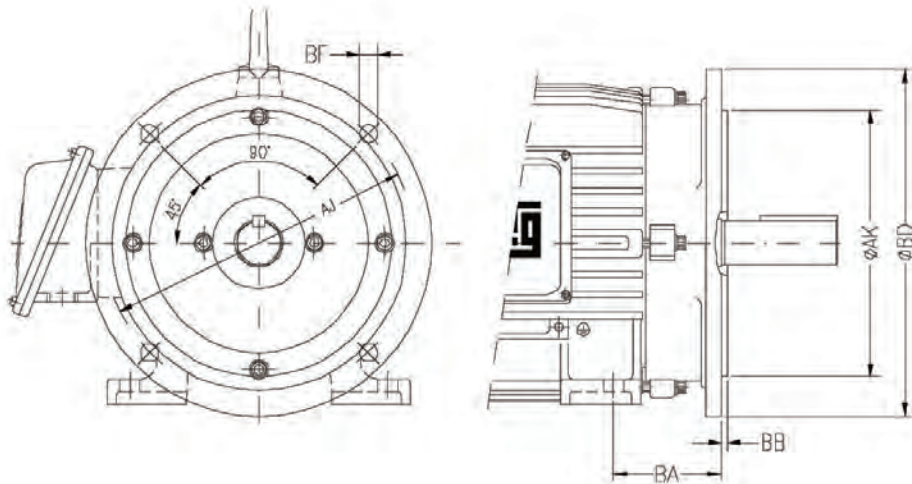
NEMA	KEYWAY				SHAFT EXTENSION		
	FRAME	S	R	ES	N-W	U	
	L447/9T	0.875	2.88	7.087	8.5	3.375	
L447/9TS	0.625	2.021	3	4.75	2.375		

NEMA	TERMINAL BOX												BEARINGS		
	FRAME	AB	HB	HD	HF	HG	HH	HK	LL	LM	AA	DM	d1	D.E.	N.D.E.
	L447/9T	28.543	2.125	30.906	21.024	28.236	11.5	14.291	18.11	28.74	1 x NPT 3"	2 x NPT 3/4"	DUNC 3/4"-10	6322-C3	6319-C3
L447/9TS	6314-C3													6314-C3	

Mechanical Data

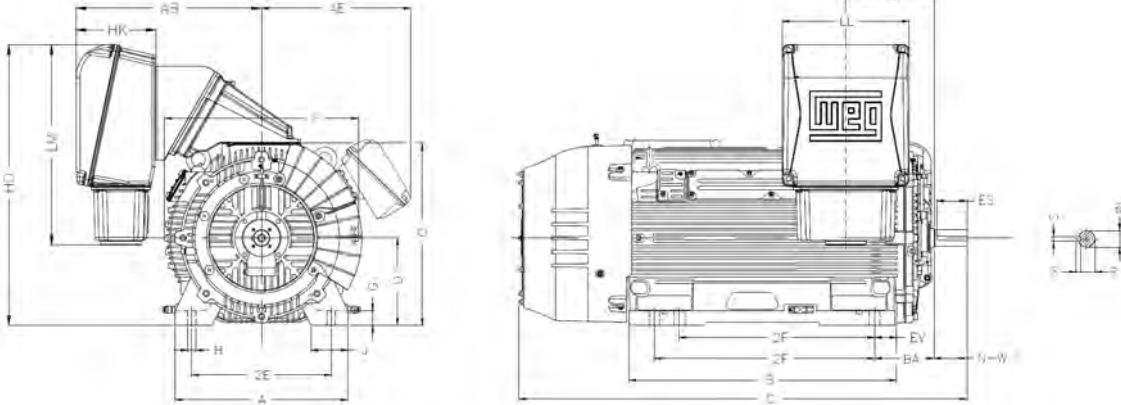


NEMA	"C" FLANGE DIMENSIONS								
	FRAME	BA	AJ	AK	BD	BF	BB	BC	AH
	L447/9T L447/9TS	7.5	14	16	17.91	UNC 5/8" x 11	0.25	0.25	8.25



NEMA	"D" FLANGE DIMENSIONS						
	FRAME	BA	AJ	AK	BD	BF	BB
	L447/9T L447/9TS	7.5	20	18	21.65	0.828	0.203

Mechanical Data



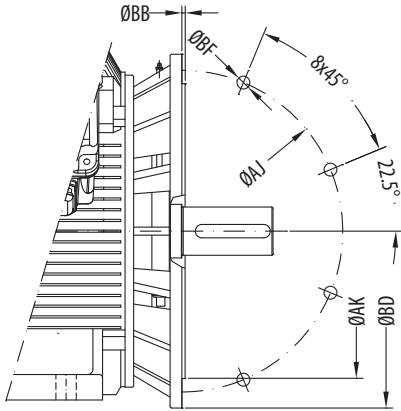
		MOUNTING														
		FRAME	Speed	2E	2F	EV	H	BA	A	B	C	D	G	J	K	O
NEMA	5009/10	2P	20	28.000 / 32.000	3.151	1.181	8.503	24.724	38.585	64.159	12.5	2.073	5.279	11.12	26.083	27.795
		4P & 6P					8.504			70.035						
	5809/10	2P	23	32.000 / 36.000	3.491	1.181	10	29.506	42.415	71.089	14.5	2.498	5.793	11.596	30.051	31.086
		4P & 6P								77.964						
NEMA	6806/07	4P	27	28.000 / 32.000	4.575	1.417	11.5	33.071	42.226	78.224	17	1.967	7.064	11.74	34.52	34.646
	6808/09	4P & 6P		36.000 / 40.000					48.126	84.129				11.737		

		KEYWAY				SHAFT EXTENSION	
		FRAME	Speed	S	R	ES	N-W
NEMA	5009/10	2P	0.625	2.02	4.331	4.75	2.375
		4P & 6P	0.875	3.134	9.055	10.625	3.625
	5809/10	2P	0.625	2.021	4.331	4.75	2.375
		4P & 6P	1	3.309	9.843	11.625	3.875
	6806/07	4P	1	3.817	9.843	11.625	4.375
	6808/09	4P & 6P					

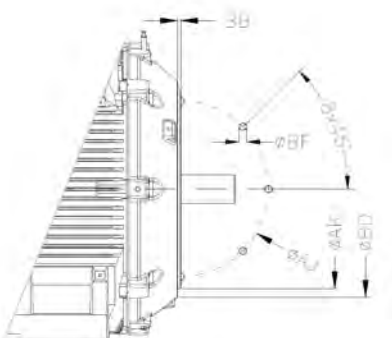
		TERMINAL BOX										
		FRAME	Speed	AB	AE	HD	HH	HK	LL	LM	AA	DM
NEMA	5009/10	2P	26.536	21.343	40.196	12.638	11.41	18.11	28.712	1 x NPT 3"	3 x NPT 3/4"	DUNC 3/4"-10
		4P & 6P										DUNC 7/8"-9
	5809/10	2P	26.69	22.397	44.168	13.74	11.41	18.11	28.74	1 x NPT 3"	3 x NPT 3/4"	DUNC 3/4"-10
		4P & 6P										DUNC 7/8"-9
6806/07	4P & 6P	29.901	23.697	48.588	13.862	11.41	18.11	28.72	1 x NPT 3"	3 x NPT 3/4"	DUNC 1"-8	
6808/09												

		BEARINGS			
		FRAME	Speed	D.E.	N.D.E.
NEMA	5009/10	2P	6314-C3	6314-C3	
		4P & 6P	6320-C3	6316-C3	
	5809/10	2P	6314-C3	6314-C3	
		4P & 6P	6322-C3	6319-C3	
	6806/07	4P & 6P	6324-C3	6319-C3	
	6808/09				

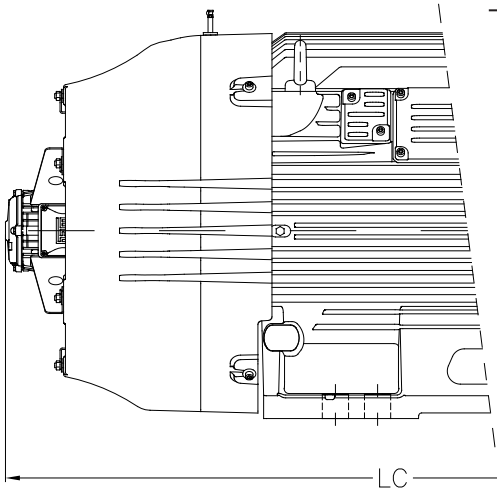
Mechanical Data



NEMA	"D" FLANGE DIMENSIONS						
	FRAME	FLANGE	BB	AJ	AK	BD	BF
5009/10	D-558		0.250	22.000	18.000	24.000	0.827
5809/10	D-762		0.250	30.000	28.000	32.000	0.827
6806/07	FF-940		0.250	35.252	33.250	37.250	1.000
6808/09	FF-1080		0.250	35.252	33.250	37.250	1.000



NEMA	"C" FLANGE DIMENSIONS						
	FRAME	FLANGE	BB	AJ	AK	BD	BF
5009/10	FC 368		0.25	14.5	16.5	17.9	UNC 5/8"-11 x 8
5809/10			0.25	14.5	16.5	17.9	UNC 1"-8 x 8
6806/7	FC 533		0.25	21	23	24.9	UNC 1"-8 x 8
6808/9	FC 533		0.25	21	23	24.9	UNC 1"-8 x 8



NEMA	MOTOR TOTAL LENGTH WITH INSTALLED BLOWER		
	FRAME	SPEED	C
5009/10		2P	70.577
		4P & 6P	76.432
5809/10		2P	77.486
		4P & 6P	84.361
6806/07		4P	84.621
6808/09		4P & 6P	90.527

LET US KNOW ABOUT YOUR APPLICATION

Please fill in and provide the below information (as much as possible) to ensure WEG's motor design matches your particular application.

Date: / /
 Submitted by: _____ E-mail: _____
 Customer/ Project: _____ Specification: _____
 Customer ref.: _____

MAIN FEATURES:

Quantity: _____ Voltage: _____
 Number of Poles: _____ Frequency: 60 Hz
 Output: _____ (kW/ HP)

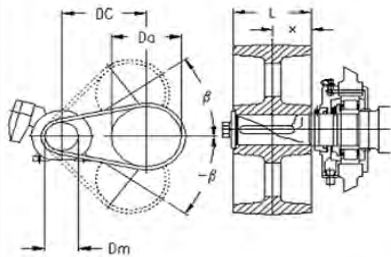
ADDITIONAL FEATURES:

Cooling System: TEFC
 Service Factor: _____
 Degree of Protection: IP55
 Starting Method: _____
 Temperature Rise: _____
 Ambient Temperature: _____
 Hazardous Area: Zone/ Division: _____

Rotation (facing DE): _____
 Duty Cycle: _____
 Starting Method: _____
 Speed Range (V.F.D.): _____
 Coupling: _____
 Altitude: _____
 Group/ Class: _____ Temp. Class: _____

Pulley and Belt Coupling:

Coupling Type:

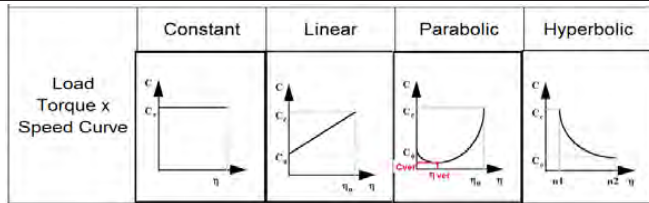


*DM = _____ [in]
 *Da = _____ [in]
 *DC = _____ [in]
 *L = _____ [in]
 *x = _____ [in]
 *β = _____ [degrees]
 *Weight = _____ [lb]
 *Number of Belts = _____
 *Type of Belt = _____

* Just for Pulley & Belt Coupling

LOAD DATA:

Driven Machine: _____
 Rotation (rpm): _____
 Inertia (J = sq.ft.lb): _____
 Torque x Speed Curve type: _____
 Absorbed Power: _____



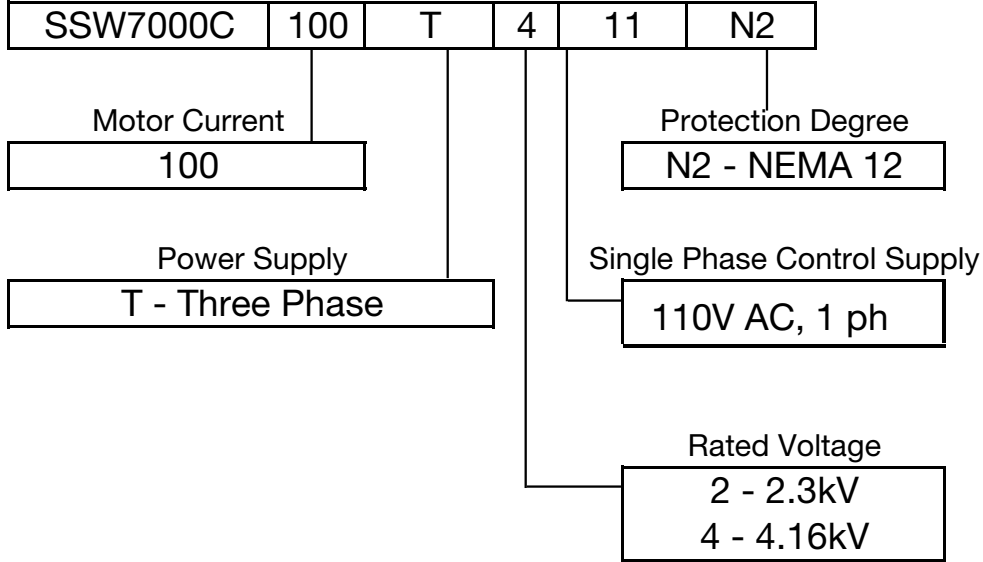
ADD-ON MODIFICATIONS (Check as necessary):

- | | |
|--|--|
| <input type="checkbox"/> Main nameplate change | <input type="checkbox"/> Additional Nameplate |
| <input type="checkbox"/> Encoder Dynapar HSD38 1024ppr | <input type="checkbox"/> C-Flange |
| <input type="checkbox"/> D-Flange | <input type="checkbox"/> Forced Ventilation (Blower Cooling) |
| <input type="checkbox"/> Change Direction of Rotation (2P motors only) | <input type="checkbox"/> Ball to Roller Bearing conversion |
| <input type="checkbox"/> Helwig Shaft grounding brush | <input type="checkbox"/> F1 to F2 mounting conversion |
| <input type="checkbox"/> Oversized NEMA Type II Main terminal box | <input type="checkbox"/> Terminal Block inside Main terminal box |

SSW7000C Medium Voltage Soft Starter

Product Code

SSW7000C Catalog Number Sequence



Rating

Power Supply	Catalog Number	Control Voltage	Motor Power		List Price	Multiplier
			HP*	kW		
2300V, 3PH, 60HZ	SSW7000C100T211N2	110V, 1Ph	400	300	\$58,322	E3
	SSW7000C120T211N2	110V, 1Ph	500	373	\$58,684	
	SSW7000C150T211N2	110V, 1Ph	600	450	\$60,294	
	SSW7000C180T211N2	110V, 1Ph	750	560	\$61,749	
	SSW7000C210T211N2	110 V, 1Ph	950	700	\$62,570	
	SSW7000C240T211N2	110V, 1Ph	1100	800	\$63,851	
	SSW7000C300T211N2	110 V, 1Ph	1350	1000	\$69,396	
	SSW7000C370T211N2	110V, 1Ph	1650	1200	\$70,960	
	SSW7000C430T211N2	110V, 1Ph	1900	1400	\$73,789	
4160V, 3PH, 60HZ	SSW7000C100T411N2	110V, 1Ph	750	560	\$65,721	
	SSW7000C120T411N2	110V, 1Ph	1000	750	\$67,347	
	SSW7000C150T411N2	110V, 1Ph	1250	925	\$68,901	
	SSW7000C180T411N2	110V, 1Ph	1500	1100	\$70,728	
	SSW7000C210T411N2	110 V, 1Ph	1750	1300	\$71,560	
	SSW7000C240T411N2	110V, 1Ph	2000	1500	\$73,235	
	SSW7000C300T411N2	110 V, 1Ph	2500	1850	\$80,861	
	SSW7000C370T411N2	110V, 1Ph	3000	2250	\$82,080	
	SSW7000C430T411N2	110V, 1Ph	3500	2600	\$86,656	

Synchronous Alternators

WEG's extensive experience in the manufacturing of alternators in addition to modern design, production capacity and testing facilities, has resulted in a range of brushless synchronous alternators.

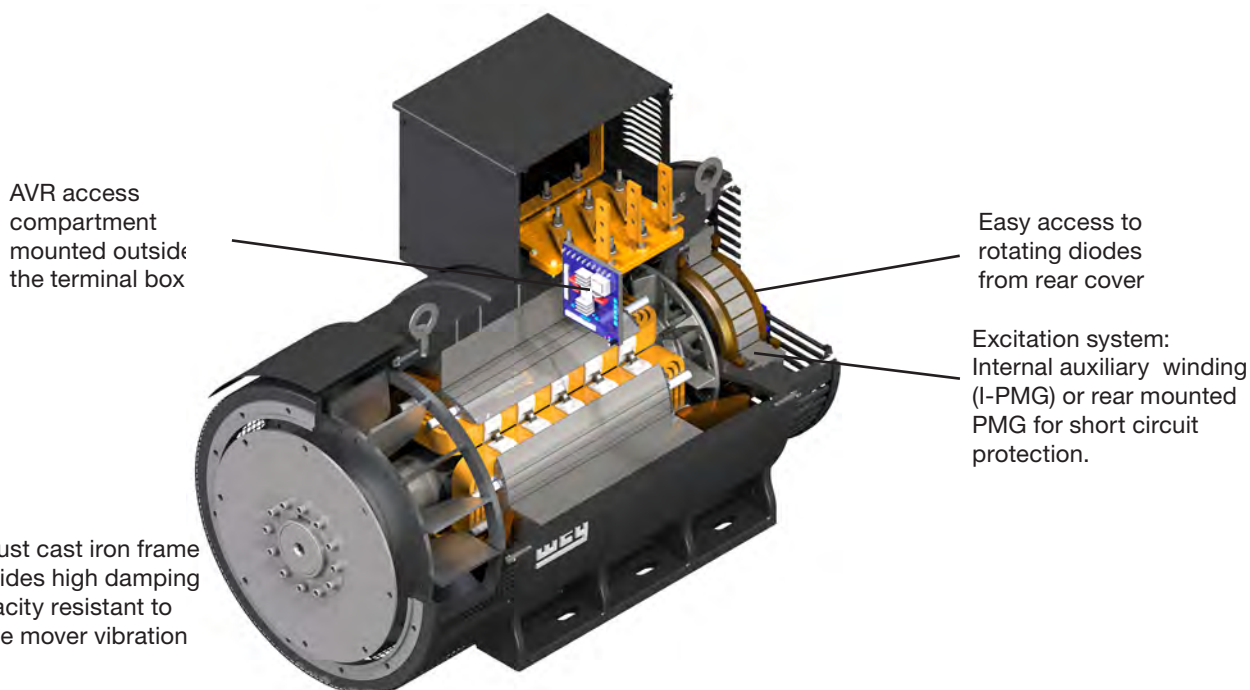
Available up to 4,200 kVA, the G Plus and AG10 lines are suitable for all emergency, prime power or continuous operation in these areas:

- Industrial
- Commercial
- Marine
- Telecommunication
- Mining
- Residential
- Irrigation
- Hospitals
- Rural areas
- Airports and others

Technical Features:

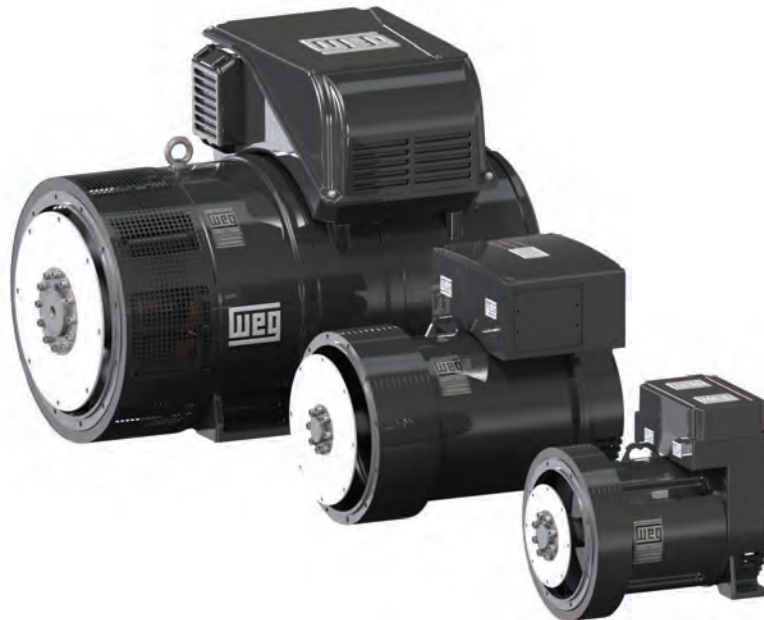
- Output power: up to 2,455 kVA (others upon request)
- Frames: 160 to 400 (IEC)
- Low voltage: 110 to 690 V
- High voltage: 2,300 to 13,800 V (upon request)
- Frequency: 50 to 60 Hz
- Degree of protection: IP23 (standard), IP44 to IP55W (upon request)
- Insulation class: 180 °C (H) low voltage and 155 °C (F) high voltage
- Winding pitch: 2/3 (160 to 315)
- THD: $\leq 3\%$
- Number of poles: 4 poles (standard), 6 and 8 poles (upon request)
- Leads: 12 or 6 leads
- Vacuum Pressure Impregnation (VPI) with harsh environment epoxy winding protection as standard

Alternators



G Plus Line

Leads	Catalog Number	DT	SAE	480V - Y					List Price	Multi-Symbol
				240V - YY						
				80°C	105°C	125°C	150°C	163°C		
G Plus	12 161AIHS-S	kVA	4/7.5	15	17	18	20	20	\$3,206	LV ALT
		kW		12	13	15	16	16		
	12 161AIHS-3115M	kVA	3/11.5	15	17	18	20	20	\$3,206	LV ALT
		kW		12	13	15	16	16		
	12 161AIHI-S	kVA	4/7.5	21	23	26	29	30	\$3,468	LV ALT
		kW		17	19	20	23	23		
	12 161AIHI-311.5M	kVA	3/11.5	21	23	26	29	30	\$3,468	LV ALT
		kW		17	19	20	23	23		
	12 162AIVD-S	kVA	4/7.5	26	30	42	44	46	\$4,078	LV ALT
		kW		21	24	33	35	37		
	12 162AIVD-3115M	kVA	3/11.5	26	30	42	44	46	\$4,078	LV ALT
		kW		21	24	33	35	37		
	12 201AIHV-S	kVA	3/11.5	56	65	71	77	81	\$5,357	LV ALT
		kW		45	52	56	62	65		
	12 201AIHE-S	kVA	3/11.5	66	76	88	95	97	\$6,143	LV ALT
		kW		53	60	70	76	78		
	12 202AIVS-S	kVA	3/11.5	88	101	110	116	120	\$6,643	LV ALT
		kW		70	81	88	93	96		
12 202AIVJ-S	kVA	3/11.5	107	123	141	144	150	\$7,607	LV ALT	
	kW		86	98	113	115	120			
12 251AIHD-S	kVA	3/11.5	140	161	175	188	189	\$8,393	LV ALT	
	kW		112	129	140	150	151			
12 251AIHE-S	kVA	3/11.5	180	206	225	243	252	\$9,821	LV ALT	
	kW		144	165	180	194	202			
12 251AIHE-2115M	kVA	2/11.5	180	206	225	243	252	\$9,821	LV ALT	
	kW		144	165	180	194	202			



AG10 Line

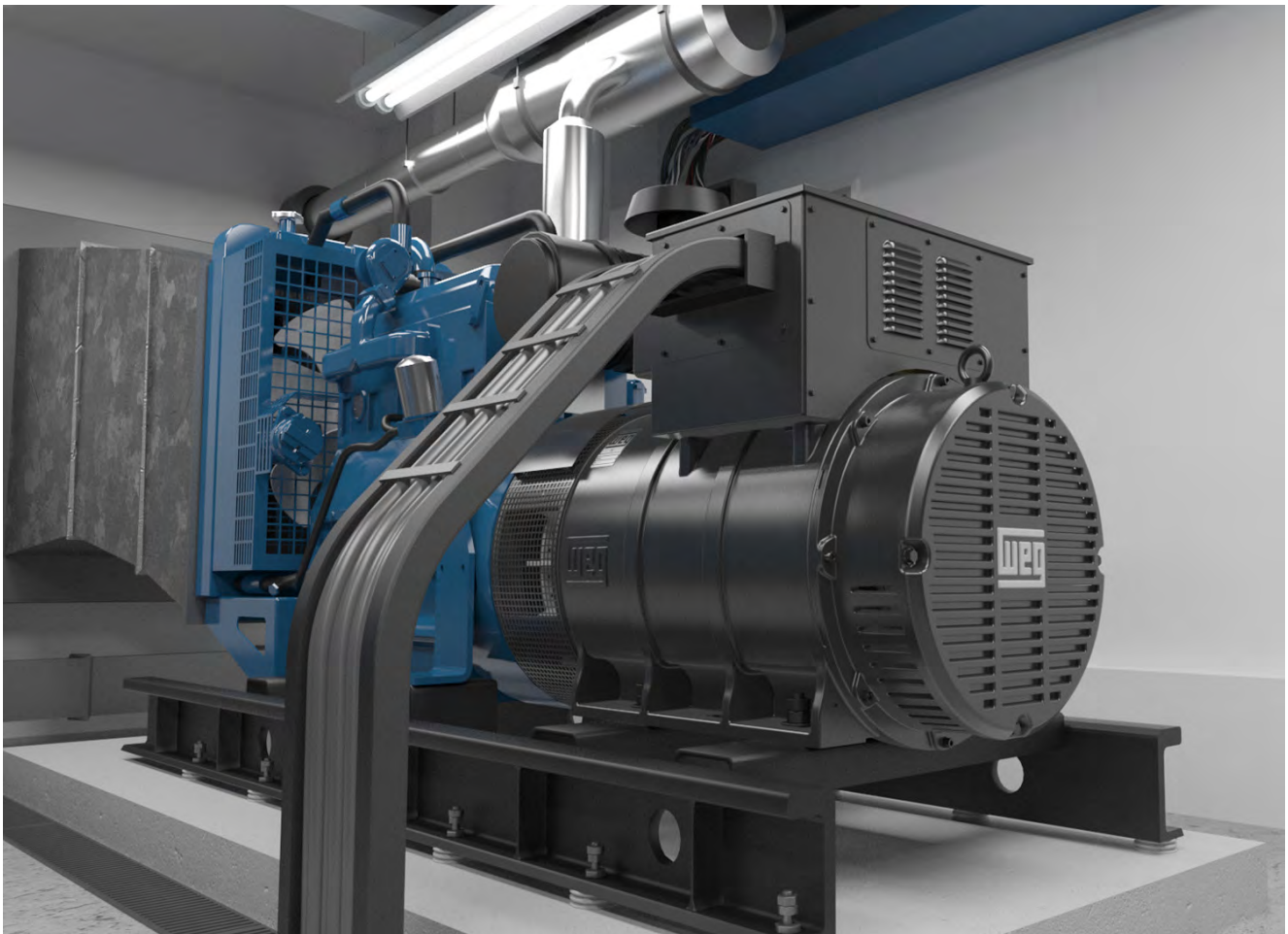
Leads	Catalog Number	DT	SAE	480V - Y					List Price	Multi-Symbol
				240V - YY						
				80°C	105°C	125°C	150°C	163°C		
12	250SI50AI-3115M	kVA	3/11.5	208	238	260	290	295	\$10,735	LV ALT
		kW		166	191	208	232	236		
12	250SI50AI-2115M	kVA	2/11.5	208	238	260	290	295	\$10,735	LV ALT
		kW		166	191	208	232	236		
12	250SI50AI-S	kVA	1/14	208	238	260	290	295	\$10,735	LV ALT
		kW		166	191	208	232	236		
12	250MI60AI-2115M	kVA	3/11.5	250	288	312	345	360	\$11,598	LV ALT
		kW		200	230	250	276	288		
12	250MI60AI-2115M	kVA	2/11.5	250	288	312	345	360	\$11,598	LV ALT
		kW		200	230	250	276	288		
12	250MI60AI-S	kVA	1/14	250	288	312	345	360	\$11,598	LV ALT
		kW		200	230	250	276	288		
12	250MI70AI-S	kVA	1/14	292	335	365	400	417	\$13,393	LV ALT
		kW		234	268	292	320	334		
12	250MI80AI-S	kVA	1/14	324	371	405	460	470	\$14,250	LV ALT
		kW		259	297	324	368	376		
12	280MI50AI-S	kVA	1/14	378	440	472	517	550	\$15,520	LV ALT
		kW		302	352	378	414	440		
12	280MI60AI-S	kVA	1/14	412	472	515	550	580	\$17,218	LV ALT
		kW		330	378	412	440	464		
12	315MI50AI-S	kVA	1/14	520	596	650	700	750	\$19,586	LV ALT
		kW		416	477	520	560	600		
12	315MI50AI-018M	kVA	0/18	520	596	650	700	750	\$19,586	LV ALT
		kW		416	477	520	560	600		
12	315MI60AI-S	kVA	1/14	570	650	710	780	825	\$21,964	LV ALT
		kW		456	520	568	624	660		
12	315MI60AI-018M	kVA	0/18	570	650	710	780	825	\$21,964	LV ALT
		kW		456	520	568	624	660		
12	315MI70AI-S	kVA	1/14	642	736	803	875	906	\$24,394	LV ALT
		kW		514	589	642	700	725		
12	315MI70AI-018M	kVA	0/18	642	736	803	875	906	\$24,394	LV ALT
		kW		514	589	642	700	725		
12	315LI90AI-S	kVA	1/14	832	953	1040	1100	1160	\$32,684	LV ALT
		kW		666	763	832	880	928		
12	315LI90AI-0118M	kVA	0/18	832	953	1040	1100	1160	\$32,684	LV ALT
		kW		666	763	832	880	928		
12	355MI70AI-S	kVA	0/18	1120	1283	1400	1450	1520	\$44,643	LV ALT
		kW		896	1026	1120	1160	1216		

Alternators

AG10

Modifications

Modifications		Description	List Price USD	Multi. Symbol
E-35	Space heater 120V	160 - 200 models	\$350	LV ALT
E-40	Space heater 240V			
E-35	Space heater 120V	250 - 280 models	\$425	LV ALT
E-40	Space heater 240V			
E-35	Space heater 120V	315 - 400 models	\$450	LV ALT
E-40	Space heater 240V			
PM-10	External PMG	250 models	\$1,950	LV ALT
PM-20	External PMG	280 models	\$2,025	
PM-20	External PMG	315 - 400 models	\$2,450	



Alternators

Permanent Magnet DC Motors

NEMA 56 PMDC Motors	A-281
NEMA 145TC PMDC Motors	A-281
M1600 Permanent Magnet Motor - 2.375" diameter	A-282
M4000 Permanent Magnet Motor - 3.12" diameter	A-282
Mechanical Data	A-283

Parallel Shaft Gearmotors

GIL 100 Series Gearbox	A-284
GIL 200 Series Gearbox	A-285

Right Angle Gearmotors

G33 Series Single Worm Reduction	A-286
--	-------

BRUSHES FOR RAE "MT" MOTORS

- List price for one brush. Typically need to replace both brushes at the sametime. Need to order two brushes.

RAE PART NUMBER	MOTOR FRAME SIZE	MOTOR HP RANGE	List Price	Multipiler
MT-56BS	56C	¼ - ½ HP	\$34	DC1
MT-75BS	56C	¾ - 1 HP	\$34	DC1
MT-145BS	145C	1.5 - 3 HP	\$41	DC1

NEMA 56 PMDC Motors

- UL recognized Also CE and RoHs listed.
- Replaceable brushes
- ¼ Hp thru ½ Hp ratings have a 4.45" frame/tube OD
- ¾ Hp and 1.0 Hp ratings have a 4.85" frame/tube OD.
- Optional Low Voltage (12v or 24V), or TENV Enclosed



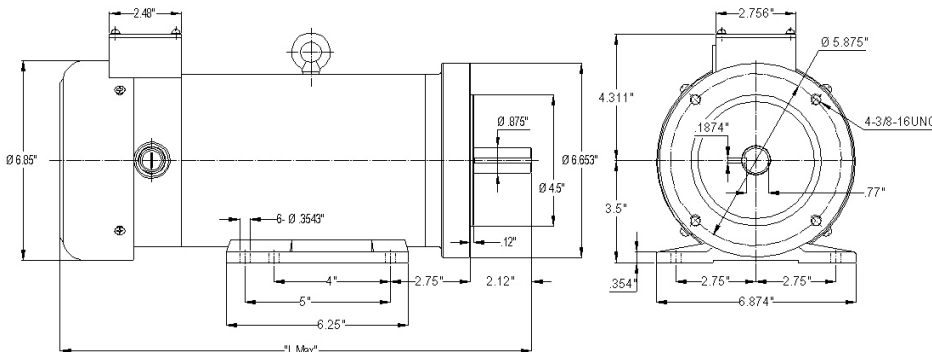
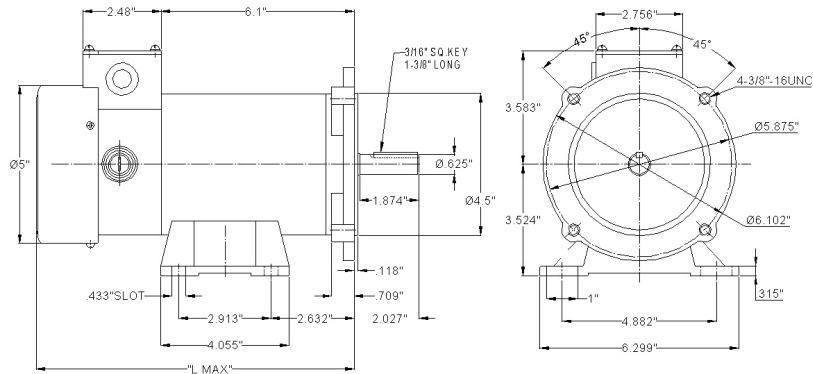
Catalog Number	HP	Voltage	Current	Speed	INSUL Class	Torque	L Max	List Price	Multiplier
			(Amp)	(RPM)		(In/lbs)	(inches)		
MT-031	0.25	90	2.9	1750	F	9	9.63	\$516	DC1
MT-041	0.25	180	1.39	1750	F	9	9.63	\$516	DC1
MT-033	0.33	90	3.7	1750	F	12	9.63	\$563	DC1
MT-042	0.33	180	1.85	1750	F	12	9.63	\$563	DC1
MT-032	0.5	90	5.3	1750	F	18	10.24	\$644	DC1
MT-043	0.5	180	2.78	1750	F	18	10.24	\$644	DC1
MT-035	0.75	90	7.8	1750	F	27	11.67	\$791	DC1
MT-044	0.75	180	3.9	1750	F	27	11.67	\$791	DC1
MT-034	1	90	10.4	1750	F	36	13.05	\$930	DC1
MT-037	1	180	5.2	1750	F	36	13.05	\$930	DC1

NEMA 145TC PMDC Motors

- Optional 90V ratings for both 1.5 Hp and 2.0 Hp ratings

Catalog Number	HP	Voltage	Current	Speed	INSUL Class	Torque	L Max	List Price	Multiplier
			(Amp)	(RPM)		(In/lbs)	(inches)		
MT-038	1.5	180	8	1750	F	54	15.6	\$1,151	DC1
MT-039	2	180	9.5	1750	F	72	16.5	\$2,093	DC1
MT-040	3	180	14	1750	F	108	18.7	\$2,930	DC1

NEMA 56 Dimensions



NEMA 145TC Dimensions

For detailed specifications, data sheets, drawings and performance curves visit <http://catalog.wegelectric.com>

Data subject to change without notice.

DC Motors

PERMANENT MAGNET DC MOTORS

M1600

The M1600 Series Permanent Magnet Motor features a compact 2.375" diameter design that provides continuous duty torque ratings.

Features

- High Energy Ceramic Magnets
- Double Shielded Ball Bearings
- Dynamically Balanced Armature
- Reversible Design
- 36" Cord
- TENV Design
- Square End Bells
- Externally Replaceable Brushes
- Auto-Hook Tang Type Commutator
- Optional Sleeve Bearings
- Value added options and modifications available
- 1/30 hp up to 1/8 hp
- Speeds up to 5000 rpm
- 12 up to 115 VDC
- 0.312" Maximum Shaft Diameter
- 1.00" Standard Pilot Diameter
- Class "F" Insulation



Catalog Number	Hp	Voltage	RPM	FLA	List Price	Multiplier
MH1601	1/20	90	1800	.61	\$258	DC1
ML1601	1/20	12	1800	4.50	\$228	DC1

M4000

The M4000 Series Permanent Magnet Motor offers the design engineer a great deal of flexibility in a 3.12" diameter motor. Continuous duty torque rating.

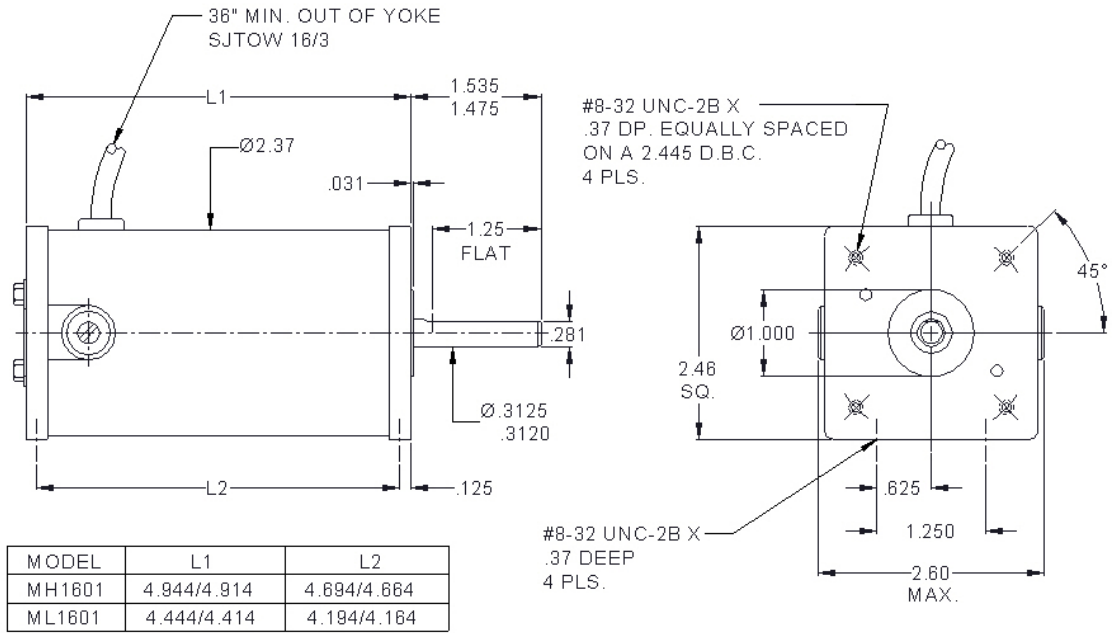
Features

- High Energy Ceramic Magnets
- Double Shielded Ball Bearings
- Dynamically Balanced Armature
- Reversible Design
- 36" Cord
- TENV Design
- Square End Bells
- Externally Replaceable Brushes
- Auto-Hook Tang Type Commutator
- Value added options and modifications available (1/30 hp up to 1/4 hp)
- Speeds up to 3500 rpm
- 12 up to 180 VDC
- 0.500" Maximum Shaft Diameter
- 2.015" Standard Pilot Diameter
- Class "F" Insulation

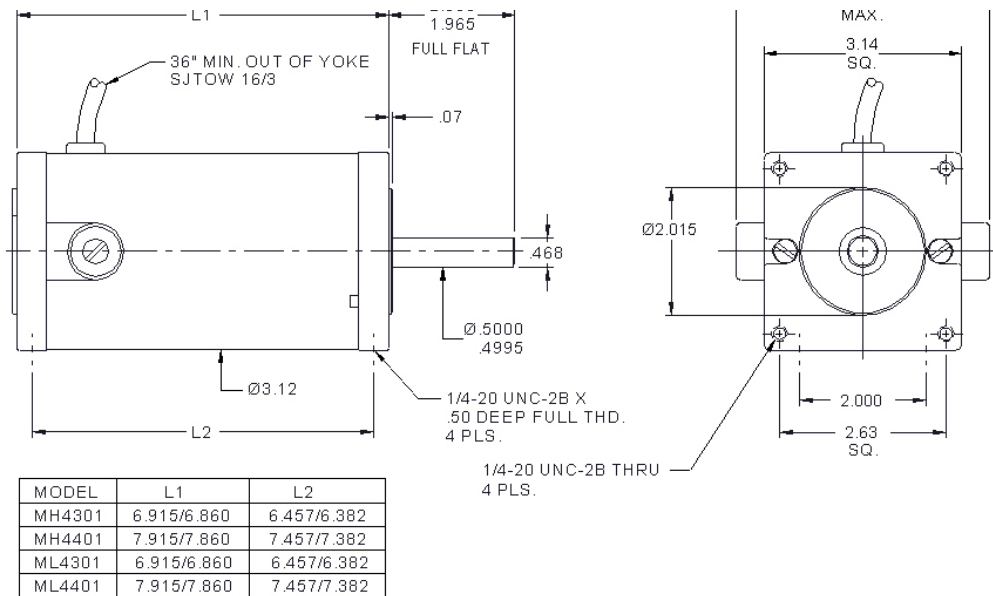


Catalog Number	Hp	Voltage	RPM	FLA	List Price	Multiplier
MH4301	1/8	90	1800	1.30	\$337	DC1
MH4401	1/6	90	1800	1.80	\$344	DC1
ML4301	1/8	12	1800	10.20	\$351	DC1
ML4401	1/6	12	1800	15.20	\$372	DC1

M1600 Dimensions



M4000 Dimensions



PARALLEL SHAFT GEARMOTORS

GIL100 Series

The GL100 Series Gearbox, when matched with the appropriate RAE motor, is a versatile parallel shaft, medium torque gearmotor offering long gear life in a reduced noise design.

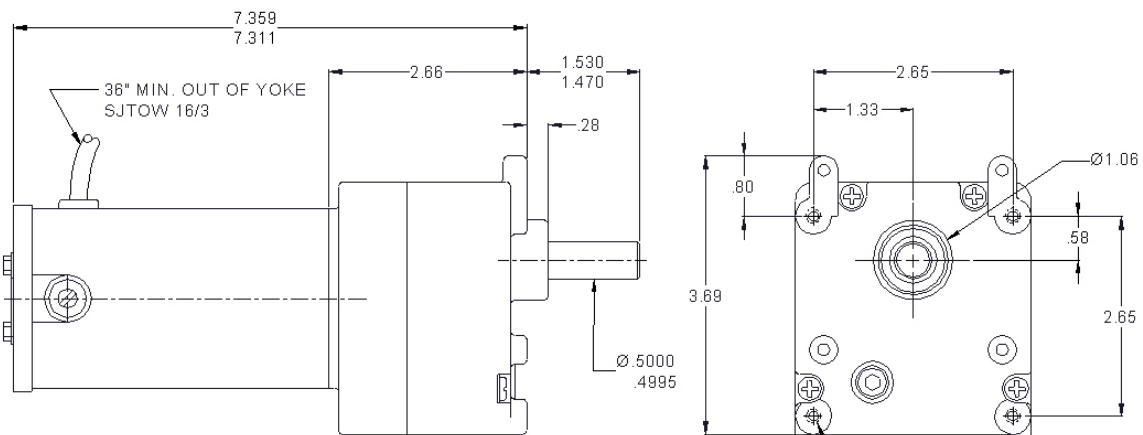
Features

- Gearbox Designed to AGMA Standards
- Oil Filled
- Needle Bearings (Gearbox)
- High Energy Ceramic Magnets
- Double Shielded Ball Bearings (Motor)
- Dynamically Balanced Armature
- Reversible Design
- 36" "Cord
- TENV Design
- Externally Replaceable Brushes
- Auto-Hook Tang Type Commutator
- Value Added Options and Modifications Available
- Rating up to 100 in-lbs
- Speeds up to 250 rpm
- 12 up to 115 VDC
- 16:1 up to 488:1 Ratios
- 0.500" Maximum Shaft Diameter
- Class "F" Insulation



Catalog Number	Gearmotor	Hp	Voltage	RPM	FLA	Ratios	FLT in-lbs	List Price	Multiplier
GH1001	Parallel	1/20	90	4	.20	488	100	\$470	DC1
GH1002	Parallel	1/20	90	6	.24	340	100	\$470	DC1
GH1003	Parallel	1/17	90	10	.30	172	100	\$470	DC1
GH1004	Parallel	1/17	90	40	.44	52	50	\$460	DC1
GH1005	Parallel	1/17	90	65	.46	31	30	\$460	DC1
GH1006	Parallel	1/17	90	90	.46	16	20	\$460	DC1

DC Motors and Gearmotors



GIL100 Dimensions

#10-32 UNF-2B X .38 DEEP FULL THD. 4 PLS.

GIL200

The GIL200 Series Gearbox, when matched with the appropriate RAE motor, provides high output torque in a compact, rugged diecast parallel shaft gearmotor design.

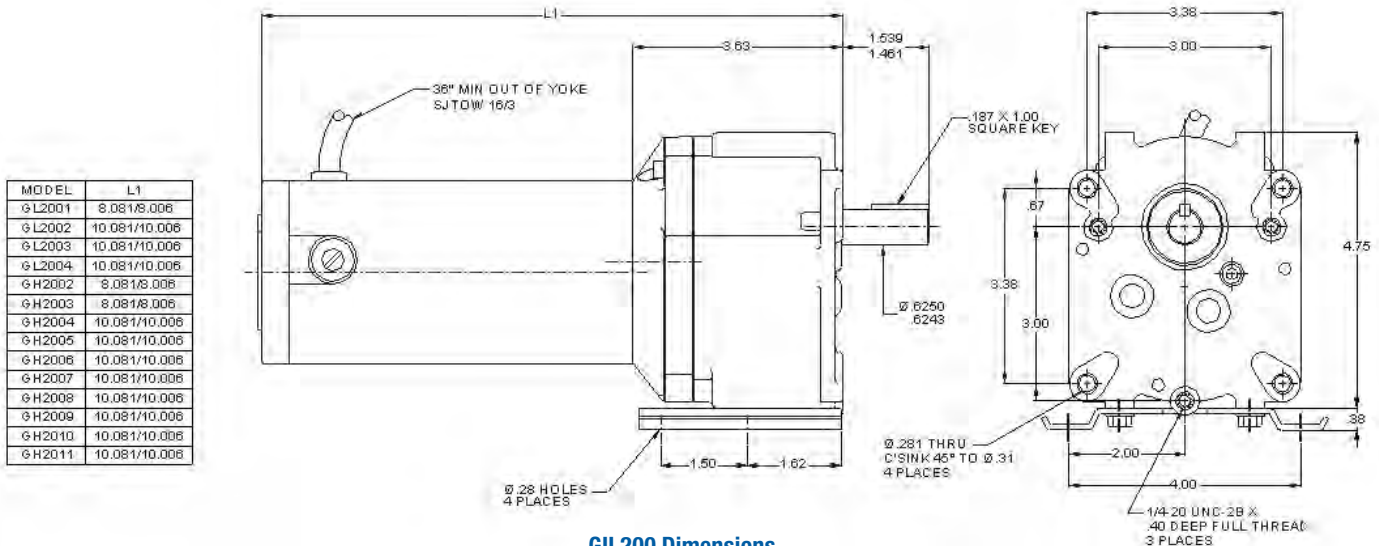
Features

- TENV Design
- Gearbox Designed to AGMA Standards
- Oil Lubrication
- Needle Bearings (Gearbox)
- Double Shielded Ball Bearings (Motor)
- Dynamically Balanced Armature
- Reversible Design
- Externally Replaceable Brushes
- Value Added Options and Modifications Available
- Rating up to 300 in-lbs
- 12 up to 180 VDC
- 5:1 up to 343:1 Ratios
- 0.625" Standard Shaft Diameter
- Class "F" Insulation



Catalog Number	Gearmotor	Hp	Voltage	RPM	FLA	Ratios	FLT in-lbs	List Price	Multiplier
GH2001	Parallel	1/20	90	6	0.59	343	290	\$651	DC1
GH2002	Parallel	1/20	90	9	0.75	202	268	\$651	DC1
GH2003	Parallel	1/20	90	18	0.8	103	150	\$651	DC1
GL2001	Parallel	1/20	12	6	3.89	343	290	\$656	DC1
GH2004	Parallel	1/8	90	21	1.3	88	280	\$656	DC1
GH2005	Parallel	1/8	90	26	1.58	69	280	\$663	DC1
GH2006	Parallel	1/8	90	32	1.5	58	220	\$663	DC1
GH2007	Parallel	1/8	90	54	1.51	34	138	\$663	DC1
GH2008	Parallel	1/8	90	61	1.42	30	113	\$653	DC1
GH2009	Parallel	1/8	90	91	1.58	20	86	\$653	DC1
GH2010	Parallel	1/8	90	165	1.57	11	47	\$653	DC1
GH2011	Parallel	1/8	90	364	1.55	5	21	\$667	DC1
GL2002	Parallel	1/8	12	31	12	58	220	\$667	DC1
GL2003	Parallel	1/8	12	61	11.4	30	113	\$658	DC1
GL2004	Parallel	1/8	12	163	12.6	11	47	\$658	DC1

DC Motors and Gearmotors



MODEL	L1
GL2001	8.0818.006
GL2002	10.081/10.006
GL2003	10.081/10.006
GL2004	10.081/10.006
GH2002	8.0818.006
GH2003	8.0818.006
GH2004	10.081/10.006
GH2005	10.081/10.006
GH2006	10.081/10.006
GH2007	10.081/10.006
GH2008	10.081/10.006
GH2009	10.081/10.006
GH2010	10.081/10.006
GH2011	10.081/10.006

For detailed specifications, data sheets, drawings and performance curves visit <http://www.weg.net>

Data subject to change without notice.

Can't find what you are looking for? Call 1-800-ASK-4WEG (275-4934)

RIGHT ANGLE GEARMOTORS

G33

The G33 Series Single Worm Reduction Right Angle Gearbox, when matched with the appropriate RAE motor: is designed for applications requiring high output torques and a dependable, rugged design.

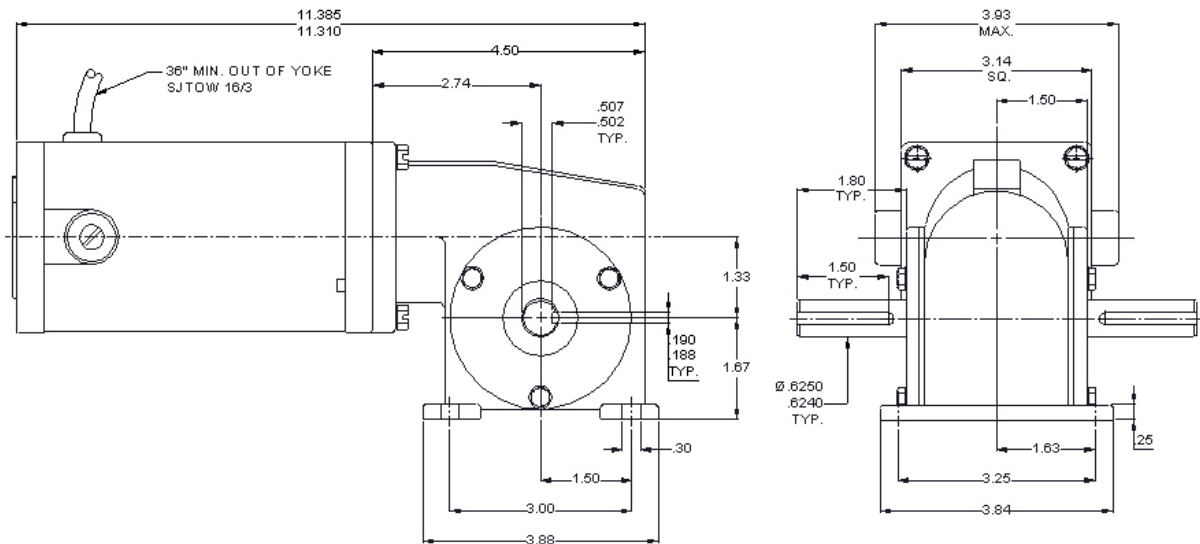
Features

- Lifetime Oil Lubrication
- Antifriction Bearings
- Foot Mounting
- High Energy Ceramic Magnets
- Dynamically Balanced Armature
- Externally Replaceable Brushes
- Auto-Hook Tang Type Commutator
- Value Added Options and Modifications Available
- Continuous Duty
- Rating up to 175 in- lbs
- Speeds up to 500 rpm
- 12 up to 180 VDC
- 5:1 up to 60:1 Ratios
- 0.625" Maximum Shaft Diameter
- Class "F" Insulation



Catalog Number	Gearmotor	Hp	Voltage	RPM	Ratios	FLA	FLT in-lbs	List Price	Multiplier
GH3301	Rt. Angle	1/8	90	42	60	1.76	88	\$581	DC1
GH3302	Rt. Angle	1/8	90	63	40	1.76	69	\$581	DC1
GH3303	Rt. Angle	1/8	90	126	20	1.76	43	\$581	DC1
GH3304	Rt. Angle	1/8	90	253	10	1.76	24	\$581	DC1
GH3305	Rt. Angle	1/8	90	510	5	1.76	13	\$581	DC1

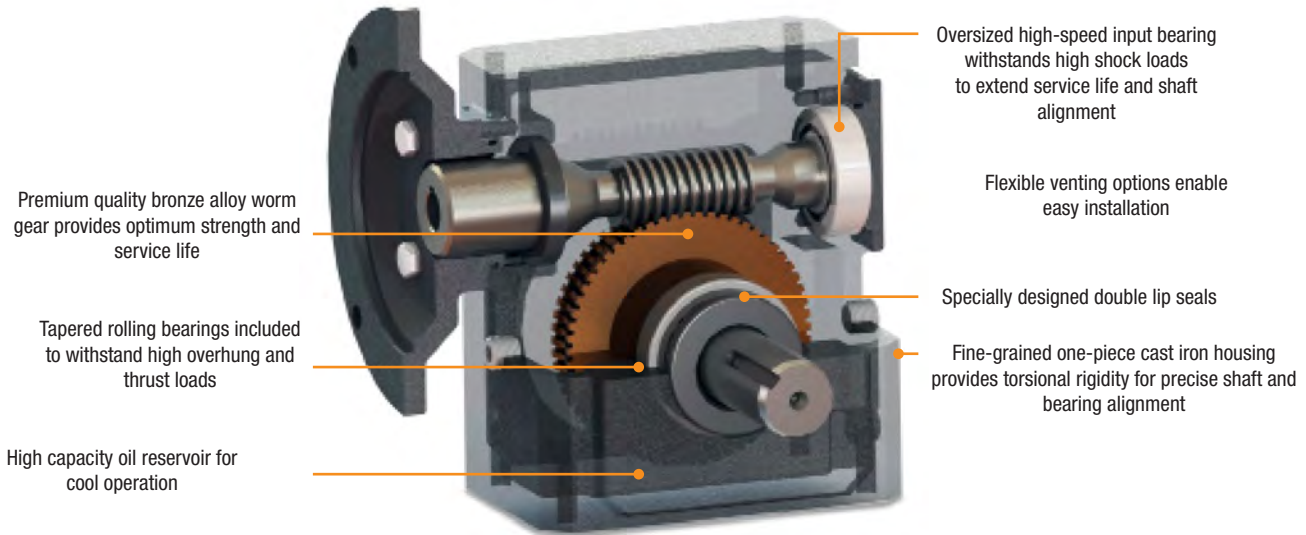
DC Motors and Gearmotors



G33 Dimensions

How to Order Information	A-288
TG-90™ Right Angle Gearmotor	A-289
Mechanical Data	A-290

WEG's TG Line of right angle gearmotors has been a leading source to the industry for over 60 years. Designed for reliability and long life, the TG-90 comes in a variety of power ranges and center distances. Our robust design is precision engineered and manufactured to fit a variety of applications. Ideal for use on conveyors, material handling, packaging machinery, lift gates and hoists, and many others, the TG-90 proves to be a versatile choice for your gearing needs.



Features:

- Grey Iron right angle worm-gear reducer construction
- Forged manganese bronze worm gear for added strength
- Oversized high-speed input bearing to withstand high shock loads
- Tapered roller bearings to withstand high overhung and thrust loads
- Specially designed double lip seals reduce oil leakage
- High capacity oil reservoir for guaranteed cool operation
- Max Output torques from 400 in. lbs. to 1435 in. lbs.
- 1.0 Service Factor
- Available in 56C, 143TC quill or solid shaft input mounting
- Eight gear ratios available from 5:1 to 60:1
- Select from single, double, or hollow output shaft options
- Left, right, or bottom mounting



C-Face Input/Shaft Output



C-Face or Shaft Input/
Hollow Bore Output



Shaft Input/Shaft Output

MODEL ORDERING NOMENCLATURE INFORMATION

OUTPUT SHAFT

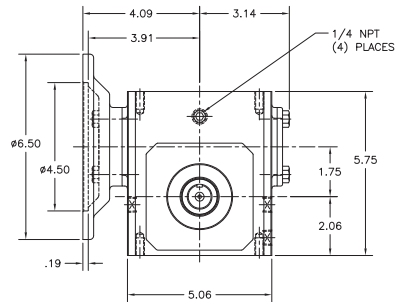
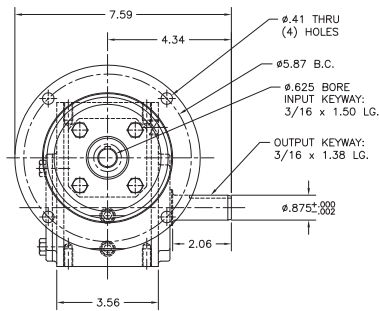
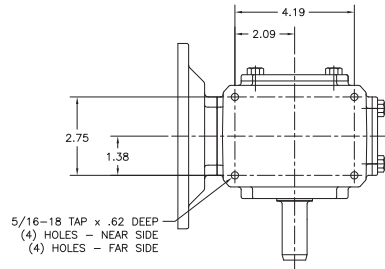
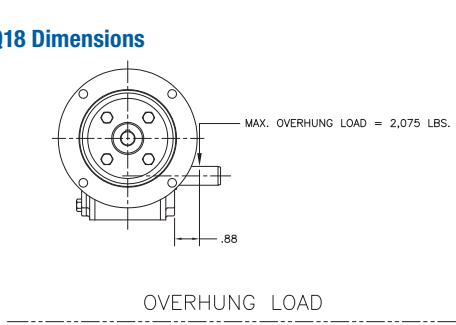
STYLE	SIZE	RATIO	ORIENTATION	MOTOR MOUNT	LUBRICATION	VENT
TQ - Quill Input	15 - 1.54" CD	5	L - Left Hand	56 -56C	N - No Oil	N - No Pressure Relief
TS- Shaft Input	18 - 1.75" CD	10	R - Right Hand	140 - 143-5TC	S - Synthetic	P - Pressure Relief
	21 - 2.06" CD	15	D - Double		L - Lube for Life	
	24 - 2.37" CD	20	H - Hollow			
		30				
		40				
		50				
		60				
TQ	21	60	L	56	S	P

Model	Output Shaft Diameter	Single Output Shaft Max. Overhung Load	Dual Output Shaft Max. Overhung Load	Single Hollow Output Max. Overhung Load	Dual Hollow Output Max. Overhung Load	Dual Hollow Output Max. Overhung Load
T15	.75"	1542	771	1472	736	736
T18	.875"	2075	1030	1400	700	700
T21	1.0"	1600	800	1100	550	550
T24	1.125"	1700	850	2100	1050	1050

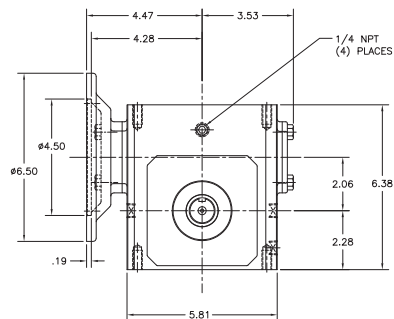
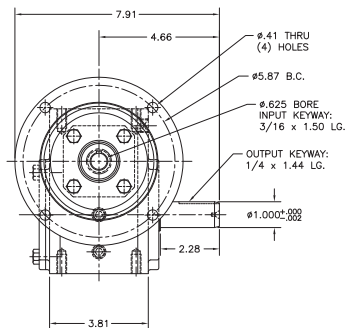
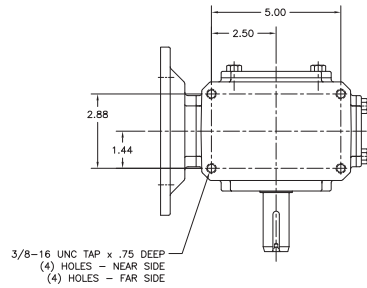
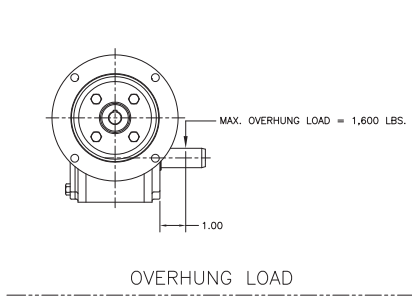
Nominal Output RPM @ 1750 RPM In	Gear Ratio	Continuous Duty Output Torque (In-Lbs) Based on 1750 RPM Motor								Max Input HP	Max Output Torque Rating In-Lbs	NEMA Motor Mount	Catalog Number	List Price	Multi. Symbol		
		0.25	0.33	0.5	0.75	1	1.5	2	3							5	
350	5:1					167	250	334			2.59	432	140TC	TQ155L140SP	\$481	TG	
						167	251	335			2.63	440	140TC	TQ185L140SP	\$498	TG	
							252	336	504			3.66	615	140TC	TQ215L140SP	\$551	TG
								336	505	841		5.35	900	140TC	TQ245L140SP	\$674	TG
175	10:1				240	321	481				1.94	622	140TC	TQ1510L140SP	\$472	TG	
					240	321	481				1.94	622	140TC	TQ1510R140SP	\$472	TG	
					245	327	491				1.62	530	140TC	TQ1810L140SP	\$488	TG	
					245	327	491				1.62	530	140TC	TQ1810R140SP	\$488	TG	
						327	490	653			2.48	810	140TC	TQ2110L140SP	\$551	TG	
						327	490	653			2.48	810	140TC	TQ2110R140SP	\$551	TG	
							492	656	985			3.58	1175	140TC	TQ2410L140SP	\$640	TG
							492	656	985			3.58	1175	140TC	TQ2410R140SP	\$640	TG
117	15:1			230	345	460					1.45	667	56C	TQ1515L56SP	\$467	TG	
				236	353	471					1.22	575	56C	TQ1815L56SP	\$484	TG	
					355	474	711				1.9	900	56C	TQ2115L56SP	\$533	TG	
						475	712	950			2.78	1320	56C	TQ2415L56SP	\$674	TG	
88	20:1			294	442	589					1.16	683	56C	TQ1520L56SP	\$465	TG	
				294	442	589					1.16	683	56C	TQ1520R56SP	\$465	TG	
				303	454	606					1.04	630	56C	TQ1820L56SP	\$479	TG	
				303	454	606					1.04	630	56C	TQ1820R56SP	\$479	TG	
					455	607	910				1.59	965	56C	TQ2120L56SP	\$581	TG	
					455	607	910				1.59	965	56C	TQ2120R56SP	\$581	TG	
						612	917	1223			2.33	1425	56C	TQ2420L56SP	\$674	TG	
						612	917	1223			2.33	1425	56C	TQ2420R56SP	\$674	TG	
44	40:1	250	330	500							0.68	680	56C	TQ1540L56SP	\$488	TG	
		250	330	500							0.68	680	56C	TQ1540R56SP	\$488	TG	
		265	349	529							0.6	635	56C	TQ1840L56SP	\$500	TG	
		265	349	529							0.6	635	56C	TQ1840R56SP	\$500	TG	
			350	530	795						0.92	975	56C	TQ2140L56SP	\$570	TG	
			350	530	795						0.92	975	56C	TQ2140R56SP	\$570	TG	
				535	803	1071					1.34	1435	56C	TQ2440L56SP	\$674	TG	
				535	803	1071					1.34	1435	56C	TQ2440R56SP	\$674	TG	
29	60:1	324	428								0.48	623	56C	TQ1560L56SP	\$465	TG	
		324	428								0.48	623	56C	TQ1560R56SP	\$465	TG	
		347	458								0.45	625	56C	TQ1860L56SP	\$500	TG	
		347	458								0.45	625	56C	TQ1860R56SP	\$500	TG	
		351	463	701							0.67	940	56C	TQ2160L56SP	\$570	TG	
		351	463	701							0.67	940	56C	TQ2160R56SP	\$570	TG	
			473	717	1076						0.99	1420	56C	TQ2460L56SP	\$698	TG	
			473	717	1076						0.99	1420	56C	TQ2460R56SP	\$698	TG	

1) All data is operating based on a 1.0 Service Factor with a 1750 RPM input speed.

TQ18 Dimensions

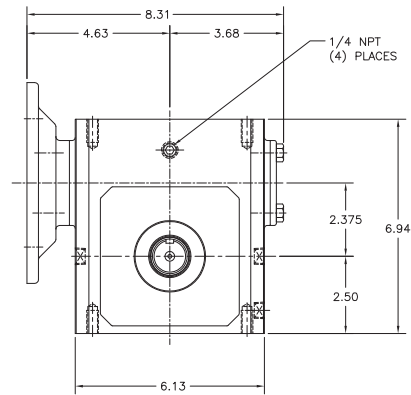
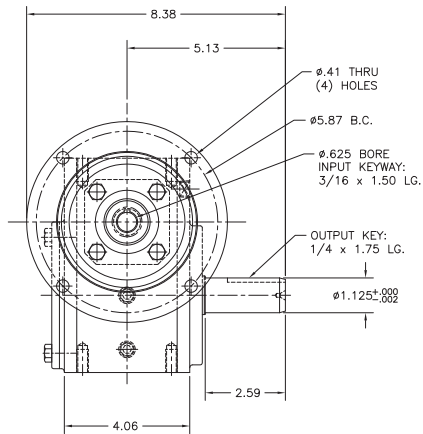
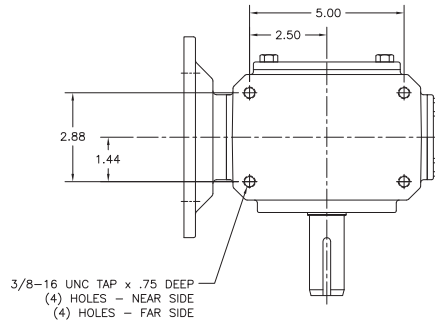
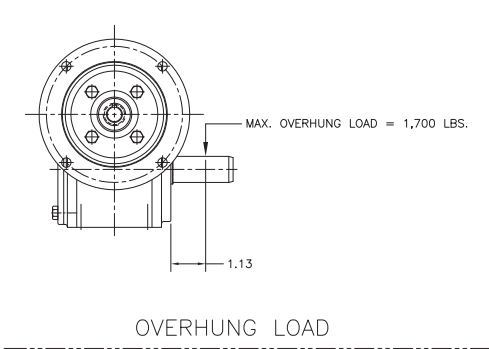


TQ21 Dimensions



TOLEDO GEARMOTOR CO.	
T18 REDUCER	
OUTLINE	
SURFACE FINISH (UNLESS OTHERWISE NOTED) 125	SCALE: 1/2
MIN. AL. SHARP CORNERS	PART NO.:
TOLERANCE (UNLESS OTHERWISE NOTED)	DATE: 03/24/15
3 PLACE DEC. ±0.005	DRWN BY: PA/MW
2 PLACE DEC. ±0.010	DRAWING NO. TQ18 OUTLINE
ANGLES ± 1/2°	REV

TQ24 Dimensions



SURFACE FINISH (UNLESS OTHERWISE INDICATED)		TOLEDO GEARMOTOR CO.	
125 / V		T24 REDUCER	
BREAK ALL SHARP CORNERS		OUTLINE	
TOLERANCE (UNLESS OTHERWISE INDICATED)		SCALE: 1/2	PART NO.:
3 PLACE DEC. ±.005		DATE: 03/24/15	DRWN BY: PA/MW
2 PLACE DEC. ±.010		DRAWING NO. TQ24 OUTLINE	
ANGLES ± 1/2°			

(for full line of products see WEG's Automation Catalogs)

CFW300 Variable Frequency Drive.	A-295
CFW500 Variable Frequency Drive.	A-300
CFW700 Variable Frequency Drive.	A-307
CFW08 Wash - Washdown Duty VFD.	A-317
EDP11 - Enclosed VFD Panel.	A-323
EDP11 - Enclosed VFD Panel - Dimensions	A-331
GPH2 - Combination Soft Starter	A-335
GPH2 - Combination Soft Starter - Dimensions	A-339
ESW Non-Combination Across the Line Starters - Enclosure Type 1	A-345
ESWS Starters and Field Mod Kits	A-346
ESW Wiring Diagram and Dimensions	A-347
PESW Non-Combination Across the Line Starters - Enclosure Type 4X.	A-348
PESW Wiring Diagram and Dimensions	A-350
ESWC Combination Type-C Across the Line Starter without CPT	A-353
ESWC Combination Type-C Across the Line Starter with CPT.	A-354
ESWE Combination Type-E Across the Line Starter Enclosure Type 4X - without CPT.	A-355
ESWE Combination Type-E Across the Line Starter Enclosure Type 4X - with CPT	A-355
ESWF Combination Type-F Across the Line Starter Enclosure Type 4/12 - without CPT	A-356
ESWF Combination Type-F Across the Line Starter Enclosure Type 4/12 - with CPT.	A-357
Dimensional Data	A-358
ESWX-M16 Series Explosion Proof Manual Motor Starters.	A-361
ESWX-M25 Series Explosion Proof Manual Motor Starters.	A-362
ESWX-M65 Series Explosion Proof Manual Motor Starters.	A-362
ESWX-M100 Series Explosion Proof Manual Motor Starters.	A-362
Accessories	A-363
ESWX NEMA 7/9 Series Explosion Proof Manual Motor Starters.	A-364
ESWX Dimensional Data	A-365
Custom Control Panels Data Worksheet and Request for Quote	A-368
Medium Voltage Starters	
SSW7000 - 2300V and 4160V	A-371
SSW7000 Options.	A-372
SSW7000 Dimensions	A-372
SSW7000 Technical Data	A-374

Variable
Frequency
Drives and
Enclosed Motor
Controls

The CFW300 variable frequency drive is a high-performance VFD for three-phase induction motors. It is ideal for applications on machines or equipment that require precise control with easy setup and operation.

The CFW300 features a compact size with contactor-style electrical connections (top in / bottom out). The VFD's performance can be scaled to match the application by selecting WEG vector control (VVW) or scalar control (V/F). The CFW300 includes built-in operator interface (HMI) and SoftPLC with free WPS programming software for custom tailored control schemes. A variety of plug-in option modules for additional I/O and communications protocols may be added to provide extended capabilities, making the CFW300 a flexible and cost effective solution for your variable speed requirements.



Standard Features

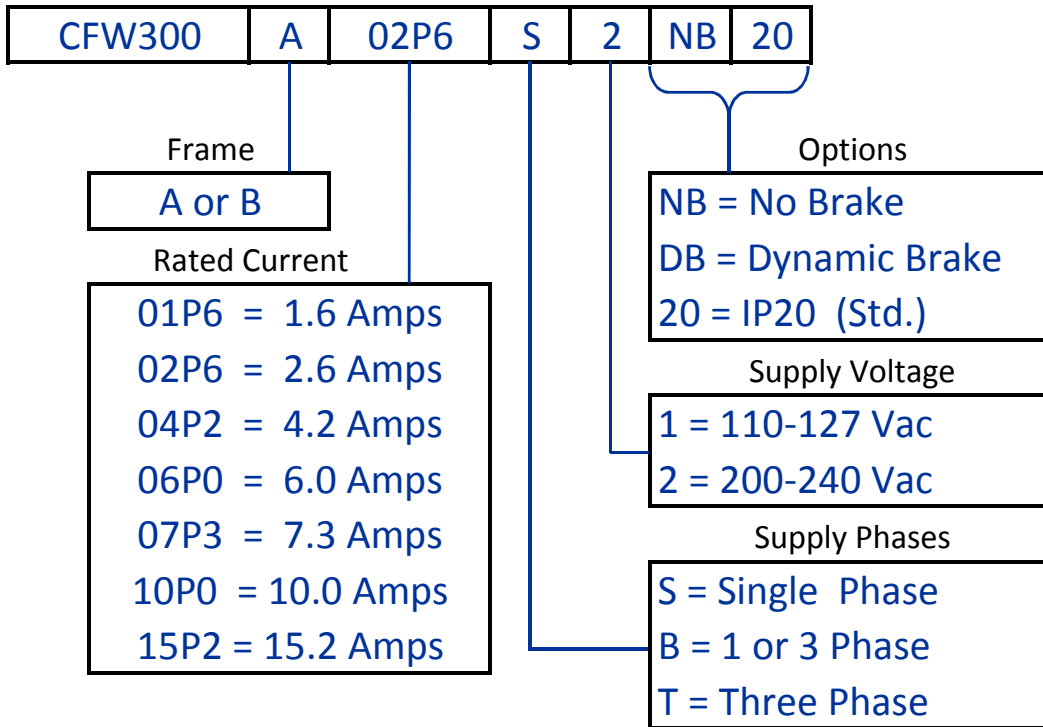
- Single and three-phase voltage supply
- Din rail or surface mounting with screws
- Voltage range: • 110-127 Vac and 200-240 Vac for single-phase models
- 200-240 Vac for three-phase models
- Current / Power range: up to 15.2 Amps / 3.7 kW (5 HP)
- Control mode: Scalar (V/Hz) or Voltage Vector (VVW)
- Switching frequency: 2.5, 5, 10 or 15kHz
- Overload capacity: 150% for 60 sec. every 10min, 200% for 3 sec. every 10min.
- Degree of protection: IP20
- Operating temperature: 14 • 122°F (50°C); up to 140°F (60°C) with current derating (2% per 1°C above 50°C)
- Altitude: 0 • 3300 ft. (1000m); up to 13,200 ft. (4000m) with current derating (1% per 100m above 1000m)
- Humidity: 5 to 95% non-condensing
- Integrated brake chopper for frame size B (not available for size A)
- Local keypad supplied as standard

Variable
Frequency
Drives and
Enclosed Motor
Controls

Applications

- Centrifugal pumps
- Fans / Blowers
- Blenders / Mixers
- Centrifuges
- Compressors
- Conveyors
- Roller Tables
- Granulators
- Commercial Dryers
- Rotary Filters

CFW300 Catalog Number Sequence



IP20 Enclosure

Motor Voltage	Motor HP ¹	Drive Output Amps ²	Catalog Number	Braking Transistor	Frame Size	Dimensions (in.) HxWxD	Approx. Weight Lbs. (kg)	List Price	Multiplier Symbol	
230 Vac / 3 Phase	Input Power Supply: Single-Phase 110-127 Vac									
	1/4 or 1/3	1.6	CFW300A01P6S1NB20	No	A	6.3 x 2.8 x 5.9	2.0 (0.9)	\$361	V1	
	3/4	2.6	CFW300A02P6S1NB20	No	A	6.3 x 2.8 x 5.9	2.0 (0.9)	\$394	V1	
	1	4.2	CFW300A04P2S1NB20	No	A	6.3 x 2.8 x 5.9	2.0 (0.9)	\$420	V1	
	2	6.0	CFW300A06P0S1NB20	No	A	6.3 x 2.8 x 5.9	2.0 (0.9)	\$507	V1	
	Input Power Supply: Single-Phase 200-240 Vac									
	1/4 or 1/3	1.6	CFW300A01P6S2NB20	No	A	6.3 x 2.8 x 5.9	2.0 (0.9)	\$323	V1	
	3/4	2.6	CFW300A02P6S2NB20	No	A	6.3 x 2.8 x 5.9	2.0 (0.9)	\$348	V1	
	1	4.2	CFW300A04P2S2NB20	No	A	6.3 x 2.8 x 5.9	2.0 (0.9)	\$371	V1	
	2	6.0	CFW300A06P0S2NB20	No	A	6.3 x 2.8 x 5.9	2.0 (0.9)	\$461	V1	
	2	7.3	CFW300A07P3S2NB20	No	A	6.3 x 2.8 x 5.9	2.0 (0.9)	\$543	V1	
	3	10.0	CFW300B10P0B2DB20 ³	Yes	B	8.1 x 2.8 x 6.3	3.0 (1.4)	\$648	V1	
	Input Power Supply: Three-Phase 200-240 Vac									
	1/4 or 1/3	1.6	CFW300A01P6T2NB20	No	A	6.3 x 2.8 x 5.9	2.0 (0.9)	\$343	V1	
	3/4	2.6	CFW300A02P6T2NB20	No	A	6.3 x 2.8 x 5.9	2.0 (0.9)	\$376	V1	
	1	4.2	CFW300A04P2T2NB20	No	A	6.3 x 2.8 x 5.9	2.0 (0.9)	\$399	V1	
	2	6.0	CFW300A06P0T2NB20	No	A	6.3 x 2.8 x 5.9	2.0 (0.9)	\$484	V1	
	2	7.3	CFW300A07P3T2NB20	No	A	6.3 x 2.8 x 5.9	2.0 (0.9)	\$571	V1	
	3	10.0	CFW300B10P0B2DB20 ³	Yes	B	8.1 x 2.8 x 6.3	3.0 (1.4)	\$648	V1	
	5	15.2	CFW300B15P2T2DB20	Yes	B	8.1 x 2.8 x 6.3	3.0 (1.4)	\$792	V1	

Notes:

- 1) "HP" rating based on "average FLA values". Use as a guide only.
- 2) Motor FLA may vary with speed and manufacturer. ALWAYS compare motor FLA to Nominal AMPS of drive.
- 3) CFW300B10P0B2DB20 is capable of Single-Phase input without derating. For other technical data please refer to WEG product manual.

Options and Accessories¹

Type	CATALOG NUMBER	Description	Approx. Wt. (lbs.)	List Price	Multiplier Symbol
I/O ²	CFW300-IOAR	I/O Expansion Module; 1 AI, 1 AO, 3 DOR, +10vdc	0.2	\$141	V1
I/O ²	CFW300-IODR	I/O Expansion Module; 4 DI, 3 DOR	0.2	\$108	V1
I/O ²	CFW300-IOAENC	I/O and Encoder Module; 1 AI, 2 AO, +10vdc, 1 Incremental Encoder Input, +5vdc	0.2	\$143	V1
I/O ²	CFW300-IOADR	I/O Expansion Module; 1 NTC Sensor Input, 3 DOR	0.2	\$207	V1
RS485 Card	CFW300-CRS485	RS-485 Module; 1 RS-485 Input (Modbus-RTU), 1 Mini USB for Remote Keypad	0.2	\$82	V1
USB Card	CFW300-CUSB	USB Communication Module w/ 2-meter Cable; 1 Mini USB	0.2	\$87	V1
RS232 Card	CFW300-CRS232	RS-232 Communication Module (Modbus-RTU); 1 RS232	0.2	\$82	V1
CANopen Card	CFW300-CCAN	CANopen/DeviceNet Comm. Module; 1 CAN/DeviceNet, External 24vdc Power	0.2	\$100	V1
Profibus DP Card	CFW300-CPDP	Profibus DP Communication Module; 1 Profibus DP 9-Pin Connector	0.2	\$294	V1
Remote Keypad	CFW300-KHMIR	Remote Keypad; Includes CFW300-CRS485 and 3-meter Cable	0.4	\$256	V1
Flash Memory Module	CFW300-MMF	Flash Memory Module for saving program and parameters to/from drive.	0.2	\$210	V1
RFI Filter Kit – Fr. A	CFW300-KFA	CFW300 RFI Filter Kit – Frame Size A - SINGLE PHASE INPUT MODELS ONLY	0.3	\$90	V1
RFI Filter Kit – Fr. B	CFW300-KFB	CFW300 RFI Filter Kit – Frame Size B - SINGLE PHASE INPUT MODELS ONLY	0.3	\$105	V1

Notes:

- 1) Up to Qty. (1) I/O Expansion Module plus Qty. (1) Communication Module can be added to the CFW300 VFD.
- 2) Option card I/O is in addition the standard CFW300 I/O which includes: 4 DI, 1 AI, 1 DOR.

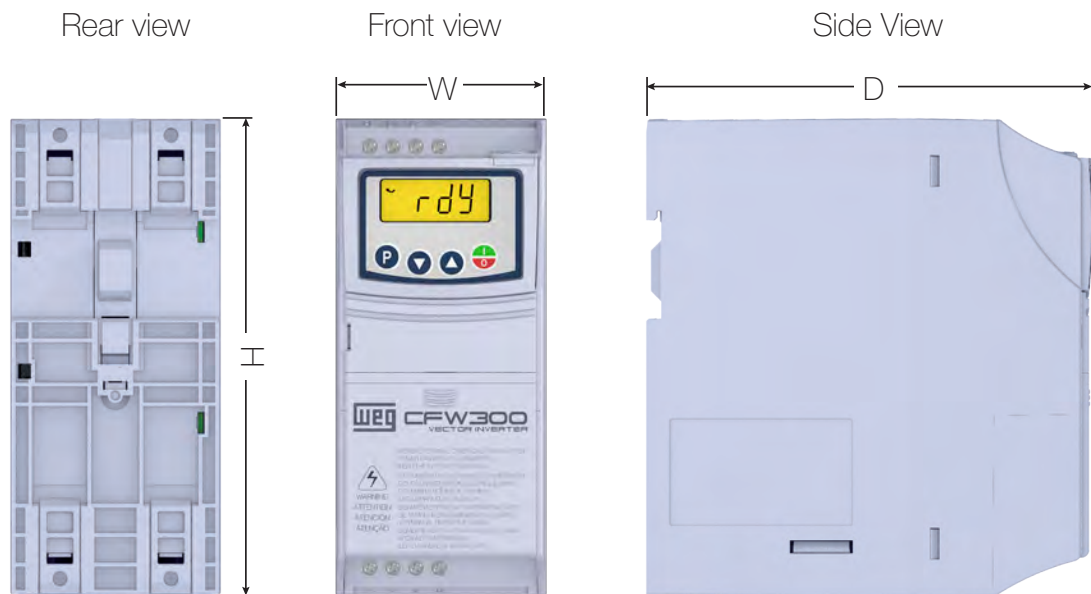
CFW300

Option Card and I/O Table

CFW 300 Option Modules	DI ¹	AI	AO	DOR	Encoder	Infrared	RS485	RS232	USB	CANopen	Profibus-DP
CFW300-IOAR	4	1	1	3							
CFW300-IODR	4 + 4			3							
CFW300-IOAENC	4	1	2		1						
CFW300-IOADR	4	1		3		1					
CFW300-CRS485	4						1				
CFW300-CRS232	4							1			
CFW300-CUSB	4								1		
CFW300-CCAN	4									1	
CFW300-CPDP											1

Notes: 1) CFW300 Drive includes 4DI as standard. Option Modules provide suplimental I/O as shown in this table.

Dimensions



Frame Size IP20	Height in. (mm)	Width in. (mm)	Depth in. (mm)	Weight Lbs. (kG)
A (w/o RFI)	6.3 (157.9)	2.8 (70.0)	5.9 (148.4)	2.0 (0.9)
A (w/RFI)	7.8 (196.0)	2.8 (70.0)	7.5 (190.1)	2.9 (1.3)
B (w/o RFI)	8.1 (198.9)	2.8 (70.0)	6.3 (158.4)	3.0 (1.4)
B (w/ RFI)	9.4 (237.0)	2.8 (70.0)	7.9 (200.1)	4.0 (1.8)

Variable Frequency Drives and Enclosed Motor Controls

Technical Data

Power Supply	Voltage	Single Phase	110-127 Vac (+10%, -15%)
		Single Phase or Three Phase	200-240 Vac (+10%, -15%)
	Frequency	50 / 60Hz +/- 2Hz	
Output	Voltage	0-230 Vac Three Phase	
	Frequency	0-400 Hz, 0.1Hz Resolution	
Control	Control Modes	Volts per Hertz (Scalar)	
		Sensorless Voltage Vector	
		Sinusoidal PWM (Space Vector Modulation)	
	Switching Frequency	2.5, 5, 10 or 15kHz	
	Frequency Range	0-400 Hz	
	Overload Capacity	150% for 60 seconds, repeatable every 10 min.	
Control Inputs	4 programmable isolated digital inputs, NPN or 24Vdc logic (PNP)		
	1 programmable differential analog input; programmable for current or voltage		
Control Outputs	1 programmable relay output: One NO/NC (Form C) 250 Vac / 0.5 A		
Communication	Field Bus	Optional modules for RS-485, RS-232, CANopen, DeviceNet, Profibus-DP, USB	
Safety	Protections	Motor over current	DC link over voltage
		Motor overload	DC link under voltage
		Output phase-to-phase short circuit	Drive over temperature
		Output phase-to-ground short circuit	External fault
		Programming error	
Enclosure	Degree of Protection	IP20	
	Mounting	Surface mounting with screws or DIN rail mounting	
Ambient	Temperature	14 - 122°F (50°C), up to 140°F (60°C) with 2% / 1.8°F (1°C) output current derating	
	Humidity	5-95% Non Condensing	
	Altitude	0-3300 ft (1000m) Up to 13,200 ft (4000m) with 1% / 330ft (100m) output current derating	
Regulatory Conformance	EMC Directive 89 / 336 / EEC	Electromagnetic compatibility – Industrial Environment EMC Emission and Immunity with optional filter	
	ENC61800-2, 3, 5-1 ENC61800-4-2, 3, 4, 5, 6		
	LVD 73/23/EEC	Low Voltage Directive	
	UL 508C, UL 840, UL 50	Electrical Equipment standards	
Special Functions	Linear and “S” ramp accel and decel, local/remote control, FWD/REV selection, DC braking, manual and auto torque boost, motor slip compensation, electronic pot, two skip frequencies, maximum and minimum adjustable frequency limits, adjustable output current		
Keypad	4 digit LCD display and 4 keys		
	Readouts for: output frequency (Hz), output current (A), output voltage (V), motor torque (%) in vector mode, DC bus voltage (V), value proportional to frequency (Ex.: RPM), fault and status messages		

Variable Frequency Drives and Enclosed Motor Controls

CFW500

Developed for fast commissioning, the CFW500 VFD is perfect for machines. Extremely compact and cost-effective, it meets the needs of machine manufacturers, system integrators, panel installers and users. The CFW500 has advanced technology plug and play options, developed for fast commissioning, providing great flexibility and competitive advantage while offering excellent performance and reliability. Designed for exclusively industrial or professional use, perfect for OEM, system integrators, panel installers and End Users providing great benefit from the added value.

Standard Features

- Compatible - wide range of accessories
- Single and Three phase input voltage
- 200 - 240v, 380 - 480v or 500 - 600v in put range
- v/hz and sensorless vector control
- Flexible - application functions
- Robust - 150% overload for one minute
- Efficient - provides optimal speed for production
- Reliable - 100% are tested with rated load at the factory
- Integrable - Fieldbus networks



Applications

- Centrifugal pumps
- Compressors
- Process dosing pumps
- Fans/ventilators
- Mixers/blenders
- Commercial dryers
- Extruders
- Conveyor belts
- Elevators
- General machinery

CFW500 Catalog Number Sequence

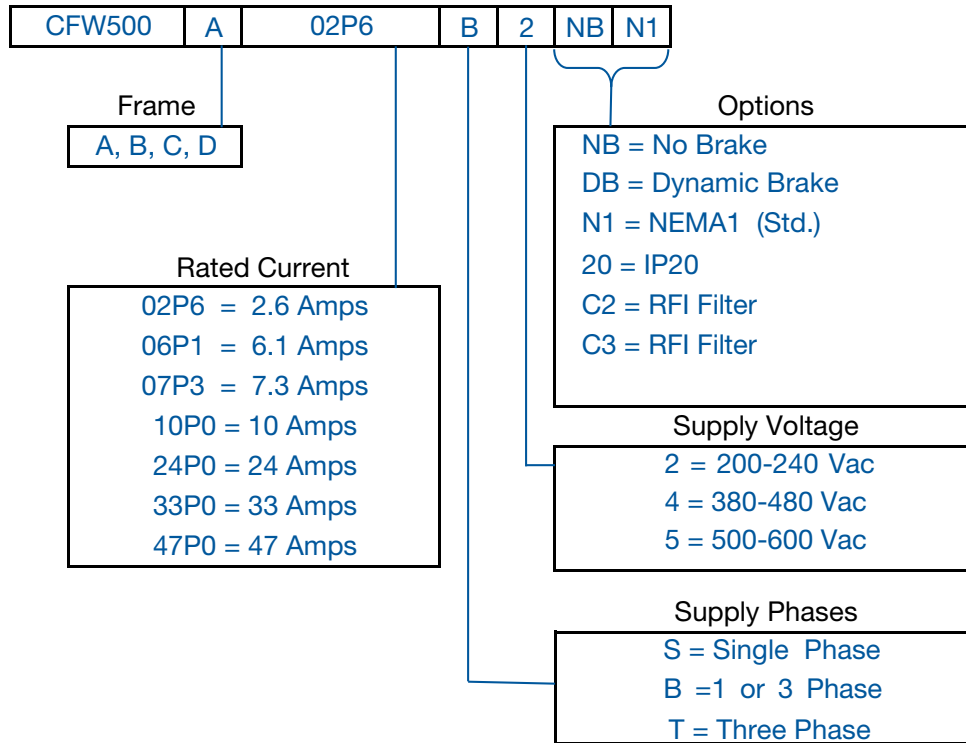


Table intended as reference and not to create part numbers.

CFW500

IP20 Finger Safe Enclosure

Motor Voltage	Motor HP ¹	Drive Amps ²	Catalog Number	Braking Transistor	Frame Size	Dimensions (in.) HxWxD	Approx. Weight (lbs.)	List Price	Multiplier	
230 Vac/3 Phase	Input Power Supply: Single-Phase 200-240 Vac									
	1/3	1.6	CFW500A01P6S2NB20	No	A	7.5 x 3.0 x 5.9	1.8	\$451	V1	
	3/4	2.6	CFW500A02P6S2NB20	No	A	7.5 x 3.0 x 5.9	1.8	\$463	V1	
	1 1/2	4.3	CFW500A04P3S2NB20	No	A	7.5 x 3.0 x 5.9	1.8	\$499	V1	
	2	7.3	CFW500A07P0S2NB20	No	A	7.5 x 3.0 x 5.9	1.8	\$633	V1	
	Input Power Supply: Single or Three-Phase 200-240 Vac									
	1/3	1.6	CFW500A01P6B2NB20	No	A	7.5 x 3.0 x 5.9	1.8	\$456	V1	
	3/4	2.6	CFW500A02P6B2NB20	No	A	7.5 x 3.0 x 5.9	1.8	\$467	V1	
	1 1/2	4.3	CFW500A04P3B2NB20	No	A	7.5 x 3.0 x 5.9	1.8	\$506	V1	
	2	7.3	CFW500B07P3B2DB20	Yes	B	7.9 x 4.0 x 6.3	2.6	\$678	V1	
	3	10.0	CFW500B10P0B2DB20	Yes	B	7.9 x 4.0 x 6.3	2.6	\$789	V1	
	Input Power Supply: Three-Phase 200-240 Vac									
	2	7.0	CFW500A07P0T2NB20	No	A	7.5 x 3.0 x 5.9	1.8	\$628	V1	
	3	9.6	CFW500A09P6T2NB20	No	A	7.5 x 3.0 x 5.9	1.8	\$773	V1	
	5	16	CFW500B16P0T2DB20	Yes	B	7.9 x 4.0 x 6.3	2.6	\$842	V1	
	7 1/2	24	CFW500C24P0T2DB20	Yes	C	8.3 x 5.3 x 6.5	4.4	\$1,427	V1	
	10	28	CFW500D28P0T2DB20	Yes	D	12.1 x 7.1 x 6.6	9.5	\$1,777	V1	
	10	33	CFW500D33P0T2DB20	Yes	D	12.1 x 7.1 x 6.6	9.5	\$2,146	V1	
	15	47	CFW500D47P0T2DB20	Yes	D	12.1 x 7.1 x 6.6	9.5	\$2,910	V1	
	20	56	CFW500E56P0T2DB20	Yes	E	13.8 x 8.7 x 7.6	22.1	\$3,380	V1	
460 Vac/3 Phase	Input Power Supply: Three-Phase 380-480 Vac									
	1/2	1.0	CFW500A01P0T4NB20	No	A	7.5 x 3.0 x 5.9	1.8	\$582	V1	
	1	1.6	CFW500A01P6T4NB20	No	A	7.5 x 3.0 x 5.9	1.8	\$604	V1	
	2	2.6	CFW500A02P6T4NB20	No	A	7.5 x 3.0 x 5.9	1.8	\$649	V1	
	3	4.3	CFW500A04P3T4NB20	No	A	7.5 x 3.0 x 5.9	1.8	\$799	V1	
	3	6.1	CFW500A06P1T4NB20	No	A	7.5 x 3.0 x 5.9	1.8	\$982	V1	
	2	2.6	CFW500B02P6T4DB20	Yes	B	7.9 x 4.0 x 6.3	2.6	\$708	V1	
	3	4.3	CFW500B04P3T4DB20	Yes	B	7.9 x 4.0 x 6.3	2.6	\$892	V1	
	5	6.5	CFW500B06P5T4DB20	Yes	B	7.9 x 4.0 x 6.3	2.6	\$1,067	V1	
	7 1/2	10	CFW500B10P0T4DB20	Yes	B	7.9 x 4.0 x 6.3	2.6	\$1,207	V1	
	10	14	CFW500C14P0T4DB20	Yes	C	8.3 x 5.3 x 6.5	4.4	\$1,495	V1	
	10	16	CFW500C16P0T4DB20	Yes	C	8.3 x 5.3 x 6.5	4.4	\$1,684	V1	
	15	24	CFW500D24P0T4DB20	Yes	D	12.1 x 7.1 x 6.6	9.5	\$2,229	V1	
	25	31	CFW500D31P0T4DB20	Yes	D	12.1 x 7.1 x 6.6	9.5	\$2,783	V1	
	30	39	CFW500E39P0T4DB20	Yes	E	13.8 x 8.7 x 7.6	22.1	\$3,346	V1	
	40	49	CFW500E49P0T4DB20	Yes	E	13.8 x 8.7 x 7.6	22.1	\$4,214	V1	
	575 Vac ³ /3 Phase	Input Power Supply: Three-Phase 500-600 Vac								
1 1/2		1.7	CFW500C01P7T5DB20	Yes	C	8.3 x 5.3 x 6.5	4.4	\$910	V1	
3		3.0	CFW500C03P0T5DB20	Yes	C	8.3 x 5.3 x 6.5	4.4	\$954	V1	
3		4.3	CFW500C04P3T5DB20	Yes	C	8.3 x 5.3 x 6.5	4.4	\$1,073	V1	
7 1/2		7.0	CFW500C07P0T5DB20	Yes	C	8.3 x 5.3 x 6.5	4.4	\$1,276	V1	
10		10.0	CFW500C10P0T5DB20	Yes	C	8.3 x 5.3 x 6.5	4.4	\$1,621	V1	
10	12.0	CFW500C12P0T5DB20	Yes	C	8.3 x 5.3 x 6.5	4.4	\$1,813	V1		

Notes:

- 1) "HP" rating based on "average FLA values". Use as a guide only.
- 2) Motor FLA may vary with speed and manufacturer. ALWAYS compare motor FLA to Nominal AMPS of drive.
- 3) All 575V drives are non-stocked items. Consult WEG for availability. For other technical data please refer to WEG product manual.

Variable Frequency Drives and Enclosed Motor Controls



NEMA 1 Enclosure

Motor Voltage	Motor HP ¹	Drive Amps ²	Catalog Number	Braking Transistor	Frame Size	Dimensions (in.) HxWxD	Approx. Weight (lbs.)	List Price	Multiplier	
230 Vac/3 Phase	Input Power Supply: Single-Phase 200-240 Vac									
	1/3	1.6	CFW500A01P6S2NBN1	No	A	8.8 x 3.0 x 5.9	2.4	\$451	V1	
	3/4	2.6	CFW500A02P6S2NBN1	No	A	8.8 x 3.0 x 5.9	2.4	\$463	V1	
	1 1/2	4.3	CFW500A04P3S2NBN1	No	A	8.8 x 3.0 x 5.9	2.4	\$499	V1	
	2	7.0	CFW500A07P0S2NBN1	No	A	8.8 x 3.0 x 5.9	2.4	\$633	V1	
	Input Power Supply: Single or Three-Phase 200-240 Vac									
	1/3	1.6	CFW500A01P6B2NBN1	No	A	8.8 x 3.0 x 5.9	2.4	\$456	V1	
	3/4	2.6	CFW500A02P6B2NBN1	No	A	8.8 x 3.0 x 5.9	2.4	\$467	V1	
	1 1/2	4.3	CFW500A04P3B2NBN1	No	A	8.8 x 3.0 x 5.9	2.4	\$506	V1	
	2	7.3	CFW500B07P3B2DBN1	Yes	B	9.6 x 3.9 x 6.3	3.3	\$678	V1	
	3	10.0	CFW500B10P0B2DBN1	Yes	B	9.6 x 3.9 x 6.3	3.3	\$789	V1	
	Input Power Supply: Three-Phase 200-240 Vac									
	2	7.0	CFW500A07P0T2NBN1	No	A	8.8 x 3.0 x 5.9	2.4	\$628	V1	
	3	9.6	CFW500A09P6T2NBN1	No	A	8.8 x 3.0 x 5.9	2.4	\$773	V1	
	5	16	CFW500B16P0T2DBN1	Yes	B	9.6 x 3.9 x 6.3	3.3	\$842	V1	
	7 1/2	24	CFW500C24P0T2DBN1	Yes	C	10.0 x 5.3 x 6.5	5.3	\$1,427	V1	
	10	28	CFW500D28P0T2DBN1	Yes	D	14.3 x 7.1 x 6.6	10.2	\$1,777	V1	
	10	33	CFW500D33P0T2DBN1	Yes	D	14.3 x 7.1 x 6.6	10.2	\$2,146	V1	
	15	47	CFW500D47P0T2DBN1	Yes	D	14.3 x 7.1 x 6.6	10.2	\$2,910	V1	
	20	56	CFW500E56P0T2DBN1	Yes	E	13.8 x 8.7 x 7.6	22.1	\$3,380	V1	
460 Vac/3 Phase	Input Power Supply: Three-Phase 380-480 Vac									
	1/2	1.0	CFW500A01P0T4NBN1	No	A	8.8 x 3.0 x 5.9	2.4	\$582	V1	
	1	1.6	CFW500A01P6T4NBN1	No	A	8.8 x 3.0 x 5.9	2.4	\$604	V1	
	2	2.6	CFW500A02P6T4NBN1	No	A	8.8 x 3.0 x 5.9	2.4	\$649	V1	
	3	4.3	CFW500A04P3T4NBN1	No	A	8.8 x 3.0 x 5.9	2.4	\$799	V1	
	3	6.1	CFW500A06P1T4NBN1	No	A	8.8 x 3.0 x 5.9	2.4	\$982	V1	
	2	2.6	CFW500B02P6T4DBN1	Yes	B	9.6 x 3.9 x 6.3	3.3	\$708	V1	
	3	4.3	CFW500B04P3T4DBN1	Yes	B	9.6 x 3.9 x 6.3	3.3	\$892	V1	
	5	6.5	CFW500B06P5T4DBN1	Yes	B	9.6 x 3.9 x 6.3	3.3	\$1,067	V1	
	7 1/2	10	CFW500B10P0T4DBN1	Yes	B	9.6 x 3.9 x 6.3	3.3	\$1,207	V1	
	10	14	CFW500C14P0T4DBN1	Yes	C	10.0 x 5.3 x 6.5	5.3	\$1,495	V1	
	10	16	CFW500C16P0T4DBN1	Yes	C	10.0 x 5.3 x 6.5	5.3	\$1,684	V1	
	15	24	CFW500D24P0T4DBN1	Yes	D	14.3 x 7.1 x 6.6	10.2	\$2,229	V1	
	25	31	CFW500D31P0T4DBN1	Yes	D	14.3 x 7.1 x 6.6	10.2	\$2,783	V1	
	30	39	CFW500E39P0T4DBN1	Yes	E	13.8 x 8.7 x 7.6	22.1	\$3,346	V1	
	40	49	CFW500E49P0T4DBN1	Yes	E	13.8 x 8.7 x 7.6	22.1	\$4,214	V1	
575 Vac ³ /3 Phase	Input Power Supply: Three-Phase 500-600 Vac									
	1 1/2	1.7	CFW500C01P7T5DBN1	Yes	C	10.0 x 5.3 x 6.5	5.3	\$910	V1	
	3	3.0	CFW500C03P0T5DBN1	Yes	C	10.0 x 5.3 x 6.5	5.3	\$954	V1	
	3	4.3	CFW500C04P3T5DBN1	Yes	C	10.0 x 5.3 x 6.5	5.3	\$1,073	V1	
	7 1/2	7.0	CFW500C07P0T5DBN1	Yes	C	10.0 x 5.3 x 6.5	5.3	\$1,276	V1	
	10	10.0	CFW500C10P0T5DBN1	Yes	C	10.0 x 5.3 x 6.5	5.3	\$1,621	V1	
10	12.0	CFW500C12P0T5DBN1	Yes	C	10.0 x 5.3 x 6.5	5.3	\$1,813	V1		

Variable Frequency Drives and Enclosed Motor Controls

Notes:

- 1) "HP" rating based on "average FLA values". Use as a guide only.
 - 2) Motor FLA may vary with speed and manufacturer. ALWAYS compare motor FLA to Nominal AMPS of drive.
 - 3) All 575V drives are non-stocked items. Consult WEG for availability.
- For other technical data please refer to WEG product manual.

CFW500

Options and Accessories

Type	CATALOG NUMBER	Description	Apprx. Shpg. Wt. (lbs.)	List Price	Multiplier Symbol
I/O	CFW500-IOS¹	CFW500 I/O Module; 4 DI, 1 AI, 1 AO, 1 DOR, 1 DOT, 1 RS485, 10vdc, 24vdc	0.2	\$110	V1
I/O	CFW500-IOD	CFW500 I/O Module; 8 DI, 1 AI, 1 AO, 1 DOR, 4 DOT, 1 RS485, 10vdc, 24vdc	0.2	\$141	V1
I/O	CFW500-IOAD	CFW500 I/O Module; 6 DI, 3 AI, 2 AO, 1 DOR, 3 DOT, 1 RS485, 10vdc, 24vdc	0.2	\$182	V1
I/O	CFW500-IOR	CFW500 I/O Module; 5 DI, 1 AI, 1 AO, 4 DOR, 1 DOT, 1 RS485, 10vdc, 24vdc	0.2	\$125	V1
Encoder Input	CFW500-ENC	CFW500 Encoder Module; Quad Input A & B, 1 RS485, 5 DI, 1 AI, 1 AO, 3 DOR, 1 DOT, 24vdc	0.2	\$210	V1
USB Card	CFW500-CUSB	CFW500 Comm. Module; 1 USB, 1 RS485, 4 DI, 1 AI, 1 AO, 1 DOR, 1 DOT, 10vdc, 24vdc	0.2	\$210	V1
RS232 Card	CFW500-CRS232	CFW500 Comm. Module; 1 RS232, 1 RS485, 4 DI, 1 AI, 1 AO, 1 DOR, 1 DOT, 24vdc	0.2	\$138	V1
RS485 Card	CFW500-CRS485	CFW500 Comm. Module; 2 RS485, 4 DI, 2 AI, 1 AO, 2 DOR, 1 DOT, 10vdc, 24vdc	0.2	\$143	V1
CANopen Card	CFW500-CCAN	CFW500 Comm. Module; 1 CAN/DeviceNet, 1 RS485, 2 DI, 1 AI, 1 AO, 1 DOR, 1 DOT, 10vdc, 24vdc	0.2	\$138	V1
Profibus DP Card	CFW500-CPDP	CFW500 Comm. Module; 2 DI, 1 AI, 1 AO, 1 DOR, 1 DOT, 1 Profibus DP, 1 RS485, 24vdc	0.2	\$405	V1
Profibus DP & DP-V1 Module	CFW500-CPDP2	CFW500 Comm. Module; 1-Profibus DP & DP-V1 100BASE TX RJ-45 Port, 1-RS485, 2-DI, 1-AI, 1-AO, 1-DOR, 1-DOT, 24vdc	0.2	\$445	V1
Modbus TCP Comm. Module	CFW500-CEMB-TCP	CFW500 Comm. Module; 1-Modbus TCP 100BASE TX RJ-45 Port, 1-RS485, 2-DI, 1-AI, 1-AO, 1-DOR, 1-DOT, 24vdc	0.2	\$499	V1
ProfiNet I/O Comm. Module	CFW500-CEPN-IO	CFW500 Comm. Module; 1-ProfiNet I/O 100BASE TX RJ-45 Port, 1-RS485, 2-DI, 1-AI, 1-AO, 1-DOR, 1-DOT, 24vdc	0.2	\$499	V1
EtherNet IP Comm. Module	CFW500-CETH-IP	CFW500 Comm. Module; 2-DI, 1-AI, 1-AO, 1-DOR, 1-DOT, 1-RS485, 1-EtherNet IP 100BASE TX RJ-45 Port, 24vdc	0.2	\$499	V1
Flash Memory Module	CFW500-MMF	CFW500 Flash Memory Module for saving and reloading program and parameters to / from the drive	0.2	\$189	V1
Remote Keypad	CFW500-HMIR 2	CFW500 Remote Keypad for mounting through enclosure door	0.6	\$169	V1
Remote Oper. Station	CSW-SP3PBS	Remote Operator Station-includes 22mm Start PB, Stop PB, 1-NC and 1-NO contact block, 5k-ohm Potentiometer and legends (replaces CFW-REM)	5.0	\$460	Z5
Remote Oper. Station	CSW30-SP3PBS	Remote Operator Station-includes 30mm Start PB, Stop PB, 1-NC and 1-NO contact block, 5k-ohm Potentiometer and legends (replaces CFW-REM)	5.0	\$535	Z5
HMI Cable 1M	CFW500-CCHMIR01M	3.3 ft (1 meter) Remote Keypad Cable	0.5	\$23	V1
HMI Cable 2M	CFW500-CCHMIR02M	6.6 ft (2 meter) Remote Keypad Cable	0.7	\$31	V1
HMI Cable 3M	CFW500-CCHMIR03M	9.9 ft (3 meter) Remote Keypad Cable	1.0	\$41	V1
HMI Cable 5M	CFW500-CCHMIR05M	16 ft (5 meter) Remote Keypad Cable	1.2	\$51	V1
HMI Cable 7.5M	CFW500-CCHMIR075M	25 ft (7.5 meter) Remote Keypad Cable	1.5	\$61	V1
HMI Cable 10M	CFW500-CCHMIR010M	33 ft (10 meter) Remote Keypad Cable	2.0	\$72	V1
USB Comm. Cable 2M	CFW500-USB02M	USB Communication Cable, 6.6 ft (2 meter) length	0.7	\$50	V1
NEMA1 Conduit Kit	CFW500-KN1A	NEMA 1 kit – Frame Size A		\$28	V1
NEMA1 Conduit Kit	CFW500-KN1B	NEMA 1 kit – Frame Size B		\$33	V1
NEMA1 Conduit Kit	CFW500-KN1C	NEMA 1 kit – Frame Size C		\$44	V1
NEMA1 Conduit Kit	CFW500-KN1D	NEMA 1 kit – Frame Size D		\$59	V1
NEMA1 Conduit Kit	CFW500-KN1E	NEMA 1 kit – Frame Size E		\$64	V1
Cable Sheild Clamp Kit	CFW500-KPCSA	Cable Sheild Clamp Kit for Frame A	1.0	\$41	V1
Cable Sheild Clamp Kit	CFW500-KPCSB	Cable Sheild Clamp Kit for Frame B	1.0	\$44	V1
Cable Sheild Clamp Kit	CFW500-KPCSC	Cable Sheild Clamp Kit for Frame C	1.1	\$46	V1
Cable Sheild Clamp Kit	CFW500-KPCSD	Cable Sheild Clamp Kit for Frame D	1.1	\$51	V1

Notes:

- 1) CFW500-IOS Card is included as standard with CFW500 Drives
- 2) CFW500-HMIR Remote Keypad requires Qty. (1) CFW500-CCHIROxM cable. ("x" represents the cable length in meters)

Option Card I/O Table

CFW500 Option Module	DI ¹	AI	AO	DOR	DOT	Infrared	Encoder	USB	RS232	RS485	CANopen / DeviceNet	Profibus-DP / DP V1	Modbus TCP	ProfiNet I/O	EtherNet I/P
CFW500-IOS 1	4	1	1	1	1					1					
CFW500-IOD	8	1	1	1	4					1					
CFW500-IOAD	6	3	2	1	3					1					
CFW500-IOR	5	1	1	4	1	1				1					
CFW500-ENC	5	1	1	3	1		1			1					
CFW500-CUSB	4	1	1	1	1			1		1					
CFW500-CRS232	4	1	1	1	1				1	1					
CFW500-CRS485	4	2	1	2	1					2					
CFW500-CCAN	2	1	1	1	1					1	1				
CFW500-CPDP	2	1	1	1	1							1			
CFW500-CPDP2	2	1	1	1	1							1 & 1			
CFW500-CEMB-TCP	2	1	1	1	1								1		
CFW500-CEPN-IO	2	1	1	1	1									1	
CFW500-CETH-IP	2	1	1	1	1										1

Notes:

1) CFW500 Drive includes 4DI as standard. Option Modules provide suplimental I/O as shown in this table.

CFW500

Technical Data

Power Supply	Voltage	Single phase or Three Phase	200-240V (+10%, -15%)
		Three phase	380-480V (+10%, -15%)
	Frequency	50 / 60Hz +/- 2Hz	
	Displacement Power Factor (Cos)	Greater than 0.98	
Enclosure	Degree of Protection	NEMA 1	
	Mounting	Surface mounting with screws or DIN rail mounting	
Control	Control Modes	Volts per Hertz (Scalar)	
		Sensorless Voltage Vector	
	Power Output	Sinusoidal PWM (Space Vector Modulation)	
		IGBT Transistors	
	Switching Frequency	2.5, 5, 10 or 15kHz	
	Frequency Range	0-300 Hz	
	Overload Capacity	150% for 60 seconds, repeatable every 10 min.	
Control Inputs	4 programmable isolated digital inputs, NPN or 24Vdc logic (PNP)		
	2 programmable differential analog inputs; programmable for current or voltage Can be set as DI or as PTC input (0-10V, 4-20mA or 0-20mA)		
Control Outputs	2 programmable relay outputs: One NO (Form A) and one NC (Form B): 240 V / 0.5 A		
	1 Analog Output; programmable for voltage (0-10V) or current (0-20 mA or 4-20 mA) and with 0.25% linearity error		
Communication	Serial	Optional RS-232 serial interface, RS-485 with external RS-232/485 converter	
	Field Bus	Modbus RTU with external RS-232/485 converter	
Safety	Protections	Motor over current	DC link over voltage
		Motor overload	DC link under voltage
		Output phase-to-phase short circuit	Drive over temperature
		Output phase-to-ground short circuit	External fault
		Programming error	
Ambient	Temperature	14 - 122°F (50°C), up to 140°F (60°C) with 2% / 1.8°F (1°C) output current derating	
	Humidity	5-90% Non Condensing	
	Altitude	0-3300 ft (1000m), up to 13,200 ft (4000m) with 10% / 3300ft (1000m) output current derating	
Regulatory Conformance	EMC Directive 89 / 336 / EEC	Electromagnetic compatibility – Industrial Environment EMC Emission and Immunity with optional filter	
	ENC61800-3		
	LVD 73/23/EEC	Low Voltage Directive	
	UL 508 C	Power Conversion Equipment	
Special Functions	Linear and “S” ramp accel and decel, local/remote control, FWD/REV selection, DC braking, manual and auto torque boost, motor slip compensation, electronic pot, two skip frequencies, maximum and minimum adjustable frequency limits, adjustable output current, PID Controller		
Keypad	4 digit display, 2 indicator LEDs and 8 keys		
	Readouts for: output frequency (Hz), output current (A), output voltage (V), motor torque (%) in vector mode, DC bus voltage (V), value proportional to frequency (Ex.: RPM), heatsink temperature, fault and status messages		

Variable Frequency Drives and Enclosed Motor Controls

CFW700

The WEG CFW700 Series was designed to exceed industry expectations. Based on the robust CFW11 platform the CFW700 is designed and optimized for variable torque applications such as pumps and fans.

The CFW700 is the optimal drive for pump and fan control. The drive includes features such as built in PID controllers that can be programmed in engineering units for ease of understanding and set up. The drive also features an integrated power supply to be used with external transducers to measure flow or pressure.

These features combined with the drive's keypad based start up guide, make installation and parameter set up fast and easy.

Standard Features

- Simplicity – same programming as all other WEG drives
- Dual DC Bus chokes for longer VFD lifetime (6% equivalent), reduces harmonics eliminating the need for external line reactors
- Plenum Rated - Meets UL94 Requirements
- 24VDC Power Supply for process transducers - Standard
- Soft-PLC with free programming software
- Encoder Input - Standard
- RS-485 Modbus RTU - Standard
- Conformal Coated boards for harsh industrial environments
- Rated 50 °C (122 °F) – up to 60 °C (140 °F) with derating
- Self-tuning function automatically matches VFD with motor
- UL, cUL, CE, C-Tick, GOST, IRAM approved
- SuperDrive G2 compatible



Applications

- | | |
|------------------------|------------------|
| • Pumps | • Fans/Blowers |
| • Conveyers | • Compressors |
| • Agitators and Mixers | • Extruders |
| • Grizzly Feeders | • Centrifuges |
| • Cranes and Hoists | • Rollout Tables |
| • Presses | • Saws |

Variable Frequency Drives and Enclosed Motor Controls



CFW700 Catalog Number Sequence

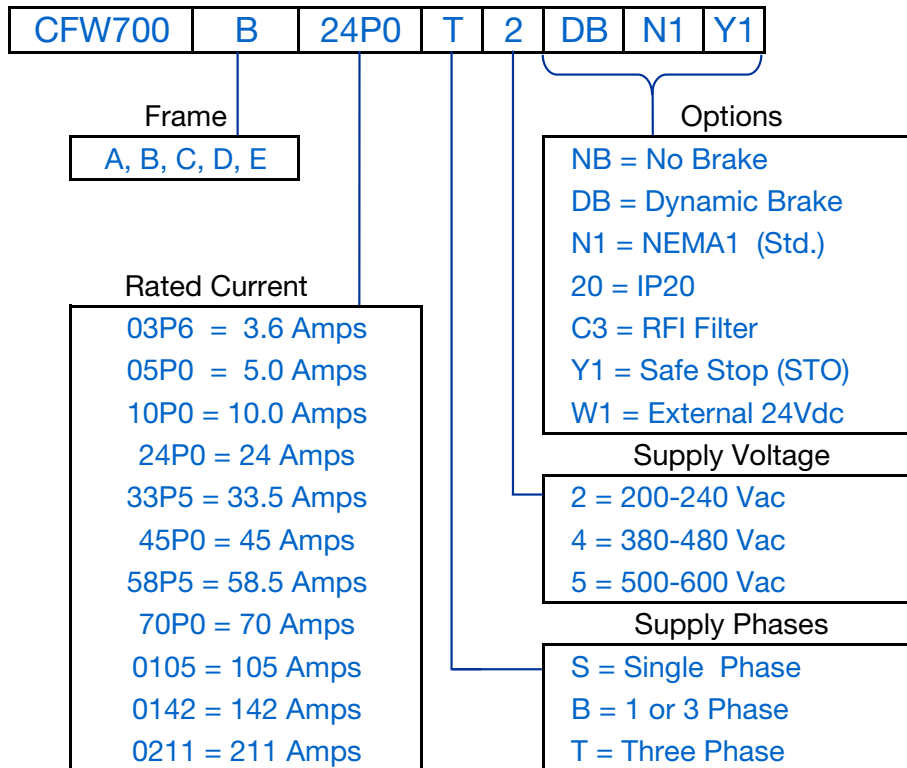


Table intended as reference only and not to create part numbers.

NEMA 1 Enclosure

Motor Voltage	ND / VT ¹		HD / CT ¹		Catalog Number	Braking Transistor	Frame Size	Dimensions (in.) HxWxD ⁶	Approx. Weight (lbs.) ⁶	List Price	Multiplier
	Motor HP ²	Drive Amps ³	Motor HP ²	Drive Amps ³							
230 Vac	Input Power Supply: Single or Three-Phase 200-240 Vac with Dynamic Braking Transistor										
	1 1/2	6.0	1 1/2	5.0	CFW700A06P0B2DBN1	Yes	A	12.1 x 5.8 x 9.0	13.9	\$1,370	V1
	2	7.0	2	7.0	CFW700A07P0B2DBN1	Yes	A	12.1 x 5.8 x 9.0	13.9	\$1,430	V1
	Input Power Supply: Single-Phase 200-240 Vac with Dynamic Braking Transistor										
	3	10	3	10	CFW700A10P0S2DBN1	Yes	A	12.1 x 5.8 x 9.0	13.9	\$1,510	V1
	Input Power Supply: Three-Phase 200-240 Vac with Dynamic Braking Transistor										
	2	7.0	1 1/2	5.5	CFW700A07P0T2DBN1	Yes	A	12.1 x 5.8 x 9.0	13.9	\$1,350	V1
	3	10	2	8.0	CFW700A10P0T2DBN1	Yes	A	12.1 x 5.8 x 9.0	13.9	\$1,410	V1
	5	13	3	11	CFW700A13P0T2DBN1	Yes	A	12.1 x 5.8 x 9.0	13.9	\$1,440	V1
	5	16	5	13	CFW700A16P0T2DBN1	Yes	A	12.1 x 5.8 x 9.0	13.9	\$1,542	V1
	7 1/2	24	7 1/2	20	CFW700B24P0T2DBN1	Yes	B	13.9 x 7.5 x 9.0	24.1	\$2,020	V1
	10	28	10	24	CFW700B28P0T2DBN1	Yes	B	13.9 x 7.5 x 9.0	24.1	\$2,201	V1
	10	33.5	10	28	CFW700B33P5T2DBN1	Yes	B	13.9 x 7.5 x 9.0	24.1	\$2,600	V1
	15	45	15	36	CFW700C45P0T2DBN1	Yes	C	17.7 x 8.7 x 11.5	44.6	\$2,900	V1
	20	54	20	45	CFW700C54P0T2DBN1	Yes	C	17.7 x 8.7 x 11.5	44.6	\$3,700	V1
	25	70	20	56	CFW700C70P0T2DBN1	Yes	C	17.7 x 8.7 x 11.5	44.6	\$4,880	V1
	30	86	25	70	CFW700D86P0T2DBN1	Yes	D	19.9 x 11.9 x 12.0	120.2	\$6,101	V1
	40	105	30	86	CFW700D0105T2DBN1	Yes	D	19.9 x 11.9 x 12.0	120.2	\$8,100	V1
	50	142	40	115	CFW700E142T2DBN1C3	Yes	E ⁵	26.6 x 13.2 x 14.1	143	\$11,500	V1
	60	180	50	142	CFW700E180T2DBN1C3	Yes	E ⁵	26.6 x 13.2 x 14.1	143	\$15,500	V1
	75	211	60	180	CFW700E211T2DBN1C3	Yes	E ⁵	26.6 x 13.2 x 14.1	143	\$21,222	V1
Input Power Supply: Three-Phase 200-240 Vac without Dynamic Braking Transistor											
50	142	40	115	CFW700E142T2NBN1C3	No	E ⁵	26.6 x 13.2 x 14.1	143	\$10,101	V1	
60	180	50	142	CFW700E180T2NBN1C3	No	E ⁵	26.6 x 13.2 x 14.1	143	\$12,999	V1	
75	211	60	180	CFW700E211T2NBN1C3	No	E ⁵	26.6 x 13.2 x 14.1	143	\$18,555	V1	

Notes:

- 1) CT = Constant Torque, 150% overload / 60 sec.; VT = Variable Torque (Quadratic Load), 110% overload / 60 sec.
- 2) "HP" rating based on "average FLA values". Use as a guide only.
- 3) Motor FLA may vary with speed and manufacturer. ALWAYS compare motor FLA to Nominal AMPS of drive.
- 4) All 575V drives are non-stocked items. Consult WEG for availability.
- 5) Maximum 45°C ambient temperature without derating.
- 6) Dimensions and weights are provided for estimating purposes only.
For other technical data please refer to WEG product manual.

CFW700

NEMA 1 Enclosure

Motor Voltage	ND / VT ¹		HD / CT ¹		Catalog Number	Braking Transistor	Frame Size	Dimensions (in.) HxWxD ⁶	Approx. Weight (lbs.) ⁶	List Price	Multiplier
	Motor HP ²	Drive Amps ³	Motor HP ²	Drive Amps ³							
460 Vac	Input Power Supply: Three-Phase 380-480 Vac with Dynamic Braking Transistor										
	2	3.6	2	3.6	CFW700A03P6T4DBN1	Yes	A	12.1 x 5.8 x 9.0	13.9	\$1,350	V1
	3	5.0	3	5.0	CFW700A05P0T4DBN1	Yes	A	12.1 x 5.8 x 9.0	13.9	\$1,444	V1
	5	7.0	3	5.5	CFW700A07P0T4DBN1	Yes	A	12.1 x 5.8 x 9.0	13.9	\$1,510	V1
	7 1/2	10	5	10	CFW700A10P0T4DBN1	Yes	A	12.1 x 5.8 x 9.0	13.9	\$1,600	V1
	10	13.5	7 1/2	11	CFW700A13P5T4DBN1	Yes	A	12.1 x 5.8 x 9.0	13.9	\$1,711	V1
	10	17	10	13.5	CFW700B17P0T4DBN1	Yes	B	13.9 x 7.5 x 9.0	24.1	\$2,055	V1
	15	24	10	19	CFW700B24P0T4DBN1	Yes	B	13.9 x 7.5 x 9.0	24.1	\$2,455	V1
	20	31	15	25	CFW700B31P0T4DBN1	Yes	B	13.9 x 7.5 x 9.0	24.1	\$3,450	V1
	25	38	20	33	CFW700C38P0T4DBN1	Yes	C	17.7 x 8.7 x 11.5	44.6	\$3,888	V1
	30	45	25	38	CFW700C45P0T4DBN1	Yes	C	17.7 x 8.7 x 11.5	44.6	\$5,000	V1
	40	58.5	30	47	CFW700C58P5T4DBN1	Yes	C	17.7 x 8.7 x 11.5	44.6	\$5,800	V1
	50/60	70.5	40	61	CFW700D70P5T4DBN1	Yes	D	19.9 x 11.9 x 12.0	120.2	\$6,888	V1
	60/75	88	50	73	CFW700D88P0T4DBN1	Yes	D	19.9 x 11.9 x 12.0	120.2	\$8,100	V1
	75	105	75	88	CFW700E105T4DBN1C3	Yes	E ⁵	26.6 x 13.2 x 14.1	143	\$11,989	V1
	100/125	142	75	115	CFW700E142T4DBN1C3	Yes	E ⁵	26.6 x 13.2 x 14.1	143	\$14,989	V1
	150	180	100	142	CFW700E180T4DBN1C3	Yes	E ⁵	26.6 x 13.2 x 14.1	143	\$20,989	V1
	175	211	150	180	CFW700E211T4DBN1C3	Yes	E ⁵	26.6 x 13.2 x 14.1	143	\$25,989	V1
	Input Power Supply: Three-Phase 380-480 Vac without Dynamic Braking Transistor										
	75	105	75	88	CFW700E105T4NBN1C3	No	E ⁵	26.6 x 13.2 x 14.1	143	\$9,999	V1
100/125	142	75	115	CFW700E142T4NBN1C3	No	E ⁵	26.6 x 13.2 x 14.1	143	\$12,000	V1	
150	180	100	142	CFW700E180T4NBN1C3	No	E ⁵	26.6 x 13.2 x 14.1	143	\$15,400	V1	
175	211	150	180	CFW700E0211T4NBN1C3	No	E ⁵	26.6 x 13.2 x 14.1	143	\$18,787	V1	

Notes:

- 1) CT = Constant Torque, 150% overload / 60 sec.; VT = Variable Torque (Quadratic Load), 110% overload / 60 sec.
- 2) "HP" rating based on "average FLA values". Use as a guide only.
- 3) Motor FLA may vary with speed and manufacturer. ALWAYS compare motor FLA to Nominal AMPS of drive.
- 4) All 575V drives are non-stocked items. Consult WEG for availability.
- 5) Maximum 45°C ambient temperature without derating
- 6) Dimensions and weights are provided for estimating purposes only.
For other technical data please refer to WEG product manual.

Variable Frequency Drives and Enclosed Motor Controls

NEMA 1 Enclosure

Motor Voltage	ND / VT ¹		HD / CT ¹		Catalog Number	Braking Transistor	Frame Size	Dimensions (in.) HxWxD ⁶	Approx. Weight (lbs.) ⁶	List Price	Multiplier
	Motor HP ²	Drive Amps ³	Motor HP ²	Drive Amps ³							
575 Vac ⁴	Input Power Supply: Three-Phase 500-600 Vac with Dynamic Braking Transistor										
	2	2.9	2	2.7	CFW700B02P9T5DBN1	Yes	B	13.9 x 7.5 x 9.0	24.1	\$1,689	V1
	3	4.2	3	3.8	CFW700B04P2T5DBN1	Yes	B	13.9 x 7.5 x 9.0	24.1	\$1,759	V1
	7 1/2	7.0	5	6.5	CFW700B07P0T5DBN1	Yes	B	13.9 x 7.5 x 9.0	24.1	\$1,874	V1
	10	10	7 1/2	9.0	CFW700B10P0T5DBN1	Yes	B	13.9 x 7.5 x 9.0	24.1	\$2,048	V1
	10	12	10	10	CFW700B12P0T5DBN1	Yes	B	13.9 x 7.5 x 9.0	24.1	\$2,171	V1
	15	17	15	17	CFW700B17P0T5DBN1	Yes	B	13.9 x 7.5 x 9.0	24.1	\$2,552	V1
	20	22	20	19	CFW700D22P0T5DBN1	Yes	D	19.9 x 11.9 x 12.0	120.2	\$4,235	V1
	25	27	20	22	CFW700D27P0T5DBN1	Yes	D	19.9 x 11.9 x 12.0	120.2	\$4,506	V1
	30	32	25	27	CFW700D32P0T5DBN1	Yes	D	19.9 x 11.9 x 12.0	120.2	\$6,486	V1
	40	44	30	36	CFW700D44P0T5DBN1	Yes	D	19.9 x 11.9 x 12.0	120.2	\$7,309	V1
	50	53	40	44	CFW700E53P0T5DBN1C3	Yes	E ⁵	26.6 x 13.2 x 14.1	143	\$9,118	V1
	60	63	50	53	CFW700E63P0T5DBN1C3	Yes	E ⁵	26.6 x 13.2 x 14.1	143	\$11,580	V1
	75	80	75	66	CFW700E80P0T5DBN1C3	Yes	E ⁵	26.6 x 13.2 x 14.1	143	\$12,091	V1
	100	107	100	90	CFW700E107T5DBN1C3	Yes	E ⁵	26.6 x 13.2 x 14.1	143	\$16,240	V1
	125	125	100	107	CFW700E125T5DBN1C3	Yes	E ⁵	26.6 x 13.2 x 14.1	143	\$16,910	V1
	150	150	125	122	CFW700E150T5DBN1C3	Yes	E ⁵	26.6 x 13.2 x 14.1	143	\$23,456	V1
	Input Power Supply: Three-Phase 500-600 Vac without Dynamic Braking Transistor										
	20	22	20	19	CFW700D22P0T5NBN1	No	D	26.6 x 13.2 x 14.1	120.2	\$3,921	V1
	25	27	20	22	CFW700D27P0T5NBN1	No	D	26.6 x 13.2 x 14.1	120.2	\$4,450	V1
	30	32	25	27	CFW700D32P0T5NBN1	No	D	26.6 x 13.2 x 14.1	120.2	\$5,763	V1
	40	44	30	36	CFW700D44P0T5NBN1	No	D	26.6 x 13.2 x 14.1	120.2	\$6,768	V1
	50	53	40	44	CFW700E53P0T5NBN1C3	No	E ⁵	26.6 x 13.2 x 14.1	143	\$8,446	V1
	60	63	50	53	CFW700E63P0T5NBN1C3	No	E ⁵	26.6 x 13.2 x 14.1	143	\$10,728	V1
	75	80	75	66	CFW700E80P0T5NBN1C3	No	E ⁵	26.6 x 13.2 x 14.1	143	\$11,200	V1
100	107	100	90	CFW700E107T5NBN1C3	No	E ⁵	26.6 x 13.2 x 14.1	143	\$15,042	V1	
125	125	100	107	CFW700E125T5NBN1C3	No	E ⁵	26.6 x 13.2 x 14.1	143	\$15,662	V1	
150	150	125	122	CFW700E150T5NBN1C3	No	E ⁵	26.6 x 13.2 x 14.1	143	\$21,723	V1	

Notes:

- 1) CT = Constant Torque, 150% overload / 60 sec.; VT = Variable Torque (Quadratic Load), 110% overload / 60 sec.
- 2) "HP" rating based on "average FLA values". Use as a guide only.
- 3) Motor FLA may vary with speed and manufacturer. ALWAYS compare motor FLA to Nominal AMPS of drive.
- 4) All 575V drives are non-stocked items. Consult WEG for availability.
- 5) Maximum 45°C ambient temperature without derating
- 6) Dimensions and weights are provided for estimating purposes only.
For other technical data please refer to WEG product manual.

Variable Frequency Drives and Enclosed Motor Controls

CFW700

Options and Accessories

Type	Catalog Number	Description	List Price	Multiplier
Communication	CAN-01	CAN interface module (CANopen/DeviceNet) (CFW11 & CFW700)	\$410	V1
	PROFIBUS DP-01	Profibus DP-V1 interface module (CFW11 & CFW700)	\$520	V1
I/O	CCK-01	Relay Output Module for CFW700 and CFW701, 2 Form C Relay Outputs	\$105	V1
Flash Memory	MMF-02	Flash Memory Module for CFW700 and CFW701	\$71	V1
Keypad and Accessories	HMI-02	CFW700 Standard Keypad with USB	\$320	V1
	RHMIF-02	CFW700 Remote Keypad Frame Kit	\$69	V1
	HMI-03	CFW701 Standard Keypad with USB	\$320	V1
	RHMIF-03	CFW701 Remote Keypad Frame Kit	\$69	V1
	HMID-01	Blank Keypad Cover for Keypad Slot (CFW11, CFW700 & CFW701)	\$54	V1
Remote Keypad Cable	IHM-CAB-RS-1M	3.3 ft (1 meter) Remote Keypad Cable (CFW11 & CFW700)	\$54	V1
	IHM-CAB-RS-2M	6.6 ft (2 meter) Remote Keypad Cable (CFW11 & CFW700)	\$60	V1
	IHM-CAB-RS-3M	9.9 ft (3 meter) Remote Keypad Cable (CFW11 & CFW700)	\$66	V1
	IHM-CAB-RS-5M	16 ft (5 meter) Remote Keypad Cable (CFW11 & CFW700)	\$75	V1
	IHM-CAB-RS-7.5M	25 ft (7.5 meter) Remote Keypad Cable (CFW11 & CFW700)	\$90	V1
	IHM-CAB-RS-10M	33 ft (10 meter) Remote Keypad Cable (CFW11 & CFW700)	\$102	V1
Remote Oper. Station	CSW-SP3PBS	Remote Operator Station-includes 22mm Start PB, Stop PB, 1-NC and 1-NO contact block, 5k-ohm Potentiometer and legends (replaces CFW-REM)	\$460	Z5
	CSW30-SP3PBS	Remote Operator Station-includes 30mm Start PB, Stop PB, 1-NC and 1-NO contact block, 5k-ohm Potentiometer and legends (replaces CFW-REM)	\$535	Z5
Conduit Kit	KN1A-02	Conduit Kit for frame size A with power cables shielding	\$125	V1
	KN1B-02	Conduit Kit for frame size B with power cables shielding	\$125	V1
	KN1C-02	Conduit Kit for frame size C with power cables shielding	\$142	V1
	KN1E-01	Top cover kit for frame size E (105 & 142A)	\$78	V1
	KN1E-02	Top cover kit plus Conduit kit for frame size E (180 & 211A)	\$213	V1
	KIP21D-01	IP21 Kit for Frame size D (top cover) (CFW11 & CFW700)	\$120	V1
Cable Shield Kit	PCSA-01	Power Cables Shielding Kit for frame size A (CFW11 & CFW700)	\$48	V1
	PCSB-01	Power Cables Shielding Kit for frame size B (CFW11 & CFW700)	\$51	V1
	PCSC-01	Power Cables Shielding Kit for frame size C (CFW11 & CFW700)	\$54	V1
	PCSD-01	Power Cables Shielding Kit for frame size D (CFW11 & CFW700)	\$56	V1
	PCSE-01	Power Cables Shielding Kit for frame size E (CFW11 & CFW700)	\$76	V1

Variable Frequency Drives and Enclosed Motor Controls

Technical Data

Power Supply	Voltage	Single Phase or Three Phase	200-240V (+10%, -15%)
		Three phase	380-480V (+10%, -15%)
	Frequency	50 / 60Hz +/- 2Hz	
	Displacement Power Factor (Cos)	Greater than 0.98	
Enclosure	Degree of Protection	NEMA 1	
Control	Control Modes	Volts per Hertz (Scalar)	Voltage Vector (VVW)
		Sensorless Vector	Vector with encoder
	Power Output	Sinusoidal PWM (Space Vector Modulation)	
		IGBT Transistors	
	Switching Frequency	1.25, 2.0, 2.5, 5.0 or 10.0 kHz	
	Frequency Range	0-300 Hz in Scalar Mode; 120 Hz in Vector Mode	
	Overload Capacity	CT = Constant Torque, 150% overload / 60 sec. VT = Variable Torque (Quadratic Load), 110% overload / 60 sec.	
Control Inputs	8 programmable isolated digital inputs, 24Vdc logic		
	2 isolated programmable differential analog inputs 11 bit; programmable for current or voltage (0-10V, 4-20mA or 0-20mA)		
	Motor thermistor - PTC/PT100/KTY84		
	Incremental encoder input – 5 to 12V		
Control Outputs	1 programmable relay output; NO/NC (Form C); 240Vac, 30Vdc / 0.75 A		
	4 programmable isolated open collector digital outputs; 24Vdc, 80mA max.		
	2 non-isolated programmable analog outputs 10 bit; programmable for current or voltage (0-10V, 4-20mA or 0-20mA)		
Communication	Serial	Optional RS-232 serial interface, RS-485 with external RS-232/485 converter	
	Field Bus	Isolated RS-485 / Modbus RTU (standard)	
		CAN interface module (CANopen/DeviceNet)	
Safety	Protections	Motor over current	DC link over voltage
		Motor overload	DC link under voltage
		Output phase-to-phase short circuit	Drive over temperature
		Output phase-to-ground short circuit	External fault
		Programming error	
Ambient	Temperature	14 - 122°F (50°C), up to 140°F (60°C) with 2% / 1.8°F (1°C) output current derating	
	Humidity	5-90% Non Condensing	
	Altitude	0-3300 ft (1000m), up to 13,200 ft (4000m) with 1% output current derating per 330ft (100m) above 3300 ft (1000m).	
Regulatory / Safety Conformance	IEC 60146	Semiconductor convertors	
	UL 508 C	Power Conversion Equipment	
	UL 840	Insulation coordination including clearances and creepage distances for electrical equipment.	
	UL 94	Plenum Rated - Meets UL94 Standard for Tests for Flammability	
	EN 50178	Electronic equipment for use in power installations	
	EN 61800-2	General requirements adjustable speed electrical power drive systems	
	EN 61800-3	EMC product standard including specific test methods adjustable speed electrical power drive systems	
	EN 61800-5-1	Safety requirements adjustable speed electrical power drive systems	
	EN 60204-1	Safety of machinery. Electrical equipment of machines. Part 1: General requirements.	
	RoHS and WEEE Guidelines		
Approvals	UL, cUL, CE, C-Tick, GOST, IRAM		
Special Functions	Linear and "S" ramp accel and decel, local/remote control, FWD/REV selection, DC braking, manual and auto torque boost, motor slip compensation, electronic pot, two skip frequencies, max. and min. adjustable frequency limits, adjustable output current, PID Controller		
Keypad	Backlit LCD display with 9 operator keys, remote mounting option available		
	Readouts for: output frequency (Hz), output current (A), output voltage (V), motor torque (%) in vector mode, DC bus voltage (V), value proportional to frequency (Ex.: RPM), heatsink temperature, fault and status messages		

Variable Frequency Drives and Enclosed Motor Controls

CFW700

100% Braking Torque at 20% Duty Cycle (12 Seconds Max. Braking Time) NEMA 1 Enclosure

Motor Voltage	Motor HP ¹	CFW11 Catalog Number	Braking Resistor Catalog Number ²	Rated Ohms	Rated Watts	Dimensions (in.) HxWxD ³	List Price	Multiplier
230 Vac	1 1/2	CFW700A06P0B2DBN1	CFDB5-125-224	125	224	5 x 12 x 5	\$520	V1
	2	CFW700A07P0B2DBN1	CFDB5-95-298	95	298	5 x 12 x 7	\$749	V1
	2	CFW700A07P0T2DBN1	CFDB5-95-298	95	298	5 x 12 x 7	\$749	V1
	3	CFW700A10P0S2DBN1	CFDB5-63-448	63	448	5 x 12 x 7	\$749	V1
	3	CFW700A10P0T2DBN1	CFDB5-63-448	63	448	5 x 12 x 7	\$749	V1
	5	CFW700A13P0T2DBN1	CFDB5-38-746	38	746	5 x 12 x 10	\$941	V1
	5	CFW700A16P0T2DBN1	CFDB5-38-746	38	746	5 x 12 x 10	\$941	V1
	7 1/2	CFW700B24P0T2DBN1	CFDB5-26-1119	26	1,119	5 x 12 x 13	\$1,130	V1
	10	CFW700B28P0T2DBN1	CFDB5-19-1492	19	1,492	5 x 12 x 16	\$1,322	V1
	10	CFW700B33P5T2DBN1	CFDB5-19-1492	19	1,492	5 x 12 x 16	\$1,322	V1
	15	CFW700C45P0T2DBN1	CFDB5-13-2238	12.6	2,238	5 x 19 x 10	\$1,644	V1
	20	CFW700C54P0T2DBN1	CFDB5-10-2984	9.6	2,984	5 x 19 x 10	\$1,644	V1
	25	CFW700C70P0T2DBN1	CFDB5-8-3730	7.5	3,730	5 x 19 x 13	\$1,997	V1
	30	CFW700D86P0T2DBN1	CFDB5-7-4476	6.3	4,476	5 x 26.5 x 13	\$2,588	V1
	40	CFW700D0105T2DBN1	CFDB5-5-5968	4.9	5,968	5 x 26.5 x 16	\$3,269	V1
	50	CFW700E142T2DBN1C3	CFDB5-4-7460	3.9	7,460	10 x 28 x 10	\$3,820	V1
	60	CFW700E180T2DBN1C3	CFDB5-4-8952	3.3	8,952	10 x 28 x 10	\$3,820	V1
	75	CFW700E211T2DBN1C3	CFDB5-3-11190	2.7	11,190	10 x 28 x 13	\$5,622	V1
460 Vac	2	CFW700A03P6T4DBN1	CFDB5-375-298	375	298	5 x 12 x 7	\$749	V1
	3	CFW700A05P0T4DBN1	CFDB5-250-448	250	448	5 x 12 x 7	\$749	V1
	5	CFW700A07P0T4DBN1	CFDB5-150-746	150	746	5 x 12 x 10	\$941	V1
	7 1/2	CFW700A10P0T4DBN1	CFDB5-100-1119	100	1,119	5 x 12 x 13	\$1,130	V1
	10	CFW700A13P5T4DBN1	CFDB5-75-1492	75	1,492	5 x 12 x 16	\$1,322	V1
	10	CFW700B17P0T4DBN1	CFDB5-75-1492	75	1,492	5 x 12 x 16	\$1,322	V1
	15	CFW700B24P0T4DBN1	CFDB5-50-2238	50	2,238	5 x 19 x 13	\$1,820	V1
	20	CFW700B31P0T4DBN1	CFDB5-38-2984	38	2,984	5 x 19 x 16	\$2,201	V1
	25	CFW700C38P0T4DBN1	CFDB5-30-3730	30	3,730	5 x 26.5 x 13	\$2,511	V1
	30	CFW700C45P0T4DBN1	CFDB5-25-4476	25	4,476	5 x 26.5 x 13	\$2,511	V1
	40	CFW700C58P5T4DBN1	CFDB5-19-5968	19	5,968	5 x 26.5 x 16	\$2,938	V1
	50/60	CFW700D70P5T4DBN1	CFDB2-15-8952	15	8,952	10 x 28 x 13	\$4,328	V1
	60/75	CFW700D88P0T4DBN1	CFDB5-10-11190	10	11,190	10 x 28 x 16	\$5,659	V1
	75	CFW700E105T4DBN1C3	CFDB5-10-11190	10	11,190	10 x 28 x 16	\$5,659	V1
	100/125	CFW700E142T4DBN1C3	CFDB5-8-18650	8	18,650	24 x 30 x 18	\$9,560	V1
	150	CFW700E180T4DBN1C3	CFDB5-5-22380	5	22,380	24 x 30 x 18	\$11,854	V1
	175	CFW700E211T4DBN1C3	CFDB5-5-29840	5	29,840	24 x 30 x 18	\$11,854	V1

Notes:

1) Dimensions are provided for estimating purposes only.

Variable Frequency Drives and Enclosed Motor Controls



100% Braking Torque at 50% Duty Cycle (30 Seconds Max. Braking Time)
NEMA 1 Enclosure

Motor Voltage	Motor HP ¹	CFW700 Catalog Number	Braking Resistor Catalog Number ²	Rated Ohms	Rated Watts	Dimensions (in.) HxWxD ³	List Price	Multiplier
230 Vac	1 1/2	CFW700A06P0B2DBN1	CFDB5-125-560	125	560	5 x 12 x 10	\$941	V1
	2	CFW700A07P0B2DBN1	CFDB5-95-746	95	746	5 x 12 x 10	\$941	V1
	2	CFW700A07P0T2DBN1	CFDB5-95-746	95	746	5 x 12 x 10	\$941	V1
	3	CFW700A10P0S2DBN1	CFDB5-63-1119	63	1,119	5 x 12 x 10	\$1,130	V1
	3	CFW700A10P0T2DBN1	CFDB5-63-1119	63	1,119	5 x 12 x 10	\$1,130	V1
	5	CFW700A13P0T2DBN1	CFDB5-38-1865	38	1,865	5 x 19 x 13	\$1,820	V1
	5	CFW700A16P0T2DBN1	CFDB5-38-1865	38	1,865	5 x 19 x 13	\$1,820	V1
	7 1/2	CFW700B24P0T2DBN1	CFDB5-26-2798	26	2,798	5 x 26.5 x 13	\$2,511	V1
	10	CFW700B28P0T2DBN1	CFDB5-19-3730	19	3,730	5 x 26.5 x 13	\$2,511	V1
	10	CFW700B33P5T2DBN1	CFDB5-19-3730	19	3,730	5 x 26.5 x 13	\$2,511	V1
	15	CFW700C45P0T2DBN1	CFDB5-13-5595	12.6	5,595	5 x 26.5 x 16	\$2,938	V1
	20	CFW700C54P0T2DBN1	CFDB5-10-7460	9.6	7,460	10 x 28 x 13	\$4,663	V1
	25	CFW700C70P0T2DBN1	CFDB5-8-9325	7.5	9,325	10 x 28 x 13	\$4,663	V1
	30	CFW700D86P0T2DBN1	CFDB5-7-11190	6.3	11,190	10 x 28 x 16	\$5,254	V1
	40	CFW700D0105T2DBN1	CFDB5-5-14920	4.9	14,920	24 x 30 x 18	\$6,762	V1
	50	CFW700E142T2DBN1C3	CFDB5-4-18650	3.9	18,650	24 x 30 x 18	\$10,325	V1
	60	CFW700E180T2DBN1C3	CFDB5-4-22380	3.3	22,380	24 x 30 x 18	\$10,325	V1
75	CFW700E211T2DBN1C3	CFDB5-3-27975	2.7	27,975	32 x 30 x 18	\$10,325	V1	
460 Vac	2	CFW700A03P6T4DBN1	CFDB5-375-746	375	746	5 x 12 x 13	\$1,130	V1
	3	CFW700A05P0T4DBN1	CFDB5-250-1119	250	1,119	5 x 12 x 16	\$1,511	V1
	5	CFW700A07P0T4DBN1	CFDB5-150-1865	150	1,865	5 x 19 x 13	\$1,703	V1
	7 1/2	CFW700A10P0T4DBN1	CFDB5-100-2798	100	2,798	5 x 19 x 16	\$1,892	V1
	10	CFW700A13P5T4DBN1	CFDB5-75-3730	75	3,730	5 x 26.5 x 16	\$2,938	V1
	10	CFW700B17P0T4DBN1	CFDB5-75-3730	75	3,730	5 x 26.5 x 16	\$2,938	V1
	15	CFW700B24P0T4DBN1	CFDB5-50-5595	50	5,595	10 x 28 x 13	\$4,254	V1
	20	CFW700B31P0T4DBN1	CFDB5-38-7460	38	7,460	10 x 28 x 13	\$4,254	V1
	25	CFW700C38P0T4DBN1	CFDB5-30-9325	30	9,325	10 x 28 x 16	\$4,715	V1
	30	CFW700C45P0T4DBN1	CFDB5-25-11190	25	11,190	10 x 28 x 16	\$5,071	V1
	40	CFW700C58P5T4DBN1	CFDB5-19-14920	19	14,920	24 x 30 x 18	\$8,858	V1
	50/60	CFW700D70P5T4DBN1	CFDB2-15-22380	15	22,380	24 x 30 x 18	\$10,176	V1
	75	CFW700D88P0T4DBN1	CFDB5-10-27975	10	27,975	32 x 30 x 18	\$14,625	V1
	75	CFW700E105T4DBN1C3	CFDB5-10-27975	10	27,975	32 x 30 x 18	\$14,625	V1
	100/125	CFW700E142T4DBN1C3	CFDB5-8-46625	8	46,625	32 x 30 x 18	\$16,923	V1
	150	CFW700E180T4DBN1C3	CFDB5-5-55950	5	55,950	48 x 30 x 18	\$18,814	V1
	175	CFW700E211T4DBN1C3	CFDB5-5-74600	5	74,600	72 x 30 x 18	\$31,678	V1

Notes:

- 1) "HP" rating based on "average FLA values". Use as a guide only.
- 2) Dynamic Braking Resistors are non-stock items. Consult WEG for availability.
- 3) Dimensions are provided for estimating purposes only.

Variable Frequency Drives and Enclosed Motor Controls

CFW700

3% Z (Impedance) – NEMA 1 Enclosure

Motor Voltage	Motor HP	Reactor Amps	Catalog Number	Dimensions (in.) ¹ HxWxD	Approx. Weight (lbs.) ¹	List Price	Multiplier
230 Vac	Input Power Supply: Three-Phase 230 Vac						
	3	12	LRW012D3N1	8 x 8 x 6	16	\$436	V1
	5	18	LRW018D3N1	8 x 8 x 6	16	\$512	V1
	7 1/2	25	LRW025D3N1	13 x 13.3 x 13.1	42	\$590	V1
	10	35	LRW035D3N1	13 x 13.3 x 13.1	45	\$634	V1
	15	45	LRW045D3N1	13 x 13.3 x 13.1	54	\$756	V1
	20	55	LRW055D3N1	13 x 13.3 x 13.1	55	\$890	V1
	25 / 30	80	LRW080D3N1	13 x 13.3 x 13.1	74	\$905	V1
	40	100	LRW100D3N1	13 x 13.3 x 13.1	78	\$1,086	V1
	50	130	LRW130D3N1	13 x 13.3 x 13.1	60	\$1,175	V1
	60	160	LRW160D3N1	13 x 13.3 x 13.1	71	\$1,424	V1
75	200	LRW200D3N1	13 x 13.3 x 13.1	79	\$1,488	V1	
460 Vac	Input Power Supply: Three-Phase 460 Vac						
	1 1/2	2	LRW002G3N1	8 x 8 x 6	11	\$387	V1
	2, 3	4	LRW004G3N1	8 x 8 x 6	11	\$394	V1
	5	8	LRW008G3N1	8 x 8 x 6	14	\$415	V1
	7 1/2	12	LRW012G3N1	8 x 8 x 6	16	\$452	V1
	10	18	LRW018G3N1	8 x 8 x 6	16	\$519	V1
	15	25	LRW025G3N1	13 x 13.3 x 13.1	42	\$601	V1
	20 / 25	35	LRW035G3N1	13 x 13.3 x 13.1	45	\$715	V1
	30	45	LRW045G3N1	13 x 13.3 x 13.1	54	\$841	V1
	40	55	LRW055G3N1	13 x 13.3 x 13.1	55	\$987	V1
	50 / 60	80	LRW080G3N1	13 x 13.3 x 13.1	60	\$1,179	V1
	75	100	LRW100G3N1	13 x 13.3 x 13.1	71	\$1,450	V1
	100	130	LRW130G3N1	13 x 13.3 x 13.1	74	\$1,750	V1
	125	160	LRW160G3N1	13 x 13.3 x 13.1	48	\$2,060	V1
	150	200	LRW200G3N1	13 x 13.3 x 13.1	79	\$2,400	V1
	200	250	LRW250G3N1	24 x 18.4 x 16.8	99	\$2,990	V1
	250	320	LRW320G3N1	24 x 18.4 x 16.8	155	\$3,700	V1
	300	400	LRW400G3N1	24 x 18.4 x 16.8	155	\$4,962	V1
	350 / 400	500	LRW500G3N1	47 x 26.5 x 24.9	165	\$6,446	V1
	450 / 500	600	LRW600G3N1	47 x 26.5 x 24.9	205	\$7,950	V1
750 / 800	1000	LRW1000G3N1	Consult Factory			\$9,788	V1

Notes:

1) Dimensions and weights are provided for estimating purposes only.

Variable Frequency Drives and Enclosed Motor Controls

CFW08 WASH

The WEG CFW08 WASH Series is a redesign of our successful uline VFDs. Engineering improvements have produced one of the most compact and full featured microdrives in the marketplace.

Outstanding features and options in a NEMA 4 enclosure allow the CFW08 WASH to be successfully used in a large variety of applications.

Standard Features

- Same programming as other WEG VFD's
- V/Hz and Sensorless Vector Control
- NEMA 4X(IP56) Enclosure
- Single and Three-phase input voltage
- 200-240V, 380-480V or 500-600 input voltage
- 150% current overload capacity
- 16 bit DSP controlled PWM output
- 2.5 / 5 / 10 / 15 kHz adjustable swiching frequency
- Four isolated programmable digital inputs
- Two programmable relay outputs (1NO, 1NC, 240vac 0.5A)
- Two isolated programmable analog inputs (0-10V, 0/4-20mA)
- Protective features: Over current, motor overload, drive over temperature, output phase-to-phase and phase-to-ground short circuit, DC bus over and under voltage and external fault
- Control features: Linear and "S" ramp acceleration and deceleration, local/remote control, DC braking, torque boost, motor slip compensation, electronic pot, preset speeds, adjustable V/Hz profile, maximum and minimum adjustable frequency limits, two skip frequencies, adjustable output current limit, JOG, ride-thru, flying start and PID regulator.
- Display readings: Motor speed, frequency, voltage, current, last fault, heatsink temperature and drive status
- Ambient: 32°F (0°C) to 104°F (40°C), 3300ft (1000m) altitude, 90% humidity, non-condensing
- SuperDrive (G1) compatible



Applications NEMA 4X

- Pumps
- Fans
- Blowers
- Conveyors
- Rollout tables
- Agitators
- Mixers
- Any washdown applications

Variable Frequency Drives and Enclosed Motor Controls

Optional Features

- Dynamic Braking Resistors available
 - Remote Keypad with Copy Function
 - RS-232 or RS-485 Serial Interface
 - Modbus Communication*
 - DIN rail mounting through 2HP
- *Requires optional RS-232 or RS-485 Interface

CFW08 WASH Catalog Number Sequence

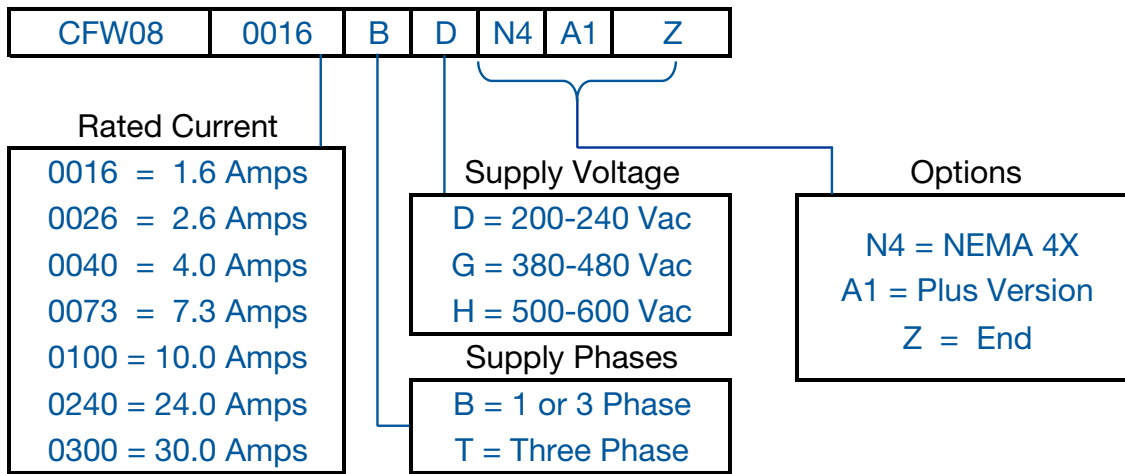


Table intended as reference only and not to create part numbers.



Wash Down - NEMA 4X Enclosure

Motor Voltage	Motor HP ¹	Drive Amps ²	Catalog Number	Braking Transistor	Frame Size	Dimensions (in.) HxWxD	Approx. Weight (lbs.)	List Price	Multiplier
230 Vac	Input Power Supply: Single or Three-Phase 200-240 Vac								
	2	7.3	CFW080073BDN4A1Z	Yes	A	10.4 x 6.5 x 8.5	5	\$929	V1
	3	10.0	CFW080100BDN4A1Z	Yes	A	10.4 x 6.5 x 8.5	5	\$1,039	V1
	Input Power Supply: Three-Phase 230 Vac								
	5	16	CFW080160TDN4A1Z	Yes	A	10.4 x 6.5 x 8.5	5	\$1,228	V1
	7 1/2	22	CFW080220TDN4A1Z	Yes	B	13.4 x 8.5 x 8.5	18	\$1,769	V1
10	28	CFW080280TDN4A1Z	Yes	B	13.4 x 8.5 x 8.5	18	\$2,266	V1	
460 Vac	Input Power Supply: Three-Phase 380-480 Vac								
	1	2.7	CFW080027TGN4A1Z	Yes	A	10.4 x 6.5 x 8.5	5	\$894	V1
	2	4.3	CFW080043TGN4A1Z	Yes	A	10.4 x 6.5 x 8.5	5	\$1,118	V1
	3	6.5	CFW080065TGN4A1Z	Yes	A	10.4 x 6.5 x 8.5	5	\$1,331	V1
	5	10	CFW080100TGN4A1Z	Yes	A	10.4 x 6.5 x 8.5	5	\$1,516	V1
	7 1/2	13	CFW080130TGN4A1Z	Yes	B	13.4 x 8.5 x 8.5	18	\$1,856	V1
	10	16	CFW080160TGN4A1Z	Yes	B	13.4 x 8.5 x 8.5	18	\$2,144	V1
	15	24	CFW080240TGN4A1Z	Yes	B	13.4 x 8.5 x 8.5	18	\$2,876	V1
20	30	CFW080300TGN4A1Z	Yes	B	13.4 x 8.5 x 8.5	18	\$3,474	V1	
575 Vac ³	Input Power Supply: Three-Phase 500-600 Vac								
	1	1.7	CFW080017THN4A1Z	Yes	B	13.4 x 8.5 x 8.5	18	\$1,259	V1
	2	3.0	CFW080030THN4A1Z	Yes	B	13.4 x 8.5 x 8.5	18	\$1,421	V1
	3	4.3	CFW080043THN4A1Z	Yes	B	13.4 x 8.5 x 8.5	18	\$1,485	V1
	5	7.0	CFW080070THN4A1Z	Yes	B	13.4 x 8.5 x 8.5	18	\$1,767	V1
	7 1/2	10	CFW080100THN4A1Z	Yes	B	13.4 x 8.5 x 8.5	18	\$2,077	V1
10	12	CFW080120THN4A1Z	Yes	B	13.4 x 8.5 x 8.5	18	\$2,388	V1	

Notes:

- 1) "HP" rating based on "average FLA values". Use as a guide only.
 - 2) Motor FLA may vary with speed and manufacturer. ALWAYS compare motor FLA to Nominal AMPS of drive.
 - 3) All 575V drives are non-stocked items. Consult WEG for availability.
- For other technical data please refer to WEG product manual.

Variable Frequency Drives and Enclosed Motor Controls

CFW08 WASH

Options and Accessories

Type	Catalog Number	Description	List Price	Multiplier
Keypad	HMI-CFW08-RS	NEMA12 Remote Keypad (requires MIS-CFW08-RS & cable)	\$135	V1
	MIS-CFW08-RS	Remote Keypad Interface	\$64	V1
	TCL-CFW08	Keypad Cover	\$13	V1
	CAB-RS-1	3.3 ft (1m) Remote Keypad Cable	\$23	V1
	CAB-RS-2	6.6 ft (2m) Remote Keypad Cable	\$31	V1
	CAB-RS-3	9.9 ft (3m) Remote Keypad Cable	\$41	V1
	CAB-RS-5	16 ft (3m) Remote Keypad Cable	\$51	V1
	CAB-RS-7.5	25 ft (7.5m) Remote Keypad Cable	\$62	V1
	CAB-RS-10	33 ft (10m) Remote Keypad Cable	\$72	V1
I/O	KAC-120-CFW08	120VAC Digital Input Adaptor Board (4 inputs)	\$145	V1
Communication	KCS-CFW08	RS-232 Serial Comm. Module (mounted in place of keypad)	\$97	V1
	MIW-02	RS-232/485 Converter (mounted externally)	\$221	V1
	KSD-CFW08	PC Communication Kit	\$124	V1
	KRS-485-CFW08	Interface for RS-485 Communication	\$186	V1
DC Power Supply	KDC-24V-CFW08	24VDC power supply with standard CFW08 HMI integrated	\$177	V1
	KDC-24VR-CFW08	24VDC power supply with interface for remote keypad	\$211	V1
Remote Oper. Station	CSW-SP3PBS	Remote Operator Station-includes 22mm Start PB, Stop PB, 1-NC and 1-NO contact block, 5k-ohm Potentiometer and legends (replaces CFW-REM)	\$460	Z5
	CSW30-SP3PBS	Remote Operator Station-includes 30mm Start PB, Stop PB, 1-NC and 1-NO contact block, 5k-ohm Potentiometer and legends (replaces CFW-REM)	\$535	Z5



10% Duty Cycle

Motor Voltage	Motor HP ¹	CFW08 Catalog Number	WEG DB Resistor Catalog Number ²	Ohms	Watts	List Price	Multiplier
230 Vac	Input Power Supply: Single or Three-Phase 200-240 Vac						
	2	CFW080073BDN4A1Z	CFDB39-224	39	224	\$183	V1
	3	CFW080100BDN4A1Z	CFDB27-298	27	298	\$183	V1
	5	CFW080160TDN4A1Z	CFDB22-373	22	373	\$183	V1
	7 1/2	CFW080220TDN4A1Z	CFDB15-560	15	560	\$319	V1
	10	CFW080280TDN4A1Z	CFDB10-746	10	746	\$319	V1
460 Vac	Input Power Supply: Three-Phase 380-480 Vac						
	1	CFW080027TGN1A1Z	CFDB120-298	120	298	\$183	V1
	2	CFW080043TGN1A1Z	CFDB120-298	120	298	\$183	V1
	3	CFW080065TGN1A1Z	CFDB100-224	100	224	\$183	V1
	5	CFW080100TGN1A1Z	CFDB47-746	47	746	\$319	V1
	7 1/2	CFW080130TGN1A1Z	CFDB33-746	33	746	\$319	V1
	10	CFW080160TGN1A1Z	CFDB33-746	33	746	\$319	V1
	15	CFW080240TGN1A1Z	CFDB22-1119	22	1119	\$481	V1
	20	CFW080300TGN1A1Z	CFDB18-1492	18	1492	\$638	V1

Notes:

- 1) "HP" rating based on "average FLA values". Use as a guide only.
- 2) Dynamic Braking Resistors are non-stock items. Consult WEG for availability

CFW08 WASH Technical Data

Power Supply	Voltage	Single Phase or Three Phase	200-240V (+10%, -15%)
		Three phase	380-480V (+10%, -15%)
	Frequency	50 / 60Hz +/- 2Hz	
	Displacement Power Factor (Cos)	Greater than 0.98	
Enclosure	Degree of Protection	NEMA 4	
Control	Control Modes	Volts per Hertz (Scalar)	
		Sensorless Voltage Vector VVV	
	Power Output	Sinusoidal PWM (Space Vector Modulation)	
		IGBT Transistors	
	Switching Frequency	2.5, 5, 10 or 15kHz	
	Frequency Range	0-300 Hz	
Overload Capacity	150% for 60 seconds, repeatable every 10 min.		
Control Inputs	4 programmable isolated digital inputs, NPN or 24Vdc logic (PNP)		
	2 programmable differential analog inputs; programmable for current or voltage Can be set as DI or as PTC input (0-10V, 4-20mA or 0-20mA)		
Control Outputs	2 programmable relay outputs: One NO (Form A) and one NC (Form B): 240 V / 0.5 A		
	1 Output with independent NO and NC at a same common		
	1 Analog Output; programmable for voltage (0-10V) or current (0-20 mA or 4-20 mA) and with 0.25% linearity error		
Communication	Serial	Optional RS-232 serial interface, RS-485 with external RS-232/485 converter	
	Field Bus	Modbus RTU with external RS-232/485 converter	
Safety	Protections	Motor over current	DC link over voltage
		Motor overload	DC link under voltage
		Output phase-to-phase short circuit	Drive over temperature
		Output phase-to-ground short circuit	External fault
		Programming error	
Ambient	Temperature	32° - 104°F (40°C), up to 122°F (50°C) with 2% / 1.8°F (1°C) output current derating	
	Humidity	5-90% Non Condensing	
	Altitude	0-3300 ft (1000m), up to 13,200 ft (4000m) with 1% output current derating per 330ft (100m) above 3300 ft (1000m).	
Regulatory Conformance	EMC Directive 89 / 336 / EEC	Electromagnetic compatibility – Industrial Environment EMC Emission and Immunity with optional filter	
	ENC61800-3		
	LVD 73/23/EEC	Low Voltage Directive	
	UL 508 C	Power Conversion Equipment	
Special Functions	Linear and “S” ramp accel and decel, local/remote control, FWD/REV selection, DC braking, manual and auto torque boost, motor slip compensation, electronic pot, two skip frequencies, maximum and minimum adjustable frequency limits, adjustable output current, PID Controller		
Keypad	4 digit display, 2 indicator LEDs and 8 keys		
	Readouts for: output frequency (Hz), output current (A), output voltage (V), motor torque (%) in vector mode, DC bus voltage (V), value proportional to frequency (Ex.: RPM), heatsink temperature, fault and status messages		
Mounting	Surface mounting with screws.		

EDP11

The Enclosed VFD Panel is an industrial general purpose AC motor control and protection package. It is designed for simple and quick installation and start-up, requiring only input power and output motor connections. There are two enclosure variants available such as NEMA 12 ventilated and NEMA 3R for Outdoor Installations.

The Enclosed VFD Panel is built to complement the ruggedness and reliability of WEG motors, providing a complete, simple, and cost effective AC motor control, monitor and protection solution.

NEMA 12 Features

- CFW11 Drive
- Indoor Rated
- Wall mounted
- Circuit Breaker with through door handle
- CFW11 VFD (Dual DC choke built-in)
- Fused 480V/120V CPT
- Internal Fan
- Heat sink through the back
- Motor Terminal Block
- Door mounted keypad
- Start / Stop Pushbuttons
- Run/Fault Pilot Lights
- Keypad cover - same as GPH2
- Drive and controls mounted in NEMA 4 section of panel; heat sink is external and rated NEMA 12

NEMA 3R Features

- NEMA 12 features plus:
- Outdoor Rated
- ED1-ED4: non-ventilated and wall mounted
- ED5: non-ventilated and floor mounted
- ED6-ED9: ventilated and floor mounted
- Weather kit (rain/sun/snow shield)
- Panel space heater + thermostat
- Lightning arrestor
- Service entrance rated



3-Contactor Bypass Option

- NEMA 12 or NEMA 3R version
- AC3 full rated by-pass contactor
- Drive input and output contactors
- Motor overload relay
- E-Stop Mushroom style pushbutton
- Enclosure size to be determined

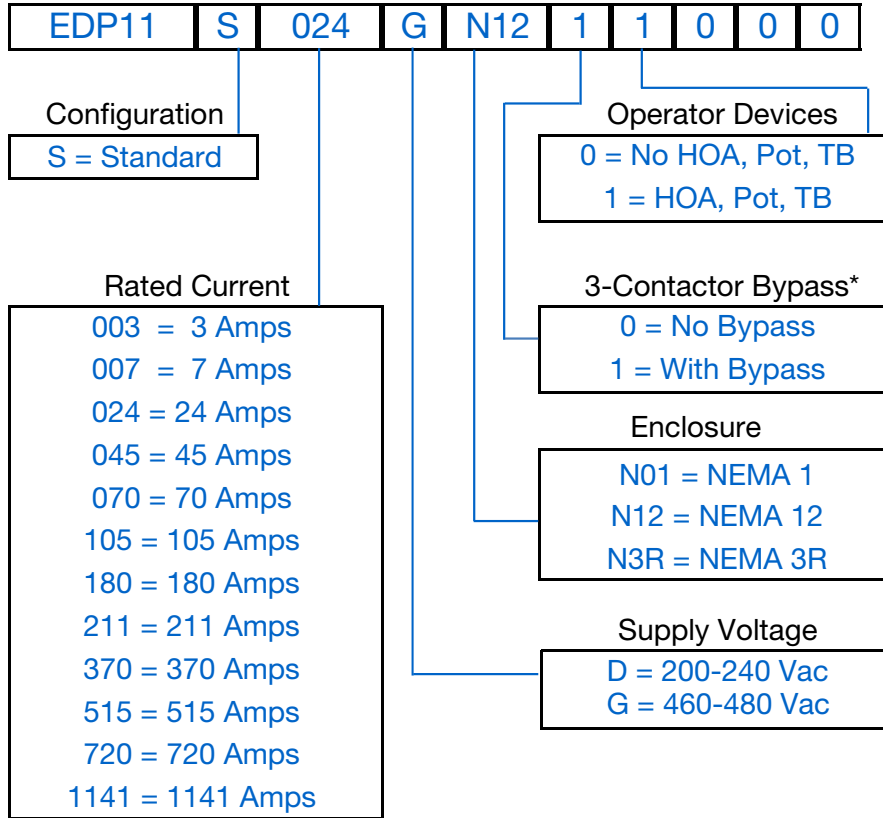
HOA/POT/TB Option

- HOA = Hand-OFF-Auto
- POT = Potentiometer for speed reference of PID setpoint
- TB = Auxiliary control terminal block for remote command

Variable Frequency Drives and Enclosed Motor Controls



EDP11 Catalog Number Sequence





Enclosed VFD Panel - NEMA 12 Enclosure (no By-Pass)

Motor Voltage	ND / VT1		HD / CT1		Catalog Number	Braking Transistor	Drive Frame Size	Enclosure Frame Size ⁴	Dimensions (in.) HxWxD ⁷	Approx. Weight (lbs.) ⁷	List Price	Multiplier
	Motor HP ²	Drive Amps ³	Motor HP ²	Drive Amps ³								
230 Vac	Input Power Supply: Three-Phase 220-240 Vac with Dynamic Braking Transistor											
	2	7.0	1 1/2	5.5	EDP11S007DN12	Yes	A	ED1	24 x 20 x 11.5	36	\$6,690	V1
	3	10	2	8.0	EDP11S010DN12	Yes	A	ED1	24 x 20 x 11.5	36	\$6,756	V1
	5	13	3	11	EDP11S013DN12	Yes	A	ED1	24 x 20 x 11.5	41	\$6,855	V1
	5	16	5	13	EDP11S016DN12	Yes	A	ED1	24 x 20 x 11.5	42	\$7,123	V1
	7 1/2	24	7 1/2	20	EDP11S024DN12	Yes	B	ED1	24 x 20 x 11.5	56	\$7,664	V1
	10	28	10	24	EDP11S028DN12	Yes	B	ED1	24 x 20 x 11.5	56	\$8,408	V1
	10	33.5	10	28	EDP11S033DN12	Yes	B	ED1	24 x 20 x 11.5	56	\$9,108	V1
	15	45	15	36	EDP11S045DN12	Yes	C	ED2	30 x 24 x 14	88	\$10,214	V1
	20	54	20	45	EDP11S054DN12	Yes	C	ED2	30 x 24 x 14	90	\$11,491	V1
	25	70	20	56	EDP11S070DN12	Yes	C	ED2	30 x 24 x 14	100	\$12,162	V1
	30	86	25	70	EDP11S086DN12	Yes	D	ED3	36 x 30 x 14	230	\$14,321	V1
	40	105	30	86	EDP11S105DN12	Yes	D	ED3	36 x 30 x 14	240	\$17,164	V1
	50	142	40	115	EDP11S142DN12	No	E ⁵	ED4	48 x 30 x 17.5	300	\$19,793	V1
	60	180	50	142	EDP11S180DN12	No	E ⁵	ED4	48 x 30 x 17.5	300	\$25,116	V1
75	211	60	180	EDP11S211DN12	No	E ⁵	ED4	48 x 30 x 17.5	300	\$28,326	V1	
460 Vac	Input Power Supply: Three-Phase 460-480 Vac with Dynamic Braking Transistor											
	2	3.6	2	3.6	EDP11S003GN12	Yes	A	ED1	24 x 20 x 11.5	36	\$6,510	V1
	3	5.0	3	5.0	EDP11S005GN12	Yes	A	ED1	24 x 20 x 11.5	36	\$6,626	V1
	5	7.0	3	5.5	EDP11S007GN12	Yes	A	ED1	24 x 20 x 11.5	41	\$6,690	V1
	7 1/2	10	5	10	EDP11S010GN12	Yes	A	ED1	24 x 20 x 11.5	42	\$6,756	V1
	10	13.5	7 1/2	11	EDP11S013GN12	Yes	A	ED1	24 x 20 x 11.5	42	\$6,855	V1
	10	17	10	13.5	EDP11S017GN12	Yes	B	ED1	24 x 20 x 11.5	56	\$7,269	V1
	15	24	10	19	EDP11S024GN12	Yes	B	ED1	24 x 20 x 11.5	56	\$7,821	V1
	20	31	15	25	EDP11S031GN12	Yes	B	ED1	24 x 20 x 11.5	56	\$8,580	V1
	25	38	20	33	EDP11S038GN12	Yes	C	ED2	30 x 24 x 14	90	\$9,293	V1
	30	45	25	38	EDP11S045GN12	Yes	C	ED2	30 x 24 x 14	104	\$10,422	V1
	40	58.5	30	47	EDP11S058GN12	Yes	C	ED2	30 x 24 x 14	110	\$12,026	V1
	50/60	70.5	40	61	EDP11S070GN12	Yes	D	ED3	36 x 30 x 14	240	\$12,729	V1
	75	88	50	73	EDP11S088GN12	Yes	D	ED3	36 x 30 x 14	245	\$14,988	V1
	75	105	75	88	EDP11S105GN12	No	E ⁵	ED4	48 x 30 x 17.5	300	\$17,964	V1
	100/125	142	75	115	EDP11S142GN12	No	E ⁵	ED4	48 x 30 x 17.5	300	\$20,715	V1
	150	180	100	142	EDP11S180GN12	No	E ⁵	ED4	48 x 30 x 17.5	300	\$26,286	V1
	175	211	125	180	EDP11S211GN12	No	E ⁵	ED4	48 x 30 x 17.5	300	\$29,645	V1
	200	242	150	211	EDP11S242GN12	No	F ⁵	ED6	83 x 32 x 37	700	\$40,755	V1
	250	312	200	242	EDP11S312GN12	No	F ⁵	ED6	83 x 32 x 37	720	\$45,114	V1
300	370	250	312	EDP11S370GN12	No	F ⁵	ED6	83 x 32 x 37	750	\$47,743	V1	
400	477	300	370	EDP11S477GN12	No	F ⁵	ED6	83 x 32 x 37	775	\$54,585	V1	
450	515	400	477	EDP11S515GN12	No	G ⁵	ED8	83 x 56 x 37	1100	\$66,023	V1	
500	601	450	515	EDP11S601GN12	No	G ⁵	ED8	83 x 56 x 37	1120	\$71,875	V1	
600	720	500	560	EDP11S720GN12	No	G ⁶	ED8	83 x 56 x 37	1150	\$88,556	V1	

Notes:

- 1) CT = Constant Torque, 150% overload / 60 sec.; VT = Variable Torque (Quadratic Load), 110% overload / 60 sec.
- 2) "HP" rating based on "average FLA values". Use as a guide only.
- 3) Motor FLA may vary with speed and manufacturer. ALWAYS compare motor FLA to Nominal AMPS of drive.
- 4) ED1 - ED5 enclosures are non-ventilated and wall-mounted; ED6 - ED9 enclosures are ventilated and floor mounted.
- 5) Maximum 45°C ambient temperature without derating
- 6) Maximum 40°C ambient temperature without derating
- 7) Dimensions and weights are for estimating purposes only. Only use "AS BUILT" drawings for construction. For other technical data please refer to WEG product manual.

EDP11 - ENGINEERED DRIVE PANEL

Enclosed VFD Panel - NEMA 12 Enclosure with By-Pass

Motor Voltage	ND / VT1		HD / CT1		Catalog Number	Braking Transistor	Drive Frame Size	Enclosure Frame Size 4	Dimensions (in.) HxWxD 7	Approx. Weight (lbs.) 7	List Price	Multiplier
	Motor HP 2	Drive Amps 3	Motor HP 2	Drive Amps 3								
230 Vac	Input Power Supply: Three-Phase 220-240 Vac with Dynamic Braking Transistor											
	2	7.0	1 1/2	5.5	EDP11S007DN1210000	Yes	A	ED2	30 x 24 x 14	36	\$8,200	V1
	3	10	2	8.0	EDP11S010DN1210000	Yes	A	ED2	30 x 24 x 14	36	\$8,276	V1
	5	13	3	11	EDP11S013DN1210000	Yes	A	ED2	30 x 24 x 14	41	\$8,375	V1
	5	16	5	13	EDP11S016DN1210000	Yes	A	ED2	30 x 24 x 14	42	\$8,643	V1
	7 1/2	24	7 1/2	20	EDP11S024DN1210000	Yes	B	ED2	30 x 24 x 14	56	\$9,262	V1
	10	28	10	24	EDP11S028DN1210000	Yes	B	ED2	30 x 24 x 14	56	\$10,200	V1
	10	33.5	10	28	EDP11S033DN1210000	Yes	B	ED2	30 x 24 x 14	56	\$11,011	V1
	15	45	15	36	EDP11S045DN1210000	Yes	C	ED3	36 x 30 x 14	88	\$12,316	V1
	20	54	20	45	EDP11S054DN1210000	Yes	C	ED3	36 x 30 x 14	90	\$13,738	V1
	25	70	20	56	EDP11S070DN1210000	Yes	C	ED3	36 x 30 x 14	100	\$14,857	V1
	30	86	25	70	EDP11S086DN1210000	Yes	D	ED4	48 x 30 x 17.5	230	\$17,016	V1
	40	105	30	86	EDP11S105DN1210000	Yes	D	ED4	48 x 30 x 17.5	240	\$20,052	V1
	50	142	40	115	EDP11S142DN1210000	No	E 5	ED5	72 x 36 x 18	300	\$24,778	V1
	60	180	50	142	EDP11S180DN1210000	No	E 5	ED5	72 x 36 x 18	300	\$31,111	V1
75	211	60	180	EDP11S211DN1210000	No	E 5	ED5	72 x 36 x 18	300	\$35,651	V1	
460 Vac	Input Power Supply: Three-Phase 460-480 Vac with Dynamic Braking Transistor											
	2	3.6	2	3.6	EDP11S003GN1210000	Yes	A	ED2	30 x 24 x 14	36	\$8,020	V1
	3	5.0	3	5.0	EDP11S005GN1210000	Yes	A	ED2	30 x 24 x 14	36	\$8,136	V1
	5	7.0	3	5.5	EDP11S007GN1210000	Yes	A	ED2	30 x 24 x 14	41	\$8,200	V1
	7 1/2	10	5	10	EDP11S010GN1210000	Yes	A	ED2	30 x 24 x 14	42	\$8,276	V1
	10	13.5	7 1/2	11	EDP11S013GN1210000	Yes	A	ED2	30 x 24 x 14	42	\$8,375	V1
	10	17	10	13.5	EDP11S017GN1210000	Yes	B	ED2	30 x 24 x 14	56	\$8,867	V1
	15	24	10	19	EDP11S024GN1210000	Yes	B	ED2	30 x 24 x 14	56	\$9,613	V1
	20	31	15	25	EDP11S031GN1210000	Yes	B	ED2	30 x 24 x 14	56	\$10,483	V1
	25	38	20	33	EDP11S038GN1210000	Yes	C	ED3	36 x 30 x 14	90	\$11,395	V1
	30	45	25	38	EDP11S045GN1210000	Yes	C	ED3	36 x 30 x 14	104	\$12,669	V1
	40	58.5	30	47	EDP11S058GN1210000	Yes	C	ED3	36 x 30 x 14	110	\$14,721	V1
	50/60	70.5	40	61	EDP11S070GN1210000	Yes	D	ED4	48 x 30 x 17.5	240	\$15,424	V1
	75	88	50	73	EDP11S088GN1210000	Yes	D	ED4	48 x 30 x 17.5	245	\$17,876	V1
	75	105	75	88	EDP11S105GN1210000	No	E 5	ED5	72 x 36 x 18	300	\$21,308	V1
	100/125	142	75	115	EDP11S142GN1210000	No	E 5	ED5	72 x 36 x 18	300	\$25,700	V1
	150	180	100	142	EDP11S180GN1210000	No	E 5	ED5	72 x 36 x 18	300	\$32,281	V1
	175	211	125	180	EDP11S211GN1210000	No	E 5	ED5	72 x 36 x 18	300	\$36,970	V1
	200	242	150	211	EDP11S242GN1210000	No	F 5	ED7	83 x 64 x 37	700	\$53,334	V1
	250	312	200	242	EDP11S312GN1210000	No	F 5	ED7	83 x 64 x 37	720	\$59,257	V1
	300	370	250	312	EDP11S370GN1210000	No	F 5	ED7	83 x 64 x 37	750	\$62,146	V1
400	477	300	370	EDP11S477GN1210000	No	F 5	ED7	83 x 64 x 37	775	\$76,618	V1	
450	515	400	477	EDP11S515GN1210000	No	G 5	ED9	83 x 95 x 37	1100	\$88,056	V1	
500	601	450	515	EDP11S601GN1210000	No	G 5	ED9	83 x 95 x 37	1120	\$99,447	V1	
600	720	500	560	EDP11S720GN1210000	No	G 6	ED9	83 x 95 x 37	1150	\$119,944	V1	

Notes:

- 1) CT = Constant Torque, 150% overload / 60 sec.; VT = Variable Torque (Quadratic Load), 110% overload / 60 sec.
 - 2) "HP" rating based on "average FLA values". Use as a guide only.
 - 3) Motor FLA may vary with speed and manufacturer. ALWAYS compare motor FLA to Nominal AMPS of drive.
 - 4) ED1 - ED5 enclosures are non-ventilated and wall-mounted; ED6 - ED9 enclosures are ventilated and floor mounted.
 - 5) Maximum 45°C ambient temperature without derating
 - 6) Maximum 40°C ambient temperature without derating
 - 7) Dimensions and weights are for estimating purposes only. Only use "AS BUILT" drawings for construction.
- For other technical data please refer to WEG product manual.

Variable Frequency Drives and Enclosed Motor Controls



Enclosed VFD Panel - NEMA 12 Enclosure (no By-Pass) with HOA / Pot / TB

Motor Voltage	ND / VT1		HD / CT1		Catalog Number	Braking Transistor	Drive Frame Size	Enclosure Frame Size ⁴	Dimensions (in.) HxWxD ⁷	Approx. Weight (lbs.) ⁷	List Price	Multiplier
	Motor HP ²	Drive Amps ³	Motor HP ²	Drive Amps ³								
230 Vac	Input Power Supply: Three-Phase 220-240 Vac with Dynamic Braking Transistor											
	2	7.0	1 1/2	5.5	EDP11S007DN1201000	Yes	A	ED1	30 x 24 x 14	36	\$7,453	V1
	3	10	2	8.0	EDP11S010DN1201000	Yes	A	ED1	30 x 24 x 14	36	\$7,519	V1
	5	13	3	11	EDP11S013DN1201000	Yes	A	ED1	30 x 24 x 14	41	\$7,618	V1
	5	16	5	13	EDP11S016DN1201000	Yes	A	ED1	30 x 24 x 14	42	\$7,886	V1
	7 1/2	24	7 1/2	20	EDP11S024DN1201000	Yes	B	ED1	30 x 24 x 14	56	\$8,427	V1
	10	28	10	24	EDP11S028DN1201000	Yes	B	ED1	30 x 24 x 14	56	\$9,171	V1
	10	33.5	10	28	EDP11S033DN1201000	Yes	B	ED1	30 x 24 x 14	56	\$9,871	V1
	15	45	15	36	EDP11S045DN1201000	Yes	C	ED2	36 x 30 x 14	88	\$10,977	V1
	20	54	20	45	EDP11S054DN1201000	Yes	C	ED2	36 x 30 x 14	90	\$12,254	V1
	25	70	20	56	EDP11S070DN1201000	Yes	C	ED2	36 x 30 x 14	100	\$12,925	V1
	30	86	25	70	EDP11S086DN1201000	Yes	D	ED3	48 x 30 x 17.5	230	\$15,084	V1
	40	105	30	86	EDP11S105DN1201000	Yes	D	ED3	48 x 30 x 17.5	240	\$17,927	V1
	50	142	40	115	EDP11S142DN1201000	No	E ⁵	ED4	72 x 36 x 18	300	\$20,556	V1
	60	180	50	142	EDP11S180DN1201000	No	E ⁵	ED4	72 x 36 x 18	300	\$25,879	V1
75	211	60	180	EDP11S211DN1201000	No	E ⁵	ED4	72 x 36 x 18	300	\$29,089	V1	
460 Vac	Input Power Supply: Three-Phase 460-480 Vac with Dynamic Braking Transistor											
	2	3.6	2	3.6	EDP11S003GN1201000	Yes	A	ED1	30 x 24 x 14	36	\$7,273	V1
	3	5.0	3	5.0	EDP11S005GN1201000	Yes	A	ED1	30 x 24 x 14	36	\$7,389	V1
	5	7.0	3	5.5	EDP11S007GN1201000	Yes	A	ED1	30 x 24 x 14	41	\$7,453	V1
	7 1/2	10	5	10	EDP11S010GN1201000	Yes	A	ED1	30 x 24 x 14	42	\$7,519	V1
	10	13.5	7 1/2	11	EDP11S013GN1201000	Yes	A	ED1	30 x 24 x 14	42	\$7,618	V1
	10	17	10	13.5	EDP11S017GN1201000	Yes	B	ED1	30 x 24 x 14	56	\$8,032	V1
	15	24	10	19	EDP11S024GN1201000	Yes	B	ED1	30 x 24 x 14	56	\$8,584	V1
	20	31	15	25	EDP11S031GN1201000	Yes	B	ED1	30 x 24 x 14	56	\$9,343	V1
	25	38	20	33	EDP11S038GN1201000	Yes	C	ED2	36 x 30 x 14	90	\$10,056	V1
	30	45	25	38	EDP11S045GN1201000	Yes	C	ED2	36 x 30 x 14	104	\$11,185	V1
	40	58.5	30	47	EDP11S058GN1201000	Yes	C	ED2	36 x 30 x 14	110	\$12,789	V1
	50/60	70.5	40	61	EDP11S070GN1201000	Yes	D	ED3	48 x 30 x 17.5	240	\$13,492	V1
	75	88	50	73	EDP11S088GN1201000	Yes	D	ED3	48 x 30 x 17.5	245	\$15,751	V1
	75	105	75	88	EDP11S105GN1201000	No	E ⁵	ED4	48 x 30 x 17.5	300	\$18,727	V1
	100/125	142	75	115	EDP11S142GN1201000	No	E ⁵	ED4	48 x 30 x 17.5	300	\$21,478	V1
	150	180	100	142	EDP11S180GN1201000	No	E ⁵	ED4	48 x 30 x 17.5	300	\$27,049	V1
	175	211	125	180	EDP11S211GN1201000	No	E ⁵	ED4	48 x 30 x 17.5	300	\$30,408	V1
	200	242	150	211	EDP11S242GN1201000	No	F ⁵	ED6	83 x 64 x 37	700	\$41,613	V1
	250	312	200	242	EDP11S312GN1201000	No	F ⁵	ED6	83 x 64 x 37	720	\$45,972	V1
300	370	250	312	EDP11S370GN1201000	No	F ⁵	ED6	83 x 64 x 37	750	\$48,601	V1	
400	477	300	370	EDP11S477GN1201000	No	F ⁵	ED6	83 x 64 x 37	775	\$55,443	V1	
450	515	400	477	EDP11S515GN1201000	No	G ⁵	ED8	83 x 95 x 37	1100	\$66,881	V1	
500	601	450	515	EDP11S601GN1201000	No	G ⁵	ED8	83 x 95 x 37	1120	\$72,733	V1	
600	720	500	560	EDP11S720GN1201000	No	G ⁶	ED8	83 x 95 x 37	1150	\$89,414	V1	

Notes:

- 1) CT = Constant Torque, 150% overload / 60 sec.; VT = Variable Torque (Quadratic Load), 110% overload / 60 sec.
- 2) "HP" rating based on "average FLA values". Use as a guide only.
- 3) Motor FLA may vary with speed and manufacturer. ALWAYS compare motor FLA to Nominal AMPS of drive.
- 4) ED1 - ED5 enclosures are non-ventilated and wall-mounted; ED6 - ED9 enclosures are ventilated and floor mounted.
- 5) Maximum 45°C ambient temperature without derating
- 6) Maximum 40°C ambient temperature without derating
- 7) Dimensions and weights are for estimating purposes only. Only use "AS BUILT" drawings for construction. For other technical data please refer to WEG product manual.

EDP11 - Enclosed VFD Panel

Enclosed VFD Panel - NEMA 12 Enclosure with By-Pass and HOA / Pot / TB

Motor Voltage	ND / VT1		HD / CT1		Catalog Number	Braking Transistor	Drive Frame Size	Enclosure Frame Size ⁴	Dimensions (in.) HxWxD ⁷	Approx. Weight (lbs.) ⁷	List Price	Multiplier
	Motor HP ²	Drive Amps ³	Motor HP ²	Drive Amps ³								
230 Vac	Input Power Supply: Three-Phase 220-240 Vac with Dynamic Braking Transistor											
	2	7.0	1 1/2	5.5	EDP11S007DN1211000	Yes	A	ED2	30 x 24 x 14	36	\$8,963	V1
	3	10	2	8.0	EDP11S010DN1211000	Yes	A	ED2	30 x 24 x 14	36	\$9,039	V1
	5	13	3	11	EDP11S013DN1211000	Yes	A	ED2	30 x 24 x 14	41	\$9,138	V1
	5	16	5	13	EDP11S016DN1211000	Yes	A	ED2	30 x 24 x 14	42	\$9,406	V1
	7 1/2	24	7 1/2	20	EDP11S024DN1211000	Yes	B	ED2	30 x 24 x 14	56	\$10,025	V1
	10	28	10	24	EDP11S028DN1211000	Yes	B	ED2	30 x 24 x 14	56	\$10,963	V1
	10	33.5	10	28	EDP11S033DN1211000	Yes	B	ED2	30 x 24 x 14	56	\$11,774	V1
	15	45	15	36	EDP11S045DN1211000	Yes	C	ED3	36 x 30 x 14	88	\$13,079	V1
	20	54	20	45	EDP11S054DN1211000	Yes	C	ED3	36 x 30 x 14	90	\$14,501	V1
	25	70	20	56	EDP11S070DN1211000	Yes	C	ED3	36 x 30 x 14	100	\$15,620	V1
	30	86	25	70	EDP11S086DN1211000	Yes	D	ED4	48 x 30 x 17.5	230	\$17,779	V1
	40	105	30	86	EDP11S105DN1211000	Yes	D	ED4	48 x 30 x 17.5	240	\$20,815	V1
	50	142	40	115	EDP11S142DN1211000	No	E ⁵	ED5	72 x 36 x 18	300	\$25,541	V1
	60	180	50	142	EDP11S180DN1211000	No	E ⁵	ED5	72 x 36 x 18	300	\$31,874	V1
75	211	60	180	EDP11S211DN1211000	No	E ⁵	ED5	72 x 36 x 18	300	\$36,414	V1	
460 Vac	Input Power Supply: Three-Phase 460-480 Vac with Dynamic Braking Transistor											
	2	3.6	2	3.6	EDP11S003GN1211000	Yes	A	ED2	30 x 24 x 14	36	\$8,783	V1
	3	5.0	3	5.0	EDP11S005GN1211000	Yes	A	ED2	30 x 24 x 14	36	\$8,899	V1
	5	7.0	3	5.5	EDP11S007GN1211000	Yes	A	ED2	30 x 24 x 14	41	\$8,963	V1
	7 1/2	10	5	10	EDP11S010GN1211000	Yes	A	ED2	30 x 24 x 14	42	\$9,039	V1
	10	13.5	7 1/2	11	EDP11S013GN1211000	Yes	A	ED2	30 x 24 x 14	42	\$9,138	V1
	10	17	10	13.5	EDP11S017GN1211000	Yes	B	ED2	30 x 24 x 14	56	\$9,630	V1
	15	24	10	19	EDP11S024GN1211000	Yes	B	ED2	30 x 24 x 14	56	\$10,376	V1
	20	31	15	25	EDP11S031GN1211000	Yes	B	ED2	30 x 24 x 14	56	\$11,246	V1
	25	38	20	33	EDP11S038GN1211000	Yes	C	ED3	36 x 30 x 14	90	\$12,158	V1
	30	45	25	38	EDP11S045GN1211000	Yes	C	ED3	36 x 30 x 14	104	\$13,432	V1
	40	58.5	30	47	EDP11S058GN1211000	Yes	C	ED3	36 x 30 x 14	110	\$15,484	V1
	50/60	70.5	40	61	EDP11S070GN1211000	Yes	D	ED4	48 x 30 x 17.5	240	\$16,187	V1
	75	88	50	73	EDP11S088GN1211000	Yes	D	ED4	48 x 30 x 17.5	245	\$18,639	V1
	75	105	75	88	EDP11S105GN1211000	No	E ⁵	ED5	72 x 36 x 18	300	\$22,071	V1
	100/125	142	75	115	EDP11S142GN1211000	No	E ⁵	ED5	72 x 36 x 18	300	\$26,463	V1
	150	180	100	142	EDP11S180GN1211000	No	E ⁵	ED5	72 x 36 x 18	300	\$33,044	V1
	175	211	125	180	EDP11S211GN1211000	No	E ⁵	ED5	72 x 36 x 18	300	\$37,733	V1
	200	242	150	211	EDP11S242GN1211000	No	F ⁵	ED7	83 x 64 x 37	700	\$54,097	V1
	250	312	200	242	EDP11S312GN1211000	No	F ⁵	ED7	83 x 64 x 37	720	\$60,115	V1
300	370	250	312	EDP11S370GN1211000	No	F ⁵	ED7	83 x 64 x 37	750	\$63,004	V1	
400	477	300	370	EDP11S477GN1211000	No	F ⁵	ED7	83 x 64 x 37	775	\$77,476	V1	
450	515	400	477	EDP11S515GN1211000	No	G ⁵	ED9	83 x 95 x 37	1100	\$88,914	V1	
500	601	450	515	EDP11S601GN1211000	No	G ⁵	ED9	83 x 95 x 37	1120	\$100,305	V1	
600	720	500	560	EDP11S720GN1211000	No	G ⁶	ED9	83 x 95 x 37	1150	\$120,802	V1	

Notes:
 1) CT = Constant Torque, 150% overload / 60 sec.; VT = Variable Torque (Quadratic Load), 110% overload / 60 sec.
 2) "HP" rating based on "average FLA values". Use as a guide only.
 3) Motor FLA may vary with speed and manufacturer. ALWAYS compare motor FLA to Nominal AMPS of drive.

4) ED1 - ED5 enclosures are non-ventilated and wall-mounted; ED6 - ED9 enclosures are ventilated and floor mounted.
 5) Maximum 45°C ambient temperature without derating
 6) Maximum 40°C ambient temperature without derating
 7) Dimensions and weights are for estimating purposes only. Only use "AS BUILT" drawings for construction. For other technical data please refer to WEG product manual.



Enclosed VFD Panel - NEMA 3R Enclosure (no By-Pass)

Motor Voltage	ND / VT1		HD / CT1		Catalog Number	Braking Transistor	Drive Frame Size	Enclosure Frame Size ⁴	Dimensions (in.) HxWxD ⁷	Approx. Weight (lbs.) ⁷	List Price	Multiplier
	Motor HP ²	Drive Amps ³	Motor HP ²	Drive Amps ³								
230 Vac	Input Power Supply: Three-Phase 220-240 Vac with Dynamic Braking Transistor											
	2	7.0	1 1/2	5.5	EDP11S007DN3R	Yes	A ⁵	ED1	26.5 x 20 x 11.5	36	\$8,521	V1
	3	10	2	8.0	EDP11S010DN3R	Yes	A ⁵	ED1	26.5 x 20 x 11.5	36	\$8,587	V1
	5	13	3	11	EDP11S013DN3R	Yes	A ⁵	ED1	26.5 x 20 x 11.5	41	\$8,686	V1
	5	16	5	13	EDP11S016DN3R	Yes	A ⁵	ED1	26.5 x 20 x 11.5	42	\$8,918	V1
	7 1/2	24	7 1/2	20	EDP11S024DN3R	Yes	B ⁵	ED1	26.5 x 20 x 11.5	56	\$9,459	V1
	10	28	10	24	EDP11S028DN3R	Yes	B ⁵	ED1	26.5 x 20 x 11.5	56	\$10,202	V1
	10	33.5	10	28	EDP11S033DN3R	Yes	B ⁵	ED1	26.5 x 20 x 11.5	56	\$10,902	V1
	15	45	15	36	EDP11S045DN3R	Yes	C ⁵	ED2	32.5 x 24 x 14	88	\$12,122	V1
	20	54	20	45	EDP11S054DN3R	Yes	C ⁵	ED2	32.5 x 24 x 14	90	\$13,400	V1
	25	70	20	56	EDP11S070DN3R	Yes	C ⁵	ED2	32.5 x 24 x 14	100	\$14,162	V1
	30	86	25	70	EDP11S086DN3R	Yes	D ⁵	ED3	38.5 x 30 x 14	230	\$16,320	V1
	40	105	30	86	EDP11S105DN3R	Yes	D ⁵	ED3	38.5 x 30 x 14	240	\$19,338	V1
	50	142	40	115	EDP11S142DN3R	No	E ⁶	ED4	50.5 x 30 x 17.5	300	\$21,967	V1
60	180	50	142	EDP11S180DN3R	No	E ⁶	ED4	50.5 x 30 x 17.5	300	\$27,290	V1	
75	211	60	180	EDP11S211DN3R	No	E ⁶	ED4	50.5 x 30 x 17.5	300	\$30,499	V1	
460 Vac	Input Power Supply: Three-Phase 460-480 Vac with Dynamic Braking Transistor											
	2	3.6	2	3.6	EDP11S003GN3R	Yes	A ⁵	ED1	26.5 x 20 x 11.5	36	\$8,341	V1
	3	5.0	3	5.0	EDP11S005GN3R	Yes	A ⁵	ED1	26.5 x 20 x 11.5	36	\$8,457	V1
	5	7.0	3	5.5	EDP11S007GN3R	Yes	A ⁵	ED1	26.5 x 20 x 11.5	41	\$8,521	V1
	7 1/2	10	5	10	EDP11S010GN3R	Yes	A ⁵	ED1	26.5 x 20 x 11.5	42	\$8,587	V1
	10	13.5	7 1/2	11	EDP11S013GN3R	Yes	A ⁵	ED1	26.5 x 20 x 11.5	42	\$8,686	V1
	10	17	10	13.5	EDP11S017GN3R	Yes	B ⁵	ED1	26.5 x 20 x 11.5	56	\$9,100	V1
	15	24	10	19	EDP11S024GN3R	Yes	B ⁵	ED1	26.5 x 20 x 11.5	56	\$9,652	V1
	20	31	15	25	EDP11S031GN3R	Yes	B ⁵	ED1	26.5 x 20 x 11.5	56	\$10,411	V1
	25	38	20	33	EDP11S038GN3R	Yes	C ⁵	ED2	32.5 x 24 x 14	90	\$11,125	V1
	30	45	25	38	EDP11S045GN3R	Yes	C ⁵	ED2	32.5 x 24 x 14	104	\$12,369	V1
	40	58.5	30	47	EDP11S058GN3R	Yes	C ⁵	ED2	32.5 x 24 x 14	110	\$13,673	V1
	50/60	70.5	40	61	EDP11S070GN3R	Yes	D ⁵	ED3	38.5 x 30 x 14	240	\$14,451	V1
	75	88	50	73	EDP11S088GN3R	Yes	D ⁵	ED3	38.5 x 30 x 14	245	\$16,653	V1
	75	105	75	88	EDP11S105GN3R	No	E ⁶	ED4	50.5 x 30 x 17.5	300	\$19,733	V1
	100/125	142	75	115	EDP11S142GN3R	No	E ⁶	ED4	50.5 x 30 x 17.5	300	\$22,415	V1
	150	180	100	142	EDP11S180GN3R	No	E ⁶	ED4	50.5 x 30 x 17.5	300	\$27,847	V1
	175	211	125	180	EDP11S211GN3R	No	E ⁶	ED4	50.5 x 30 x 17.5	300	\$31,122	V1
	200	242	150	211	EDP11S242GN3R	No	F ⁶	ED6	83 x 32 x 41	700	\$45,693	V1
	250	312	200	242	EDP11S312GN3R	No	F ⁶	ED6	83 x 32 x 41	720	\$50,053	V1
300	370	250	312	EDP11S370GN3R	No	F ⁶	ED6	83 x 32 x 41	750	\$52,682	V1	
400	477	300	370	EDP11S477GN3R	No	F ⁶	ED6	83 x 32 x 41	775	\$59,523	V1	
450	515	400	477	EDP11S515GN3R	No	G ⁶	ED8	83 x 56 x 37	1100	\$71,976	V1	
500	601	450	515	EDP11S601GN3R	No	G ⁶	ED8	83 x 56 x 37	1120	\$77,828	V1	
600	720	500	560	EDP11S720GN3R	No	G ⁷	ED8	83 x 56 x 37	1150	\$94,509	V1	

Variable Frequency Drives and Enclosed Motor Controls

Notes:
 1) CT = Constant Torque, 150% overload / 60 sec.; VT = Variable Torque (Quadratic Load), 110% overload / 60 sec.
 2) "HP" rating based on "average FLA values". Use as a guide only.
 3) Motor FLA may vary with speed and manufacturer. ALWAYS compare motor FLA to Nominal AMPS of drive.
 4) ED1 - ED4 enclosures are non-ventilated and wall-mounted; ED6 - ED9 enclosures are ventilated and floor mounted.
 5) Maximum 45°C ambient temperature without derating
 6) Maximum 40°C ambient temperature without derating
 7) Maximum 38°C ambient temperature without derating
 8) Dimensions and weights are for estimating purposes only. Only use "AS BUILT" drawings for construction.
 For other technical data please refer to WEG product manual.

EDP11 - ENGINEERED DRIVE PANEL

Enclosed VFD Panel - NEMA 3R Enclosure with By-Pass

Motor Voltage	ND / VT1		HD / CT1		Catalog Number	Braking Transistor	Drive Frame Size	Enclosure Frame Size ⁴	Dimensions (in.) HxWxD ⁷	Approx. Weight (lbs.) ⁷	List Price	Multiplier
	Motor HP ²	Drive Amps ³	Motor HP ²	Drive Amps ³								
230 Vac	Input Power Supply: Three-Phase 220-240 Vac with Dynamic Braking Transistor											
	2	7.0	1 1/2	5.5	EDP11S007DN3R10000	Yes	A ⁵	ED2	26.5 x 20 x 11.5	36	\$10,031	V1
	3	10	2	8.0	EDP11S010DN3R10000	Yes	A ⁵	ED2	26.5 x 20 x 11.5	36	\$10,107	V1
	5	13	3	11	EDP11S013DN3R10000	Yes	A ⁵	ED2	26.5 x 20 x 11.5	41	\$10,206	V1
	5	16	5	13	EDP11S016DN3R10000	Yes	A ⁵	ED2	26.5 x 20 x 11.5	42	\$10,438	V1
	7 1/2	24	7 1/2	20	EDP11S024DN3R10000	Yes	B ⁵	ED2	26.5 x 20 x 11.5	56	\$11,057	V1
	10	28	10	24	EDP11S028DN3R10000	Yes	B ⁵	ED2	26.5 x 20 x 11.5	56	\$11,994	V1
	10	33.5	10	28	EDP11S033DN3R10000	Yes	B ⁵	ED2	26.5 x 20 x 11.5	56	\$12,805	V1
	15	45	15	36	EDP11S045DN3R10000	Yes	C ⁵	ED3	32.5 x 24 x 14	88	\$14,224	V1
	20	54	20	45	EDP11S054DN3R10000	Yes	C ⁵	ED3	32.5 x 24 x 14	90	\$15,647	V1
	25	70	20	56	EDP11S070DN3R10000	Yes	C ⁵	ED3	32.5 x 24 x 14	100	\$16,857	V1
	30	86	25	70	EDP11S086DN3R10000	Yes	D ⁵	ED4	38.5 x 30 x 14	230	\$19,015	V1
	40	105	30	86	EDP11S105DN3R10000	Yes	D ⁵	ED4	38.5 x 30 x 14	240	\$22,226	V1
	50	142	40	115	EDP11S142DN3R10000	No	E ⁶	ED5	50.5 x 30 x 17.5	300	\$26,952	V1
	60	180	50	142	EDP11S180DN3R10000	No	E ⁶	ED5	50.5 x 30 x 17.5	300	\$33,285	V1
75	211	60	180	EDP11S211DN3R10000	No	E ⁶	ED5	50.5 x 30 x 17.5	300	\$37,824	V1	
460 Vac	Input Power Supply: Three-Phase 460-480 Vac with Dynamic Braking Transistor											
	2	3.6	2	3.6	EDP11S003GN3R10000	Yes	A ⁵	ED2	26.5 x 20 x 11.5	36	\$9,851	V1
	3	5.0	3	5.0	EDP11S005GN3R10000	Yes	A ⁵	ED2	26.5 x 20 x 11.5	36	\$9,967	V1
	5	7.0	3	5.5	EDP11S007GN3R10000	Yes	A ⁵	ED2	26.5 x 20 x 11.5	41	\$10,031	V1
	7 1/2	10	5	10	EDP11S010GN3R10000	Yes	A ⁵	ED2	26.5 x 20 x 11.5	42	\$10,107	V1
	10	13.5	7 1/2	11	EDP11S013GN3R10000	Yes	A ⁵	ED2	26.5 x 20 x 11.5	42	\$10,206	V1
	10	17	10	13.5	EDP11S017GN3R10000	Yes	B ⁵	ED2	26.5 x 20 x 11.5	56	\$10,698	V1
	15	24	10	19	EDP11S024GN3R10000	Yes	B ⁵	ED2	26.5 x 20 x 11.5	56	\$11,444	V1
	20	31	15	25	EDP11S031GN3R10000	Yes	B ⁵	ED2	26.5 x 20 x 11.5	56	\$12,314	V1
	25	38	20	33	EDP11S038GN3R10000	Yes	C ⁵	ED3	32.5 x 24 x 14	90	\$13,227	V1
	30	45	25	38	EDP11S045GN3R10000	Yes	C ⁵	ED3	32.5 x 24 x 14	104	\$14,616	V1
	40	58.5	30	47	EDP11S058GN3R10000	Yes	C ⁵	ED3	32.5 x 24 x 14	110	\$16,368	V1
	50/60	70.5	40	61	EDP11S070GN3R10000	Yes	D ⁵	ED4	38.5 x 30 x 14	240	\$17,146	V1
	75	88	50	73	EDP11S088GN3R10000	Yes	D ⁵	ED4	38.5 x 30 x 14	245	\$19,541	V1
	75	105	75	88	EDP11S105GN3R10000	No	E ⁶	ED5	50.5 x 30 x 17.5	300	\$23,077	V1
	100/125	142	75	115	EDP11S142GN3R10000	No	E ⁶	ED5	50.5 x 30 x 17.5	300	\$27,400	V1
	150	180	100	142	EDP11S180GN3R10000	No	E ⁶	ED5	50.5 x 30 x 17.5	300	\$33,842	V1
	175	211	125	180	EDP11S211GN3R10000	No	E ⁶	ED5	50.5 x 30 x 17.5	300	\$38,447	V1
	200	242	150	211	EDP11S242GN3R10000	No	F ⁶	ED7	83 x 32 x 41	700	\$58,272	V1
	250	312	200	242	EDP11S312GN3R10000	No	F ⁶	ED7	83 x 32 x 41	720	\$64,196	V1
300	370	250	312	EDP11S370GN3R10000	No	F ⁶	ED7	83 x 32 x 41	750	\$67,085	V1	
400	477	300	370	EDP11S477GN3R10000	No	F ⁶	ED7	83 x 32 x 41	775	\$81,556	V1	
450	515	400	477	EDP11S515GN3R10000	No	G ⁶	ED9	83 x 56 x 37	1100	\$94,009	V1	
500	601	450	515	EDP11S601GN3R10000	No	G ⁶	ED9	83 x 56 x 37	1120	\$105,400	V1	
600	720	500	560	EDP11S720GN3R10000	No	G ⁷	ED9	83 x 56 x 37	1150	\$125,897	V1	

Notes:

- 1) CT = Constant Torque, 150% overload / 60 sec.; VT = Variable Torque (Quadratic Load), 110% overload / 60 sec.
- 2) "HP" rating based on "average FLA values". Use as a guide only.
- 3) Motor FLA may vary with speed and manufacturer. ALWAYS compare motor FLA to Nominal AMPS of drive.
- 4) ED1 - ED4 enclosures are non-ventilated and wall-mounted; ED6 - ED9 enclosures are ventilated and floor mounted.
- 5) Maximum 45°C ambient temperature without derating
- 6) Maximum 40°C ambient temperature without derating
- 7) Maximum 38°C ambient temperature without derating
- 8) Dimensions and weights are for estimating purposes only. Only use "AS BUILT" drawings for construction. For other technical data please refer to WEG product manual.

Variable Frequency Drives and Enclosed Motor Controls



Enclosed VFD Panel - NEMA 3R Enclosure (no By-Pass) with HOA / Pot / TB

Motor Voltage	ND / VT1		HD / CT1		Catalog Number	Braking Transistor	Drive Frame Size	Enclosure Frame Size 4	Dimensions (in.) HxWxD 7	Approx. Weight (lbs.) 7	List Price	Multiplier
	Motor HP 2	Drive Amps 3	Motor HP 2	Drive Amps 3								
230 Vac	Input Power Supply: Three-Phase 220-240 Vac with Dynamic Braking Transistor											
	2	7.0	1 1/2	5.5	EDP11S007DN3R01000	Yes	A 5	ED1	26.5 x 20 x 11.5	36	\$9,284	V1
	3	10	2	8.0	EDP11S010DN3R01000	Yes	A 5	ED1	26.5 x 20 x 11.5	36	\$9,350	V1
	5	13	3	11	EDP11S013DN3R01000	Yes	A 5	ED1	26.5 x 20 x 11.5	41	\$9,449	V1
	5	16	5	13	EDP11S016DN3R01000	Yes	A 5	ED1	26.5 x 20 x 11.5	42	\$9,681	V1
	7 1/2	24	7 1/2	20	EDP11S024DN3R01000	Yes	B 5	ED1	26.5 x 20 x 11.5	56	\$10,222	V1
	10	28	10	24	EDP11S028DN3R01000	Yes	B 5	ED1	26.5 x 20 x 11.5	56	\$10,965	V1
	10	33.5	10	28	EDP11S033DN3R01000	Yes	B 5	ED1	26.5 x 20 x 11.5	56	\$11,665	V1
	15	45	15	36	EDP11S045DN3R01000	Yes	C 5	ED2	32.5 x 24 x 14	88	\$12,885	V1
	20	54	20	45	EDP11S054DN3R01000	Yes	C 5	ED2	32.5 x 24 x 14	90	\$14,163	V1
	25	70	20	56	EDP11S070DN3R01000	Yes	C 5	ED2	32.5 x 24 x 14	100	\$14,925	V1
	30	86	25	70	EDP11S086DN3R01000	Yes	D 5	ED3	38.5 x 30 x 14	230	\$17,083	V1
	40	105	30	86	EDP11S105DN3R01000	Yes	D 5	ED3	38.5 x 30 x 14	240	\$20,101	V1
	50	142	40	115	EDP11S142DN3R01000	No	E 6	ED4	50.5 x 30 x 17.5	300	\$22,730	V1
60	180	50	142	EDP11S180DN3R01000	No	E 6	ED4	50.5 x 30 x 17.5	300	\$28,053	V1	
75	211	60	180	EDP11S211DN3R01000	No	E 6	ED4	50.5 x 30 x 17.5	300	\$31,262	V1	
460 Vac	Input Power Supply: Three-Phase 460-480 Vac with Dynamic Braking Transistor											
	2	3.6	2	3.6	EDP11S003GN3R01000	Yes	A 5	ED1	26.5 x 20 x 11.5	36	\$9,104	V1
	3	5.0	3	5.0	EDP11S005GN3R01000	Yes	A 5	ED1	26.5 x 20 x 11.5	36	\$9,220	V1
	5	7.0	3	5.5	EDP11S007GN3R01000	Yes	A 5	ED1	26.5 x 20 x 11.5	41	\$9,284	V1
	7 1/2	10	5	10	EDP11S010GN3R01000	Yes	A 5	ED1	26.5 x 20 x 11.5	42	\$9,350	V1
	10	13.5	7 1/2	11	EDP11S013GN3R01000	Yes	A 5	ED1	26.5 x 20 x 11.5	42	\$9,449	V1
	10	17	10	13.5	EDP11S017GN3R01000	Yes	B 5	ED1	26.5 x 20 x 11.5	56	\$9,863	V1
	15	24	10	19	EDP11S024GN3R01000	Yes	B 5	ED1	26.5 x 20 x 11.5	56	\$10,415	V1
	20	31	15	25	EDP11S031GN3R01000	Yes	B 5	ED1	26.5 x 20 x 11.5	56	\$11,174	V1
	25	38	20	33	EDP11S038GN3R01000	Yes	C 5	ED2	32.5 x 24 x 14	90	\$11,888	V1
	30	45	25	38	EDP11S045GN3R01000	Yes	C 5	ED2	32.5 x 24 x 14	104	\$13,132	V1
	40	58.5	30	47	EDP11S058GN3R01000	Yes	C 5	ED2	32.5 x 24 x 14	110	\$14,436	V1
	50/60	70.5	40	61	EDP11S070GN3R01000	Yes	D 5	ED3	38.5 x 30 x 14	240	\$15,214	V1
	75	88	50	73	EDP11S088GN3R01000	Yes	D 5	ED3	38.5 x 30 x 14	245	\$17,416	V1
	75	105	75	88	EDP11S105GN3R01000	No	E 6	ED4	50.5 x 30 x 17.5	300	\$20,496	V1
	100/125	142	75	115	EDP11S142GN3R01000	No	E 6	ED4	50.5 x 30 x 17.5	300	\$23,178	V1
	150	180	100	142	EDP11S180GN3R01000	No	E 6	ED4	50.5 x 30 x 17.5	300	\$28,610	V1
	175	211	125	180	EDP11S211GN3R01000	No	E 6	ED4	50.5 x 30 x 17.5	300	\$31,885	V1
	200	242	150	211	EDP11S242GN3R01000	No	F 6	ED6	83 x 32 x 41	700	\$46,456	V1
	250	312	200	242	EDP11S312GN3R01000	No	F 6	ED6	83 x 32 x 41	720	\$50,911	V1
300	370	250	312	EDP11S370GN3R01000	No	F 6	ED6	83 x 32 x 41	750	\$53,540	V1	
400	477	300	370	EDP11S477GN3R01000	No	F 6	ED6	83 x 32 x 41	775	\$60,381	V1	
450	515	400	477	EDP11S515GN3R01000	No	G 6	ED8	83 x 56 x 37	1100	\$72,834	V1	
500	601	450	515	EDP11S601GN3R01000	No	G 6	ED8	83 x 56 x 37	1120	\$78,686	V1	
600	720	500	560	EDP11S720GN3R01000	No	G 7	ED8	83 x 56 x 37	1150	\$95,367	V1	

Notes:

- 1) CT = Constant Torque, 150% overload / 60 sec.; VT = Variable Torque (Quadratic Load), 110% overload / 60 sec.
- 2) "HP" rating based on "average FLA values". Use as a guide only.
- 3) Motor FLA may vary with speed and manufacturer. ALWAYS compare motor FLA to Nominal AMPS of drive.
- 4) ED1 - ED4 enclosures are non-ventilated and wall-mounted; ED6 - ED9 enclosures are ventilated and floor mounted.
- 5) Maximum 45°C ambient temperature without derating
- 6) Maximum 40°C ambient temperature without derating
- 7) Maximum 38°C ambient temperature without derating
- 8) Dimensions and weights are for estimating purposes only. Only use "AS BUILT" drawings for construction. For other technical data please refer to WEG product manual.

EDP11 - ENGINEERED DRIVE PANEL

Enclosed VFD Panel - NEMA 3R Enclosure with By-Pass and HOA / Pot / TB

Motor Voltage	ND / VT ¹		HD / CT ¹		Catalog Number	Braking Transistor	Drive Frame Size	Enclosure Frame Size ⁴	Dimensions (in.) HxWxD ⁷	Approx. Weight (lbs.) ⁷	List Price	Multiplier
	Motor HP ²	Drive Amps ³	Motor HP ²	Drive Amps ³								
230 Vac	Input Power Supply: Three-Phase 220-240 Vac with Dynamic Braking Transistor											
	2	7.0	1 1/2	5.5	EDP11S007DN3R11000	Yes	A ⁵	ED2	26.5 x 20 x 11.5	36	\$10,794	V1
	3	10	2	8.0	EDP11S010DN3R11000	Yes	A ⁵	ED2	26.5 x 20 x 11.5	36	\$10,870	V1
	5	13	3	11	EDP11S013DN3R11000	Yes	A ⁵	ED2	26.5 x 20 x 11.5	41	\$10,969	V1
	5	16	5	13	EDP11S016DN3R11000	Yes	A ⁵	ED2	26.5 x 20 x 11.5	42	\$11,201	V1
	7 1/2	24	7 1/2	20	EDP11S024DN3R11000	Yes	B ⁵	ED2	26.5 x 20 x 11.5	56	\$11,820	V1
	10	28	10	24	EDP11S028DN3R11000	Yes	B ⁵	ED2	26.5 x 20 x 11.5	56	\$12,757	V1
	10	33.5	10	28	EDP11S033DN3R11000	Yes	B ⁵	ED2	26.5 x 20 x 11.5	56	\$13,568	V1
	15	45	15	36	EDP11S045DN3R11000	Yes	C ⁵	ED3	32.5 x 24 x 14	88	\$14,987	V1
	20	54	20	45	EDP11S054DN3R11000	Yes	C ⁵	ED3	32.5 x 24 x 14	90	\$16,410	V1
	25	70	20	56	EDP11S070DN3R11000	Yes	C ⁵	ED3	32.5 x 24 x 14	100	\$17,620	V1
	30	86	25	70	EDP11S086DN3R11000	Yes	D ⁵	ED4	38.5 x 30 x 14	230	\$19,778	V1
	40	105	30	86	EDP11S105DN3R11000	Yes	D ⁵	ED4	38.5 x 30 x 14	240	\$22,989	V1
	50	142	40	115	EDP11S142DN3R11000	No	E ⁶	ED5	50.5 x 30 x 17.5	300	\$27,715	V1
	60	180	50	142	EDP11S180DN3R11000	No	E ⁶	ED5	50.5 x 30 x 17.5	300	\$34,048	V1
75	211	60	180	EDP11S211DN3R11000	No	E ⁶	ED5	50.5 x 30 x 17.5	300	\$38,587	V1	
460 Vac	Input Power Supply: Three-Phase 460-480 Vac with Dynamic Braking Transistor											
	2	3.6	2	3.6	EDP11S003GN3R11000	Yes	A ⁵	ED2	26.5 x 20 x 11.5	36	\$10,614	V1
	3	5.0	3	5.0	EDP11S005GN3R11000	Yes	A ⁵	ED2	26.5 x 20 x 11.5	36	\$10,730	V1
	5	7.0	3	5.5	EDP11S007GN3R11000	Yes	A ⁵	ED2	26.5 x 20 x 11.5	41	\$10,794	V1
	7 1/2	10	5	10	EDP11S010GN3R11000	Yes	A ⁵	ED2	26.5 x 20 x 11.5	42	\$10,870	V1
	10	13.5	7 1/2	11	EDP11S013GN3R11000	Yes	A ⁵	ED2	26.5 x 20 x 11.5	42	\$10,969	V1
	10	17	10	13.5	EDP11S017GN3R11000	Yes	B ⁵	ED2	26.5 x 20 x 11.5	56	\$11,461	V1
	15	24	10	19	EDP11S024GN3R11000	Yes	B ⁵	ED2	26.5 x 20 x 11.5	56	\$12,207	V1
	20	31	15	25	EDP11S031GN3R11000	Yes	B ⁵	ED2	26.5 x 20 x 11.5	56	\$13,077	V1
	25	38	20	33	EDP11S038GN3R11000	Yes	C ⁵	ED3	32.5 x 24 x 14	90	\$13,873	V1
	30	45	25	38	EDP11S045GN3R11000	Yes	C ⁵	ED3	32.5 x 24 x 14	104	\$15,233	V1
	40	58.5	30	47	EDP11S058GN3R11000	Yes	C ⁵	ED3	32.5 x 24 x 14	110	\$16,683	V1
	50/60	70.5	40	61	EDP11S070GN3R11000	Yes	D ⁵	ED4	38.5 x 30 x 14	240	\$17,909	V1
	75	88	50	73	EDP11S088GN3R11000	Yes	D ⁵	ED4	38.5 x 30 x 14	245	\$20,304	V1
	75	105	75	88	EDP11S105GN3R11000	No	E ⁶	ED5	50.5 x 30 x 17.5	300	\$23,840	V1
	100/125	142	75	115	EDP11S142GN3R11000	No	E ⁶	ED5	50.5 x 30 x 17.5	300	\$28,163	V1
	150	180	100	142	EDP11S180GN3R11000	No	E ⁶	ED5	50.5 x 30 x 17.5	300	\$34,605	V1
	175	211	125	180	EDP11S211GN3R11000	No	E ⁶	ED5	50.5 x 30 x 17.5	300	\$39,210	V1
	200	242	150	211	EDP11S242GN3R11000	No	F ⁶	ED7	83 x 32 x 41	700	\$59,035	V1
	250	312	200	242	EDP11S312GN3R11000	No	F ⁶	ED7	83 x 32 x 41	720	\$65,054	V1
300	370	250	312	EDP11S370GN3R11000	No	F ⁶	ED7	83 x 32 x 41	750	\$67,943	V1	
400	477	300	370	EDP11S477GN3R11000	No	F ⁶	ED7	83 x 32 x 41	775	\$82,414	V1	
450	515	400	477	EDP11S515GN3R11000	No	G ⁶	ED9	83 x 56 x 37	1100	\$94,867	V1	
500	601	450	515	EDP11S601GN3R11000	No	G ⁶	ED9	83 x 56 x 37	1120	\$106,258	V1	
600	720	500	560	EDP11S720GN3R11000	No	G ⁷	ED9	83 x 56 x 37	1150	\$126,755	V1	

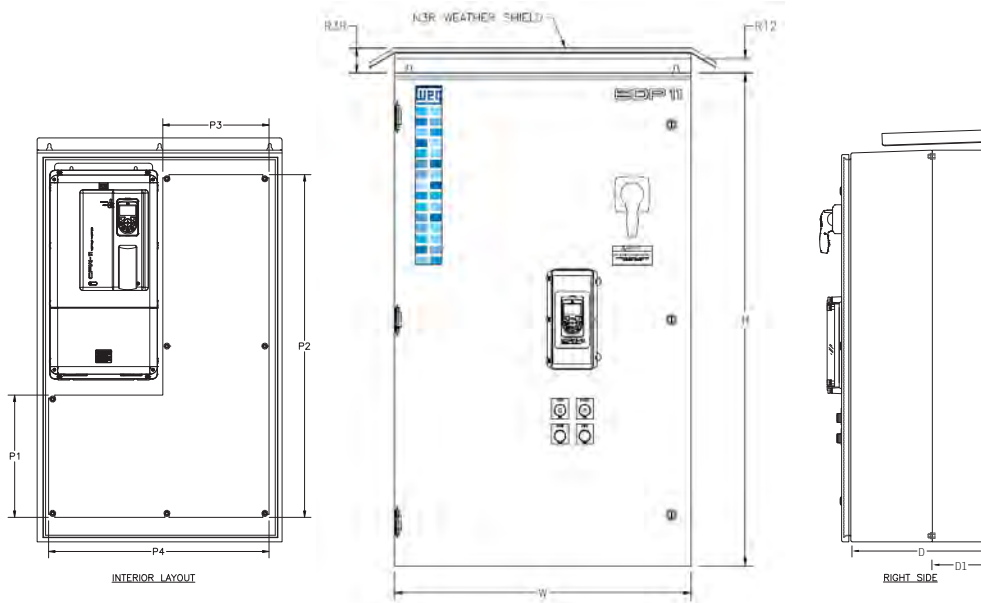
Notes:

- 1) CT = Constant Torque, 150% overload / 60 sec.; VT = Variable Torque (Quadratic Load), 110% overload / 60 sec.
 - 2) "HP" rating based on "average FLA values". Use as a guide only.
 - 3) Motor FLA may vary with speed and manufacturer. ALWAYS compare motor FLA to Nominal AMPS of drive.
 - 4) ED1 - ED4 enclosures are non-ventilated and wall-mounted; ED5 - ED9 enclosures are ventilated and floor mounted.
 - 5) Maximum 45°C ambient temperature without derating
 - 6) Maximum 40°C ambient temperature without derating
 - 7) Maximum 38°C ambient temperature without derating
 - 8) Dimensions and weights are for estimating purposes only. Only use "AS BUILT" drawings for construction.
- For other technical data please refer to WEG product manual.

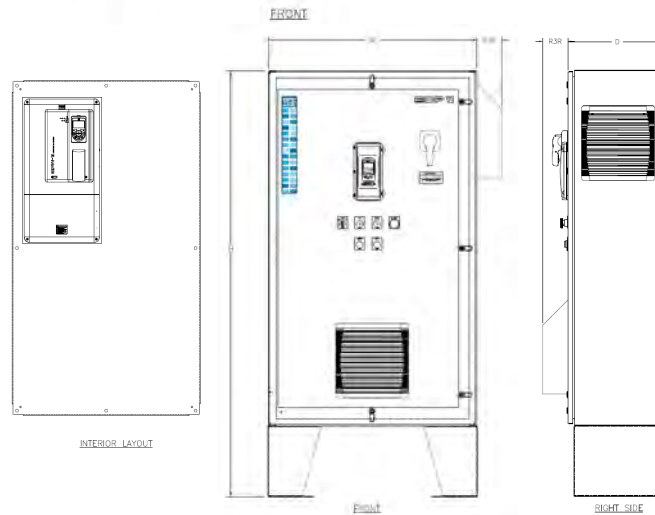
Variable Frequency Drives and Enclosed Motor Controls

Enclosure Frame Size

ED 1, 2, 3, 4



ED 5



Dimensions ⁵

Frame	H	W	D	D1	R3R ¹	R12 ²
ED1 ⁴	24	20	11.5	2.8	2.5	1.5
ED2 ⁴	30	24	14	5.4	2.5	1.5
ED3 ⁴	36	30	14	5.5	2.5	1.5
ED4 ⁴	48	30	17.5	6.8	2.5	1.5
ED5 ³	72	36	16	N/A	4	N/A

NOTE:

1) For NEMA 3R cabinet

2) For NEMA 12 Cabinet

3) ED5 "H" Dimension includes 12" for legs

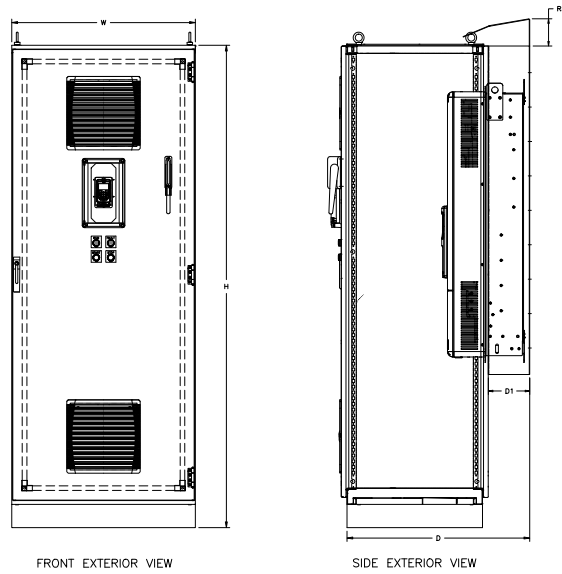
4) ED1 - ED4 enclosures are non-ventilated and wall-mounted; ED5 enclosures are non-ventilated and floor mounted.

5) Dimensions are provided for estimating purposes only.

*For NEMA 3R cabinet **For NEMA 12 cabinet

Variable Frequency Drives and Enclosed Motor Controls

ED 6

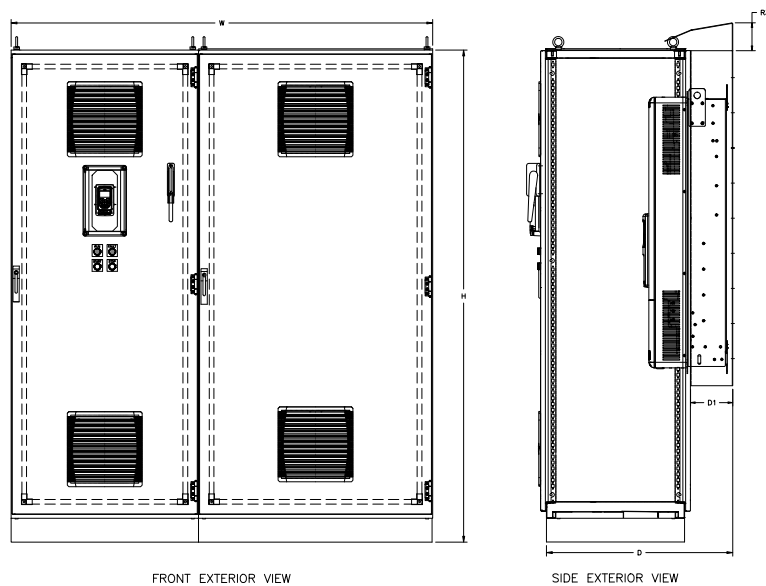


Dimensions

Frame	H	W	D(N12)	D(N3R)	D1(N12)	D1(N3R)	R3R	N12
ED6	83	32	31.4	41	6.2	11.4	2.5	1.5
ED7	83	63	31.4	41	6.2	11.4	2.5	1.5
ED8	83	56	31.9	41	7.5	11.4	2.5	1.5
ED9	83	95	31.9	41	7.5	11.4	2.5	1.5

NOTE: ED5 - ED9 enclosures are ventilated and floor-mounted

ED 7, 8, 9



Variable Frequency Drives and Enclosed Motor Controls

GPH2

The Combination Soft Starter is a NEMA 4/12 Enclosed industrial general purpose AC motor soft starter package. It is designed for simple and quick installation and start-up, requiring only input power and output motor connections.

The Combination Soft Starter is built to complement the ruggedness and reliability of WEG motors, providing a complete, simple, and cost effective AC motor starting and protection solution.

Standard Features

- Rated for 300% for 30 seconds
- Rated for 450% with derating
- 5 – 175HP at 230V
- 10 – 350HP at 460V
- Wall mounted enclosures for up to 125HP @ 230V; 250HP@460V
- Floor Mounted enclosure for up to 150 – 175HP @ 230V, and 300 – 350HP @ 460V
- Soft Starter
- SSW07 from 17 to 412Amps (all models with integrated AC1 by-pass)
- Circuit Breaker with Through Door Disconnect
- Control Power Transformer
- Start/Stop Pushbuttons
- Run/Fault Pilot Lights
- SuperDrive G2 Compatible

*Note:
SSW07 models do not include keypad*

Applications

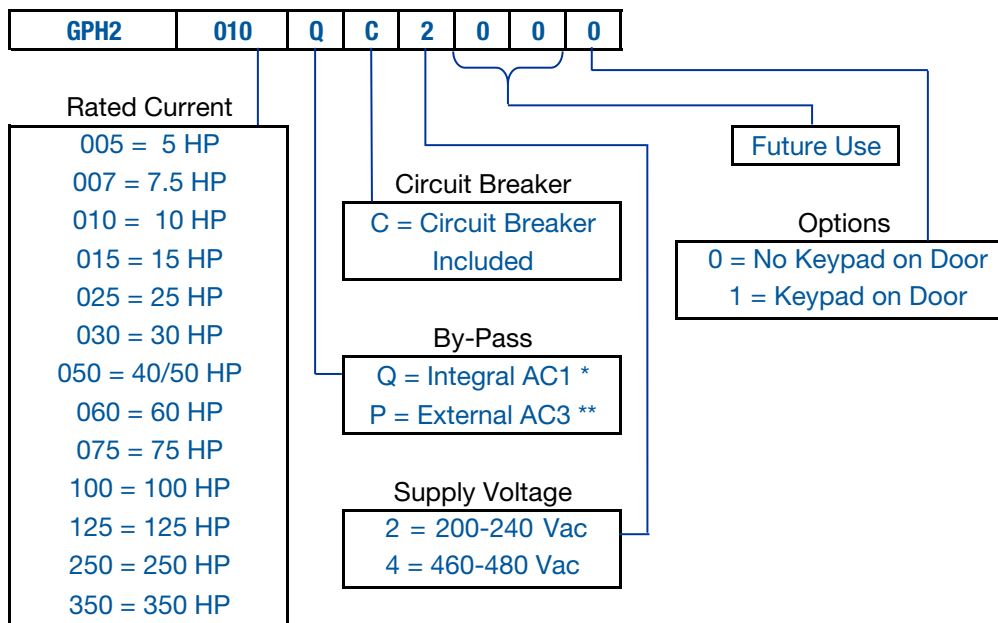
- Centrifugal Pumps
- Screw Compressors
- Centrifugal Fans
- Wood Chipper
- Veneer Lathe
- Saw
- Conveyor

Optional Features

- AC3 by-pass contactor and DOL Selector Switch
- Door mounted keypad
- 575V



GPH2 Catalog Number Sequence



* Bypass Contactor is 'Run Rated' and is integral to the soft starter

** Bypass Contactor is 'Full Rated' and mounted adjacent the soft starter inside the panel.

Table intended as reference only and not to create part numbers.



NEMA 4 / 12 Enclosure (Standard Version - with Circuit Breaker, Integral AC1 By-Pass and no Keypad on Door)

Motor Voltage	Motor HP ¹	Starter Amps ²	Catalog Number	Frame Size	Approx. Weight ⁴ (lbs.)	List Price	Multiplier
230 Vac	Input Power Supply: Three-Phase 200-240 Vac						
	5	17	GPH2005QC2000	1	140	\$3,650	E1
	7.5	24	GPH2007QC2000	1	140	\$3,750	E1
	10	30	GPH2010QC2000	1	140	\$3,900	E1
	15	45	GPH2015QC2000	2	150	\$4,300	E1
	25	61	GPH2025QC2000	2	150	\$4,800	E1
	30	85	GPH2030QC2000	2	150	\$5,800	E1
	50	130	GPH2050QC2000	3	280	\$6,990	E1
	60	171	GPH2060QC2000	3	280	\$7,500	E1
	75	200	GPH2075QC2000	3	280	\$8,450	E1
	100	255	GPH2100QC2000	4	415	\$10,700	E1
	125	312	GPH2125QC2000	4	415	\$11,880	E1
	150	365	GPH2150QC2000	5	610	\$12,700	E1
	175	412	GPH2175QC2000	5	610	\$14,500	E1
460 Vac	Input Power Supply: Three-Phase 460-480 Vac						
	10	17	GPH2010QC4000	1	140	\$3,650	E1
	15	24	GPH2015QC4000	1	140	\$3,750	E1
	20	30	GPH2020QC4000	1	140	\$3,900	E1
	30	45	GPH2030QC4000	2	150	\$4,300	E1
	40 / 50	61	GPH2050QC4000	2	150	\$4,800	E1
	75	85	GPH2075QC4000	2	150	\$5,800	E1
	100	130	GPH2100QC4000	3	280	\$6,990	E1
	125	171	GPH2125QC4000	3	280	\$7,500	E1
	150	200	GPH2150QC4000	3	280	\$8,450	E1
	200	255	GPH2200QC4000	4	415	\$10,700	E1
	250	312	GPH2250QC4000	4	415	\$11,880	E1
	300	365	GPH2300QC4000	5	610	\$12,700	E1
	350	412	GPH2350QC4000	5	610	\$14,500	E1

Notes:

- 1) "HP" rating based on FLA values from WEG W22, 2 and 4 pole, NEMA Premium® motors.
- 2) Motor FLA may vary with speed and manufacturer. ALWAYS compare motor FLA to Nominal AMPS of the starter.
- 3) For other technical data please refer to WEG product manual.
- 4) Dimensions and weights are for estimating purposes only. Only use "AS BUILT" drawings for construction.

Variable
Frequency
Drives and
Enclosed Motor
Controls

GHP2 - COMBINATION SOFT STARTER

NEMA 4 / 12 Enclosure (with Circuit Breaker, Integral AC1 By-Pass and Keypad on Door)

Motor Voltage	Motor HP ¹	Starter Amps ²	Catalog Number	Frame Size	Approx. Weight ⁴ (lbs.)	List Price	Multiplier
230 Vac	Input Power Supply: Three-Phase 200-240 Vac						
	5	17	GPH2005QC2001	1	140	\$4,145	E1
	7.5	24	GPH2007QC2001	1	140	\$4,245	E1
	10	30	GPH2010QC2001	1	140	\$4,395	E1
	15	45	GPH2015QC2001	2	150	\$4,795	E1
	25	61	GPH2025QC2001	2	150	\$5,295	E1
	30	85	GPH2030QC2001	2	150	\$6,295	E1
	50	130	GPH2050QC2001	3	280	\$7,485	E1
	60	171	GPH2060QC2001	3	280	\$7,995	E1
	75	200	GPH2075QC2001	3	280	\$8,945	E1
	100	255	GPH2100QC2001	4	415	\$11,195	E1
	125	312	GPH2125QC2001	4	415	\$12,375	E1
	150	365	GPH2150QC2001	5	610	\$13,195	E1
175	412	GPH2175QC2001	5	610	\$14,995	E1	
460 Vac	Input Power Supply: Three-Phase 460-480 Vac						
	10	17	GPH2010QC4001	1	140	\$4,145	E1
	15	24	GPH2015QC4001	1	140	\$4,245	E1
	20	30	GPH2020QC4001	1	140	\$4,395	E1
	30	45	GPH2030QC4001	2	150	\$4,795	E1
	40 / 50	61	GPH2050QC4001	2	150	\$5,295	E1
	75	85	GPH2075QC4001	2	150	\$6,295	E1
	100	130	GPH2100QC4001	3	280	\$7,485	E1
	125	171	GPH2125QC4001	3	280	\$7,995	E1
	150	200	GPH2150QC4001	3	280	\$8,945	E1
	200	255	GPH2200QC4001	4	415	\$11,195	E1
	250	312	GPH2250QC4001	4	415	\$12,375	E1
	300	365	GPH2300QC4001	5	610	\$13,195	E1
350	412	GPH2350QC4001	5	610	\$14,995	E1	

Notes:

- 1) "HP" rating based on FLA values from WEG W22, 2 and 4 pole, NEMA Premium® motors.
- 2) Motor FLA may vary with speed and manufacturer. ALWAYS compare motor FLA to Nominal AMPS of the starter.
- 3) For other technical data please refer to WEG product manual.
- 4) Dimensions and weights are for estimating purposes only. Only use "AS BUILT" drawings for construction.

Variable Frequency Drives and Enclosed Motor Controls



NEMA 4 / 12 Enclosure (with Circuit Breaker, External AC3 By-Pass and no Keypad on Door)

Motor Voltage	Motor HP 1	Starter Amps 2	Catalog Number	Frame Size	Approx. Weight 4 (lbs.)	List Price	Multiplier
230 Vac	Input Power Supply: Three-Phase 200-240 Vac						
	5	17	GPH2005PC2000	1	140	\$3,900	E1
	7.5	24	GPH2007PC2000	1	140	\$4,032	E1
	10	30	GPH2010PC2000	1	140	\$4,243	E1
	15	45	GPH2015PC2000	2	150	\$4,865	E1
	25	61	GPH2025PC2000	2	150	\$5,412	E1
	30	85	GPH2030PC2000	2	150	\$6,585	E1
	50	130	GPH2050PC2000	3	280	\$8,260	E1
	60	171	GPH2060PC2000	3	280	\$9,013	E1
	75	200	GPH2075PC2000	3	280	\$10,350	E1
	100	255	GPH2100PC2000	4	415	\$12,965	E1
	125	312	GPH2125PC2000	4	415	\$14,847	E1
	150	365	GPH2150PC2000	5	610	\$15,706	E1
	175	412	GPH2175PC2000	5	610	\$21,075	E1
460 Vac	Input Power Supply: Three-Phase 460-480 Vac						
	10	17	GPH2010PC4000	1	140	\$3,900	E1
	15	24	GPH2015PC4000	1	140	\$4,032	E1
	20	30	GPH2020PC4000	1	140	\$4,243	E1
	30	45	GPH2030PC4000	2	150	\$4,865	E1
	40 / 50	61	GPH2050PC4000	2	150	\$5,412	E1
	75	85	GPH2075PC4000	2	150	\$6,585	E1
	100	130	GPH2100PC4000	3	280	\$8,260	E1
	125	171	GPH2125PC4000	3	280	\$9,013	E1
	150	200	GPH2150PC4000	3	280	\$10,350	E1
	200	255	GPH2200PC4000	4	415	\$12,965	E1
	250	312	GPH2250PC4000	4	415	\$14,847	E1
	300	365	GPH2300PC4000	5	610	\$15,706	E1
	350	412	GPH2350PC4000	5	610	\$21,075	E1

Notes:

- 1) "HP" rating based on FLA values from WEG W22, 2 and 4 pole, NEMA Premium® motors.
- 2) Motor FLA may vary with speed and manufacturer. ALWAYS compare motor FLA to Nominal AMPS of the starter.
- 3) For other technical data please refer to WEG product manual.
- 4) Dimensions and weights are for estimating purposes only. Only use "AS BUILT" drawings for construction.

Variable Frequency Drives and Enclosed Motor Controls

GHP2 - COMBINATION SOFT STARTER

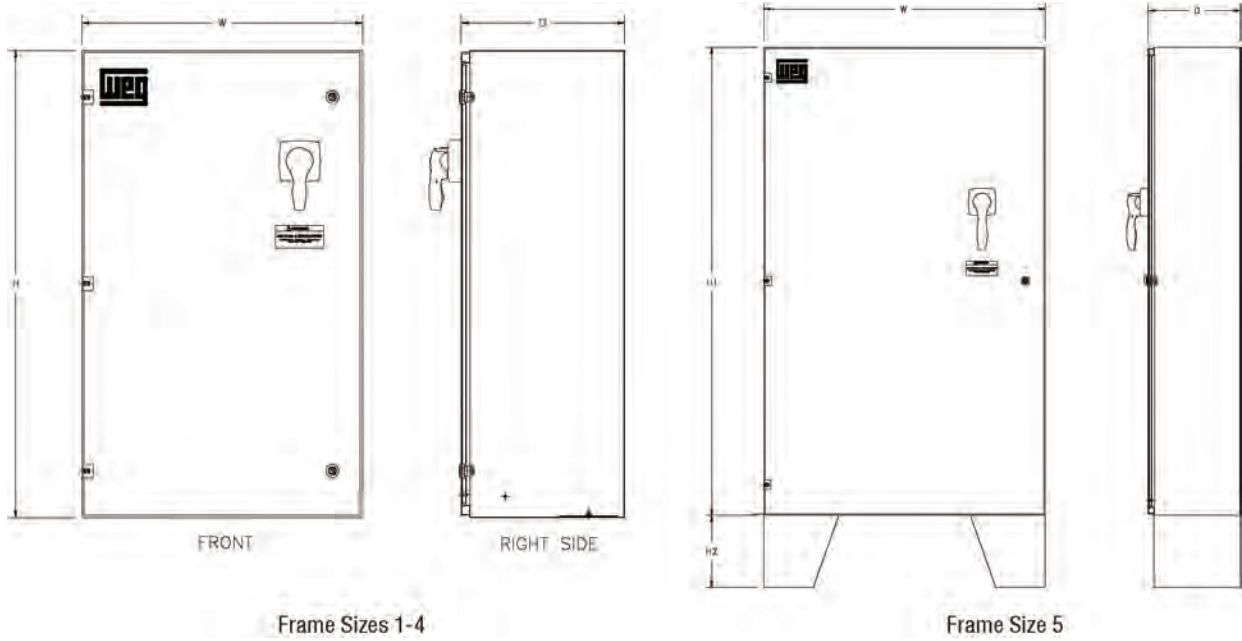
NEMA 4 / 12 Enclosure (with Circuit Breaker, External AC3 By-Pass and Keypad on Door)

Motor Voltage	Motor HP ¹	Starter Amps ²	Catalog Number	Frame Size	Approx. Weight ⁴ (lbs.)	List Price	Multiplier Symbol
230 Vac	Input Power Supply: Three-Phase 200-240 Vac						
	5	17	GPH2005PC2001	1	140	\$4,395	E1
	7.5	24	GPH2007PC2001	1	140	\$4,527	E1
	10	30	GPH2010PC2001	1	140	\$4,738	E1
	15	45	GPH2015PC2001	2	150	\$5,360	E1
	25	61	GPH2025PC2001	2	150	\$5,907	E1
	30	85	GPH2030PC2001	2	150	\$7,080	E1
	50	130	GPH2050PC2001	3	280	\$8,755	E1
	60	171	GPH2060PC2001	3	280	\$9,508	E1
	75	200	GPH2075PC2001	3	280	\$10,845	E1
	100	255	GPH2100PC2001	4	415	\$13,460	E1
	125	312	GPH2125PC2001	4	415	\$15,342	E1
	150	365	GPH2150PC2001	5	610	\$16,201	E1
	175	412	GPH2175PC2001	5	610	\$21,570	E1
460 Vac	Input Power Supply: Three-Phase 460-480 Vac						
	10	17	GPH2010PC4001	1	140	\$4,395	E1
	15	24	GPH2015PC4001	1	140	\$4,527	E1
	20	30	GPH2020PC4001	1	140	\$4,738	E1
	30	45	GPH2030PC4001	2	150	\$5,360	E1
	40 / 50	61	GPH2050PC4001	2	150	\$5,907	E1
	75	85	GPH2075PC4001	2	150	\$7,080	E1
	100	130	GPH2100PC4001	3	280	\$8,755	E1
	125	171	GPH2125PC4001	3	280	\$9,508	E1
	150	200	GPH2150PC4001	3	280	\$10,845	E1
	200	255	GPH2200PC4001	4	415	\$13,460	E1
	250	312	GPH2250PC4001	4	415	\$15,342	E1
	300	365	GPH2300PC4001	5	610	\$16,201	E1
	350	412	GPH2350PC4001	5	610	\$21,570	E1

Notes:

- 1) "HP" rating based on FLA values from WEG W22, 2 and 4 pole, NEMA Premium® motors.
- 2) Motor FLA may vary with speed and manufacturer. ALWAYS compare motor FLA to Nominal AMPS of the starter.
- 3) For other technical data please refer to WEG product manual.
- 4) Dimensions and weights are for estimating purposes only. Only use "AS BUILT" drawings for construction.

Variable Frequency Drives and Enclosed Motor Controls



GPH Dimensions

Frame	W	D	H1	H2	Approx. Weight (lbs)
1	16	8	24	N/A	140
2	24	12	32	N/A	150
3	24	14	40	N/A	280
4	32	12	48	N/A	415
5	36	16	60	12	610

Notes: H1 + H2 = overall height

Enclosed Starters

Operation and Protection of Motors up to 600Hp at 460Vac (800A)

WEG enclosed starters series were designed to meet the requirements and flexibility frequently demanded in industrial applications. Featuring components that meet IEC design standards and UL horsepower ratings, WEG enclosed starters are UL508A approved and cULus certified. This means your panels will fulfill the rigorous requirements of UL508A and will have the quality and performance as for all WEG products



Standard or Custom

By having most of the processes in WEG facilities we can manufacture not only the enclosed starters listed on this catalog, but also any other custom panel your application may require. Our Engineers will work together with you to provide the perfect solution for your application.

Perfect Solution

WEG offers options for both: Full Voltage Non-Reversing Non-Combination Starters and Full Voltage Non-Reversing Combination Starters up to 250Hp at 460Vac.

WEG's UL508A panel shops can manufacture any configuration of Non-Combination or Combination Starters for any low voltage horsepower ratings. Some examples are listed below:

- Enclosed Contactors
- Full Voltage Reversing Starters
- Reduced Voltage Magnetic Starters
(Part-Winding, Wye-Delta)
- Reduced Voltage Solid-State Starters
- Multi-Speed Starters
- Explosion Proof Starters

Whenever you need a reliable product to control & protect your application, WEG field specialists can help you find the best solution.










New Concepts

Smaller size components allow selection of smaller enclosures which translates to cost savings. A wide range of ratings and frames allow the components to be more closely matched to your application. Our overload relays provide phase loss sensitivity, ambient temperature compensated for -4F to +140F (eliminating the need for additional heaters), and automatic reset for remote applications.

A wide range of industrial applications are covered: Pumps, Industrial Washing Machines, Compressors, Blowers, Cutting Machines, Conveyors, Lumber Processing and many others.

Product Line Overview




NON-COMBINATION STARTERS

Type		ESW	PESW	ESWX-M	ESWX-M	ESWX
						
Maximum Horsepower Rating at 460Vac 60Hz	[Hp]	75	75	10	75	75
Maximum Rated Current I _{max} (Iu)	[A]	105	105	16	105	105
Rated Operational Voltage	[V]	600	600	600	600	600
Enclosure Type		Metallic Type 1	Non-Metallic Type 4X	Cast Aluminum NEMA 7/9 NEMA 4X	Cast Aluminum Type 7/9	Cast Aluminum Type 7/9
Protections provided						
Motor Disconnect				✓	✓	
Motor Branch Short Circuit				✓	✓	
Motor Controller		✓	✓	✓	✓	✓
Motor Overload		✓	✓	✓	✓	✓
Accessories						
Pushbuttons		N/A	N/A	N/A	N/A	
Pilot light		N/A	N/A	N/A	N/A	
Emergency Stop		N/A	N/A	N/A	N/A	
Selector Switch		N/A	N/A	N/A	N/A	
Control Transformer		N/A	N/A	N/A	N/A	(available as an option)
Timing Relays (RTW Series)		N/A	N/A	N/A	N/A	(available as an option)
Protector Relay (RPW Series)		N/A	N/A	N/A	N/A	(available as an option)
Level Relay (RNW Series)		N/A	N/A	N/A	N/A	(available as an option)

Combination Starters

Product Line Overview

COMBINATION STARTERS

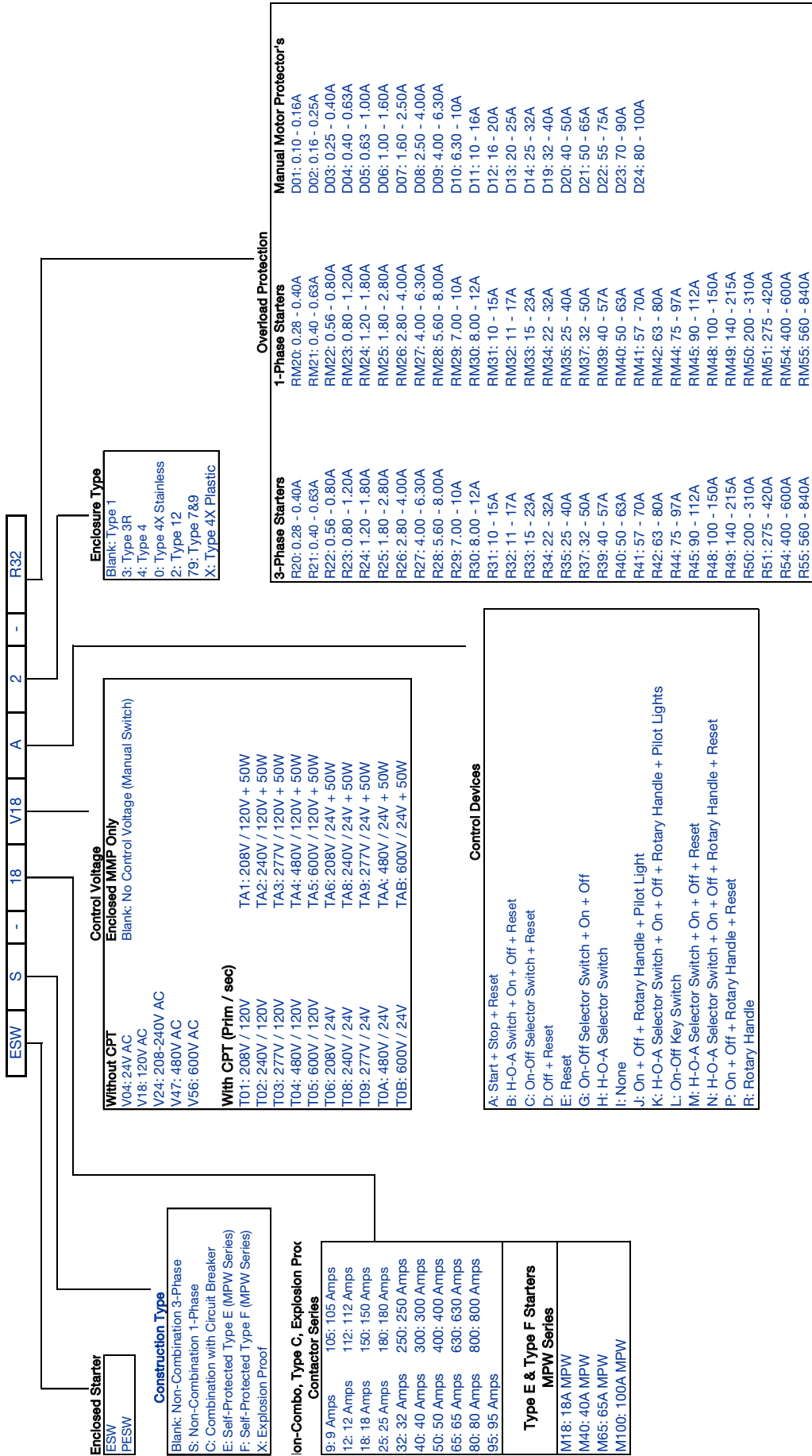
Type	ESWC	ESWE	ESWF
			
Maximum Horsepower Rating at 460Vac 60Hz [Hp]	250	20	75
Maximum Rated Current I_{max} (I_u) [A]	300	32	105
Rated Operational Voltage [V]	600	600	600
Enclosure Type	Metallic Type 1 Type 3R Type 4 / 12 Non-Metallic Type 4X	Non-Metallic Type 4X	Metallic Type 1 Type 3R Type 4 / 12 Non-Metallic Type 4X
Protections provided			
Motor Disconnect	✓	✓	✓
Motor Branch Short Circuit	✓	✓	✓
Motor Controller	✓	✓	✓
Motor Overload	✓	✓	✓

Accessories

Pushbuttons		
Pilot light		
Emergency Stop		
Selector Switch		
Control Transformer	(available as an option)	(available as an option)
Timing Relays (RTW Series)	(available as an option)	
Protector Relay (RPW Series)	(available as an option)	
Level Relay (RNW Series)	(available as an option)	

Variable Frequency Drives and Enclosed Motor Controls

Enclosed Starter Series Catalog Numbers



Variable
Frequency
Drives and
Enclosed Motor
Controls

Non-Combination Starters

ESW/PESW



WEG offers non-reversing and non-combination magnetic starters up to 75HP at 460Vac (105A). Featuring components that meet IEC design standards and UL horsepower ratings, incorporating WEG contactors and overload relays, the magnetic starters are ideal to protect and operate motors, ensuring smooth operation year-after year.

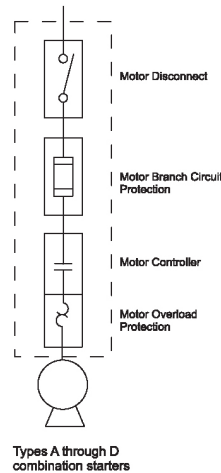
Three series are available:

- Metallic Type 1 – ESW Series
- Non-Metallic Type 4X – PESW Series
- Metallic Type NEMA 7/9 - ESWX Series

WEG ESW and PESW starters are pre-wired from the factory and recommended for all single and three phase applications where magnetic starters can be applied.

Standard Features

- High horsepower ratings in four compact sizes
- Fast acceleration and high initial torque
- Bimetallic Overload Relays – class 10
- Adjustable trip current
- Ambient temperature compensated
- Phase-loss sensitivity protection
- Selectable Manual or Automatic RESET
- Electrically isolated NO-NC auxiliary contacts
- Easy to install and setup



Variable
Frequency
Drives and
Enclosed Motor
Controls

NEMA 1 Enclosure – Three Phase



ESW Series - Non-combination Across The Line Starter Three -Phase - Enclosure Type-1

Max. UL Horsepower				Box	Setting Range	Coil Voltage	RESET only		START/STOP + RESET		Multiplier
200V	230V	460V	575V				Catalog Number	List Price	Catalog Number	List Price	
-	1/3	1/2	-	M04	0.8 - 1.2	120	ESW-9V18E-R23	\$157	ESW-9V18A-R23	\$210	Z3
						208-240	ESW-9V24E-R23		ESW-9V24A-R23		
						480	ESW-9V47E-R23		ESW-9V47A-R23		
-	-	1	1	M04	1.2 - 1.8	120	ESW-9V18E-R24	\$157	ESW-9V18A-R24	\$210	
						208-240	ESW-9V24E-R24		ESW-9V24A-R24		
						480	ESW-9V47E-R24		ESW-9V47A-R24		
1/2	3/4	1-1/2	2	M04	1.8 - 2.8	120	ESW-9V18E-R25	\$157	ESW-9V18A-R25	\$210	
						208-240	ESW-9V24E-R25		ESW-9V24A-R25		
						480	ESW-9V47E-R25		ESW-9V47A-R25		
1	1	2	3	M04	2.8 - 4.0	120	ESW-9V18E-R26	\$157	ESW-9V18A-R26	\$210	
						208-240	ESW-9V24E-R26		ESW-9V24A-R26		
						480	ESW-9V47E-R26		ESW-9V47A-R26		
1-1/2	1-1/2	3	5	M04	4.0 - 6.3	120	ESW-9V18E-R27	\$157	ESW-9V18A-R27	\$210	
						208-240	ESW-9V24E-R27		ESW-9V24A-R27		
						480	ESW-9V47E-R27		ESW-9V47A-R27		
2	2	5	-	M04	5.6 - 8.0	120	ESW-9V18E-R28	\$157	ESW-9V18A-R28	\$210	
						208-240	ESW-9V24E-R28		ESW-9V24A-R28		
						480	ESW-9V47E-R28		ESW-9V47A-R28		
3	3	-	7-1/2	M04	7.0 - 10	120	ESW-9V18E-R29	\$157	ESW-9V18A-R29	\$210	
						208-240	ESW-9V24E-R29		ESW-9V24A-R29		
						480	ESW-9V47E-R29		ESW-9V47A-R29		
-	-	7-1/2	10	M04	8.0 - 12.5	120	ESW-12V18E-R30	\$174	ESW-12V18A-R30	\$227	
						208-240	ESW-12V24E-R30		ESW-12V24A-R30		
						480	ESW-12V47E-R30		ESW-12V47A-R30		
5	5	10	15	M04	11 - 17	120	ESW-18V18E-R32	\$188	ESW-18V18A-R32	\$241	
						208-240	ESW-18V24E-R32		ESW-18V24A-R32		
						480	ESW-18V47E-R32		ESW-18V47A-R32		
7-1/2	7-1/2	15	-	M04	15 - 23	120	ESW-25V18E-R33	\$223	ESW-25V18A-R33	\$276	
						208-240	ESW-25V24E-R33		ESW-25V24A-R33		
						480	ESW-25V47E-R33		ESW-25V47A-R33		
10	10	20	25	M04	22 - 32	120	ESW-32V18E-R34	\$245	ESW-32V18A-R34	\$298	
						208-240	ESW-32V24E-R34		ESW-32V24A-R34		
						480	ESW-32V47E-R34		ESW-32V47A-R34		
10	15	30	-	M06	25 - 40	120	ESW-40V18E-R35	\$292	ESW-40V18A-R35	\$345	
						208-240	ESW-40V24E-R35		ESW-40V24A-R35		
						480	ESW-40V47E-R35		ESW-40V47A-R35		
15	15	30	40	M06	32 - 50	120	ESW-50V18E-R38	\$350	ESW-50V18A-R38	\$403	
						208-240	ESW-50V24E-R38		ESW-50V24A-R38		
						480	ESW-50V47E-R38		ESW-50V47A-R38		
20	20	40	50	M06	40 - 57	120	ESW-65V18E-R39	\$375	ESW-65V18A-R39	\$428	
						208-240	ESW-65V24E-R39		ESW-65V24A-R39		
						480	ESW-65V47E-R39		ESW-65V47A-R39		
-	25	50	60	M06	57 - 70	120	ESW-80V18E-R41	\$421	ESW-80V18A-R41	\$474	
						208-240	ESW-80V24E-R41		ESW-80V24A-R41		
						480	ESW-80V47E-R41		ESW-80V47A-R41		
25	30	60	75	M08	63 - 80	120	ESW-95V18E-R43	\$876	ESW-95V18A-R43	\$929	
						208-240	ESW-95V24E-R43		ESW-95V24A-R43		
						480	ESW-95V47E-R43		ESW-95V47A-R43		
30	-	75	-	M08	75 - 97	120	ESW-105V18E-R44	\$975	ESW-105V18A-R44	\$1,028	
						208-240	ESW-105V24E-R44		ESW-105V24A-R44		
						480	ESW-105V47E-R44		ESW-105V47A-R44		
-	40	-	-	M08	90 - 112	120	ESW-105V18E-R45	\$975	ESW-105V18A-R45	\$1,028	
						208-240	ESW-105V24E-R45		ESW-105V24A-R45		
						480	ESW-105V47E-R45		ESW-105V47A-R45		

Notes:

- 1) Please contact your local WEG representative for starters with other control voltage.
- 2) 3-phase starters can be wired for single-phase applications (see page 238 for single phase conversion diagram)

Variable Frequency Drives and Enclosed Motor Controls

Enclosed Starters - ESWS

NEMA 1 Enclosure – Single Phase



ESW Series - Non-combination Across The Line Starter - Non Reversing Single Phase - Enclosure Type-1

Max. UL Horsepower		Box	Setting Range	Coil Voltage	RESET only		Multiplier
115V	230V				Catalog Number	List Price	
-	1/2	M04	2.8 - 4.0	208-240	ESWS-9V24E-RM26	\$135	Z3
-	3/4	M04	4.0 - 6.3	208-240	ESWS-9V24E-RM27	\$135	
1/3	1	M04	5.6 - 8.0	120	ESWS-9V18E-RM28	\$135	
				208-240	ESWS-9V24E-RM28		
1/2	-	M04	7.0 - 10	120	ESWS-9V18E-RM29	\$135	
-	1-1/2	M04	8.0 - 12.5	208-240	ESWS-9V24E-RM30	\$135	
3/4	2	M04	10 - 15	120	ESWS-12V18E-RM31	\$161	
				208-240	ESWS-12V24E-RM31		
1	3	M04	11 - 17	120	ESWS-18V18E-RM32	\$170	
				208-240	ESWS-18V24E-RM32		
1-1/2	5	M04	15 - 23	120	ESWS-25V18E-RM33	\$180	
				208-240	ESWS-25V24E-RM33		
2	5	M04	22 - 32	120	ESWS-25V18E-RM34	\$180	
				208-240	ESWS-25V24E-RM34		
3	-	M06	25 - 40	120	ESWS-40V18E-RM35	\$274	
-	7-1/2	M06	25 - 40	208-240	ESWS-50V24E-RM36	\$330	
-	7-1/2	M06	32 - 50	208-240	ESWS-50V24E-RM38	\$330	
-	10	M06	32 - 50	208-240	ESWS-65V24E-RM38	\$350	

Notes: 1) OLR must be set at 115% of motor FLA

ESWS - Single-phase version - assembled with 2 pole contactor and 2 pole overload relays

Field Mod Kits for ESW/ESWS Series

Description	Accessories		Field Kit Modifications		
	Structure		Catalog Number	List Price	Multiplier
	Top	Bottom			
No Pilot Device Metal Brackets - 2 x 22mm holes w/ plugs	PLUG	PLUG	KESWPP	\$25	Z3
Start / Stop Pushbutton	PLUG	START - STOP	KESWPS	\$80	
Hand-Off-Auto Selector Switch	HAND - OFF - AUTO	PLUG	KESWHP	\$80	
Off-On Selector Switch	OFF - ON	PLUG	KESWFP	\$80	
Hand-Off-Auto Selector Switch and Start / Stop Pushbuttons	HAND - OFF - AUTO	START - STOP	KESWHS	\$130	
E-stop	PLUG	E-STOP	KESWPE	\$80	



KESWPP



KESWPS



KESWHP



KESWFP

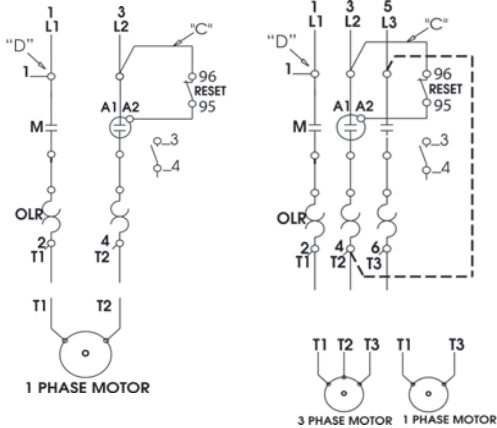


KESWHS

Variable Frequency Drives and Enclosed Motor Controls

WIRING DIAGRAM

Single-phase Starter Three-phase Starter



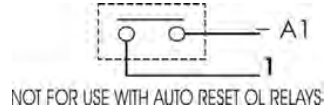
Conversion to single-phase, add jumper wire from L3 to T2 (follow dotted line connection above)

Separate Control

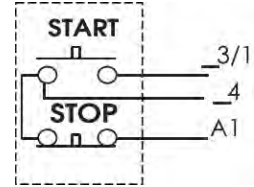
FOR SEPARATE CONTROL, REMOVE WIRES "C" AND "D" IF SUPPLIED AND CONNECT SEPARATE CONTROL LINES TO TERMINAL N° 96 ON THE OVERLOAD RELAY AND TO TERMINAL N° _3 ON THE AUX. CONTACT BLOCK (FOR 3 WIRE CONTROL) OR TO THE CONTACTOR COIL N° A1 (FOR 2 WIRE CONTROL).

Pilot Devices

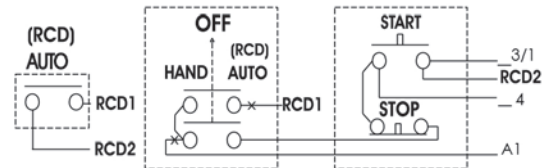
2 Wire Control



3 Wire Control



Hand-Off Auto Wire Control (For ESW Series Only)



DIMENSIONS

Provision for cable gland fitting	Standard			
	Top	Bottom	Side	Back
Box M04	2x (½" or ¾")	2x (½" or ¾")	4x (½" or ¾")	2x (½" or ¾")
	1x (¾" or 1")	1x (¾" or 1")	-	-
Box M06	1x (½" or ¾")	1x (½" or ¾")	3x (½" or ¾")	-
	2x (1" or 1-1/4")	2x (1" or 1-1/4")	4x (1" or 1-1/4")	-
Box M08	1x (1")	1x (1")	1x (1")	1x (1")
	1x (1-1/2")	1x (1-1/2")	4x (¾")	-

Dimensions (approx. inches)

Enclosed Starters	Enclosure Size			
	BOX	H	W	D
ESW(S) 9, 12, 18, 25, 32	M04	9.5	5.5	5.0
ESW(S) 40, 50, 65, 80	M06	13.0	7.5	5.6
ESW 95, 105	M08	17.8	9.5	6.7



Variable Frequency Drives and Enclosed Motor Controls

Enclosed Motor Controls



PESW

PESW Series - Non-combination Across the line starter
Three-Phase Enclosure Type - 4X



Max. UL Horsepower				Box	Setting Range	Coil Voltage	RESET only ⁵		START/STOP + RESET		Multiplier
200V	230V	460V	575V				Catalog Number	List Price	Catalog Number	List Price	
-	1/3	1/2	-	04	0.8 - 1.2	120	PESW-9V18EX-R23	\$157	PESW-9V18AX-R23	\$210	
						208-240	PESW-9V24EX-R23		PESW-9V24AX-R23		
						480	PESW-9V47EX-R23		PESW-9V47AX-R23		
-	-	1	1	04	1.2 - 1.8	120	PESW-9V18EX-R24	\$157	PESW-9V18AX-R24	\$210	
						480	PESW-9V47EX-R24		PESW-9V47AX-R24		
1/2	3/4	1-1/2	2	04	1.8 - 2.8	120	PESW-9V18EX-R25	\$157	PESW-9V18AX-R25	\$210	
						208-240	PESW-9V24EX-R25		PESW-9V24AX-R25		
						480	PESW-9V47EX-R25		PESW-9V47AX-R25		
1	1	2	3	04	2.8 - 4.0	120	PESW-9V18EX-R26	\$157	PESW-9V18AX-R26	\$210	
						208-240	PESW-9V24EX-R26		PESW-9V24AX-R26		
						480	PESW-9V47EX-R26		PESW-9V47AX-R26		
1-1/2	1-1/2	3	5	04	4.0 - 6.3	120	PESW-9V18EX-R27	\$157	PESW-9V18AX-R27	\$210	
						208-240	PESW-9V24EX-R27		PESW-9V24AX-R27		
						480	PESW-9V47EX-R27		PESW-9V47AX-R27		
2	2	5	-	04	5.6 - 8.0	120	PESW-9V18EX-R28	\$157	PESW-9V18AX-R28	\$210	
						208-240	PESW-9V24EX-R28		PESW-9V24AX-R28		
						480	PESW-9V47EX-R28		PESW-9V47AX-R28		
3	3	-	7-1/2	04	7.0 - 10	120	PESW-9V18EX-R29	\$157	PESW-9V18AX-R29	\$210	
						208-240	PESW-9V24EX-R29		PESW-9V24AX-R29		
-	-	7-1/2	10	04	8.0 - 12.5	120	PESW-12V18EX-R30	\$174	PESW-12V18AX-R30	\$227	
						480	PESW-12V47EX-R30		PESW-12V47AX-R30		
						120	PESW-18V18EX-R32		PESW-18V18AX-R32		
5	5	10	15	04	11 - 17	208-240	PESW-18V24EX-R32	\$188	PESW-18V24AX-R32	\$241	
						480	PESW-18V47EX-R32		PESW-18V47AX-R32		
						120	PESW-25V18EX-R33		PESW-25V18AX-R33		
7-1/2	7-1/2	15	-	04	15 - 23	208-240	PESW-25V24EX-R33	\$223	PESW-25V24AX-R33	\$276	
						480	PESW-25V47EX-R33		PESW-25V47AX-R33		
						120	PESW-32V18EX-R34		PESW-32V18AX-R34		
10	10	20	25	06	22 - 32	208-240	PESW-32V24EX-R34	\$262	PESW-32V24AX-R34	\$298	
						480	PESW-32V47EX-R34		PESW-32V47AX-R34		
						120	PESW-40V18EX-R35		PESW-40V18AX-R35		
10	15	30	-	06	25 - 40	208-240	PESW-40V24EX-R35	\$321	PESW-40V24AX-R35	\$345	
						480	PESW-40V47EX-R35		PESW-40V47AX-R35		
						120	PESW-50V18EX-R38		PESW-50V18AX-R38		
15	15	30	40	08	32 - 50	208-240	PESW-50V24EX-R38	\$564	PESW-50V24AX-R38	\$579	
						480	PESW-50V47EX-R38		PESW-50V47AX-R38		
						120	PESW-65V18EX-R39		PESW-65V18AX-R39		
20	20	40	50	08	40 - 57	208-240	PESW-65V24EX-R39	\$589	PESW-65V24AX-R39	\$604	
						480	PESW-65V47EX-R39		PESW-65V47AX-R39		
						120	PESW-80V18EX-R41		PESW-80V18AX-R41		
-	25	50	60	08	57 - 70	208-240	PESW-80V24EX-R41	\$635	PESW-80V24AX-R41	\$650	
						480	PESW-80V47EX-R41		PESW-80V47AX-R41		
						120	PESW-95V18EX-R43		PESW-95V18AX-R43		
25	30	60	75	10	63 - 80	208-240	PESW-95V24EX-R43	\$1,085	PESW-95V24AX-R43	\$1,100	
						480	PESW-95V47EX-R43		PESW-95V47AX-R43		
						120	PESW-105V18EX-R44		PESW-105V18AX-R44		
30	-	75	-	10	75 - 97	480	PESW-105V47EX-R44	\$1,184	PESW-105V47AX-R44	\$1,199	
						120	PESW-105V18EX-R45		PESW-105V18AX-R45		
-	40	-	-	10	90 - 112	208-240	PESW-105V24EX-R45	\$1,184	PESW-105V24AX-R45	\$1,199	

Z3

Variable Frequency Drives and Enclosed Motor Controls

Notes:

- 1) OLR must be set @115% of FLA
- 2) 3-phase starters with 120V coil are wired for separate control
- 3) 3-phase starters can be wired for single-phase applications (see diagram)



PESW Series - Non-combination Across the line starter

Single Phase- Enclosure Type-4X

Max. UL Horsepower		Box	Setting Range	Coil Voltage	RESET only ⁴		START/STOP + RESET		Multiplier
115V	230V				Catalog Number	List Price	Catalog Number	List Price	
-	1/2	04	2.8 - 4.0	208-240	PESWS-9V24EX-RM26	\$140	PESWS-9V24AX-RM26	\$155	Z3
-	3/4	04	4.0 - 6.3	208-240	PESWS-9V24EX-RM27	\$140	PESWS-9V24AX-RM27	\$155	
1/3	1	04	5.6 - 8.0	120	PESWS-9V18EX-RM28	\$140	PESWS-9V18AX-RM28	\$155	
				208-240	PESWS-9V24EX-RM28		PESWS-9V24AX-RM28		
1/2	-	04	7.0 - 10	120	PESWS-9V18EX-RM29	\$140	PESWS-9V18AX-RM29	\$155	
-	1-1/2	04	8.0 - 12.5	208-240	PESWS-9V24EX-RM30	\$140	PESWS-9V24AX-RM30	\$155	
3/4	2	04	10 - 15	120	PESWS-12V18EX-RM31	\$161	PESWS-12V18AX-RM31	\$170	
				208-240	PESWS-12V24EX-RM31		PESWS-12V24AX-RM31		
1	3	04	11 - 17	120	PESWS-18V18EX-RM32	\$170	PESWS-18V18AX-RM32	\$182	
				208-240	PESWS-18V24EX-RM32		PESWS-18V24AX-RM32		
1-1/2	5	04	15 - 23	120	PESWS-25V18EX-RM33	\$180	PESWS-25V18AX-RM33	\$195	
				208-240	PESWS-25V24EX-RM33		PESWS-25V24AX-RM33		
2	5	04	22 - 32	120	PESWS-25V18EX-RM34	\$180	PESWS-25V18AX-RM34	\$195	
				208-240	PESWS-25V24EX-RM34		PESWS-25V24AX-RM34		
3	-	06	25 - 40	120	PESWS-40V18EX-RM35	\$274	PESWS-40V18AX-RM35	\$300	
-	7-1/2	08	25 - 40	208-240	PESWS-50V24EX-RM36	\$430	PESWS-50V24AX-RM36	\$440	
-	7-1/2	08	32 - 50	208-240	PESWS-50V24EX-RM38	\$430	PESWS-50V24AX-RM38	\$440	
-	10	08	32 - 50	208-240	PESWS-65V24EX-RM38	\$460	PESWS-65V24AX-RM38	\$480	

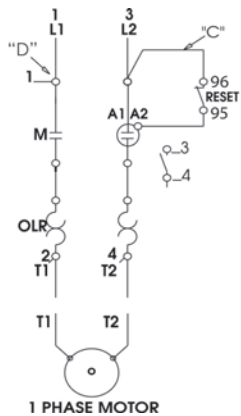
Notes:

- 1) OLR must be set at 115% of motor FLA
- 2) Single-phase starters are assembled with special 2-pole contactors and 2 pole OL relays
- 3) Starters are pre-wired for common control, ie coil voltage matched power voltage
- 4) Items not stocked. Availability under request.

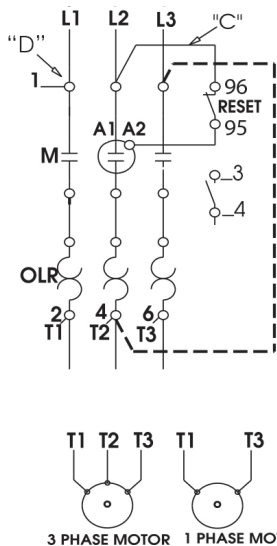
PESW

WIRING DIAGRAM

Single-phase Starter



Three-phase Starter

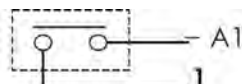


Separate Control

FOR SEPARATE CONTROL, REMOVE WIRES "C" AND "D" IF SUPPLIED AND CONNECT SEPARATE CONTROL LINES TO TERMINAL N° 96 ON THE OVERLOAD RELAY AND TO TERMINAL N° _3 ON THE AUX. CONTACT BLOCK (FOR 3 WIRE CONTROL) OR TO THE CONTACTOR COIL N° A1 (FOR 2 WIRE CONTROL).

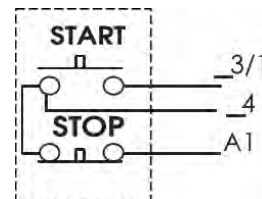
Pilot Devices

2 Wire Control



NOT FOR USE WITH AUTO RESET OL RELAYS

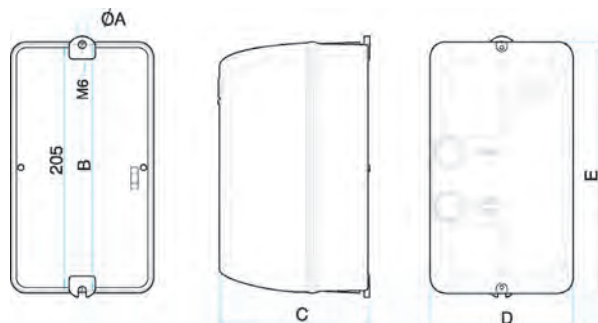
3 Wire Control



DIMENSIONS

SIZE 04 mm(in)	SIZE 06 mm (in)	SIZE 08 mm (in)	SIZE 10 mm (in)
øA = 4.5 (0.2)	øA = 6.5 (0.3)	øA = 6.0 (0.2)	øA = 7.0 (0.3)
B = 180 (7.1)	B = 205 (8.1)	B = 275 (10.8)	B = 355 (14.0)
C = 111 (4.4)	C = 126 (5.0)	C = 143 (5.6)	C = 167 (6.6)
D = 105 (4.1)	D = 120 (4.7)	D = 180 (7.1)	D = 250 (9.9)
E = 185 (7.3)	E = 210 (8.3)	E = 280 (11.0)	E = 360 (14.2)

Provision for cable gland fitting	Standard		
	Top	Bottom	Back
Size 04	2 x 1/2"	2 x 1/2"	ø18mm (0.7in)
Size 06	2 x 1/2" and 3/4"	2 x 1/2" and 3/4"	ø22mm (0.9in)
Size 08	2 x 3/4" and 1"	2 x 3/4" and 1"	-
Size 10	2 x 3/4" and 1"	2 x 3/4" and 1"	-
	1 x 1" and 1 1/4"	1 x 1" and 1 1/4"	-



For wall mounting on starters size 08 and 10, four screws with the following characteristics should be used:

- Pan, dome or rounded shaped head;
- Starter size 08:
 - * Screws size 1/4 (or M6 – ISO Standard);
 - * Dimensions: diameter thread shall be maximum 1/4 in and diameter head shall be maximum 15/64 in.
- Starter size 10:
 - * Screws size 1/2 (or M5 – ISO Standard);
 - * Dimensions: diameter thread shall be maximum 0.236 in and diameter head shall be maximum 0.394 in.

Part Number Composition

Overload Selection Table

Bimetallic Overload Relay								Manual Motor Protector			
Single-Phase		Setting Range (A)		Three-Phase		Setting Range (A)		Three-Phase		Setting Range (A)	
Code	Product	Min.	Max.	Code	Product	Min.	Max.	Code	Product	Min.	Max.
RM01 ¹	RW17-1D2-D004	0.28	0.40	R01 ¹	RW17-1D3-D004	0.28	0.40	D01	MPW25-3-C016	0.10	0.16
RM02 ¹	RW17-1D2-C063	0.40	0.63	R02 ¹	RW17-1D3-C063	0.40	0.63	D02	MPW25-3-C025	0.16	0.25
RM03 ¹	RW17-1D2-D008	0.56	0.80	R03 ¹	RW17-1D3-D008	0.56	0.80	D03	MPW25-3-C040	0.25	0.40
RM04 ¹	RW17-1D2-D012	0.80	1.20	R04 ¹	RW17-1D3-D012	0.80	1.20	D04	MPW25-3-C063	0.40	0.63
RM05 ¹	RW17-1D2-D018	1.20	1.80	R05 ¹	RW17-1D3-D018	1.20	1.80	D05	MPW25-3-U001	0.63	1.00
RM06 ¹	RW17-1D2-D028	1.80	2.80	R06 ¹	RW17-1D3-D028	1.80	2.80	D06	MPW25-3-D016	1.00	1.60
RM07 ¹	RW17-1D2-U004	2.80	4.00	R07 ¹	RW17-1D3-U004	2.80	4.00	D07	MPW25-3-D025	1.60	25.0
RM08 ¹	RW17-1D2-D063	4.00	6.30	R08 ¹	RW17-1D3-D063	4.00	6.00	D08	MPW25-3-U004	2.50	4.00
RM09 ¹	RW17-1D2-U008	5.60	8.00	R09 ¹	RW17-1D3-U008	5.60	8.00	D09	MPW25-3-D063	4.00	6.30
RM10 ¹	RW17-1D2-U010	7.00	10	R10 ¹	RW17-1D3-U010	7.00	10	D10	MPW25-3-U010	6.30	10
RM11 ¹	RW17-1D2-D125	8.00	12	R11 ¹	RW17-1D3-D125	8.00	12	D11	MPW25-3-U016	10	16
RM12 ¹	RW17-1D2-U015	10.0	15	R12 ¹	RW17-1D3-U015	10	15	D12	MPW25-3-U020	16	20
RM13 ¹	RW17-1D2-U017	11.0	17	R13 ¹	RW17-1D3-U017	11	17	D13	MPW25-3-U025	20	25
RM14 ¹	RW17-2D2-U010	7.00	10	R14 ¹	RW17-2D3-U010	7.00	10	D14	MPW25-3-U032	25	32
RM15 ¹	RW17-2D2-D125	8.00	12	R15 ¹	RW17-2D3-D125	8.00	12	D15	MPW65-3-U016	10	16
RM16 ¹	RW17-2D2-U015	10	15	R16 ¹	RW17-2D3-U015	10	15	D16	MPW65-3-U020	16	20
RM17 ¹	RW17-2D2-U017	11	17	R17 ¹	RW17-2D3-U017	11	17	D17	MPW65-3-U025	20	25
RM18 ¹	RW17-2D2-U023	15	23	R18 ¹	RW17-2D3-U023	15	23	D18	MPW65-3-U032	25	32
RM19 ¹	RW17-2D2-U032	22	32	R19 ¹	RW17-2D3-U032	22	32	D19	MPW65-3-U040	32	40
RM20	RW27-1D2-D004	0.28	0.40	R20	RW27-1D3-D004	0.28	0.40	D20	MPW65-3-U050	40	50
RM21	RW27-1D2-C063	0.40	0.63	R21	RW27-1D3-C063	0.40	0.63	D21	MPW65-3-U065	50	65
RM22	RW27-1D2-D008	0.56	0.80	R22	RW27-1D3-D008	0.56	0.80	D22	MPW100-3-U075	55	75
RM23	RW27-1D2-D012	0.80	1.20	R23	RW27-1D3-D012	0.80	1.20	D23	MPW100-3-U090	70	90
RM24	RW27-1D2-D018	1.20	1.80	R24	RW27-1D3-D018	1.20	1.80	D24	MPW100-3-U100	80	100
RM25	RW27-1D2-D028	1.80	2.80	R25	RW27-1D3-D028	1.80	2.80				
RM26	RW27-1D2-U004	2.80	4.00	R26	RW27-1D3-U004	2.80	4.00				
RM27	RW27-1D2-D063	4.00	6.30	R27	RW27-1D3-D063	4.00	6.30				
RM28	RW27-1D2-U008	5.60	8.00	R28	RW27-1D3-U008	5.60	8.00				
RM29	RW27-1D2-U010	7.00	10	R29	RW27-1D3-U010	7.00	10				
RM30	RW27-1D2-D125	8.00	12	R30	RW27-1D3-D125	8.00	12				
RM31	RW27-1D2-U015	10	15	R31	RW27-1D3-U015	10	15				
RM32	RW27-1D2-U017	11	17	R32	RW27-1D3-U017	11	17				
RM33	RW27-1D2-U023	15	23	R33	RW27-1D3-U023	15	23				
RM34	RW27-1D2-U032	22	32	R34	RW27-1D3-U032	22	32				
RM35	RW67-1D2-U040	25	40	R35	RW67-1D3-U040	25	40				
RM36	RW67-2D2-U040	25	40	R37	RW67-1D3-U050	32	50				
RM38	RW67-2D2-U050	32	50	R38	RW67-2D3-U050	32	50				
RM39	RW67-2D2-U057	40	57	R39	RW67-2D3-U057	40	57				
RM40	RW67-2D2-U063	50	63	R40	RW67-2D3-U063	50	63				
RM41	RW67-2D2-U070	57	70	R41	RW67-2D3-U070	57	70				
RM42	RW67-2D2-U080	63	80	R42	RW67-2D3-U080	63	80				
				R43	RW117-1D3-U080	63	80				
				R44	RW117-1D3-U097	75	97				
				R45	RW117-1D3-U112	90	112				
				R46	RW117-2D3-U097	75	97				
				R47	RW117-2D3-U112	90	112				
				R48	RW317-1D3-U150	100	150				
				R49	RW317-1D3-U215	140	215				
				R50	RW317-1D3-U310	200	310				
				R51	RW317-1D3-U420	275	420				
				R54	RW407-1D3-U600	400	600				
				R55	RW407-1D3-U840	560	840				

Notes: 1) Non-stocked item

Variable Frequency Drives and Enclosed Motor Controls

COMBINATION STARTERS



WEG's full voltage non-reversing combination starters represent a competitive alternative to the traditional NEMA starters by offering:

- Reduced overall dimensions, yet providing reasonable internal wiring space
- Rotary through-the-door disconnect instead of the traditional flange operator
- UL/CSA approved performance in more compact components.

Two series are available off the shelf:

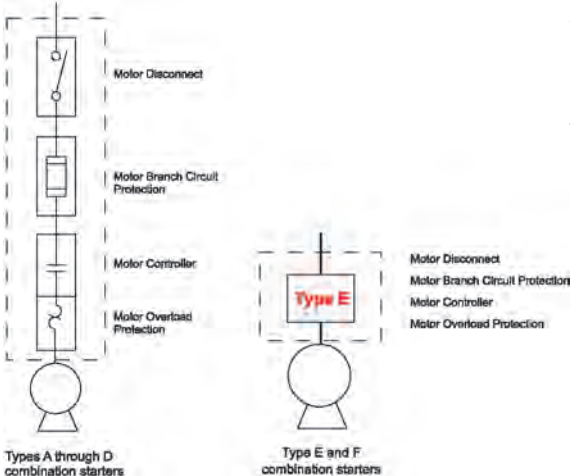
- MCCB disconnect – ESWC Series
- Motor protector – ESWE & ESWF Series

Combination Starter Basics

Combination starters are the most common type of packaged motor controllers. They are called combination because of their construction and combined functions required by the US National Electric Code (NEC): Motor Disconnect, Motor Branch Circuit Protection, Motor Controller and Motor Overload Protection. UL & CSA currently recognizes six different constructions of combination starters that meet the requirements of a motor branch circuit.

Constructions Types A through D are traditional starters that use either a listed disconnect switch and fuses or a listed circuit breaker as the disconnect means and for short circuit protection. Each type uses a separate UL508 listed motor controller and overload relay. Recently revisions on UL508 introduced the Type E and Type F starters.

UL Combination Starter Type	Device Used for Component Function			
	Disconnected	Branch Circuit Protection	Motor Controller	Motor OL Relay
A	UL 98 Manual Disconnect	UL 248 Fuses	UL 508 Magnetic or Solid State Controller	UL 508 Motor Overload Relay
B		UL 508 Motor Short Circuit Protector		
C	UL 489 Inverse Time Circuit Breaker			
D	UL 489 Instantaneous Trip Circuit Breaker			
E	UL 508 Self-Protected Combination Controller			
F	UL 508 Manual Self-Protected Combination Controller	UL 508 Magnetic or Solid State Controller	UL 508 Magnetic or Solid State Controller	UL 508 Manual Self-Protected Combination Controller



Type E starter is a self-protected combination motor controller that combines in a single device all the required functions of a combination starter eliminating any additional requirements for upstream fuses or circuit breaker. Type F starter consists of a listed manual Type E combined with a UL508 listed contactor.

Combination Type-C Across The Line Starter

THREE-PHASE without Control Power Transformer

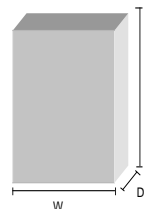
- Branch Disconnect: Rotary through-the-door Handle
- Short-Circuit Protection: Molded Case Circuit Breaker
- Motor Control: Magnetic Contactor
- Overload Protection: Thermal Overload Relay
- Control Devices: Hand-Off-Auto switch, Start- Stop and reset pushbutton
- Other enclosure options available on request

ESWC Series - Combination Type-C Across The Line Starter with no CPT

Max. 3-ph Hp Motors				Overload Setting Range (A)	Control Voltage (1) (Vac)	Metallic Enclosure Type 4/12			Multiplier
200V	230V	460V	575V			Catalog Number	List Price	Box Size	
1-1/2	1 1/2	3	5	4 - 6.3	120	ESWC-25V18N4-R27	\$1,635	C-1	Z3
					208-240	ESWC-25V24N4-R27			
					480	ESWC-25V47N4-R27			
2	2	5	5	5.6 - 8	120	ESWC-25V18N4-R28	\$1,635	C-1	
					208-240	ESWC-25V24N4-R28			
					480	ESWC-25V47N4-R28			
3	3	7 1/2	7.5	8 - 12.5	120	ESWC-25V18N4-R30	\$1,635	C-1	
					208-240	ESWC-25V24N4-R30			
					480	ESWC-25V47N4-R30			
5	5	10	10	11 - 17	120	ESWC-25V18N4-R32	\$1,680	C-1	
					208-240	ESWC-25V24N4-R32			
					480	ESWC-25V47N4-R32			
7 1/2	7 1/2	15	15	15 - 23	120	ESWC-25V18N4-R33	\$1,680	C-1	
					208-240	ESWC-25V24N4-R33			
					480	ESWC-25V47N4-R33			
10	10	20	25	22 - 32	120	ESWC-40V18N4-R34	\$1,765	C-1	
					208-240	ESWC-40V24N4-R34			
					480	ESWC-40V47N4-R34			
10	15	25	25	25 - 40	120	ESWC-40V18N4-R35	\$1,850	C-1	
					208-240	ESWC-40V24N4-R35			
					480	ESWC-40V47N4-R35			
10	15	30	-	32 - 50	120	ESWC-40V18N4-R37	\$1,980	C-1	
					208-240	ESWC-40V24N4-R37			
					480	ESWC-40V47N4-R37			
20	20	40	50	40 - 57	120	ESWC-65V18N4-R39	\$2,070	C-1	
					208-240	ESWC-65V24N4-R39			
					480	ESWC-65V47N4-R39			
20	20	50	-	57 - 70	120	ESWC-65V18N4-R41	\$2,160	C-1	
					208-240	ESWC-65V24N4-R41			
					480	ESWC-65V47N4-R41			
25	30	60	60	63 - 80	120	ESWC-105V18N4-R43	\$2,765	C-1	
					208-240	ESWC-105V24N4-R43			
					480	ESWC-105V47N4-R43			
30	40	75	75	75 - 97	120	ESWC-105V18N4-R44	\$2,800	C-1	
					208-240	ESWC-105V24N4-R44			
					480	ESWC-105V47N4-R44			
40	60	100	125	100 - 150	120	ESWC-150V18N4-R48	\$5,210	C-2	
					208-240	ESWC-150V24N4-R48			
					480	ESWC-150V47N4-R48			
50	60	125	150	140 - 215	120	ESWC-150V18N4-R49	\$5,290	C-2	
					208-240	ESWC-150V24N4-R49			
					480	ESWC-150V47N4-R49			
60	75	150	200	140 - 215	120	ESWC-180V18N4-R49	\$5,530	C-2	
					208-240	ESWC-180V24N4-R49			
					480	ESWC-180V47N4-R49			
75	100	200	250	200 - 310	120	ESWC-300V18N4-R50	\$8,670	C-3	
					208-240	ESWC-300V24N4-R50			
					480	ESWC-300V47N4-R50			
100	125	250	300	275 - 420	120	ESWC-300V18N4-R51	\$9,250	C-3	
					208-240	ESWC-300V24N4-R51			
					480	ESWC-300V47N4-R51			

Notes:

- (1) Please contact your local WEG representative for starters with 575V control voltage.
- (2) 3-phase starters with 120V coil are pre-wired for separate control
- (3) 3-phase starters can be wired for single-phase applications



Box Size	Enclosure Size		
	H	W	D
C-1	24	16	8
C-2	32	24	12
C-3	40	32	12

Variable Frequency Drives and Enclosed Motor Controls

ESWC

ESWC Series - Combination Type-C Across The Line Starter

THREE-PHASE with Control Power Transformer

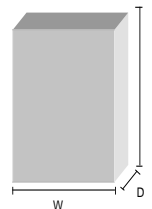
- Branch Disconnect: Rotary through-the-door Handle
- Short-Circuit Protection: Molded Case Circuit Breaker
- Motor Control: Magnetic Contactor
- Overload Protection: Thermal Overload Relay
- Control Devices: Hand-Off-Auto switch, Start-Stop and reset pushbutton
- Other enclosure options available on request

ESWC Series - Combination Type-C Across The Line Starter with CPT

Max. 3-ph Hp Motors				Overload Setting Range (A)	Control Voltage (prim. / sec.) (Vac)	Metallic Enclosure Type 4/12			Multiplier
200V	230V	460V	575V			Catalog Number	List Price	Box Size	
1-1/2	1 1/2	3	5	4 - 6.3	240 / 120	ESWC-25T02N4-R27	\$1,835	C-1	Z3
					480 / 120	ESWC-25T04N4-R27			
					575 / 120	ESWC-25T05N4-R27			
2	2	5	5	5.6 - 8	240 / 120	ESWC-25T02N4-R28	\$1,835	C-1	
					480 / 120	ESWC-25T04N4-R28			
					575 / 120	ESWC-25T05N4-R28			
3	3	7 1/2	7.5	8 - 12.5	240 / 120	ESWC-25T02N4-R30	\$1,835	C-1	
					480 / 120	ESWC-25T04N4-R30			
					575 / 120	ESWC-25T05N4-R30			
5	5	10	10	11 - 17	240 / 120	ESWC-25T02N4-R32	\$1,880	C-1	
					480 / 120	ESWC-25T04N4-R32			
					575 / 120	ESWC-25T05N4-R32			
7 1/2	7 1/2	15	15	15 - 23	240 / 120	ESWC-25T02N4-R33	\$1,880	C-1	
					480 / 120	ESWC-25T04N4-R33			
					575 / 120	ESWC-25T05N4-R33			
10	10	20	25	22 - 32	240 / 120	ESWC-40T02N4-R34	\$1,965	C-1	
					480 / 120	ESWC-40T04N4-R34			
					575 / 120	ESWC-40T05N4-R34			
10	15	25	25	25 - 40	240 / 120	ESWC-40T02N4-R35	\$2,050	C-1	
					480 / 120	ESWC-40T04N4-R35			
					575 / 120	ESWC-40T05N4-R35			
10	15	30	-	32 - 50	240 / 120	ESWC-40T02N4-R37	\$2,180	C-1	
					480 / 120	ESWC-40T04N4-R37			
					575 / 120	ESWC-40T05N4-R37			
20	20	40	50	40 - 57	240 / 120	ESWC-65T02N4-R39	\$2,320	C-1	
					480 / 120	ESWC-65T04N4-R39			
					575 / 120	ESWC-65T05N4-R39			
20	20	50	-	57 - 70	240 / 120	ESWC-65T02N4-R41	\$2,410	C-1	
					480 / 120	ESWC-65T04N4-R41			
					575 / 120	ESWC-65T05N4-R41			
25	30	60	60	63 - 80	240 / 120	ESWC-105T02N4-R43	\$3,015	C-1	
					480 / 120	ESWC-105T04N4-R43			
					575 / 120	ESWC-105T05N4-R43			
30	-	75	75	75 - 97	240 / 120	ESWC-105T02N4-R44	\$3,050	C-1	
					480 / 120	ESWC-105T04N4-R44			
					575 / 120	ESWC-105T05N4-R44			
40	60	100	125	100 - 150	240 / 120	ESWC-150T02N4-R48	\$5,610	C-2	
					480 / 120	ESWC-150T04N4-R48			
					575 / 120	ESWC-150T05N4-R48			
50	60	125	150	140 - 215	240 / 120	ESWC-150T02N4-R49	\$5,690	C-2	
					480 / 120	ESWC-150T04N4-R49			
					575 / 120	ESWC-150T05N4-R49			
60	75	150	200	140 - 215	240 / 120	ESWC-180T02N4-R49	\$5,930	C-2	
					480 / 120	ESWC-180T04N4-R49			
					575 / 120	ESWC-180T05N4-R49			
75	100	200	250	200 - 310	240 / 120	ESWC-300T02N4-R50	\$9,070	C-3	
					480 / 120	ESWC-300T04N4-R50			
					575 / 120	ESWC-300T05N4-R50			
100	125	250	300	275 - 420	240 / 120	ESWC-300T02N4-R51	\$9,650	C-3	
					480 / 120	ESWC-300T04N4-R51			
					575 / 120	ESWC-300T05N4-R51			

Notes:

- (1) Please contact your local WEG representative for starters with other control voltage.
- (2) 3-phase starters can be wired for single-phase applications



Dimensions (inches)			
Box Size	Enclosure Size		
	H	W	D
C-1	24	16	8
C-2	32	24	12
C-3	40	32	12

Variable Frequency Drives and Enclosed Motor Controls

Combination Type-E Across The Line Starter

- Branch Disconnect: Rotary through-the-door Handle
- Short-Circuit Protection: Manual Motor Protection
- Motor Control: Magnetic Contactor
- Overload Protection: Manual Motor Protection
- Control Devices: Hand-Off-Auto switch, Start-Stop pushbutton, pilot lights
- Other enclosure options available upon request

Three-Phase without CPT - Enclosure Type-4X

Combination Type-E Across The Line Starter

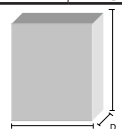
Max. 3-ph Hp Motors				Overload Setting Range (A)	Control Voltage (1) (Vac)	Non-Metallic Enclosure Type 4X			Multiplier
200V	230V	460V	575V			Catalog Number	List Price	Box Size	
-	-	1/2	1/2	0.63 - 1.0	120	ESWE-9V18KX-D05	\$855	E-1	Z3
					480	ESWE-9V47KX-D05			
1/4	1/3	3/4	1	1.0 - 1.6	120	ESWE-9V18KX-D06	\$855	E-1	
					208-240	ESWE-9V24KX-D06			
					480	ESWE-9V47KX-D06			
					120	ESWE-9V18KX-D07			
1/2	1/2	1-1/2	1-1/2	1.6 - 2.5	208-240	ESWE-9V24KX-D07	\$855	E-1	
					480	ESWE-9V47KX-D07			
					120	ESWE-9V18KX-D08			
					208-240	ESWE-9V24KX-D08			
3/4	1	2	3	2.5 - 4.0	480	ESWE-9V47KX-D08	\$855	E-1	
					120	ESWE-9V18KX-D09			
1-1/2	1-1/2	3	5	4.0 - 6.3	208-240	ESWE-9V24KX-D09	\$855	E-1	
					480	ESWE-9V47KX-D09			
					120	ESWE-9V18KX-D10			
					208-240	ESWE-9V24KX-D10			
3	3	5	7-1/2	6.3 - 10	480	ESWE-9V47KX-D10	\$865	E-1	
					120	ESWE-18V18KX-D11			
5	5	10	15	10 - 16	208-240	ESWE-18V24KX-D11	\$875	E-1	
					480	ESWE-18V47KX-D11			
7-1/2	7-1/2	15	15	16 - 20	120	ESWE-25V18KX-D12	\$900	E-1	
					208-240	ESWE-25V24KX-D12			
					480	ESWE-25V47KX-D12			
					120	ESWE-40V18KX-D14			
10	10	20	25	25 - 32	208-240	ESWE-40V24KX-D14	\$990	E-1	
					480	ESWE-40V47KX-D14			

Three-Phase with CPT - Enclosure Type-4X

Max. 3-ph Hp Motors				Overload Setting Range (A)	Control Voltage (prim. / sec.) (Vac)	Non-Metallic Enclosure Type 4X			Multiplier
200V	230V	460V	575V			Catalog Number	List Price	Box Size	
-	-	1/2	1/2	0.63 - 1.0	480 / 120	ESWE-9T04KX-D05	\$1,140	E-1	Z3
					575 / 120	ESWE-9T05KX-D05			
1/4	1/3	3/4	1	1.0 - 1.6	240 / 120	ESWE-9T02KX-D06	\$1,140	E-1	
					480 / 120	ESWE-9T04KX-D06			
					575 / 120	ESWE-9T05KX-D06			
					240 / 120	ESWE-9T02KX-D07			
1/2	1/2	1-1/2	1-1/2	1.6 - 2.5	480 / 120	ESWE-9T04KX-D07	\$1,140	E-1	
					575 / 120	ESWE-9T05KX-D07			
					240 / 120	ESWE-9T02KX-D08			
					480 / 120	ESWE-9T04KX-D08			
3/4	1	2	3	2.5 - 4.0	575 / 120	ESWE-9T05KX-D08	\$1,140	E-1	
					240 / 120	ESWE-9T02KX-D09			
1-1/2	1-1/2	3	5	4.0 - 6.3	480 / 120	ESWE-9T04KX-D09	\$1,140	E-1	
					575 / 120	ESWE-9T05KX-D09			
					240 / 120	ESWE-9T02KX-D10			
					480 / 120	ESWE-9T04KX-D10			
3	3	5	7-1/2	6.3 - 10	575 / 120	ESWE-9T05KX-D10	\$1,140	E-1	
					240 / 120	ESWE-18T02KX-D11			
5	5	10	15	10 - 16	480 / 120	ESWE-18T04KX-D11	\$1,155	E-1	
					575 / 120	ESWE-18T05KX-D11			
7-1/2	7-1/2	15	15	16 - 20	240 / 120	ESWE-25T02KX-D12	\$1,175	E-1	
					480 / 120	ESWE-25T04KX-D12			
					575 / 120	ESWE-25T05KX-D12			
					240 / 120	ESWE-40T02KX-D14			
10	10	20	25	25 - 32	480 / 120	ESWE-40T04KX-D14	\$1,260	E-1	
					575 / 120	ESWE-40T05KX-D14			

Notes:

- (1) Please contact your local WEG representative for starters with 575V control voltage.
- (2) 3-phase starters with 120V coil are pre-wired for separate control
- (3) 3-phase starters can be wired for single-phase applications



Dimensions (inches)			
Box Size	Enclosure Size		
	H	W	D
E-1	14.2	9.9	6.6

Variable Frequency Drives and Enclosed Motor Controls

ESWF

Combination Type-F Across The Line Starter

THREE-PHASE without Control Power Transformer

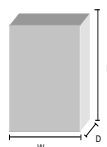
- Branch Disconnect: Rotary through-the-door Handle
- Short-Circuit Protection: Manual Motor Protection
- Motor Control: Magnetic Contactor
- Overload Protection: Manual Motor Protection
- Control Devices: Hand-Off-Auto switch, Start-Stop pushbutton
- Other enclosure options available upon request

Combination Type-F Across The Line Starter with no CPT

Max. 3-ph Hp Motors				Overload Setting Range (A)	Control Voltage (1) (Vac)	Metallic Enclosure Type 4/12			Multiplier
200V	230V	460V	575V			Catalog Number	List Price	Box Size	
-	-	1/2	1/2	0.63 - 1.0	120	ESWF-9V18N4-D05	\$1,225	F-1	Z3
					480	ESWF-9V47N4-D05			
1/4	1/3	3/4	1	1.0 - 1.6	120	ESWF-9V18N4-D06	\$1,225	F-1	
					208-240	ESWF-9V24N4-D06			
					480	ESWF-9V47N4-D06			
1/2	1/2	1-1/2	1-1/2	1.6 - 2.5	120	ESWF-9V18N4-D07	\$1,225	F-1	
					208-240	ESWF-9V24N4-D07			
					480	ESWF-9V47N4-D07			
3/4	1	2	3	2.5 - 4.0	120	ESWF-9V18N4-D08	\$1,225	F-1	
					208-240	ESWF-9V24N4-D08			
					480	ESWF-9V47N4-D08			
1-1/2	1-1/2	3	5	4.0 - 6.3	120	ESWF-9V18N4-D09	\$1,225	F-1	
					208-240	ESWF-9V24N4-D09			
					480	ESWF-9V47N4-D09			
3	3	5	7 1/2	6.3 - 10	120	ESWF-9V18N4-D10	\$1,225	F-1	
					208-240	ESWF-9V24N4-D10			
					480	ESWF-9V47N4-D10			
5	5	10	15	10 - 16	120	ESWF-18V18N4-D11	\$1,300	F-1	
					208-240	ESWF-18V24N4-D11			
					480	ESWF-18V47N4-D11			
7-1/2	7-1/2	15	15	16 - 20	120	ESWF-25V18N4-D12	\$1,390	F-2	
					208-240	ESWF-25V24N4-D12			
					480	ESWF-25V47N4-D12			
10	10	20	25	25 - 32	120	ESWF-40V18N4-D14	\$1,470	F-2	
					208-240	ESWF-40V24N4-D14			
					480	ESWF-40V47N4-D14			
-	15	25	30	32 - 40	120	ESWF-50V18N4-D19	\$1,840	F-3	
					208-240	ESWF-50V24N4-D19			
					480	ESWF-50V47N4-D19			
15	15	30	40	40 - 50	120	ESWF-65V18N4-D20	\$1,920	F-3	
					208-240	ESWF-65V24N4-D20			
					480	ESWF-65V47N4-D20			
20	20	40	60	50 - 65	120	ESWF-80V18N4-D21	\$2,010	F-4	
					208-240	ESWF-80V24N4-D21			
					480	ESWF-80V47N4-D21			
20	25	50	60	55 - 75	120	ESWF-95V18N4-D22	\$2,150	F-4	
					208-240	ESWF-95V24N4-D22			
					480	ESWF-95V47N4-D22			
25	30	60	75	70 - 90	120	ESWF-95V18N4-D23	\$2,265	F-4	
					208-240	ESWF-95V24N4-D23			
					480	ESWF-95V47N4-D23			
30	30	75	100	80 - 100	120	ESWF-105V18N4-D24	\$2,435	F-4	
					208-240	ESWF-105V24N4-D24			
					480	ESWF-105V47N4-D24			

Notes:

- (1) Please contact your local WEG representative for starters with 575V control voltage.
- (2) 3-phase starters with 120V coil are pre-wired for separate control
- (3) 3-phase starters can be wired for single-phase applications



Dimensions (inches)			
Box Size	Enclosure Size		
	H	W	D
F-1	12	12	8
F-2	14	12	8
F-3	16	12	8
F-4	20	16	8

Variable
Frequency
Drives and
Enclosed Motor
Controls

Combination Type-F Across The Line Starter

THREE-PHASE with Control Power Transformer

- Branch Disconnect: Rotary through-the-door Handle
- Short-Circuit Protection: Manual Motor Protection
- Motor Control: Magnetic Contactor
- Overload Protection: Manual Motor Protection
- Control Devices: Hand-Off-Auto switch, Start-Stop pushbutton, control transformer
- Other enclosure options available upon request

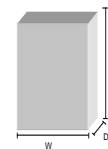
ESWF Series - Combination Type-F Across The Line Starter with CPT

Max. 3-ph Hp Motors				Overload Setting Range (A)	Control Voltage (Vac)	Metallic Enclosure Type 4/12			Multiplier
200V	230V	460V	575V			Catalog Number	List Price	Box Size	
-	-	1/2	1/2	0.63 - 1.0	480 / 120	ESWF-9T04N4-D05	\$1,325	F-1	Z3
					575 / 120	ESWF-9T05N4-D05			
1/4	1/3	3/4	1	1.0 - 1.6	240 / 120	ESWF-9T02N4-D06	\$1,325	F-1	
					480 / 120	ESWF-9T04N4-D06			
1/2	1/2	1-1/2	1-1/2	1.6 - 2.5	575 / 120	ESWF-9T05N4-D06	\$1,325	F-1	
					240 / 120	ESWF-9T02N4-D07			
1/2	1/2	1-1/2	1-1/2	1.6 - 2.5	480 / 120	ESWF-9T04N4-D07	\$1,325	F-1	
					575 / 120	ESWF-9T05N4-D07			
3/4	1	2	3	2.5 - 4.0	240 / 120	ESWF-9T02N4-D08	\$1,325	F-1	
					480 / 120	ESWF-9T04N4-D08			
3/4	1	2	3	2.5 - 4.0	575 / 120	ESWF-9T05N4-D08	\$1,325	F-1	
					240 / 120	ESWF-9T02N4-D09			
1	1	3	5	4.0 - 6.3	480 / 120	ESWF-9T04N4-D09	\$1,325	F-1	
					575 / 120	ESWF-9T05N4-D09			
1	1/2	3	5	4.0 - 6.3	240 / 120	ESWF-9T02N4-D10	\$1,325	F-1	
					480 / 120	ESWF-9T04N4-D10			
3	3	5	7 1/2	6.3 - 10	575 / 120	ESWF-9T05N4-D10	\$1,325	F-1	
					240 / 120	ESWF-9T02N4-D11			
5	5	10	15	10 - 16	480 / 120	ESWF-18T04N4-D11	\$1,400	F-1	
					575 / 120	ESWF-18T05N4-D11			
7-1/2	7 1/2	15	15	16 - 20	240 / 120	ESWF-25T02N4-D12	\$1,490	F-2	
					480 / 120	ESWF-25T04N4-D12			
7-1/2	7 1/2	15	15	16 - 20	575 / 120	ESWF-25T05N4-D12	\$1,490	F-2	
					240 / 120	ESWF-40T02N4-D14			
10	10	20	25	25 - 32	480 / 120	ESWF-40T04N4-D14	\$1,620	F-2	
					575 / 120	ESWF-40T05N4-D14			
-	15	25	30	32 - 40	240 / 120	ESWF-50T02N4-D14	\$1,990	F-3	
					480 / 120	ESWF-50T04N4-D19			
-	15	25	30	32 - 40	575 / 120	ESWF-50T05N4-D19	\$1,990	F-3	
					240 / 120	ESWF-65T02N4-D20			
15	15	30	40	40 - 50	480 / 120	ESWF-65T04N4-D20	\$2,120	F-3	
					575 / 120	ESWF-65T05N4-D20			
20	20	40	60	50 - 65	240 / 120	ESWF-80T02N4-D21	\$2,210	F-4	
					480 / 120	ESWF-80T04N4-D21			
20	20	40	60	50 - 65	575 / 120	ESWF-80T05N4-D21	\$2,210	F-4	
					240 / 120	ESWF-95T02N4-D22			
20	25	50	60	55 - 75	480 / 120	ESWF-95T04N4-D22	\$2,350	F-4	
					575 / 120	ESWF-95T05N4-D22			
20	25	50	60	55 - 75	240 / 120	ESWF-95T02N4-D23	\$2,465	F-4	
					480 / 120	ESWF-95T04N4-D23			
25	30	60	75	70 - 90	575 / 120	ESWF-95T05N4-D23	\$2,465	F-4	
					240 / 120	ESWF-105T02N4-D24			
25	30	60	75	70 - 90	480 / 120	ESWF-105T04N4-D24	\$2,635	F-4	
					575 / 120	ESWF-105T05N4-D24			

Notes:

- (1) Please contact your local WEG representative for starters with other control voltage.
- (2) 3-phase starters can be wired for single-phase applications

Dimensions (inches)			
Box Size	Enclosure Size		
	H	W	D
F-1	12	12	8
F-2	14	12	8
F-3	16	12	8
F-4	20	16	8



Variable Frequency Drives and Enclosed Motor Controls

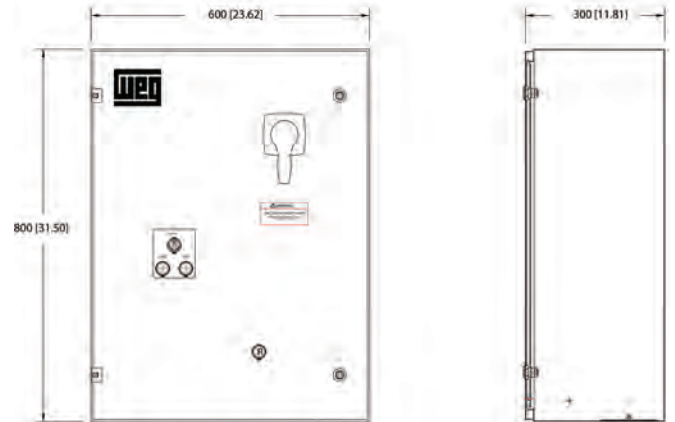
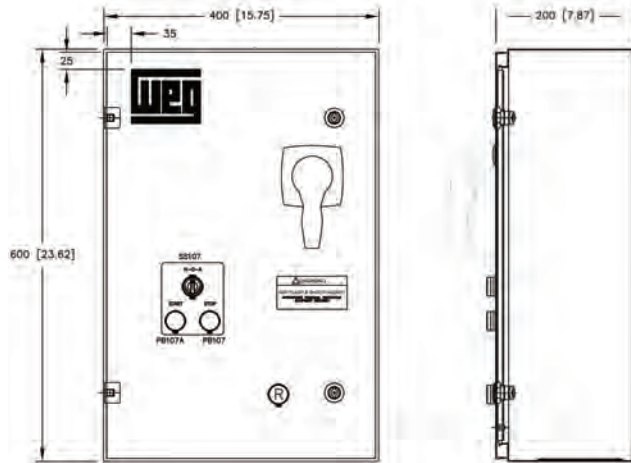
ESWC

Dimensions (in) - ESWC Series
Type 4 / 12 - Metallic Enclosure

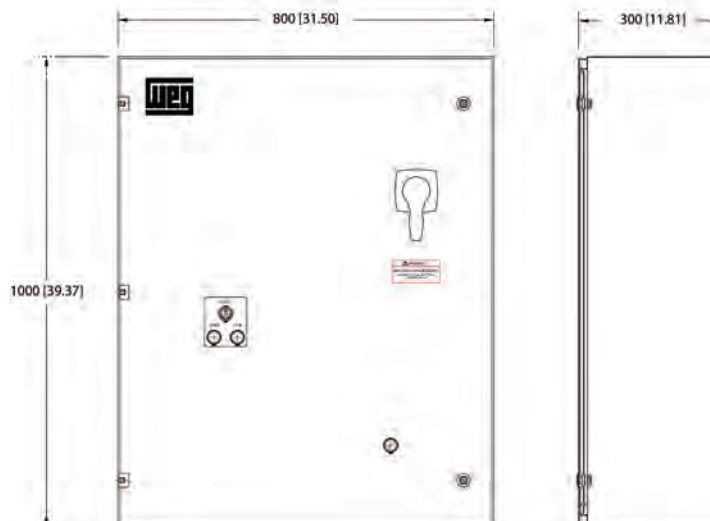
Size C-1



Size C-2



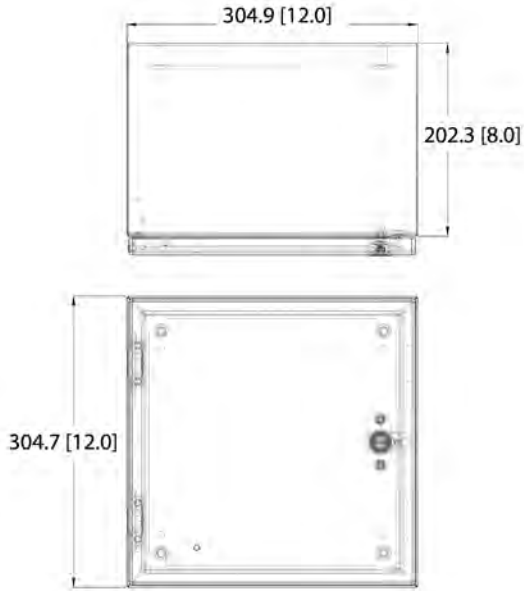
Size C-3



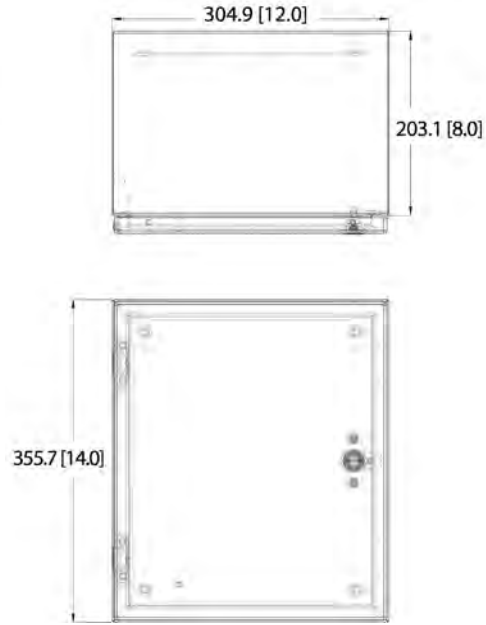
Variable
Frequency
Drives and
Enclosed Motor
Controls

Dimensions (in) – ESWF SERIES Type 4 / 12 – Metallic Enclosure

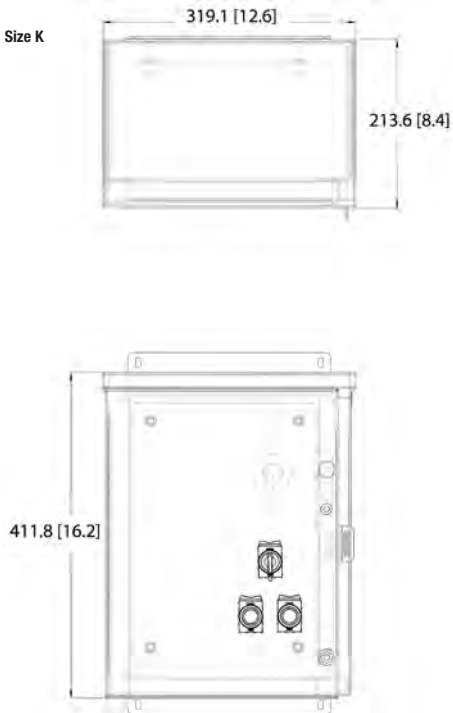
Size GX



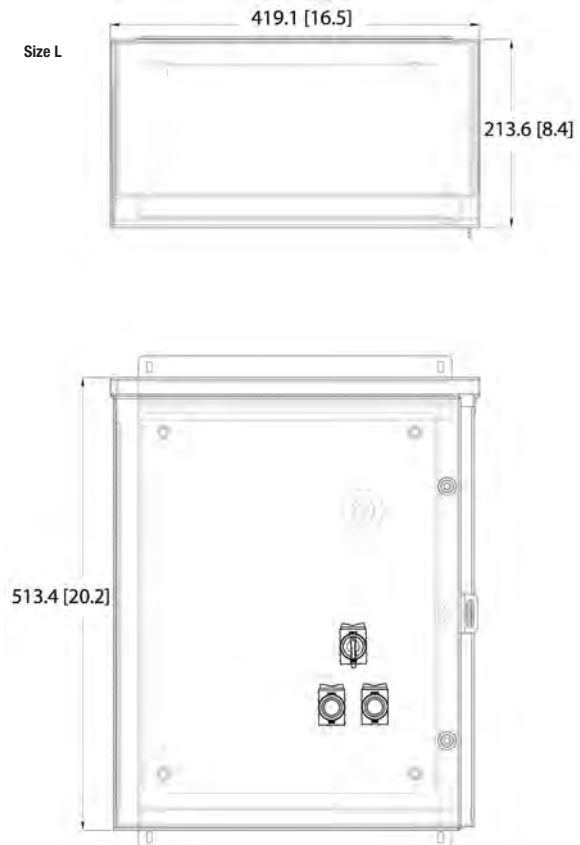
Size I



Size K



Size L



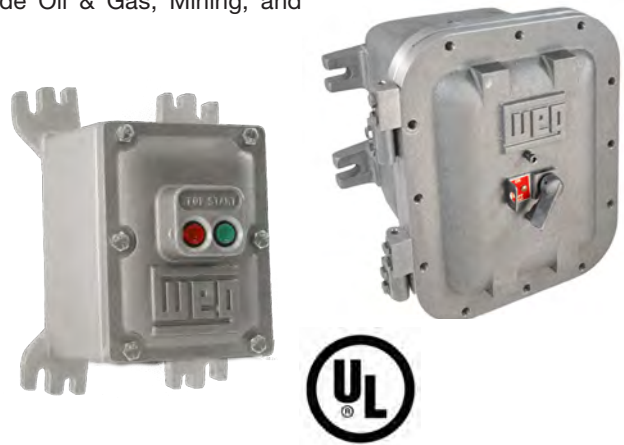
ESWX

Motor Control for Hazardous Areas: Class I, Groups C & D - Class II, Groups E, F, G

WEG Explosion Proof Motors Starters are the perfect compliment for motor control in Hazardous and Industrial environments. Applications include Oil & Gas, Mining, and Chemical Processing industries.

ESWX-M Series - Enclosed Manual Motor Starters

- High short-circuit interrupting rating – up to 50kA @ 480V
- Thermal overload protection Class 10
- Phase loss sensitivity protection
- Ambient temperature compensation -4°F +140°F (-20°C +60°C)
- Lockable rotary handle mechanism for disconnect
- Snap-in accessories
- Finger safe protected terminals
- Test trip feature
- Manual Motor Starters
- Suitable for motor disconnect applications
- UL Type-E self protected combination starter (available on request)



ESWX Series - Enclosed Starters

- Copper free aluminum alloy body
- Bolted flange design
- Durable cast on lugs
- Watertight 'O' Rings for NEMA 4 applications
- Hinged door for easier access
- NEMA 7 / 9 housing
- Class I, Groups C & D - Class II, Groups E, F, G
- Starter includes contactor plus overload relay
- Start Stop Reset buttons (Standard)
- HOA or Pilot Light (optional)
- Available up to 75 hp @ 460 Vac – 100 amps
- NEMA rated starters available from size 00 to size 3 on request



Custom units also available on request.

Variable
Frequency
Drives and
Enclosed Motor
Controls

Motor Control for Hazardous Areas: Class I, Groups C & D - Class II, Groups E, F, G

WEG Explosion Proof Motors Starters are the perfect compliment for motor control in Hazardous and Industrial environments. Applications include Oil & Gas, Mining, and Chemical Processing industries.

Enclosure Specifications

- Versatile mounting format
- Corrosion resistant, copper free aluminum alloy body
- Bolted flange design
- Durable cast on lugs
- Watertight 'O' Rings for NEMA 4X applications
- Lockout device on cover
- Rotary Handle units include hinged door for easier access
- NEMA 4X / 7 / 9 housing
- ON/OFF - Rotary Handle or Start/Stop - Push buttons
- Rotary Lockable handle
- Available up to 75 hp @ 460 Vac – 100 amps



Explosion Proof Manual Motor Starters ESWX-M16 Series

- Versatile mounting
- NEMA 4X / 7 / 9 housing
- Start & Stop /Reset pushbuttons
- Lockable in OFF position
- Available up to 10 hp @ 460 Vac – 16 amps



ESWX-M16 - PRODUCT SELECTION

Max 3 Phase UL HP			Thermal Setting	Short-Circuit interruption capacity		Catalog Number	List Price	Multiplier
Three Phase				[A]	480 Vac			
230V	460V	575V						
-	1/2	1/2	0.63 - 1.0	50kA	10kA	ESWX-M16A79-U001	\$1,505	Z33
-	3/4	3/4	1.0 - 1.6	50kA	10kA	ESWX-M16A79-D016	\$1,505	
1/2	1	1 1/2	1.6 - 2.5	50kA	10kA	ESWX-M16A79-D025	\$1,505	
3/4	2	3	2.5 - 4.0	50kA	10kA	ESWX-M16A79-U004	\$1,505	
1 1/2	3	5	4.0 - 6.3	50kA	10kA	ESWX-M16A79-D063	\$1,505	
3	5	7 1/2	6.3 - 10	50kA	5kA	ESWX-M16A79-U010	\$1,505	
5	10	10	10 - 16	30kA	5kA	ESWX-M16A79-U016	\$1,505	

Variable Frequency Drives and Enclosed Motor Controls

ESWX

M25 Series

- NEMA 4X / 7 / 9 housing
- Hinged Cover for easy access
- ON / OFF – Rotary Handle
- Lockable in OFF position
- Available up to 20 hp @ 460 Vac– 32 amps



ESWX-M25 - PRODUCT SELECTION

Max 3 Phase UL HP			Thermal Setting [A]	Short-Circuit interruption capacity		Catalog Number	List Price	Multiplier
Three Phase				480 Vac	600 Vac			
230V	460V	575V						
-	1/2	1/2	0.63 - 1.0	50kA	25kA	ESWX-M25R79-U001	\$2,200	Z33
-	3/4	3/4	1.0 - 1.6	50kA	25kA	ESWX-M25R79-D016	\$2,200	
1/2	1	1 1/2	1.6 - 2.5	50kA	25kA	ESWX-M25R79-D025	\$2,200	
3/4	2	3	2.5 - 4.0	50kA	25kA	ESWX-M25R79-U004	\$2,200	
1 1/2	3	5	4.0 - 6.3	50kA	25kA	ESWX-M25R79-D063	\$2,200	
3	5	7 1/2	6.3 - 10	50kA	25kA	ESWX-M25R79-U010	\$2,200	
5	10	15	10 - 16	50kA	25kA	ESWX-M25R79-U016	\$2,200	
7 1/2	15	15	16 - 20	50kA	25kA	ESWX-M25R79-U020	\$2,200	
7 1/2	15	20	20 - 25	50kA	25kA	ESWX-M25R79-U025	\$2,200	
10	20	25	25 - 32	42kA	25kA	ESWX-M25R79-U032	\$2,200	

ESWX-M65 Series

- NEMA 4X / 7 / 9 housing
- Hinged Cover for easy access
- ON / OFF – Rotary Handle
- Lockable in OFF position
- Available up to 50 hp @ 460 Vac – 65 amps

ESWX-M65 - PRODUCT SELECTION

Max 3 Phase UL HP			Thermal Setting [A]	Short-Circuit interruption capacity		Catalog Number	List Price	Multiplier
Three Phase				480 Vac	600 Vac			
230V	460V	575V						
15	25	30	32 - 40	35kA	10kA	ESWX-M65R79-U040	\$2,600	Z33
15	30	40	40 - 50	35kA	10kA	ESWX-M65R79-U050	\$2,600	
20	50	60	50 - 65	35kA	10kA	ESWX-M65R79-U065	\$2,600	

ESWX-M100 Series

- NEMA 4X / 7 / 9 housing
- Hinged Cover for easy access
- ON / OFF – Rotary Handle
- Lockable in OFF position
- Available up to 75 hp @ 460 Vac – 100 amps

ESWX-M100 - PRODUCT SELECTION

Max 3 Phase UL HP			Thermal Setting [A]	Short-Circuit interruption capacity		Catalog Number	List Price	Multiplier
Three Phase				480 Vac	600 Vac			
230V	460V	575V						
25	50	60	55 - 75	50kA	10kA	ESWX-M100R79-U075	\$3,350	Z33
30	60	75	70 - 90	50kA	10kA	ESWX-M100R79-U090	\$3,350	
30	75	100	80 - 100	50kA	10kA	ESWX-M100R79-U100	\$3,350	

Variable Frequency Drives and Enclosed Motor Controls

ACCESSORIES FOR MPW18 / 40 / 65 - Summary

Description	Catalog Number	List Price	Multiplier
Auxiliary Contact Blocks			
1NO&1NC auxiliary contact block front mounting - 250Vmax.	ACBF-11	\$20	Z4
1NO&1NC auxiliary contact block left side mounting - 600Vmax.	ACBS-11	\$22	
2NO Auxiliary contact block left side mounting - 600Vmax.	ACBS-20	\$22	
2NC Auxiliary contact block left side mounting - 600Vmax.	ACBS-02	\$22	
Under Voltage and Shunt Block Releases			
Shunt release block right side mounting - 20-24V 50/60Hz	SRMP D51	\$56	Z4
Shunt release block right side mounting - 100-127V 50/60Hz	SRMP D59	\$56	
Shunt release block right side mounting - 200-240V 50/60Hz	SRMP D65	\$56	
Under voltage release block right side mounting - 24V 60Hz	URMP D02	\$56	
Under voltage release block right side mounting - 120V 60Hz	URMP V18	\$56	
Under voltage release block right side mounting - 208V 60Hz	URMP V23	\$56	
Under voltage release block right side mounting - 240V 60Hz	URMP V30	\$56	
Under voltage release block right side mounting - 480V 60Hz	URMP V47	\$56	

ACCESSORIES FOR MPW100 - Summary

Description	Catalog Number	List Price	Multiplier
Auxiliary Contact Blocks			
1NO&1NC auxiliary contact block front mounting - 250Vmax.	ACBF-11 MPW100	\$35	Z4
1NO&1NC auxiliary contact block left side mounting - 600Vmax.	ACBS-11 MPW100	\$27	
2NO Auxiliary contact block left side mounting - 600Vmax.	ACBS-20 MPW100	\$27	
2NC Auxiliary contact block left side mounting - 600Vmax.	ACBS-02 MPW100	\$27	
Under Voltage and Shunt Block Releases			
Shunt release block right side mounting - 120V 50/60Hz	SRMP V18 MPW100	\$56	Z4
Shunt release block right side mounting - 240-260V 60Hz	SRMP V33 MPW100	\$56	
Under voltage release block right side mounting - 120V 60Hz	URMP V18 MPW100	\$56	
Under voltage release block right side mounting - 240V 60Hz	URMP V33 MPW100	\$56	
Under voltage release block right side mounting - 460V 60Hz	URMP V43 MPW100	\$56	

ESWX

NEMA 7/9 Enclosure – Three Phase

- Motor Control: Magnetic Contactor
- Overload Protection: Thermal Overload Relay
- Control Devices: START STOP RESET Pusbuttons
 - H.O.A. and Pilot Lights available on request
- Cast Aluminum NEMA 7/9 housing with NEMA 4 gasket
 - Breather & Drain available on request



ESWX Series - Non-combination Across The Line Starter for use in Hazardous Areas
ENCLOSURE TYPE NEMA 7/9

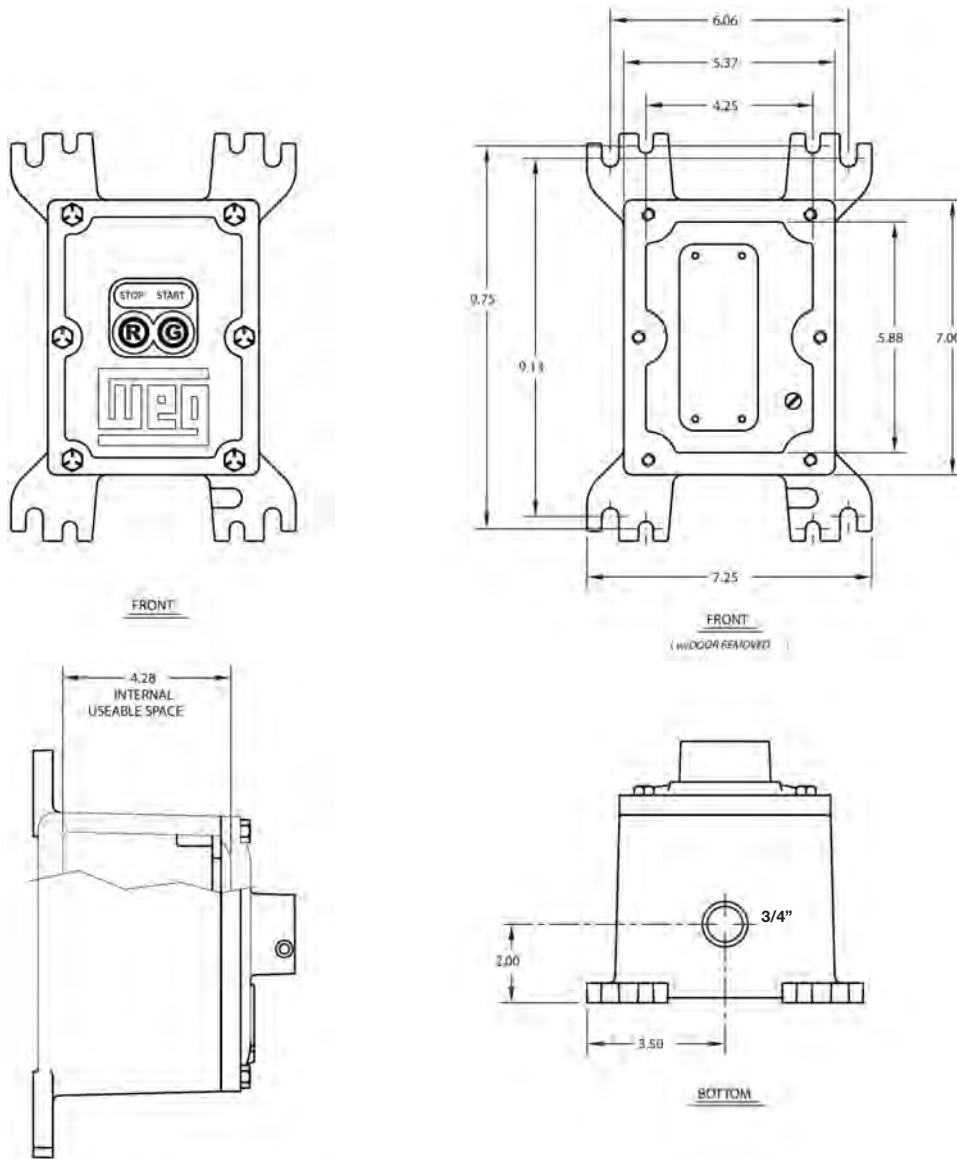
Max. UL 3 Phase Horsepower				Box	Setting Range	Coil Voltage	RESET only		START + STOP + RESET		Multiplier
200V	230V	460V	575V				Catalog Number	List Price	Catalog Number	List Price	
-	1/3	1/2	-	X04	0.8 - 1.2	120	ESWX-25V18E79-R23	\$3,250	ESWX-25V18A79-R23	\$3,850	Z33
						208-240	ESWX-25V24E79-R23		ESWX-25V24A79-R23		
						480	ESWX-25V47E79-R23		ESWX-25V47A79-R23		
-	-	1	1	X04	1.2 - 1.8	120	ESWX-25V18E79-R24	\$3,250	ESWX-25V18A79-R24	\$3,850	
						208-240	ESWX-25V24E79-R24		ESWX-25V24A79-R24		
						480	ESWX-25V47E79-R24		ESWX-25V47A79-R24		
1/2	3/4	1-1/2	2	X04	1.8 - 2.8	120	ESWX-25V18E79-R25	\$3,250	ESWX-25V18A79-R25	\$3,850	
						208-240	ESWX-25V24E79-R25		ESWX-25V24A79-R25		
						480	ESWX-25V47E79-R25		ESWX-25V47A79-R25		
1	1	2	3	X04	2.8 - 4.0	120	ESWX-25V18E79-R26	\$3,250	ESWX-25V18A79-R26	\$3,850	
						208-240	ESWX-25V24E79-R26		ESWX-25V24A79-R26		
						480	ESWX-25V47E79-R26		ESWX-25V47A79-R26		
1-1/2	1-1/2	3	5	X04	4.0 - 6.3	120	ESWX-25V18E79-R27	\$3,250	ESWX-25V18A79-R27	\$3,850	
						208-240	ESWX-25V24E79-R27		ESWX-25V24A79-R27		
						480	ESWX-25V47E79-R27		ESWX-25V47A79-R27		
2	2	5	-	X04	5.6 - 8.0	120	ESWX-25V18E79-R28	\$3,250	ESWX-25V18A79-R28	\$3,850	
						208-240	ESWX-25V24E79-R28		ESWX-25V24A79-R28		
						480	ESWX-25V47E79-R28		ESWX-25V47A79-R28		
3	3	-	7-1/2	X04	7.0 - 10	120	ESWX-25V18E79-R29	\$3,250	ESWX-25V18A79-R29	\$3,850	
						208-240	ESWX-25V24E79-R29		ESWX-25V24A79-R29		
						480	ESWX-25V47E79-R29		ESWX-25V47A79-R29		
-	-	7-1/2	10	X04	8.0 - 12.5	120	ESWX-25V18E79-R30	\$3,250	ESWX-25V18A79-R30	\$3,850	
						208-240	ESWX-25V24E79-R30		ESWX-25V24A79-R30		
						480	ESWX-25V47E79-R30		ESWX-25V47A79-R30		
5	5	10	15	X04	11 - 17	120	ESWX-25V18E79-R32	\$3,250	ESWX-25V18A79-R32	\$3,850	
						208-240	ESWX-25V24E79-R32		ESWX-25V24A79-R32		
						480	ESWX-25V47E79-R32		ESWX-25V47A79-R32		
7-1/2	7-1/2	15	-	X04	15 - 23	120	ESWX-25V18E79-R33	\$3,250	ESWX-25V18A79-R33	\$3,850	
						208-240	ESWX-25V24E79-R33		ESWX-25V24A79-R33		
						480	ESWX-25V47E79-R33		ESWX-25V47A79-R33		
10	10	20	25	X04	22 - 32	120	ESWX-40V18E79-R34	\$3,300	ESWX-40V18A79-R34	\$3,950	
						208-240	ESWX-40V24E79-R34		ESWX-40V24A79-R34		
						480	ESWX-40V47E79-R34		ESWX-40V47A79-R34		
10	15	30	-	X04	25 - 40	120	ESWX-40V18E79-R35	\$3,300	ESWX-40V18A79-R35	\$3,950	
						208-240	ESWX-40V24E79-R35		ESWX-40V24A79-R35		
						480	ESWX-40V47E79-R35		ESWX-40V47A79-R35		
15	15	30	40	X04	32 - 50	120	ESWX-80V18E79-R38	\$3,400	ESWX-80V18A79-R38	\$4,050	
						208-240	ESWX-80V24E79-R38		ESWX-80V24A79-R38		
						480	ESWX-80V47E79-R38		ESWX-80V47A79-R38		
20	20	40	50	X04	40 - 57	120	ESWX-80V18E79-R39	\$3,400	ESWX-80V18A79-R39	\$4,050	
						208-240	ESWX-80V24E79-R39		ESWX-80V24A79-R39		
						480	ESWX-80V47E79-R39		ESWX-80V47A79-R39		
-	25	50	60	X04	57 - 70	120	ESWX-80V18E79-R41	\$3,420	ESWX-80V18A79-R41	\$4,050	
						208-240	ESWX-80V24E79-R41		ESWX-80V24A79-R41		
						480	ESWX-80V47E79-R41		ESWX-80V47A79-R41		
25	30	60	75	X04	63 - 80	120	ESWX-105V18E79-R43	\$3,870	ESWX-105V18A79-R43	\$4,600	
						208-240	ESWX-105V24E79-R43		ESWX-105V24A79-R43		
						480	ESWX-105V47E79-R43		ESWX-105V47A79-R43		
30	-	75	-	X04	75 - 97	120	ESWX-105V18E79-R44	\$3,870	ESWX-105V18A79-R44	\$4,600	
						208-240	ESWX-105V24E79-R44		ESWX-105V24A79-R44		
						480	ESWX-105V47E79-R44		ESWX-105V47A79-R44		
-	40	-	-	X04	90 - 112	120	ESWX-105V18E79-R45	\$3,870	ESWX-105V18A79-R45	\$4,600	
						208-240	ESWX-105V24E79-R45		ESWX-105V24A79-R45		
						480	ESWX-105V47E79-R45		ESWX-105V47A79-R45		

Notes:

- 1) Overload Relay dial must be set with FLA of the motor
- 2) 3-phase starters with 120V coil are pre-wired for separate control
- 3) 3-phase starters can be wired for single-phase applications

Variable Frequency Drives and Enclosed Motor Controls

Explosion Proof Manual Starters Dimensions (in) ESWX-M18



Certifications
 Class I, Groups C & D
 Class II, Groups E, F, & aG
 UL Standard 1203 (Classified)
 NEMA 7 (C&D), 9 (E, F, & G)

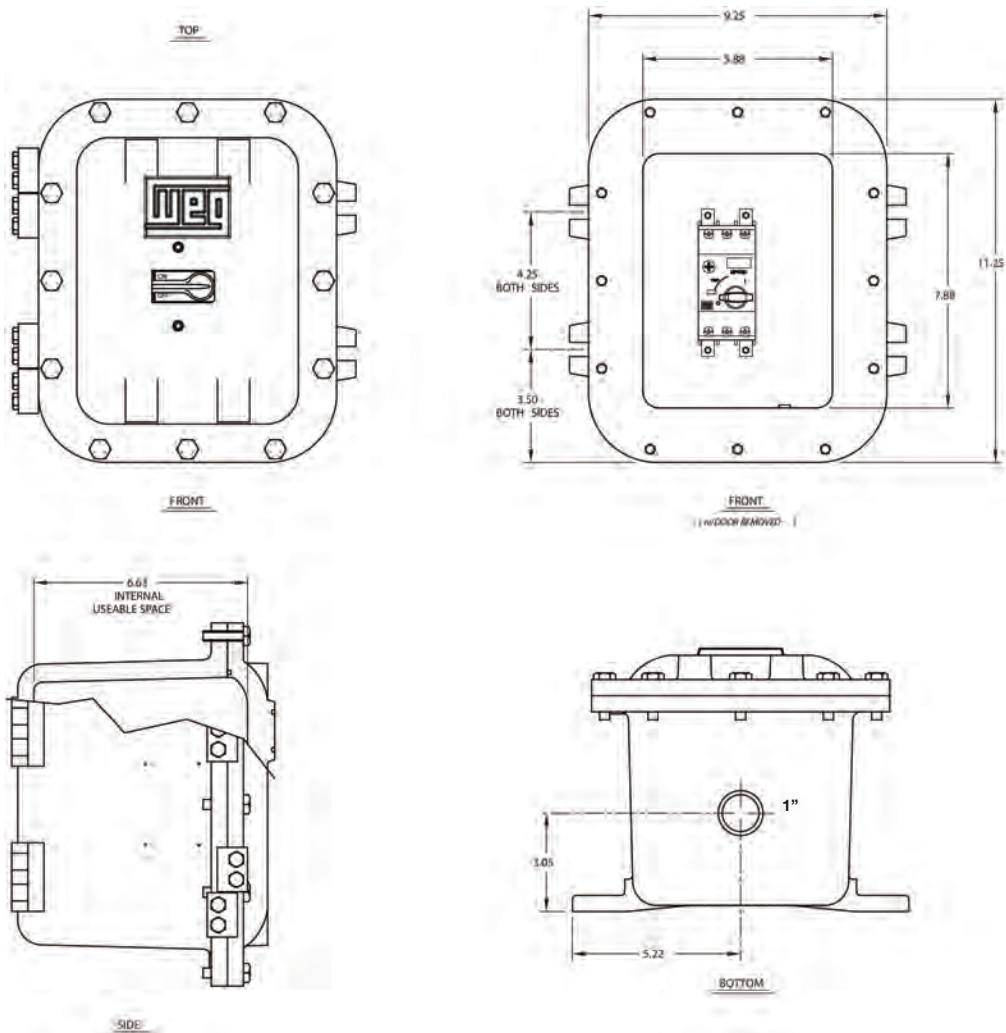


Variable Frequency Drives and Enclosed Motor Controls

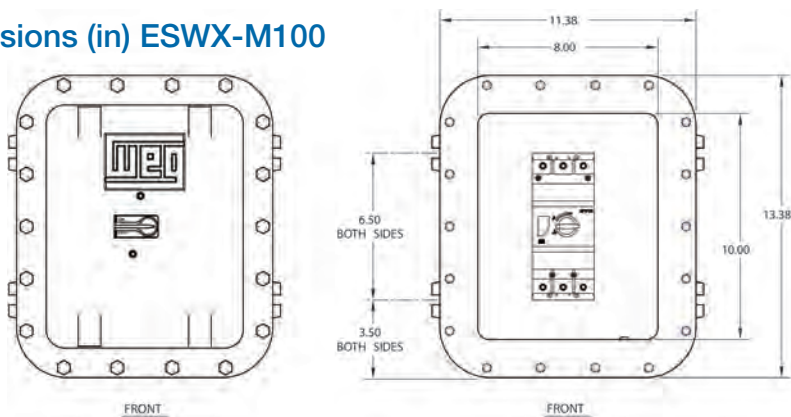
ESWX

Explosion Proof Manual Starters

Dimensions (in) ESWX-M40 and ESWX-M65



Dimensions (in) ESWX-M100

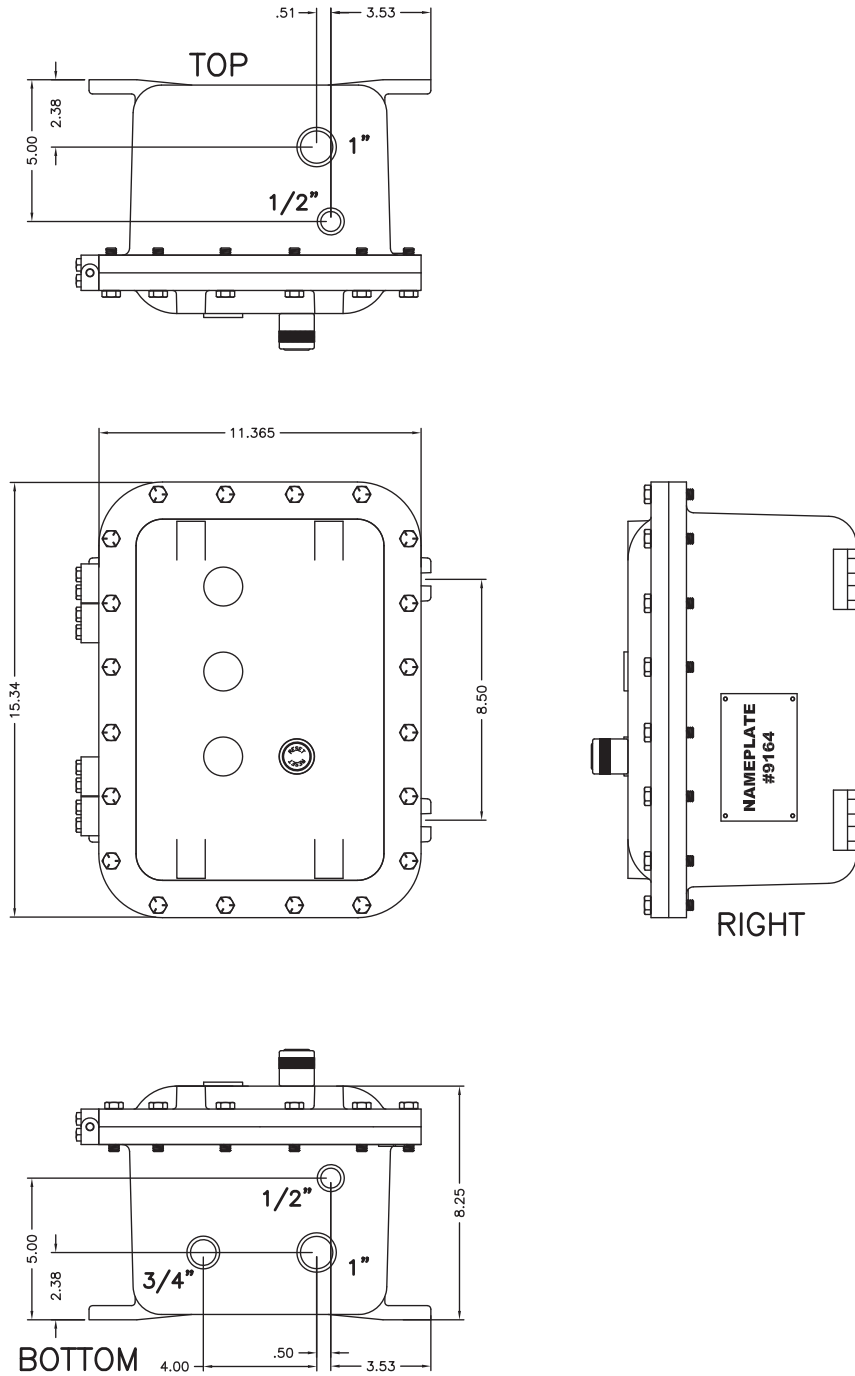


Certifications

Class I, Groups C & D
 Class II, Groups E, F, & aG
 UL Standard 1203 (Classified)
 NEMA 7 (C&D), 9 (E, F, & G)

Variable Frequency Drives and Enclosed Motor Controls

Explosion Proof Non-Combination Starters Dimensions (in) ESWX SERIES Type-NEMA 7/9 - Cast Aluminum Enclosure



Variable
Frequency
Drives and
Enclosed Motor
Controls

CUSTOM CONTROL PANELS

DATA WORKSHEET AND REQUEST FOR QUOTE

REP*		ASE*		NEED QUOTE BY*	
TAM*		TSS*		REQUESTED SHIP DATE*	

1. CUSTOMER INFO:

1.1 COMPANY NAME		1.3 CUSTOMER PHONE	
1.2 CONTACT NAME		1.4 END USER NAME	

2. SUPPORTING PRODUCT INFO:

2.1 PRODUCT INFO*	
2.1.A ENTER P/N	

3. LOAD DATA:

3.1 MOTOR HP*		3.2 MOTOR FLA*		3.3 SERVICE FACTOR	
3.4 OTHER LOAD DATA					

4. POWER AND WIRING:

4.1 PHASE*		4.2 INCOMING VOLTAGE (V)*	
4.3 FREQUENCY*		4.4 PORTABLE GENERATOR POWER?*	

5. APPLICATION & ENVIRONMENT:

5.1 STARTING METHOD*		5.1.A OTHER STARTING METHOD?*	
5.2 ENCLOSURE TYPE* (METALIC TYPE 1, 12, ETC)		5.3 SPECIFY AMBIENT TEMPERATURE IF UNIT INSTALLED OUTDOORS	5.4 SPECIFY ALTITUDE IF UNIT INSTALLED ABOVE 6,5000 FT
5.5 REPLACING STANDARD NEMA SIZE?*		5.6 MAXIMUM NUMBER OF STARTS PER HOUR*	5.7 OTHER INFORMATION

6. CIRCUIT PROTECTION:

6.1 PROTECTIVE DEVICE*	
6.1.A OTHER PROTECTIVE DEVICE	

7. CONTROL CIRCUIT:

7.1 COMMON CONTROL (SAME AS VOLTAGE TO MOTOR?)*	
7.2 CPT REQUIRED?*	
7.3 TRANSFORMER WITH EXTRA VA CAPACITY?*	

8. COVER MOUNTED 22mm DEVICES: (IF YES, ENTER QUANTITIES)

22MM RESET PBS ARE CONSIDERED BASED ON PANEL CONFIGURATION. IF RESET PBS ARE NOT NEEDED, PLEASE SPECIFY.

8.1 START/STOP PUSH BUTTON		8.2 H-0-A SELECTOR SWITCH		8.3 OFF-ON SELECTOR SWITCH		8.4 RUN LIGHT		8.5 POWER ON LIGHT		8.6 E-STOP PUSH BUTTON	
8.7 OTHER (SPECIFY)											

9. OTHER SPECIFICATIONS:

*REQUIRED FIELDS

WHEN COMPLETED, PLEASE CONTACT YOUR REGIONAL WEG SALES SPECIALIST AT 1-900-ASK-4WEG (275-4934) FOR DIRECTIONS ON SUBMITTAL FOR QUOTATION. WEG CAN HELP YOU COMPLETE ANY FURTHER PERTINENT INFORMATION TO QUOTE.



The SSW7000C uses state-of-the-art technology to provide start / stop control and protection for three-phase induction and synchronous motors. Developed to ensure excellent performance, it prevents mechanical shocks to the drivetrain, protects the motor against related burnouts or current surges in the power supply and thus offers a complete solution for various applications.

Applications

- Blowers
- Compressors
- Conveyors
- Chippers
- Fans
- Exhausters
- Pumps

Industries

- Chemical, Petrochemical, Oil and Gas
- Cement and Mining
- Steel and Metallurgy
- Sugar and Chemical
- Pulp and Paper
- Water and Waste Water Management

Variable
Frequency
Drives and
Enclosed Motor
Controls



SSW7000C

Standard Features:

- Motor voltage: 2.3kV, 4.16kV
- Power: 400 hp to 3500 hp
- Protection Degree : NEMA12, IP 41
- Operating interface (HMI) with graphic LCD
- Real time clock
- Main and bypass vacuum contactors
- Medium voltage fuses
- Power and control insulated by fiber optics
- Soft PLC Function
- License Free programming software SuperDrive and WLP
- Motor thermal protection - PT100 (accessory), 8 Channels
- Ground Fault Protection - standard
- 5 start modes
- Network communication boards (accessories): DeviceNet, Profibus-DP, Ethernet and Modbus, RS-232 or RS-485
- Flash Memory Module (accessory)

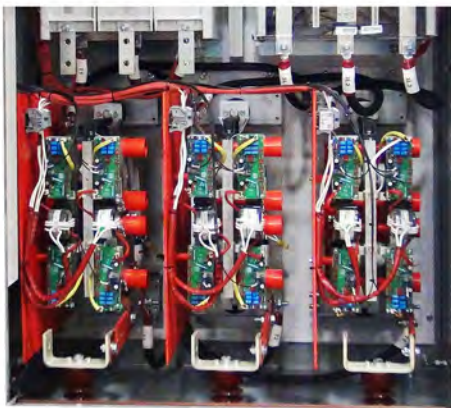
Advantages:

- Flexible Torque control
- Overload capacity of 400% for 20 s. (2x / hour duty cycle)
- Management of Demand restrictions by the electric company
- Bumpless starting
- Motor protection
- Mechanical wear reduction
- Handles lower inrush current limitations of power supply

Special Features:

- Clean Assembly with easy accessibility to all components
- Flexible Torque Control (FTC), by employing torque estimation using vector control principle and measurement of input voltage, output voltage and output current. This provides more accurate torque set-points, compared to estimating torque values only via current measurement.
- Active Protection offers complete motor protection in DOL START and RUN mode. This eliminates need for any expensive motor protection relays for backup protection.
- Optimized heat-sink design for balanced, compact cooling
- Power stacks are light weight, independent phase modules for ease of handling
- Ground Fault protection is standard
- Flexible Thermal Class Curve setup & selection that eliminates need for third party expensive protection relays
- Soft PLC function with license-free software
- Nickel plated bus bars and bus-stub connections provide corrosion resistance and ensure proper electrical connection
- Power connection terminals for TOP or BOTTOM motor connection
- Operator Interface (keypad, parameter setup) is identical to that of WEG's low voltage starter product line

Variable Frequency Drives and Enclosed Motor Controls

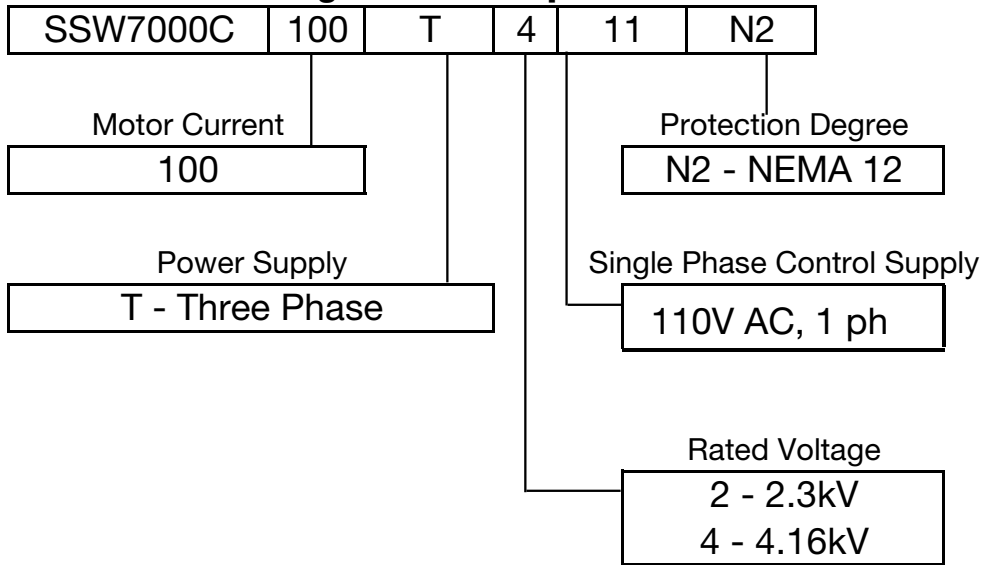


Certifications



Product Code

SSW7000C Catalog Number Sequence



Rating

Power Supply	Catalog Number	Control Voltage	Motor Power		List Price	Multiplier
			HP*	kW		
2300V, 3PH, 60HZ	SSW7000C100T211N2	110V, 1Ph	400	300	\$58,322	E3
	SSW7000C120T211N2	110V, 1Ph	500	373	\$58,684	
	SSW7000C150T211N2	110V, 1Ph	600	450	\$60,294	
	SSW7000C180T211N2	110V, 1Ph	750	560	\$61,749	
	SSW7000C210T211N2	110 V, 1Ph	950	700	\$62,570	
	SSW7000C240T211N2	110V, 1Ph	1100	800	\$63,851	
	SSW7000C300T211N2	110 V, 1Ph	1350	1000	\$69,396	
	SSW7000C370T211N2	110V, 1Ph	1650	1200	\$70,960	
	SSW7000C430T211N2	110V, 1Ph	1900	1400	\$73,789	
4160V, 3PH, 60HZ	SSW7000C100T411N2	110V, 1Ph	750	560	\$65,721	
	SSW7000C120T411N2	110V, 1Ph	1000	750	\$67,347	
	SSW7000C150T411N2	110V, 1Ph	1250	925	\$68,901	
	SSW7000C180T411N2	110V, 1Ph	1500	1100	\$70,728	
	SSW7000C210T411N2	110 V, 1Ph	1750	1300	\$71,560	
	SSW7000C240T411N2	110V, 1Ph	2000	1500	\$73,235	
	SSW7000C300T411N2	110 V, 1Ph	2500	1850	\$80,861	
	SSW7000C370T411N2	110V, 1Ph	3000	2250	\$82,080	
SSW7000C430T411N2	110V, 1Ph	3500	2600	\$86,656		

Note: (*) The motor power ratings given above are based on WEG 4-pole motors, 4.16kV, 60-Hz, PF=0.87, Eff=0.97, SF=1. For applications with high overloads or special starting conditions, contact WEG's sales force. Current Rating of SSW7000C must be calculated based on the information on load type, load speed/torque curve and required number of starts per hour. All models are available in 220V, 1Ph control voltage.

Variable Frequency Drives and Enclosed Motor Controls

MEDIUM VOLTAGE STARTERS

Options

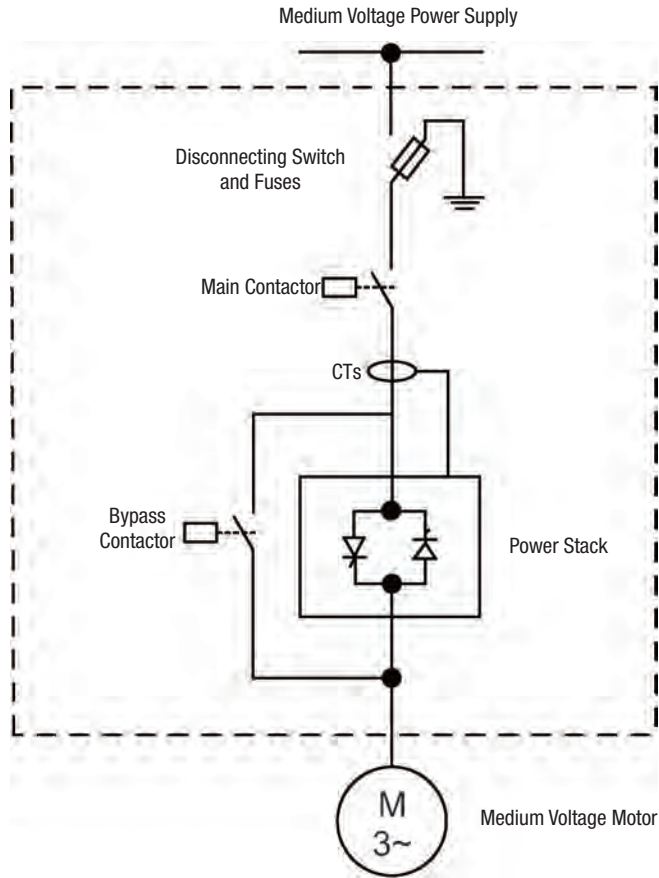
Reference	Description	Slot	List Price	Multiplier
Control accessories to install in Slots 1, 2 and 3				
IOE-04	Module for 8 temperature sensors PT100	1 and 2	\$2795	E3
RS485-01	RS-485 serial communication module (Modbus)	3	\$240	
RS232-01	RS-232C serial communication module (Modbus)		\$180	
RS232-02	RS-232C serial communication module with switch to program the microcontroller FLASH memory		\$180	
Anybus-CA Accessories to install in Slots 4				
PROFDP-05	ProfibusDP interface module	4	\$1100	E3
DEVICENET-05	Devicenet interface module			
ETHERNET/IP-05	EtherNet/IP interface module			
RS232-05	RS-232 interface module (passive) (Modbus)		\$290	
RS485-05	RS485 interface module (passive) (Modbus)		\$360	
Flash Memory Module to install in Slot 5 - Included in Standard Models				
MMF-01	FLASH memory module	5	\$71	V1
Other Accessories				
HMI-01	Man Machine Interface – MMI (sold separately) ⁽¹⁾	-	\$320	V1
RHMIF-01	Frame kit for MMI (protection rate IP56)		\$69	

Dimensions



Variable
Frequency
Drives and
Enclosed Motor
Controls

Block Diagram



Standards

ANSI/IEEE C37.2	Function/Protection Feature	Standard Option	
		<input checked="" type="checkbox"/>	<input type="checkbox"/>
19	Reduced Voltage Starting and Bypass	<input checked="" type="checkbox"/>	<input type="checkbox"/>
27	Undervoltage protection	<input checked="" type="checkbox"/>	<input type="checkbox"/>
37	Undercurrent protection	<input checked="" type="checkbox"/>	<input type="checkbox"/>
46	Phase-Balance Current protection	<input checked="" type="checkbox"/>	<input type="checkbox"/>
47	Phase Sequence	<input checked="" type="checkbox"/>	<input type="checkbox"/>
48	Incomplete Sequence	<input checked="" type="checkbox"/>	<input type="checkbox"/>
50	Instantaneous Overcurrent trip	<input checked="" type="checkbox"/>	<input type="checkbox"/>
51	Overcurrent trip	<input checked="" type="checkbox"/>	<input type="checkbox"/>
55	Power Factor check	<input checked="" type="checkbox"/>	<input type="checkbox"/>
59	Overvoltage	<input checked="" type="checkbox"/>	<input type="checkbox"/>
81	Frequency check	<input checked="" type="checkbox"/>	<input type="checkbox"/>
86	Lockout Relay - electronic	<input checked="" type="checkbox"/>	<input type="checkbox"/>
50N/51G	Ground fault detection instantaneous and fault-current	<input checked="" type="checkbox"/>	<input type="checkbox"/>
49 & 38	Winding Temperature and Bearing Temperature	<input type="checkbox"/>	<input type="checkbox"/>

Variable Frequency Drives and Enclosed Motor Controls

MEDIUM VOLTAGE STARTERS

Technical specifications

Power Supply	Power Voltage (R/1 L1, S/3L2, T/5L3)	Low voltage test: 500Vac: (-60% to +10%) or (200 to 550Vca) Models: 2300Vac: (-60% to +10%) or (920 to 2530Vca) 4160Vac: (-60% to +10%) or (2760 to 4576Vca)
	Frequency	(50 to 60Hz): (±10%) or (45 to 66Hz)
Capacity	Maximum number of starts	5 starts in 2 hours (One start every 30 minutes)
	Start cycle	AC-53a; 4.5-30:50-2
Thyristors	Medium voltage SCR per power arm	2300Vac: 2 thyristors per per power stack 4160Vac: 2 coupled pairs of thyristors
	Reverse voltage peak on the arm	2300Vac: 6.5kV 4160Vac: 13kV
Protections	Protection by Hardware	dv/dt filter Active overvoltage protection on the thyristors
	Control voltage	As per code of the SSW7000: 110Vac: (-15% to 10%) or (93.5 to 121Vac) 230Vac: (-15% to 10%) or (195.6 to 253Vac)
Control Supply	Frequency	(50 to 60Hz): (±10%) or (45 to 66Hz)
	Consumption	Continuous: 900 mA Peak: 9.5 A (during the closing of the vacuum contactors)
Control	Method	Voltage ramp. Current limitation. Pump control. Torque control. Current ramp.
Inputs	Digital	6 insulated digital inputs, 24 Vdc, programmable functions
	Analog	2 differential inputs insulated by differential amplifier; AI1 resolution: 12 bits, AI2 resolution: 11bits + signal, (0 to 10) V, (0 to 20) mA or (4 to 20) mA, Impedance: 400kΩ for (0 to 10V), 500Ω for (0 to 20mA) or (4 to 20mA), programmable functions
Outputs	Digital	3 NO/NC contact relays, 240 Vac, 1A, programmable functions.
	Analog	2 insulated outputs, (0 to 10V) RL ± 10kΩ (maximum load), 0 to 20mA or 4 to 20mA RL<500Q, 11-bit resolution, programmable functions
Man Machine Interface	Standard	9 keys: Turn/Stop, Increase, Decrease, Rotation Direction, Jog, Local/Remote, right Soft key and left Soft key. Graphic LCD. It enables access to/change of all parameters.
Safety	Main protections	Under and Overcurrent and current unbalance. Under and Overvoltage and voltage unbalance. Under and Overtorque and Active overpower Phase loss. Reverse phase sequence Overtemperature in the power racks. Motor overload. Motor overtemperature (optional). External defect. Ground fault by voltage or current. Fault in the power racks. Fault in the power contactors. Faults in the control boards. Communication faults of MMI and between controls. Faults in the communication networks. Programming errors. For further details and more protections implemented, refer to the programming manual.
Protection degree	IP41	Standard panel
PC connection for programming	USB Connector	USB standard Rev. 2.0 (basic speed). USB plug type B "device". Interconnecting Cable: standard host/device shielded USB cable
Environmental Conditions	Temperature	-10° a 40°C
	Altitude	Up to 1000 m above sea level. For higher altitudes, contact our sales force.
	Humidity	Air relative humidity of 5 % to 90 % non-condensing.
Standards	NBR IEC 62271-200	High voltage controlgear and switchgear - part 200: High voltage controlgear and switchgear in metal enclosure for voltages over 1 kV up to and including 52 kV
	IEC 62271-1	High-voltage switchgear and controlgear - Part 1: Common specifications
	IEC 60060-1	High-voltage test techniques. Part 1: General definitions and test requirements
	CISPR 11	Industrial, scientific and medical (ISM) radio-frequency equipment - electromagnetic disturbance characteristics - limits and methods of measurement
	IEC 61000-4-4	Electromagnetic compatibility (EMC) - Part 4: testing and measurement techniques - section 4: electrical fast transient/burst immunity test. Basic EMB publication
	IEC 61000-4-18	Electromagnetic compatibility (EMC) - Part 4-18: testing and measurement techniques - damped oscillatory wave immunity test
	NBR IEC 60529	Protection rates for electric equipment enclosures (ip code)
	UL 347	Medium Voltage AC Contactors, Controllers and Control Centers
UL 347B	Medium Voltage Motor Controllers	

Variable Frequency Drives and Enclosed Motor Controls

In-House Modifications

Motor Replate	A-376
Electrical Add-Ons	A-376
C-Flange Kits	A-376
D-Flange Kits	A-377
Drip Covers	A-377
Cooling	A-377
Bearings	A-378
Mounting	A-379
Environmental	A-379

Factory Built Modifications

Bearings	A-380
Cooling	A-380
Degree of Protection	A-380
Electrical Features	A-381
Flanges	A-381
Painting Plans	A-381
Painting Plan Descriptions	A-382
Special Shaft	A-382
Terminal Box	A-383
Testing	A-383

Parts

C/C-DIN Flanges for Totally Enclosed Motors	A-384
C Flanges for Open Motors	A-386
D/F Flange Kits	A-387
Drip Cover Kits	A-389
W22 Terminal Box	A-390
Brake Motor Parts	A-392
Encoders	A-394
Stub Shafts	A-395
Encoder Cables	A-395
Competitor C-Box to WEG W22 Frame Adapter	A-396
Blower Kits	A-396
Insulated Bearing Housing Endshields	A-396
Terminal Block Kits	A-397
Motor Sliding Bases	A-397
Fans and Fan Covers	A-398

NEMA FRAME		48 / 56 / 140T / 180T	210T	250T	280T	320T	360T	400T	440T	L440/500	580T	
IEC FRAME		63 / 71 / 80 / 90 / 100L/112	132S/M	160M/L	180M/L	200M/L	225S/M	250S/M	280S/M	315S/M	355M/L	
REPLATE	ADD CUSTOMER PART NUMBER AND / OR OTHER CHANGES SUCH AS VOLTAGE, HZ, ETC.											
MOD. NUMBER	NAMEPLATE											
N-10	Main Nameplate Change - Stainless Steel	NET	25	25	25	25	25	25	25	25	25	25
N-20	Additional Nameplate - Stainless Steel	NET	25	25	25	25	25	25	25	25	25	25
N-25	Additional Rating/Service - Adhesive Mylar only	NET	25	25	25	25	25	25	25	25	25	25

ELECTRICAL ADD-ON'S		INSTALLATION OF SPACE HEATERS, THERMISTORS, THERMOSTATS & EXTENDING MOTOR LEADS										
NEMA FRAME		48 / 56 / 140T / 180T	210T	250T	280T	320T	360T	400T	440T	L440/500	580T	
IEC FRAME		63 / 71 / 80 / 90 / 100L/112	132S/M	160M/L	180M/L	200M/L	225S/M	250S/M	280S/M	315S/M	355M/L	
E-25	120V Space heater - XP motors	LIST	1010.00	1012.00	1103.00	1104.00	1104.00	1107.00	1197.00	1202.00	1202.00	1206.00
E-26	240V Space heater - XP motors	LIST	1010.00	1012.00	1103.00	1104.00	1104.00	1107.00	1197.00	1202.00	1202.00	1206.00
E-30	120V Space Heater	LIST	204.09	206.55	297.34	299.45	299.45	302.26	393.04	398.64	398.64	403.92
E-40	240V Space Heater (Operating on 240V)	LIST	204.09	206.55	297.34	299.45	299.45	302.26	393.04	398.64	398.64	403.92
E-50	240V Space Heater (Operating on 120V)	LIST	217.32	221.23	312.01	315.36	315.36	319.83	410.61	419.55	419.55	427.93
E-55	Bearing RTDS (DE and NDE)	LIST	N/A	N/A	N/A	N/A	1446.01	1446.01	1446.01	1446.01	1446.01	1446.01
E-60	Winding RTD's 100 Ohm Platinum (One Per phase - 3 lead PT100's)	LIST	792.77	792.77	792.77	792.77	792.77	883.55	883.55	883.55	883.55	974.33
E-70	Thermistors (One per phase @155°C)	LIST	301.54	301.54	301.54	301.54	301.54	392.32	392.32	392.32	392.32	483.10
E-80	Thermostats (One per phase @155°C)	LIST	167.25	167.25	287.99	287.99	287.99	378.77	378.77	378.77	378.77	445.04
E-95	Provision for vibration detector (drilled and tapped)	LIST	N/A	N/A	363.13	363.13	363.13	363.13	363.13	363.13	363.13	363.13
E-99	Installation of Stubshaft Only - (Only valid for NEMA Premium® 280T & above) 5/8" stub shaft	LIST	N/A	N/A	N/A	345.00	345.00	345.00	475.00	475.00	475.00	475.00
E-100	Installation of Encoder - (Only valid for NEMA Premium® 280T & above) Dynapar HSD38 1024PPR & 5/8" stub shaft	LIST	N/A	N/A	N/A	1201.12	1201.12	1201.12	1291.90	1291.90	1291.90	1291.90
E-105	Installation of Encoder on VECTOR DUTY MOTORS (FRAMES 140- 250 - Dynapar HSD38 1024PPR with 5/8" bore)	LIST	949.02	949.02	949.02	N/A	N/A	N/A	N/A	N/A	N/A	N/A
E-110	MODIFY BRAKE RECTIFIER TO ACCEPT 460V	LIST	164.16	164.16	164.16	164.16	N/A	N/A	N/A	N/A	N/A	N/A

C-FLANGE KIT		INSTALLATION OF C-FLANGE KITS										
C-80	Installation of C-FLANGE (IEC)	LIST	343.13	343.13	343.13	558.83	558.83	558.83	1530.39	1530.39	1530.39	1530.39
C-90	Installation of C-FLANGE (TEFC - GEN PRP)	LIST	302.63	302.63	302.63	558.83	558.83	558.83	1530.39	1530.39	1530.39	1530.39
C-105	Installation of C-FLANGE (IEEE-841)	LIST	471.20	471.20	471.20	602.01	602.01	602.01	1530.39	1530.39	1530.39	1530.39
C-110	Installation of C-FLANGE (XP)	LIST	432.42	478.07	542.25	756.28	954.95	1005.92	1042.99	1128.38	N/A	N/A
C-120	Installation of C-FLANGE (ODP)	LIST	388.27	388.27	388.27	642.37	642.37	642.37	1222.32	1222.32	N/A	N/A



NEMA FRAME			48 / 56 / 140T / 180T	210T	250T	280T	320T	360T	400T	440T	L440/500	580T	
IEC FRAME			63 / 71 / 80 / 90 / 100L/112	132S/M	160M/L	180M/L	200M/L	225S/M	250S/M	280S/M	315S/M	355M/L	
D-FLANGE KIT			INSTALLATION OF D-FLANGE KITS										
D-120	Installation of D-FLANGE (IEC)	LIST	410.64	410.64	434.25	737.01	737.01	737.01	737.01	1105.00	1105.00	1105.00	1105.00
D-130	Installation of D-FLANGE (TEFC - GEN PRP)	LIST	416.79	416.79	416.79	743.52	743.52	743.52	743.52	1448.27	1448.27	1448.27	1448.27
D-135	Installation of D-FLANGE (IEEE-841)	LIST	N/A	429.05	429.05	743.52	743.52	743.52	743.52	1448.27	1448.27	1448.27	1448.27
D-140	Installation of D-FLANGE (XP)	LIST	484.25	484.25	484.25	905.08	905.08	905.08	905.08	1286.01	1286.01	N/A	N/A
D-150	Installation of D-FLANGE (ODP)	LIST	N/A	N/A	444.30	527.96	723.74	815.89	919.75	1160.84	N/A	N/A	N/A
DRIP COVERS			INSTALLATION OF DRIP COVER (RAIN CAP)										
DC-160	Drip Cover (TEFC / XP)	LIST	254.58	277.07	320.25	363.44	406.59	484.19	681.01	825.45	1058.13	1290.78	
DC-170	Drip Cover (ODP)	LIST	276.50	280.53	305.03	328.70	406.01	479.48	570.26	657.97	N/A	N/A	
COOLING			ALUMINUM FAN MATERIAL CHANGE OUT AND INSTALLATION OF BLOWER KIT (FORCED VENTILATION)										
F-180	Fan Material (ALUMINUM) Note #4	LIST	1250.55	1287.15	1287.15	1315.82	1422.28	1627.06	1717.84	1867.77	2147.10	3174.81	
F-190	Forced Ventilation: Blower Cooling (w/o Encoder) (Not valid for 48 & 56 frames)	LIST	1258.63	1371.79	1439.89	1485.12	1593.32	1797.63	1797.63	2186.87	2452.77	2478.41	
F-195	Forced Ventilation: Blower Cooling (w/ Encoder) (Not valid for 48 & 56 frames)	LIST	4337.60	4624.41	4782.99	4896.15	4950.84	5495.06	5955.95	6552.15	6817.40	7417.96	
F-200	Cast Iron Fan Cover	List	159.50	144.80	Standard	Standard	Standard	Standard	Standard	Standard	Standard	Standard	

continued on next page

NEMA FRAME			48 / 56 / 140T / 180T	210T	250T	280T	320T	360T	400T	440T	L440/500	580T
IEC FRAME			63 / 71 / 80 / 90 / 100L/112	132S/M	160M/L	180M/L	200M/L	225S/M	250S/M	280S/M	315S/M	355M/L
BEARINGS	BEARING CHANGE OUTS & SHAFT GROUNDING MODIFICATION											
B-200	Ball to Roller Bearing Conversion Note #3 & #5	LIST	N/A	N/A	527.09	616.23	645.92	1024.27	1337.85	1812.35	1890.17	1890.17
B-210	Roller to Ball conversion Note #3 & #6	LIST	N/A	N/A	N/A	N/A	N/A	N/A	1270.28	1636.34	1636.34	1636.34
B-220	Convert to Insulated Bearing - NDE ONLY	LIST	564.72	568.44	673.10	852.65	852.65	1347.85	1347.85	1721.28	1888.88	1888.88
B-225	Convert to 2RS (sealed bearings)	LIST	210.73	221.40	277.54	312.21	346.87	835.42	1077.96	N/A	N/A	N/A
B-230	External AEGIS shaft Grounding Ring - DE ONLY	LIST	258.44	258.44	258.44	262.57	262.57	273.74	273.74	402.23	530.73	871.87
B-231	Internal AEGIS Ring for W22 w/o a Flange	LIST	N/A	N/A	582.00	590.00	610.00	782.00	893.00	1143.00	N/A	N/A
B-232	Internal AEGIS Ring for W22 with any Flange	LIST	336.00	366.00	582.00	590.00	610.00	782.00	893.00	1143.00	N/A	N/A
B-233	Internal AEGIS Ring for W22 JP/JM	LIST	N/A	N/A	582.00	590.00	610.00	782.00	893.00	1143.00	N/A	N/A
B-234	Internal AEGIS Ring for W22-IEEE 841 (All Mtg)	LIST	355.00	366.00	582.00	590.00	610.00	782.00	893.00	1143.00	N/A	N/A
B-235	Internal AEGIS Ring for ODP w/o Flange	LIST	N/A	N/A	N/A	N/A	N/A	782.00	893.00	1143.00	N/A	N/A
B-236	Internal AEGIS Ring for ODP with C-Flange	LIST	N/A	N/A	501.00	N/A	N/A	782.00	893.00	1143.00	N/A	N/A
B-237	Internal AEGIS Ring for ODP JP/JM	LIST	N/A	N/A	501.00	N/A	N/A	782.00	893.00	1143.00	N/A	N/A
B-240	Spring Loaded Grounding Brush - DE Only	LIST	205.45	205.45	205.45	214.53	214.53	214.53	234.64	321.79	321.79	321.79
B-250	Installation of Helwig Grounding Brush (Includes Brush and Brush Holder - DE only)	LIST	N/A	N/A	N/A	N/A	N/A	316.56	316.56	341.12	341.12	341.12
B-255	High Frequency Terminal Box Grounding Strap (For use with VFD driven motors)	LIST	486.00	486.00	486.00	486.00	486.00	486.00	608.00	608.00	608.00	608.00
B-260	Insulated ODE End Bell conversion (TEFC 360 frames and above - W22 only)	LIST	N/A	N/A	N/A	N/A	N/A	883.87	1177.85	1474.36	1581.09	1834.53
B-270	Low Temp Bearing Grease change out (Aeroshell 22 Low Temp Grease / -50°C to 50°C) - Requires bearings change out	LIST	N/A	N/A	370.34	474.47	509.78	946.26	1036.82	1777.46	1777.46	1830.08
B-280	High Temp Bearing Grease change out (Dow Corning 44 High Temp Grease / -20°C to 90°C) - Requires Bearing Change out	LIST	N/A	N/A	370.34	474.47	509.78	946.26	1036.82	1777.46	1777.46	1830.08

NEMA FRAME			48 / 56 / 140T / 180T	210T	250T	280T	320T	360T	400T	440T	L440/500	580T
IEC FRAME			63 / 71 / 80 / 90 / 100L/112	132S/M	160M/L	180M/L	200M/L	225S/M	250S/M	280S/M	315S/M	355M/L
MOUNTING		TERMINAL BOX										
M-280	F1 to F2 Mounting Conversion (Cast Iron 3 phase motors only)	LIST	136.17	136.17	181.56	181.56	181.56	181.56	272.35	272.35	272.35	272.35
M-290	Convert Footed Motor to Round Body (Cast Iron Only)	LIST	544.69	544.69	544.69	544.69	544.69	635.47	635.47	635.47	817.04	817.04
M-300	Auxiliary terminal box (Not valid for 48 & 56 frames)	LIST	188.33	188.33	204.70	204.70	204.70	214.18	214.18	214.18	214.18	214.18
M-310	Dual Auxiliary Terminal Box Configuration (Separating Temp. Sensors and Space heaters if specified)	LIST	N/A	N/A	N/A	N/A	N/A	352.21	352.21	352.21	352.21	352.21
M-320	Install terminal block in terminal box (Cast Iron 3 Phase only - leads not connected)	LIST	244.58	258.29	258.29	285.07	337.67	337.67	532.11	643.62	736.42	736.42

ENVIRONMENTAL		ENVIRONMENTAL CONDITIONS										
EV-300	Stainless Steel Breather Drains	LIST	328.21	328.21	418.99	418.99	418.99	509.78	509.78	509.78	600.56	600.56
EV-310	Stainless Steel Hardware (Only external bolts - End bell, Terminal box cover & Fan cover)	LIST	551.68	551.68	551.68	551.68	621.51	621.51	621.51	621.51	782.12	782.12
EV-320	Grounding Provisions on Frame (TEFC cast iron only)	LIST	251.40	251.40	251.40	251.40	382.68	382.68	382.68	Standard	Standard	Standard
EV-330	Tropicalization/Anti-Fungal Protection	LIST	178.07	223.46	223.46	265.36	356.15	356.15	488.83	488.83	488.83	488.83
EV-335	IP56 Modification (GEN PRP TEFC / IEC)	LIST	1031.01	1031.01	1031.01	1031.01	1031.01	1121.79	1121.79	1121.79	1121.79	1121.79
EV-340	IP56 Modification (IEEE 841)	LIST	81.00	93.00	128.00	186.00	244.00	314.00	372.00	430.00	430.00	430.00
EV-342	IP65 Modification (IEEE 841)	LIST	98.00	112.00	154.00	223.00	293.00	377.00	447.00	517.00	517.00	517.00
EV-345	IP56 Modification (XP)	LIST	98.00	112.00	154.00	223.00	293.00	377.00	447.00	517.00	517.00	517.00
EV-350	Sealant on Joints	LIST	198.32	198.32	198.32	198.32	305.87	305.87	305.87	413.41	413.41	413.41
EV-360	External Epoxy Paint (per below color chart only)	LIST	620.11	620.11	620.11	801.68	801.68	801.68	1240.22	1240.22	1240.22	1240.22
EV-380	Top Coat Paint Color Change (per below color chart only)	LIST	396.65	396.65	396.65	520.95	520.95	520.95	645.25	645.25	645.25	645.25
EV-390	FIN-FAN Modification (IEEE 841 motors only)	LIST	572.00	608.00	723.00	812.00	812.00	1110.00	N/A	N/A	N/A	N/A
EV-400	Addition of Rodent Screens (Cast iron ODP motors only)	LIST	N/A	N/A	740.00	971.00	971.00	971.00	971.00	971.00	971.00	971.00

Notes:

1. CONSIDER TENV VECTOR DUTY MOTOR (If rating is available) = *%
2. NOT AVAILABLE AS MODIFICATION = N/A
3. CONTACT FOR QUOTE WITH LOAD DATA FOR EVALUATION
4. MACHINING REQUIRED
5. ROLLER BEARINGS SIZES NOT AVAILABLE FOR 210T FRAMES AND SMALLER
6. STOCK PRODUCT NOT AVAILABLE WITH ROLLER BEARINGS BELOW NEMA 400T
7. Pricing is subject to future updates that may alter what is reflected in printed materials.

AVAIL TOP COAT COLORS

RAL 5009 - BLUE
MUNSELL N1 - BLACK
RAL 6002 - GREEN
RAL 7022 - DARK GRAY
RAL 9010 - WHITE
RAL 3002 - RED

BEARINGS

NEMA FRAME SERIES	48	56	-	140T	180T	210T	250T	280T	320T	360T	400T	440T	L440/500	580
IEC Frame Series	-	-	63 UP 80	90	100/112	132	160	180	200	225	250	280	315	355
Ball to Roller (IV, VI, VIII P.) D.E.:	n/a	n/a	n/a	n/a	n/a	566	645	772	863	974	n/a	n/a	n/a	n/a
ZZ Bearings (Double shielded): Added when manufacturing	std	std	std	std	std	std	96	321	632	n/a	n/a	n/a	n/a	n/a
2 RS Bearing (D.E. and N.D.E.) Added when manufacturing	38	38	38	38	61	67	207	293	973	1364	n/a	n/a	n/a	n/a
Insulated (Hybrid) NDE Bearing	n/a	n/a	n/a	417	671	700	2163	2318	2755	n/a	n/a	n/a	n/a	n/a
Insulated Bearing Housing NDE Endshield	n/a	n/a	n/a	n/a	n/a	n/a	n/a	n/a	n/a	1064	1239	1539	1539	2265

COOLING

NEMA FRAME SERIES	48	56	-	140T	180T	210T	250T	280T	320T	360T	400T	440T	L440/500	580
IEC FRAME SERIES			63 UP 80	90	100/112	132	160	180	200	225	250	280	315	355
Fan Material : - Aluminum Added when manufacturing	n/a	n/a	n/a	64	110	118	132	151	175	218	255	298	348	n/a
Fan Material : - Cast Iron Added when manufacturing	n/a		n/a	34	50	61	79	107	112	185	185	216	300	527
Fan Material : - Bronze Added when manufacturing	n/a	n/a	n/a	238	532	865	1068	1,493	1,508	2,627	2,627	2,627	2,627	2,971
Forced Ventilation (TEBC) :	n/a	n/a	n/a	1,406	1,513	1,575	1,965	2,286	2,448	2,921	3,139	4,275	5,773	7,383
TEAO Added when manufacturing	54	54	54	54	81	94	97	176	176	370	370	380	439	520
Drip Cover Added when manufacturing	21	21	55	55	58	82	98	141	166	191	191	234	234	330
Textile Fan Cover Added when manufacturing	n/a	n/a	n/a	61	63	90	108	156	183	220	220	n/a	n/a	n/a

DEGREE OF PROTECTION

NEMA FRAME SERIES	48	56	-	140T	180T	210T	250T	280T	320T	360T	400T	440T	L440/500	580
IEC FRAME SERIES	-	-	63 UP 80	90	100/112	132	160	180	200	225	250	280	315	355
TEFC IP55 with Lip Seal	33	33	33	33	58	76	95	113	132	151	175	213	249	502
TEFC IP55 with Oil Seal	n/a	n/a	55	55	85	104	112	133	143	171	200	231	268	-
TEFC IP55 with Labyrinth seal or Nilos Ring	n/a	n/a	196	196	220	220	299	315	354	463	511	511	579	1380
TEFC IP56 w/ Oil Seals	n/a	n/a	n/a	75	118	176	267	383	498	441	655	1724	2041	-
TEFC IP56 w/ W3Seals (labyrinth)	n/a	n/a	n/a	230	277	401	501	643	861	825	1023	2143	2674	3815
TEFC IP65 w/ Oil Seals	n/a	n/a	n/a	75	118	176	267	383	498	441	655	1724	2041	-
TEFC IP65 w/ Taconite (labyrinth) Seals	n/a	n/a	n/a	167	205	303	398	528	709	659	857	1954	2394	3366
TEFC IP65 w/ W3seals (labyrinth)	n/a	n/a	n/a	230	277	401	501	643	861	825	1023	2143	2674	3815
TEFC IP66 w/ W3seals (labyrinth)	n/a	n/a	n/a	273	344	496	662	853	1112	1185	1515	3310	4009	5687

ELECTRICAL SPECIAL FEATURES - Added when manufacturing

NEMA FRAME SERIES	48	56	-	140T	180T	210T	250T	280T	320T	360T	400T	440T	L440/500	580
IEC FRAME SERIES	-	-	63 UP 80	90	100/112	132	160	180	200	225	250	280	315	355
Thermistors (1/phase) PTC:	n/a	n/a	142	142	142	142	142	142	142	142	142	142	142	142
Thermostats (1/phase) NC:	n/a	n/a	142	142	142	142	142	142	142	142	142	142	142	142
Bearing RTD's PT100 (1/bearing)	n/a	n/a	n/a	n/a	n/a	n/a	1215	1215	1215	1215	1215	1215	1215	1215
Winding RTD's PT100 (1/phase):	n/a	n/a	1052	1052	1052	1052	1052	1052	1052	1052	1052	1052	1052	1052
Space Heater	n/a	n/a	37	37	37	37	54	54	54	109	109	109	109	217
Class of Insulation : -"F"	Add 5% to motor list price								Add 3% to motor list price					
Class of Insulation : -"H"									Add 10% to motor price					
Epoxy varnish impregnation Enclosed motors only									Add 5% to motor price					
Above 600 V (1000 Max.)									Add 10% to motor price					

FLANGES

NEMA FRAME SERIES	48	56		140T	180T	210T	250T	280T	320T	360T	400T	440T	L440/500	580	
IEC FRAMES SERIES			63 UP 80	90	100/112	132	160	180	200	225	250	280	315	355	
FLANGE TYPE	Enclosure	List Price													
"C" Flange	TEFC	28	28	28	28	38	51	68	99	121	442	491	606	716	1,623
	ODP	28	28	-	34	38	51	68	85	100	394	446	560	-	-
	Explosion Proof	-	-	61	61	70	76	103	147	182	665	736	1,384	1,384	-
"D" Flange	TEFC	-	-	50	59	70	79	117	136	192	637	762	915	1,051	1,863
	ODP	-	-	-	-	-	-	107	126	170	537	685	855	-	-
	Explosion Proof	-	-	-	89	89	103	130	189	246	736	1,067	1,311	1,577	2,364

PAINTING PLANS Factory Build Adder

NEMA FRAME SERIES		140T	180T	210T	250T	280T	320T	360T	400T	440T	L440/500	580
IEC FRAMES SERIES	63 UP 80	90	100/112	132	160	180	200	225	250	280	315	355
Painting Plan	List Price											
202	45	58	94	120	196	228	246	308	335	402	447	745
203	58	85	138	188	290	344	384	509	553	696	808	1,269
211	106	114	133	228	467	547	597	775	828	1,003	1,075	1,113
212	122	133	171	277	585	692	779	1,026	1,121	1,410	1,577	1,661
Internal Epoxy Painting	45	58	94	120	196	228	246	308	335	402	447	745

Painting Plan Description

Painting Plan	Recommended Uses	Surface Preparation Grade	PRIMER		INTERMEDIATE		FINISH COAT		ADHERENCE GRADE ASTM
			Paint	Film Thickness (µm)	Paint	Film Thickness (µm)	Paint	Film Thickness (µm)	D-3359
201A	Non aggressive environments; Not recommended for direct exposure to solvents, alkalis and acid vapors	Sa 2 ½	Synthetic alkyd	20 – 55	-	-	Synthetic alkyd enamel	40 – 60	3B to 5B
202E	Aggressive sheltered industrial environments; Chemical, pulps and paper industries, resistant to acid steams, alkalis and solvents vapors	Sa 2 ½	Synthetic alkyd	20 - 55	Epoxy Isocyanate	20 - 30	Epoxy polyamide enamel	100 – 140	3A to 5A
202P	Aggressive sheltered or non-sheltered industrial environments; Chemical, mining, pulp and paper industries, resistant to acid steams, alkalis and solvents vapors; Indicated to food processing motors – USA and Europe	Sa 2 ½	Synthetic alkyd	20 - 55	Epoxy Isocyanate	20 - 30	1 coats Aliphatic polyurethane enamel	60 - 100	3A to 5A
203A	Environments low aggressiveness; Not recommended for direct exposure to solvents, alkalis and acid vapors	Sa 2 ½	Synthetic alkyd	20 – 55	Synthetic powdered alkyd	30 a 45	Synthetic alkyd enamel	30 – 45	3B to 5B
211E	Painting of equipment, structures in general subject to moderate and high aggressive level such as: pulp and paper plants, steel and iron and chemical industries	Sa 2 ½	Polyamide Epoxy	90 - 130	-	-	Polyamide Epoxy	90 - 130	3A to 5A
211P	Painting of equipment, structures in general subject to moderate and high aggressive level such as: pulp and paper plants, steel and iron and chemical industries	Sa 2 ½	Polyamide Epoxy	90 - 130	-	-	Aliphatic polyurethane enamel	65 – 90	3A to 5A
212E	Non sheltered marine environment; Resistant to acid, alkalis and solvent spills	Sa 2 ½	Zinc ethyl silicate	70 - 90	Epoxy polyamide	90 – 130	Polyamide Epoxy	90 – 130	3A to 5A
212P	Non sheltered marine environment; Resistant to acid, alkalis and solvent spills	Sa 2 ½	Zinc ethyl silicate	70 - 90	Epoxy polyamide	90 – 130	Aliphatic polyurethane enamel	65 – 90	3A to 5A

Special Shaft

NEMA FRAME SERIES	48	56		140T	180T	210T	250T	280T	320T	360T	400T	440T	500	580
IEC FRAMES SERIES			63 UP 80	90	100/112	132	160	180	200	225	250	280	315	355
Second Shaft End (standard dimension)	n/a	n/a	60	72	87	101	104	189	189	392	396	407	752	879
Threaded center hole in the shaft end	n/a	n/a	33	33	41	51	85	136	155	std	std	std		
420 Stainless steel shaft end	Add 10% to motor list price													
315 Stainless steel shaft end	Add 15% to motor list price													
Special Shaft														
Special Shaft Diameter (Type "A" mod)	n/a	n/a	58	58	87	130	151	189	209	392	396	407	752	879
Special Shaft Length (Type "B" mod)	n/a	n/a	63	63	96	113	120	208	216	446	450	473	821	987
Special Shaft Diameter & Length (Type "C" mod)	n/a	n/a	72	72	125	141	158	249	262	574	579	628	965	1117
Special Shaft Diameter, Length & Tapered (Type "D" mod)	n/a	n/a	79	79	130	156	174	271	288	646	654	716	1023	1254
Balance - Reduced	n/a	n/a	n/a	33	79	91	100	125	134	156	167	188	507	616
Balance - Special	n/a	n/a	n/a	58	87	133	159	180	217	250	283	317	846	1044

Terminal Box*

NEMA FRAME SERIES	48	56		140T	180T	210T	250T	280T	320T	360T	400T	440T	L440/500	580
IEC FRAMES SERIES			63 UP 80	90	100/112	132	160	180	200	225	250	280	315	355
Cable Gland - Plastic	n/a	n/a	10	10	14	14	22	22	22					
Cable Gland - Brass	n/a	n/a	33	33	50	50	182	182	182	567	567	567	567	714
Threaded Plug	n/a	n/a	6	6	9	9	18	18	18	22	22	22	22	44
Terminal Block (6 pin):	n/a	n/a	9	9	14	23	23	41	41	197	197	380	380	753
Additional terminal box	n/a	n/a	n/a	30	30	41	41	41	41	59	59	59	70	118
Without Terminal Box	n/a	n/a	18	18	22	22	33	33	33	45	45	47	58	70

* Not valid for Hazardous Location Motors

Testing:

NEMA FRAME SERIES	48	56		140T	180T	210T	250T	280T	320T	360T	400T	440T	L440/500	380
IEC FRAMES SERIES			63 UP 80	90	100/112	132	160	180	200	225	250	280	315	355
Routine Test - Unwitnessed			381	381	381	513	513	513	513	622	622	718	877	877
Routine Test - Witnessed			1215	1215	1215	1427	1427	1427	1427	1683	1683	1903	2368	2368
Type Test - Unwitnessed			586	586	586	769	769	769	769	952	952	1208	1768	1768
Type Test - Witnessed			1419	1419	1419	1632	1632	1632	1632	1939	1939	2195	2318	2318
Vibration Test			183	183	183	205	205	205	205	285	285	403	559	559
Noise Level Test			213	213	213	242	242	242	242	322	322	462	638	638

Test Description:

Routine Test

- Winding resistance check (at cold)
- Locked Rotor test (torque, current and absorbed power)
- No-load test (current and absorbed power)
- Hi-pot
- Insulation resistance
- Accessories check for continuity (if applicable)

Type Test

- Winding resistance check (at cold)
- Locked Rotor test (torque, current and absorbed power)
- Load test, including temperature rise with constant output power at full load)
- Breakdown Torque test
- No-load test (current and absorbed power)
- Vibration test on motors 364/5T and above
- Hi-pot
- Insulation resistance
- Accessories check for continuity (if applicable)

Vibration Test

- Vibration measure on as many as 6 points, depending on the mechanical envelope of the motor allowing access to all the reading points
- Test performed with half key on the shaft
- Performed with motor on an elastic mounting base (rigid base when requested)

Noise Test

- Performed at no load on an acoustic chamber
- Measurements at 1 m (~ 3.3ft) distance from the motor
- Readings:
 - Total sound pressure level of the motor at 4 points, in dB(A)
 - Bearings sound pressure level in dB(A)
 - Frequency spectrum of the global noise for the point with the most intense reading, at 50% and 100% of rated voltage
 - Frequency spectrum of the bearings noise for the point with the most intense global reading, at 50% and 100% of rated voltage



C/C-DIN FLANGES FOR TOTALLY ENCLOSED MOTORS

Nema Frames - Cast Iron - TEFC - W22

Frame	Flange Size	Bearing Size	C-Flange Kit	
			Catalog Number	List Price
143/5	FC-149	205	FLC-E140-UBC	\$85
182/4	FC-184	207	FLC-E180-UBC-W22	\$145
213/5	FC-184	308	FLC-E210-UBC	\$150
254/6	FC-184	309	FLC-E250-W22	\$195
284/6	FC-228	311	FLC-E280	\$290
324/5	FC-279	312	FLC-E320	\$440
364/5	FC-279	314	FLC-E360-314-W22	\$575
404/5	FC-279	314	FLC-E400-314	\$620
	FC-279	316	FLC-E400-316	\$620
444/5 445/7 447/9	FC-355	314	FLC-E440-314	\$830
	FC-355	319	FLC-E440-319	\$830
	FC-355	322	FLC-E440-322	\$830
L447/9	FC-355	314	FLC-EL440-314-W22	\$1,200
	FC-355	322	FLC-EL440-322-W22	\$1,200
504/5	FC-368	314	FLC-E500-314-W22	\$1,200
	FC-368	319	FLC-E500-319-W22	\$1,200
586/7	FC-368	322	FLC-E500-322-W22	\$1,200
	FC-368	314	FLC-E580-314	\$1,650
	FC-368	322	FLC-E580-322	\$1,650
	FC-368	324	FLC-E580-324	\$1,650

NEMA Frames - IEEE 841 - W22

Frame	Flange Size	Bearing Size	C-Flange Kit	
			Catalog Number	List Price
143/5	FC-149	205	FLC-IE140	\$250
182/4	FC-184	207	FLC-IE180-W22	\$285
213/5	FC-184	308	FLC-IE210	\$300
254/6	FC-184	309	FLC-IE250-W22	\$325
284/6	FC-228	311	FLC-IE280	\$365
324/5	FC-279	312	FLC-IE320	\$550
364/5	FC-279	314	FLC-E360-314-W22	\$575
404/5	FC-279	314	FLC-E400-314	\$620
	FC-279	316	FLC-E400-316	\$620
444/5 445/7 447/9	FC-355	314	FLC-E440-314	\$830
	FC-355	319	FLC-E440-319	\$830
	FC-355	322	FLC-E440-322	\$830
L447/9	FC-355	314	FLC-EL440-314-W22	\$1,200
	FC-355	322	FLC-EL440-322-W22	\$1,200
504/5	FC-368	314	FLC-E500-314-W22	\$1,200
	FC-368	319	FLC-E500-319-W22	\$1,200
586/7	FC-368	322	FLC-E500-322-W22	\$1,200
	FC-368	314	FLC-E580-314	\$1,650
	FC-368	322	FLC-E580-322	\$1,650
	FC-368	324	FLC-E580-324	\$1,650

NEMA Frames - New Rolled Steel Motors (-S Models) - TEFC

Frame	Flange Size	Bearing Size	C-Flange Kit	
			Catalog Number	List Price
143/5	FC-149	205	FLC-E140-S	\$85
182/4	FC-184	206	FLC-E180-S	\$145
213/5	FC-184	208	FLC-E210-S	\$150
254/6	FC-184	309	FLC-E250-S	\$195

NEMA Frames - Rolled Steel Motors - TEFC (RS Models)

Frame	Flange Size	Bearing Size	C-Flange Kit	
			Catalog Number	List Price
143/5	FC-149	205	FLC-ERS140-UBC*	\$85
182/4	FC-184	206	FLC-ERS180-UBC	\$145
W182/4	FC-184	206	FLC-ERSW180-UBC	\$145
213/5	FC-184	208	FLC-ERS210-UBC	\$150
254/6	FC-184	309	FLC-RS250	\$195
W254/6	FC-184	309	FLC-RSW250	\$195

* Model not good for motor mod. Replacement only.

C/C-DIN FLANGES FOR TOTALLY ENCLOSED MOTORS

NEMA Frames - Explosion Proof Motors - modifications must be performed by a UL Certified Service Center

Frame	Flange Size	Bearing Size	C-Flange Kit	
			Catalog Number	List Price
143/5	FC-149	205	FLC-X140	\$120
182/4	FC-184	307	FLC-X180	\$201
213/5	FC-184	308	FLC-X210	\$214
254/6	FC-184	309	FLC-X250	\$291
284/6	FC-228	311	FLC-X280	\$517
324/5	FC-279	312	FLC-X320	\$663
364/5	FC-279	314	FLC-X360-314	\$992
404/5	FC-279	314	FLC-X360-314	\$992
	FC-279	217	FLC-X400-217	\$1,210
444/5	FC-355	314	FLC-X440-314	\$1,508
445/7	FC-355	219	FLC-X440-219	\$1,508
447/9	FC-355	319	FLC-X440-319	\$1,508

Metric (IEC) Frames - General Purpose - TEFC

Frame	Flange Size	Bearing Size	C-DIN Flange Kit	
			Catalog Number	List Price
63	C-90	201	FLC-IM63DIN-AL	\$39
71	C-105	202	FLC-IM71DIN-BC-W22	\$43
	C-105	203	FLC-IM71DIN-AL-BC	\$43
80	C-120	204	FLC-IM80DIN-AL-BC	\$45
90	C-140	205	FLC-IM90DIN-AL-UBC	\$85
100	C-160	206	FLC-IM100DIN-AL-UBC	\$128
112	C-160	207	FLC-IM112DIN-UBC-W22	\$145
	C-160	307	FLC-IM112DIN-AL-UBC	\$145
132	C-200	308	FLC-IM132DIN-AL-UBC	\$150
160	C-250	309	FLC-IM160DIN-W22	\$195

Metric (IEC) Frames - Cast Iron - General Purpose - TEFC

Frame	Flange Size	Bearing Size	NEMA C-Flange Kit	
			Catalog Number	List Price
160	FC-184	309	FLC-IM160-W22	\$195
180	FC-228	311	FLC-IM180	\$290
200	FC-228	312	FLC-IM200	\$440
225	FC-279	314	FLC-E360-314-W22	\$575
250	FC-279	314	FLC-E400-314	\$620
280	FC-355	314	FLC-E440-314	\$830
	FC-355	316	FLC-IM280-316	\$830
	FC-368	314	FLC-E500-314-W22	\$1,030
315	FC-368	319	FLC-E500-319-W22	\$1,030
	FC-368	316	FLC-E580-316	\$1,650
355	FC-368	322	FLC-E580-322	\$1,650

Fractional Motors - TEFC

Frame	Flange Size	Bearing Size	C-Flange Kit	
			Catalog Number	List Price
A56 B56 D56 E56 F56 G56 F143/5 G143/5	FC-149	203	FLC-E56-203-FC149	\$85
	FC-149	204	FLC-E56-204-FC149	\$85
	FC-149	205	FLC-ERS140-UBC	\$85

Fractional Motors - New Rolled Steel (-S MODELS) - TEFC

Frame	Flange Size	Bearing Size	C-Flange Kit	
			Catalog Number	List Price
48 W56	FC-149	203	FLC-E48/W56-S	\$80
56 56H	FC-149	203	FLC-E56-203-FC149-S	\$85
	FC-149	204	FLC-E56-204-S	\$85
	FC-149	205	FLC-E140-S	\$85

C FLANGES FOR OPEN MOTORS

NEMA Frames - New Rolled Steel (-S Models) - ODP

Frame	Flange Size	Bearing Size	C-Flange Kit	
			Catalog Number	List Price
143/5	FC-149	205	FLC-0140-S	\$85
182/4	FC-184	206	FLC-0180-S	\$145
213/5	FC-184	208	FLC-0210-S	\$150
254/6	FC-184	309	FLC-0250-S	\$195

NEMA Frames - ODP

Frame	Flange Size	Bearing Size	C-Flange Kit	
			Catalog Number	List Price
143/5*	FC-149	205	FLC-0140-UBC	\$85
182/4*	FC-184	206	FLC-0180-UBC	\$145
213/5*	FC-184	208	FLC-0210-UBC	\$150
254/6	FC-184	309	FLC-0250	\$195
284/6	FC-228	311	FLC-0280	\$290
324/6	FC-279	312	FLC-0320	\$440
364/5	FC-279	314	FLC-0360-314	\$575
	FC-279	314	FLC-0360-314	\$575
404/5	FC-279	316	FLC-0400-316	\$620
	FC-355	314	FLC-0440-314	\$830
444/5	FC-355	319	FLC-0440-319	\$830
	FC-355	314	FLC-0440-314-W40	\$2,457
447/9	FC-355	319	FLC-0440-319-W40	\$2,457

*Legacy Models

Fractional Motors - New Rolled Steel (-S Models) - ODP

Frame	Flange Size	Bearing Size	C-Flange Kit	
			Catalog Number	List Price
48 W56	FC-149	203	FLC-048/W56-S	\$67
56 56H	FC-149	203	FLC-056-203-FC149-S	\$85
	FC-149	204	FLC-056-204-S	\$85
	FC-149	205	FLC-0140-S	\$85

Fractional Motors - ODP - (RS Models)

Frame	Flange Size	Bearing Size	C-Flange Kit	
			Catalog Number	List Price
48 56	FC-95	203	FLC-048-203-FC95	\$85
	FC-149	203	FLC-048-203-FC149	\$85
A56 B56 D56 E56 F56 G56	FC-149	204	FLC-056-204-FC149	\$85

D/F FLANGE KITS

NEMA Frames - Cast Iron - TEFC - W22

Frame	Flange Size	Bearing Size	D-Flange Kit	
			Catalog Number	List Price
143/5	FD-254	205	FLD-E140-UBC	\$98
182/4	FD-254	207	FLD-E180-W22	\$171
213/5	FD-254	308	FLD-E210-UBC	\$184
254/6	FD-317	309	FLD-E250-W22	\$244
284/6	FD-317	311	FLD-E280	\$318
324/5	FD-406	312	FLD-E320	\$465
364/5	FD-406	314	FLD-E360-314-W22	\$620
404/5	FD-508	314	FLD-E400-314	\$765
	FD-508	316	FLD-E400-316	\$765
444/5	FD-508	314	FLD-E440-314	\$932
445/7	FD-508	319	FLD-E440-319	\$932
447/9	FD-508	322	FLD-E440-322	\$932
L447/9	FD-508	314	FLD-EL440-314-W22	\$1,350
	FD-508	322	FLD-EL440-322-W22	\$1,350
504/5	FD-558	314	FLD-E500-314-W22	\$1,350
	FD-558	319	FLD-E500-319-W22	\$1,350
	FD-558	322	FLD-E500-322-W22	\$1,350
586/7	FD-762	314	FLD-E580-314	\$2,130
	FD-762	322	FLD-E580-322	\$2,130
	FD-762	324	FLD-E580-324	\$2,130

NEMA Frames - IEEE 841

Frame	Flange Size	Bearing Size	D-Flange Kit	
			Catalog Number	List Price
213/5	FD-254	308	FLD-IE210	\$350
254/6	FD-317	309	FLD-IE250-W22	\$425
284/6	FD-317	311	FLD-IE280	\$490
324/5	FD-406	312	FLD-IE320	\$785
364/5	FD-406	314	FLD-E360-314-W22	\$620
404/5	FD-508	314	FLD-E400-314	\$765
	FD-508	316	FLD-E400-316	\$765
444/5	FD-508	314	FLD-E440-314	\$932
445/7	FD-508	319	FLD-E440-319	\$932
447/9	FD-508	322	FLD-E440-322	\$932
L447/9	FD-508	314	FLD-EL440-314-W22	\$1,030
	FD-508	322	FLD-EL440-322-W22	\$1,030
504/5	FD-558	314	FLD-E500-314-W22	\$1,030
	FD-558	319	FLD-E500-319-W22	\$1,030
	FD-558	322	FLD-E500-322-W22	\$1,030
586/7	FD-762	314	FLD-E580-314	\$2,604
	FD-762	322	FLD-E580-322	\$2,604
	FD-762	324	FLD-E580-324	\$2,604

D/F FLANGE KITS, *continued*

NEMA Frames - Explosion Proof Motors - modifications must be performed by a UL Certified Service Center

Frame	Flange Size	Bearing Size	D-Flange Kit	
			Catalog Number	List Price
143/5	FD-254	205	FLD-X140	\$154
182/4	FD-254	307	FLD-X180	\$210
213/5	FD-254	308	FLD-X210	\$291
254/6	FD-317	309	FLD-X250	\$534
284/6	FD-317	311	FLD-X280	\$637
324/5	FD-406	312	FLD-X320	\$795
364/5	FD-406	314	FLD-X360-314	\$1,141
404/5	FD-508	314	FLD-X400-314	\$1,338
	FD-508	217	FLD-X400-217	\$1,338
444/5	FD-508	314	FLD-X440-314	\$1,878
445/7	FD-508	219	FLD-X440-219	\$1,878
447/9	FD-508	319	FLD-X440-319	\$1,878

Metric (IEC) Frames - Cast Iron - TEFC

Frame	Flange Size	Bearing Size	FF-Flange Kit	
			Catalog Number	List Price
63	FF-115	201	FLF-IM63-AL	\$63
71	FF-130	202	FLF-IM71-BC-W22	\$72
	FF-130	203	FLF-IM71-AL-BC	\$72
80	FF-165	204	FLF-IM80-AL-BC	\$96
90	FF-165	205	FLF-IM90-AL-UBC	\$98
100	FF-215	206	FLF-IM100-AL-UBC	\$169
112	FF-215	207	FLF-IM112-UBC-W22	\$171
	FF-215	307	FLF-IM112-AL-UBC	\$171
132	FF-265	308	FLF-IM132-AL-UBC	\$184
160	FF-300	309	FLF-IM160-W22	\$245
180	FF-300	311	FLF-IM180	\$318
200	FF-350	312	FLF-IM200	\$465
225	FF-400	314	FLF-IM225-W22	\$620
250	FF-500	314	FLF-IM250	\$765
280	FF-500	314	FLF-IM280-314	\$932
	FF-500	316	FLF-IM280-316	\$932
315	FF-600	314	FLF-IM315-314-W22	\$1,350
	FF-600	319	FLF-IM315-319-W22	\$1,350

D FLANGES FOR OPEN MOTORS

NEMA Frames - ODP

Frame	Flange Size	Bearing Size	D-Flange Kit	
			Catalog Number	List Price
143/5	FD-254	205	-	-
182/4	FD-254	206	-	-
213/5	FD-254	208	-	-
254/6	FD-317	309	FLD-0250*	\$220
284/6	FD-317	311	FLD-0280	\$318
324/6	FD-406	312	FLD-0320	\$465
364/5	FD-406	314	FLD-0360-314	\$620
404/5	FD-406	314	FLD-0360-314	\$620
	FD-508	314	FLD-0400-314	\$765
	FD-508	316	FLD-0400-316	\$765
444/5	FD-508	314	FLD-0440-314	\$932
	FD-508	319	FLD-0440-319	\$932
447/9	FD-508	314	FLD-0440-314-W40	\$3,900

* Only valid for Cast Iron frame

Drip Cover Kits for TEFC Motors

	Frame	W22	Rolled Steel (-S)	W21 (RS Motors)	Rolled Steel (RS Motors)	List Price
NEMA	48 W56	-	DRCV-E48/W56-S	-	-	45
	A56 B56 D56 E56 F56 G56 F143/5 G143/5c	-	DRCV-0140-S	-	DRCV-E56	53
	140T	DRCV-E140	-	DRCV-E140	-	\$89
		-	DRCV-0140-S	-	DRCV-E56	\$53
	180T	DRCV-E180	DRCV-E180-S	DRCV-E180	DRCV-E180	\$128
	210T	DRCV-E210	DRCV-E210-S	DRCV-E210	DRCV-E210	\$136
	250T	DRCV-E250-W22	DRCV-E250-S	DRCV-E250	not available	\$167
	280T	DRCV-E280-W22	-	DRCV-E280	-	\$220
	320T	DRCV-E320-W22	-	DRCV-E320	-	\$344
	360T	DRCV-E360-W22	-	DRCV-E360/400	-	\$393
	400T	-	-	DRCV-E360/400	-	\$393
		DRCV-E400-W22	-	-	-	\$479
	440T	DRCV-E440-W22	-	DRCV-E440/500	-	\$819
	500	-	-	DRCV-E440/500	-	\$819
		DRCV-EL440-W22	-	-	-	\$952
	L440T	DRCV-EL440-W22	-	-	-	\$952
580	DRCV-E580-W22	-	DRCV-E580	-	\$1,145	
METRIC	90	DRCV-E140	-	DRCV-E140	-	\$89
	100	DRCV-E100	-	DRCV-E100	-	\$89
	112	DRCV-E180	-	DRCV-E180	-	\$95
	132	DRCV-E210	-	DRCV-E210	-	\$131
	160	DRCV-E250-W22	-	DRCV-E250	-	\$152
	180	DRCV-E280-W22	-	DRCV-E280	-	\$220
	200	DRCV-E320-W22	-	DRCV-E320	-	\$344
	225	DRCV-E360-W22	-	DRCV-E360/400	-	\$393
	250	-	-	DRCV-E360/400	-	\$393
		DRCV-E400-W22	-	-	-	\$479
	280	DRCV-E440-W22	-	DRCV-E440/500	-	\$819
	315	-	-	DRCV-E440/500	-	\$819
		DRCV-EL440-W22	-	-	-	\$952
	355	DRCV-E580-W22	-	DRCV-E580	-	\$1,145

Drip Cover Kits for ODP Motors

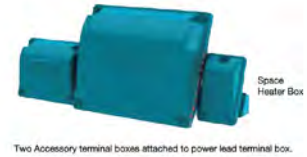
Frame	Catalog Number	List Price	Rolled Steel (-S) Model	List Price
48 W56	-	-	DRCV-E48/W56-S	\$45
C56 56 A56 B56 D56 E56 F56 G56	DRCV-OS48/56	\$23	DRCV-056-S	\$45
140T	DRCV-ODP140	\$105	DRCV-0140-S	\$53
180T	DRCV-ODP180	\$120	DRCV-0180-S	\$128
210T	DRCV-ODP210	\$131	DRCV-0210-S	\$136
250T	DRCV-ODP250	\$152	DRCV-0250-S	\$167
280T	DRCV-ODP280	\$220	-	-
320T	DRCV-ODP320	\$366	-	-
360T	DRCV-ODP360/400	\$410	-	-
400T	DRCV-ODP360/400	\$410	-	-
440T	DRCV-ODP440	\$613	-	-



W22 Terminal Box - American Standard NPT

IEC Frame Size	NEMA Frame Size	Holes	Part Number	List Price
90 100	143/5	NPT 3/4"	TBX-E140-W22	\$71
112 132	182/4 213/5	NPT 1"	TBX-E180/210-W22	\$99
160 180	254/6 284/6	NPT 1 1/2"	TBX-E250/280-W22	\$144
200	324/6	NPT 2"	TBX-E320-W22	\$214
225 250	364/5 404/5	NPT 3"	TBX-E360/400-3-W22	\$324
280	444/5	2 x NPT 3"	TBX-E440-3-W22	\$497
315S/M	445/7 447/9 504/5	2 x NPT 3"	TBX-E447/505-3-W22	\$768
315L 355M/L	L447/9 586/7	For cable Plate	TBX-EL447/9-586/7-W2	\$1,686
355A/B	588/9	-	Contact Parts	-

Auxiliary Terminal Boxes



For W22 only

Auxiliary Terminal Boxes are designed to be installed on the left side of the Main Terminal Box.

Frame	Auxiliary T-Box Model	List Price
140T	AUXTBOXF1W22-A	\$135
180T		
210T		
250T	AUXTBOXF1W22-B	\$171
280T		
320T		
360T	AUXTBOXF1W22-C AUXTBOXF2W22-C	\$270
400T		
440T		
L440T		
500		
580		

F1 and F2 on model number identifies the appropriate use for the auxiliary t-box.

If separated Auxiliary Terminal boxes are required for Thermal Sensors and Space Heaters, frames 360T and above offers a second Auxiliary Terminal Box just for the Space Heater. The Second Auxiliary Terminal Box for Space Heater is designed to be installed on the right side of the Main Terminal Box.

Frame	2nd Auxiliary T-Box Model	List Price
360T	AUXTBOXF1W22-D	\$270
400T		
440T		
L440T		
500		
580		

W22 Terminal Box Adaptor

IEC Frame Size	NEMA Frame Size	Part Number	List Price
225 250	364/5, 404/5	TBX-ADPT-360/400- W22	\$660
280	444/5	TBX-ADPT-444/5-W22	\$777
315S/M	445/7, 447/9, 504/5	TBX-ADPT-444/500- W22	\$921
315L	L447/9	TBX-ADPT-L440-W22	\$1,080
355	586/7 588/9	TBX-ADPT-580-W22	\$1,273



Rolled Steel (-S) Terminal Boxes

NEMA Frame Size	Thread size	Part Number	List
48 W56	NPT 1/2"	TBX-E48/W56	\$40
56 56H	NPT 1/2"	TBX-E56-S	\$40
143/5	NPT 3/4"	TBX-E140-S	\$62
182/4	NPT 3/4"	TBX-E180-S	\$73
213/5	NPT 1"	TBX-E210-S	\$108
254/6	NPT 1 1/4"	TBX-E250-S	\$154



Kit composition: Stator brake, Seal, Cube, Retaining ring, Key and Rotor brake.

W22 Brake Motor Kit

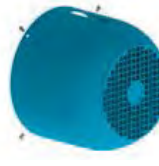
FRAME	SIZE	Nominal Braking torque	205 Vcc	
			Part Number	List Price
143/5	10	16 Nm	BRAKE-E140-W22	\$588
182/4	14	60 Nm	BRAKE-E180-W22	\$972
213/5	16	80 Nm	BRAKE-E210-W22	\$1,410
254/6	18	150 Nm	BRAKE-E250-W22	\$1,985
284/6	20	260 Nm	BRAKE-E280-W22	\$3,454
324/5	25	400 Nm	BRAKE-E320-W22	\$5,453



Braking Disk for W22 Brake Motor

Kit composition: Disc, Cub, Key and Retaining Ring.

FRAME	Part Number	List Price
143/5	BDK-BM140-W22	\$422
182/4	BDK-BM180-W22	\$643
213/5	BDK-BM210-W22	\$770
254/6	BDK-BM250-W22	\$934
284/6	BDK-BM280-W22	\$1,610
324/5	BDK-BM320-W22	\$2,814



Fan Cover for W22 Brake Motor

Kit composition: Fancover and Fixing bolts.

FRAME	Part Number	List Price
143/5	FCO-BM140-W22	\$185
182/4	FCO-BM180-W22	\$222
213/5	FCO-BM210-W22	\$222
254/6	FCO-BM250-W22	\$406
284/6	FCO-BM280-W22	\$406
324/5	FCO-BM320-W22	\$611



Kit composition: Bridge Rectifier and Bolts

Brake Handle for W22 Brake Motor

Brake Lever - W22 Manual Unlock

FRAME	Part Number	List Price
143/5	BRKHDL-BM140-W22	\$78
182/4	BRKHDL-BM180-W22	\$127
213/5	BRKHDL-BM210-W22	\$179
254/6	BRKHDL-BM250-W22	\$236
284/6	BRKHDL-BM280-W22	\$453
324/5	BRKHDL-BM320-W22	\$602



Kit composition: Terminal box, Fixing bolts, Rubber gaskets, Terminal box cover, Cover fixing bolts.

Rectifier for W22 Brake Motor

BRAKE RECTIFIER

Type	VOLTAGE	Part Number	List Price
BRIDGE RECTIFIER	220V	REC-BM220V	\$148
HALF BRIDGE RECTIFIER	360V	REC-BM440V	
	440V	REC-BM575V	
	575V	REC-BM575V	



Kit composition: Fancover and Fixing bolts.

Terminal Box for W22 Brake Motor

IEC Frame Size	NEMA Frame Size	H	Part Number	List Price
90 - 100	143/5	NPT	TBX-BM140-W22	\$135
112 - 132	182/4 - 213/5	NP	TBX-BM180/210-W22	\$177
160 - 180	254/6 - 284/6	NPT 1 1/2"	TBX-BM250/280-W22	\$191
200	324/6	NPT 2"	TBX-BM320-W22	\$238

* Stocked terminal boxes are RAL5009 Blue

Encoders

Motor requires Stub-shaft for installation of the encoder (exception to the TENV Vector Duty motors - page A-355)

WEG Catalog Number	MFG Catalog Number	MFG	Specification	List Price
ECHSD38-D	HSD38102484370	Dynapar	PPR:1024/ Bore size: 5/8" / Format: Differential Bi-Directional A/Anot,B/Bnot,Z/Znot/ Output: 5-26Vin, 5-26V differential line driver out (7272 chip set)/ Termination:10 pin MS connector/ Housing: aluminum, slotted tether with cover kit (basket). Optical	\$1,418
ECHS25A-A	HS25AY1CCE0DA000	Avtron	PPR:1024/ Bore size: 5/8" / Format: Differential Bi-Directional A/Anot,B/Bnot,Z/Znot/ Output: 5-28Vin, 5-28V differential line driver out (7272 chipset)/ Termination:10 pin MS connector/ Housing: aluminum, slotted tether. Optical	\$1,423
ECHS35R-D	HS35R10248277	Dynapar	PPR:1024/ Bore size: 5/8" / Format: Differential Bi-Directional A/Anot,B/Bnot,Z/Znot/ Output: 5-26Vin, 5-26V differential line driver out (7272 chip set)/ Termination:10 pin MS connector/ Housing: aluminum, slotted tether. Optical	\$1,418
ECHS35A-A	HS35AY1CCU0DA000	Avtron	PPR:1024/ Bore size: 5/8" / Format: Differential Bi-Directional A/Anot,B/Bnot,Z/Znot/ Output: 5-28Vin, 5-28V differential line driver out (7272 chipset)/ Termination:10 pin MS connector/ Housing: aluminum, slotted tether. Optical	\$1,590
ECHS35M-A	HS35MYX6CCU0DA00	Avtron	PPR:1024/ Bore size: 5/8" / Format: Differential Bi-Directional A/Anot,B/Bnot,Z/Znot/ Output: 5-24Vin, 5-24V differential line driver out (7272 chipset)/ Termination:10 pin connector/ Housing: aluminum, slotted tether. Magnetic	\$2,150

Different encoders may be available upon inquiry

Encoders TEBC Motors

Motor Frame	WEG Catalog Number	MFG Catalog Number	MFG	Specification	List Price
140T 180T	ECHSD38-D	HSD38102484370	Dynapar	PPR:1024/ Bore size: 5/8" / Format: Differential Bi-Directional A/Anot,B/Bnot,Z/Znot/ Output: 5-26Vin, 5-26V differential line driver out (7272 chip set)/ Termination:10 pin MS connector/ Housing: aluminum, slotted tether with cover kit (basket). Optical	\$1,418
	ECHS35R-D	HS35R10248377	Dynapar	PPR:1024/ Bore size: 5/8" / Format: Differential Bi-Directional A/Anot,B/Bnot,Z/Znot/ Output: 5-26Vin, 5-26V differential line driver out (7272 chip set)/ Termination:10 pin MS connector/ Housing: aluminum, slotted tether. Optical	\$1,418
210T 250T 280T 320T	ECHS35RTEBC-D	HS35R1024837X40	Dynapar	PPR:1024/ Bore size: 5/8" / Format: Differential Bi-Directional A/Anot,B/Bnot,Z/Znot/ Output: 5-26Vin, 5-26V differential line driver out (7272 chip set)/ Termination:10 pin connector W/ PIGTAIL. Housing: aluminum, slotted tether.	\$1,845
360T 400T 440T 500 580	ECHS35RTEBC-D	HS35R1024837X40	Dynapar	PPR:1024/ Bore size: 5/8" / Format: Differential Bi-Directional A/Anot,B/Bnot,Z/Znot/ Output: 5-26Vin, 5-26V differential line driver out (7272 chip set)/ Termination:10 pin connector W/ PIGTAIL. Housing: aluminum, slotted tether.	\$1,845
	ECHSD38-D	HSD38102484370	Dynapar	PPR:1024/ Bore size: 5/8" / Format: Differential Bi-Directional A/Anot,B/Bnot,Z/Znot/ Output: 5-26Vin, 5-26V differential line driver out (7272 chip set)/ Termination:10 pin MS connector/ Housing: aluminum, slotted tether with cover kit (basket). Optical	\$1,418
	ECHS35R-D	HS35R10248377	Dynapar	PPR:1024/ Bore size: 5/8" / Format: Differential Bi-Directional A/Anot,B/Bnot,Z/Znot/ Output: 5-26Vin, 5-26V differential line driver out (7272 chip set)/ Termination:10 pin MS connector/ Housing: aluminum, slotted tether. Optical	\$1,418

Stub Shafts

TEFC W22 Motors

WEC Catalog Number	Applicable to W22*:	Description	List Price
STUBSHAFT-A-TEFC	140T	M8X1.25 THREAD for use with 5/8" bore encoder	\$220
STUBSHAFT-B-TEFC	180T 210T 250T 280T 320T	M12X1.75 Thread for use with 5/8" bore encoder	\$240
STUBSHAFT-C-TEFC	360T 400T 440T 580	M20X2.5 Thread for use with 5/8" bore encoder	\$240
STUBSHAFT-D-TEFC	L440T 500		\$270

IMPORTANT: These stub shafts might not be compatible with W21 motors

*General Purpose NEMA Premium® W22 frames 284T and above have NDE shaft drilled and tapped to receive stub shaft. Any other will require the NDE shaft to be drilled and tapped

TENV Motors (Vector Duty)

Current design of Vector Duty motors do not require stub shaft for encoder installation. The motor is being supplied with dual flange and extended NDE shaft for this purpose (5/8" diameter)

TEBC Motors

WEC Catalog Number	Applicable to W22*:	Description	List Price
STUBSHAFT-A-TEFC	140T	M8X1.25 THREAD for use with 5/8" bore encoder	\$220
STUBSHAFT-B-TEFC	180T 210T 250T 280T 320T	M12X1.75 Thread for use with 5/8" bore encoder	\$240
STUBSHAFT-C-TEFC	360T 400T 440T L440T 500 580	M20X2.5 Thread for use with 5/8" bore encoder	\$240

Encoder Cables

WEC Catalog Number	Description	List Price
ENCCBLMS-10	10 FT. ENCODER CABLE WITH 10 PIN MS CONNECTOR	\$232
ENCCBLMS-20	20 FT. ENCODER CABLE WITH 10 PIN MS CONNECTOR	\$413
ENCCBLMS-30	30 FT. ENCODER CABLE WITH 10 PIN MS CONNECTOR	\$454
ENCCBLMS-50	50 FT. ENCODER CABLE WITH 10 PIN MS CONNECTOR	\$672



Competitor C-Box to WEG W22 Frame Adapter

The users report that during installation of new replacement motors, it is far easier to reuse the old junction box rather than break the box loose from the conduit. This becomes difficult however when going from one brand to another, as all manufacturers have a different bolt pattern and bolt size. This adaptor plate simplifies this process and makes it easier than ever before.

Part #	Description	List \$
WEG280-SIEM	ADAPTER PLATE WEG/Siemens 280T	\$181
WEG320-SIEM	ADAPTER PLATE WEG/Siemens 320T	\$202
WEG360-400-SIEM	ADAPTER PLATE WEG/Siemens 360T & 400T	\$224
WEG444/5-SIEM	ADAPTER PLATE WEG/Siemens 444/5T	\$228
WEG445/7-447/9-SIEM	ADAPTER PLATE WEG/Siemens 445/7T & 447/9TT	\$263
WEG180-USEM	ADAPTER PLATE WEG/USEM 180T	\$177
WEG250-280-USEM	ADAPTER PLATE WEG/USEM 250T & 280T	\$181
WEG320-USEM	ADAPTER PLATE WEG/USEM 320T	\$202
WEG360-400-USEM	ADAPTER PLATE WEG/USEM 360T & 400T	\$224
WEG445/7-447/9-USEM	ADAPTER PLATE WEG/USEM 445/7T & 447/9TT	\$263
WEG250-280-REL	ADAPTER PLATE WEG/Reliance 250T & 280T	\$181
WEG320-REL	ADAPTER PLATE WEG/Reliance 320T	\$202
WEG360-400-REL	ADAPTER PLATE WEG/Reliance 360T & 400T	\$224
WEG444/5-REL	ADAPTER PLATE WEG/Reliance 444/5T	\$228
WEG445/7-447/9-REL	ADAPTER PLATE WEG/USEM 445/7T & 447/9TT	\$263

Blower Kits for TEFC-to-TEBC Motor Conversion

Frame (NEMA/IEC)	W22 Blower Kit	List Price
140T/90	BLK-E140	\$1,149
180T/112	BLK-E180	\$1,260
210T/132	BLK-E210	\$1,452
250T/160	BLK-E250-W22	\$1,573
280T/180	BLK-E280	\$1,658
320T/200	BLK-E320	\$1,821
360T/225	BLK-E360-W22	\$2,038
400T/250	BLK-E400-W22	\$2,159
444/5T	BLK-E444/5-W22	\$2,561
445/7T 447/9T/280	BLK-E445/7-447/9-W22	\$2,561
500/315	BLK-EL449/500-W22	\$3,025
L440T/315L	BLK-EL449/500-W22	\$3,025
580/355	BLK-E580-W22	\$3,632

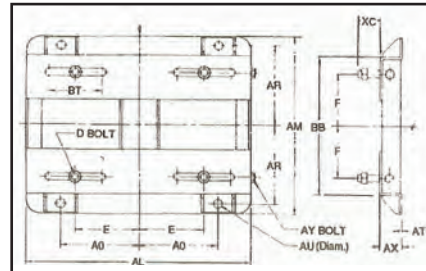
Insulated Bearing Housing Endshields

Catalog Number	Frame Series	Bearing Size	List Price
NDE-E360T-314-I-W22	360T	6314	\$2,150
NDE-E400T-314-I-W22	400T	6314	\$2,150
NDE-E440T-314-I-W22	440T	6314	\$2,592
NDE-E440T-316-I-W22	440T	6316	\$2,592
NDE-E440T-319-I-W22	440T	6319	\$2,592
NDE-EL440T-314-I-W22	L440	6314	\$3,220
NDE-EL440T-319-I-W22	L440	6319	\$3,220
NDE-E580-314-I-W22	580	6314	\$3,371
NDE-E580-319-I-W22	580	6319	\$3,371

Terminal Block Kits

IEC Frames	NEMA Frames*	Catalog Number	Bolt Thread	List Price
63	-	TERMBLCK-W22-63-100	M4	\$35
71	-			
80	-			
90	140T			
100	-			
112	180T	TERMBLCK-W22-112/132	M5	\$52
132	210T			
160	250T	TERMBLCK-W22-160/180	M6	\$86
180	280T			
200	320T	TERMBLCK-W22-200	M8	\$151
225	360T	TERMBLCK-W22-225/250	M10	\$280
250	400T			
280	440T	TERMBLCK-W22-280	M12	\$533
315	500	TERMBLCK-W22-315S/M	M12	\$533
315L	L440T	TERMBLCK-W22-355M/L	M16	\$1,032
355	580			

* NEMA Frames should require an adapter plate for the terminal block installation


Motor Sliding Bases

Frame	Catalog Number	Style	AR	AU	BT	Shipping Weight (approx)	List Price
143T	SMB-143T	A	3 3/8	3/8	3	5	\$73
145T	SMB-145T	A	3 7/8	3/8	3	6	\$73
182T	SMB-182T	A	4 1/4	1/2	3	9	\$87
182T	SMB-182TA2	A2	4 1/4	1/2	3	9	\$120
184T	SMB-184T	A	4 3/4	1/2	3	10	\$87
184T	SMB-184TA2	A2	4 3/4	1/2	3	10	\$120
213T	SMB-213T	A	4 3/4	1/2	3 1/2	14	\$118
215T	SMB-215T	A	5 1/2	1/2	3 1/2	15	\$118
254T	SMB-254T	B2	6 5/8	5/8	4	17	\$220
256T	SMB-256T	B2	7 1/2	5/8	4	18	\$220
284T	SMB-284T	B2	7 1/2	5/8	4 1/2	21	\$240
286T	SMB-286T	B2	8 1/4	5/8	4 1/2	22	\$240
324T	SMB-324T	B2	8 1/2	3/4	5 1/4	31	\$321
326T	SMB-326T	B2	9 1/4	3/4	5 1/4	32	\$321
364T	SMB-364T	B2	9 1/8	3/4	6	44	\$410
365T	SMB-365T	B2	9 5/8	3/4	6	45	\$410
404T	SMB-404T	B2	9 7/8	7/8	7	55	\$600
405T	SMB-405T	B2	10 5/8	7/8	7	61	\$600
444T	SMB-444T	B2	11	7/8	7 1/2	76	\$746
445T	SMB-445T	B2	12	7/8	7 1/2	78	\$746
447T	SMB-447T	B2	13 3/4	7/8	7 1/2	89	\$1,023
449T	SMB-449T	B2	16 1/4	7/8	7 1/2	95	\$1,023
504T	SMB-504	C	12 1/2	1		108	\$1,422
505T	SMB-505	C	13 1/2	1		135	\$1,422
586T	SMB-580	Pair of Slide Rails	13	4 3/8		183	\$3,504

W22 Plastic Fan Guide

For "S" Standard Efficiency Level

IEC FRAME SIZE	NEMA FRAME SIZE	POLE	Catalog Number	List Price
63	-	All	FAN-E63	\$6
71	-	All	FAN-E71	\$7
80	-	All	FAN-E80	\$8
90	143/5	All	FAN-FD56/140-17MM	\$12
100	-	All	FAN-E100	\$18
112	182/4	2	FAN-E180W2102P	\$12
		4/6/8	FAN-E180W2104P	\$19
132	213/5	2	FAN-E2102P	\$17
		4/6/8	FAN-E2104P	\$24
160	254/6	2	FAN-E2502P	\$12
		4/6/8	FAN-E2504P	\$24
180	284/6	2	FAN-E2802P	\$12
		4/6/8	FAN-E2804P	\$24
200	324/6	2	FAN-E3202P	\$18
		4/6/8	FAN-E3204P	\$27

For "P" High Efficiency Level

IEC FRAME SIZE	NEMA FRAME SIZE	POLE	Catalog Number	List Price
63	-	All	FAN-E63	\$6
71	-	All	FAN-E71	\$7
80	-	2	FAN-E71	\$7
		4/6/8	FAN-E80	\$8
90	143/5	2/4	FAN-E80	\$8
		6/8	FAN-FD56/140-17MM	\$12
100	-	All	FAN-E100	\$18
112	182/4	2/4	FAN-E180W2102P	\$12
		6/8	FAN-E180W2104P	\$19
132	213/5	2/4	FAN-E180W2102P	\$12
		6/8	FAN-E2104P	\$24
160	254/6	2	FAN-E2502P	\$12
		4/6/8	FAN-E2504P	\$24
180	284/6	2	FAN-E2802P	\$12
		4/6/8	FAN-E2804P	\$24
200	324/6	2	FAN-E3202P	\$18
		4/6/8	FAN-E3204P	\$27

continued on next page

W22 Plastic Fan Guide - *continued*
For "T" Nema Prem. Efficiency Level

IEC FRAME SIZE	NEMA FRAME SIZE	POLE	Catalog Number	List Price
63	-	All	FAN-E63	\$6
71	-	All	FAN-E71	\$7
80	-	2	FAN-E71	\$7
		4/6/8	FAN-E80	\$8
90	143/5	2/4	FAN-E80	\$8
		6/8	FAN-FD56/140-17MM	\$12
100	-	All	FAN-E100	\$18
112	182/4	2/4	FAN-E180W2102P	\$12
		6/8	FAN-E180W2104P	\$19
132	213/5	2/4	FAN-E180W2102P	\$12
		6/8	FAN-E2104P	\$24
160	254/6	2/4	FAN-E2502P	\$12
		6/8	FAN-E2504P	\$24
180	284/6	2/4	FAN-E2802P	\$12
		6/8	FAN-E2804P	\$24
200	324/6	2/4	FAN-E3202P	\$18
		6/8	FAN-E3204P	\$27

continued on next page

W22 Plastic Fan Guide - *continued*

For "S" and "P" Stand. And High Efficiency Level (360 frame and up)

IEC FRAME SIZE	NEMA FRAME SIZE	POLE	Catalog Number	List Price
225S/M	364/5	2	FAN-E360/4002P-W22	\$59
		4/6/8	FAN-11482642-W22	\$74
250S/M	404/5	2	FAN-E360/4002P-W22	\$59
		4/6/8	FAN-11482642-W22	\$74
280S/M	444/5 445/7 447/9	2	FAN-E444-505/2P-W22	\$63
		4/6/8	FAN-E440/500468P-W22	\$89
315S/M	504/5	2	FAN-11482679-W22	\$66
		4/6/8	FAN-E444-505/2P-W22	\$63
315L	-	2	FAN-11482679-W22	\$66
		4/6/8	N/A	
-	L447/9	2	FAN-11482679-W22	\$66
		4/6/8	N/A	
355M/L	586/7	2	FAN-11482679-W22	\$66
		4/6/8	N/A	
355A/B	588/9	All	N/A	

For "T" Nema Prem. Efficiency Level (360 and up)

IEC FRAME SIZE	NEMA FRAME SIZE	POLE	Catalog Number	List Price
225S/M	364/5	2	FAN-E360/4002P-W22	\$59
		4	FAN-E444-505/2P-W22	\$63
		6/8	FAN-11482642-W22	\$74
250S/M	404/5	2	FAN-E360/4002P-W22	\$59
		4	FAN-11482679-W22	\$66
		6/8	FAN-11482642-W22	\$74
280S/M	444/5 445/7 447/9	2	FAN-E444-505/2P-W22	\$63
		4	FAN-11482642-W22	\$74
		6/8	FAN-E440/500468P-W22	\$89
315S/M	504/5	2	FAN-E444-505/2P-W22	\$63
		4	FAN-11482642-W22	\$74
		6/8	FAN-E440/500468P-W22	\$89
315L	-	2	FAN-11482679-W22	\$66
		4	FAN-E440/500468P-W22	\$89
		6/8	N/A	
-	L447/9	2	FAN-11482679-W22	\$66
		4/6/8	N/A	
355M/L	586/7	2	FAN-11482679-W22	\$66
		4	FAN-E440/500468P-W22	\$89
		6/8	N/A	
355A/B	588/9	All	N/A	

W22 Aluminum Fan Guide
For "S" Standard Efficiency Level

IEC FRAME SIZE	NEMA FRAME SIZE	POLE	Catalog Number	List Price
63	-	All	FAN-E63-AL	\$55
71	-	All	FAN-E71-AL	\$70
80	-	All	FAN-E80-AL	\$88
90	143/5	All	FAN -E1404P-AL	\$116
100	-	All	FAN-E100-AL	\$161
112	182/4	2	FAN-E180W21024P-AL	\$112
		4/6/8	FAN-E1804P-AL-B	\$223
132	213/5	2	FAN-E210-2/8P-AL	\$147
		4/6/8	FAN-E210-4/6P-AL	\$313
160	254/6	2	FAN-E2502-4P-AL-W22	\$116
		4/6/8	FAN-E2504P-AL-B	\$259
180	284/6	2	FAN-E2802P-AL	\$112
		4/6/8	FAN-E2804P-AL-W22	\$161
200	324/6	2	FAN-E3202P-AL-W22	\$157
		4/6/8	FAN-E3204P-AL	\$421

For "P" High Efficiency Level

IEC FRAME SIZE	NEMA FRAME SIZE	POLE	Catalog Number	List Price
63	-	All	FAN-E63-AL	\$55
71	-	All	FAN-E71-AL	\$70
80	-	2	FAN-E71-AL	\$70
		4/6/8	FAN-E80-AL	\$88
90	143/5	2/4	FAN-E80-AL	\$88
		6/8	FAN-E1404P-AL	\$116
100	-	All	FAN-E100-AL	\$161
112	182/4	2/4	FAN-E180W21024P-AL	\$112
		6/8	FAN-E1804P-AL-B	\$223
132	213/5	2/4	FAN-E180W21024P-AL	\$112
		6/8	FAN-E210-4/6P-AL	\$313
160	254/6	2	FAN-E2502-4P-AL-W22	\$116
		4/6/8	FAN-E2504P-AL-B	\$259
180	284/6	2	FAN-E2802P-AL	\$112
		4/6/8	FAN-E2804P-AL-W22	\$161
200	324/6	2	FAN-E3202P-AL-W22	\$157
		4/6/8	FAN-E3204P-AL	\$421

continued on next page

W22 Aluminum Fan Guide

For "T" NEMA Premium® Efficiency Level

IEC FRAME SIZE	NEMA FRAME SIZE	POLE	Catalog Number	List Price
63	-	All	FAN-E63-AL	\$55
71	-	All	FAN-E71-AL	\$70
80	-	2	FAN-E71-AL	\$70
		4/6/8	FAN-E80-AL	\$88
90	143/5	2/4	FAN-E80-AL	\$88
		6/8	FAN-E1404P-AL	\$116
100	-	All	FAN-E100-AL	\$161
112	182/4	2/4	FAN-E180W21024P-AL	\$112
		6/8	FAN-E1804P-AL-B	\$223
132	213/5	2/4	FAN-E180W21024P-AL	\$112
		6/8	FAN-E210-4/6P-AL	\$313
160	254/6	2/4	FAN-E2502-4P-AL-W22	\$116
		6/8	FAN-E2504P-AL-B	\$259
180	284/6	2/4	FAN-E2802P-AL	\$112
		6/8	FAN-E2804P-AL-W22	\$161
200	324/6	2/4	FAN-E3202P-AL-W22	\$157
		6/8	FAN-E3204P-AL	\$421

For "S" and "P" Efficiency Level (Frame sizes 360 and up)

IEC FRAME SIZE	NEMA FRAME SIZE	POLE	Catalog Number	List Price
225S/M	364/5	2	FAN-E360-4002PAL-W22	\$205
		4/6/8	FAN-11101736-AL-W22	\$580
250S/M	404/5	2	FAN-E360-4002PAL-W22	\$205
		4/6/8	FAN-11101736-AL-W22	\$580
280S/M	444/5 445/7 447/9	2	FAN-11101737-AL-W22	\$250
		4/6/8	FAN-W22-11101738-AL	\$902
315S/M	504/5	2	FAN-W22-11101739-AL	\$280
		4/6/8	FAN-W22-11101738-AL	\$902
315L	-	2	FAN-W22-11101739-AL	\$280
		4/6/8	FAN-W22-11101744-AL	\$2,042
-	L447/9	2	FAN-W22-11101739-AL	\$280
		4/6/8	FAN-W22-11101744-AL	\$2,042
355M/L	586/7	2	FAN-W22-11101739-AL	\$280
		4	FAN-W22-11101744-AL	\$2,042
		6/8	FAN-11101746-AL-W22	\$3,293
355A/B	588/9	2	FAN-11272463-AL-W22	\$511
		4	FAN-W22-11101744-AL	\$2,042
		6/8	FAN-11101746-AL-W22	\$3,293

continued on next page

W22 Aluminum Fan Guide - *continued*

For "T" Nema Prem. Efficiency Level(Frame sizes 360 and up)

IEC FRAME SIZE	NEMA FRAME SIZE	POLE	Catalog Number	List Price
225S/M	364/5	2	FAN-E360-4002PAL-W22	\$205
		4	FAN-11101737-AL-W22	\$250
		6/8	FAN-11101736-AL-W22	\$580
250S/M	404/5	2	FAN-E360-4002PAL-W22	\$205
		4	FAN-W22-11101739-AL	\$280
		6/8	FAN-11101736-AL-W22	\$580
280S/M	444/5 445/7 447/9	2	FAN-11101737-AL-W22	\$250
		4	FAN-11101736-AL-W22	\$580
		6/8	FAN-W22-11101738-AL	\$902
315S/M	504/5	2	FAN-11101737-AL-W22	\$250
		4	FAN-11101736-AL-W22	\$580
		6/8	FAN-W22-11101738-AL	\$902
315L	-	2	FAN-W22-11101739-AL	\$280
		4	FAN-W22-11101738-AL	\$902
		6/8	FAN-W22-11101744-AL	\$2,042
-	L447/9	2	FAN-W22-11101739-AL	\$280
		4/6/8	FAN-W22-11101744-AL	\$2,042
355M/L	586/7	2	FAN-W22-11101739-AL	\$280
		4	FAN-W22-11101738-AL	\$902
		6/8	FAN-11101746-AL-W22	\$3,293
355A/B	588/9	2	FAN-11272463-AL-W22	\$511
		4	FAN-W22-11101744-AL	\$2,042
		6/8	FAN-11101746-AL-W22	\$3,457

W22 Fan Cover

IEC Frame Size	NEMA Frame Size	Note	Catalog Number	List Price
63	-		FCO-E63	\$23
71	-		FCO-E71	\$23
80	-		FCO-E80	\$23
90	143/5		FCO-E140	\$26
100	-		FCO-E100	\$33
112	182/4		FCO-E180	\$38
132	213/5		FCO-E210	\$53
160	254/6		FCO-E250-W22	\$121
180	284/6		FCO-E280-W22	\$149
200	324/6		FCO-E320-W22	\$256
225	364/5	For Motors with Grease Nipple	FCO-E360-W22	\$672
250	404/5		FCO-E400-W22	\$672
280	444/5 445/7 447/9		FCO-E440-W22	\$1,032
315	504/5		FCO-E500-W22	\$1,032
-	L447/9		FCO-EL440-W22	\$1,032
355	586/7 588/9		FCO-E580-W22	\$1,605

Parts & Modifications

Rolled Steel Fan (-S)

NEMA Frame Size	Pole	Part number	List Price
48 W56	All	FAN-E80	\$8
56 56H	All	FAN-FD56/140-15MM	\$12
143/5	All	FAN-FD56/140-15MM	\$12
182/4	2	FAN-FD56/140-15MM	\$12
	4/6	FAN-E100	\$18
213/5	2	FAN-E180W2102P	\$12
	4/6	FAN-E180W2104P	\$19
254/6	2	FAN-E2102P	\$17
	4/6	FAN-E2104P	\$24

Rolled Steel Fan Cover (-S)

NEMA Frame Size	Part number	List Price
48 W56	FCO-E48/W56-S	\$20
56 56H	FCO-E56/140-S	\$19
143/5	FCO-E56/140-S	\$19
182/4	FCO-E180-S	\$46
213/5	FCO-E210-S	\$49
254/6	FCO-E250-S	\$89

Electrical Data**SECTION B**

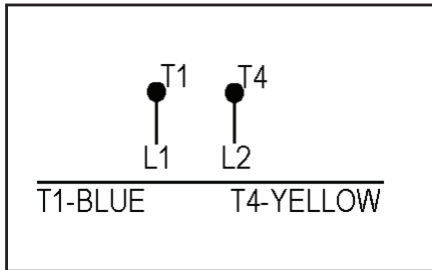
Single-Phase Wiring Diagrams	B-2
Single-Phase Wiring Diagrams	B-3
Three-Phase Wiring Diagrams	B-4
Single Phase - General Purpose - TEFC - Cast Iron	B-5
Single Phase - General Purpose - TEFC - Rolled Steel - Standard Efficiency	B-6
Single Phase - General Purpose - ODP - Rolled Steel - Standard Efficiency	B-9
Single Phase - General Purpose - ODP - Rolled Steel - Premium Efficiency	B-11
W22 - General Purpose - Three Phase - TEFC	B-12
Rolled Steel - General Purpose - Three Phase - TEFC	B-15
ODP Rolled Steel up to 254/6T Frame - Three Phase - General Purpose	B-16
Explosion Proof - Three Phase	B-19
Fractional - Three Phase - TEFC - NEMA Premium®	B-22
Fractional - Three Phase - TEFC - Standard Efficiency	B-23
Fractional - Three Phase - ODP - Premium Efficiency	B-24
Fractional - Three Phase - ODP - Standard Efficiency	B-25
Cooling Tower Motors - Three Phase	B-27
Close-Coupled Pump - JM - Three Phase - TEFC - Rolled Steel	B-32
Close-Coupled Pump - JM - Three Phase - TEFC - Cast Iron	B-33
Close-Coupled Pump - JP - Three Phase - TEFC - Rolled Steel	B-35
Close-Coupled Pump - JP - Three Phase - TEFC - Cast Iron	B-36
Close-Coupled Pump - JM - Three Phase - ODP - Rolled Steel	B-38
Close-Coupled Pump - JM - Three Phase - ODP - Cast Iron	B-39
Close-Coupled Pump - JP - Three Phase - ODP - Rolled Steel	B-40
Close-Coupled Pump - JP - Three Phase - ODP - Cast Iron	B-41
Metric Motors	B-42
Super Premium Efficiency Motors	B-48

Single-Phase Wiring Diagrams

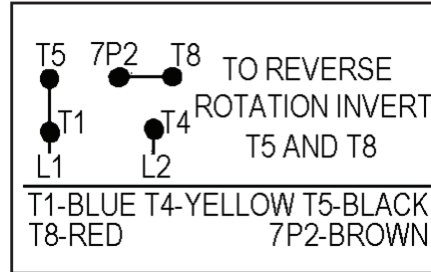
ALWAYS USE WIRING DIAGRAM SUPPLIED ON MOTOR NAMEPLATE

FOR MOTORS WITH THERMAL PROTECTION

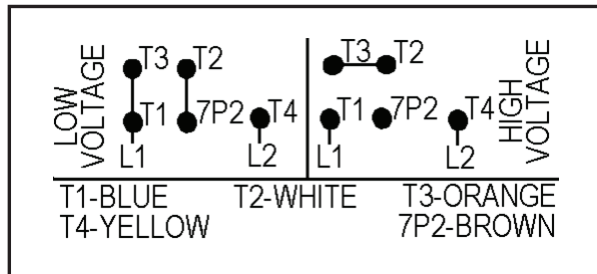
Single Voltage / Single Rotation



Single Voltage / Reversible Rotation

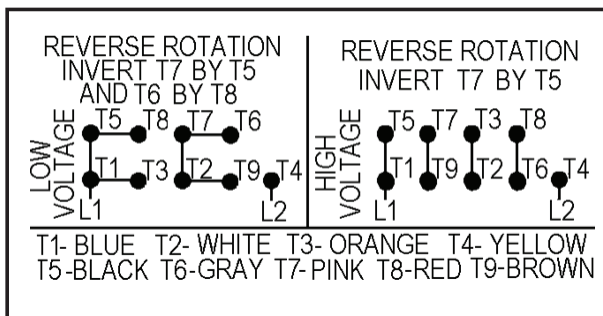


Dual Voltage / Single Rotation

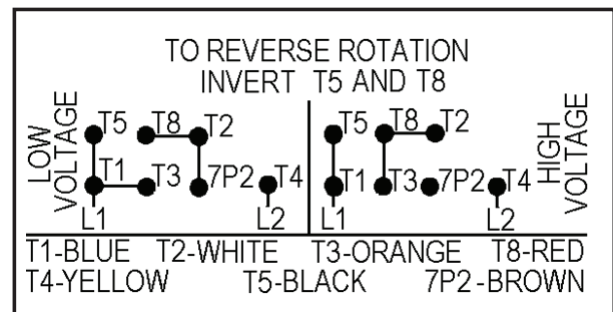


Dual Voltage / Reversible Rotation

Split-Phase Motor



Capacitor Motor

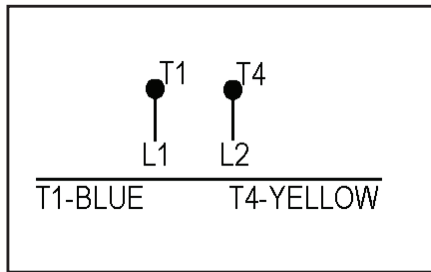


Single-Phase Wiring Diagrams

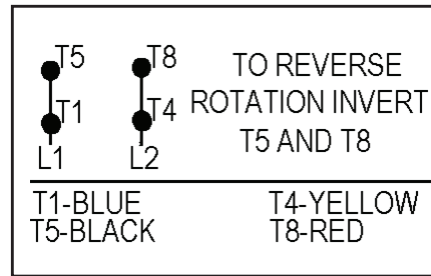
ALWAYS USE WIRING DIAGRAM SUPPLIED ON MOTOR NAMEPLATE

FOR MOTORS WITHOUT THERMAL PROTECTION

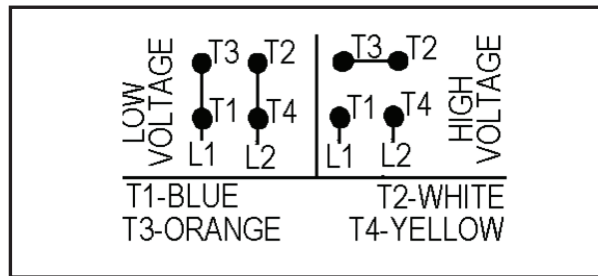
Single Voltage / Single Rotation



Single Voltage / Reversible Rotation

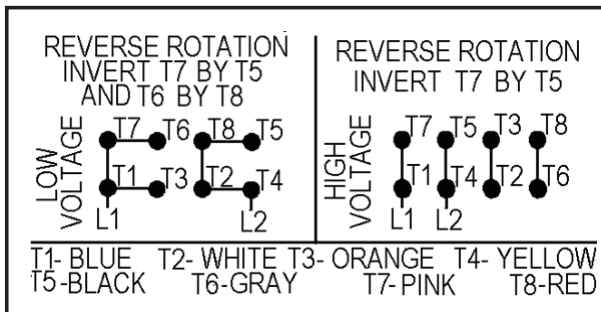


Dual Voltage / Single Rotation

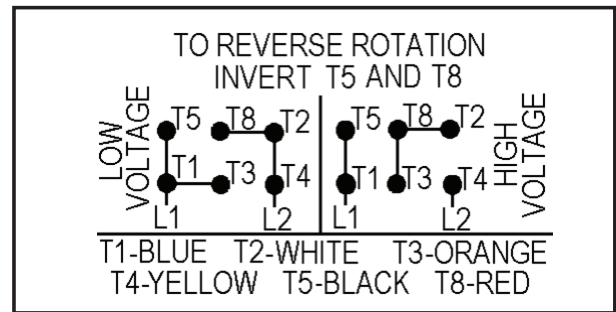


Dual Voltage / Reversible Rotation

Split-Phase Motor



Capacitor Motor



Three-Phase Wiring Diagrams

ALWAYS USE WIRING DIAGRAM SUPPLIED ON MOTOR NAMEPLATE

colored leads are only applicable on the NEW ROLLED STEEL motor lines

Three-Phase Wiring Diagrams

ALWAYS USE WIRING DIAGRAM SUPPLIED ON MOTOR NAMEPLATE

colored leads are only applicable on the NEW ROLLED STEEL motor lines

Description	Wiring Diagram
9 leads Valid for voltage Code: E Frames 56 and 143/5	<p>DOL</p>
9 leads Valid for voltage Code: E Frames 182/4 and 213/5 for E code (except Fire Pump motors)	<p>DOL</p>
12 leads Valid for voltage code: E Frames 254/6 and above Fire Pump Motors all frames Valid for voltage code: V All frames Motors are capable of WYE/Delta start (230v only) Motors are capable of part-winding start at the low voltage	<p>WYE - DELTA - LOW VOLTAGE</p> <p>WYE - DELTA - HIGH VOLTAGE</p>
12 leads Valid for voltage Code: G Frames 254/6 and above Motors are capable of WYE/Delta start Motors are capable of part-winding start	<p>WYE - DELTA</p> <p>PART-WINDING</p>
6 leads Valid for voltage Code: J, H, P, Q, W & Y All frames Q and H codes may have only 3 leads (≤ 1HP and all IEE models)	<p>WYE - DELTA</p> <p>WYE - DELTA (METRIC)</p>
3 leads Valid for voltage Code: Q and H codes All frames Q and H codes, non IEE-841 motors, can also have 6 leads	<p>DOL</p>

Single Phase - General Purpose - TEFC - Cast Iron

Output		Frame	Full Load Torque (ft.lb)	Locked Rotor Current		Locked Rotor Torque Tl/Tn	Break-down Torque Tb/Tn	Inertia J (lb-ft ²)	Allowable locked rotor time (s)		Weight (lb)	Sound dB(A)	Service Factor	460 V							Full load current In (A)
														Code	II/In	Rated speed (rpm)	% of full load			Full load current In (A)	
				Hot	Cold				Efficiency	Power Factor											
HP	kW													50	75	100	50	75	100		
1	0.75	143/5T	1.46	L	8.5	2.3	2.7	0.0527	7	15	0.0	69.0	1.15	3540	58.0	67.0	70.0	0.95	0.96	0.97	2.40
		143/5T	2.93	L	8.4	2.7	3.0	0.1303	7	15	0.0	58.0	1.15	1770	59.0	68.0	72.0	0.84	0.90	0.92	2.45
		143/5T	4.43	K	6.3	2.0	2.4	0.1561	15	33	0.0	58.0	1.00	1170	59.6	68.2	70.0	0.70	0.78	0.83	2.80
1.5	1.1	143/5T	2.21	J	7.3	2.3	2.4	0.0470	11	24	0.0	69.0	1.15	3520	67.0	72.0	74.0	0.91	0.94	0.95	3.40
		143/5T	4.42	J	8.0	2.6	2.4	0.1628	6	13	0.0	58.0	1.15	1760	65.0	73.0	77.0	0.99	0.99	0.99	3.13
		182/4T	6.56	M	8.2	2.5	3.2	0.5657	10	22	0.0	60.0	1.00	1185	58.4	67.3	72.0	0.62	0.72	0.78	4.25
2	1.5	143/5T	2.94	K	8.0	2.4	2.8	0.0527	7	15	0.0	69.0	1.15	3530	66.0	74.0	77.0	0.87	0.92	0.94	4.50
		143/5T	5.94	J	7.4	2.7	2.4	0.1497	8	18	0.0	58.0	1.15	1745	68.5	75.5	78.5	0.89	0.94	0.95	4.38
		182/4T	5.96	H	7.4	2.9	2.3	0.2957	8	18	0.0	60.0	1.15	1740	69.0	76.5	80.0	0.99	0.99	0.99	4.10
		182/4T	8.78	L	8.0	2.4	2.7	0.5223	14	31	0.0	60.0	1.00	1180	65.2	73.0	77.0	0.72	0.81	0.85	5.00
3	2.2	182/4T	4.42	H	7.7	2.5	2.6	0.1571	9	20	0.0	72.0	1.15	3520	80.0	83.0	84.0	0.97	0.98	0.98	5.80
		143/5T	4.42	H	7.2	2.2	2.4	0.0664	7	15	0.0	69.0	1.15	3515	72.5	76.0	78.5	0.96	0.97	0.97	6.25
		182/4T	8.91	H	7.5	2.9	2.6	0.3735	6	13	0.0	60.0	1.15	1745	71.0	78.0	80.0	0.99	0.99	0.99	6.00
		213/5T	13.3	J	7.5	2.1	2.1	1.28	5	11	0.0	63.0	1.00	1170	69.3	76.7	80.0	0.93	0.96	0.96	6.20
5	3.7	182/4T	7.37	G	7.1	2.8	2.5	0.2164	7	15	0.0	72.0	1.15	3515	80.0	84.0	85.5	0.96	0.99	0.99	9.50
		213/5T	14.8	H	6.7	3.3	2.6	0.7124	7	15	0.0	63.0	1.15	1745	72.5	78.5	80.0	0.91	0.95	0.96	10.5
		182/4T	15.0	G	6.5	2.8	2.6	0.4357	7	15	0.0	60.0	1.15	1730	72.5	78.5	80.0	0.93	0.95	0.96	10.5
		213/5T	22.0	J	8.4	2.5	2.5	1.98	14	31	0.0	63.0	1.00	1175	78.9	83.9	82.5	0.91	0.94	0.94	10.4
7.5	5.5	213/5T	11.1	P	7.2	2.8	2.9	0.5550	7	15	0.0	72.0	1.15	3510	81.5	85.5	86.5	0.99	0.99	0.99	29.8
		182/4T	11.1	H	7.5	2.8	2.6	0.2164	9	20	0.0	72.0	1.15	3505	79.0	83.5	85.5	0.99	0.99	0.99	14.1
		213/5T	22.2	H	7.0	3.3	2.7	1.09	7	15	0.0	63.0	1.15	1750	76.0	81.0	82.5	0.94	0.96	0.97	14.9
10	7.5	213/5T	14.7	N	7.0	2.3	2.9	0.5285	8	18	0.0	72.0	1.15	3515	82.0	85.5	86.5	0.99	0.99	0.99	38.8
		213/5T	29.8	G	6.7	2.6	2.5	1.15	13	29	0.0	63.0	1.15	1740	78.0	82.0	82.5	0.90	0.95	0.97	20.4
12.5	9.2	213/5T	18.5	G	7.3	2.1	2.8	0.6763	8	18	0.0	72.0	1.15	3510	86.0	88.0	88.5	0.98	0.98	0.98	23.0

Single Phase - General Purpose - TEFC - Rolled Steel - Standard Efficiency

Output		Frame	Full Load Torque (ft.lb)	Locked Rotor Current		Locked Rotor Torque Tl/Tn	Break-down Torque Tb/Tn	Inertia J (lb-ft ²)	Allowable locked rotor time (s)		Weight (lb)	Sound dB(A)	Service Factor	230 V							
				Code	I/In				Hot	Cold				Rated speed (rpm)	% of full load						Full load current In (A)
															Efficiency			Power Factor			
HP	kW													50	75	100	50	75	100		
0.12	0.09	W56	0.180	R	6.0	3.0	3.0	0.0126	18	40	15.4	66.0	1.15	3475	28.0	35.0	42.0	0.64	0.70	0.75	1.30
		48	0.180	R	6.0	3.0	3.0	0.0126	18	40	15.4	66.0	1.15	3475	28.0	35.0	42.0	0.64	0.70	0.75	1.30
		W56	0.360	P	4.8	3.2	3.0	0.0240	26	57	14.8	52.0	1.15	1740	37.0	45.0	51.0	0.41	0.48	0.55	1.45
		W56	0.360	P	4.8	3.2	3.0	0.0240	26	57	14.8	52.0	1.15	1740	37.0	45.0	51.0	0.41	0.48	0.55	1.45
		48	0.360	P	4.8	3.2	3.0	0.0240	26	57	14.8	52.0	1.15	1740	37.0	45.0	51.0	0.41	0.48	0.55	1.45
		48	0.360	P	4.8	3.2	3.0	0.0240	26	57	14.8	52.0	1.15	1740	37.0	45.0	51.0	0.41	0.48	0.55	1.45
0.16	0.12	W56	0.530	M	5.2	1.8	2.4	0.0318	20	44	16.5	52.0	1.15	1165	36.0	46.0	52.0	0.61	0.68	0.73	1.05
		48	0.530	M	5.2	1.8	2.4	0.0318	20	44	16.5	52.0	1.15	1165	36.0	46.0	52.0	0.61	0.68	0.73	1.05
		W56	0.240	P	6.0	3.0	3.0	0.0126	14	31	15.4	66.0	1.15	3480	30.0	38.0	44.0	0.60	0.67	0.73	1.60
		48	0.240	P	6.0	3.0	3.0	0.0126	14	31	15.4	66.0	1.15	3480	30.0	38.0	44.0	0.60	0.67	0.73	1.60
		W56	0.480	P	5.4	3.2	2.9	0.0280	16	35	15.7	52.0	1.15	1735	38.0	46.0	52.0	0.44	0.52	0.59	1.70
		48	0.480	P	5.4	3.2	2.9	0.0280	16	35	15.7	52.0	1.15	1735	38.0	46.0	52.0	0.44	0.52	0.59	1.70
0.25	0.18	W56	0.710	L	5.6	1.8	2.3	0.0358	20	44	17.6	52.0	1.15	1165	40.0	50.0	56.0	0.67	0.74	0.78	1.20
		48	0.710	L	5.6	1.8	2.3	0.0358	20	44	17.6	52.0	1.15	1165	40.0	50.0	56.0	0.67	0.74	0.78	1.20
		W56	0.370	P	6.6	2.9	3.0	0.0147	11	24	17.2	66.0	1.15	3485	35.0	44.0	50.0	0.60	0.68	0.74	2.10
		48	0.370	P	6.6	2.9	3.0	0.0147	11	24	17.2	66.0	1.15	3485	35.0	44.0	50.0	0.60	0.68	0.74	2.10
		W56	0.750	M	5.2	3.1	2.8	0.0318	15	33	16.5	52.0	1.15	1735	43.0	52.0	57.0	0.43	0.52	0.60	2.29
		W56	0.750	N	5.3	3.1	2.8	0.0318	15	33	16.5	52.0	1.15	1735	43.0	52.0	57.0	0.43	0.52	0.60	2.30
0.33	0.25	48	0.750	N	5.3	3.1	2.8	0.0318	15	33	16.5	52.0	1.15	1735	43.0	52.0	57.0	0.43	0.52	0.60	2.30
		W56	1.11	L	5.8	1.8	2.3	0.0479	18	40	20.7	52.0	1.15	1165	45.0	54.0	60.0	0.63	0.70	0.75	1.75
		48	1.11	L	5.8	1.8	2.3	0.0479	18	40	20.7	52.0	1.15	1165	45.0	54.0	60.0	0.63	0.70	0.75	1.75
		W56	0.490	P	7.0	2.9	2.9	0.0190	8	18	18.7	66.0	1.15	3490	42.0	50.0	54.0	0.61	0.69	0.76	2.60
		48	0.490	P	7.0	2.9	2.9	0.0190	8	18	18.7	66.0	1.15	3490	42.0	50.0	54.0	0.61	0.69	0.76	2.60
		W56	0.990	N	5.6	3.2	2.8	0.0399	12	26	18.3	52.0	1.15	1735	46.0	55.0	61.0	0.42	0.51	0.59	3.00
0.5	0.37	W56	0.990	N	5.6	3.2	2.8	0.0399	12	26	18.3	52.0	1.15	1735	46.0	55.0	61.0	0.42	0.51	0.59	3.00
		48	0.990	N	5.6	3.2	2.8	0.0399	12	26	18.3	52.0	1.15	1735	46.0	55.0	61.0	0.42	0.51	0.59	3.00
		56	1.46	M	6.5	2.4	2.7	0.0975	22	48	27.6	54.0	1.15	1170	48.0	58.0	63.0	0.61	0.69	0.74	2.30
		W56	0.740	P	8.0	2.9	3.0	0.0233	7	15	20.5	66.0	1.15	3500	50.0	58.0	60.0	0.59	0.69	0.76	3.50
		48	0.740	P	8.0	2.9	3.0	0.0233	7	15	20.5	66.0	1.15	3500	50.0	58.0	60.0	0.59	0.69	0.76	3.50
		W56	1.50	L	5.5	2.9	2.5	0.0479	10	22	20.7	52.0	1.15	1730	52.0	59.0	64.0	0.46	0.56	0.66	3.81
		W56	1.50	M	5.7	3.2	2.7	0.0479	10	22	20.7	52.0	1.15	1730	52.0	59.0	64.0	0.44	0.54	0.63	4.00
		W56	1.50	M	5.7	3.2	2.7	0.0479	10	22	20.7	52.0	1.15	1730	52.0	59.0	64.0	0.44	0.54	0.63	4.00
48	1.50	M	5.7	3.2	2.7	0.0479	10	22	20.7	52.0	1.15	1730	52.0	59.0	64.0	0.44	0.54	0.63	4.00		
48	1.50	M	5.7	3.2	2.7	0.0479	10	22	20.7	52.0	1.15	1730	52.0	59.0	64.0	0.44	0.54	0.63	4.00		
56	2.21	L	6.6	2.4	2.6	0.1241	18	40	30.9	54.0	1.15	1170	54.0	63.0	67.0	0.58	0.67	0.72	3.20		

continued on next page

Single Phase - General Purpose - TEFC - Rolled Steel - Standard Efficiency

Output		Frame	Full Load Torque (ft.lb)	Locked Rotor Current		Locked Rotor Torque Tl/Tn	Break-down Torque Tb/Tn	Inertia J (lb-ft ²)	Allowable locked rotor time (s)		Weight (lb)	Sound dB(A)	Service Factor	230 V							
														Rated speed (rpm)	% of full load						Full load current In (A)
															Efficiency			Power Factor			
															50	75	100	50	75	100	
HP	kW	Code	II/In	Hot	Cold																
0.75	0.55	56	1.11	L	8.0	2.8	2.9	0.0394	10	22	26.5	68.0	1.15	3500	52.0	62.0	66.0	0.81	0.87	0.91	4.00
		56	2.23	L	6.2	2.8	2.5	0.0778	10	22	28.7	54.0	1.15	1745	57.0	65.0	68.5	0.50	0.60	0.70	4.98
		56	2.23	M	6.4	3.0	2.7	0.0778	10	22	28.7	54.0	1.15	1745	57.0	65.0	68.5	0.47	0.58	0.67	5.30
		56	2.23	M	6.4	3.0	2.7	0.0778	10	22	28.7	54.0	1.15	1745	57.0	65.0	68.5	0.47	0.58	0.67	5.30
		56H	3.32	L	6.4	2.2	2.4	0.1597	15	33	35.3	54.0	1.15	1170	59.0	67.0	70.0	0.58	0.67	0.73	4.70
		143/5T	3.32	L	6.4	2.2	2.4	0.1597	15	33	35.3	---	1.15	1170	59.0	67.0	70.0	0.58	0.67	0.73	4.70
		56	3.32	L	6.4	2.2	2.4	0.1597	15	33	35.3	54.0	1.15	1170	59.0	67.0	70.0	0.58	0.67	0.73	4.70
1	0.75	56	1.48	L	8.4	2.8	2.8	0.0472	8	18	28.7	68.0	1.15	3500	55.0	64.0	70.0	0.82	0.88	0.92	5.10
		56	2.97	M	6.7	2.6	2.5	0.1037	8	18	33.1	54.0	1.15	1745	62.0	68.0	71.0	0.51	0.62	0.70	6.56
		56	2.97	M	6.7	2.8	2.7	0.1037	8	18	33.1	54.0	1.15	1745	62.0	68.0	71.0	0.48	0.60	0.68	6.80
		56	2.97	M	6.7	2.8	2.7	0.1037	8	18	33.1	54.0	1.15	1745	62.0	68.0	71.0	0.48	0.60	0.68	6.80
		143/5T	2.97	M	6.7	2.8	2.7	0.1037	8	18	33.1	54.0	1.15	1745	62.0	68.0	71.0	0.48	0.60	0.68	6.80
		143/5T	2.97	M	6.7	2.8	2.7	0.1037	8	18	33.1	54.0	1.15	1745	62.0	68.0	71.0	0.48	0.60	0.68	6.80
		56H	4.45	J	6.1	1.8	2.0	0.1951	13	29	43.0	54.0	1.15	1165	64.0	71.0	73.0	0.68	0.77	0.81	5.50
		143/5T	4.45	J	6.1	1.8	2.0	0.1951	13	29	43.0	---	1.15	1165	64.0	71.0	73.0	0.68	0.77	0.81	5.50
		56	4.45	J	6.1	1.8	2.0	0.1951	13	29	43.0	54.0	1.15	1165	64.0	71.0	73.0	0.68	0.77	0.81	5.50
1.5	1.1	56	2.22	K	8.0	2.4	2.5	0.0589	7	15	32.0	68.0	1.15	3500	66.0	73.0	75.0	0.92	0.95	0.97	6.60
		143/5T	2.22	K	8.0	2.4	2.5	0.0589	7	15	32.0	68.0	1.15	3500	66.0	73.0	75.0	0.92	0.95	0.97	6.60
		56H	4.45	L	8.0	2.3	2.5	0.1426	8	18	43.0	54.0	1.15	1745	69.0	75.0	77.0	0.70	0.80	0.84	7.39
		56H	4.45	L	8.0	2.3	2.5	0.1426	8	18	43.0	54.0	1.15	1745	69.0	75.0	77.0	0.70	0.80	0.84	7.39
		56H	4.45	L	8.0	2.5	2.7	0.1426	8	18	43.0	54.0	1.15	1745	69.0	75.0	77.0	0.68	0.78	0.83	7.48
		56H	4.45	L	8.0	2.5	2.7	0.1426	8	18	43.0	54.0	1.15	1745	69.0	75.0	77.0	0.68	0.78	0.83	7.48
		143/5T	4.45	L	8.0	2.5	2.7	0.1426	8	18	43.0	54.0	1.15	1745	69.0	75.0	77.0	0.68	0.78	0.83	7.48
		56	4.45	L	8.0	2.5	2.7	0.1426	8	18	43.0	54.0	1.15	1745	69.0	75.0	77.0	0.68	0.78	0.83	7.48
		56	4.45	L	8.0	2.5	2.7	0.1426	8	18	43.0	54.0	1.15	1745	69.0	75.0	77.0	0.68	0.78	0.83	7.48
		56	4.45	L	8.0	2.5	2.7	0.1426	8	18	43.0	54.0	1.15	1745	69.0	75.0	77.0	0.68	0.78	0.83	7.48
2	1.5	56H	2.96	J	7.8	2.2	2.5	0.0707	6	13	35.3	68.0	1.15	3495	70.0	75.0	77.0	0.94	0.97	0.97	8.73
		143/5T	2.96	K	7.8	2.2	2.5	0.0707	6	13	35.3	68.0	1.15	3495	70.0	75.0	77.0	0.89	0.93	0.95	8.92
		143/5T	2.96	J	7.8	2.2	2.5	0.0707	6	13	35.3	68.0	1.15	3495	70.0	75.0	77.0	0.94	0.97	0.97	8.73
		56	2.96	J	7.8	2.2	2.5	0.0707	6	13	35.3	68.0	1.15	3495	70.0	75.0	77.0	0.94	0.97	0.97	8.73
		56H	5.94	L	8.0	2.3	2.4	0.1614	6	13	46.3	54.0	1.15	1745	70.0	76.0	78.5	0.67	0.77	0.83	10.0
		56H	5.94	L	8.0	2.6	2.6	0.1614	6	13	46.3	54.0	1.15	1745	70.0	76.0	78.5	0.66	0.76	0.82	10.0
		56H	5.94	L	8.0	2.6	2.6	0.1614	6	13	46.3	54.0	1.15	1745	70.0	76.0	78.5	0.66	0.76	0.82	10.0
		143/5T	5.94	L	8.0	2.6	2.6	0.1614	6	13	46.3	54.0	1.15	1745	70.0	76.0	78.5	0.66	0.76	0.82	10.0
		143/5T	5.94	L	8.0	2.6	2.6	0.1614	6	13	46.3	54.0	1.15	1745	70.0	76.0	78.5	0.66	0.76	0.82	10.0
		56	5.94	L	8.0	2.6	2.6	0.1614	6	13	46.3	54.0	1.15	1745	70.0	76.0	78.5	0.66	0.76	0.82	10.0

continued on next page

Single Phase - General Purpose - TEFC - Rolled Steel - Standard Efficiency - *continued*

Output		Frame	Full Load Torque (ft.lb)	Locked Rotor Current		Locked Rotor Torque Tl/Tn	Break-down Torque Tb/Tn	Inertia J (lb-ft ²)	Allowable locked rotor time (s)		Weight (lb)	Sound dB(A)	Service Factor	230V								
														Rated speed (rpm)	% of full load						Full load current In (A)	
															Efficiency			Power Factor				
															50	75	100	50	75	100		
HP	kW	Code	ll/ln	Hot	Cold																	
3	2.2	56H	J	8.0	2.1	2.5	0.0945	6	13	45.2	68.0	1.15	3490	76.0	79.0	80.0	0.86	0.92	0.94	12.7		
		143/5T	J	8.0	2.1	2.5	0.0945	6	13	45.2	68.0	1.15	3490	76.0	79.0	80.0	0.86	0.92	0.94	12.7		
		56	J	8.0	2.1	2.5	0.0945	6	13	45.2	68.0	1.15	3490	76.0	79.0	80.0	0.86	0.92	0.94	12.7		
		182/4T	J	8.4	3.1	2.4	0.3709	12	26	83.8	59.0	1.15	1755	72.0	78.5	81.5	0.99	0.99	0.99	11.9		
7.5	5.5	213/5T	G	7.1	2.2	2.7	0.4862	6	13	130	75.0	1.15	3515	78.5	82.5	84.0	0.98	0.99	0.99	28.8		
		182/4T	G	7.2	2.6	3.0	0.2252	8	18	99.2	72.0	1.15	3500	80.0	84.0	85.5	0.99	0.99	0.99	28.3		
		213/5T	G	6.8	2.6	2.3	1.43	6	13	163	64.0	1.15	1745	78.5	82.5	84.0	0.99	0.99	0.99	28.8		
10	7.5	213/5T	H	7.2	2.5	2.9	0.4862	6	13	137	75.0	1.15	3510	81.5	85.5	86.5	0.99	0.99	0.99	38.1		
		213/5T	G	6.5	2.2	2.6	1.43	6	13	172	64.0	1.15	1745	81.5	85.5	86.5	0.99	0.99	0.99	38.1		
12.5	9.2	213/5T	H	7.4	2.5	3.1	0.5918	6	13	159	75.0	1.15	3510	84.0	86.5	87.5	0.98	0.98	0.98	46.6		
		213/5T*	H	7.5	2.5	3.1	1.96	6	13	212	64.0	1.15	1750	82.5	86.5	87.5	0.98	0.98	0.98	46.6		

Single Phase - General Purpose - ODP - Rolled Steel - Standard Efficiency

Output		Frame	Full Load Torque (ft.lb)	Locked Rotor Current		Locked Rotor Torque Tl/Tn	Break-down Torque Tb/Tn	Inertia J (lb-ft ²)	Allowable locked rotor time (s)		Weight (lb)	Sound dB(A)	Service Factor	230V							
														Rated speed (rpm)	% of full load						Full load current In (A)
															Efficiency			Power Factor			
HP	KW			Code	ll/in				Hot	Cold				50	75	100	50	75	100		
0.12	0.09	W56	0.180	R	6.4	3.0	3.0	0.0126	18	40	14.3	56.0	1.40	3500	32.0	40.0	44.0	0.60	0.67	0.72	1.24
		48	0.180	R	6.4	3.0	3.0	0.0126	18	40	14.3	56.0	1.40	3500	32.0	40.0	44.0	0.60	0.67	0.72	1.24
		W56	0.360	P	4.8	3.3	3.1	0.0240	26	57	13.7	50.0	1.40	1740	37.0	45.0	50.0	0.41	0.48	0.55	1.42
		48	0.360	P	4.8	3.3	3.1	0.0240	26	57	13.7	50.0	1.40	1740	37.0	45.0	50.0	0.41	0.48	0.55	1.42
0.16	0.12	W56	0.240	P	6.5	3.0	3.0	0.0126	14	31	14.3	56.0	1.35	3500	35.0	44.0	53.0	0.56	0.64	0.70	1.41
		48	0.240	P	6.5	3.0	3.0	0.0126	14	31	14.3	56.0	1.35	3500	35.0	44.0	53.0	0.56	0.64	0.70	1.41
		W56	0.480	P	5.5	3.2	3.0	0.0280	16	35	14.8	50.0	1.35	1740	41.0	49.0	53.0	0.42	0.50	0.57	1.73
		48	0.480	P	5.5	3.2	3.0	0.0280	16	35	14.8	50.0	1.35	1740	41.0	49.0	53.0	0.42	0.50	0.57	1.73
0.25	0.18	W56	0.370	P	7.2	3.0	3.0	0.0147	10	22	15.4	56.0	1.35	3500	43.0	50.0	55.0	0.55	0.64	0.71	2.00
		48	0.370	P	7.2	3.0	3.0	0.0147	10	22	15.4	56.0	1.35	3500	43.0	50.0	55.0	0.55	0.64	0.71	2.00
		W56	0.750	N	5.3	3.1	2.8	0.0318	14	31	15.4	50.0	1.35	1735	46.0	54.0	57.0	0.41	0.51	0.59	2.33
		48	0.750	N	5.3	3.1	2.8	0.0318	14	31	15.4	50.0	1.35	1735	46.0	54.0	57.0	0.41	0.51	0.59	2.33
0.33	0.25	W56	0.490	P	7.4	3.0	3.0	0.0190	8	18	16.1	56.0	1.35	3500	49.0	56.0	59.0	0.57	0.66	0.74	2.50
		48	0.490	P	7.4	3.0	3.0	0.0190	8	18	16.1	56.0	1.35	3500	49.0	56.0	59.0	0.57	0.66	0.74	2.50
		W56	0.990	N	5.6	3.3	2.8	0.0399	12	26	16.8	50.0	1.35	1735	49.0	57.0	60.0	0.41	0.50	0.58	3.12
		48	0.990	N	5.6	3.3	2.8	0.0399	12	26	16.8	50.0	1.35	1735	49.0	57.0	60.0	0.41	0.50	0.58	3.12
0.5	0.37	W56	0.740	P	8.2	2.8	3.0	0.0233	6	13	18.7	56.0	1.25	3500	54.0	61.0	65.0	0.55	0.66	0.74	3.34
		48	0.740	P	8.2	2.8	3.0	0.0233	6	13	18.7	56.0	1.25	3500	54.0	61.0	65.0	0.55	0.66	0.74	3.34
		W56	1.49	M	5.8	3.2	2.7	0.0479	10	22	18.7	50.0	1.25	1735	54.0	61.0	63.0	0.43	0.53	0.62	4.12
		48	1.49	M	5.8	3.2	2.7	0.0479	10	22	18.7	50.0	1.25	1735	54.0	61.0	63.0	0.43	0.53	0.62	4.12
0.75	0.55	W56	1.11	N	8.0	2.6	3.0	0.0273	6	13	20.9	56.0	1.25	3500	56.0	63.0	67.0	0.54	0.66	0.74	4.82
		48	1.11	N	8.0	2.6	3.0	0.0273	6	13	20.9	56.0	1.25	3500	56.0	63.0	67.0	0.54	0.66	0.74	4.82
		56	2.23	M	6.5	2.8	2.7	0.0778	10	22	26.5	52.0	1.25	1745	60.0	66.0	69.0	0.46	0.57	0.66	5.25
		56	2.23	M	6.5	2.8	2.7	0.0778	10	22	26.5	52.0	1.25	1745	60.0	66.0	69.0	0.46	0.57	0.66	5.25
1	0.75	56	1.48	M	6.9	2.6	2.8	0.0472	8	18	26.5	58.0	1.25	3500	60.0	65.0	68.0	0.55	0.67	0.75	6.39
		56	2.97	M	6.7	2.7	2.7	0.0973	7	15	30.9	52.0	1.15	1745	60.0	68.0	71.0	0.48	0.60	0.68	6.75
		143/5T	2.97	M	6.7	2.7	2.7	0.0973	7	15	30.9	52.0	1.15	1745	60.0	68.0	71.0	0.48	0.60	0.68	6.75
		56	2.22	L	7.3	2.5	2.7	0.0589	6	13	30.9	58.0	1.15	3500	65.0	70.0	72.0	0.57	0.69	0.77	8.60
1.5	1.1	143/5T	2.22	L	7.3	2.5	2.7	0.0589	6	13	30.9	58.0	1.15	3500	65.0	70.0	72.0	0.57	0.69	0.77	8.60
		56	4.45	M	6.9	2.7	2.7	0.1362	7	15	40.1	52.0	1.15	1745	66.0	72.0	73.0	0.48	0.60	0.69	9.49
		56H	4.45	M	6.9	2.7	2.7	0.1362	7	15	40.1	52.0	1.15	1745	66.0	72.0	73.0	0.48	0.60	0.69	9.49
		143/5T	4.45	M	6.9	2.7	2.7	0.1362	7	15	40.1	52.0	1.15	1745	66.0	72.0	73.0	0.48	0.60	0.69	9.49

continued on next page

Single Phase - General Purpose - ODP - Rolled Steel - Standard Efficiency - *continued*

Output		Frame	Full Load Torque (ft.lb)	Locked Rotor Current		Locked Rotor Torque Tl/Tn	Break-down Torque Tb/Tn	Inertia J (lb-ft ²)	Allowable locked rotor time (s)		Weight (lb)	Sound dB(A)	Service Factor	230 V							
				Code	II/In				Hot	Cold				Rated speed (rpm)	% of full load						Full load current In (A)
															Efficiency			Power Factor			
															50	75	100	50	75	100	
2	1.5	56H	2.97	L	7.8	2.5	2.6	0.0748	6	13	36.4	58.0	1.15	3490	69.0	72.0	75.0	0.60	0.72	0.80	10.9
		143/5T	2.97	L	7.8	2.5	2.6	0.0748	6	13	36.4	58.0	1.15	3490	69.0	72.0	75.0	0.60	0.72	0.80	10.9
		56	2.97	L	7.8	2.5	2.6	0.0748	6	13	36.4	58.0	1.15	3490	69.0	72.0	75.0	0.60	0.72	0.80	10.9
		56H	5.96	L	7.5	2.4	2.6	0.1550	6	13	42.3	52.0	1.15	1740	70.0	75.0	78.0	0.62	0.73	0.80	10.5
		143/5T	5.96	L	7.5	2.4	2.6	0.1550	6	13	42.3	52.0	1.15	1740	70.0	75.0	78.0	0.62	0.73	0.80	10.5
		56	5.96	L	7.5	2.4	2.6	0.1550	6	13	42.3	52.0	1.15	1740	70.0	75.0	78.0	0.62	0.73	0.80	10.5
3	2.2	56H	4.46	K	8.0	2.0	2.5	0.0864	6	13	41.2	58.0	1.15	3485	71.0	76.0	78.0	0.85	0.91	0.93	13.2
		143/5T	4.46	K	8.0	2.0	2.5	0.0864	6	13	41.2	58.0	1.15	3485	71.0	76.0	78.0	0.85	0.91	0.93	13.2
		56	4.46	K	8.0	2.0	2.5	0.0864	6	13	41.2	58.0	1.15	3485	71.0	76.0	78.0	0.85	0.91	0.93	13.2
		182/4T	8.86	H	7.1	2.8	2.5	0.2781	6	13	67.3	---	1.15	1755	69.8	77.1	80.0	0.83	0.90	0.93	12.7
5	3.7	182/4T	7.41	G	6.9	2.9	2.5	0.1559	6	13	71.7	---	1.15	3495	78.7	83.2	84.0	0.98	0.99	0.99	19.3
		182/4T	14.8	H	7.0	2.5	2.4	0.4172	6	13	88.2	---	1.15	1755	75.2	81.3	84.0	0.95	0.97	0.97	19.7
		213/5T	14.8	H	7.5	2.6	2.3	1.16	7	15	203	---	1.15	1755	78.6	83.9	85.5	0.98	0.99	0.99	18.9
7.5	5.5	213/5T	11.0	H	7.8	2.7	2.8	0.4651	6	13	110	---	1.15	3520	81.2	85.0	85.5	0.99	0.99	0.99	28.3
		182/4T	11.1	G	6.9	2.8	2.6	0.1991	6	13	83.8	---	1.15	3500	80.6	84.4	85.5	0.97	0.98	0.98	28.5
		213/5T	22.2	G	6.9	2.3	2.4	1.29	6	13	212	---	1.15	1750	83.1	85.0	85.5	0.95	0.96	0.97	28.6
10	7.5	213/5T	14.8	G	6.8	2.3	2.7	0.4440	6	13	112	---	1.15	3500	82.4	85.9	86.5	0.99	0.99	0.99	38.1
		213/5T	29.7	G	6.6	2.2	2.4	1.34	6	13	216	---	1.15	1745	83.2	86.3	86.5	0.97	0.98	0.98	38.5
12.5	9.2	213/5T	18.4	H	7.9	2.4	3.3	0.6341	6	13	161	---	1.15	3520	84.7	87.8	88.5	0.99	0.99	0.99	45.7
		213/5T	37.1	G	7.0	2.3	2.9	1.65	6	13	246	---	1.15	1745	84.2	87.3	87.5	0.97	0.98	0.98	46.4
15	11	213/5T	22.0	J	8.7	2.5	4.1	0.7188	6	13	183	---	1.15	3530	85.0	88.0	88.5	0.89	0.93	0.95	56.9

Single Phase - General Purpose - ODP - Rolled Steel - Premium Efficiency

Output		Frame	Full Load Torque (ft.lb)	Locked Rotor Current		Locked Rotor Torque Tl/Tn	Break-down Torque Tb/Tn	Inertia J (lb-ft ²)	Allowable locked rotor time (s)		Weight (lb)	Sound dB(A)	Service Factor	230 V							
				Code	II/In				Hot	Cold				Rated speed (rpm)	% of full load			Full load current In (A)			
															Efficiency				Power Factor		
HP	kW													50	75	100	50	75	100		
0.25	0.18	W56	0.370	M	8.8	2.8	3.1	0.0211	18	40	17.2	56.0	1.35	3510	50.0	59.0	66.6	0.91	0.93	0.94	1.25
		48	0.370	M	8.8	2.8	3.1	0.0211	18	40	17.2	56.0	1.35	3510	50.0	59.0	66.6	0.91	0.93	0.94	1.25
		W56	0.740	M	7.5	2.9	3.0	0.0358	20	44	16.5	50.0	1.35	1745	53.0	62.0	68.5	0.56	0.65	0.71	1.60
		48	0.740	M	7.5	2.9	3.0	0.0358	20	44	16.5	50.0	1.35	1745	53.0	62.0	68.5	0.56	0.65	0.71	1.60
0.33	0.25	W56	0.490	L	8.8	2.8	3.0	0.0254	15	33	19.4	56.0	1.35	3510	56.0	64.0	70.5	0.97	0.97	0.97	1.60
		48	0.490	L	8.8	2.8	3.0	0.0254	15	33	19.4	56.0	1.35	3510	56.0	64.0	70.5	0.97	0.97	0.97	1.60
		W56	0.980	N	8.0	3.2	3.2	0.0439	17	37	17.6	50.0	1.35	1745	57.0	66.0	72.4	0.57	0.67	0.73	2.10
		48	0.980	N	8.0	3.2	3.2	0.0439	17	37	17.6	50.0	1.35	1745	57.0	66.0	72.4	0.57	0.67	0.73	2.10
0.5	0.37	W56	0.740	L	8.8	2.7	3.0	0.0254	9	20	19.4	56.0	1.25	3510	60.0	68.0	72.4	0.90	0.93	0.94	2.40
		48	0.740	L	8.8	2.7	3.0	0.0254	9	20	19.4	56.0	1.25	3510	60.0	68.0	72.4	0.90	0.93	0.94	2.40
		W56	1.48	L	7.7	3.1	3.0	0.0520	15	33	19.8	50.0	1.25	1745	63.0	71.0	76.2	0.60	0.70	0.77	2.75
		48	1.48	L	7.7	3.1	3.0	0.0520	15	33	19.8	50.0	1.25	1745	63.0	71.0	76.2	0.60	0.70	0.77	2.75
0.75	0.55	56	1.11	K	8.6	3.0	3.0	0.0434	18	40	25.4	58.0	1.25	3510	64.0	71.0	76.2	0.88	0.92	0.93	3.40
		56	2.22	K	8.0	2.6	2.5	0.0973	20	44	30.9	52.0	1.25	1750	74.0	79.0	81.8	0.74	0.82	0.86	3.40
1	0.75	56	1.48	K	8.4	2.9	3.0	0.0551	16	35	29.8	58.0	1.25	3510	69.0	76.0	80.4	0.89	0.93	0.94	4.30
		56	2.96	K	8.4	2.6	2.5	0.1232	15	33	36.4	52.0	1.15	1750	75.0	80.0	82.6	0.75	0.83	0.87	4.50
		143/5T	2.96	K	8.4	2.6	2.5	0.1232	15	33	36.4	52.0	1.15	1750	75.0	80.0	82.6	0.75	0.83	0.87	4.50
		56H	2.96	K	8.4	2.6	2.5	0.1232	15	33	36.4	52.0	1.15	1750	75.0	80.0	82.6	0.75	0.83	0.87	4.50
1.5	1.1	56	2.22	J	7.7	2.6	2.7	0.0629	10	22	32.0	58.0	1.15	3500	73.0	79.0	81.5	0.88	0.89	0.89	6.65
		143/5T	2.22	J	7.7	2.6	2.7	0.0629	10	22	32.0	58.0	1.15	3500	73.0	79.0	81.5	0.88	0.89	0.89	6.65
		56H	4.45	K	8.0	2.6	2.5	0.1362	22	48	40.1	52.0	1.15	1745	76.0	81.0	83.8	0.72	0.81	0.84	6.80
		143/5T	4.45	K	8.0	2.6	2.5	0.1362	22	48	40.1	52.0	1.15	1745	76.0	81.0	83.8	0.72	0.81	0.84	6.80
		56	4.45	K	8.0	2.6	2.5	0.1362	22	48	40.1	52.0	1.15	1745	76.0	81.0	83.8	0.72	0.81	0.84	6.80
2	1.5	56	2.96	K	8.6	2.5	2.8	0.0748	8	18	36.4	58.0	1.15	3500	76.0	81.0	82.9	0.90	0.94	0.94	8.40
		56H	2.96	K	8.6	2.5	2.8	0.0748	8	18	36.4	58.0	1.15	3500	76.0	81.0	82.9	0.90	0.94	0.94	8.40
		143/5T	2.96	K	8.6	2.5	2.8	0.0748	8	18	36.4	58.0	1.15	3500	76.0	81.0	82.9	0.90	0.94	0.94	8.40
		56H	5.96	K	7.6	2.6	2.5	0.1614	18	40	45.2	52.0	1.15	1740	77.0	82.0	84.5	0.68	0.78	0.83	9.30
		143/5T	5.96	K	7.6	2.6	2.5	0.1614	18	40	45.2	52.0	1.15	1740	77.0	82.0	84.5	0.68	0.78	0.83	9.30
		56	5.96	K	7.6	2.6	2.5	0.1614	18	40	45.2	52.0	1.15	1740	77.0	82.0	84.5	0.68	0.78	0.83	9.30
3	2.2	56H	4.44	J	8.2	2.2	2.8	0.0945	6	13	42.3	58.0	1.15	3500	76.0	81.0	84.1	0.87	0.92	0.93	12.2
		143/5T	4.44	J	8.2	2.2	2.8	0.0945	6	13	42.3	58.0	1.15	3500	76.0	81.0	84.1	0.87	0.92	0.93	12.2
		56	4.44	J	8.2	2.2	2.8	0.0945	6	13	42.3	58.0	1.15	3500	76.0	81.0	84.1	0.87	0.92	0.93	12.2

W22 - General Purpose - Three Phase - TEFC

Output		Frame	Full Load Torque (ft.lb)	Locked Rotor Current		Locked Rotor Torque Tl/Tn	Break-down Torque Td/Tn	Inertia J (lb-ft ²)	Allowable locked rotor time (s)		Weight (lb)	Sound dB(A)	Service Factor	460 V									
				HP	kW				Code	I/In				Hot	Cold	Rated speed (rpm)	% of full load						Full load current In (A)
																	Efficiency			Power Factor			
																	50	75	100	50	75	100	
1	0.75	143/5T	1.49	L	8.2	2.8	3.4	0.0332	22	48	36.4	68.0	1.25	3480	75.0	79.0	81.5	0.63	0.74	0.80	1.44		
		143/5T	2.94	L	8.4	3.2	3.5	0.1172	18	40	40.8	51.0	1.25	1760	80.0	84.0	85.5	0.55	0.68	0.75	1.47		
		143/5T	4.51	K	6.2	2.6	3.0	0.1595	28	62	52.9	49.0	1.25	1150	77.0	82.0	82.5	0.45	0.57	0.66	1.73		
		182/4T	5.92	M	6.0	3.0	3.5	0.3991	22	48	94.8	50.0	1.25	875	74.0	77.0	78.5	0.32	0.42	0.52	2.30		
1.5	1.1	143/5T	2.23	L	8.9	3.5	3.8	0.0470	21	46	40.8	68.0	1.25	3490	81.5	84.0	84.0	0.70	0.80	0.84	1.96		
		143/5T	4.43	L	8.4	2.5	3.4	0.1431	14	31	48.5	51.0	1.25	1755	82.5	85.5	86.5	0.60	0.70	0.79	2.02		
		182/4T	6.64	M	7.8	3.2	4.0	0.4879	16	35	70.3	52.0	1.25	1170	84.0	86.5	87.5	0.45	0.54	0.62	2.54		
		182/4T	9.04	J	5.5	2.5	2.6	0.5766	17	37	111	50.0	1.25	860	80.0	82.5	82.5	0.43	0.54	0.62	2.70		
2	1.5	143/5T	2.98	L	8.9	3.5	3.8	0.0605	17	37	51.8	68.0	1.25	3475	82.5	85.5	85.5	0.71	0.80	0.86	2.56		
		143/5T	5.92	K	8.0	2.7	3.2	0.1561	11	24	50.7	51.0	1.25	1750	85.5	86.5	86.5	0.57	0.70	0.79	2.76		
		182/4T	8.86	L	7.5	3.0	3.5	0.6210	31	68	87.5	52.0	1.25	1170	86.5	87.5	88.5	0.46	0.58	0.66	3.22		
		213/5T	11.8	M	7.6	2.4	2.9	1.79	39	86	149	52.0	1.25	875	82.5	84.0	85.5	0.45	0.55	0.65	3.39		
3	2.2	182/4T	4.42	K	8.6	2.5	3.8	0.1889	41	90	88.2	69.0	1.25	3515	82.5	86.5	86.5	0.75	0.84	0.88	3.63		
		182/4T	8.83	K	8.1	2.3	3.4	0.3401	23	51	90.4	56.0	1.25	1760	87.5	88.5	89.5	0.61	0.73	0.79	3.91		
		213/5T	13.2	K	7.0	2.0	2.8	1.20	58	128	121	55.0	1.25	1175	86.5	88.5	89.5	0.50	0.63	0.70	4.41		
		213/5T	17.9	K	6.8	2.3	2.8	2.11	44	97	176	52.0	1.25	870	84.0	85.5	85.5	0.50	0.63	0.71	4.55		
5	3.7	182/4T	7.40	J	7.6	2.3	3.5	0.2233	25	55	88.2	69.0	1.25	3500	86.5	88.5	88.5	0.76	0.85	0.89	5.90		
		182/4T	14.8	J	7.5	2.3	3.2	0.4003	15	33	94.8	56.0	1.25	1755	88.5	89.5	89.5	0.62	0.74	0.80	6.45		
		213/5T	22.1	J	6.8	1.7	2.6	1.47	57	125	162	55.0	1.25	1170	88.5	89.5	89.5	0.58	0.70	0.76	6.83		
		254/6T	29.4	H	5.3	1.9	2.5	3.41	44	97	258	54.0	1.25	880	85.5	87.5	87.5	0.49	0.62	0.70	7.58		
7.5	5.5	213/5T	11.0	H	7.2	2.1	3.0	0.4665	27	59	139	72.0	1.25	3520	87.5	89.5	89.5	0.75	0.84	0.88	8.76		
		213/5T	22.0	H	7.1	2.2	3.1	1.34	20	44	154	58.0	1.25	1765	89.5	91.0	91.7	0.66	0.76	0.82	9.18		
		254/6T	33.1	H	6.8	2.5	3.0	3.92	30	66	262	59.0	1.25	1175	89.5	90.2	91.0	0.63	0.74	0.80	9.48		
		254/6T	44.2	G	5.3	2.0	2.5	4.43	33	73	284	54.0	1.25	880	85.5	87.5	87.5	0.50	0.63	0.71	11.1		
10	7.5	213/5T	14.7	H	7.2	2.2	2.9	0.6362	24	53	163	72.0	1.25	3520	89.5	90.2	90.2	0.79	0.87	0.90	11.6		
		213/5T	29.4	H	6.4	2.0	3.0	1.51	17	37	172	58.0	1.25	1765	91.0	91.7	91.7	0.66	0.77	0.83	12.4		
		254/6T	44.1	H	6.5	2.3	2.8	4.43	26	57	289	59.0	1.25	1175	90.2	91.0	91.0	0.63	0.74	0.78	13.3		
		284/6T	58.9	G	5.6	2.0	2.4	7.20	32	70	373	54.0	1.25	880	89.5	90.2	90.2	0.61	0.72	0.78	13.4		
15	11	254/6T	22.0	G	6.7	2.2	2.7	1.26	25	55	236	72.0	1.25	3530	89.5	91.0	91.0	0.77	0.85	0.88	17.2		
		254/6T	44.0	G	6.4	2.3	2.7	2.62	17	37	251	64.0	1.25	1765	91.0	91.7	92.4	0.68	0.78	0.83	18.0		
		284/6T	66.1	G	6.4	2.3	2.7	7.85	20	44	379	59.0	1.25	1175	91.0	91.7	91.7	0.69	0.80	0.84	17.9		
		284/6T	88.3	G	5.5	2.0	2.3	8.18	25	55	417	54.0	1.25	880	85.5	90.0	90.2	0.62	0.72	0.78	19.6		
20	15	254/6T	29.4	G	6.1	2.0	2.4	1.54	21	46	269	72.0	1.25	3520	91.0	91.7	91.0	0.82	0.87	0.89	23.2		
		254/6T	58.7	H	6.9	2.3	2.7	3.10	15	33	291	64.0	1.25	1765	91.7	92.4	93.0	0.68	0.79	0.84	24.1		
		284/6T	88.2	G	6.2	2.3	2.6	9.16	16	35	426	59.0	1.25	1175	91.0	91.7	91.7	0.70	0.80	0.85	24.2		
		324T	118	G	5.0	1.9	2.2	9.37	27	59	452	56.0	1.25	880	89.5	91.0	91.0	0.54	0.66	0.73	28.3		
		324/6T	118	G	5.0	1.9	2.2	9.37	27	59	452	56.0	1.25	880	89.5	91.0	91.0	0.54	0.66	0.73	28.3		
25	18.5	284/6TS	36.6	G	6.3	2.0	2.5	2.69	17	37	362	72.0	1.25	3535	91.0	91.7	91.7	0.82	0.87	0.89	28.5		
		284/6T	73.4	G	6.2	2.4	2.7	5.11	24	53	388	64.0	1.25	1765	92.4	93.0	93.6	0.70	0.80	0.84	29.5		
		324/6T	110	G	6.2	2.1	2.6	11.5	26	57	560	62.0	1.25	1180	91.7	93.0	93.0	0.65	0.77	0.82	30.4		
		324/6T	147	G	5.2	2.0	2.3	11.9	23	51	509	56.0	1.25	880	89.5	91.0	91.0	0.51	0.64	0.71	35.9		

continued on next page

W22 - General Purpose - Three Phase - TEFC - continued

Output		Frame	Full Load Torque (ft.lb)	Locked Rotor Current		Locked Rotor Torque Tl/Tn	Break-down Torque Tb/Tn	Inertia J (lb-ft ²)	Allowable locked rotor time (s)		Weight (lb)	Sound dB(A)	Service Factor	460 V							Full load current In (A)
				Code	II/In				Hot	Cold				Rated speed (rpm)	% of full load						
															Efficiency			Power Factor			
															50	75	100	50	75	100	
30	22	284/6TS	44.0	G	6.3	2.0	2.5	3.37	15	33	392	72.0	1.25	3535	91.7	91.7	91.7	0.82	0.87	0.89	33.8
		284/6T	88.1	G	6.1	2.4	2.4	5.85	20	44	437	64.0	1.25	1765	93.0	93.0	93.6	0.70	0.80	0.84	35.1
		324/6T	132	G	6.2	2.3	2.6	13.2	21	46	628	62.0	1.25	1180	91.7	93.0	93.0	0.65	0.76	0.82	36.2
		364/5T	177	G	6.2	1.7	2.4	23.5	20	44	803	60.0	1.25	880	92.4	92.4	92.4	0.63	0.74	0.80	37.0
40	30	324/6TS	58.3	G	6.3	2.3	2.4	4.90	22	48	547	78.0	1.25	3555	91.7	92.4	92.4	0.82	0.87	0.89	45.8
		324/6T	117	G	6.1	2.2	2.4	9.16	20	44	492	66.0	1.25	1775	93.6	94.1	94.1	0.72	0.80	0.85	47.1
		364/5T	175	G	6.4	2.0	2.4	29.0	21	46	833	66.0	1.25	1185	93.6	93.6	94.1	0.73	0.82	0.86	46.5
		364/5T	235	H	6.7	1.7	2.3	29.0	18	40	875	60.0	1.25	880	92.4	93.0	92.4	0.66	0.76	0.81	50.3
50	37	324/6TS	73.0	F	6.2	2.2	2.3	5.75	23	51	584	78.0	1.25	3550	93.0	93.0	93.0	0.83	0.87	0.89	56.1
		324/6T	146	G	6.2	2.3	2.7	9.16	15	33	536	66.0	1.25	1775	93.0	94.1	94.5	0.66	0.77	0.83	59.2
		364/5T	220	G	6.4	2.0	2.4	32.4	18	40	869	66.0	1.25	1180	93.6	94.1	94.1	0.74	0.83	0.86	57.4
		404/5T	294	H	6.8	1.7	2.6	34.6	15	33	1012	60.0	1.25	880	93.0	93.0	93.0	0.68	0.78	0.83	60.0
60	45	364/5TS	87.3	G	6.6	2.0	2.6	10.6	14	31	825	79.0	1.25	3560	91.7	93.0	93.6	0.81	0.88	0.90	67.0
		364/5T	175	G	6.6	2.4	2.6	22.4	15	33	869	67.0	1.25	1775	94.1	94.5	95.0	0.75	0.83	0.87	68.3
		404/5T	262	H	7.1	2.0	2.3	36.9	20	44	1036	68.0	1.25	1185	94.1	94.5	94.5	0.74	0.82	0.86	69.5
		404/5T	353	H	6.5	1.8	2.7	40.2	13	29	1111	60.0	1.25	880	93.0	93.0	93.0	0.68	0.78	0.83	73.0
75	55	364/5TS	109	G	6.7	2.0	2.6	11.9	10	22	847	79.0	1.25	3555	92.4	93.6	93.6	0.83	0.88	0.90	81.9
		364/5T	219	G	6.4	2.4	2.6	23.3	14	31	919	67.0	1.25	1775	94.5	95.0	95.4	0.73	0.82	0.86	84.1
		404/5T	329	G	6.4	2.0	2.3	40.2	17	37	1089	68.0	1.25	1180	94.1	94.5	94.5	0.74	0.83	0.86	84.9
		444/5T	437	G	6.0	1.8	2.1	73.6	18	40	1444	63.0	1.25	890	93.0	93.6	93.6	0.64	0.74	0.79	93.0
100	75	404/5TS	146	G	6.5	2.0	2.4	13.2	14	31	1045	79.0	1.25	3545	93.0	94.1	94.1	0.85	0.90	0.91	110
		404/5T	292	H	7.3	2.4	2.6	29.9	13	29	1140	68.0	1.25	1775	95.0	95.0	95.4	0.77	0.84	0.88	111
		444/5T	437	G	6.2	2.2	2.6	87.3	20	44	1577	69.0	1.25	1185	94.5	95.0	95.0	0.68	0.78	0.82	121
		444/5T	582	G	6.0	1.9	2.2	87.3	15	33	1599	63.0	1.25	890	93.6	94.1	94.1	0.63	0.74	0.79	127
125	90	444/5TS	181	G	6.6	2.0	2.5	33.5	29	64	1599	81.0	1.15	3570	93.6	94.5	95.0	0.82	0.87	0.89	134
		444/5T	364	G	6.5	2.0	2.3	57.2	27	59	1590	73.0	1.15	1780	95.0	95.4	95.4	0.74	0.82	0.85	139
		444/5T	547	G	6.4	2.1	2.4	104	19	42	1751	69.0	1.15	1185	95.0	95.4	95.0	0.70	0.79	0.83	143
		445/7T	728	G	6.0	1.8	2.1	104	17	37	1887	63.0	1.15	890	94.5	94.5	94.5	0.64	0.74	0.79	151
150	110	444/5TS	218	G	6.5	1.8	2.4	39.1	22	48	1709	81.0	1.15	3570	94.1	95.0	95.0	0.83	0.88	0.89	163
		444/5T	437	G	6.6	2.0	2.5	66.7	27	59	1676	73.0	1.15	1780	95.4	95.8	95.8	0.74	0.82	0.85	170
		445/7T	656	G	6.2	2.4	2.6	134	20	44	2042	69.0	1.15	1185	95.0	95.4	95.8	0.67	0.78	0.82	176
		445/7T	873	G	6.0	1.9	2.1	125	15	33	2042	63.0	1.15	890	94.5	94.5	94.5	0.64	0.74	0.79	185
200	150	445/7TS	290	G	6.5	2.1	2.3	44.7	14	31	1914	81.0	1.15	3570	95.0	95.4	95.4	0.86	0.89	0.90	219
		445/7T	580	G	6.8	2.3	2.5	76.2	16	35	2095	73.0	1.15	1785	95.8	96.2	96.2	0.73	0.82	0.85	230
		447/9T	871	G	6.6	2.3	2.4	145	15	33	2247	70.0	1.15	1190	95.0	95.4	95.8	0.68	0.79	0.83	237
		586/7T	1158	G	6.3	1.4	2.1	350	40	88	3334	75.0	1.15	895	95.0	95.4	95.4	0.65	0.75	0.80	247
250	185	447/9TS	363	F	6.5	2.0	2.2	50.3	18	40	2159	81.0	1.15	3565	95.4	95.8	95.8	0.87	0.90	0.91	266
		447/9T	728	G	6.5	2.3	2.4	89.6	15	33	2079	75.0	1.15	1780	95.8	96.2	96.2	0.75	0.83	0.86	281
		447/9T	1093	G	6.1	2.4	2.4	145	12	26	2538	70.0	1.15	1185	95.0	95.4	95.8	0.68	0.79	0.83	292
		586/7T	1447	G	6.2	1.4	2.1	395	40	88	3649	75.0	1.15	895	95.4	95.8	95.8	0.66	0.76	0.81	299

continued on next page

W22 - General Purpose - Three Phase - TEFC - continued

Output		Frame	Full Load Torque (ft.lb)	Locked Rotor Current		Locked Rotor Torque Tl/Tn	Break-down Torque Td/Tn	Inertia J (lb-ft ²)	Allowable locked rotor time (s)		Weight (lb)	Sound dB(A)	Service Factor	460 V						Full load current In (A)	
														Rated speed (rpm)	% of full load						
															Efficiency			Power Factor			
															50	75	100	50	75		100
HP	kW	Code	II/In	Hot	Cold																
300	220	447/9TS	435	G	6.8	2.1	2.4	58.1	14	31	2545	81.0	1.15	3570	95.4	95.8	95.8	0.86	0.89	0.90	320
		447/9T	873	G	6.5	2.3	2.3	89.6	16	35	2381	75.0	1.15	1780	95.8	96.2	96.2	0.77	0.84	0.87	330
		447/9T	1306	J	7.7	2.7	3.0	145	10	22	2613	70.0	1.15	1190	95.4	95.8	95.8	0.63	0.75	0.81	356
		586/7T	1737	H	6.7	1.5	2.2	451	40	88	4035	75.0	1.15	895	95.4	95.8	95.8	0.66	0.77	0.81	356
350	260	586/7TS	507	G	6.6	1.6	2.3	136	28	62	3621	84.0	1.15	3580	95.4	96.2	96.2	0.86	0.90	0.91	373
		447/9T	1019	G	6.4	2.5	2.4	118	14	31	2675	75.0	1.15	1780	95.8	96.2	96.2	0.77	0.84	0.86	394
		586/7T	1524	G	6.0	2.0	2.1	328	29	64	3784	77.0	1.15	1190	95.4	95.8	95.8	0.67	0.77	0.81	421
		586/7T	2026	G	6.4	1.6	2.3	484	34	75	4309	75.0	1.00	895	95.4	95.8	95.8	0.64	0.75	0.80	426
400	300	586/7TS	579	G	6.8	1.8	2.2	122	48	106	3749	84.0	1.15	3580	95.8	96.2	96.2	0.88	0.90	0.91	430
		586/7T	1158	G	6.3	2.0	2.2	179	19	42	3455	78.0	1.15	1790	95.8	96.2	96.2	0.78	0.85	0.86	455
		586/7T	1741	G	6.0	2.2	2.1	368	29	64	4115	77.0	1.15	1190	95.4	95.8	96.2	0.67	0.77	0.81	483
		588/9T	2315	H	6.7	1.5	2.4	537	25	55	4851	75.0	1.00	895	95.0	95.6	95.7	0.62	0.73	0.79	498
450	330	586/7TS	651	F	6.6	2.0	2.3	132	34	75	3918	84.0	1.15	3580	95.8	96.2	96.2	0.88	0.90	0.91	473
		586/7T	1302	G	6.4	2.2	2.1	213	16	35	3640	78.0	1.15	1790	95.8	96.2	96.2	0.78	0.83	0.85	507
		586/7T	1959	G	6.1	2.1	2.1	368	25	55	4384	77.0	1.00	1190	95.8	96.2	96.2	0.67	0.77	0.81	532
		588/9T	2605	G	6.6	1.6	2.3	617	27	59	5281	75.0	1.00	895	95.2	95.7	95.8	0.65	0.75	0.81	534
500	370	586/7TS	724	G	6.8	2.2	2.4	143	39	86	4086	84.0	1.15	3580	95.8	96.2	96.2	0.88	0.90	0.91	530
		586/7T	1447	G	6.5	2.2	2.3	256	16	35	3912	78.0	1.00	1790	95.8	96.2	96.2	0.80	0.85	0.87	555
		586/7T	2177	G	6.0	2.2	2.1	368	25	55	4403	77.0	1.00	1190	95.8	96.2	96.2	0.66	0.76	0.80	603
550	400	588/9TS	795	G	7.4	2.3	2.7	155	33	73	4410	89.0	1.00	3585	96.0	96.5	96.5	0.84	0.89	0.90	578
		586/7T	1592	G	7.1	2.2	2.5	236	16	35	4335	78.0	1.00	1790	96.2	96.4	96.5	0.74	0.82	0.86	605
		588/9T	2395	G	6.5	2.2	2.3	389	30	66	4734	77.0	1.00	1190	95.2	96.0	96.1	0.63	0.74	0.79	661
600	440	588/9TS	867	H	7.4	2.3	2.7	155	33	73	4410	89.0	1.00	3585	96.0	96.5	96.5	0.84	0.89	0.90	650
		586/7T	1737	G	7.1	2.3	2.5	236	16	35	4335	78.0	1.00	1790	96.2	96.4	96.5	0.74	0.82	0.86	665
		588/9T	2612	H	6.5	2.2	2.3	449	31	68	5173	77.0	1.00	1190	95.4	96.1	96.2	0.63	0.74	0.79	743
650	480	588/9TS	939	G	7.1	2.0	2.4	176	56	123	4635	89.0	1.00	3585	96.1	96.6	96.6	0.86	0.90	0.91	685
		588/9T	1881	H	7.4	2.5	2.7	301	22	48	4395	81.0	1.00	1790	96.0	96.5	96.6	0.71	0.81	0.85	734
700	515.2	588/9TS	1012	G	7.2	2.3	2.5	183	34	75	4805	89.0	1.00	3585	96.2	96.6	96.6	0.86	0.90	0.91	736
		588/9T	2026	G	6.5	2.5	2.2	335	23	51	4584	81.0	1.00	1790	96.2	96.5	96.6	0.76	0.81	0.85	788
750	550	588/9T	2171	G	7.0	2.4	2.5	347	29	64	4952	81.0	1.00	1790	96.3	96.6	96.7	0.70	0.80	0.85	840

Rolled Steel - General Purpose - Three Phase - TEFC

Output		Frame	Full Load Torque (ft.lb)	Locked Rotor Current		Locked Rotor Torque Tl/Tn	Break-down Torque Tb/Tn	Inertia J (lb-ft ²)	Allowable locked rotor time (s)		Weight (lb)	Sound dB(A)	Service Factor	460 V							
														Rated speed (rpm)	% of full load						Full load current In (A)
															Efficiency			Power Factor			
HP	KW			Code	ll/in				Hot	Cold					50	75	100	50	75	100	
1	0.75	143/5T	1.48	K	7.8	2.0	3.0	0.0643	22	48	26.2	68.0	1.15	3510	72.0	77.0	78.5	0.65	0.76	0.83	1.44
		143/5T	2.94	M	8.6	2.8	3.0	0.1232	19	42	37.9	52.0	1.15	1765	82.5	84.0	85.5	0.52	0.66	0.75	1.47
		143/5T	4.52	J	5.8	2.3	2.8	0.1597	31	68	38.6	49.0	1.15	1145	80.0	82.5	82.5	0.50	0.63	0.72	1.58
1.5	1.1	143/5T	2.21	L	9.1	2.3	3.0	0.1023	17	37	34.2	68.0	1.15	3520	80.0	82.5	84.0	0.71	0.82	0.88	1.87
		143/5T	4.44	K	8.2	2.7	3.0	0.1101	21	46	37.9	52.0	1.15	1750	85.5	86.5	86.5	0.59	0.72	0.79	2.02
		182/4T	6.64	K	6.9	2.4	3.4	0.2800	55	121	65.9	52.0	1.15	1170	84.0	86.5	87.5	0.50	0.63	0.71	2.22
2	1.5	143/5T	2.94	L	9.9	2.5	3.0	0.1279	13	29	40.1	68.0	1.15	3520	82.5	85.5	85.5	0.73	0.83	0.89	2.47
		143/5T	5.94	K	8.2	2.7	3.0	0.1296	15	33	42.3	52.0	1.15	1745	85.5	87.5	86.5	0.60	0.73	0.80	2.72
		182/4T	8.86	K	7.5	2.6	3.7	0.3424	44	97	76.1	52.0	1.15	1170	84.0	86.5	88.5	0.50	0.62	0.71	3.00
3	2.2	182/4T	4.42	K	8.8	2.2	3.0	0.1564	22	48	63.5	68.0	1.15	3515	84.0	86.5	86.5	0.71	0.82	0.87	3.67
		182/4T	8.81	K	8.8	2.2	3.0	0.4017	18	40	80.3	56.0	1.15	1765	87.5	88.5	89.5	0.61	0.74	0.81	3.81
		213/5T	13.2	H	6.4	2.3	2.9	1.08	46	101	130	55.0	1.15	1175	85.5	88.5	89.5	0.55	0.67	0.74	4.17
5	3.7	182/4T	7.40	J	7.8	2.2	3.0	0.2079	17	37	78.5	68.0	1.15	3500	87.5	88.5	88.5	0.76	0.85	0.89	5.90
		182/4T	14.8	J	7.0	2.2	3.0	0.3080	16	35	71.4	56.0	1.15	1750	88.5	89.5	89.5	0.60	0.73	0.80	6.49
		213/5T	22.0	H	6.0	2.2	2.5	1.26	30	66	144	55.0	1.15	1175	87.5	88.5	89.5	0.59	0.71	0.77	6.74
7.5	5.5	213/5T	11.0	H	7.6	2.6	3.0	0.5496	15	33	133	70.0	1.15	3530	87.5	88.5	89.5	0.76	0.85	0.89	8.67
		213/5T	22.0	H	7.3	2.6	3.0	0.9380	22	48	120	60.0	1.15	1770	90.2	91.0	91.7	0.64	0.76	0.82	9.07
		254/6T	33.1	G	5.4	2.0	2.3	2.34	42	92	204	59.0	1.15	1175	89.5	89.5	91.0	0.58	0.70	0.76	9.98
10	7.5	213/5T	14.7	H	7.5	2.6	3.0	0.7188	12	26	161	70.0	1.15	3530	89.5	90.2	90.2	0.80	0.88	0.91	11.5
		213/5T	29.4	H	7.0	2.5	3.0	1.07	15	33	130	60.0	1.15	1760	91.0	91.0	91.7	0.67	0.78	0.84	12.2
		254/6T	44.1	G	5.4	2.1	2.3	2.83	30	66	234	59.0	1.15	1175	90.2	91.0	91.0	0.57	0.69	0.75	13.8
15	11	254/6T	22.0	G	6.8	2.0	3.0	0.8718	14	31	175	75.0	1.15	3525	89.5	91.0	91.0	0.73	0.83	0.87	17.4
		254/6T	43.9	G	6.5	2.5	3.0	2.15	19	42	197	68.0	1.15	1770	91.0	92.4	92.4	0.64	0.76	0.82	18.2
20	15	254/6T	29.5	G	6.6	2.0	2.9	1.22	12	26	211	75.0	1.15	3515	90.0	91.0	91.0	0.81	0.88	0.91	22.7
		254/6T	58.7	H	6.7	2.7	3.0	2.64	16	35	227	68.0	1.15	1765	91.7	92.4	93.0	0.66	0.77	0.82	24.7
25	18.5	254/6T	36.7	J	8.3	2.4	3.4	1.31	8	18	221	75.0	1.15	3530	91.0	91.7	91.7	0.77	0.85	0.89	28.5

ODP Rolled Steel up to 254/6T Frame - - Cast Iron - 254 and Larger - Three Phase - General Purpose

Output		Frame	Full Load Torque (ft.lb)	Locked Rotor Current		Locked Rotor Torque Tl/Tn	Break-down Torque T _b /T _n	Inertia J (lb-ft ²)	Allowable locked rotor time (s)		Weight (lb)	Sound dB(A)	Service Factor	460 V							
				Code	II/In				Hot	Cold				Rated speed (rpm)	% of full load						Full load current in (A)
															Efficiency			Power Factor			
															50	75	100	50	75	100	
1	0.75	143/5T	1.48	L	8.3	2.1	3.3	0.0643	22	48	25.4	62.0	1.15	3510	74.0	78.5	80.0	0.66	0.78	0.85	1.38
		143/5T	2.94	L	8.0	2.9	3.6	0.1101	22	48	34.4	52.0	1.15	1760	81.5	84.0	85.5	0.51	0.65	0.73	1.51
		143/5T	4.51	K	6.1	2.5	3.0	0.1419	24	53	35.3	49.0	1.15	1150	78.5	81.5	82.5	0.47	0.60	0.69	1.65
1.5	1.1	143/5T	2.21	K	8.6	2.1	3.3	0.0835	19	42	29.3	62.0	1.15	3510	81.5	84.0	84.0	0.73	0.83	0.89	1.85
		143/5T	4.42	L	8.7	2.8	3.3	0.1426	15	33	41.9	52.0	1.15	1760	84.0	86.5	86.5	0.56	0.69	0.77	2.07
		182/4T	6.67	J	6.5	2.0	3.1	0.2178	46	101	56.0	52.0	1.15	1165	84.0	85.5	86.5	0.51	0.63	0.71	2.25
2	1.5	143/5T	2.95	K	8.9	2.2	3.3	0.1151	14	31	36.8	62.0	1.15	3510	84.0	85.5	85.5	0.77	0.86	0.91	2.42
		143/5T	5.96	K	7.7	2.6	3.2	0.1168	17	37	39.0	52.0	1.15	1740	85.5	86.5	86.5	0.61	0.74	0.81	2.69
		182/4T	8.89	J	6.6	2.0	3.0	0.2800	33	73	66.1	52.0	1.15	1165	85.5	86.5	87.5	0.53	0.66	0.73	2.95
3	2.2	143/5T	4.47	J	8.0	2.3	3.0	0.1279	9	20	39.9	62.0	1.15	3480	84.0	85.5	85.5	0.76	0.86	0.90	3.59
		182/4T	8.81	K	8.4	2.2	3.3	0.3092	15	33	65.9	55.0	1.15	1765	87.5	88.5	89.5	0.60	0.73	0.80	3.86
		213/5T	13.2	H	5.9	2.1	2.6	0.8104	39	86	98.3	55.0	1.15	1175	86.5	87.5	88.5	0.56	0.68	0.75	4.16
5	3.7	182/4T	7.38	J	7.6	1.9	3.0	0.1386	12	26	58.7	65.0	1.15	3510	85.5	86.5	86.5	0.73	0.83	0.88	6.10
		182/4T	14.7	J	7.2	2.0	3.1	0.4003	12	26	79.8	55.0	1.15	1760	88.5	88.5	89.5	0.63	0.76	0.82	6.33
		213/5T	22.0	H	5.9	2.2	2.5	1.08	29	64	118	55.0	1.15	1175	88.5	89.5	89.5	0.58	0.70	0.77	6.74
7.5	5.5	182/4T	11.1	H	7.4	1.8	2.9	0.1818	10	22	69.9	65.0	1.15	3500	88.5	88.5	88.5	0.76	0.85	0.90	8.67
		213/5T	22.0	H	7.2	2.4	3.2	1.03	13	29	116	59.0	1.15	1770	89.5	90.2	91.0	0.65	0.77	0.82	9.25
		254/6T	33.1	F	5.1	2.0	2.3	2.00	37	81	187	59.0	1.15	1175	88.5	90.2	90.2	0.56	0.68	0.75	10.2
10	7.5	254T	33.1	J	6.9	2.4	3.0	2.73	12	26	232	56.0	1.15	1175	87.5	89.5	90.2	0.59	0.72	0.79	9.69
		213/5T	14.7	H	6.8	2.0	2.8	0.4651	11	24	117	66.0	1.15	3535	88.5	89.5	89.5	0.74	0.84	0.88	12.0
		213T	14.7	H	7.2	2.2	2.8	0.4881	15	33	121	68.0	1.15	3520	89.5	90.2	90.2	0.73	0.83	0.88	11.9
15	11	213/5T	29.3	H	7.0	2.5	3.5	1.30	14	31	137	59.0	1.15	1770	90.2	91.0	91.7	0.64	0.77	0.83	12.4
		254/6T	43.9	G	5.3	2.1	2.3	2.50	34	75	209	59.0	1.15	1180	91.0	91.7	91.7	0.56	0.68	0.74	13.9
		256T	44.1	H	6.6	2.3	2.8	3.41	12	26	251	57.0	1.15	1175	90.2	91.0	91.7	0.62	0.74	0.80	12.8
20	15	213/5T	22.0	G	6.8	2.1	2.8	0.5512	8	18	131	66.0	1.15	3535	90.2	90.2	90.2	0.77	0.86	0.89	17.2
		254/6T	43.8	H	6.7	2.4	3.0	1.82	17	37	175	64.0	1.15	1775	91.7	92.4	93.0	0.62	0.73	0.80	18.6
		254T	43.8	H	6.7	2.9	3.0	2.08	14	31	254	59.0	1.15	1775	91.7	92.4	93.0	0.60	0.72	0.80	18.6
25	18.5	284T	65.9	G	6.6	2.6	2.8	5.56	12	26	364	58.0	1.15	1180	89.5	91.0	91.7	0.72	0.81	0.85	17.7
		254/6T	29.4	G	6.0	1.8	2.4	0.7848	13	29	151	70.0	1.15	3525	90.2	91.0	91.0	0.76	0.83	0.87	23.8
		254T	29.4	G	6.0	1.9	2.5	0.7328	12	26	194	66.0	1.15	3520	89.5	90.2	91.0	0.71	0.80	0.84	24.6
25	18.5	254/6T	58.5	G	6.3	2.4	2.9	2.23	15	33	198	64.0	1.15	1770	92.4	92.4	93.0	0.63	0.74	0.81	25.0
		256T	58.5	G	6.3	2.6	2.8	2.62	12	26	295	60.0	1.15	1770	91.7	93.0	93.0	0.63	0.72	0.82	24.7
		286T	88.2	G	6.3	2.2	2.4	7.20	18	40	397	58.0	1.15	1175	91.7	92.4	92.4	0.74	0.83	0.85	24.0
		254/6T	36.7	G	6.3	1.8	2.9	0.9155	9	20	174	70.0	1.15	3530	91.0	91.7	91.7	0.73	0.83	0.87	29.1
		256T	36.7	G	6.5	2.0	2.6	1.08	9	20	243	67.0	1.15	3530	91.0	91.7	91.7	0.73	0.82	0.85	29.8
25	18.5	284T	73.2	H	6.7	2.5	2.8	3.41	15	33	362	62.0	1.15	1770	92.4	93.0	93.6	0.67	0.78	0.83	29.9
		284TS	73.2	H	6.7	2.5	2.8	3.41	15	33	342	62.0	1.15	1770	92.4	93.0	93.6	0.67	0.78	0.83	29.9
25	18.5	324T	110	G	6.0	2.0	2.4	8.51	18	40	463	60.0	1.15	1180	91.7	92.4	93.0	0.67	0.77	0.82	30.4

continued on next page



ODP Rolled Steel up to 254/6T Frame - - Cast Iron - 254 and Larger - Three Phase - General Purpose - continued

Output		Frame	Full Load Torque (ft.lb)	Locked Rotor Current		Locked Rotor Torque Tl/Tn	Break-down Torque Tlb/Tn	Inertia J (lb-ft ²)	Allowable locked rotor time (s)		Weight (lb)	Sound dB(A)	Service Factor	460 V							
				Code	ll/ln				Hot	Cold				Rated speed (rpm)	% of full load			Full load current In (A)			
															Efficiency				Power Factor		
HP	kW												50	75	100	50	75	100			
30	22	284TS	43.9	G	6.4	2.2	2.8	1.89	10	22	333	72.0	1.15	3540	92.4	93.0	92.4	0.77	0.84	0.86	34.7
		286T	87.8	G	6.7	2.6	2.8	4.90	14	31	419	63.0	1.15	1770	93.6	94.1	94.1	0.70	0.80	0.83	35.4
		286TS	87.8	G	6.7	2.6	2.8	4.90	14	31	419	63.0	1.15	1770	93.6	94.1	94.1	0.70	0.80	0.83	35.4
		326T	132	G	6.2	2.2	2.7	9.79	17	37	573	60.0	1.15	1180	91.7	93.0	93.6	0.65	0.77	0.82	36.0
40	30	286TS	58.6	G	6.4	2.0	2.6	2.36	10	22	373	73.0	1.15	3535	91.7	93.0	93.0	0.74	0.83	0.86	47.1
		324T	117	G	6.2	2.2	2.3	6.05	28	62	545	64.0	1.15	1775	93.6	94.1	94.1	0.68	0.78	0.83	48.2
		324TS	117	G	6.2	2.2	2.3	6.05	28	62	507	64.0	1.15	1775	93.6	94.1	94.1	0.68	0.78	0.83	48.2
		364/5T	175	G	6.7	2.1	2.6	23.5	24	53	739	67.0	1.15	1185	93.6	94.1	94.1	0.71	0.80	0.85	47.1
50	37	324TS	72.9	G	6.4	2.2	2.6	3.83	28	62	496	74.0	1.15	3555	92.4	93.6	93.6	0.74	0.82	0.84	59.1
		326T	146	G	6.3	2.4	2.5	7.04	12	26	565	65.0	1.15	1775	94.1	94.5	94.5	0.70	0.79	0.82	59.9
		326TS	146	G	6.3	2.4	2.5	7.04	12	26	573	65.0	1.15	1775	94.1	94.5	94.5	0.70	0.79	0.82	59.9
		364/5T	219	G	6.5	2.0	2.5	25.7	18	40	862	68.0	1.15	1185	93.6	94.1	94.1	0.72	0.81	0.84	58.8
60	45	326TS	87.4	G	6.2	2.0	2.6	4.36	24	53	529	75.0	1.15	3555	93.0	93.6	93.6	0.77	0.84	0.85	71.0
		364T	175	G	6.7	2.5	3.0	15.6	15	33	643	68.0	1.15	1780	94.5	94.5	95.0	0.74	0.83	0.85	69.9
		364TS	175	G	6.7	2.5	3.0	15.6	15	33	825	68.0	1.15	1780	94.5	94.5	95.0	0.74	0.83	0.85	69.9
		364/5T	175	G	6.7	2.5	3.0	15.6	15	33	643	68.0	1.15	1780	94.5	94.5	95.0	0.74	0.83	0.85	69.9
		404/5T	262	G	6.5	2.1	2.5	30.2	16	35	915	69.0	1.15	1185	94.1	94.5	94.5	0.73	0.82	0.85	70.3
75	55	364TS	109	G	6.4	1.8	2.8	6.81	14	31	754	80.0	1.15	3560	93.6	94.1	94.1	0.78	0.85	0.88	83.4
		365T	218	G	6.7	2.1	2.6	19.5	14	31	649	68.0	1.15	1780	94.5	95.0	95.0	0.76	0.84	0.87	83.5
		365TS	218	G	6.7	2.1	2.6	19.5	14	31	871	68.0	1.15	1780	94.5	95.0	95.0	0.76	0.84	0.87	83.5
		404/5T	329	G	6.8	2.4	2.7	27.9	14	31	1080	69.0	1.15	1180	94.1	94.5	94.5	0.72	0.81	0.85	85.9
100	75	365TS	146	G	6.7	1.9	2.5	8.30	12	26	825	83.0	1.15	3560	94.1	94.5	94.5	0.84	0.89	0.89	112
		404T	291	G	6.7	2.3	2.7	22.8	10	22	1003	69.0	1.15	1780	95.0	95.4	95.4	0.77	0.84	0.87	113
		404TS	291	G	6.7	2.3	2.7	22.8	10	22	1052	69.0	1.15	1780	95.0	95.4	95.4	0.77	0.84	0.87	113
		444/5T	435	G	5.7	2.1	2.4	43.8	18	40	1486	77.0	1.15	1190	94.5	95.0	95.0	0.62	0.74	0.79	125
125	90	404TS	182	F	6.5	1.8	2.8	10.2	11	24	986	84.0	1.15	3560	94.1	94.5	94.5	0.83	0.88	0.90	133
		405T	364	G	7.0	2.4	2.5	26.6	10	22	1087	69.0	1.15	1780	95.0	95.4	95.4	0.76	0.85	0.87	136
		405TS	364	G	7.0	2.4	2.5	26.6	10	22	1144	69.0	1.15	1780	95.0	95.4	95.4	0.76	0.85	0.87	136
		444/5T	547	H	6.7	2.4	2.4	70.9	20	44	1740	78.0	1.15	1185	94.5	95.0	95.0	0.60	0.72	0.78	158
150	110	405TS	219	G	6.6	1.9	2.5	11.9	10	22	1246	84.0	1.15	3555	94.5	94.5	94.5	0.86	0.89	0.90	162
		444T	435	G	6.6	2.0	2.4	49.5	19	42	1484	78.0	1.15	1785	95.4	95.8	95.8	0.77	0.84	0.87	166
		444TS	435	G	6.6	2.0	2.4	49.5	19	42	1433	78.0	1.15	1785	95.4	95.8	95.8	0.77	0.84	0.87	166
		444/5T	656	H	6.6	2.2	2.4	57.2	18	40	2007	79.0	1.15	1185	94.5	95.0	95.4	0.62	0.73	0.79	183
200	150	444TS	290	G	6.5	1.9	2.5	25.7	20	44	1537	88.0	1.15	3575	93.6	94.5	95.0	0.81	0.87	0.89	223
		445T	582	F	6.1	2.0	2.3	49.5	16	35	1740	78.0	1.15	1780	95.4	95.8	95.8	0.76	0.83	0.86	229
		445TS	582	F	6.1	2.0	2.3	49.5	16	35	1740	78.0	1.15	1780	95.4	95.8	95.8	0.76	0.83	0.86	229
		447/9T	874	F	5.8	2.0	2.2	98.2	18	40	2260	79.0	1.15	1185	95.0	95.4	95.4	0.69	0.78	0.82	241

continued on next page

Electrical Data

ODP Rolled Steel up to 254/6T Frame - Three Phase - General Purpose - continued

Output		Frame	Full Load Torque (ft.lb)	Locked Rotor Current		Locked Rotor Torque Tl/Tn	Break-down Torque Td/Tn	Inertia J (lb-ft ²)	Allowable locked rotor time (s)		Weight (lb)	Sound dB(A)	Service Factor	460 V							
				Code	ll/n				Hot	Cold				Rated speed (rpm)	% of full load						Full load current In (A)
															Efficiency			Power Factor			
															50	75	100	50	75	100	
250	185	445TS	363	F	6.0	1.9	2.5	30.2	18	40	1643	88.0	1.15	3564	94.1	95.0	95.0	0.84	0.88	0.90	272
		445T	728	G	7.0	2.1	2.5	57.2	14	31	2029	78.0	1.15	1780	95.4	95.8	95.8	0.81	0.86	0.88	275
		445TS	728	G	7.0	2.1	2.5	57.2	14	31	2029	78.0	1.15	1780	95.4	95.8	95.8	0.81	0.86	0.88	275
		447/9T	1093	G	6.5	2.2	2.4	115	18	40	2481	79.0	1.15	1185	95.4	95.8	95.4	0.67	0.77	0.81	300
300	220	445TS	436	F	6.3	2.0	2.6	33.5	16	35	2007	89.0	1.15	3565	94.5	95.4	95.4	0.84	0.89	0.90	322
		447/9T	873	G	7.1	2.2	2.3	56.1	10	22	2150	77.0	1.15	1780	95.8	95.8	95.8	0.81	0.87	0.89	324
		447/9T*	1306	H	6.7	2.4	2.8	131	18	40	2701	79.0	1.15	1190	95.4	95.8	95.4	0.62	0.73	0.79	366
350	260	447/9TS	509	G	6.5	1.7	2.5	35.7	14	31	1874	87.0	1.15	3565	95.0	95.4	95.4	0.83	0.88	0.89	384
		447/9T	1019	G	6.6	2.0	2.3	66.1	10	22	2370	77.0	1.15	1780	95.8	95.8	95.8	0.76	0.83	0.86	396
		5010/11	1524	G	6.2	2.0	2.1	217	15	33	3308	78.0	1.15	1190	95.4	95.8	95.8	0.71	0.80	0.84	406
400	300	447/9TS	581	G	6.5	1.7	2.5	39.1	14	31	2040	87.0	1.15	3565	95.4	95.8	95.8	0.83	0.88	0.89	442
		447/9T	1164	G	6.8	2.3	2.3	77.6	9	20	2591	77.0	1.15	1780	95.8	95.8	95.8	0.78	0.85	0.87	452
		5010/11	1741	G	6.3	2.1	2.1	265	15	33	3749	78.0	1.15	1190	95.4	95.8	95.8	0.71	0.80	0.84	468
450	330	447/9TS	654	G	6.8	1.8	2.5	43.6	14	31	2128	87.0	1.15	3565	95.8	96.2	96.2	0.84	0.89	0.90	478
		5010/11	1305	G	6.8	2.2	2.2	118	18	40	3087	80.0	1.15	1787	95.4	95.8	96.2	0.73	0.82	0.85	507
		5010/11*	1959	G	6.5	2.3	2.3	265	15	33	3749	78.0	1.00	1190	95.4	95.8	95.8	0.68	0.78	0.82	527
500	370	447/9TS	726	G	7.1	1.9	2.5	46.9	14	31	2194	87.0	1.15	3570	95.8	96.2	96.2	0.84	0.89	0.90	536
		5010/11	1450	H	7.0	2.3	2.3	131	17	37	3308	80.0	1.15	1787	95.4	95.8	96.2	0.73	0.82	0.85	568
550	400	447/9TS	799	G	7.2	2.0	2.5	50.3	14	31	2326	87.0	1.15	3565	95.8	96.2	96.2	0.84	0.89	0.90	580
		5010/11	1595	G	6.8	2.2	2.2	144	16	35	3528	80.0	1.15	1787	95.6	96.2	96.2	0.76	0.84	0.87	600
600	440	447/9TS	871	H	7.9	2.0	2.7	53.6	14	31	2414	87.0	1.15	3570	95.8	96.2	96.2	0.83	0.89	0.90	638
		5010/11*	1740	G	6.8	2.2	2.2	157	12	26	3749	80.0	1.00	1787	95.8	96.2	96.2	0.76	0.84	0.87	660
650	480	5010/11	943	G	6.5	1.8	2.3	73.3	12	26	2977	89.0	1.15	3570	95.0	95.4	95.8	0.78	0.85	0.88	715
		L5010/11	1887	F	6.0	1.5	2.2	219	25	55	5292	80.0	1.15	1785	95.4	96.2	96.2	0.76	0.83	0.85	737
700	515	5010/11	1016	G	6.8	2.0	2.4	78.5	16	35	3418	89.0	1.15	3570	95.4	95.8	95.8	0.79	0.86	0.88	767
		L5010/11	2032	H	7.0	1.8	2.3	106	15	33	5954	80.0	1.15	1785	95.4	96.2	96.2	0.70	0.80	0.84	800
750	560	5010/11	1085	H	7.5	2.1	2.6	89.0	12	26	3308	89.0	1.15	3580	95.4	96.0	96.0	0.76	0.83	0.87	827
		L5010/11	2177	G	6.5	1.7	2.3	248	25	55	5954	80.0	1.15	1785	95.4	96.2	96.2	0.73	0.81	0.84	870
800	590	5010/11	1159	H	7.4	2.0	2.5	89.0	12	26	3528	89.0	1.15	3575	95.8	96.2	96.2	0.78	0.85	0.87	885
		L5010/11	2322	F	6.2	1.6	2.2	248	25	55	5954	80.0	1.00	1785	95.4	96.2	96.2	0.74	0.82	0.85	906
850	630	5010/11*	1232	H	7.4	2.0	2.5	95.7	10	22	3638	89.0	1.00	3575	95.8	96.2	96.2	0.78	0.85	0.88	934
		L5810/11	2460	G	6.8	1.6	2.1	454	20	44	6615	85.0	1.15	1790	96.4	96.5	96.5	0.77	0.84	0.86	953
900	660	5010/11*	1304	G	7.2	2.0	2.5	95.7	8	18	3749	89.0	1.00	3575	95.8	96.2	96.2	0.78	0.85	0.88	979
		L5810/11	2605	G	7.0	2.0	2.2	503	20	44	7166	85.0	1.15	1790	96.4	96.5	96.5	0.75	0.83	0.86	1010
970	720	L5810/11	2808	G	6.8	1.8	2.1	524	20	44	7166	85.0	1.00	1790	96.4	96.5	96.5	0.78	0.85	0.86	1090
1000	750	L5010/11	1449	E	5.2	1.3	1.8	126	25	55	5072	89.0	1.00	3575	96.2	96.5	96.5	0.80	0.85	0.87	1120
		L5810/11	2894	H	7.2	1.7	2.0	332	20	44	7718	85.0	1.00	1790	96.4	96.5	96.5	0.78	0.84	0.85	1150
1100	800	L5810/11	1592	G	6.5	1.2	2.0	198	20	44	6395	94.0	1.00	3580	96.5	97.0	97.0	0.81	0.85	0.87	1190
		L5810/11	3184	H	7.2	1.8	2.1	332	20	44	7718	85.0	1.00	1790	96.4	96.5	96.5	0.77	0.84	0.85	1220
1250	900	L5810/11	1809	F	6.5	1.1	2.0	217	20	44	6615	94.0	1.00	3580	96.5	97.0	97.0	0.81	0.85	0.87	1340

Explosion Proof - Three Phase

Output		Frame	Full Load Torque (ft. lb)	Locked Rotor Current		Locked Rotor Torque Tl/Tn	Break-down Torque Tb/Tn	Inertia J (lb-ft ²)	Allowable locked rotor time (s)		Weight (lb)	Sound dB(A)	Service Factor	460 V								
														Rated speed (rpm)	% of full load						Full load current In (A)	
															Efficiency			Power Factor				
															50	75	100	50	75	100		
1	0.75	143T	1.48	M	9.0	3.0	4.0	0.0415	40	88	61.7	68.0	1.15	3495	75.5	80.0	81.5	0.65	0.76	0.82	1.41	
		143T	2.94	L	8.6	2.9	3.7	0.0975	18	40	61.7	51.0	1.15	1760	80.0	82.5	85.5	0.57	0.70	0.77	1.43	
		145T	4.52	J	5.8	2.0	2.5	0.1595	30	66	52.9	49.0	1.15	1145	78.5	81.5	82.5	0.54	0.66	0.74	1.54	
		182T	5.92	M	6.0	3.0	3.5	0.3991	22	48	112	50.0	1.15	875	74.0	77.0	78.5	0.32	0.42	0.52	2.30	
1.5	1.1	143T	2.22	M	9.2	3.0	4.0	0.0413	20	44	61.7	68.0	1.15	3500	78.5	82.5	84.0	0.62	0.73	0.80	2.05	
		145T	4.42	L	8.9	2.7	3.5	0.1303	14	31	70.6	51.0	1.15	1760	81.5	85.5	86.5	0.58	0.70	0.78	2.05	
		182T	6.67	K	7.2	2.6	3.3	0.4212	35	77	118	52.0	1.15	1165	84.5	86.5	87.5	0.47	0.59	0.68	2.32	
		184T	9.04	J	5.5	2.4	2.6	0.5223	17	37	128	50.0	1.15	860	80.0	81.5	82.5	0.42	0.54	0.62	2.70	
2	1.5	145T	2.96	M	9.4	3.5	4.0	0.0551	15	33	66.1	68.0	1.15	3495	80.0	84.0	85.5	0.64	0.76	0.82	2.69	
		145T	5.92	K	7.9	2.5	3.2	0.1595	11	24	72.8	51.0	1.15	1750	84.0	85.5	86.5	0.60	0.73	0.80	2.72	
		184T	8.89	K	7.0	2.6	3.3	0.5323	35	77	129	52.0	1.15	1165	84.5	86.5	88.5	0.47	0.58	0.68	3.13	
		213T	11.9	M	7.6	2.7	3.0	1.31	35	77	165	52.0	1.15	870	80.0	82.5	84.0	0.45	0.57	0.65	3.45	
3	2.2	182T	4.43	K	8.4	2.5	4.0	0.1471	30	66	90.4	69.0	1.15	3510	82.5	85.5	86.5	0.73	0.81	0.85	3.76	
		182T	8.83	K	8.0	2.5	3.2	0.2781	28	62	115	56.0	1.15	1760	87.5	88.5	89.5	0.59	0.71	0.79	3.91	
		213T	13.2	K	7.0	2.2	2.5	1.20	58	128	165	55.0	1.15	1175	86.5	88.5	89.5	0.50	0.62	0.70	4.41	
		215T	18.0	K	7.1	2.1	2.6	1.79	32	70	201	52.0	1.15	865	84.0	85.5	85.5	0.54	0.66	0.74	4.36	
5	3.7	184T	7.42	J	7.5	2.5	3.8	0.1889	26	57	106	69.0	1.15	3490	85.5	87.5	88.5	0.70	0.81	0.86	6.10	
		184T	14.8	K	8.2	2.7	3.3	0.3695	17	37	130	56.0	1.15	1755	86.5	88.5	89.5	0.59	0.71	0.79	6.57	
		215T	22.1	J	6.8	1.7	2.6	1.47	57	125	162	55.0	1.15	1170	88.5	89.5	89.5	0.58	0.70	0.76	6.83	
		254T	29.4	H	5.3	2.1	2.7	3.41	21	46	313	54.0	1.15	880	84.0	86.5	87.5	0.46	0.58	0.67	7.93	
7.5	5.5	213T	11.1	H	7.0	2.2	3.0	0.4696	23	51	190	72.0	1.15	3510	85.5	88.5	89.5	0.81	0.87	0.90	8.57	
		213T	22.0	H	6.7	2.4	2.8	1.38	12	26	152	58.0	1.15	1765	88.5	90.2	91.7	0.60	0.73	0.80	9.41	
		254T	33.1	J	7.0	2.7	3.2	3.32	25	55	309	59.0	1.15	1175	88.5	90.2	91.0	0.58	0.71	0.78	9.73	
		256T	44.2	H	5.3	2.1	2.8	4.15	23	51	353	54.0	1.15	880	86.5	87.5	87.5	0.48	0.60	0.68	11.6	
10	7.5	215T	14.8	H	6.9	2.1	2.8	0.5512	150	330	201	72.0	1.15	3510	89.5	90.2	90.2	0.81	0.88	0.90	11.6	
		215T	29.4	J	7.5	2.5	3.0	1.34	15	33	207	58.0	1.15	1765	90.2	91.0	91.7	0.62	0.75	0.81	12.7	
		256T	44.1	J	7.2	2.7	3.1	4.15	26	57	364	59.0	1.15	1175	89.5	90.2	91.0	0.60	0.70	0.78	13.3	
		284T	58.9	H	6.0	2.5	2.4	7.20	30	66	467	54.0	1.15	880	91.0	91.7	91.0	0.62	0.73	0.78	13.3	
15	11	254T	22.0	G	6.8	2.0	2.7	1.19	31	68	318	75.0	1.15	3540	90.0	90.5	91.0	0.74	0.83	0.87	17.4	
		254T	43.9	J	7.3	3.0	3.0	2.31	26	57	329	69.0	1.15	1770	90.2	91.7	92.4	0.65	0.75	0.81	18.4	
		284T	65.9	H	7.2	2.5	2.6	7.07	25	55	463	59.0	1.15	1180	91.0	91.7	91.7	0.74	0.83	0.86	17.5	
		286T	88.3	G	6.1	2.4	2.3	8.18	37	81	507	54.0	1.15	880	91.0	91.7	91.0	0.66	0.76	0.80	19.0	
20	15	256T	29.4	G	6.2	2.0	2.5	1.45	26	57	357	75.0	1.15	3530	90.2	91.0	91.0	0.79	0.86	0.89	23.2	
		256T	58.5	J	7.5	3.0	3.0	2.89	20	44	364	69.0	1.15	1770	91.7	92.4	93.0	0.63	0.75	0.81	25.0	
		286T	87.8	H	7.2	2.5	2.7	8.02	22	48	501	59.0	1.15	1180	91.7	91.7	91.7	0.70	0.80	0.85	24.2	
		324T	118	G	5.3	2.3	2.3	9.37	25	55	606	56.0	1.15	880	91.7	92.4	92.4	0.56	0.67	0.74	27.5	
25	18.5	284TS	36.4	K	9.0	2.2	2.8	2.58	58	128	452	75.0	1.15	3555	91.7	92.4	92.4	0.78	0.85	0.88	28.6	
		284T	73.0	J	8.2	3.0	3.0	4.54	20	44	472	68.0	1.15	1775	92.4	93.6	93.6	0.67	0.78	0.83	29.9	
		324T	110	G	6.4	2.3	2.6	10.8	25	55	639	62.0	1.15	1180	92.4	93.0	93.0	0.65	0.76	0.82	30.4	
		326T	147	G	5.1	2.4	2.4	11.9	20	44	673	56.0	1.15	880	91.0	92.4	92.4	0.51	0.63	0.71	35.4	

continued on next page

Explosion Proof - Three Phase - *continued*

Output		Frame	Full Load Torque (ft.lb)	Locked Rotor Current		Locked Rotor Torque Tl/Tn	Break-down Torque Tb/Tn	Inertia J (lb-ft ²)	Allowable locked rotor time (s)		Weight (lb)	Sound dB(A)	Service Factor	460 V							Full load current In (A)
				Code	II/In				Hot	Cold				Rated speed (rpm)	% of full load						
															Efficiency			Power Factor			
				HP	kW				50	75					100	50	75	100			
30	22	286TS	43.8	H	7.7	2.6	3.0	3.08	14	31	529	75.0	1.15	3545	92.4	93.0	93.0	0.78	0.86	0.88	33.7
		286T	87.8	J	8.2	3.0	3.0	5.16	17	37	512	68.0	1.15	1770	93.0	93.6	93.6	0.66	0.77	0.82	36.0
		326T	132	H	7.1	2.4	2.7	12.5	25	55	695	62.0	1.15	1180	92.4	93.0	93.0	0.63	0.75	0.81	36.7
		364/5T	176	G	5.7	2.2	2.2	23.5	14	31	911	62.0	1.15	885	92.4	93.0	93.0	0.64	0.73	0.77	38.5
40	30	324TS	58.3	G	6.6	2.7	2.7	4.90	43	95	516	81.0	1.15	3555	92.4	93.6	93.6	0.80	0.86	0.88	45.8
		324T	116	J	7.7	2.7	3.0	8.17	19	42	650	71.0	1.15	1780	93.0	94.1	94.1	0.66	0.77	0.83	48.2
		364/5T	175	H	7.0	2.3	2.3	29.0	24	53	1010	65.0	1.15	1185	93.6	94.1	94.1	0.72	0.80	0.85	47.1
		364/5T	234	F	5.2	2.2	2.2	29.0	25	55	1058	62.0	1.15	885	93.0	93.6	93.6	0.64	0.73	0.77	52.2
50	37	326TS	73.0	H	7.2	2.1	2.1	5.42	33	73	728	81.0	1.15	3550	92.4	93.6	94.1	0.82	0.88	0.89	55.5
		326T	146	H	7.3	2.6	2.8	9.16	20	44	706	71.0	1.15	1780	93.6	94.5	94.5	0.65	0.76	0.81	60.6
		364/5T	219	H	7.4	2.6	2.8	29.4	20	44	1036	65.0	1.15	1185	93.6	94.1	94.1	0.71	0.81	0.85	58.1
		404/5T	293	J	7.3	2.2	2.1	34.6	12	26	1257	62.0	1.15	885	92.4	93.0	93.6	0.67	0.73	0.73	68.0
60	45	364/5TS	87.3	G	6.4	2.0	2.5	9.96	60	132	1017	85.0	1.15	3560	92.4	93.6	94.1	0.79	0.86	0.88	68.2
		364/5T	175	H	7.0	2.5	2.5	20.8	20	44	1014	75.0	1.15	1780	94.1	94.5	95.0	0.72	0.82	0.87	68.3
		404/5T	262	H	6.9	2.5	2.7	36.9	29	64	1213	65.0	1.15	1185	93.6	94.5	94.5	0.73	0.82	0.85	70.3
		404/5T	351	G	6.2	1.8	2.2	38.3	25	55	1279	62.0	1.15	885	92.4	93.0	93.0	0.65	0.75	0.80	75.9
75	55	364/5TS	109	G	7.0	2.3	2.6	9.96	18	40	1025	85.0	1.15	3560	93.0	94.1	94.1	0.81	0.87	0.89	82.4
		364/5T	218	G	7.0	2.4	2.9	23.3	16	35	937	75.0	1.15	1780	94.5	95.0	95.4	0.74	0.83	0.87	83.2
		404/5T	329	J	7.7	2.5	2.6	40.2	15	33	1257	65.0	1.15	1180	94.1	95.0	94.5	0.72	0.81	0.84	87.0
		444/5T	437	G	6.1	1.7	2.1	73.6	18	40	1912	64.0	1.15	890	93.6	94.1	93.6	0.66	0.76	0.80	92.2
100	75	404/5TS	146	G	6.5	2.0	2.6	13.2	21	46	1206	85.0	1.15	3550	93.6	95.0	95.0	0.85	0.89	0.90	110
		404/5T	291	H	7.2	2.7	3.0	26.4	13	29	1222	75.0	1.15	1780	94.5	95.0	95.4	0.72	0.82	0.87	113
		444/5T	435	H	6.8	2.3	2.6	87.3	49	108	1896	70.0	1.15	1190	94.1	95.0	95.0	0.66	0.76	0.82	121
		444/5T	582	G	6.1	1.7	2.0	87.3	16	35	2053	64.0	1.15	890	94.1	94.5	94.1	0.68	0.77	0.80	125
125	90	444/5TS	181	F	6.6	2.0	2.5	31.2	22	48	1940	86.0	1.15	3570	93.0	94.5	95.0	0.83	0.89	0.90	132
		444/5T	363	G	6.4	2.0	2.2	57.2	18	40	2026	76.0	1.15	1785	95.0	95.4	95.4	0.76	0.83	0.86	142
		444/5T	547	H	7.4	2.3	2.4	104	41	90	2293	70.0	1.15	1185	94.5	95.0	95.0	0.67	0.76	0.82	150
		447T	728	G	6.1	1.7	2.0	104	18	40	2337	66.0	1.15	890	94.5	95.0	94.5	0.66	0.76	0.80	154
		504/5T	728	G	6.1	1.7	2.0	104	18	40	2337	66.0	1.15	890	94.5	95.0	94.5	0.66	0.76	0.80	154
150	110	444/5TS	218	G	7.0	2.0	2.5	39.1	31	68	1985	86.0	1.15	3570	93.6	95.0	95.4	0.85	0.89	0.90	161
		444/5T	437	G	6.3	2.2	2.5	66.7	22	48	2095	76.0	1.15	1780	95.0	95.8	95.8	0.72	0.81	0.85	170
		447T	656	H	7.5	2.6	2.6	134	42	92	2540	73.0	1.15	1185	95.0	95.8	95.8	0.68	0.78	0.83	174
		504/5T	656	H	7.5	2.6	2.6	134	42	92	2540	73.0	1.15	1185	95.0	95.8	95.8	0.68	0.78	0.83	174
		447T	873	G	6.0	1.7	2.0	125	18	40	2646	66.0	1.15	890	94.5	95.0	94.5	0.68	0.77	0.82	179
		504/5T	873	G	6.0	1.7	2.0	125	18	40	2646	66.0	1.15	890	94.5	95.0	94.5	0.68	0.77	0.82	179

continued on next page

Explosion Proof - Three Phase - *continued*

Output		Frame	Full Load Torque (ft.lb)	Locked Rotor Current		Locked Rotor Torque Tl/Tn	Break-down Torque Tb/Tn	Inertia J (lb-ft ²)	Allowable locked rotor time (s)		Weight (lb)	Sound dB(A)	Service Factor	460 V								
														Rated speed (rpm)	% of full load						Full load current In (A)	
															Efficiency			Power Factor				
HP	kW			Code	II/In			Hot	Cold					50	75	100	50	75	100			
200	150	447TS	290	H	7.3	2.2	2.6	44.7	37	81	2492	87.0	1.15	3570	94.1	95.4	95.8	0.84	0.88	0.89	221	
		504/5TS	290	H	7.3	2.2	2.6	44.7	37	81	2492	88.0	1.15	3570	94.1	95.4	95.8	0.84	0.88	0.89	221	
		447T	582	H	7.0	2.3	2.4	76.2	25	55	2426	82.0	1.15	1780	95.8	96.2	96.2	0.70	0.80	0.85	230	
		504/5T	582	H	7.0	2.3	2.4	76.2	25	55	2426	82.0	1.15	1780	95.8	96.2	96.2	0.70	0.80	0.85	230	
		447T	871	J	7.8	2.7	2.8	134	14	31	2615	73.0	1.15	1190	94.5	95.4	95.8	0.60	0.73	0.79	249	
		504/5T	871	J	7.8	2.7	2.8	134	14	31	2615	73.0	1.15	1190	94.5	95.4	95.8	0.60	0.73	0.79	249	
		449T	1164	K	7.5	2.8	3.0	161	13	29	3581	66.0	1.15	890	92.4	94.5	95.0	0.52	0.63	0.70	283	
		586/7T	1164	G	5.7	1.2	2.1	350	65	143	4167	75.0	1.15	890	94.1	94.5	95.0	0.60	0.71	0.76	261	
250	185	447TS	363	H	8.0	2.4	2.8	50.3	18	40	2492	87.0	1.15	3570	95.0	95.4	95.8	0.83	0.89	0.90	269	
		504/5TS	363	H	8.0	2.4	2.8	50.3	18	40	2492	88.0	1.15	3570	95.0	95.4	95.8	0.83	0.89	0.90	269	
		447T	728	H	7.0	2.1	2.3	89.6	30	66	2646	82.0	1.15	1780	95.4	96.2	96.2	0.72	0.81	0.85	284	
		504/5T	728	H	7.0	2.1	2.3	89.6	30	66	2646	77.0	1.15	1780	95.4	96.2	96.2	0.72	0.81	0.85	284	
		586/7T	1088	G	6.0	1.8	2.1	226	33	73	3859	77.0	1.15	1190	93.6	95.4	95.8	0.67	0.75	0.80	303	
		449T	1088	J	8.1	2.8	3.0	145	10	22	3188	70.0	1.15	1190	95.0	95.4	95.8	0.64	0.76	0.81	299	
		586/7T	1455	G	5.8	1.0	2.1	395	26	57	4410	75.0	1.15	890	94.1	94.5	95.4	0.60	0.71	0.77	316	
300	220	586/7TS	434	G	6.6	1.3	2.2	123	34	75	4410	85.0	1.15	3580	94.5	95.4	95.8	0.86	0.87	0.88	328	
		449TS	435	J	8.4	2.8	3.4	58.1	15	33	3308	84.0	1.15	3575	94.5	95.4	95.8	0.82	0.88	0.90	320	
		586/7T	868	G	6.8	1.8	2.1	161	50	110	4079	83.0	1.15	1790	95.0	95.8	96.2	0.78	0.84	0.85	338	
		449T	871	H	8.0	2.8	2.9	89.6	14	31	3087	80.0	1.15	1785	95.4	95.8	96.2	0.74	0.83	0.86	334	
		586/7T	1306	G	6.1	1.8	2.1	277	35	77	4190	77.0	1.15	1190	93.6	95.4	95.8	0.68	0.75	0.82	351	
		449T	1306	J	7.9	2.8	3.0	145	7	15	3197	70.0	1.15	1190	95.0	95.4	95.8	0.66	0.77	0.82	351	
		586/7T	1737	G	6.2	1.4	2.1	462	24	53	4818	75.0	1.15	895	95.0	95.0	95.4	0.60	0.72	0.77	376	
350	260	586/7TS	507	G	6.6	1.3	2.2	136	35	77	4410	85.0	1.15	3580	94.5	95.4	95.8	0.86	0.87	0.88	388	
		449TS	507	J	8.7	2.8	3.4	68.1	14	31	3638	84.0	1.15	3575	95.0	95.8	95.8	0.82	0.88	0.90	379	
		586/7T	1013	H	7.3	2.3	2.3	179	32	70	4234	83.0	1.15	1790	95.0	95.8	96.2	0.77	0.84	0.86	395	
		449T	1016	J	8.2	2.8	2.9	118	14	31	3418	80.0	1.15	1785	95.4	95.8	96.2	0.70	0.80	0.84	404	
		586/7T	1524	G	6.3	2.1	2.1	328	29	64	4520	77.0	1.15	1190	95.4	95.8	95.8	0.67	0.77	0.81	421	
		586/7T*	2037	G	5.9	1.1	2.0	484	25	55	4895	75.0	1.00	890	94.1	94.5	95.4	0.60	0.64	0.78	439	
400	300	586/7T	1158	G	6.4	1.8	2.0	179	18	40	4366	83.0	1.15	1790	95.4	96.2	96.2	0.80	0.84	0.85	460	
		586/7T	1741	G	6.0	2.0	2.0	368	71	156	4983	77.0	1.15	1190	93.6	95.0	95.8	0.70	0.78	0.82	479	
450	330	586/7T*	1302	G	6.5	1.8	2.0	213	24	53	4586	83.0	1.15	1790	95.8	96.2	96.2	0.81	0.85	0.86	501	
		586/7T*	1959	G	6.0	1.5	2.1	368	34	75	5005	77.0	1.00	1190	93.6	95.0	95.8	0.69	0.77	0.80	540	
500	370	586/7T	1447	G	6.3	2.1	2.3	256	25	55	4829	83.0	1.00	1790	95.8	96.2	96.2	0.81	0.84	0.85	568	

Fractional - Three Phase - TEFC - NEMA Premium®

Output		Frame	Full Load Torque (ft.lb)	Locked Rotor Current		Locked Rotor Torque Tl/Tn	Break-down Torque Tbl/Tn	Inertia J (lb-ft ²)	Allowable locked rotor time (s)		Weight (lb)	Sound dB(A)	Service Factor	460 V									
				Code	ll/ln				Hot	Cold				Rated speed (rpm)	% of full load						Full load current In (A)		
															Efficiency			Power Factor					
															50	75	100	50	75	100			
0.25	0.18	W56	0.370	M	7.4	3.5	4.0	0.0147	30	66	15.0	65.0	1.15	3460	55.0	62.0	66.0	0.60	0.70	0.75	0.456		
		48	0.370	M	7.4	3.5	4.0	0.0147	30	66	15.0	65.0	1.15	3460	55.0	62.0	66.0	0.60	0.70	0.75	0.456		
		W56	0.740	K	5.6	2.4	3.2	0.0280	28	62	14.6	50.0	1.15	1740	59.5	66.0	70.0	0.48	0.60	0.69	0.468		
		48	0.740	K	5.6	2.4	3.2	0.0280	28	62	14.6	50.0	1.15	1740	59.5	66.0	70.0	0.48	0.60	0.69	0.468		
		56	1.12	J	4.7	1.9	3.0	0.0710	40	88	25.6	50.0	1.15	1160	62.0	68.0	72.0	0.42	0.53	0.62	0.506		
0.33	0.25	W56	0.500	L	7.1	3.2	3.7	0.0147	28	62	15.0	65.0	1.15	3450	59.5	66.0	72.0	0.61	0.71	0.76	0.573		
		48	0.500	L	7.1	3.2	3.7	0.0147	28	62	15.0	65.0	1.15	3450	59.5	66.0	72.0	0.61	0.71	0.76	0.573		
		W56	0.980	L	6.2	2.6	3.5	0.0358	22	48	16.5	50.0	1.15	1740	66.0	72.0	74.0	0.46	0.58	0.68	0.624		
		48	0.980	L	6.2	2.6	3.5	0.0358	22	48	16.5	50.0	1.15	1740	66.0	72.0	74.0	0.46	0.58	0.68	0.624		
		56	1.47	L	5.3	2.2	3.3	0.0888	30	66	28.2	50.0	1.15	1160	64.0	70.0	72.0	0.41	0.52	0.61	0.714		
0.5	0.37	W56	0.750	L	7.7	3.3	3.6	0.0190	18	40	17.4	65.0	1.15	3435	68.0	72.0	74.0	0.64	0.75	0.80	0.784		
		48	0.750	L	7.7	3.3	3.6	0.0190	18	40	17.4	65.0	1.15	3435	68.0	72.0	74.0	0.64	0.75	0.80	0.784		
		W56	1.50	J	6.4	2.3	3.1	0.0520	20	44	20.9	50.0	1.15	1730	74.0	77.0	78.5	0.54	0.67	0.76	0.778		
		48	1.50	J	6.4	2.3	3.1	0.0520	20	44	20.9	50.0	1.15	1730	74.0	77.0	78.5	0.54	0.67	0.76	0.778		
		56	2.23	K	5.6	2.4	3.3	0.1065	26	57	30.9	50.0	1.15	1160	68.0	74.0	75.5	0.41	0.53	0.63	0.976		
0.75	0.55	W56	1.13	L	8.1	3.5	3.6	0.0211	16	35	18.3	65.0	1.15	3440	70.0	75.5	77.0	0.62	0.74	0.80	1.12		
		48	1.13	L	8.1	3.5	3.6	0.0211	16	35	18.3	65.0	1.15	3440	70.0	75.5	77.0	0.62	0.74	0.80	1.12		
		56	2.21	L	7.7	2.4	3.6	0.0842	16	35	30.2	52.0	1.15	1760	75.5	80.0	81.5	0.49	0.62	0.71	1.19		
		56H	3.35	K	6.5	2.9	3.7	0.1419	40	88	36.2	50.0	1.15	1160	77.0	81.5	82.5	0.43	0.55	0.65	1.29		
1	0.75	56	1.48	K	7.8	2.0	3.0	0.0643	22	48	26.2	68.0	1.15	3510	72.0	77.0	78.5	0.65	0.76	0.83	1.44		
		W56	1.51	M	8.8	3.6	3.8	0.0254	10	22	20.5	65.0	1.15	3435	74.0	77.0	78.5	0.63	0.75	0.80	1.50		
		48	1.51	M	8.8	3.6	3.8	0.0254	10	22	20.5	65.0	1.15	3435	74.0	77.0	78.5	0.63	0.75	0.80	1.50		
		56	2.94	M	8.6	2.8	3.0	0.1232	19	42	37.9	52.0	1.15	1765	82.5	84.0	85.5	0.52	0.66	0.75	1.47		
		56H	4.52	J	5.8	2.3	2.8	0.1597	31	68	38.6	50.0	1.15	1145	80.0	82.5	82.5	0.50	0.63	0.72	1.58		
1.5	1.1	56	2.21	L	9.1	2.3	3.0	0.1023	17	37	34.2	68.0	1.15	3520	80.0	82.5	84.0	0.71	0.82	0.88	1.87		
		56H	4.44	K	8.2	2.7	3.0	0.1101	21	46	37.9	52.0	1.15	1750	85.5	86.5	86.5	0.59	0.72	0.79	2.02		
2	1.5	56H	2.94	L	9.9	2.5	3.0	0.1279	13	29	40.1	68.0	1.15	3520	82.5	85.5	85.5	0.73	0.83	0.89	2.47		
		56H	5.94	K	8.2	2.7	3.0	0.1296	15	33	42.3	52.0	1.15	1745	85.5	87.5	86.5	0.60	0.73	0.80	2.72		
3	2.2	56H	4.44	K	9.5	3.0	3.8	0.1663	10	22	48.1	68.0	1.15	3500	84.0	86.5	86.5	0.78	0.87	0.91	3.51		

Fractional - Three Phase - TEFC - Standard Efficiency

Output		Frame	Full Load Torque (ft.lb)	Locked Rotor Current		Locked Rotor Torque Tl/Tn	Break-down Torque Tl/Tn	Inertia J (lb-ft ²)	Allowable locked rotor time (s)		Weight (lb)	Sound dB(A)	Service Factor	460 V							
				Code	I/In				Hot	Cold				Rated speed (rpm)	% of full load			Full load current In (A)			
															Efficiency				Power Factor		
HP	kW													50	75	100	50	75	100		
0.16	0.12	W56	0.480	L	5.1	2.4	2.9	0.0240	43	95	13.5	50.0	1.15	1735	50.5	59.5	62.0	0.48	0.58	0.67	0.363
		48	0.480	L	5.1	2.4	2.9	0.0240	43	95	13.5	50.0	1.15	1735	50.5	59.5	62.0	0.48	0.58	0.67	0.363
		W56	0.730	J	3.9	1.9	2.5	0.0280	43	95	14.3	48.0	1.15	1135	46.0	55.0	59.5	0.45	0.56	0.65	0.389
		48	0.730	J	3.9	1.9	2.5	0.0280	43	95	14.3	48.0	1.15	1135	46.0	55.0	59.5	0.45	0.56	0.65	0.389
0.25	0.18	56	0.370	L	6.4	2.5	3.0	0.0389	60	132	17.2	68.0	1.15	3475	46.0	52.5	57.5	0.75	0.82	0.86	0.457
		W56	0.380	L	6.0	2.8	3.0	0.0126	34	75	13.5	65.0	1.15	3430	48.0	57.5	59.5	0.62	0.71	0.78	0.487
		48	0.380	L	6.0	2.8	3.0	0.0126	34	75	13.5	65.0	1.15	3430	48.0	57.5	59.5	0.62	0.71	0.78	0.487
		56	0.730	M	6.3	2.4	3.0	0.0453	38	84	18.1	52.0	1.15	1765	57.5	66.0	70.0	0.43	0.54	0.62	0.521
		W56	0.750	K	5.3	2.4	2.9	0.0280	30	66	14.3	50.0	1.15	1735	55.0	62.0	66.0	0.48	0.59	0.68	0.503
		48	0.750	K	5.3	2.4	2.9	0.0280	30	66	14.3	50.0	1.15	1735	55.0	62.0	66.0	0.48	0.59	0.68	0.503
		56	1.12	K	5.1	2.3	3.0	0.0710	46	101	19.0	50.0	1.15	1160	55.0	64.0	68.0	0.41	0.52	0.61	0.545
		W56	1.14	J	4.2	2.0	2.5	0.0358	26	57	16.1	48.0	1.15	1135	50.5	59.5	62.0	0.45	0.56	0.65	0.561
48	1.14	J	4.2	2.0	2.5	0.0358	26	57	16.1	48.0	1.15	1135	50.5	59.5	62.0	0.45	0.56	0.65	0.561		
0.33	0.25	56	0.490	L	6.4	2.5	3.0	0.0389	40	88	17.2	68.0	1.15	3485	48.0	57.5	62.0	0.72	0.79	0.84	0.602
		W56	0.500	L	6.1	2.9	3.0	0.0126	28	62	13.5	65.0	1.15	3425	52.5	59.5	62.0	0.60	0.70	0.77	0.657
		48	0.500	L	6.1	2.9	3.0	0.0126	28	62	13.5	65.0	1.15	3425	52.5	59.5	62.0	0.60	0.70	0.77	0.657
		56	0.970	M	7.1	2.3	3.0	0.0517	31	68	19.4	52.0	1.15	1765	64.0	72.0	74.0	0.47	0.58	0.68	0.624
		W56	0.990	K	5.4	2.3	2.7	0.0318	21	46	15.2	50.0	1.15	1730	57.5	64.0	68.0	0.48	0.60	0.70	0.659
		48	0.990	K	5.4	2.3	2.7	0.0318	21	46	15.2	50.0	1.15	1730	57.5	64.0	68.0	0.48	0.60	0.70	0.659
		56	1.47	L	5.5	2.4	3.0	0.0888	36	79	21.8	50.0	1.15	1160	59.5	68.0	70.0	0.42	0.53	0.62	0.723
		W56	1.51	H	4.1	1.8	2.3	0.0439	22	48	17.9	48.0	1.15	1130	55.0	62.0	64.0	0.48	0.59	0.69	0.711
48	1.51	H	4.1	1.8	2.3	0.0439	22	48	17.9	48.0	1.15	1130	55.0	62.0	64.0	0.48	0.59	0.69	0.711		
0.5	0.37	56	0.740	L	7.0	2.6	3.0	0.0453	35	77	19.0	68.0	1.15	3500	55.0	62.0	68.0	0.67	0.75	0.81	0.843
		W56	0.760	K	6.3	2.9	2.9	0.0147	20	44	14.3	65.0	1.15	3400	59.5	66.0	68.0	0.61	0.73	0.80	0.854
		48	0.760	K	6.3	2.9	2.9	0.0147	20	44	14.3	65.0	1.15	3400	59.5	66.0	68.0	0.61	0.73	0.80	0.854
		56	1.47	L	7.0	2.4	3.0	0.0584	20	44	20.9	52.0	1.15	1760	68.0	74.0	77.0	0.48	0.61	0.70	0.862
		W56	1.50	K	6.0	2.6	2.8	0.0399	16	35	17.0	50.0	1.15	1730	62.0	70.0	72.0	0.49	0.62	0.72	0.896
		48	1.50	K	6.0	2.6	2.8	0.0399	16	35	17.0	50.0	1.15	1730	62.0	70.0	72.0	0.49	0.62	0.72	0.896
		56	2.23	K	5.4	2.1	3.0	0.1065	22	48	24.7	50.0	1.15	1160	64.0	70.0	72.0	0.44	0.56	0.65	0.992
		W56	2.29	H	4.4	2.0	2.4	0.0558	17	37	20.7	48.0	1.15	1130	59.5	66.0	68.0	0.47	0.59	0.69	0.990
48	2.29	H	4.4	2.0	2.4	0.0558	17	37	20.7	48.0	1.15	1130	59.5	66.0	68.0	0.47	0.59	0.69	0.990		
0.75	0.55	56	1.12	K	7.0	2.5	2.9	0.0517	23	51	20.3	68.0	1.15	3475	62.0	68.0	72.0	0.70	0.79	0.85	1.13
		W56	1.14	K	6.9	3.0	3.0	0.0169	14	31	15.2	65.0	1.15	3400	66.0	70.0	72.0	0.64	0.76	0.83	1.16
		48	1.14	K	6.9	3.0	3.0	0.0169	14	31	15.2	65.0	1.15	3400	66.0	70.0	72.0	0.64	0.76	0.83	1.16
		56	2.21	K	6.9	2.4	3.0	0.0648	17	37	22.5	52.0	1.15	1755	72.0	77.0	78.5	0.48	0.61	0.72	1.22
		W56	2.25	K	6.5	2.7	2.9	0.0479	12	26	18.7	50.0	1.15	1730	68.0	74.0	75.5	0.52	0.65	0.75	1.22
		48	2.25	K	6.5	2.7	2.9	0.0479	12	26	18.7	50.0	1.15	1730	68.0	74.0	75.5	0.52	0.65	0.75	1.22
		56H	3.36	K	5.8	2.3	3.0	0.1331	21	46	29.5	50.0	1.15	1155	70.0	74.0	75.5	0.46	0.59	0.68	1.34
		56	3.36	K	5.8	2.3	3.0	0.1331	21	46	29.5	50.0	1.15	1155	70.0	74.0	75.5	0.46	0.59	0.68	1.34

Fractional - Three Phase - ODP - Premium Efficiency

Output		Frame	Full Load Torque (ft.lbf)	Locked Rotor Current		Locked Rotor Torque Tl/Tn	Break-down Torque T _b /T _n	Inertia J (lb-ft ²)	Allowable locked rotor time (s)		Weight (lb)	Sound dB(A)	Service Factor	460 V								
				Code	ll/ln				Hot	Cold				Rated speed (rpm)	% of full load						Full load current In (A)	
															Efficiency			Power Factor				
HP	kW													50	75	100	50	75	100			
0.25	0.18	W56	0.370	K	5.8	2.5	3.0	0.0126	29	64	12.6	62.0	1.35	3460	55.0	64.0	66.0	0.53	0.65	0.74	0.463	
		48	0.370	K	5.8	2.5	3.0	0.0126	29	64	12.6	62.0	1.35	3460	55.0	64.0	66.0	0.53	0.65	0.74	0.463	
		56	0.730	M	5.9	2.3	3.3	0.0389	38	84	15.7	52.0	1.35	1765	57.5	64.0	69.5	0.41	0.52	0.61	0.533	
		W56	0.740	K	5.7	2.5	3.4	0.0280	34	75	13.7	50.0	1.35	1740	59.5	68.0	70.0	0.46	0.58	0.67	0.482	
		48	0.740	K	5.7	2.5	3.4	0.0280	34	75	13.7	50.0	1.35	1740	59.5	68.0	70.0	0.46	0.58	0.67	0.482	
		56	1.12	K	4.8	2.1	2.8	0.0622	40	88	17.0	50.0	1.35	1160	55.0	64.0	67.5	0.41	0.52	0.61	0.549	
0.33	0.25	W56	0.500	K	5.9	2.7	3.0	0.0126	25	55	12.8	62.0	1.35	3450	59.5	68.0	70.0	0.53	0.66	0.75	0.598	
		48	0.500	K	5.9	2.7	3.0	0.0126	25	55	12.8	62.0	1.35	3450	59.5	68.0	70.0	0.53	0.66	0.75	0.598	
		W56	0.980	L	6.4	2.7	3.6	0.0358	26	57	14.8	50.0	1.35	1740	64.0	72.0	74.0	0.47	0.59	0.69	0.615	
		48	0.980	L	6.4	2.7	3.6	0.0358	26	57	14.8	50.0	1.35	1740	64.0	72.0	74.0	0.47	0.59	0.69	0.615	
		56	1.47	K	5.0	2.1	2.8	0.0710	35	77	18.3	50.0	1.35	1160	59.5	66.0	71.4	0.42	0.53	0.63	0.698	
0.5	0.37	W56	0.750	K	6.5	3.2	3.5	0.0126	27	59	13.0	62.0	1.25	3440	68.0	74.0	74.0	0.54	0.67	0.76	0.826	
		48	0.750	K	6.5	3.2	3.5	0.0126	27	59	13.0	62.0	1.25	3440	68.0	74.0	74.0	0.54	0.67	0.76	0.826	
		W56	1.49	K	6.4	2.5	3.2	0.0439	23	51	17.6	50.0	1.25	1735	70.0	75.5	78.5	0.53	0.66	0.75	0.789	
		48	1.49	K	6.4	2.5	3.2	0.0439	23	51	17.6	50.0	1.25	1735	70.0	75.5	78.5	0.53	0.66	0.75	0.789	
		56	2.24	J	5.1	2.0	2.6	0.0888	28	62	21.2	50.0	1.25	1155	68.0	74.0	75.3	0.43	0.56	0.66	0.934	
0.75	0.55	W56	1.13	J	6.9	3.0	3.3	0.0169	15	33	15.0	62.0	1.25	3430	72.0	75.5	77.0	0.60	0.73	0.82	1.09	
		48	1.13	J	6.9	3.0	3.3	0.0169	15	33	15.0	62.0	1.25	3430	72.0	75.5	77.0	0.60	0.73	0.82	1.09	
		56	2.21	K	7.3	2.5	3.0	0.0712	21	46	23.4	52.0	1.25	1760	74.0	78.5	81.1	0.52	0.65	0.74	1.15	
		56H	3.35	J	5.9	2.2	2.8	0.1685	33	73	34.4	50.0	1.15	1160	75.5	80.0	81.7	0.45	0.58	0.67	1.26	
1	0.75	W56	1.51	K	7.0	3.1	3.3	0.0190	13	29	16.1	62.0	1.25	3420	74.0	75.5	77.0	0.61	0.74	0.83	1.47	
		48	1.51	K	7.0	3.1	3.3	0.0190	13	29	16.1	62.0	1.25	3420	74.0	75.5	77.0	0.61	0.74	0.83	1.47	
		56	2.94	L	7.6	2.8	3.2	0.0842	17	37	26.2	52.0	1.15	1760	78.5	82.5	83.5	0.49	0.63	0.72	1.57	
		56H	4.47	K	6.2	2.4	3.0	0.1951	26	57	38.8	50.0	1.15	1160	77.0	81.5	82.5	0.45	0.58	0.68	1.68	
1.5	1.1	W56	2.27	K	8.0	3.3	3.6	0.0294	12	26	20.9	62.0	1.15	3420	82.5	84.0	84.0	0.65	0.78	0.85	1.93	
		48	2.27	K	8.0	3.3	3.6	0.0294	12	26	20.9	62.0	1.15	3420	82.5	84.0	84.0	0.65	0.78	0.85	1.93	
		56H	4.42	L	8.8	2.9	3.5	0.1296	14	31	36.8	52.0	1.15	1760	84.0	85.5	86.5	0.53	0.66	0.76	2.10	
2	1.5	56H	2.95	K	8.9	2.2	3.3	0.1151	14	31	37.0	62.0	1.15	3510	84.0	85.5	85.5	0.77	0.86	0.91	2.42	
		56H	5.96	K	7.7	2.6	3.2	0.1168	17	37	35.5	52.0	1.15	1740	85.5	86.5	86.5	0.61	0.74	0.81	2.69	
3	2.2	56H	4.47	J	8.0	2.3	3.0	0.1279	9	20	43.7	62.0	1.15	3480	84.0	85.5	85.5	0.76	0.86	0.90	3.59	
		56H	8.96	K	7.6	2.7	3.0	0.1419	12	26	43.0	52.0	1.15	1735	86.5	86.5	86.9	0.59	0.72	0.80	3.97	

Fractional - Three Phase - ODP - Standard Efficiency

Output		Frame	Full Load Torque (ft.lb)	Locked Rotor Current		Locked Rotor Torque Tl/Tn	Break-down Torque Tb/Tn	Inertia J (lb-ft ²)	Allowable locked rotor time (s)		Weight (lb)	Sound dB(A)	Service Factor	460 V							Full load current In (A)
				Code	ll/In				Hot	Cold				Rated speed (rpm)	% of full load			Full load current In (A)			
															Efficiency				Power Factor		
HP	kW													50	75	100	50	75	100		
0.16	0.12	W56	0.480	L	5.1	2.4	2.9	0.0240	43	95	13.5	50.0	1.15	1735	50.5	59.5	62.0	0.48	0.58	0.67	0.363
		48	0.480	L	5.1	2.4	2.9	0.0240	43	95	13.5	50.0	1.15	1735	50.5	59.5	62.0	0.48	0.58	0.67	0.363
		W56	0.730	J	3.9	1.9	2.5	0.0280	43	95	14.3	48.0	1.15	1135	46.0	55.0	59.5	0.45	0.56	0.65	0.389
		48	0.730	J	3.9	1.9	2.5	0.0280	43	95	14.3	48.0	1.15	1135	46.0	55.0	59.5	0.45	0.56	0.65	0.389
0.25	0.18	56	0.370	L	6.4	2.5	3.0	0.0389	60	132	17.2	68.0	1.15	3475	46.0	52.5	57.5	0.75	0.82	0.86	0.457
		W56	0.380	L	6.0	2.8	3.0	0.0126	34	75	13.5	65.0	1.15	3430	48.0	57.5	59.5	0.62	0.71	0.78	0.487
		48	0.380	L	6.0	2.8	3.0	0.0126	34	75	13.5	65.0	1.15	3430	48.0	57.5	59.5	0.62	0.71	0.78	0.487
		56	0.730	M	6.3	2.4	3.0	0.0453	38	84	18.1	52.0	1.15	1765	57.5	66.0	70.0	0.43	0.54	0.62	0.521
		W56	0.750	K	5.3	2.4	2.9	0.0280	30	66	14.3	50.0	1.15	1735	55.0	62.0	66.0	0.48	0.59	0.68	0.503
		48	0.750	K	5.3	2.4	2.9	0.0280	30	66	14.3	50.0	1.15	1735	55.0	62.0	66.0	0.48	0.59	0.68	0.503
		56	1.12	K	5.1	2.3	3.0	0.0710	46	101	19.0	50.0	1.15	1160	55.0	64.0	68.0	0.41	0.52	0.61	0.545
		W56	1.14	J	4.2	2.0	2.5	0.0358	26	57	16.1	48.0	1.15	1135	50.5	59.5	62.0	0.45	0.56	0.65	0.561
48	1.14	J	4.2	2.0	2.5	0.0358	26	57	16.1	48.0	1.15	1135	50.5	59.5	62.0	0.45	0.56	0.65	0.561		
0.33	0.25	56	0.490	L	6.4	2.5	3.0	0.0389	40	88	17.2	68.0	1.15	3485	48.0	57.5	62.0	0.72	0.79	0.84	0.602
		W56	0.500	L	6.1	2.9	3.0	0.0126	28	62	13.5	65.0	1.15	3425	52.5	59.5	62.0	0.60	0.70	0.77	0.657
		48	0.500	L	6.1	2.9	3.0	0.0126	28	62	13.5	65.0	1.15	3425	52.5	59.5	62.0	0.60	0.70	0.77	0.657
		56	0.970	M	7.1	2.3	3.0	0.0517	31	68	19.4	52.0	1.15	1765	64.0	72.0	74.0	0.47	0.58	0.68	0.624
		W56	0.990	K	5.4	2.3	2.7	0.0318	21	46	15.2	50.0	1.15	1730	57.5	64.0	68.0	0.48	0.60	0.70	0.659
		48	0.990	K	5.4	2.3	2.7	0.0318	21	46	15.2	50.0	1.15	1730	57.5	64.0	68.0	0.48	0.60	0.70	0.659
		56	1.47	L	5.5	2.4	3.0	0.0888	36	79	21.8	50.0	1.15	1160	59.5	68.0	70.0	0.42	0.53	0.62	0.723
		W56	1.51	H	4.1	1.8	2.3	0.0439	22	48	17.9	48.0	1.15	1130	55.0	62.0	64.0	0.48	0.59	0.69	0.711
48	1.51	H	4.1	1.8	2.3	0.0439	22	48	17.9	48.0	1.15	1130	55.0	62.0	64.0	0.48	0.59	0.69	0.711		
0.5	0.37	56	0.740	L	7.0	2.6	3.0	0.0453	35	77	19.0	68.0	1.15	3500	55.0	62.0	68.0	0.67	0.75	0.81	0.843
		W56	0.760	K	6.3	2.9	2.9	0.0147	20	44	14.3	65.0	1.15	3400	59.5	66.0	68.0	0.61	0.73	0.80	0.854
		48	0.760	K	6.3	2.9	2.9	0.0147	20	44	14.3	65.0	1.15	3400	59.5	66.0	68.0	0.61	0.73	0.80	0.854
		56	1.47	L	7.0	2.4	3.0	0.0584	20	44	20.9	52.0	1.15	1760	68.0	74.0	77.0	0.48	0.61	0.70	0.862
		W56	1.50	K	6.0	2.6	2.8	0.0399	16	35	17.0	50.0	1.15	1730	62.0	70.0	72.0	0.49	0.62	0.72	0.896
		48	1.50	K	6.0	2.6	2.8	0.0399	16	35	17.0	50.0	1.15	1730	62.0	70.0	72.0	0.49	0.62	0.72	0.896
		56	2.23	K	5.4	2.1	3.0	0.1065	22	48	24.7	50.0	1.15	1160	64.0	70.0	72.0	0.44	0.56	0.65	0.992
		W56	2.29	H	4.4	2.0	2.4	0.0558	17	37	20.7	48.0	1.15	1130	59.5	66.0	68.0	0.47	0.59	0.69	0.990
48	2.29	H	4.4	2.0	2.4	0.0558	17	37	20.7	48.0	1.15	1130	59.5	66.0	68.0	0.47	0.59	0.69	0.990		
0.75	0.55	56	1.12	K	7.0	2.5	2.9	0.0517	23	51	20.3	68.0	1.15	3475	62.0	68.0	72.0	0.70	0.79	0.85	1.13
		W56	1.14	K	6.9	3.0	3.0	0.0169	14	31	15.2	65.0	1.15	3400	66.0	70.0	72.0	0.64	0.76	0.83	1.16
		48	1.14	K	6.9	3.0	3.0	0.0169	14	31	15.2	65.0	1.15	3400	66.0	70.0	72.0	0.64	0.76	0.83	1.16
		56	2.21	K	6.9	2.4	3.0	0.0648	17	37	22.5	52.0	1.15	1755	72.0	77.0	78.5	0.48	0.61	0.72	1.22
		W56	2.25	K	6.5	2.7	2.9	0.0479	12	26	18.7	50.0	1.15	1730	68.0	74.0	75.5	0.52	0.65	0.75	1.22
		48	2.25	K	6.5	2.7	2.9	0.0479	12	26	18.7	50.0	1.15	1730	68.0	74.0	75.5	0.52	0.65	0.75	1.22
		56H	3.36	K	5.8	2.3	3.0	0.1331	21	46	29.5	50.0	1.15	1155	70.0	74.0	75.5	0.46	0.59	0.68	1.34
		56	3.36	K	5.8	2.3	3.0	0.1331	21	46	29.5	50.0	1.15	1155	70.0	74.0	75.5	0.46	0.59	0.68	1.34

continued on next page

Fractional - Three Phase - ODP - Standard Efficiency - *continued*

Output		Frame	Full Load Torque (ft.lb)	Locked Rotor Current		Locked Rotor Torque Tl/Tn	Break-down Torque T _b /Tn	Inertia J (lb-ft ²)	Allowable locked rotor time (s)		Weight (lb)	Sound dB(A)	Service Factor	460 V							
				Code	I _L /I _n				Hot	Cold				Rated speed (rpm)	% of full load			Full load current I _n (A)			
															Efficiency				Power Factor		
HP	kW													50	75	100	50	75	100		
1	0.75	56	1.49	K	7.2	2.4	2.9	0.0643	24	53	23.4	68.0	1.15	3480	66.0	72.0	74.0	0.68	0.79	0.84	1.51
		W56	1.52	L	7.7	3.3	3.2	0.0211	11	24	17.0	65.0	1.15	3405	70.0	74.0	74.0	0.66	0.77	0.84	1.51
		48	1.52	L	7.7	3.3	3.2	0.0211	11	24	17.0	65.0	1.15	3405	70.0	74.0	74.0	0.66	0.77	0.84	1.51
		56	2.94	M	7.7	2.7	3.0	0.0842	12	26	26.9	52.0	1.15	1760	74.0	78.5	80.0	0.48	0.62	0.71	1.66
		W56	3.00	K	6.9	2.9	2.9	0.0598	9	20	21.6	50.0	1.15	1725	70.0	75.5	77.0	0.53	0.66	0.76	1.61
		48	3.00	K	6.9	2.9	2.9	0.0598	9	20	21.6	50.0	1.15	1725	70.0	75.5	77.0	0.53	0.66	0.76	1.61
		56H	4.52	J	5.6	2.1	2.6	0.1597	15	33	33.7	50.0	1.15	1145	72.0	75.5	77.0	0.50	0.63	0.73	1.67
		56	4.52	J	5.6	2.1	2.6	0.1597	15	33	33.7	50.0	1.15	1145	72.0	75.5	77.0	0.50	0.63	0.73	1.67
1.5	1.1	56	2.25	J	7.2	2.4	2.7	0.0771	12	26	26.0	68.0	1.15	3460	72.0	75.5	77.0	0.76	0.85	0.90	1.99
		W56	2.26	L	8.5	3.8	3.7	0.0294	9	20	20.7	65.0	1.15	3435	74.0	77.0	77.0	0.64	0.77	0.84	2.13
		48	2.26	L	8.5	3.8	3.7	0.0294	9	20	20.7	65.0	1.15	3435	74.0	77.0	77.0	0.64	0.77	0.84	2.13
		56H	4.44	K	7.5	2.5	3.0	0.1037	9	20	31.3	52.0	1.15	1750	77.0	80.0	81.5	0.54	0.67	0.76	2.23
		56	4.44	K	7.5	2.5	3.0	0.1037	9	20	31.3	52.0	1.15	1750	77.0	80.0	81.5	0.54	0.67	0.76	2.23
2	1.5	56H	2.98	K	7.7	2.3	2.9	0.0963	11	24	30.9	68.0	1.15	3475	75.5	78.5	80.0	0.76	0.86	0.90	2.62
		56	2.98	K	7.7	2.3	2.9	0.0963	11	24	30.9	68.0	1.15	3475	75.5	78.5	80.0	0.76	0.86	0.90	2.62
		56H	5.94	K	7.3	2.4	2.7	0.1232	8	18	35.9	52.0	1.15	1745	80.0	81.5	82.5	0.58	0.72	0.80	2.85
		56	5.94	K	7.3	2.4	2.7	0.1232	8	18	35.9	52.0	1.15	1745	80.0	81.5	82.5	0.58	0.72	0.80	2.85
3	2.2	56H	4.47	K	8.5	2.7	2.8	0.1279	6	13	38.1	68.0	1.15	3480	80.0	81.5	81.5	0.76	0.86	0.90	3.76
		56	4.47	K	8.5	2.7	2.8	0.1279	6	13	38.1	68.0	1.15	3480	80.0	81.5	81.5	0.76	0.86	0.90	3.76

Cooling Tower Motors - Three Phase

Output		Frame	Full Load Torque (ft.lb)	Locked Rotor Current		Locked Rotor Torque Tl/Tn	Break-down Torque Tb/Tn	Inertia J (lb-ft ²)	Allowable locked rotor time (s)		Weight (lb)	Sound dB(A)	Service Factor	460 V							Full load current In (A)	
				Code	II/In				Hot	Cold				Rated speed (rpm)	% of full load			Efficiency	Power Factor			
															50	75	100		50	75		100
HP	kW																					
1	0.75	143/5T	1.49	L	8.2	2.8	3.4	0.0332	22	48	36.4	68.0	1.25	3480	75.0	79.0	81.5	0.63	0.74	0.80	1.44	
		143T	1.49	L	8.2	2.8	3.4	0.0332	22	48	36.4	68.0	1.25	3480	75.0	79.0	81.5	0.63	0.74	0.80	1.44	
		143/5T	2.94	L	8.4	3.2	3.5	0.1172	18	40	40.8	51.0	1.25	1760	80.0	84.0	85.5	0.55	0.68	0.75	1.47	
		143T	2.94	L	8.4	3.2	3.5	0.1172	18	40	40.8	51.0	1.25	1760	80.0	84.0	85.5	0.55	0.68	0.75	1.47	
		143/5T	4.51	K	6.2	3.0	3.0	0.1595	28	62	52.9	49.0	1.25	1150	77.0	82.0	82.5	0.45	0.57	0.66	1.73	
		182/4T	5.92	M	6.0	3.0	3.5	0.3991	22	48	94.8	50.0	1.25	875	74.0	77.0	78.5	0.32	0.42	0.52	2.30	
		182T	5.92	M	6.0	3.0	3.5	0.3991	22	48	94.8	50.0	1.25	875	74.0	77.0	78.5	0.32	0.42	0.52	2.30	
1.5	1.1	143/5T	2.23	L	8.9	3.5	3.8	0.0470	21	46	40.8	68.0	1.25	3490	81.5	84.0	84.0	0.70	0.80	0.84	1.96	
		143T	2.23	L	8.9	3.5	3.8	0.0470	21	46	40.8	68.0	1.25	3490	81.5	84.0	84.0	0.70	0.80	0.84	1.96	
		143/5T	4.43	L	8.4	2.5	3.4	0.1431	14	31	48.5	51.0	1.25	1755	82.5	85.5	86.5	0.60	0.70	0.79	2.02	
		182/4T	6.64	M	7.8	3.2	4.0	0.4879	16	35	70.3	52.0	1.25	1170	84.0	86.5	87.5	0.45	0.54	0.62	2.54	
		182T	6.64	M	7.8	3.2	4.0	0.4879	16	35	70.3	52.0	1.25	1170	84.0	86.5	87.5	0.45	0.54	0.62	2.54	
		182/4T	9.04	J	5.5	2.5	2.6	0.5766	17	37	111	50.0	1.25	860	80.0	82.5	82.5	0.43	0.54	0.62	2.70	
2	1.5	182T	2.94	L	9.5	2.9	4.8	0.1718	47	103	86.0	69.0	1.25	3530	78.5	84.0	85.5	0.68	0.79	0.84	2.62	
		143/5T	2.98	L	8.9	3.5	3.8	0.0605	17	37	51.8	68.0	1.25	3475	82.5	85.5	85.5	0.71	0.80	0.86	2.56	
		143/5T	5.92	K	8.0	2.7	3.2	0.1561	11	24	50.7	51.0	1.25	1750	85.5	86.5	86.5	0.57	0.70	0.79	2.76	
		182/4T	8.89	L	7.5	3.0	3.0	0.6210	31	68	87.5	52.0	1.25	1165	86.5	88.5	88.5	0.46	0.58	0.66	3.23	
		213/5T	11.8	M	7.6	2.4	2.9	1.79	39	86	149	52.0	1.25	875	82.5	84.0	85.5	0.45	0.55	0.65	3.39	
		213T	11.8	M	7.6	2.4	2.9	1.79	39	86	149	52.0	1.25	875	82.5	84.0	85.5	0.45	0.55	0.65	3.39	
3	2.2	182/4T	4.42	K	8.6	2.5	3.8	0.1889	41	90	88.2	69.0	1.25	3515	82.5	86.5	86.5	0.75	0.84	0.88	3.63	
		182T	4.42	K	8.6	2.5	3.8	0.1889	41	90	88.2	69.0	1.25	3515	82.5	86.5	86.5	0.75	0.84	0.88	3.63	
		145T	4.49	J	8.1	3.3	3.6	0.0605	14	31	51.8	68.0	1.25	3460	85.5	86.5	86.5	0.70	0.81	0.86	3.71	
		182T	8.83	K	8.1	2.3	3.4	0.3401	23	51	90.4	56.0	1.25	1760	87.5	88.5	89.5	0.61	0.73	0.79	3.91	
		182/4T	8.83	K	8.1	2.3	3.4	0.3401	23	51	90.4	56.0	1.25	1760	87.5	88.5	89.5	0.61	0.73	0.79	3.91	
		213/5T	13.2	K	7.0	2.0	2.8	1.20	58	128	121	55.0	1.25	1175	86.5	88.5	89.5	0.50	0.63	0.70	4.41	
		213T	13.3	K	7.0	2.0	2.8	1.20	58	128	121	55.0	1.25	1170	86.5	88.5	89.5	0.50	0.63	0.70	4.41	
		213/5T	17.9	K	6.8	2.3	2.8	2.11	44	97	176	52.0	1.25	870	84.0	85.5	85.5	0.50	0.63	0.71	4.55	
5	3.7	182/4T	7.40	J	7.6	2.3	3.5	0.2233	25	55	88.2	69.0	1.25	3500	86.5	88.5	88.5	0.76	0.85	0.89	5.90	
		182/4T	14.8	J	7.5	2.3	3.2	0.4003	15	33	94.8	56.0	1.25	1755	88.5	89.5	89.5	0.62	0.74	0.80	6.45	
		213/5T	22.1	J	6.8	1.7	2.6	1.47	57	125	162	55.0	1.25	1170	88.5	89.5	89.5	0.58	0.70	0.76	6.83	
		254/6T	29.4	H	5.3	1.9	2.5	3.41	44	97	258	54.0	1.25	880	85.5	87.5	87.5	0.49	0.62	0.70	7.58	
		254T	29.4	H	5.3	1.9	2.5	3.41	44	97	258	54.0	1.25	880	85.5	87.5	87.5	0.49	0.62	0.70	7.58	

continued on next page

Cooling Tower Motors - Three Phase - continued

Output		Frame	Full Load Torque (ft.lb)	Locked Rotor Current		Locked Rotor Torque Tl/Tn	Break-down Torque Tlb/Tln	Inertia J (lb-ft ²)	Allowable locked rotor time (s)		Weight (lb)	Sound dB(A)	Service Factor	460 V							Full load current I _n (A)
				Code	I _L /I _n				Hot	Cold				Rated speed (rpm)	% of full load			Power Factor			
															50	75	100	50	75	100	
7.5	5.5	213/5T	11.0	H	7.2	2.1	3.0	0.4665	27	59	139	72.0	1.25	3520	87.5	89.5	89.5	0.75	0.84	0.88	8.76
		213T	11.0	H	7.2	2.1	3.0	0.4665	27	59	139	72.0	1.25	3520	87.5	89.5	89.5	0.75	0.84	0.88	8.76
		182/4T	11.1	J	8.2	2.7	3.3	0.2242	17	37	92.6	69.0	1.25	3485	88.5	89.5	89.5	0.75	0.84	0.88	8.76
		213/5T	22.0	H	7.1	2.2	3.1	1.34	20	44	154	58.0	1.25	1765	89.5	91.0	91.7	0.66	0.76	0.82	9.18
		213T	22.0	H	7.1	2.2	3.1	1.34	20	44	154	58.0	1.25	1765	89.5	91.0	91.7	0.66	0.76	0.82	9.18
		215T	22.0	H	7.1	2.2	3.1	1.34	20	44	154	58.0	1.25	1765	89.5	91.0	91.7	0.66	0.76	0.82	9.18
		254/6T	33.1	H	6.8	2.5	3.0	3.92	30	66	262	59.0	1.25	1175	89.5	90.2	91.0	0.63	0.74	0.80	9.48
		254T	33.1	H	6.8	2.5	3.0	3.92	30	66	262	59.0	1.25	1175	89.5	90.2	91.0	0.63	0.74	0.80	9.48
		254/6T	44.2	G	5.3	2.0	2.5	4.43	33	73	284	54.0	1.25	880	85.5	87.5	87.5	0.50	0.63	0.71	11.1
		284T	44.2	G	5.6	2.0	2.4	7.20	34	75	344	54.0	1.25	880	87.5	88.5	88.5	0.60	0.72	0.78	10.0
10	7.5	213/5T	14.7	H	7.2	2.2	2.9	0.6362	24	53	163	72.0	1.25	3520	89.5	90.2	90.2	0.79	0.87	0.90	11.6
		213/5T	29.4	H	6.4	2.0	3.0	1.51	17	37	172	58.0	1.25	1765	91.0	91.7	91.7	0.66	0.77	0.83	12.4
		254/6T	44.1	H	6.5	2.3	2.8	4.43	26	57	289	59.0	1.25	1175	90.2	91.0	91.0	0.63	0.74	0.78	13.3
		254T	44.1	H	6.5	2.3	2.8	4.43	26	57	289	59.0	1.25	1175	90.2	91.0	91.0	0.63	0.74	0.78	13.3
		256T	44.1	H	6.5	2.3	2.8	4.43	26	57	289	59.0	1.25	1175	90.2	91.0	91.0	0.63	0.74	0.78	13.3
		284/6T	58.9	G	5.6	2.0	2.4	7.20	32	70	373	54.0	1.25	880	89.5	90.2	90.2	0.61	0.72	0.78	13.4
		284T	58.9	G	5.6	2.0	2.4	7.20	32	70	373	54.0	1.25	880	89.5	90.2	90.2	0.61	0.72	0.78	13.4
15	11	254/6T	22.0	G	6.7	2.2	2.7	1.26	25	55	236	72.0	1.25	3530	89.5	91.0	91.0	0.77	0.85	0.88	17.2
		254T	22.0	G	6.7	2.2	2.7	1.26	25	55	236	72.0	1.25	3530	89.5	91.0	91.0	0.77	0.85	0.88	17.2
		213/5T	22.1	H	7.6	2.4	2.8	0.6362	14	31	163	72.0	1.25	3510	90.2	91.0	91.0	0.76	0.85	0.89	17.0
		254/6T	44.0	G	6.4	2.3	2.7	2.62	17	37	251	64.0	1.25	1765	91.0	91.7	92.4	0.68	0.78	0.83	18.0
		254T	44.0	G	6.4	2.3	2.7	2.62	17	37	251	64.0	1.25	1765	91.0	91.7	92.4	0.68	0.78	0.83	18.0
		256T	44.0	G	6.4	2.3	2.7	2.62	17	37	251	64.0	1.25	1765	91.0	91.7	92.4	0.68	0.78	0.83	18.0
		284T	66.1	G	6.4	2.3	2.7	7.85	20	44	379	59.0	1.25	1175	91.0	91.7	91.7	0.69	0.80	0.84	17.9
		284/6T	66.1	G	6.4	2.3	2.7	7.85	20	44	379	59.0	1.25	1175	91.0	91.7	91.7	0.69	0.80	0.84	17.9
20	15	284/6T	88.3	G	5.5	2.0	2.3	8.18	25	55	417	54.0	1.25	880	85.5	90.0	90.2	0.62	0.72	0.78	19.6
		254/6T	29.4	G	6.1	2.0	2.4	1.54	21	46	269	72.0	1.25	3520	91.0	91.7	91.0	0.82	0.87	0.89	23.2
		256T	29.4	G	6.1	2.0	2.4	1.54	21	46	269	72.0	1.25	3520	91.0	91.7	91.0	0.82	0.87	0.89	23.2
		254/6T	58.7	H	6.9	2.3	2.7	3.10	15	33	291	64.0	1.25	1765	91.7	92.4	93.0	0.68	0.79	0.84	24.1
		284T	58.7	G	6.0	2.3	2.6	5.11	27	59	370	64.0	1.25	1765	92.4	93.0	93.0	0.70	0.80	0.84	24.1
		284/6T	88.2	G	6.2	2.3	2.6	9.16	16	35	426	59.0	1.25	1175	91.0	91.7	91.7	0.70	0.80	0.85	24.2
		324/6T	118	G	5.0	1.9	2.2	9.37	27	59	452	56.0	1.25	880	89.5	91.0	91.0	0.54	0.66	0.73	28.3
324T	118	G	5.0	1.9	2.2	9.37	27	59	452	56.0	1.25	880	89.5	91.0	91.0	0.54	0.66	0.73	28.3		

continued on next page

Cooling Tower Motors - Three Phase - continued

HP	kW	Frame	Full Load Torque (ft.lb)	Locked Rotor Current		Locked Rotor Torque Tl/Tn	Break-down Torque Tl/Tn	Inertia J (lb-ft ²)	Allowable locked rotor time (s)		Weight (lb)	Sound dB(A)	Service Factor	460 V							
				Code	II/In				Hot	Cold				Rated speed (rpm)	% of full load			Full load current In (A)			
															Efficiency				Power Factor		
			50	75	100	50	75	100													
25	18.5	284/6TS	36.6	G	6.3	2.0	2.5	2.69	17	37	362	72.0	1.25	3535	91.0	91.7	91.7	0.82	0.87	0.89	28.5
		284TS	36.6	G	6.3	2.0	2.5	2.69	17	37	362	72.0	1.25	3535	91.0	91.7	91.7	0.82	0.87	0.89	28.5
		284T	73.4	G	6.2	2.4	2.7	5.11	24	53	388	64.0	1.25	1765	92.4	93.0	93.6	0.70	0.80	0.84	29.5
		284/6T	73.4	G	6.2	2.4	2.7	5.11	24	53	388	64.0	1.25	1765	92.4	93.0	93.6	0.70	0.80	0.84	29.5
		324/6T	110	G	6.2	2.1	2.6	11.5	26	57	560	62.0	1.25	1180	91.7	93.0	93.0	0.65	0.77	0.82	30.4
		324T	110	G	6.2	2.1	2.6	11.5	26	57	560	62.0	1.25	1180	91.7	93.0	93.0	0.65	0.77	0.82	30.4
		326T	110	G	6.2	2.1	2.6	11.5	26	57	560	62.0	1.25	1180	91.7	93.0	93.0	0.65	0.77	0.82	30.4
		324/6T	147	G	5.2	2.0	2.3	11.9	23	51	509	56.0	1.25	880	89.5	91.0	91.0	0.51	0.64	0.71	35.9
		326T	147	G	5.2	2.0	2.3	11.9	23	51	509	56.0	1.25	880	89.5	91.0	91.0	0.51	0.64	0.71	35.9
30	22	284/6TS	44.0	G	6.3	2.0	2.5	3.37	15	33	392	72.0	1.25	3535	91.7	91.7	91.7	0.82	0.87	0.89	33.8
		324T	87.6	G	6.2	2.1	2.4	8.18	26	57	463	66.0	1.25	1775	92.4	93.6	93.6	0.72	0.81	0.84	35.1
		284/6T	88.1	G	6.1	2.4	2.4	5.85	20	44	437	64.0	1.25	1765	93.0	93.0	93.6	0.70	0.80	0.84	35.1
		324/6T	132	G	6.2	2.3	2.6	13.2	21	46	628	62.0	1.25	1180	91.7	93.0	93.0	0.65	0.76	0.82	36.2
		326T	132	G	6.2	2.3	2.6	13.2	21	46	628	62.0	1.25	1180	91.7	93.0	93.0	0.65	0.76	0.82	36.2
		364/5T	132	G	6.2	1.9	2.4	13.2	27	59	781	66.0	1.25	1180	93.0	93.6	93.0	0.72	0.81	0.85	34.9
		364/5T	177	G	6.2	1.7	2.4	23.5	20	44	803	60.0	1.25	880	92.4	92.4	92.4	0.63	0.74	0.80	37.0
40	30	324/6TS	58.3	G	6.3	2.3	2.4	4.90	22	48	547	78.0	1.25	3555	91.7	92.4	92.4	0.82	0.87	0.89	45.8
		324TS	58.3	G	6.3	2.3	2.4	4.90	22	48	547	78.0	1.25	3555	91.7	92.4	92.4	0.82	0.87	0.89	45.8
		324/6T	117	G	6.1	2.2	2.4	9.16	20	44	492	66.0	1.25	1775	93.6	94.1	94.1	0.72	0.80	0.85	47.1
		324T	117	G	6.1	2.2	2.4	9.16	20	44	492	66.0	1.25	1775	93.6	94.1	94.1	0.72	0.80	0.85	47.1
		326T	117	G	6.1	2.2	2.4	9.16	20	44	492	66.0	1.25	1775	93.6	94.1	94.1	0.72	0.80	0.85	47.1
		364/5T	175	G	6.4	2.0	2.4	29.0	21	46	833	66.0	1.25	1185	93.6	93.6	94.1	0.73	0.82	0.86	46.5
		364/5T	235	H	6.7	1.7	2.3	29.0	18	40	875	60.0	1.25	880	92.4	93.0	92.4	0.66	0.76	0.81	50.3
50	37	324/6TS	73.0	F	6.2	2.2	2.3	5.75	23	51	584	78.0	1.25	3550	93.0	93.0	93.0	0.83	0.87	0.89	56.1
		326TS	73.0	F	6.2	2.2	2.3	5.75	23	51	584	78.0	1.25	3550	93.0	93.0	93.0	0.83	0.87	0.89	56.1
		324/6T	146	G	6.2	2.3	2.7	9.16	15	33	536	66.0	1.25	1775	93.0	94.1	94.5	0.66	0.77	0.83	59.2
		364/5T	220	G	6.4	2.0	2.4	32.4	18	40	869	66.0	1.25	1180	93.6	94.1	94.1	0.74	0.83	0.86	57.4
		404/5T	220	G	6.3	2.0	2.4	32.4	20	44	975	68.0	1.25	1180	93.6	94.1	94.1	0.73	0.82	0.85	58.1
		404/5T	294	H	6.8	1.7	2.6	34.6	15	33	1012	60.0	1.25	880	93.0	93.0	93.0	0.68	0.78	0.83	60.0
60	45	364/5TS	87.3	G	6.6	2.0	2.6	10.6	14	31	825	79.0	1.25	3560	91.7	93.0	93.6	0.81	0.88	0.90	67.0
		404/5TS	87.4	G	6.5	2.0	2.5	10.6	22	48	911	79.0	1.25	3555	91.7	93.0	93.6	0.82	0.88	0.90	67.0
		364/5T	175	G	6.6	2.4	2.6	22.4	15	33	869	67.0	1.25	1775	94.1	94.5	95.0	0.75	0.83	0.87	68.3
		404/5T	262	H	7.1	2.0	2.3	36.9	20	44	1036	68.0	1.25	1185	94.1	94.5	94.5	0.74	0.82	0.86	69.5
		404/5T	353	H	6.5	1.8	2.7	40.2	13	29	1111	60.0	1.25	880	93.0	93.0	93.0	0.68	0.78	0.83	73.0
75	55	364/5TS	109	G	6.7	2.0	2.6	11.9	10	22	847	79.0	1.25	3555	92.4	93.6	93.6	0.83	0.88	0.90	81.9
		364/5T	219	G	6.4	2.4	2.6	23.3	14	31	919	67.0	1.25	1775	94.5	95.0	95.4	0.73	0.82	0.86	84.1
		404/5T	329	G	6.4	2.0	2.3	40.2	17	37	1089	68.0	1.25	1180	94.1	94.5	94.5	0.74	0.83	0.86	84.9
		444/5T	437	G	6.0	1.8	2.1	73.6	18	40	1444	63.0	1.25	890	93.0	93.6	93.6	0.64	0.74	0.79	93.0

continued on next page

Cooling Tower Motors - Three Phase - continued

Output		Frame	Full Load Torque (ft.lb)	Locked Rotor Current		Locked Rotor Torque Tl/Tn	Break-down Torque Td/Tn	Inertia J (lb-ft ²)	Allowable locked rotor time (s)		Weight (lb)	Sound dB(A)	Service Factor	460 V								
				Code	II/In				Hot	Cold				Rated speed (rpm)	% of full load						Full load current In (A)	
															Efficiency			Power Factor				
															50	75	100	50	75	100		
100	75	404/5TS	146	G	6.5	2.0	2.4	13.2	14	31	1045	79.0	1.25	3545	93.0	94.1	94.1	0.85	0.90	0.91	110	
		404/5T	292	H	7.3	2.4	2.6	29.9	13	29	1140	68.0	1.25	1775	95.0	95.0	95.4	0.77	0.84	0.88	111	
		444/5T	437	G	6.2	2.2	2.6	87.3	20	44	1577	69.0	1.25	1185	94.5	95.0	95.0	0.68	0.78	0.82	121	
		444/5T	582	G	6.0	1.9	2.2	87.3	15	33	1599	63.0	1.25	890	93.6	94.1	94.1	0.63	0.74	0.79	127	
125	90	444/5TS	181	G	6.6	2.0	2.5	33.5	29	64	1599	81.0	1.15	3570	93.6	94.5	95.0	0.82	0.87	0.89	134	
		444/5T	364	G	6.5	2.0	2.3	57.2	27	59	1590	73.0	1.15	1780	95.0	95.4	95.4	0.74	0.82	0.85	139	
		444/5T	547	G	6.4	2.1	2.4	104	19	42	1751	69.0	1.15	1185	95.0	95.4	95.0	0.70	0.79	0.83	143	
		504/5T	728	F	5.8	1.8	2.0	104	23	51	2110	66.0	1.15	890	94.5	94.5	94.5	0.66	0.76	0.80	149	
150	110	445/7T	728	G	6.0	1.8	2.1	104	17	37	1887	63.0	1.15	890	94.5	94.5	94.5	0.64	0.74	0.79	151	
		444/5TS	218	G	6.5	1.8	2.4	39.1	22	48	1709	81.0	1.15	3570	94.1	95.0	95.0	0.83	0.88	0.89	163	
		444/5T	437	G	6.6	2.0	2.5	66.7	27	59	1676	73.0	1.15	1780	95.4	95.8	95.8	0.74	0.82	0.85	170	
		504/5T	653	G	6.2	2.3	2.5	134	29	64	2249	70.0	1.15	1190	94.5	95.4	95.8	0.67	0.78	0.82	176	
		445/7T	656	G	6.2	2.4	2.6	134	20	44	2042	69.0	1.15	1185	95.0	95.4	95.8	0.67	0.78	0.82	176	
		504/5T	873	F	5.8	1.8	2.0	125	21	46	2293	66.0	1.15	890	94.5	94.5	94.5	0.68	0.77	0.81	180	
200	150	445/7T	873	G	6.0	1.9	2.1	125	15	33	2042	63.0	1.15	890	94.5	94.5	94.5	0.64	0.74	0.79	185	
		447/9TS	290	G	6.5	2.0	2.5	44.7	17	37	2168	81.0	1.15	3575	94.1	95.0	95.4	0.81	0.87	0.89	222	
		504/5TS	290	G	6.8	2.0	2.7	44.7	17	37	2168	81.0	1.15	3575	94.1	95.0	95.4	0.81	0.87	0.89	222	
		445/7TS	290	G	6.5	2.1	2.3	44.7	14	31	1914	81.0	1.15	3570	95.0	95.4	95.4	0.86	0.89	0.90	219	
		504/5T	579	G	6.3	2.2	2.2	76.2	22	48	2273	75.0	1.15	1790	95.4	96.2	96.2	0.75	0.83	0.86	228	
		445/7T	580	G	6.8	2.3	2.5	76.2	16	35	2095	73.0	1.15	1785	95.8	96.2	96.2	0.73	0.82	0.85	230	
		444/5T	580	G	6.8	2.3	2.5	76.2	16	35	2095	73.0	1.15	1785	95.8	96.2	96.2	0.73	0.82	0.85	230	
		447/9T	582	G	6.8	2.4	2.5	76.2	16	35	1899	75.0	1.15	1780	95.4	96.2	96.2	0.73	0.82	0.85	230	
		447/9T	871	G	6.6	2.3	2.4	145	15	33	2247	70.0	1.15	1190	95.0	95.4	95.8	0.68	0.79	0.83	237	
		504/5T	871	G	6.2	2.2	2.3	145	21	46	2459	70.0	1.15	1190	95.0	95.4	95.8	0.70	0.80	0.83	237	
		445/7T	874	G	6.3	2.3	2.4	145	15	33	2247	69.0	1.15	1185	95.0	95.4	95.8	0.68	0.79	0.83	237	
		586/7T	1158	G	6.3	1.4	2.1	350	40	88	3334	75.0	1.15	895	95.0	95.4	95.4	0.65	0.75	0.80	247	
250	185	447/9T	1164	H	6.4	2.0	2.2	161	13	29	2509	66.0	1.15	890	94.5	95.0	95.0	0.62	0.73	0.78	254	
		504/5TS	362	G	7.0	2.0	2.4	50.3	23	51	2388	81.0	1.15	3575	95.0	95.8	95.8	0.85	0.89	0.90	269	
		445/7TS	363	F	6.5	2.1	2.3	50.3	18	40	2159	81.0	1.15	3565	95.4	95.8	95.8	0.87	0.90	0.91	266	
		447/9TS	363	F	6.5	2.0	2.2	50.3	18	40	2159	81.0	1.15	3565	95.4	95.8	95.8	0.87	0.90	0.91	266	
		504/5T	726	G	6.5	2.3	2.2	89.6	20	44	2450	75.0	1.15	1785	95.8	96.2	96.2	0.78	0.85	0.87	277	
		445/7T	728	G	6.5	2.3	2.4	89.6	15	33	2079	73.0	1.15	1780	95.8	96.2	96.2	0.75	0.83	0.86	281	
		447/9T	728	G	6.5	2.3	2.4	89.6	15	33	2079	75.0	1.15	1780	95.8	96.2	96.2	0.75	0.83	0.86	281	
		586/7T	1088	G	6.1	1.9	2.1	226	30	66	3206	77.0	1.15	1190	95.0	95.4	95.8	0.68	0.77	0.81	299	
		447/9T	1093	G	6.1	2.4	2.4	145	12	26	2538	70.0	1.15	1185	95.0	95.4	95.8	0.68	0.79	0.83	292	
		586/7T	1447	G	6.2	1.4	2.1	395	40	88	3649	75.0	1.15	895	95.4	95.8	95.8	0.66	0.76	0.81	299	
		L447/9T	1455	G	6.0	2.0	2.3	255	24	53	3550	64.0	1.15	890	95.4	95.4	95.4	0.65	0.75	0.79	308	

continued on next page

Cooling Tower Motors - Three Phase - continued

Output		Frame	Full Load Torque (ft.lb)	Locked Rotor Current		Locked Rotor Torque Tl/Tn	Break-down Torque Tb/Tn	Inertia J (lb-ft ²)	Allowable locked rotor time (s)		Weight (lb)	Sound dB(A)	Service Factor	460 V							Full load current In (A)
				Code	II/In				Hot	Cold				% of full load							
														Efficiency			Power Factor				
HP	kW	Rated speed (rpm)		50	75	100	50	75	100												
300	220	586/7TS	434	F	6.5	1.6	2.2	123	35	77	3382	84.0	1.15	3580	95.0	95.8	95.8	0.87	0.90	0.91	317
		447/9TS	435	G	6.8	2.1	2.4	58.1	14	31	2545	81.0	1.15	3570	95.4	95.8	95.8	0.86	0.89	0.90	320
		586/7T	868	G	6.8	2.3	2.3	161	19	42	3080	78.0	1.15	1790	95.4	96.2	96.2	0.77	0.84	0.86	334
		447/9T	873	G	6.5	2.3	2.3	89.6	16	35	2381	75.0	1.15	1780	95.8	96.2	96.2	0.77	0.84	0.87	330
		447/9T	1306	J	7.7	2.7	3.0	145	10	22	2613	70.0	1.15	1190	95.4	95.8	95.8	0.63	0.75	0.81	356
		586/7T	1306	G	6.0	2.0	2.0	277	30	66	3495	77.0	1.15	1190	95.4	95.8	95.8	0.69	0.78	0.81	356
		586/7T	1737	H	6.7	1.5	2.2	451	40	88	4035	75.0	1.15	895	95.4	95.8	95.8	0.66	0.77	0.81	356
		L447/9T*	1746	G	6.3	2.2	2.4	285	16	35	3704	64.0	1.15	890	95.4	95.4	95.4	0.62	0.73	0.78	371
350	260	586/7TS	507	G	6.6	1.6	2.3	136	28	62	3621	84.0	1.15	3580	95.4	96.2	96.2	0.86	0.90	0.91	373
		447/9TS	508	G	7.0	2.4	2.5	68.1	10	22	2701	81.0	1.15	3570	95.4	96.2	96.2	0.85	0.89	0.90	377
		586/7T	1013	G	6.4	2.0	2.0	179	23	51	2675	78.0	1.15	1790	95.8	96.2	96.2	0.76	0.84	0.86	394
		447/9T	1019	G	6.4	2.5	2.4	118	14	31	2675	75.0	1.15	1780	95.8	96.2	96.2	0.77	0.84	0.86	394
		586/7T	1524	G	6.0	2.0	2.1	328	29	64	3784	77.0	1.15	1190	95.4	95.8	95.8	0.67	0.77	0.81	421
		L447/9T	1524	H	6.9	2.5	2.7	278	23	51	3574	71.0	1.15	1190	95.4	95.8	95.8	0.66	0.77	0.82	415
		586/7T	2026	G	6.4	1.6	2.3	484	34	75	4309	75.0	1.00	895	95.4	95.8	95.8	0.64	0.75	0.80	426
400	300	586/7TS	579	G	6.8	1.8	2.2	122	48	106	3749	84.0	1.15	3580	95.8	96.2	96.2	0.88	0.90	0.91	430
		L447/9TS	580	G	6.7	2.2	2.5	91.9	25	55	3158	88.0	1.15	3575	95.4	95.8	95.8	0.85	0.90	0.91	432
		586/7T	1158	G	6.3	2.0	2.2	179	19	42	3455	78.0	1.15	1790	95.8	96.2	96.2	0.78	0.85	0.86	455
		L447/9T	1158	H	7.0	2.5	2.6	136	21	46	3285	79.0	1.15	1790	95.4	95.8	96.2	0.74	0.82	0.86	455
		586/7T	1741	G	6.0	2.2	2.1	368	29	64	4115	77.0	1.15	1190	95.4	95.8	96.2	0.67	0.77	0.81	483
		L447/9T*	1741	H	6.9	2.4	2.5	278	13	29	3682	71.0	1.15	1190	95.4	95.8	95.8	0.68	0.78	0.82	477
		588/9T	2315	H	6.7	1.5	2.4	537	25	55	4851	75.0	1.00	895	95.0	95.6	95.7	0.62	0.73	0.79	498
450	330	586/7TS	651	F	6.6	2.0	2.3	132	34	75	3918	84.0	1.15	3580	95.8	96.2	96.2	0.88	0.90	0.91	473
		L447/9TS	652	G	7.2	2.4	2.6	100	26	57	3268	88.0	1.00	3575	95.4	95.8	95.8	0.84	0.89	0.91	475
		586/7T	1302	G	6.4	2.2	2.1	213	16	35	3640	78.0	1.15	1790	95.8	96.2	96.2	0.78	0.83	0.85	507
		L447/9T	1306	G	6.9	2.6	2.5	152	22	48	3396	79.0	1.15	1785	95.4	96.2	96.2	0.74	0.83	0.86	501
		586/7T	1959	G	6.1	2.1	2.1	368	25	55	4384	77.0	1.00	1190	95.8	96.2	96.2	0.67	0.77	0.81	532
		588/9T	2605	G	6.6	1.6	2.3	617	27	59	5281	75.0	1.00	895	95.2	95.7	95.8	0.65	0.75	0.81	534
		586/7T	2605	G	6.6	1.6	2.3	617	27	59	5281	75.0	1.00	895	95.2	95.7	95.8	0.65	0.75	0.81	534
500	370	586/7TS	724	G	6.8	2.2	2.4	143	39	86	4086	84.0	1.15	3580	95.8	96.2	96.2	0.88	0.90	0.91	530
		586/7T	1447	G	6.5	2.2	2.3	256	16	35	3912	78.0	1.00	1790	95.8	96.2	96.2	0.80	0.85	0.87	555
		L447/9T*	1451	H	7.2	2.5	2.6	160	22	48	3462	79.0	1.00	1785	95.4	96.2	96.2	0.73	0.82	0.86	561
		586/7T	2177	G	6.0	2.2	2.1	368	25	55	4403	77.0	1.00	1190	95.8	96.2	96.2	0.66	0.76	0.80	603
550	400	588/9TS	795	G	7.4	2.3	2.7	155	33	73	4410	89.0	1.00	3585	96.0	96.5	96.5	0.84	0.89	0.90	578
		586/7T	1592	G	7.1	2.2	2.5	236	16	35	4335	78.0	1.00	1790	96.2	96.4	96.5	0.74	0.82	0.86	605
		588/9T	2395	G	6.5	2.2	2.3	389	30	66	4734	77.0	1.00	1190	95.2	96.0	96.1	0.63	0.74	0.79	661
600	440	588/9TS	867	H	7.4	2.3	2.7	155	33	73	4410	89.0	1.00	3585	96.0	96.5	96.5	0.84	0.89	0.90	650
		586/7T	1737	G	7.1	2.3	2.5	236	16	35	4335	78.0	1.00	1790	96.2	96.4	96.5	0.74	0.82	0.86	665
		588/9T	2612	H	6.5	2.2	2.3	449	31	68	5173	77.0	1.00	1190	95.4	96.1	96.2	0.63	0.74	0.79	743
650	480	588/9TS	939	G	7.1	2.0	2.4	176	56	123	4635	89.0	1.00	3585	96.1	96.6	96.6	0.86	0.90	0.91	685
		588/9T	1881	H	7.4	2.5	2.7	301	22	48	4395	81.0	1.00	1790	96.0	96.5	96.6	0.71	0.81	0.85	734
700	515.2	588/9TS*	1012	G	7.2	2.3	2.5	183	34	75	4805	89.0	1.00	3585	96.2	96.6	96.6	0.86	0.90	0.91	736
		588/9T	2026	G	6.5	2.5	2.2	335	23	51	4584	81.0	1.00	1790	96.2	96.5	96.6	0.76	0.81	0.85	788
750	550	588/9T	2171	G	7.0	2.4	2.5	347	29	64	4952	81.0	1.00	1790	96.3	96.6	96.7	0.70	0.80	0.85	840

Data subject to change without notice.

Close-Coupled Pump - JM - Three Phase - TEFC - Rolled Steel

Output		Frame	Full Load Torque (ft.lb)	Locked Rotor Current		Locked Rotor Torque Tl/Tn	Break-down Torque Tb/Tn	Inertia J (lb-ft ²)	Allowable locked rotor time (s)		Weight (lb)	Sound dB(A)	Service Factor	460 V							
														Rated speed (rpm)	% of full load						Full load current In (A)
															Efficiency			Power Factor			
															50	75	100	50	75	100	
HP	kW	Code	II/In	Hot	Cold																
1	0.75	143/5JM	1.48	K	7.8	2.0	3.0	0.0643	22	48	26.2	68.0	1.15	3510	72.0	77.0	78.5	0.65	0.76	0.83	1.44
		143/5JM	2.94	M	8.6	2.8	3.0	0.1232	19	42	37.9	52.0	1.15	1765	82.5	84.0	85.5	0.52	0.66	0.75	1.47
		143/5JM	4.52	J	5.8	2.3	2.8	0.1597	31	68	38.6	49.0	1.15	1145	80.0	82.5	82.5	0.50	0.63	0.72	1.58
1.5	1.1	143/5JM	2.21	L	9.1	2.3	3.0	0.1023	17	37	34.2	68.0	1.15	3520	80.0	82.5	84.0	0.71	0.82	0.88	1.87
		143/5JM	4.44	K	8.2	2.7	3.0	0.1101	21	46	37.9	52.0	1.15	1750	85.5	86.5	86.5	0.59	0.72	0.79	2.02
		182/4JM	6.64	K	6.9	2.4	3.4	0.2800	55	121	65.9	52.0	1.15	1170	84.0	86.5	87.5	0.50	0.63	0.71	2.22
2	1.5	143/5JM	2.94	L	9.9	2.5	3.0	0.1279	13	29	40.1	68.0	1.15	3520	82.5	85.5	85.5	0.73	0.83	0.89	2.47
		143/5JM	5.94	K	8.2	2.7	3.0	0.1296	15	33	42.3	52.0	1.15	1745	85.5	87.5	86.5	0.60	0.73	0.80	2.72
		182/4JM	8.86	K	7.5	2.6	3.7	0.3424	44	97	76.1	52.0	1.15	1170	84.0	86.5	88.5	0.50	0.62	0.71	3.00
3	2.2	182/4JM	4.42	K	8.8	2.2	3.0	0.1564	22	48	63.5	68.0	1.15	3515	84.0	86.5	86.5	0.71	0.82	0.87	3.67
		182/4JM	8.81	K	8.8	2.2	3.0	0.4017	18	40	80.3	56.0	1.15	1765	87.5	88.5	89.5	0.61	0.74	0.81	3.81
		213/5JM	13.2	H	6.4	2.3	2.9	1.08	46	101	130	55.0	1.15	1175	85.5	88.5	89.5	0.55	0.67	0.74	4.17
5	3.7	182/4JM	7.40	J	7.8	2.2	3.0	0.2079	17	37	78.5	68.0	1.15	3500	87.5	88.5	88.5	0.76	0.85	0.89	5.90
		182/4JM	14.8	J	7.0	2.2	3.0	0.3080	16	35	71.4	56.0	1.15	1750	88.5	89.5	89.5	0.60	0.73	0.80	6.49
		213/5JM	22.0	H	6.0	2.2	2.5	1.26	30	66	144	55.0	1.15	1175	87.5	88.5	89.5	0.59	0.71	0.77	6.74
7.5	5.5	213/5JM	11.0	H	7.6	2.6	3.0	0.5496	15	33	133	70.0	1.15	3530	87.5	88.5	89.5	0.76	0.85	0.89	8.67
		213/5JM	22.0	H	7.3	2.6	3.0	0.9380	22	48	120	60.0	1.15	1770	90.2	91.0	91.7	0.64	0.76	0.82	9.07
		254/6JM	33.1	G	5.4	2.0	2.3	2.34	42	92	204	59.0	1.15	1175	89.5	89.5	91.0	0.58	0.70	0.76	9.98
10	7.5	213/5JM	14.7	H	7.5	2.6	3.0	0.7188	12	26	161	70.0	1.15	3530	89.5	90.2	90.2	0.80	0.88	0.91	11.5
		213/5JM	29.4	H	7.0	2.5	3.0	1.07	15	33	130	60.0	1.15	1760	91.0	91.0	91.7	0.67	0.78	0.84	12.2
		254/6JM	44.1	G	5.4	2.1	2.3	2.83	30	66	234	59.0	1.15	1175	90.2	91.0	91.0	0.57	0.69	0.75	13.8
15	11	254/6JM	22.0	G	6.8	2.0	3.0	0.8718	14	31	175	75.0	1.15	3525	89.5	91.0	91.0	0.73	0.83	0.87	17.4
		254/6JM	43.9	G	6.5	2.5	3.0	2.15	19	42	197	68.0	1.15	1770	91.0	92.4	92.4	0.64	0.76	0.82	18.2
20	15	254/6JM	29.5	G	6.6	2.0	2.9	1.22	12	26	211	75.0	1.15	3515	90.0	91.0	91.0	0.81	0.88	0.91	22.7
		254/6JM	58.7	H	6.7	2.7	3.0	2.64	16	35	227	68.0	1.15	1765	91.7	92.4	93.0	0.66	0.77	0.82	24.7
25	18.5	254/6JM	36.7	J	8.3	2.4	3.4	1.31	8	18	221	75.0	1.15	3530	91.0	91.7	91.7	0.77	0.85	0.89	28.5

Close-Coupled Pump - JM - Three Phase - TEFC - Cast Iron

Output		Frame	Full Load Torque (ft.lb)	Locked Rotor Current		Locked Rotor Torque Tl/Tn	Break-down Torque Tb/Tn	Inertia J (lb-ft ²)	Allowable locked rotor time (s)		Weight (lb)	Sound dB(A)	Service Factor	460 V							Full load current In (A)
														Rated speed (rpm)	% of full load						
															Efficiency			Power Factor			
															50	75	100	50	75	100	
HP	kW	Code	II/In	Hot	Cold																
1	0.75	143/5JM	1.49	L	8.2	2.8	3.4	0.0332	22	48	36.4	68.0	1.25	3480	75.0	79.0	81.5	0.63	0.74	0.80	1.44
		143/5JM	2.94	L	8.4	3.2	3.5	0.1172	18	40	40.8	51.0	1.25	1760	80.0	84.0	85.5	0.55	0.68	0.75	1.47
		143/5JM	4.51	K	6.2	2.6	3.0	0.1595	28	62	52.9	49.0	1.25	1150	77.0	82.0	82.5	0.45	0.57	0.66	1.73
1.5	1.1	143/5JM	2.23	L	8.9	3.5	3.8	0.0470	21	46	40.8	68.0	1.25	3490	81.5	84.0	84.0	0.70	0.80	0.84	1.96
		143/5JM	4.43	L	8.4	2.5	3.4	0.1431	14	31	48.5	51.0	1.25	1755	82.5	85.5	86.5	0.60	0.70	0.79	2.02
		182/4JM	6.64	M	7.8	3.2	4.0	0.4879	16	35	70.3	52.0	1.25	1170	84.0	86.5	87.5	0.45	0.54	0.62	2.54
2	1.5	143/5JM	2.98	L	8.9	3.5	3.8	0.0605	17	37	51.8	68.0	1.25	3475	82.5	85.5	85.5	0.71	0.80	0.86	2.56
		143/5JM	5.92	K	8.0	2.7	3.2	0.1561	11	24	50.7	51.0	1.25	1750	85.5	86.5	86.5	0.57	0.70	0.79	2.76
		182/4JM	8.89	L	7.5	3.0	3.0	0.6210	31	68	87.5	52.0	1.25	1165	86.5	88.5	88.5	0.46	0.58	0.66	3.23
3	2.2	182/4JM	4.42	K	8.6	2.5	3.8	0.1889	41	90	88.2	69.0	1.25	3515	82.5	86.5	86.5	0.75	0.84	0.88	3.63
		182/4JM	8.83	K	8.1	2.3	3.4	0.3401	23	51	90.4	56.0	1.25	1760	87.5	88.5	89.5	0.61	0.73	0.79	3.91
		213/5JM	13.2	K	7.0	2.0	2.8	1.20	58	128	121	55.0	1.25	1175	86.5	88.5	89.5	0.50	0.63	0.70	4.41
5	3.7	182/4JM	7.40	J	7.6	2.3	3.5	0.2233	25	55	88.2	69.0	1.25	3500	86.5	88.5	88.5	0.76	0.85	0.89	5.90
		182/4JM	14.8	J	7.5	2.3	3.2	0.4003	15	33	94.8	56.0	1.25	1755	88.5	89.5	89.5	0.62	0.74	0.80	6.45
		213/5JM	22.1	J	6.8	1.7	2.6	1.47	57	125	162	55.0	1.25	1170	88.5	89.5	89.5	0.58	0.70	0.76	6.83
7.5	5.5	213/5JM	11.0	H	7.2	2.1	3.0	0.4665	27	59	139	72.0	1.25	3520	87.5	89.5	89.5	0.75	0.84	0.88	8.76
		213JM	22.0	H	7.1	2.2	3.1	1.34	20	44	154	58.0	1.25	1765	89.5	91.0	91.7	0.66	0.76	0.82	9.18
		213/5JM	22.0	H	7.1	2.2	3.1	1.34	20	44	154	58.0	1.25	1765	89.5	91.0	91.7	0.66	0.76	0.82	9.18
		254/6JM	33.1	H	6.8	2.5	3.0	3.92	30	66	262	59.0	1.25	1175	89.5	90.2	91.0	0.63	0.74	0.80	9.48
10	7.5	213/5JM	14.7	H	7.2	2.2	2.9	0.6362	24	53	163	72.0	1.25	3520	89.5	90.2	90.2	0.79	0.87	0.90	11.6
		213/5JM	29.4	H	6.4	2.0	3.0	1.51	17	37	172	58.0	1.25	1765	91.0	91.7	91.7	0.66	0.77	0.83	12.4
		215JM	29.4	H	6.4	2.0	3.0	1.51	17	37	172	58.0	1.25	1765	91.0	91.7	91.7	0.66	0.77	0.83	12.4
		254/6JM	44.1	H	6.5	2.3	2.8	4.43	26	57	289	59.0	1.25	1175	90.2	91.0	91.0	0.63	0.74	0.78	13.3
15	11	254/6JM	22.0	G	6.7	2.2	2.7	1.26	25	55	236	72.0	1.25	3530	89.5	91.0	91.0	0.77	0.85	0.88	17.2
		254/6JM	44.0	G	6.4	2.3	2.7	2.62	17	37	251	64.0	1.25	1765	91.0	91.7	92.4	0.68	0.78	0.83	18.0
		284/6JM	66.1	G	6.4	2.3	2.7	7.85	20	44	379	59.0	1.25	1175	91.0	91.7	91.7	0.69	0.80	0.84	17.9
20	15	254/6JM	29.4	G	6.1	2.0	2.4	1.54	21	46	269	72.0	1.25	3520	91.0	91.7	91.0	0.82	0.87	0.89	23.2
		254/6JM	58.7	H	6.9	2.3	2.7	3.10	15	33	291	64.0	1.25	1765	91.7	92.4	93.0	0.68	0.79	0.84	24.1
		284/6JM	88.2	G	6.2	2.3	2.6	9.16	16	35	426	59.0	1.25	1175	91.0	91.7	91.7	0.70	0.80	0.85	24.2
25	18.5	284/6JM	36.6	G	6.3	2.0	2.5	2.69	17	37	362	72.0	1.25	3535	91.0	91.7	91.7	0.82	0.87	0.89	28.5
		284/6JM	73.4	G	6.2	2.4	2.7	5.11	24	53	388	64.0	1.25	1765	92.4	93.0	93.6	0.70	0.80	0.84	29.5
		324/6JM	110	G	6.2	2.1	2.6	11.5	26	57	560	62.0	1.25	1180	91.7	93.0	93.0	0.65	0.77	0.82	30.4
30	22	284/6JM	44.0	G	6.3	2.0	2.5	3.37	15	33	392	72.0	1.25	3535	91.7	91.7	91.7	0.82	0.87	0.89	33.8
		284/6JM	88.1	G	6.1	2.4	2.4	5.85	20	44	437	64.0	1.25	1765	93.0	93.0	93.6	0.70	0.80	0.84	35.1
		324/6JM	132	G	6.2	2.3	2.6	13.2	21	46	628	62.0	1.25	1180	91.7	93.0	93.0	0.65	0.76	0.82	36.2
40	30	324/6JM	58.3	G	6.3	2.3	2.4	4.90	22	48	547	78.0	1.25	3555	91.7	92.4	92.4	0.82	0.87	0.89	45.8
		324/6JM	117	G	6.1	2.2	2.4	9.16	20	44	492	66.0	1.25	1775	93.6	94.1	94.1	0.72	0.80	0.85	47.1
		364/5JM	175	G	6.4	2.0	2.4	29.0	21	46	833	66.0	1.25	1185	93.6	93.6	94.1	0.73	0.82	0.86	46.5

continued on next page

Close-Coupled Pump - JM - Three Phase - TEFC - Cast Iron - *continued*

Output		Frame	Full Load Torque (ft.lb)	Locked Rotor Current		Locked Rotor Torque Tl/Tn	Break-down Torque Tb/Tn	Inertia J (lb-ft ²)	Allowable locked rotor time (s)		Weight (lb)	Sound dB(A)	Service Factor	460 V								
														Rated speed (rpm)	% of full load						Full load current in (A)	
															Efficiency			Power Factor				
															50	75	100	50	75	100		
HP	kW	Code	II/In	Hot	Cold																	
50	37	324/6JM	73.0	F	6.2	2.2	2.3	5.75	23	51	584	78.0	1.25	3550	93.0	93.0	93.0	0.83	0.87	0.89	56.1	
		324/6JM	146	G	6.2	2.3	2.7	9.16	15	33	536	66.0	1.25	1775	93.0	94.1	94.5	0.66	0.77	0.83	59.2	
		364/5JM	220	G	6.4	2.0	2.4	32.4	18	40	869	66.0	1.25	1180	93.6	94.1	94.1	0.74	0.83	0.86	57.4	
60	45	364/5JM	87.3	G	6.6	2.0	2.6	10.6	14	31	825	79.0	1.25	3560	91.7	93.0	93.6	0.81	0.88	0.90	67.0	
		364/5JM	175	G	6.6	2.4	2.6	22.4	15	33	869	67.0	1.25	1775	94.1	94.5	95.0	0.75	0.83	0.87	68.3	
75	55	364/5JM	109	G	6.7	2.0	2.6	11.9	10	22	847	79.0	1.25	3555	92.4	93.6	93.6	0.83	0.88	0.90	81.9	
		364/5JM	219	G	6.4	2.4	2.6	23.3	14	31	919	67.0	1.25	1775	94.5	95.0	95.4	0.73	0.82	0.86	84.1	

Close-Coupled Pump - JP - Three Phase - TEFC - Rolled Steel

Output		Frame	Full Load Torque (ft.lb)	Locked Rotor Current		Locked Rotor Torque Tl/Tn	Break-down Torque Tb/Tn	Inertia J (lb-ft ²)	Allowable locked rotor time (s)		Weight (lb)	Sound dB(A)	Service Factor	460 V							
														Rated speed (rpm)	% of full load						Full load current In (A)
															Efficiency			Power Factor			
															50	75	100	50	75	100	
HP	kW	Code	II/In	Hot	Cold																
1	0.75	143/5JP	1.48	K	7.8	2.0	3.0	0.0643	22	48	26.2	68.0	1.15	3510	72.0	77.0	78.5	0.65	0.76	0.83	1.44
		143/5JP	2.94	M	8.6	2.8	3.0	0.1232	19	42	37.9	52.0	1.15	1765	82.5	84.0	85.5	0.52	0.66	0.75	1.47
		143/5JP	4.52	J	5.8	2.3	2.8	0.1597	31	68	38.6	49.0	1.15	1145	80.0	82.5	82.5	0.50	0.63	0.72	1.58
1.5	1.1	143/5JP	2.21	L	9.1	2.3	3.0	0.1023	17	37	34.2	68.0	1.15	3520	80.0	82.5	84.0	0.71	0.82	0.88	1.87
		143/5JP	4.44	K	8.2	2.7	3.0	0.1101	21	46	37.9	52.0	1.15	1750	85.5	86.5	86.5	0.59	0.72	0.79	2.02
		182/4JP	6.64	K	6.9	2.4	3.4	0.2800	55	121	65.9	52.0	1.15	1170	84.0	86.5	87.5	0.50	0.63	0.71	2.22
2	1.5	143/5JP	2.94	L	9.9	2.5	3.0	0.1279	13	29	40.1	68.0	1.15	3520	82.5	85.5	85.5	0.73	0.83	0.89	2.47
		143/5JP	5.94	K	8.2	2.7	3.0	0.1296	15	33	42.3	52.0	1.15	1745	85.5	87.5	86.5	0.60	0.73	0.80	2.72
		182/4JP	8.86	K	7.5	2.6	3.7	0.3424	44	97	76.1	52.0	1.15	1170	84.0	86.5	88.5	0.50	0.62	0.71	3.00
3	2.2	182/4JP	4.42	K	8.8	2.2	3.0	0.1564	22	48	63.5	68.0	1.15	3515	84.0	86.5	86.5	0.71	0.82	0.87	3.67
		182/4JP	8.81	K	8.8	2.2	3.0	0.4017	18	40	80.3	56.0	1.15	1765	87.5	88.5	89.5	0.61	0.74	0.81	3.81
		213/5JP	13.2	H	6.4	2.3	2.9	1.08	46	101	130	55.0	1.15	1175	85.5	88.5	89.5	0.55	0.67	0.74	4.17
5	3.7	182/4JP	7.40	J	7.8	2.2	3.0	0.2079	17	37	78.5	68.0	1.15	3500	87.5	88.5	88.5	0.76	0.85	0.89	5.90
		182/4JP	14.8	J	7.0	2.2	3.0	0.3080	16	35	71.4	56.0	1.15	1750	88.5	89.5	89.5	0.60	0.73	0.80	6.49
		213/5JP	22.0	H	6.0	2.2	2.5	1.26	30	66	144	55.0	1.15	1175	87.5	88.5	89.5	0.59	0.71	0.77	6.74
7.5	5.5	213/5JP	11.0	H	7.6	2.6	3.0	0.5496	15	33	133	70.0	1.15	3530	87.5	88.5	89.5	0.76	0.85	0.89	8.67
		213/5JP	22.0	H	7.3	2.6	3.0	0.9380	22	48	120	60.0	1.15	1770	90.2	91.0	91.7	0.64	0.76	0.82	9.07
		254/6JP	33.1	G	5.4	2.0	2.3	2.34	42	92	204	59.0	1.15	1175	89.5	89.5	91.0	0.58	0.70	0.76	9.98
10	7.5	213/5JP	14.7	H	7.5	2.6	3.0	0.7188	12	26	161	70.0	1.15	3530	89.5	90.2	90.2	0.80	0.88	0.91	11.5
		213/5JP	29.4	H	7.0	2.5	3.0	1.07	15	33	130	60.0	1.15	1760	91.0	91.0	91.7	0.67	0.78	0.84	12.2
		254/6JP	44.1	G	5.4	2.1	2.3	2.83	30	66	234	59.0	1.15	1175	90.2	91.0	91.0	0.57	0.69	0.75	13.8
15	11	254/6JP	22.0	G	6.8	2.0	3.0	0.8718	14	31	175	75.0	1.15	3525	89.5	91.0	91.0	0.73	0.83	0.87	17.4
		254/6JP	43.9	G	6.5	2.5	3.0	2.15	19	42	197	68.0	1.15	1770	91.0	92.4	92.4	0.64	0.76	0.82	18.2
20	15	254/6JP	29.5	G	6.6	2.0	2.9	1.22	12	26	211	75.0	1.15	3515	90.0	91.0	91.0	0.81	0.88	0.91	22.7
		254/6JP	58.7	H	6.7	2.7	3.0	2.64	16	35	227	68.0	1.15	1765	91.7	92.4	93.0	0.66	0.77	0.82	24.7
25	18.5	254/6JP	36.7	J	8.3	2.4	3.4	1.31	8	18	221	75.0	1.15	3530	91.0	91.7	91.7	0.77	0.85	0.89	28.5

Close-Coupled Pump - JP - Three Phase - TEFC - Cast Iron

Output		Frame	Full Load Torque (ft.lb)	Locked Rotor Current		Locked Rotor Torque Tl/Tn	Break-down Torque Tb/Tn	Inertia J (lb-ft ²)	Allowable locked rotor time (s)		Weight (lb)	Sound dB(A)	Service Factor	460 V								
				Code	II/In				Hot	Cold				Rated speed (rpm)	% of full load						Full load current In (A)	
															Efficiency			Power Factor				
															50	75	100	50	75	100		
1	0.75	143/5JP	1.49	L	8.2	2.8	3.4	0.0332	22	48	36.4	68.0	1.25	3480	75.0	79.0	81.5	0.63	0.74	0.80	1.44	
		143/5JP	2.94	L	8.4	3.2	3.5	0.1172	18	40	40.8	51.0	1.25	1760	80.0	84.0	85.5	0.55	0.68	0.75	1.47	
		143/5JP	4.51	K	6.2	2.6	3.0	0.1595	28	62	52.9	49.0	1.25	1150	77.0	82.0	82.5	0.45	0.57	0.66	1.73	
1.5	1.1	143/5JP	2.23	L	8.9	3.5	3.8	0.0470	21	46	40.8	68.0	1.25	3490	81.5	84.0	84.0	0.70	0.80	0.84	1.96	
		143/5JP	4.43	L	8.4	2.5	3.4	0.1431	14	31	48.5	51.0	1.25	1755	82.5	85.5	86.5	0.60	0.70	0.79	2.02	
		182/4JP	6.64	M	7.8	3.2	4.0	0.4879	16	35	70.3	52.0	1.25	1170	84.0	86.5	87.5	0.45	0.54	0.62	2.54	
2	1.5	143/5JP	2.98	L	8.9	3.5	3.8	0.0605	17	37	51.8	68.0	1.25	3475	82.5	85.5	85.5	0.71	0.80	0.86	2.56	
		143/5JP	5.92	K	8.0	2.7	3.2	0.1561	11	24	50.7	51.0	1.25	1750	85.5	86.5	86.5	0.57	0.70	0.79	2.76	
		182/4JP	8.89	L	7.5	3.0	3.0	0.6210	31	68	87.5	52.0	1.25	1165	86.5	88.5	88.5	0.46	0.58	0.66	3.23	
3	2.2	182/4JP	4.42	K	8.6	2.5	3.8	0.1889	41	90	88.2	69.0	1.25	3515	82.5	86.5	86.5	0.75	0.84	0.88	3.63	
		182/4JP	8.83	K	8.1	2.3	3.4	0.3401	23	51	90.4	56.0	1.25	1760	87.5	88.5	89.5	0.61	0.73	0.79	3.91	
		213/5JP	13.2	K	7.0	2.0	2.8	1.20	58	128	121	55.0	1.25	1175	86.5	88.5	89.5	0.50	0.63	0.70	4.41	
5	3.7	182/4JP	7.40	J	7.6	2.3	3.5	0.2233	25	55	88.2	69.0	1.25	3500	86.5	88.5	88.5	0.76	0.85	0.89	5.90	
		182/4JP	14.8	J	7.5	2.3	3.2	0.4003	15	33	94.8	56.0	1.25	1755	88.5	89.5	89.5	0.62	0.74	0.80	6.45	
		213/5JP	22.1	J	6.8	1.7	2.6	1.47	57	125	162	55.0	1.25	1170	88.5	89.5	89.5	0.58	0.70	0.76	6.83	
7.5	5.5	213/5JP	11.0	H	7.2	2.1	3.0	0.4665	27	59	139	72.0	1.25	3520	87.5	89.5	89.5	0.75	0.84	0.88	8.76	
		213/5JP	22.0	H	7.1	2.2	3.1	1.34	20	44	154	58.0	1.25	1765	89.5	91.0	91.7	0.66	0.76	0.82	9.18	
		254/6JP	33.1	H	6.8	2.5	3.0	3.92	30	66	262	59.0	1.25	1175	89.5	90.2	91.0	0.63	0.74	0.80	9.48	
10	7.5	213/5JP	14.7	H	7.2	2.2	2.9	0.6362	24	53	163	72.0	1.25	3520	89.5	90.2	90.2	0.79	0.87	0.90	11.6	
		213/5JP	29.4	H	6.4	2.0	3.0	1.51	17	37	172	58.0	1.25	1765	91.0	91.7	91.7	0.66	0.77	0.83	12.4	
		254/6JP	44.1	H	6.5	2.3	2.8	4.43	26	57	289	59.0	1.25	1175	90.2	91.0	91.0	0.63	0.74	0.78	13.3	
15	11	254/6JP	22.0	G	6.7	2.2	2.7	1.26	25	55	236	72.0	1.25	3530	89.5	91.0	91.0	0.77	0.85	0.88	17.2	
		254/6JP	44.0	G	6.4	2.3	2.7	2.62	17	37	251	64.0	1.25	1765	91.0	91.7	92.4	0.68	0.78	0.83	18.0	
		284/6JP	66.1	G	6.4	2.3	2.7	7.85	20	44	379	59.0	1.25	1175	91.0	91.7	91.7	0.69	0.80	0.84	17.9	
20	15	254/6JP	29.4	G	6.1	2.0	2.4	1.54	21	46	269	72.0	1.25	3520	91.0	91.7	91.0	0.82	0.87	0.89	23.2	
		254/6JP	58.7	H	6.9	2.3	2.7	3.10	15	33	291	64.0	1.25	1765	91.7	92.4	93.0	0.68	0.79	0.84	24.1	
		284/6JP	88.2	G	6.2	2.3	2.6	9.16	16	35	426	59.0	1.25	1175	91.0	91.7	91.7	0.70	0.80	0.85	24.2	
25	18.5	284/6JP	36.6	G	6.3	2.0	2.5	2.69	17	37	362	72.0	1.25	3535	91.0	91.7	91.7	0.82	0.87	0.89	28.5	
		284/6JP	73.4	G	6.2	2.4	2.7	5.11	24	53	388	64.0	1.25	1765	92.4	93.0	93.6	0.70	0.80	0.84	29.5	
		324/6JP	110	G	6.2	2.1	2.6	11.5	26	57	560	62.0	1.25	1180	91.7	93.0	93.0	0.65	0.77	0.82	30.4	
30	22	284/6JP	44.0	G	6.3	2.0	2.5	3.37	15	33	392	72.0	1.25	3535	91.7	91.7	91.7	0.82	0.87	0.89	33.8	
		284/6JP	88.1	G	6.1	2.4	2.4	5.85	20	44	437	64.0	1.25	1765	93.0	93.0	93.6	0.70	0.80	0.84	35.1	
		324/6JP	132	G	6.2	2.3	2.6	13.2	21	46	628	62.0	1.25	1180	91.7	93.0	93.0	0.65	0.76	0.82	36.2	
40	30	324JP	58.3	G	6.3	2.3	2.4	4.90	22	48	547	78.0	1.25	3555	91.7	92.4	92.4	0.82	0.87	0.89	45.8	
		324/6JP	117	G	6.1	2.2	2.4	9.16	20	44	492	66.0	1.25	1775	93.6	94.1	94.1	0.72	0.80	0.85	47.1	
		364/5JP	175	G	6.4	2.0	2.4	29.0	21	46	833	66.0	1.25	1185	93.6	93.6	94.1	0.73	0.82	0.86	46.5	
50	37	324/6JP	73.0	F	6.2	2.2	2.3	5.75	23	51	584	78.0	1.25	3550	93.0	93.0	93.0	0.83	0.87	0.89	56.1	
		324/6JP	146	G	6.2	2.3	2.7	9.16	15	33	536	66.0	1.25	1775	93.0	94.1	94.5	0.66	0.77	0.83	59.2	
		364/5JP	220	G	6.4	2.0	2.4	32.4	18	40	869	66.0	1.25	1180	93.6	94.1	94.1	0.74	0.83	0.86	57.4	

continued on next page

Close-Coupled Pump - JP - Three Phase - TEFC - Cast Iron - *continued*

Output		Frame	Full Load Torque (ft.lb)	Locked Rotor Current		Locked Rotor Torque Tl/Tn	Break-down Torque Tb/Tn	Inertia J (lb-ft ²)	Allowable locked rotor time (s)		Weight (lb)	Sound dB(A)	Service Factor	460 V							
														Rated speed (rpm)	% of full load			Full load current In (A)			
															Efficiency				Power Factor		
HP	kW			Code	ll/ln				Hot	Cold					50	75	100	50	75	100	
60	45	364/5JP	87.3	G	6.6	2.0	2.6	10.6	14	31	825	79.0	1.25	3560	91.7	93.0	93.6	0.81	0.88	0.90	67.0
		364/5JP	175	G	6.6	2.4	2.6	22.4	15	33	869	67.0	1.25	1775	94.1	94.5	95.0	0.75	0.83	0.87	68.3
		404/5JP	262	H	7.1	2.0	2.3	36.9	20	44	1036	68.0	1.25	1185	94.1	94.5	94.5	0.74	0.82	0.86	69.5
75	55	364/5JP	109	G	6.7	2.0	2.6	11.9	10	22	847	79.0	1.25	3555	92.4	93.6	93.6	0.83	0.88	0.90	81.9
		364/5JP	219	G	6.4	2.4	2.6	23.3	14	31	919	67.0	1.25	1775	94.5	95.0	95.4	0.73	0.82	0.86	84.1
		404/5JP	329	G	6.4	2.0	2.3	40.2	17	37	1089	68.0	1.25	1180	94.1	94.5	94.5	0.74	0.83	0.86	84.9
100	75	404/5JP	146	G	6.5	2.0	2.4	13.2	14	31	1045	79.0	1.25	3545	93.0	94.1	94.1	0.85	0.90	0.91	110
		404/5JP	292	H	7.3	2.4	2.6	29.9	13	29	1140	68.0	1.25	1775	95.0	95.0	95.4	0.77	0.84	0.88	111

Close-Coupled Pump - JM - Three Phase - ODP - Rolled Steel

Output		Frame	Full Load Torque (ft.lb)	Locked Rotor Current		Locked Rotor Torque Tl/Tn	Break-down Torque Tb/Tn	Inertia J (lb-ft ²)	Allowable locked rotor time (s)		Weight (lb)	Sound dB(A)	Service Factor	460 V							
				Code	II/In				Hot	Cold				Rated speed (rpm)	% of full load						Full load current In (A)
															Efficiency			Power Factor			
															50	75	100	50	75	100	
1	0.75	143/5JM	1.48	L	8.3	2.1	3.3	0.0643	22	48	25.4	62.0	1.15	3510	74.0	78.5	80.0	0.66	0.78	0.85	1.38
		143/5JM	2.94	L	8.0	2.9	3.6	0.1101	22	48	34.4	52.0	1.15	1760	81.5	84.0	85.5	0.51	0.65	0.73	1.51
		143/5JM	4.51	K	6.1	2.5	3.0	0.1419	24	53	35.3	49.0	1.15	1150	78.5	81.5	82.5	0.47	0.60	0.69	1.65
1.5	1.1	143/5JM	2.21	K	8.6	2.1	3.3	0.0835	19	42	29.3	62.0	1.15	3510	81.5	84.0	84.0	0.73	0.83	0.89	1.85
		143/5JM	4.42	L	8.7	2.8	3.3	0.1426	15	33	41.9	52.0	1.15	1760	84.0	86.5	86.5	0.56	0.69	0.77	2.07
		182/4JM	6.67	J	6.5	2.0	3.1	0.2178	46	101	56.0	52.0	1.15	1165	84.0	85.5	86.5	0.51	0.63	0.71	2.25
2	1.5	143/5JM	2.95	K	8.9	2.2	3.3	0.1151	14	31	36.8	62.0	1.15	3510	84.0	85.5	85.5	0.77	0.86	0.91	2.42
		143/5JM	5.96	K	7.7	2.6	3.2	0.1168	17	37	39.0	52.0	1.15	1740	85.5	86.5	86.5	0.61	0.74	0.81	2.69
		182/4JM	8.89	J	6.6	2.0	3.0	0.2800	33	73	66.1	52.0	1.15	1165	85.5	86.5	87.5	0.53	0.66	0.73	2.95
3	2.2	143/5JM	4.47	J	8.0	2.3	3.0	0.1279	9	20	39.9	62.0	1.15	3480	84.0	85.5	85.5	0.76	0.86	0.90	3.59
		182/4JM	8.81	K	8.4	2.2	3.3	0.3092	15	33	65.9	55.0	1.15	1765	87.5	88.5	89.5	0.60	0.73	0.80	3.86
		213/5JM	13.2	H	5.9	2.1	2.6	0.8104	39	86	98.3	55.0	1.15	1175	86.5	87.5	88.5	0.56	0.68	0.75	4.16
5	3.7	182/4JM	7.38	J	7.6	1.9	3.0	0.1386	12	26	58.7	65.0	1.15	3510	85.5	86.5	86.5	0.73	0.83	0.88	6.10
		182/4JM	14.7	J	7.2	2.0	3.1	0.4003	12	26	79.8	55.0	1.15	1760	88.5	88.5	89.5	0.63	0.76	0.82	6.33
		213/5JM	22.0	H	5.9	2.2	2.5	1.08	29	64	118	55.0	1.15	1175	88.5	89.5	89.5	0.58	0.70	0.77	6.74
7.5	5.5	182/4JM	11.1	H	7.4	1.8	2.9	0.1818	10	22	69.9	65.0	1.15	3500	88.5	88.5	88.5	0.76	0.85	0.90	8.67
		213/5JM	22.0	H	7.2	2.4	3.2	1.03	13	29	116	59.0	1.15	1770	89.5	90.2	91.0	0.65	0.77	0.82	9.25
		254/6JM	33.1	F	5.1	2.0	2.3	2.00	37	81	187	59.0	1.15	1175	88.5	90.2	90.2	0.56	0.68	0.75	10.2
10	7.5	213/5JM	14.7	H	6.8	2.0	2.8	0.4651	11	24	117	66.0	1.15	3535	88.5	89.5	89.5	0.74	0.84	0.88	12.0
		213/5JM	29.3	H	7.0	2.5	3.5	1.30	14	31	137	59.0	1.15	1770	90.2	91.0	91.7	0.64	0.77	0.83	12.4
		254/6JM	43.9	G	5.3	2.1	2.3	2.50	34	75	209	59.0	1.15	1180	91.0	91.7	91.7	0.56	0.68	0.74	13.9
15	11	213/5JM	22.0	G	6.8	2.1	2.8	0.5512	8	18	131	66.0	1.15	3535	90.2	90.2	90.2	0.77	0.86	0.89	17.2
		254/6JM	43.8	H	6.7	2.4	3.0	1.82	17	37	175	64.0	1.15	1775	91.7	92.4	93.0	0.62	0.73	0.80	18.6
20	15	254/6JM	29.4	G	6.0	1.8	2.4	0.7848	13	29	151	70.0	1.15	3525	90.2	91.0	91.0	0.76	0.83	0.87	23.8
		254/6JM	58.5	G	6.3	2.4	2.9	2.23	15	33	198	64.0	1.15	1770	92.4	92.4	93.0	0.63	0.74	0.81	25.0
25	18.5	254/6JM	36.7	G	6.3	1.8	2.9	0.9155	9	20	174	70.0	1.15	3530	91.0	91.7	91.7	0.73	0.83	0.87	29.1

Close-Coupled Pump - JM - Three Phase - ODP - Cast Iron

Output		Frame	Full Load Torque (ft.lb)	Locked Rotor Current		Locked Rotor Torque Tl/Tn	Break-down Torque Tb/Tn	Inertia J (lb-ft ²)	Allowable locked rotor time (s)		Weight (lb)	Sound dB(A)	Service Factor	460 V							Full load current in (A)
														Rated speed (rpm)	% of full load			Power Factor			
															Efficiency			Power Factor			
HP	KW			Code	ll/in			Hot	Cold					50	75	100	50	75	100		
7.5	5.5	254JM	33.1	J	6.9	2.4	3.0	2.73	12	26	232	56.0	1.15	1175	87.5	89.5	90.2	0.59	0.72	0.79	9.69
10	7.5	256JM	44.1	H	6.6	2.3	2.8	3.41	12	26	251	57.0	1.15	1175	90.2	91.0	91.7	0.62	0.74	0.80	12.8
15	11	254JM	43.8	H	6.7	2.9	3.0	2.08	14	31	254	59.0	1.15	1775	91.7	92.4	93.0	0.60	0.72	0.80	18.6
		284JM	65.9	G	6.6	2.6	2.8	5.56	12	26	364	58.0	1.15	1180	89.5	91.0	91.7	0.72	0.81	0.85	17.7
20	15	254JM	29.4	G	6.0	1.9	2.5	0.7328	12	26	194	66.0	1.15	3520	89.5	90.2	91.0	0.71	0.80	0.84	24.6
		256JM	58.5	G	6.3	2.6	2.8	2.62	12	26	295	60.0	1.15	1770	91.7	93.0	93.0	0.63	0.72	0.82	24.7
25	18.5	286JM	88.2	G	6.3	2.2	2.4	7.20	18	40	397	58.0	1.15	1175	91.7	92.4	92.4	0.74	0.83	0.85	24.0
		256JM	36.7	G	6.5	2.0	2.6	1.08	9	20	243	67.0	1.15	3530	91.0	91.7	91.7	0.73	0.82	0.85	29.8
		284JM	73.2	H	6.7	2.5	2.8	3.41	15	33	342	62.0	1.15	1770	92.4	93.0	93.6	0.67	0.78	0.83	29.9
30	22	324JM	110	G	6.0	2.0	2.4	8.51	18	40	463	60.0	1.15	1180	91.7	92.4	93.0	0.67	0.77	0.82	30.4
		284JM	43.9	G	6.4	2.2	2.8	1.89	10	22	333	72.0	1.15	3540	92.4	93.0	92.4	0.77	0.84	0.86	34.7
		286JM	87.8	G	6.7	2.6	2.8	4.90	14	31	419	63.0	1.15	1770	93.6	94.1	94.1	0.70	0.80	0.83	35.4
40	30	326JM	132	G	6.2	2.2	2.7	9.79	17	37	573	60.0	1.15	1180	91.7	93.0	93.6	0.65	0.77	0.82	36.0
		286JM	58.6	G	6.4	2.0	2.6	2.36	10	22	373	73.0	1.15	3535	91.7	93.0	93.0	0.74	0.83	0.86	47.1
		324JM	117	G	6.2	2.2	2.3	6.05	28	62	507	64.0	1.15	1775	93.6	94.1	94.1	0.68	0.78	0.83	48.2
50	37	364/5JM	175	G	6.7	2.1	2.6	23.5	24	53	739	67.0	1.15	1185	93.6	94.1	94.1	0.71	0.80	0.85	47.1
		324JM	72.9	G	6.4	2.2	2.6	3.83	28	62	496	74.0	1.15	3555	92.4	93.6	93.6	0.74	0.82	0.84	59.1
		326JM	146	G	6.3	2.4	2.5	7.04	12	26	573	65.0	1.15	1775	94.1	94.5	94.5	0.70	0.79	0.82	59.9
60	45	364/5JM	219	G	6.5	2.0	2.5	25.7	18	40	862	68.0	1.15	1185	93.6	94.1	94.1	0.72	0.81	0.84	58.8
		326JM	87.4	G	6.2	2.0	2.6	4.36	24	53	529	75.0	1.15	3555	93.0	93.6	93.6	0.77	0.84	0.85	71.0
75	55	364/5JM	175	G	6.7	2.5	3.0	15.6	15	33	825	68.0	1.15	1780	94.5	94.5	95.0	0.74	0.83	0.85	69.9
		364/5JM	109	G	6.4	1.8	2.8	6.81	14	31	754	80.0	1.15	3560	93.6	94.1	94.1	0.78	0.85	0.88	83.4
100	75	364/5JM	218	G	6.7	2.1	2.6	19.5	14	31	871	68.0	1.15	1780	94.5	95.0	95.0	0.76	0.84	0.87	83.5
		364/5JM	146	G	6.7	1.9	2.5	8.30	12	26	825	83.0	1.15	3560	94.1	94.5	94.5	0.84	0.89	0.89	112

Close-Coupled Pump - JP - Three Phase - ODP - Rolled Steel

Output		Frame	Full Load Torque (ft.lb)	Locked Rotor Current		Locked Rotor Torque Tl/Tn	Break-down Torque Tlb/Tn	Inertia J (lb-ft ²)	Allowable locked rotor time (s)		Weight (lb)	Sound dB(A)	Service Factor	460 V								
				Code	ll/ln				Hot	Cold				Rated speed (rpm)	% of full load						Full load current In (A)	
															Efficiency			Power Factor				
															50	75	100	50	75	100		
1	0.75	143/5JP	1.48	L	8.3	2.1	3.3	0.0643	22	48	25.4	62.0	1.15	3510	74.0	78.5	80.0	0.66	0.78	0.85	1.38	
		143/5JP	2.94	L	8.0	2.9	3.6	0.1101	22	48	34.4	52.0	1.15	1760	81.5	84.0	85.5	0.51	0.65	0.73	1.51	
		143/5JP	4.51	K	6.1	2.5	3.0	0.1419	24	53	35.3	49.0	1.15	1150	78.5	81.5	82.5	0.47	0.60	0.69	1.65	
1.5	1.1	143/5JP	2.21	K	8.6	2.1	3.3	0.0835	19	42	29.3	62.0	1.15	3510	81.5	84.0	84.0	0.73	0.83	0.89	1.85	
		143/5JP	4.42	L	8.7	2.8	3.3	0.1426	15	33	41.9	52.0	1.15	1760	84.0	86.5	86.5	0.56	0.69	0.77	2.07	
		182/4JP	6.67	J	6.5	2.0	3.1	0.2178	46	101	56.0	52.0	1.15	1165	84.0	85.5	86.5	0.51	0.63	0.71	2.25	
2	1.5	143/5JP	2.95	K	8.9	2.2	3.3	0.1151	14	31	36.8	62.0	1.15	3510	84.0	85.5	85.5	0.77	0.86	0.91	2.42	
		143/5JP	5.96	K	7.7	2.6	3.2	0.1168	17	37	39.0	52.0	1.15	1740	85.5	86.5	86.5	0.61	0.74	0.81	2.69	
		182/4JP	8.89	J	6.6	2.0	3.0	0.2800	33	73	66.1	52.0	1.15	1165	85.5	86.5	87.5	0.53	0.66	0.73	2.95	
3	2.2	143/5JP	4.47	J	8.0	2.3	3.0	0.1279	9	20	39.9	62.0	1.15	3480	84.0	85.5	85.5	0.76	0.86	0.90	3.59	
		182/4JP	8.81	K	8.4	2.2	3.3	0.3092	15	33	65.9	55.0	1.15	1765	87.5	88.5	89.5	0.60	0.73	0.80	3.86	
		213/5JP	13.2	H	5.9	2.1	2.6	0.8104	39	86	98.3	55.0	1.15	1175	86.5	87.5	88.5	0.56	0.68	0.75	4.16	
5	3.7	182/4JP	7.38	J	7.6	1.9	3.0	0.1386	12	26	58.7	65.0	1.15	3510	85.5	86.5	86.5	0.73	0.83	0.88	6.10	
		182/4JP	14.7	J	7.2	2.0	3.1	0.4003	12	26	79.8	55.0	1.15	1760	88.5	88.5	89.5	0.63	0.76	0.82	6.33	
		213/5JP	22.0	H	5.9	2.2	2.5	1.08	29	64	118	55.0	1.15	1175	88.5	89.5	89.5	0.58	0.70	0.77	6.74	
7.5	5.5	182/4JP	11.1	H	7.4	1.8	2.9	0.1818	10	22	69.9	65.0	1.15	3500	88.5	88.5	88.5	0.76	0.85	0.90	8.67	
		213/5JP	22.0	H	7.2	2.4	3.2	1.03	13	29	116	59.0	1.15	1770	89.5	90.2	91.0	0.65	0.77	0.82	9.25	
		254/6JP	33.1	F	5.1	2.0	2.3	2.00	37	81	187	59.0	1.15	1175	88.5	90.2	90.2	0.56	0.68	0.75	10.2	
10	7.5	213/5JP	14.7	H	6.8	2.0	2.8	0.4651	11	24	117	66.0	1.15	3535	88.5	89.5	89.5	0.74	0.84	0.88	12.0	
		213/5JP	29.3	H	7.0	2.5	3.5	1.30	14	31	137	59.0	1.15	1770	90.2	91.0	91.7	0.64	0.77	0.83	12.4	
		254/6JP	43.9	G	5.3	2.1	2.3	2.50	34	75	209	59.0	1.15	1180	91.0	91.7	91.7	0.56	0.68	0.74	13.9	
15	11	213/5JP	22.0	G	6.8	2.1	2.8	0.5512	8	18	131	66.0	1.15	3535	90.2	90.2	90.2	0.77	0.86	0.89	17.2	
		254/6JP	43.8	H	6.7	2.4	3.0	1.82	17	37	175	64.0	1.15	1775	91.7	92.4	93.0	0.62	0.73	0.80	18.6	
20	15	254/6JP	29.4	G	6.0	1.8	2.4	0.7848	13	29	151	70.0	1.15	3525	90.2	91.0	91.0	0.76	0.83	0.87	23.8	
		254/6JP	58.5	G	6.3	2.4	2.9	2.23	15	33	198	64.0	1.15	1770	92.4	92.4	93.0	0.63	0.74	0.81	25.0	
25	18.5	254/6JP	36.7	G	6.3	1.8	2.9	0.9155	9	20	174	70.0	1.15	3530	91.0	91.7	91.7	0.73	0.83	0.87	29.1	

Close-Coupled Pump - JP - Three Phase - ODP - Cast Iron

Output		Frame	Full Load Torque (ft.lb)	Locked Rotor Current		Locked Rotor Torque Tl/Tn	Break-down Torque Tb/Tn	Inertia J (lb-ft ²)	Allowable locked rotor time (s)		Weight (lb)	Sound dB(A)	Service Factor	460 V							Full load current In (A)
														Rated speed (rpm)	% of full load						
															Efficiency			Power Factor			
															50	75	100	50	75	100	
HP	kW			Code	II/In				Hot	Cold											
7.5	5.5	254JP	33.1	J	6.9	2.4	3.0	2.73	12	26	232	56.0	1.15	1175	87.5	89.5	90.2	0.59	0.72	0.79	9.69
10	7.5	256JP	44.1	H	6.6	2.3	2.8	3.41	12	26	251	57.0	1.15	1175	90.2	91.0	91.7	0.62	0.74	0.80	12.8
15	11	254JP	43.8	H	6.7	2.9	3.0	2.08	14	31	254	59.0	1.15	1775	91.7	92.4	93.0	0.60	0.72	0.80	18.6
		284JP	65.9	G	6.6	2.6	2.8	5.56	12	26	364	58.0	1.15	1180	89.5	91.0	91.7	0.72	0.81	0.85	17.7
20	15	254JP	29.4	G	6.0	1.9	2.5	0.7328	12	26	194	66.0	1.15	3520	89.5	90.2	91.0	0.71	0.80	0.84	24.6
		256JP	58.5	G	6.3	2.6	2.8	2.62	12	26	295	60.0	1.15	1770	91.7	93.0	93.0	0.63	0.72	0.82	24.7
		286JP	88.2	G	6.3	2.2	2.4	7.20	18	40	397	58.0	1.15	1175	91.7	92.4	92.4	0.74	0.83	0.85	24.0
25	18.5	256JP	36.7	G	6.5	2.0	2.6	1.08	9	20	243	67.0	1.15	3530	91.0	91.7	91.7	0.73	0.82	0.85	29.8
		284JP	73.2	H	6.7	2.5	2.8	3.41	15	33	342	62.0	1.15	1770	92.4	93.0	93.6	0.67	0.78	0.83	29.9
		324JP	110	G	6.0	2.0	2.4	8.51	18	40	463	60.0	1.15	1180	91.7	92.4	93.0	0.67	0.77	0.82	30.4
30	22	284JP	43.9	G	6.4	2.2	2.8	1.89	10	22	333	72.0	1.15	3540	92.4	93.0	92.4	0.77	0.84	0.86	34.7
		286JP	87.8	G	6.7	2.6	2.8	4.90	14	31	419	63.0	1.15	1770	93.6	94.1	94.1	0.70	0.80	0.83	35.4
		326JP	132	G	6.2	2.2	2.7	9.79	17	37	573	60.0	1.15	1180	91.7	93.0	93.6	0.65	0.77	0.82	36.0
40	30	286JP	58.6	G	6.4	2.0	2.6	2.36	10	22	373	73.0	1.15	3535	91.7	93.0	93.0	0.74	0.83	0.86	47.1
		324JP	117	G	6.2	2.2	2.3	6.05	28	62	507	64.0	1.15	1775	93.6	94.1	94.1	0.68	0.78	0.83	48.2
		364/5JP	175	G	6.7	2.1	2.6	23.5	24	53	739	67.0	1.15	1185	93.6	94.1	94.1	0.71	0.80	0.85	47.1
50	37	324JP	72.9	G	6.4	2.2	2.6	3.83	28	62	496	74.0	1.15	3555	92.4	93.6	93.6	0.74	0.82	0.84	59.1
		326JP	146	G	6.3	2.4	2.5	7.04	12	26	573	65.0	1.15	1775	94.1	94.5	94.5	0.70	0.79	0.82	59.9
		364/5JP	219	G	6.5	2.0	2.5	25.7	18	40	862	68.0	1.15	1185	93.6	94.1	94.1	0.72	0.81	0.84	58.8
60	45	326JP	87.4	G	6.2	2.0	2.6	4.36	24	53	529	75.0	1.15	3555	93.0	93.6	93.6	0.77	0.84	0.85	71.0
		364/5JP	175	G	6.7	2.5	3.0	15.6	15	33	825	68.0	1.15	1780	94.5	94.5	95.0	0.74	0.83	0.85	69.9
		404/5JP	262	G	6.5	2.1	2.5	30.2	16	35	915	69.0	1.15	1185	94.1	94.5	94.5	0.73	0.82	0.85	70.3
75	55	364/5JP	109	G	6.4	1.8	2.8	6.81	14	31	754	80.0	1.15	3560	93.6	94.1	94.1	0.78	0.85	0.88	83.4
		364/5JP	218	G	6.7	2.1	2.6	19.5	14	31	871	68.0	1.15	1780	94.5	95.0	95.0	0.76	0.84	0.87	83.5
		404/5JP	329	G	6.8	2.4	2.7	27.9	14	31	1080	69.0	1.15	1180	94.1	94.5	94.5	0.72	0.81	0.85	85.9
100	75	364/5JP	146	G	6.7	1.9	2.5	8.30	12	26	825	83.0	1.15	3560	94.1	94.5	94.5	0.84	0.89	0.89	112
		404/5JP	291	G	6.7	2.3	2.7	22.8	10	22	1052	69.0	1.15	1780	95.0	95.4	95.4	0.77	0.84	0.87	113
125	90	404/5JP	182	F	6.5	1.8	2.8	10.2	11	24	986	84.0	1.15	3560	94.1	94.5	94.5	0.83	0.88	0.90	133
		404/5JP	364	G	7.0	2.4	2.5	26.6	10	22	1144	69.0	1.15	1780	95.0	95.4	95.4	0.76	0.85	0.87	136
150	110	404/5JP	219	G	6.6	1.9	2.5	11.9	10	22	1246	84.0	1.15	3555	94.5	94.5	94.5	0.86	0.89	0.90	162

Metric Motors - Aluminum Frame

Output		Frame	Full Load Torque (ft.lb)	Locked Rotor Current Code	Locked Rotor Torque Tl/Tn	Break-down Torque Tb/Tn	Inertia J (lb-ft ²)	Allowable locked rotor time (s)		Weight (lb)	Sound dB(A)	460 V							Full load current (A)
												Rated speed (rpm)	% of full load						
													Efficiency			Power Factor			
HP	kW							Hot	Cold				50	75	100	50	75	100	
0.12	0.16	63	0.485	5.2	2.6	3	0.0104	53	117	11.0	44	1710	57.5	64.0	66.0	0.50	0.62	0.71	0.321
		63	0.242	6.4	4.5	4.6	0.0033	37	81	11.0	52	3430	55.0	62.0	64.0	0.54	0.65	0.73	0.322
		63	0.727	3.5	2.5	2.8	0.0157	56	123	14.3	43	1140	52.0	59.0	64.0	0.35	0.45	0.52	0.453
		71	1.00	2.5	1.8	2.4	0.0223	50	110	22.1	41	825	46.0	52.5	59.5	0.30	0.37	0.46	0.550
0.18	0.25	63	0.760	5.7	2.8	3.3	0.0145	40	88	13.2	44	1705	62.0	66.0	69.5	0.50	0.60	0.69	0.471
		63	0.379	6.3	4.4	4.4	0.0038	28	62	12.1	52	3415	57.5	64.0	68.0	0.54	0.66	0.74	0.449
		80	1.56	3.8	2.4	2.9	0.0681	56	123	24.3	42	830	50.5	60.0	64.0	0.38	0.48	0.59	0.598
		71	1.17	3.7	2.3	2.7	0.0221	50	110	20.9	43	1110	57.5	59.5	67.5	0.35	0.44	0.53	0.632
0.25	0.33	71	0.994	5.3	2.6	2.8	0.0157	40	88	14.3	43	1720	70.0	72.0	73.4	0.47	0.60	0.69	0.620
		80	1.47	5.1	2.1	3.1	0.0686	25	55	26.5	47	1165	64.1	70.5	71.4	0.43	0.55	0.65	0.676
		63	0.501	6.6	4.8	4.7	0.0047	23	51	13.2	56	3415	64.0	68.0	69.5	0.53	0.65	0.74	0.610
		80	1.99	4.3	2.5	3	0.0802	30	66	26.5	42	860	67.5	68.0	68.5	0.37	0.48	0.57	0.804
0.37	0.5	71	1.51	5.8	3.4	3.5	0.0195	55	121	16.5	43	1710	70.0	75.0	78.2	0.47	0.58	0.67	0.886
		71	0.753	7.0	3.1	3.3	0.0095	12	26	16.5	56	3440	70.0	73.4	73.4	0.64	0.76	0.82	0.772
		90S/L	2.98	4.6	2.3	3.1	0.1305	30	66	35.3	43	870	66.5	71.5	72.0	0.37	0.47	0.56	1.15
		80	2.27	4.9	2.4	2.8	0.0600	28	62	22.1	43	1140	66.0	70.0	75.3	0.47	0.60	0.70	0.881
0.55	0.75	90S	3.34	6.4	2.6	3.4	0.1303	35	77	41.9	49	1165	78.0	81.5	81.7	0.45	0.58	0.67	1.26
		80	2.26	7.3	3.4	3.8	0.0605	22	48	22.1	44	1720	77.0	80.0	81.1	0.60	0.73	0.78	1.09
		71	1.14	7.3	3.7	3.9	0.0112	17	37	15.4	56	3415	74.0	75.5	76.8	0.66	0.78	0.84	1.07
		90S/L	4.52	4.5	2	2.5	0.1566	29	64	44.1	43	860	70.0	73.0	74.0	0.41	0.53	0.62	1.50
0.75	1	90S/L	2.94	8.6	2.8	3.9	0.1163	22	48	36.4	49	1760	80.0	84.5	85.0	0.52	0.66	0.75	1.48
		90S/L	4.49	6.4	3	3.5	0.1561	36	79	48.5	49	1155	77.0	81.5	82.5	0.46	0.59	0.68	1.68
		80	1.50	8.0	4.9	5	0.0180	32	70	25.4	59	3450	75.5	80.0	81.5	0.62	0.74	0.81	1.43
		100L	6.02	4.8	2	2.7	0.3014	61	134	57.3	50	860	70.0	74.0	75.5	0.38	0.50	0.59	2.11
1.1	1.5	90S/L	4.43	8.5	2.9	3.5	0.1305	15	33	37.5	51	1755	80.0	84.0	86.5	0.57	0.70	0.78	2.05
		80	2.25	8.0	5.3	5.2	0.0356	27	59	27.6	59	3450	78.5	81.5	84.0	0.62	0.74	0.81	2.03
		100L	9.04	4.9	2.2	2.7	0.3393	42	92	62.8	50	860	74.0	75.5	78.5	0.38	0.50	0.59	2.98
1.5	2	90S/L	5.90	8.3	3	4	0.1566	14	31	43.0	49	1755	82.5	85.5	86.5	0.56	0.69	0.78	2.79
		90S/L	2.97	8.4	4.1	4.4	0.0475	16	35	34.2	62	3485	80.0	82.5	85.5	0.64	0.75	0.82	2.69
		112M	12.0	5.7	2.8	3.3	0.5648	38	84	79.4	46	865	77.0	80.0	84.0	0.44	0.57	0.64	3.50
2.2	3	100L	8.88	9.0	3.8	3.7	0.2136	20	44	59.5	---	1750	86.6	88.2	89.5	0.54	0.67	0.75	4.11
		132S	13.2	6.1	1.8	3.1	1.17	50	110	126	55	1175	84.0	87.5	89.5	0.49	0.62	0.70	4.41
		112M	8.83	7.7	2.2	3.4	0.3393	33	73	79.4	56	1760	85.5	87.5	89.5	0.59	0.72	0.79	3.91
		90S/L	4.47	8.4	4.3	4.6	0.0617	14	31	44.1	62	3480	84.0	85.5	86.5	0.64	0.76	0.83	3.85
		132S	17.9	7.4	2.5	2.9	1.64	32	70	139	48	870	82.0	84.0	85.5	0.47	0.60	0.68	4.75
		132S	17.7	6.3	1.8	2.9	1.07	68	150	130	55	1170	85.5	88.5	89.5	0.49	0.62	0.70	6.01
3	4	132M	17.7	6.3	1.8	2.9	1.07	68	150	132	55	1170	85.5	88.5	89.5	0.49	0.62	0.70	6.01
		100L	5.90	9.2	3.8	5	0.1519	18	40	60.6	67	3510	82.5	86.5	88.5	0.68	0.79	0.85	5.01
		100L	11.9	8.6	4.6	4.8	0.2848	18	40	82.7	54	1740	84.0	86.5	89.5	0.59	0.71	0.79	5.33
		132M	23.8	7.5	3.2	3.4	1.99	26	57	148	48	870	83.5	85.0	86.5	0.45	0.58	0.67	6.50

continued on next page



Metric Motors Aluminum Frame - *continued*

Output		Frame	Full Load Torque (ft.lb)	Locked Rotor Current Code I _L /I _n	Locked Rotor Torque T _L /T _n	Break-down Torque T _b /T _n	Inertia J (lb-ft ²)	Allowable locked rotor time (s)		Weight (lb)	Sound dB(A)	460 V							Full load current I _n (A)
								Hot	Cold			Rated speed (rpm)	% of full load			Power Factor			
													Efficiency			Power Factor			
HP	kW												50	75	100	50	75	100	
4	5.5	112M	16.2	8.0	2.5	3.5	0.4312	19	42	83.8	56	1755	87.5	89.5	89.5	0.58	0.70	0.77	7.28
		132M	24.5	6.6	1.9	3	1.34	43	95	128	52	1165	85.5	88.5	89.5	0.50	0.63	0.71	7.90
		112M	8.13	8.6	3.1	4.4	0.1898	24	53	79.4	64	3505	85.5	87.5	88.5	0.67	0.79	0.85	6.67
5.5	7.5	132S	22.0	10.1	2.6	4.3	1.25	18	40	139	56	1765	88.5	91.0	91.7	0.65	0.77	0.83	9.07
		132S	11.0	8.6	2.9	4.1	0.5126	29	64	130	67	3530	85.5	87.5	89.5	0.70	0.81	0.86	8.97
7.5	10	132M	29.3	9.0	2.7	4.3	1.52	16	35	154	56	1770	90.2	91.0	91.7	0.65	0.77	0.83	12.2
		132S	14.7	9.1	3.3	4.4	0.5980	21	46	139	67	3535	86.5	89.5	90.2	0.68	0.79	0.85	12.3
9.2	12.5	132M	18.3	9.0	3.1	3.9	0.7261	20	44	154	67	3535	88.5	90.2	91.0	0.73	0.83	0.87	14.6

Metric Motors - Cast Iron Frame

Output		Frame	Full Load Torque (ft.lb)	Locked Rotor Current Code I _L /I _n	Locked Rotor Torque T _L /T _n	Break-down Torque T _b /T _n	Inertia J (lb-ft ²)	Allowable locked rotor time (s)		Weight (lb)	Sound dB(A)	460 V								
								Hot	Cold			Rated speed (rpm)	% of full load						Full load current I _n (A)	
													Efficiency			Power Factor				
HP	kW												50	75	100	50	75	100		
0.12	0.16	63	0.242	6.4	4.5	4.6	0.0033	37	81	13.7	52	3430	55.0	62.0	64.0	0.54	0.65	0.73	0.322	
		63	0.485	5.2	2.6	3	0.0104	53	117	11.5	44	1710	57.5	64.0	66.0	0.50	0.62	0.71	0.321	
		63	0.727	3.5	2.5	2.8	0.0157	56	123	17.0	43	1140	52.0	59.0	64.0	0.35	0.45	0.52	0.453	
		71	1.00	2.5	1.8	2.4	0.0223	50	110	25.4	41	825	46.0	52.5	59.5	0.30	0.37	0.46	0.550	
0.18	0.25	63	0.379	6.3	4.4	4.4	0.0038	28	62	14.8	52	3415	57.5	64.0	68.0	0.54	0.66	0.74	0.449	
		63	0.760	5.7	2.8	3.3	0.0145	40	88	15.9	44	1705	62.0	66.0	69.5	0.50	0.60	0.69	0.471	
		71	1.17	3.7	2.3	2.7	0.0221	50	110	25.4	43	1110	57.5	59.5	67.5	0.35	0.44	0.53	0.632	
		80	1.56	3.8	2.4	2.9	0.0681	56	123	29.8	42	830	50.5	60.0	64.0	0.38	0.48	0.59	0.598	
0.25	0.33	63	0.501	6.6	4.8	4.7	0.0047	23	51	15.9	56	3415	64.0	68.0	69.5	0.53	0.65	0.74	0.610	
		71	0.994	5.3	2.6	2.8	0.0157	40	88	17.6	43	1720	70.0	72.0	73.4	0.47	0.60	0.69	0.620	
		80	1.47	5.1	2.1	3.1	0.0686	25	55	26.5	47	1165	64.1	70.5	71.4	0.43	0.55	0.65	0.676	
		80	1.99	4.3	2.5	3	0.0802	30	66	32.0	42	860	67.5	68.0	68.5	0.37	0.48	0.57	0.804	
0.37	0.5	71	0.753	7.0	3.1	3.3	0.0095	12	26	16.5	56	3440	70.0	73.4	73.4	0.64	0.76	0.82	0.772	
		71	1.51	5.8	3.4	3.5	0.0195	55	121	20.9	43	1710	70.0	75.0	78.2	0.47	0.58	0.67	0.886	
		80	2.27	4.9	2.4	2.8	0.0600	28	62	27.6	43	1140	66.0	70.0	75.3	0.47	0.60	0.70	0.881	
		90S	2.98	4.6	2.3	3.1	0.1305	30	66	41.9	43	870	66.5	71.5	72.0	0.37	0.47	0.56	1.15	
0.55	0.75	71	1.14	7.3	3.7	3.9	0.0112	17	37	18.7	56	3415	74.0	75.5	76.8	0.66	0.78	0.84	1.07	
		80	2.26	7.3	3.4	3.8	0.0605	22	48	27.6	44	1720	77.0	80.0	81.1	0.60	0.73	0.78	1.09	
		90S	3.34	6.4	2.6	3.4	0.1303	35	77	41.9	49	1165	78.0	81.5	81.7	0.45	0.58	0.67	1.26	
		90L	4.52	4.5	2	2.5	0.1566	29	64	50.7	43	860	70.0	73.0	74.0	0.41	0.53	0.62	1.50	
0.75	1	80	1.50	8.0	4.9	5	0.0180	32	70	29.8	59	3450	75.5	80.0	81.5	0.62	0.74	0.81	1.43	
		90S	2.94	8.6	2.8	3.9	0.1163	22	48	40.8	49	1760	80.0	84.5	85.0	0.52	0.66	0.75	1.48	
		90L	4.49	6.4	3	3.5	0.1561	36	79	55.1	49	1155	77.0	81.5	82.5	0.46	0.59	0.68	1.68	
		100L	6.02	4.8	2	2.7	0.3014	61	134	67.3	50	860	70.0	74.0	75.5	0.38	0.50	0.59	2.11	
1.1	1.5	80	2.25	8.0	5.3	5.2	0.0356	27	59	33.1	59	3450	78.5	81.5	84.0	0.62	0.74	0.81	2.03	
		90S	4.43	8.5	2.9	3.5	0.1305	15	33	43.0	51	1755	80.0	84.0	86.5	0.57	0.70	0.78	2.05	
		100L	9.04	4.9	2.2	2.7	0.3393	42	92	72.8	50	860	74.0	75.5	78.5	0.38	0.50	0.59	2.98	
1.5	2	90S	2.97	8.4	4.1	4.4	0.0475	16	35	40.8	62	3485	80.0	82.5	85.5	0.64	0.75	0.82	2.69	
		90L	5.90	8.3	3	4	0.1566	14	31	50.7	49	1755	82.5	85.5	86.5	0.56	0.69	0.78	2.79	
		112M	12.0	5.7	2.8	3.3	0.5648	38	84	94.8	46	865	77.0	80.0	84.0	0.44	0.57	0.64	3.50	
2.2	3	90L	4.47	8.4	4.3	4.6	0.0617	14	31	51.8	62	3480	84.0	85.5	86.5	0.64	0.76	0.83	3.85	
		100L	8.88	9.0	3.8	3.7	0.2136	20	44	72.8	---	1750	86.6	88.2	89.5	0.54	0.67	0.75	4.11	
		132S	13.2	6.1	1.8	3.1	1.17	50	110	139	55	1175	84.0	87.5	89.5	0.49	0.62	0.70	4.41	
		132S	17.9	7.4	2.5	2.9	1.64	32	70	152	48	870	82.0	84.0	85.5	0.47	0.60	0.68	4.75	
3	4	100L	5.90	9.2	3.8	5	0.1519	18	40	70.6	67	3510	82.5	86.5	88.5	0.68	0.79	0.85	5.01	
		L100L	11.9	8.6	4.6	4.8	0.2848	18	40	82.7	54	1740	84.0	86.5	89.5	0.59	0.71	0.79	5.39	
		132S	17.7	6.3	1.8	2.9	1.07	68	150	135	55	1170	85.5	88.5	89.5	0.49	0.62	0.70	6.01	
		132M	23.8	7.5	3.2	3.4	1.99	26	57	165	48	870	83.5	85.0	86.5	0.45	0.58	0.67	6.50	

continued on next page



Metric Motors Cast Iron Frame - continued

Output		Frame	Full Load Torque (ft.lb)	Locked Rotor Current Code I _L /I _n	Locked Rotor Torque T _L /T _n	Break-down Torque T _b /T _n	Inertia J (lb-ft ²)	Allowable locked rotor time (s)		Weight (lb)	Sound dB(A)	460 V							
								Hot	Cold			Rated speed (rpm)	% of full load			Full load current I _n (A)			
													Efficiency		Power Factor				
HP	kW											50	75	100	50	75	100		
4	5.5	112M	8.13	8.6	3.1	4.4	0.1898	24	53	90.4	64	3505	85.5	87.5	88.5	0.67	0.79	0.85	6.67
		112M	16.2	8.0	2.5	3.5	0.4312	19	42	97.0	56	1755	87.5	89.5	89.5	0.58	0.70	0.77	7.28
		132M	24.5	6.6	1.9	3	1.34	43	95	146	52	1165	85.5	88.5	89.5	0.50	0.63	0.71	7.90
		160M	32.4	5.2	2	2.7	2.39	47	103	251	54	880	84.0	86.5	86.5	0.49	0.62	0.71	8.17
5.5	7.5	132S	11.0	8.6	2.9	4.1	0.5126	29	64	143	67	3530	85.5	87.5	89.5	0.70	0.81	0.86	8.97
		132S	22.0	10.1	2.6	4.3	1.25	18	40	152	56	1765	88.5	91.0	91.7	0.65	0.77	0.83	9.07
		132M/L	33.2	7.4	2.4	3.5	1.79	32	70	176	52	1170	85.5	88.5	91.0	0.48	0.61	0.70	10.8
		160M	44.2	5.3	2	2.7	2.90	36	79	271	54	880	85.5	86.5	87.5	0.49	0.62	0.71	11.1
7.5	10	132S	14.7	9.1	3.3	4.4	0.5980	21	46	152	67	3535	86.5	89.5	90.2	0.68	0.79	0.85	12.3
		132M	29.3	9.0	2.7	4.3	1.52	16	35	172	56	1770	90.2	91.0	91.7	0.65	0.77	0.83	12.2
		160M	43.9	7.4	2.7	3.5	2.90	25	55	269	59	1180	87.5	89.5	91.0	0.59	0.69	0.75	13.8
		160L	58.9	5.7	2.4	2.9	3.75	26	57	320	54	880	88.5	89.0	89.5	0.49	0.62	0.70	15.0
9.2	12.5	132M	18.3	9.0	3.1	3.9	0.7261	20	44	172	67	3535	88.5	90.2	91.0	0.73	0.83	0.87	14.6
		160M	36.5	8.3	3	3.7	1.91	17	37	240	64	1775	87.5	90.2	92.4	0.66	0.77	0.82	15.2
		160L	54.9	7.5	2.7	3.4	3.41	22	48	302	59	1180	88.5	90.2	91.7	0.60	0.73	0.80	15.7
		180M	73.6	7.0	2.2	3	6.11	20	44	381	54	880	88.5	89.5	89.5	0.62	0.74	0.80	16.1
11	15	160M	21.9	8.7	3	4.3	0.9943	24	53	254	72	3555	88.5	91.0	91.7	0.69	0.80	0.84	17.9
		160M	43.8	8.3	3.1	3.8	2.38	16	35	271	64	1775	89.5	91.7	92.4	0.63	0.75	0.82	18.2
		160L	65.9	7.5	2.8	3.4	3.75	20	44	315	59	1180	88.5	90.2	91.7	0.61	0.73	0.80	18.8
		180L	88.3	7.6	2.6	3.4	6.75	16	35	408	54	880	88.5	89.5	89.5	0.59	0.71	0.79	19.5
15	20	160M	29.2	8.4	3	4.1	1.12	18	40	262	72	3550	89.5	91.7	91.7	0.69	0.80	0.84	24.4
		160L	58.4	8.3	3.3	4	2.88	13	29	320	64	1775	91.0	91.7	93.0	0.62	0.74	0.81	25.0
		180L	87.8	9.2	3	3.9	7.69	13	29	426	59	1180	91.0	91.7	91.7	0.68	0.79	0.83	24.7
		200L	117	5.2	2	2.4	10.8	44	97	518	56	885	89.5	91.0	91.0	0.55	0.67	0.74	28.0
18.5	25	160L	36.5	8.9	3.3	4.4	1.32	15	33	300	72	3550	90.2	91.7	92.4	0.69	0.80	0.84	29.9
		180M	73.0	8.1	3.3	3.8	4.75	21	46	397	64	1775	91.0	92.4	93.6	0.62	0.75	0.81	30.6
		200L	110	7.0	2.6	3.1	9.16	25	55	492	62	1180	91.0	91.7	93.0	0.62	0.74	0.81	30.8
		225S/M	146	7.0	1.9	3.1	26.3	43	95	831	60	885	93.0	93.0	93.0	0.60	0.72	0.79	31.6
22	30	180M	43.7	8.5	2.8	4.1	2.83	17	37	388	72	3555	90.2	91.7	92.4	0.71	0.81	0.86	34.7
		180L	87.6	8.6	3.5	3.9	5.39	19	42	437	64	1775	91.0	92.4	93.6	0.65	0.76	0.82	36.0
		200L	132	7.2	2.8	3.3	10.8	23	51	529	62	1180	91.7	92.4	93.0	0.62	0.74	0.80	37.1
		225S/M	176	6.6	1.5	2.4	30.6	38	84	886	60	885	92.4	92.5	92.8	0.59	0.71	0.79	37.7
30	40	200L	58.1	8.3	3	3.3	4.44	26	57	538	76	3565	91.0	92.4	93.0	0.73	0.82	0.86	47.1
		200L	116	8.2	3	3.6	8.23	19	42	536	66	1780	91.7	93.0	94.1	0.63	0.75	0.81	49.4
		225S/M	175	7.7	2.7	3.3	30.6	30	66	884	66	1185	93.0	94.1	94.1	0.67	0.78	0.84	47.6
		250S/M	233	6.6	2.2	2.6	33.9	40	88	1080	60	890	93.0	93.6	93.6	0.60	0.72	0.79	50.9

continued on next page

Metric Motors Cast Iron Frame - *continued*

Output		Frame	Full Load Torque (ft.lb)	Locked Rotor Current Code I _L /In	Locked Rotor Torque T _L /T _n	Break-down Torque T _b /T _n	Inertia J (lb-ft ²)	Allowable locked rotor time (s)		Weight (lb)	Sound dB(A)	460 V								Full load current In (A)
								Hot	Cold			Rated speed (rpm)	% of full load							
													Efficiency			Power Factor				
HP	kW											50	75	100	50	75	100			
37	50	200L	72.5	8.3	3.3	3.3	5.03	22	48	584	76	3575	91.7	93.0	93.6	0.63	0.75	0.81	61.3	
		225S/M	146	8.6	3.1	3.7	20.9	25	55	864	67	1780	93.0	94.1	94.5	0.68	0.79	0.84	58.5	
		250S/M	219	7.8	2.8	3.3	33.8	29	64	1072	68	1185	93.6	94.1	94.1	0.69	0.79	0.84	58.8	
		280S/M	291	6.7	2	2.7	66.9	45	99	1484	63	890	93.0	94.1	94.1	0.59	0.71	0.77	64.1	
45	60	225S/M	87.2	7.8	2.4	3.4	10.5	29	64	917	79	3565	93.0	94.1	94.1	0.80	0.87	0.90	66.7	
		225S/M	175	8.2	3.2	3.7	22.6	24	53	926	67	1780	93.6	94.5	95.0	0.69	0.79	0.85	69.9	
		280S/M	261	7.2	2.6	3.4	66.5	48	106	1495	69	1190	93.0	94.5	94.5	0.62	0.74	0.80	74.7	
		280S/M	349	6.4	1.9	2.6	82.8	42	92	1634	63	890	93.6	94.1	94.1	0.59	0.71	0.78	77.0	
55	75	250S/M	109	8.6	2.9	3.7	11.6	28	62	1069	79	3570	93.6	94.2	94.2	0.80	0.87	0.90	81.4	
		250S/M	218	8.2	3.3	3.1	26.3	27	59	1118	68	1785	93.6	94.5	95.4	0.67	0.79	0.85	85.1	
		280S/M	327	7.0	2.6	3.3	77.1	46	101	1594	69	1190	93.6	94.5	94.5	0.64	0.75	0.81	90.2	
		315S/M	437	6.6	1.9	2.6	74.6	63	139	2064	66	890	93.6	94.5	94.5	0.62	0.73	0.78	93.7	
75	100	280S/M	145	7.9	2.4	3.5	28.6	59	130	1603	81	3580	92.4	94.1	94.5	0.80	0.87	0.90	111	
		280S/M	290	7.9	2.7	3.4	53.5	47	103	1607	73	1785	93.0	94.5	95.4	0.72	0.81	0.85	116	
		315S/M	435	7.0	2.6	3.1	79.2	61	134	2121	70	1190	94.1	95.0	95.0	0.64	0.75	0.81	122	
		315S/M	582	6.5	2	2.6	95.7	60	132	2313	66	890	94.1	95.0	95.0	0.62	0.73	0.78	127	
90	125	280S/M	181	7.7	2.3	3.3	31.8	52	114	1680	81	3580	93.0	94.5	95.0	0.82	0.88	0.90	132	
		280S/M	363	8.0	2.7	3.4	60.6	41	90	1713	73	1785	93.6	95.0	95.4	0.71	0.81	0.85	139	
		315S/M	544	7.0	2.6	3.1	94.8	61	134	2311	70	1190	94.5	95.4	95.4	0.64	0.75	0.81	146	
		315S/M	728	6.8	2.1	2.7	114	55	121	2534	66	890	93.5	94.0	94.5	0.61	0.73	0.78	153	
110	150	315S/M	217	8.4	2.5	3.7	50.2	59	130	2121	81	3585	92.4	94.1	95.0	0.78	0.86	0.89	163	
		315S/M	434	7.8	3	3.2	58.7	57	125	2227	75	1790	93.6	95.0	95.8	0.71	0.81	0.85	170	
		315S/M	653	7.0	2.5	2.7	105	53	117	2439	70	1190	95.0	95.8	95.8	0.64	0.75	0.81	178	
		315L	873	6.7	2.1	2.7	298	49	108	3014	71	890	94.5	95.4	95.4	0.60	0.72	0.78	186	
132	175	315S/M	253	8.2	2.5	3.4	60.7	54	119	2311	81	3580	93.6	94.5	95.4	0.82	0.88	0.90	193	
		315S/M	507	7.9	3.1	3.3	69.7	57	125	2414	75	1790	94.1	95.4	96.2	0.72	0.81	0.85	203	
		315S/M	762	7.2	2.9	3.2	121	46	101	2624	70	1190	95.0	95.8	95.8	0.63	0.75	0.81	214	
		315L	1013	6.9	2.3	2.7	313	47	103	3325	71	895	95.0	95.4	95.4	0.60	0.72	0.78	223	
150	200	315S/M	289	8.5	2.6	3	65.7	46	101	2401	81	3585	93.6	95.4	95.4	0.79	0.87	0.90	219	
		315S/M	579	7.8	2.8	2.8	105	43	95	2478	75	1790	94.5	95.8	96.2	0.72	0.82	0.86	228	
		315L	871	7.3	2.8	3	264	41	90	3010	71	1190	95.4	95.8	95.8	0.66	0.77	0.82	240	
160	220	315S/M	318	8.4	2.7	3.5	71.0	43	95	2489	81	3580	94.1	95.0	95.4	0.81	0.88	0.90	234	
		315S/M	637	7.8	3.2	3.2	76.9	49	108	2540	75	1790	94.5	95.4	96.2	0.72	0.82	0.85	246	
		315L	958	7.4	3	3.2	264	45	99	3193	71	1190	95.4	95.8	95.8	0.64	0.76	0.81	259	
		355M/L	1274	7.0	1.2	2.8	410	83	183	3852	75	895	95.0	95.8	95.8	0.61	0.73	0.79	265	
185	250	315S/M	362	8.3	2.9	3.4	76.0	42	92	2639	81	3580	94.5	95.4	95.8	0.82	0.88	0.90	269	
		315S/M	724	7.8	3.2	3.1	82.2	39	86	2695	75	1790	95.0	95.8	96.2	0.72	0.81	0.85	284	
		355M/L	1084	7.1	2.5	2.9	264	48	106	3674	77	1195	94.3	95.4	95.8	0.60	0.72	0.78	311	
		355M/L	1447	7.1	1.4	2.8	440	64	141	4011	75	895	95.0	95.8	95.8	0.61	0.73	0.78	311	

continued on next page

Metric Motors Cast Iron Frame - *continued*

Output		Frame	Full Load Torque (ft.lb)	Locked Rotor Current Code I _L /I _n	Locked Rotor Torque T _L /T _n	Break-down Torque T _b /T _n	Inertia J (lb-ft ²)	Allowable locked rotor time (s)		Weight (lb)	Sound dB(A)	460 V							
								Rated speed (rpm)	% of full load						Full load current I _n (A)				
									Efficiency			Power Factor							
									50			75	100	50		75	100		
HP	kW							Hot	Cold										
200	270	315L	391	7.8	3	3.5	81.3	40	88	2878	82	3580	94.5	95.4	95.8	0.81	0.88	0.90	291
		315L	781	7.8	3.1	3.1	93.4	40	88	2937	77	1790	95.0	95.8	96.2	0.72	0.82	0.85	307
		355M/L	1171	6.9	2.4	2.8	286	58	128	3834	77	1195	94.2	95.4	95.8	0.62	0.73	0.79	332
		355M/L	1563	6.8	1.2	2.7	449	70	154	4170	75	895	95.0	95.8	95.8	0.61	0.73	0.79	332
220	300	315L	434	7.9	2.7	3.2	88.3	44	97	3021	82	3580	95.4	95.8	96.2	0.84	0.89	0.91	315
		315L	868	7.9	3.4	3.3	163	40	88	3153	77	1790	95.4	95.8	96.2	0.72	0.81	0.85	338
		355M/L	1301	7.0	2.6	2.9	318	50	110	4088	77	1195	94.8	95.8	95.8	0.60	0.72	0.78	370
250	340	315L	492	7.8	2.8	3.2	98.9	34	75	3162	82	3580	95.4	96.2	96.2	0.84	0.90	0.91	358
		315L	984	7.9	3.5	3.4	199	38	84	3367	77	1790	95.4	96.2	96.2	0.71	0.81	0.85	384
		355M/L	1474	7.0	2.6	2.8	356	51	112	4344	77	1195	95.1	95.5	95.9	0.61	0.73	0.78	419
260	350	355M/L	506	7.9	2.4	3.3	120	54	119	3671	84	3585	94.5	95.8	96.2	0.86	0.90	0.91	373
		315L	1013	7.9	3.5	3.4	199	38	84	3367	77	1790	95.4	96.2	96.2	0.71	0.81	0.85	384
		355M/L	1517	7.0	2.6	2.8	356	51	112	4344	77	1195	95.1	95.5	95.9	0.61	0.73	0.78	436
280	380	355M/L	549	7.9	2.3	3	132	41	90	3861	84	3585	94.5	95.8	96.2	0.88	0.92	0.92	397
		355M/L	1100	7.9	2.9	3.2	229	42	92	3737	78	1790	95.4	96.2	96.2	0.72	0.81	0.85	430
		355M/L	1647	7.0	2.4	2.7	356	38	84	4344	77	1195	95.1	95.7	96.0	0.61	0.73	0.78	469
315	430	355M/L	621	7.9	2.5	3.1	142	45	99	4053	84	3585	95.4	96.2	96.2	0.88	0.92	0.92	447
		355M/L	1245	8.1	3.1	3.5	254	41	90	3907	78	1790	95.4	96.2	96.5	0.65	0.77	0.83	494
355	480	355M/L	1389	7.8	2.7	2.9	275	37	81	4141	78	1790	95.8	96.2	96.5	0.74	0.83	0.85	543

Super Premium Efficiency Motors

Output		Frame	Full Load Torque (ft.lb)	Locked Rotor Current		Locked Rotor Torque Tl/Tn	Break-down Torque Tb/Tn	Inertia J (lb-ft ²)	Allowable locked rotor time (s)		Weight (lb)	Sound dB(A)	Service Factor	460 V							Full load current in (A)
														Rated speed (rpm)	% of full load						
															Efficiency			Power Factor			
															50	75	100	50	75	100	
HP	kW	Code	II/In	Hot	Cold																
1	0.75	143/5T	1.49	J	7.2	2.5	3.0	0.0415	36	79	39.7	68.0	1.25	3485	81.5	82.5	84.0	0.69	0.79	0.83	1.35
1	0.75	L143T	2.94	L	9.0	2.6	3.3	0.1554	33	73	50.7	51.0	1.25	1760	84.0	86.5	87.5	0.59	0.70	0.79	1.33
1.5	1.1	143/5T	2.23	K	8.4	3.0	3.5	0.0470	29	64	41.9	68.0	1.25	3485	84.0	85.5	86.5	0.67	0.78	0.83	1.92
1.5	1.1	L143/5T	4.42	L	8.8	2.8	3.4	0.1815	20	44	55.1	51.0	1.25	1760	85.5	87.5	88.5	0.62	0.74	0.81	1.93
2	1.5	143/5T	2.97	K	8.2	3.2	3.6	0.0610	23	51	50.7	68.0	1.25	3490	85.5	87.5	87.5	0.69	0.80	0.84	2.56
2	1.5	L143/5T	5.89	L	8.6	2.9	3.6	0.1815	14	31	57.3	51.0	1.25	1760	86.5	87.5	88.5	0.61	0.74	0.81	2.63
3	2.2	182T	4.42	K	8.5	2.4	3.6	0.1920	50	110	88.2	69.0	1.25	3520	84.0	86.5	88.5	0.70	0.81	0.85	3.67
3	2.2	182/4T	8.81	K	8.3	2.3	3.2	0.4017	36	79	92.6	56.0	1.25	1765	87.5	88.5	91.0	0.63	0.75	0.81	3.75
3	2.2	213/5T	13.2	K	7.2	1.8	2.9	1.53	90	198	172	55.0	1.25	1175	87.5	89.5	90.2	0.51	0.63	0.71	4.31
5	3.7	182/4T	7.39	J	8.2	2.4	3.5	0.2233	30	66	94.8	69.0	1.25	3505	87.5	88.5	90.2	0.73	0.83	0.86	5.99
5	3.7	L182/4T	14.8	J	7.5	2.3	3.1	0.4877	20	44	101	56.0	1.25	1755	88.5	90.2	91.0	0.61	0.73	0.80	6.38
5	3.7	L213/5T	22.1	J	7.0	1.9	2.5	1.80	70	154	198	55.0	1.25	1170	89.5	91.0	91.0	0.56	0.68	0.75	6.80
7.5	5.5	213/5T	11.0	J	7.6	2.3	3.3	0.5548	37	81	141	72.0	1.25	3530	87.5	89.5	91.0	0.73	0.82	0.86	8.82
7.5	5.5	L213T	22.0	K	8.5	2.3	3.5	1.51	20	44	172	58.0	1.25	1770	91.0	92.4	93.0	0.65	0.76	0.83	8.94
7.5	5.5	254/6T	33.1	H	6.8	2.5	3.1	4.57	50	110	304	59.0	1.25	1175	90.2	91.7	92.4	0.60	0.72	0.79	9.46
10	7.5	213/5T	14.7	J	8.0	2.4	3.2	0.7185	34	75	172	72.0	1.25	3535	89.5	91.0	91.7	0.77	0.85	0.89	11.5
10	7.5	L213/5T	29.4	K	8.4	2.3	3.5	1.78	16	35	181	58.0	1.25	1765	91.7	92.4	93.0	0.66	0.78	0.84	12.0
10	7.5	254/6T	43.9	H	6.8	2.4	3.0	5.40	40	88	344	59.0	1.25	1180	91.0	92.4	92.4	0.62	0.74	0.80	12.7
15	11	254T	21.9	J	7.7	2.7	3.5	1.56	28	62	273	72.0	1.25	3545	90.2	91.7	92.4	0.72	0.82	0.86	17.4
15	11	254/6T	43.8	K	8.5	2.8	3.3	3.66	20	44	280	64.0	1.25	1775	91.7	93.0	93.6	0.66	0.76	0.83	17.8
15	11	284/6T	65.9	H	7.1	2.6	3.0	7.69	25	55	410	59.0	1.25	1180	91.7	92.4	93.0	0.65	0.76	0.82	18.1
20	15	254/6T	29.2	H	7.6	2.6	3.4	1.91	23	51	311	72.0	1.25	3545	91.0	92.4	93.0	0.75	0.84	0.88	23.0
20	15	254/6T	58.5	J	7.4	2.6	3.0	4.29	30	66	326	64.0	1.25	1770	93.0	93.6	94.1	0.63	0.75	0.81	24.7
20	15	284/6T	87.8	J	7.4	2.7	3.0	9.29	20	44	474	59.0	1.25	1180	91.7	92.4	93.0	0.67	0.78	0.83	24.4
25	18.5	284/6T	36.5	H	7.5	2.4	3.3	2.68	20	44	386	72.0	1.25	3550	91.7	93.0	93.6	0.75	0.83	0.87	28.5
25	18.5	284/6T	73.0	K	8.3	3.0	3.4	4.94	26	57	406	64.0	1.25	1775	93.0	94.1	94.5	0.62	0.74	0.81	30.3
25	18.5	324/6T	109	J	7.3	2.6	3.1	11.2	30	66	527	62.0	1.25	1185	92.4	93.6	94.1	0.61	0.73	0.80	30.8
30	22	284/6T	43.8	H	7.5	2.4	3.3		19	42	437	72.0	1.25	3550	92.4	93.6	93.6	0.76	0.84	0.88	33.5
30	22	284/6T	87.6	J	8.0	3.2	3.5	5.67	25	55	450	64.0	1.25	1775	93.0	94.1	94.5	0.64	0.76	0.82	35.6
30	22	324/6T	131	H	7.0	2.6	3.0	12.9	27	59	584	62.0	1.25	1185	92.4	93.6	94.1	0.60	0.73	0.80	36.7
40	30	324/6TS	58.1	H	7.5	2.8	3.0	4.63	27	59	547	76.0	1.25	3565	92.4	94.1	94.1	0.74	0.83	0.86	46.5
40	30	324/6T	116	K	8.4	3.2	3.5	8.83	22	48	534	66.0	1.25	1780	93.6	94.5	95.0	0.64	0.75	0.81	48.9
40	30	364/5T	174	K	8.4	2.6	3.2	24.2	22	48	875	66.0	1.25	1190	93.6	94.5	95.0	0.64	0.76	0.81	48.9
50	37	324/6T	72.6	H	7.7	3.0	3.0	5.43	25	55	606	76.0	1.25	3570	93.0	94.5	94.5	0.74	0.83	0.86	57.1
50	37	324/6T	146	H	7.4	2.6	3.0	9.82	20	44	598	66.0	1.25	1780	94.1	95.0	95.4	0.62	0.73	0.81	60.1
50	37	364/5T	218	K	8.5	2.6	3.3	25.0	12	26	895	66.0	1.25	1190	93.6	94.5	95.0	0.63	0.75	0.81	60.3
60	45	364/5TS	87.1	H	7.9	2.4	3.2	8.61	25	55	926	79.0	1.25	3570	93.0	94.5	95.0	0.79	0.86	0.89	66.8
60	45	364/5T	175	J	8.5	2.7	3.2	16.9	24	53	897	67.0	1.25	1780	94.5	95.4	95.8	0.69	0.80	0.84	70.2
60	45	404/5T	262	J	7.9	2.8	3.2	39.1	22	48	1111	68.0	1.25	1185	94.1	95.0	95.4	0.65	0.77	0.82	72.2

continued on next page

Super Premium Efficiency Motors - continued

Output		Frame	Full Load Torque (ft.lb)	Locked Rotor Current		Locked Rotor Torque Tl/Tn	Break-down Torque Tb/Tn	Inertia J (lb-ft ²)	Allowable locked rotor time (s)		Weight (lb)	Sound dB(A)	Service Factor	460 V								
														Rated speed (rpm)	% of full load						Full load current In (A)	
															Efficiency			Power Factor				
HP	kW			Code	ll/In				Hot	Cold					50	75	100	50	75	100		
75	55	364/5TS	109	H	8.0	2.6	3.2	8.61	14	31	937	79.0	1.25	3570	93.6	95.0	95.0	0.77	0.85	0.88	82.6	
75	55	364/5T	218	J	8.4	2.8	3.2	16.9	16	35	919	67.0	1.25	1780	94.5	95.4	95.8	0.68	0.78	0.83	86.8	
75	55	404/5T	327	J	8.0	2.8	3.0	41.3	15	33	1125	68.0	1.25	1190	94.1	95.0	95.4	0.64	0.75	0.81	89.3	
100	75	404/5TS	145	H	8.0	2.9	3.2	14.3	20	44	1180	79.0	1.25	3565	94.5	95.4	95.4	0.81	0.87	0.89	111	
100	75	404/5T	291	K	8.8	2.7	3.1	28.7	12	26	1188	68.0	1.25	1780	95.4	95.8	96.2	0.70	0.80	0.84	116	
100	75	444/5T	435	J	7.6	2.6	3.2	106	27	59	1896	69.0	1.25	1190	94.5	95.4	95.8	0.60	0.72	0.79	124	
125	90	444/5TS	181	J	8.2	2.3	3.1	31.3	44	97	1680	81.0	1.25	3580	94.1	95.4	95.8	0.76	0.84	0.87	136	
125	90	444/5T	363	J	8.2	2.4	3.0	58.4	38	84	1722	73.0	1.25	1785	95.0	95.8	96.2	0.68	0.79	0.84	140	
125	93	444/5T	544	J	7.6	2.4	2.6	114	25	55	1945	69.0	1.25	1190	95.0	95.8	95.8	0.62	0.74	0.80	152	
150	110	444/5TS	217	H	7.9	2.6	3.2	38.5	30	66	1863	81.0	1.25	3580	94.5	95.8	96.2	0.77	0.85	0.88	163	
150	110	444/5T	435	K	8.9	2.5	3.0	73.0	30	66	1951	73.0	1.25	1785	95.4	96.2	96.5	0.68	0.79	0.84	170	
150	110	447/9T	653	J	7.5	2.6	3.2	145	22	48	2256	70.0	1.25	1190	95.0	95.8	96.2	0.62	0.74	0.80	179	
200	150	445/7TS	290	H	7.3	2.4	2.9	41.6	28	62	2029	81.0	1.25	3575	95.4	96.2	96.2	0.83	0.88	0.90	217	
200	150	447/9T	580	J	7.7	2.8	3.0	98.7	24	53	2293	75.0	1.25	1785	95.8	96.5	96.8	0.66	0.77	0.83	234	
200	150	447/9T	871	J	7.5	2.6	3.0	156	15	33	2326	70.0	1.25	1190	95.4	95.8	96.2	0.60	0.72	0.80	245	
250	185	445/7TS	362	H	7.9	2.2	3.0	46.7	23	51	2183	81.0	1.25	3575	95.8	96.5	96.5	0.82	0.88	0.90	267	
250	185	447/9T	726	H	7.5	2.7	2.9	104	21	46	2536	75.0	1.25	1785	96.2	96.5	96.8	0.68	0.78	0.84	286	
250	185	586/7T	1088	G	6.4	2.1	2.1	226	50	110	3638	77.0	1.25	1190	95.0	95.9	96.3	0.67	0.77	0.81	298	

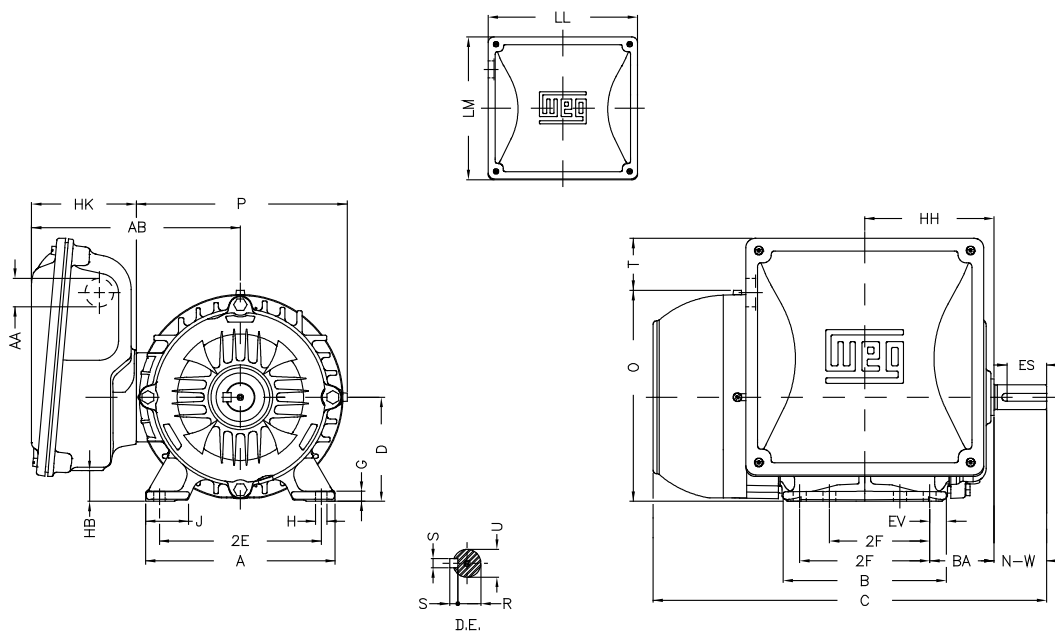
Single Phase - General Purpose - TEFC - Cast Iron	B-52
Single Phase - General Purpose - TEFC - Cast Iron - C-Face	B-54
Single Phase - General Purpose - TEFC - Rolled Steel - Standard Efficiency	B-56
Single Phase - General Purpose - TEFC - Rolled Steel - Standard Efficiency - C-Face	B-58
Single Phase - General Purpose - ODP - Rolled Steel - Standard Efficiency	B-60
Single Phase - General Purpose - ODP - Rolled Steel - Standard Efficiency - C-Face	B-62
Single Phase - General Purpose - ODP - Rolled Steel - Premium Efficiency	B-64
Single Phase - General Purpose - ODP - Rolled Steel - Premium Efficiency - C-Face	B-66
TEFC – W22 NEMA Premium® Efficiency	B-68
C & D Flanges Dimensions – Valid for Cast Iron TEFC and ODP - C-Flange additional detail	B-70
D-Flange additional detail	B-70
Rolled Steel - General Purpose - Three Phase - TEFC	B-71
Rolled Steel - General Purpose - Three Phase - ODP	B-73
ODP – Cast Iron - Three Phase - General Purpose	B-74
Explosion Proof - Three Phase	B-76
Fractional - Three Phase - TEFC - NEMA Premium®	B-78
Fractional - Three Phase - TEFC - NEMA Premium® - C-Face	B-79
Fractional - Three Phase - TEFC - Standard Efficiency	B-80
Fractional - Three Phase - TEFC - Standard Efficiency - C-Face	B-81
Fractional - Three Phase - ODP - Premium Efficiency	B-82
Fractional - Three Phase - ODP - Premium Efficiency - C-Face	B-83
Fractional - Three Phase - ODP - Standard Efficiency	B-84
Fractional - Three Phase - ODP - Standard Efficiency - C-Face	B-85
Cooling Tower Motors - Three Phase - TEFC	B-86
Cooling Tower Motors - Three Phase - TEAO	B-90
CCP - JM - Three Phase - TEFC - Rolled Steel	B-93
CCP - JM - Three Phase - TEFC - Cast Iron	B-95
CCP - JP - Three Phase - TEFC - Rolled Steel	B-98
CCP - JP - Three Phase - TEFC - Cast Iron	B-100
CCP - JM - Three Phase - ODP - Rolled Steel	B-103
CCP - JP - Three Phase - ODP - Rolled Steel	B-103
IEC Metric Motors - Cast Iron Frames	B-106
IEC Metric Motors - Cast Iron Frames - Additional C-Flange Detail	B-108
IEC Metric Motors - Cast Iron Frames - Additional F-Flange Detail	B-109

Single Phase - General Purpose - TEFC - Cast Iron

Frame	2E	J	A	P	AB	2F	B	EV	BA	U	N-W	Key Length
143/5T	5.5	1.457	6.457	7.244	7.126	4	6.142	0.571	2.25	0.875	2.25	1.575
182/4T	7.5	1.614	8.661	8.937	8.11	4.5	6.969	0.734	2.75	1.125	2.75	1.969
213/5T	8.5	1.791	9.764	10.787	9.212	5.5	8.858	0.929	3.5	1.375	3.375	2.48

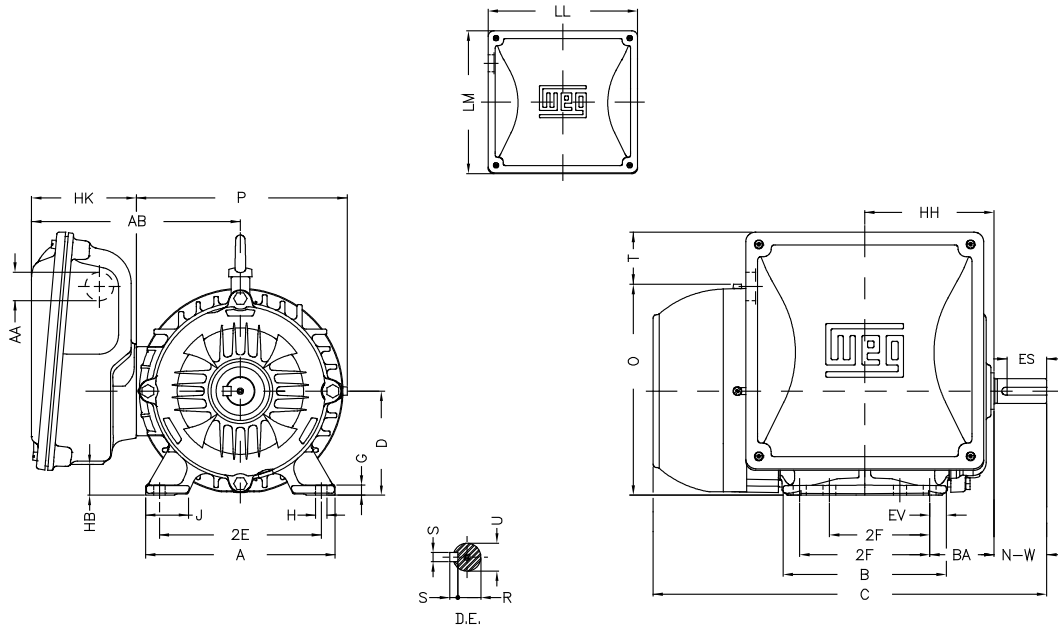
Frame	Width	R	Depth	D	G	HB	O	HH	HK	Hole H	C	LM	S	AA	DE	NDE
143/5T	0.187	0.766	0.187	3.5	0.354	1.043	7.122	4.75	3.583	0.34	14.49	8.11	0.187	NPT 3/4"	6205 ZZ	6203 ZZ
182/4T	0.25	0.984	0.25	4.5	0.394	1.574	8.897	5.5	3.7	0.41	17.012	9.134	0.25	NPT 1"	6207 ZZ	6206 ZZ
213/5T	0.313	1.203	0.313	5.25	0.669	2.362	10.84	7	3.7	0.41	20.095	9.134	0.313	NPT 1"	6308 ZZ	6206 ZZ

Frames 143/5

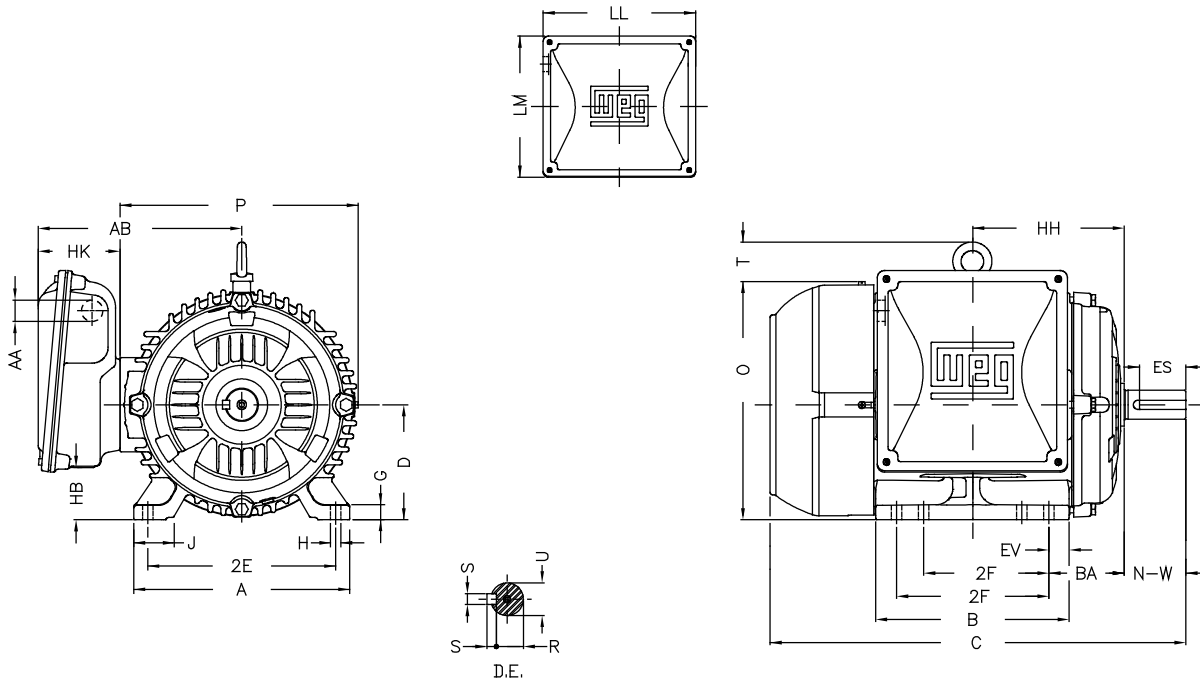


Single Phase - General Purpose - TEFC - Cast Iron

Frames 182/4



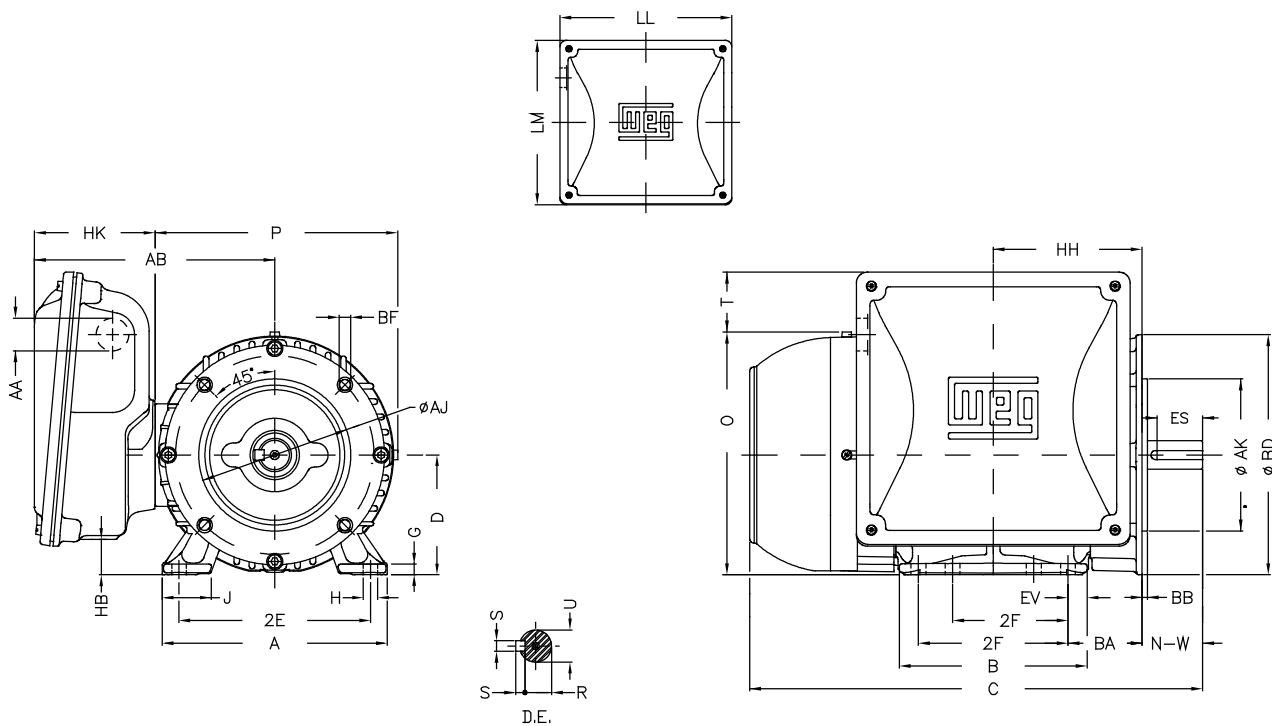
Frame 213/5



Single Phase - General Purpose - TEFC - Cast Iron - C-Face

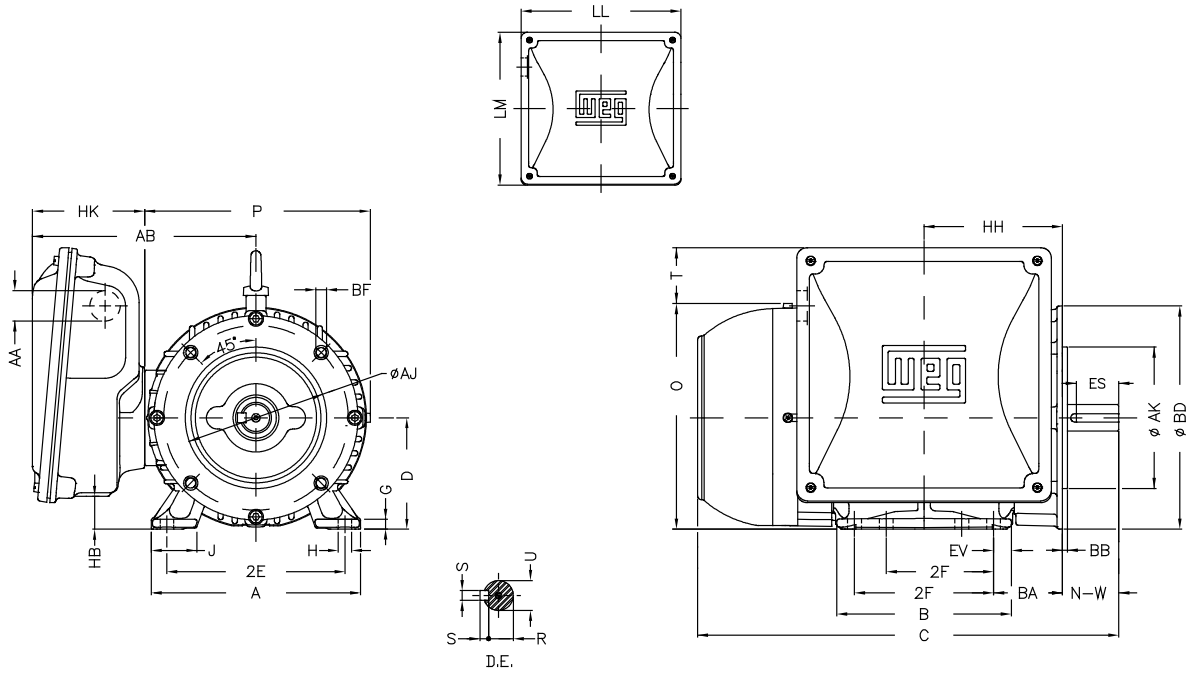
Frame	Type	Flange	Size	BC	AJ	AK	BD	S	T	AH	Angle	BF Number
143/5T	C	C	FC-149	0.125	5.875	4.5	6.5	UNC 3/8"x16	0.157	2.125	45°	4
182/4T	C	C	FC-184	0.125	7.25	8.5	8.875	UNC 1/2"x13	0.25	2.625	45°	4
213/5T	C	C	FC-184	0.25	7.25	8.5	8.875	UNC 1/2"x13	0.25	3.125	45°	4

Frames 143/5

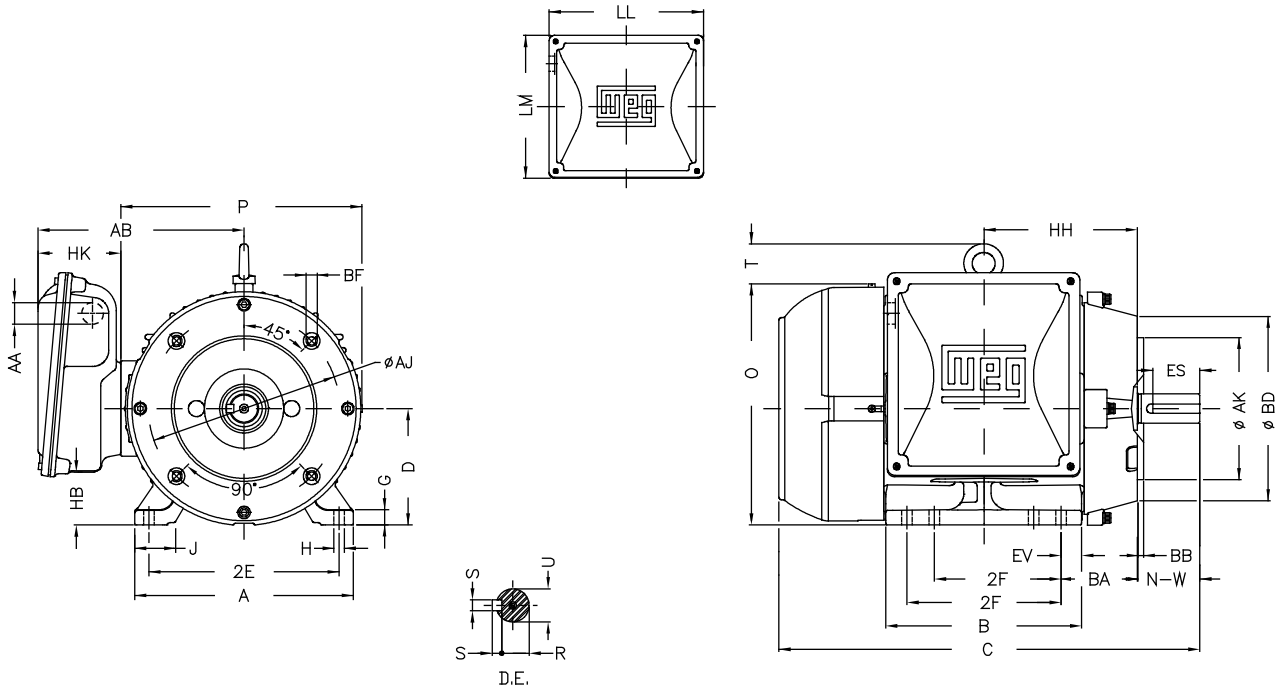


Single Phase - General Purpose - TEFC - Cast Iron - C-Face

Frames 182/4



Frame 213/5



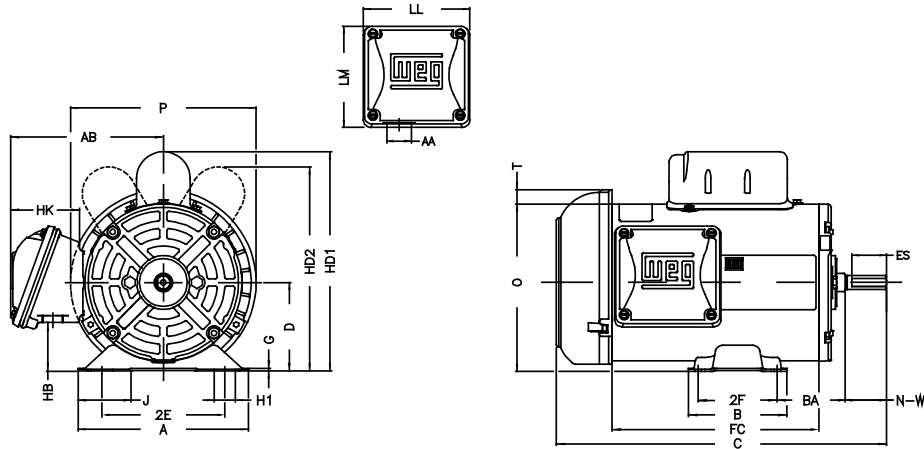
Single Phase - General Purpose - TEFC - Rolled Steel - Standard Efficiency

Frame	2E	J	A	P	AH	2F	B	BA	CH	U	N-W	Key Length
48	4.236	1.835	6.142	6.693	1.689	2.748	3.543	2.5	1.417	0.5	1.5	1.26
W56	4.874	1.62	6.535	6.693	2.063	3	4.016	2.75	1.417	0.625	1.874	1.417
56	4.874	1.732	6.535	7.638	2.062	3	4.016	2.75	1.377	0.625	1.874	1.417
56H	4.874	1.732	6.535	7.638	2.062	3.000/5.000	6.496	2.75	1.377	0.625	1.874	1.417
143/5T	5.5	1.732	6.535	7.638	2.132	4.000/5.000	6.496	2.25	1.377	0.875	2.25	1.417
182/4T	7.5	1.299	8.661	9.435	2.62	4.500/5.500	6.299	2.75	1.377	1.125	2.75	1.969
213/5T	8.5	1.575	9.449	10.965	3.129	5.500/7.000	7.953	3.5	1.929	1.375	3.38	2.48

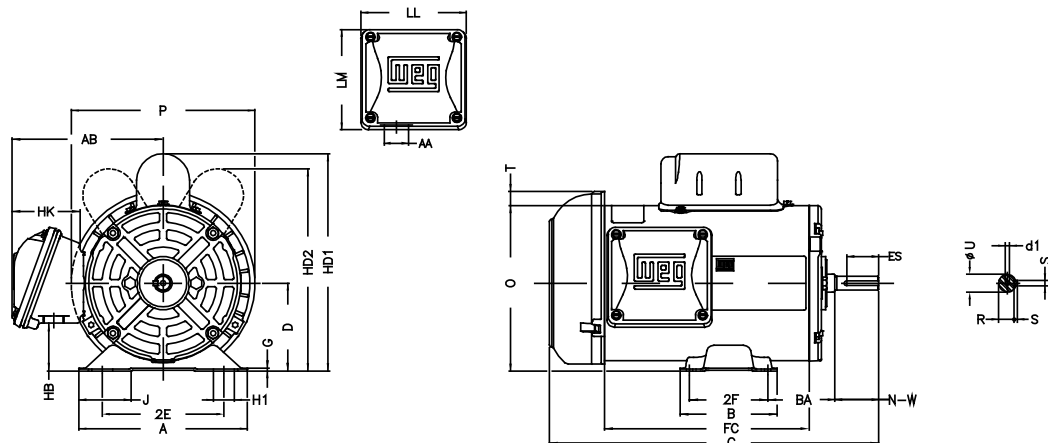
Frame	R	Depth	D	G	O	HD	Hole H	C	AA	T	DE	NDE
48	0.451		3	0.075	5.83	6.354	0.343	*	0.881"	0.524	6203 ZZ	6202 ZZ
W56	0.517	0.187	3.5	0.12	6.33	6.854	0.343	*	0.881"	0.524	6203 ZZ	6202 ZZ
56	0.517	0.187	3.5	0.12	6.724	7.327	0.343	*	0.881"	0.603	6203 ZZ	6202 ZZ
56H	0.517	0.187	3.5	0.12	6.724	7.327	0.343	*	0.881"	0.603	6204 ZZ	6202 ZZ
143/5T	0.771	0.187	3.5	0.12	6.724	7.327	0.343	*	1.118"	0.603	6205 ZZ	6203 ZZ
182/4T	0.984	0.25	4.5	0.167	8.557	9.218	0.406	*	1.118"	0.661	6206 ZZ	6205 ZZ
213/5T	1.203	0.313	5.25	0.167	10.144	10.905	0.406	*	1.377"	0.761	6208 ZZ	6206 ZZ

* Dimension changes with output speed

Frame 48

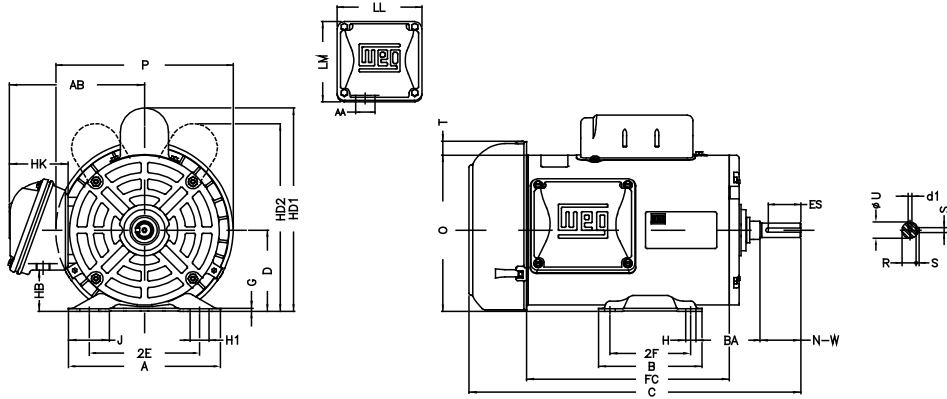


Frame W56

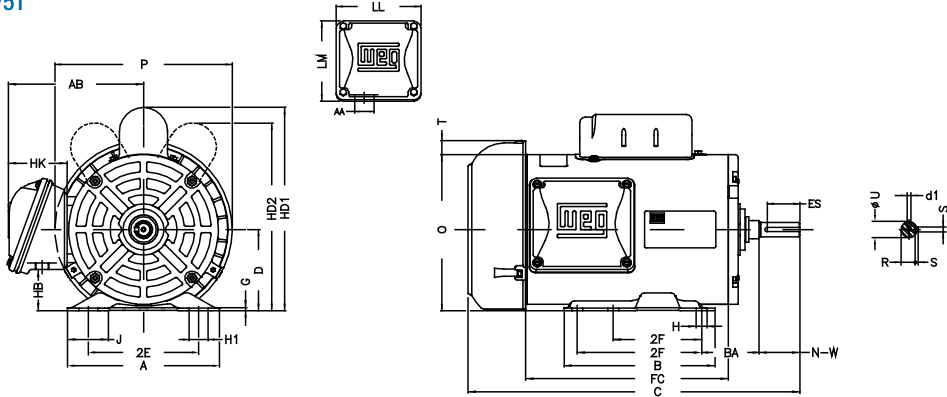


Single Phase - General Purpose - TEFC - Rolled Steel - Standard Efficiency

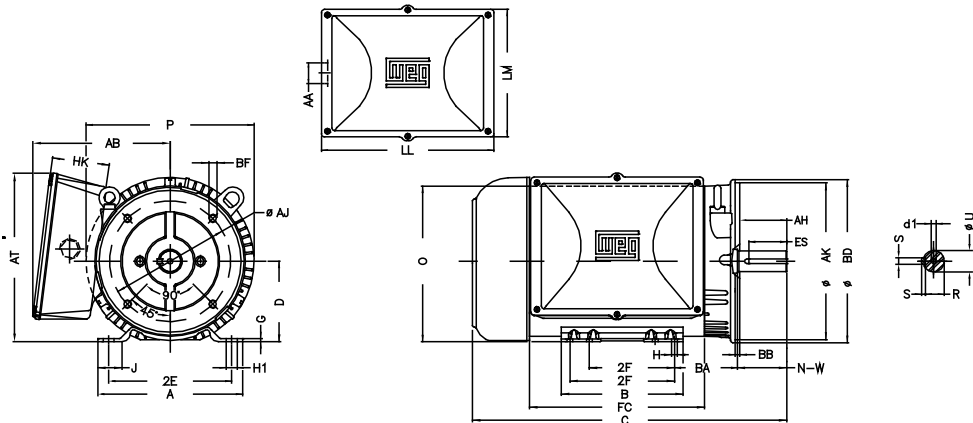
Frame 56



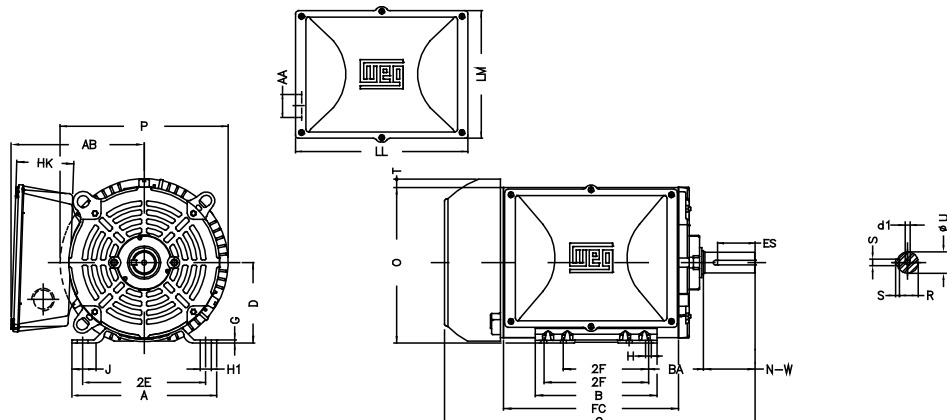
Frames 56H - 143T/5T



Frame 182/4T



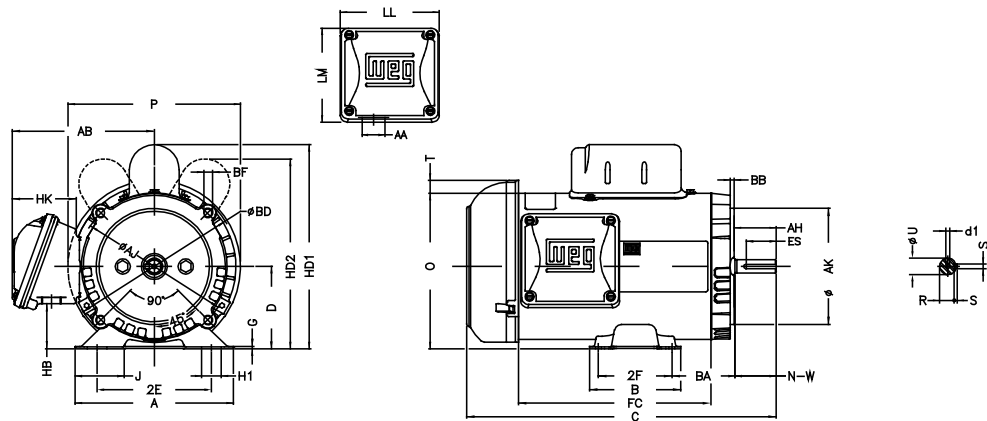
Frame 213/5T



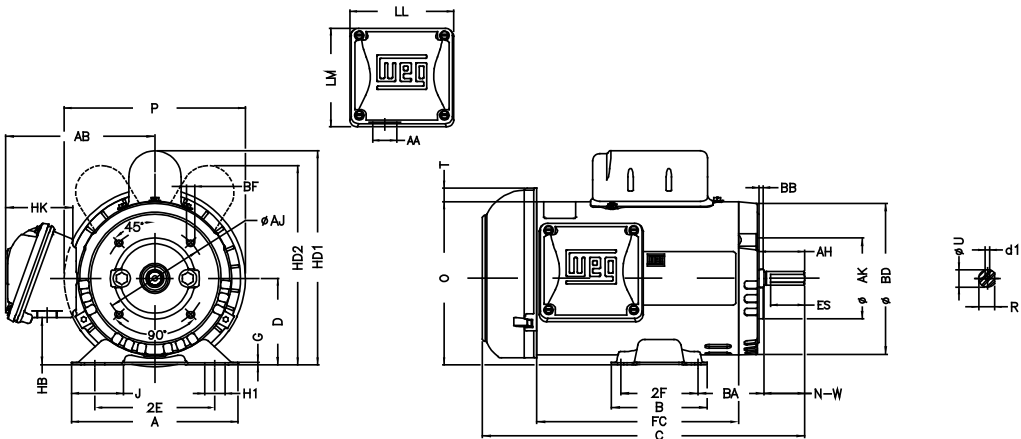
Single Phase - General Purpose - TEFC - Rolled Steel - Standard Efficiency - C-Face

Frame	Type	Flange	Size	AJ	AK	BD	S	T	AH	Angle	BB	BF Number
W56	C	C	FC-149	5.874	4.5	6.47	UNC 3/8"x16-2B	0.157	2.063	45°	0.157	4
48	C	C	FC-95	3.748	3	4.74	UNC 1/4"x20-2B	0.157	1.689	45°	0.157	4
56	C	C	FC-149	5.874	4.5	6.45	UNC 3/8"x16-2B	0.157	2.062	45°	0.157	4
143/5T	C	C	FC-149	5.874	4.5	6.45	UNC 3/8"x16	0.157	2.132	45°	0.157	4
56H	C	C	FC-149	5.874	4.5	6.45	UNC 3/8"x16-2B	0.157	2.062	45°	0.157	4
182/4T	C	C	FC-184	7.25	8.5	8.846	UNC 1/2"x13	0.25	2.62	45°	0.25	4
213/5T	C	C	FC-184	7.25	8.5	9.401	UNC 1/2"x13	0.25	3.129	45°	0.25	4

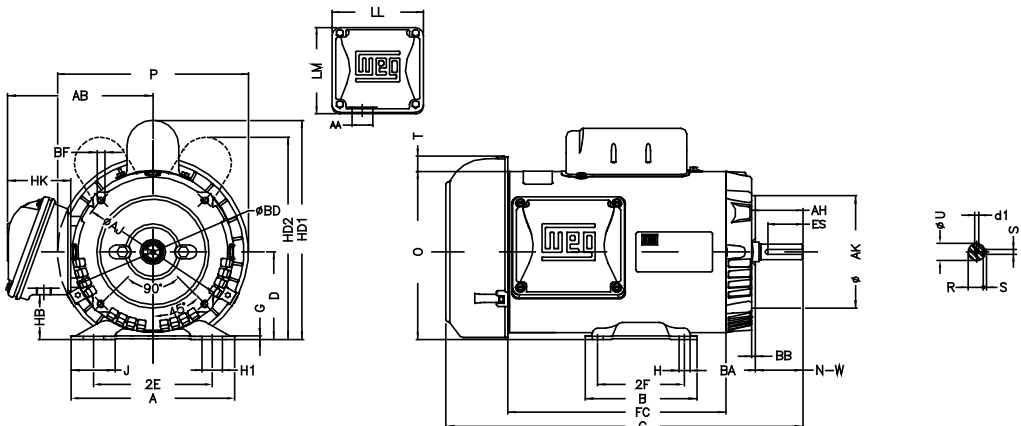
Frame W56



Frame 48

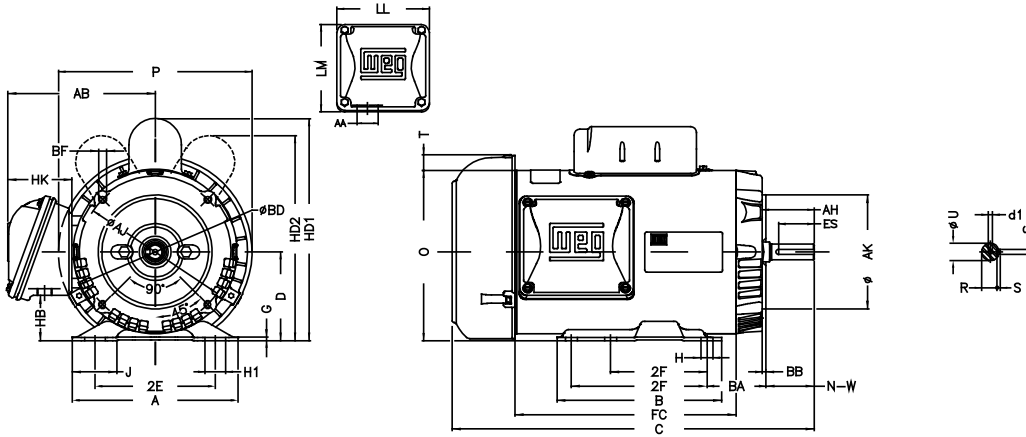


Frame 56

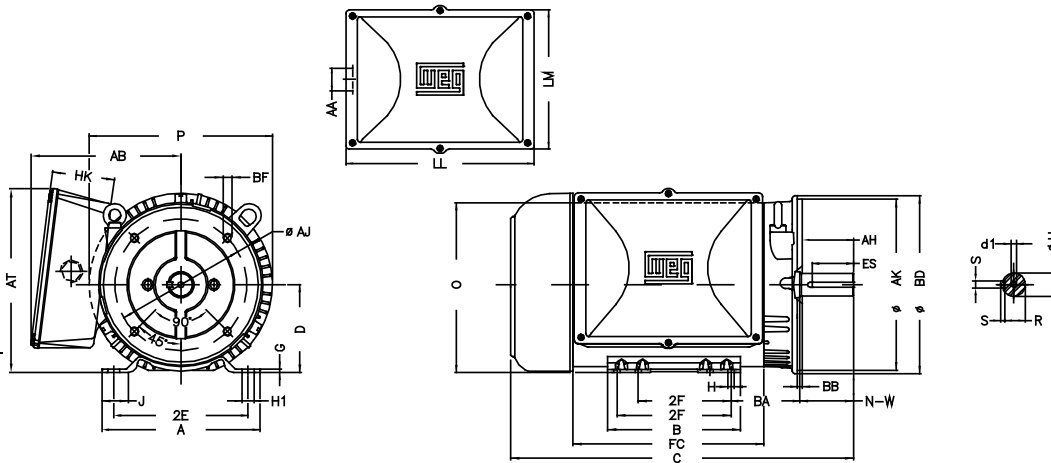


Single Phase - General Purpose - TEFC - Rolled Steel - Standard Efficiency - C-Face

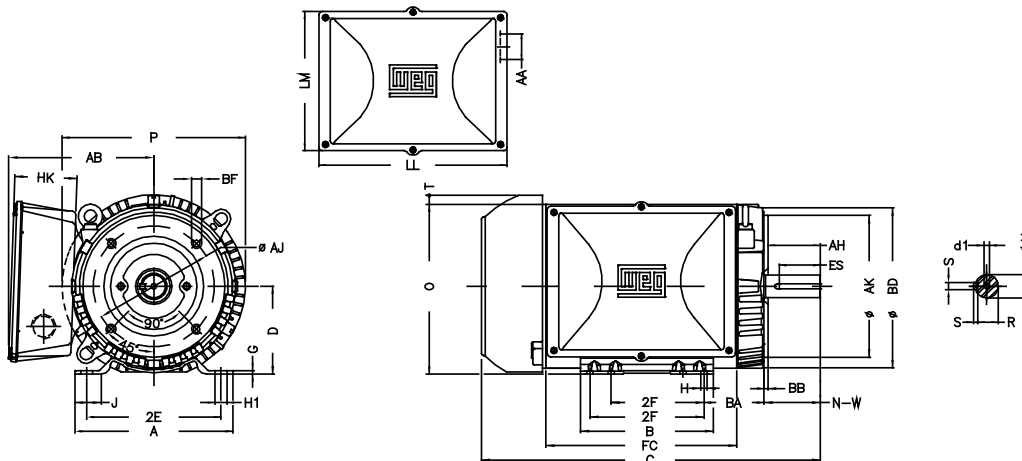
Frames 56H - 143/5T



Frame 182/4T



Frame 213/5T



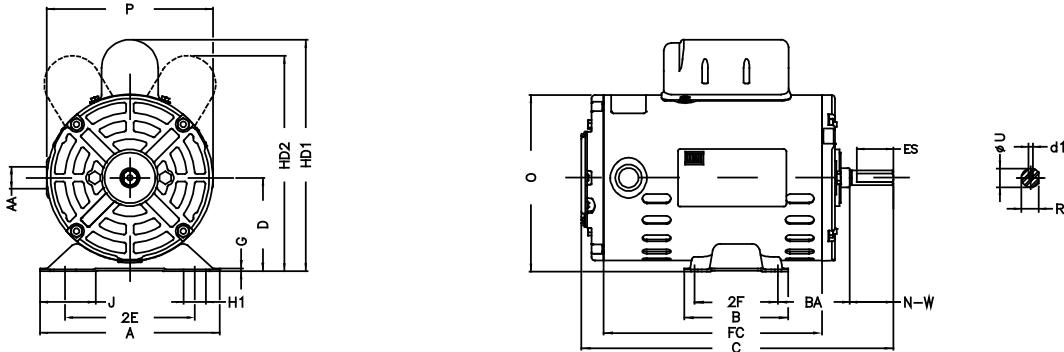
Single Phase - General Purpose - ODP - Rolled Steel - Standard Efficiency

Frame	2E	J	A	P	AB	AH	2F	B	BA	CH	U	N-W	Key Length	R
48	4.236	1.835	6.142	5.709	5.52	1.689	2.748	3.543	2.5	1.22	0.5	1.5	1.26	0.451
W56	4.874	1.62	6.535	5.709	5.52	2.063	3	4.016	2.75	1.22	0.625	1.874	1.417	0.517
56	4.874	1.732	6.535	6.456	3.323	2.062	3	4.016	2.75	1.377	0.625	1.874	1.417	0.517
56H	4.874	1.732	6.535	6.456	5.882	2.062	3.000/5.000	6.496	2.75	1.377	0.625	1.874	1.417	0.517
143/5T	5.5	1.732	6.535	6.467	5.882	2.132	4.000/5.000	6.496	2.25	1.377	0.875	2.25	1.417	0.771
182/4T	7.5	1.299	8.661	8.114	6.696	2.62	4.500/5.500	6.299	2.75	1.377	1.125	2.75	1.969	0.984
213/5T	8.5	1.575	9.449	9.846	7.973	3.129	5.500/7.000	7.953	3.5	1.929	1.375	3.38	2.48	1.203

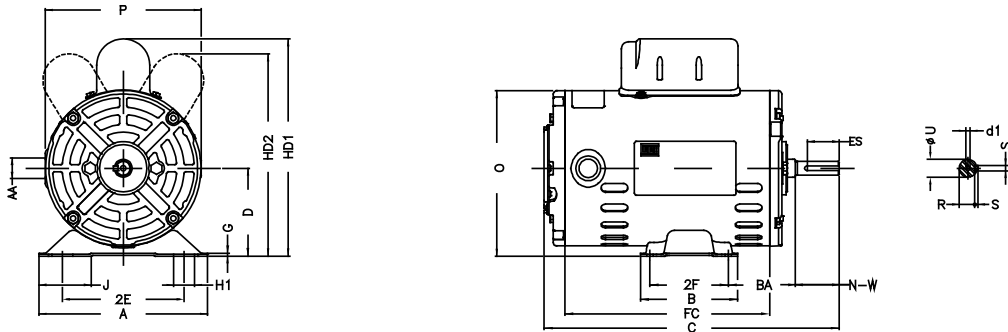
Frame	D	G	HB	O	HD	HK	Hole H	C	LL	LM	S	AA	T	DE	NDE
48	3	0.075	1.559	5.83	6.354	2.65	0.343	*	3.835	3.697		NPT 1/2"	0.524	6203 ZZ	6202 ZZ
W56	3.5	0.12	2.055	6.33	6.854	2.65	0.343	*	3.835	3.697	0.187	NPT 1/2"	0.524	6203 ZZ	6202 ZZ
56	3.5	0.12	1.784	6.724	6.728	2.629	0.343	*	4.563	4.09	0.187	NPT 1/2"	0.004	6203 ZZ	6202 ZZ
56H	3.5	0.12	1.783	6.724	6.728	2.638	0.343	*	4.543	4.106	0.187	NPT 1/2"	0.004	6204 ZZ	6202 ZZ
143/5T	3.5	0.12	1.783	6.724	6.728	2.638	0.343	*	4.543	4.106	0.187	1.118"	0.004	6205 ZZ	6202 ZZ
182/4T	4.5	0.167	2.784	8.557	8.557	2.629	0.406	*	4.563	4.09	0.25	1.118"	0	6206 ZZ	6205 ZZ
213/5T	5.25	0.167	2.982	10.144	10.173	3.022	0.406	*	5.551	5.25	0.313	1.377"	0.029	6208 ZZ	6206 ZZ

Dimensions change with output speed

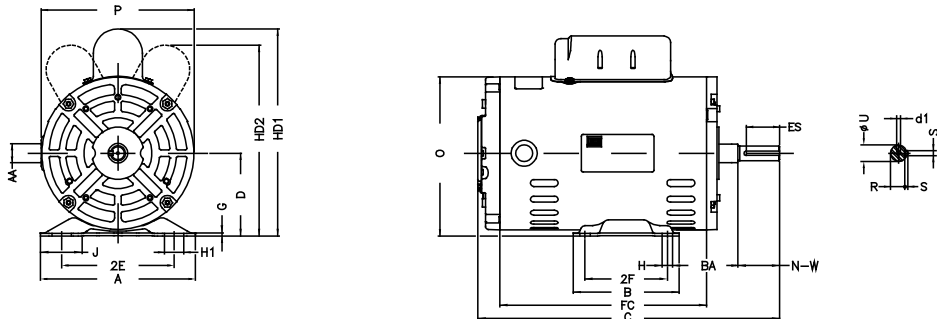
Frame 48



Frame W56

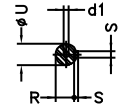
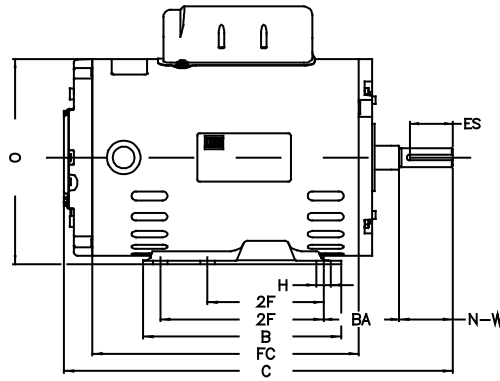
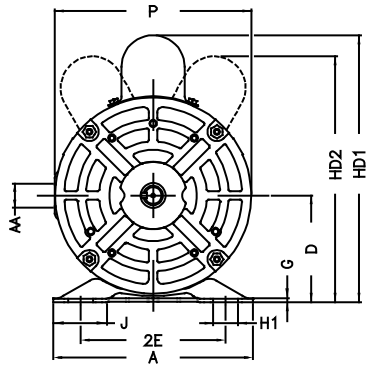


Frame 56

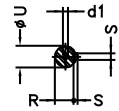
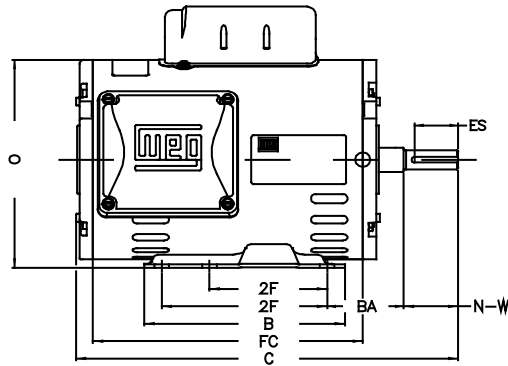
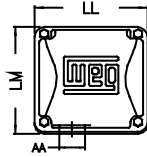
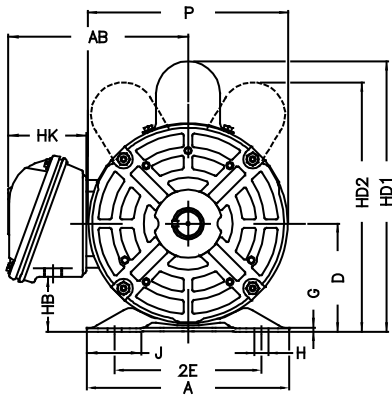


Single Phase - General Purpose - ODP - Rolled Steel - Standard Efficiency

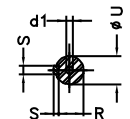
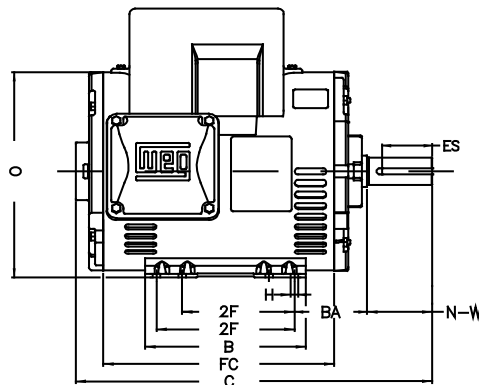
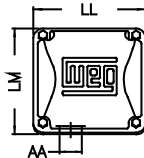
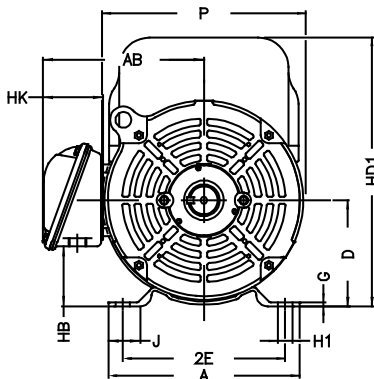
Frame 56H



Frame 143/5T



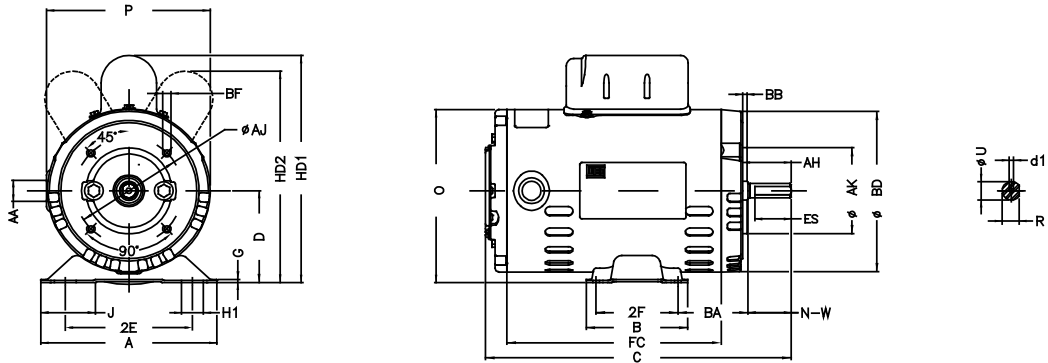
Frame 182/4T - 213/5T



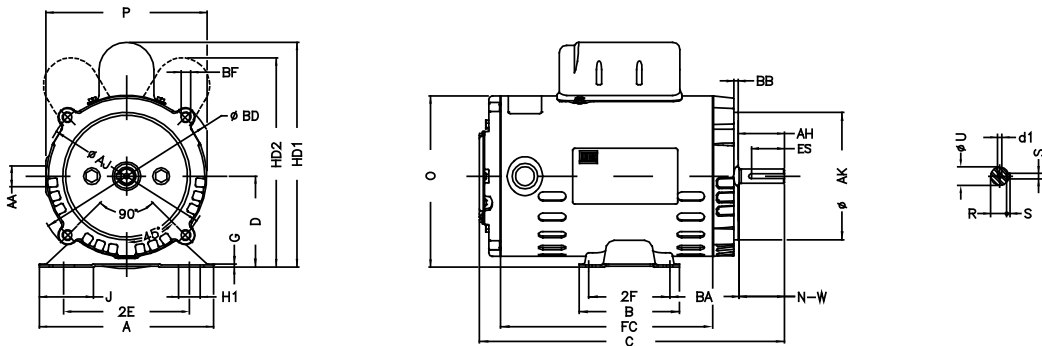
Single Phase - General Purpose - ODP - Rolled Steel - Standard Efficiency - C-Face

Frame	Type	Flange	Size	AJ	AK	BD	S	T	AH	Angle	BF Number
W56	C	C	FC-149	5.874	4.5	6.47	UNC 3/8"x16-2B	0.157	2.063	45°	4
48	C	C	FC-95	3.748	3	4.74	UNC 1/4"x20-2B	0.157	1.689	45°	4
56	C	C	FC-149	5.874	4.5	6.45	UNC 3/8"x16-2B	0.157	2.062	45°	4
143/5T	C	C	FC-149	5.874	4.5	6.45	UNC 3/8"x16	0.157	2.132	45°	4
56H	C	C	FC-149	5.874	4.5	6.45	UNC 3/8"x16-2B	0.157	2.062	45°	4
182/4T	C	C	FC-184	7.25	8.5	8.846	UNC 1/2"x13	0.25	2.62	45°	4
213/5T	C	C	FC-184	7.25	8.5	9.401	UNC 1/2"x13	0.25	3.129	45°	4

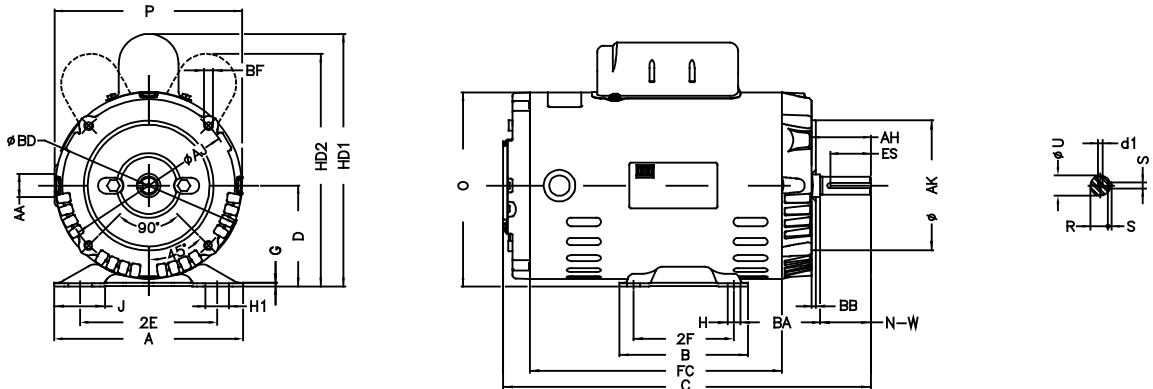
Frame 48



Frame W56

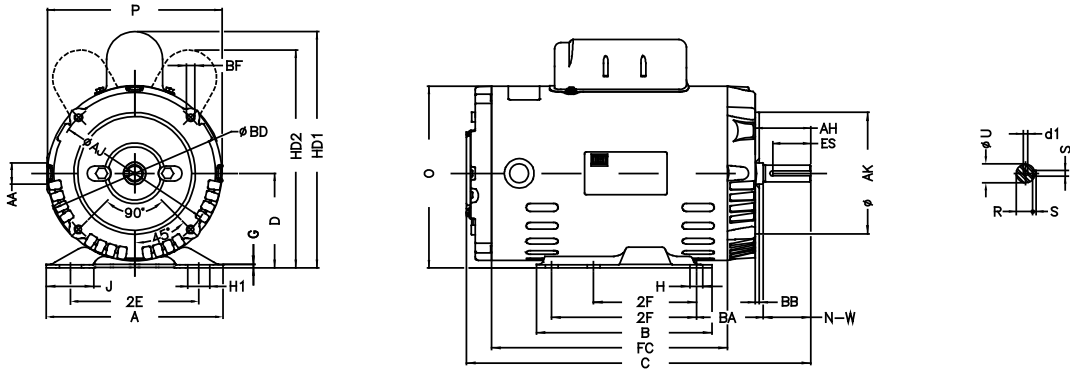


Frame 56

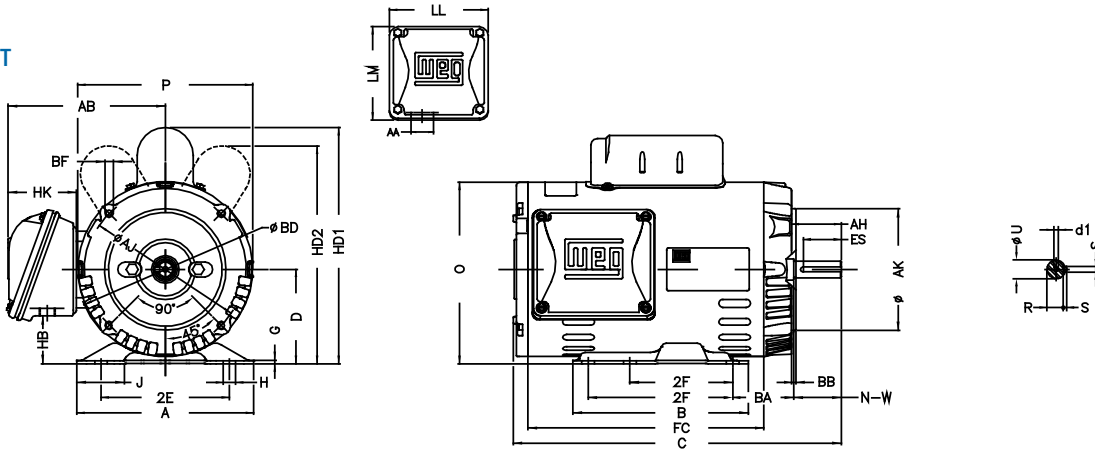


Single Phase - General Purpose - ODP - Rolled Steel - Standard Efficiency - C-Face

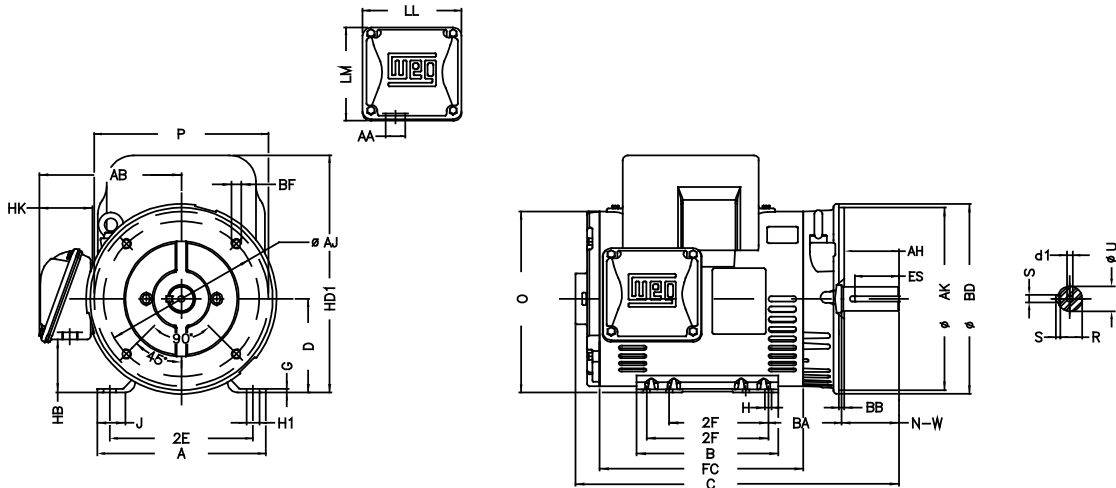
Frame 56H



Frame 143/5T



Frame 182/4T - 213/5T



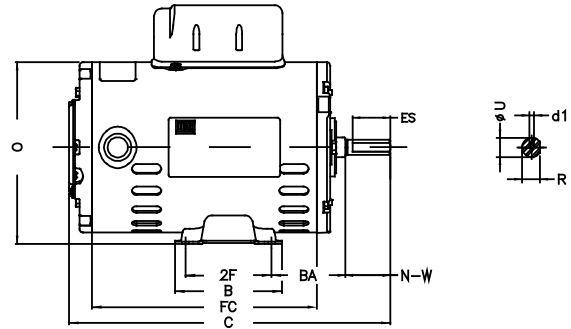
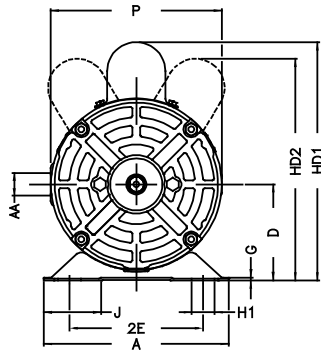
Single Phase - General Purpose - ODP - Rolled Steel - Premium Efficiency

Frame	2E	J	A	P	AB	AH	2F	B	BA	CH	U	N-W	Key Length	R	Depth
48	4.236	1.835	6.142	5.709	5.52	1.689	2.748	3.543	2.5	1.22	0.5	1.5	1.26	0.451	
W56	4.874	1.62	6.535	5.709	5.52	2.063	3	4.016	2.75	1.22	0.625	1.874	1.417	0.517	0.187
56	4.874	1.732	6.535	6.456	3.323	2.062	3	4.016	2.75	1.377	0.625	1.874	1.417	0.517	0.187
56H	4.874	1.732	6.535	6.456	5.882	2.062	3.000/5.000	6.496	2.75	1.377	0.625	1.874	1.417	0.517	0.187
143/5T	5.5	1.732	6.535	6.467	5.882	2.132	4.000/5.000	6.496	2.25	1.377	0.875	2.25	1.417	0.771	0.187

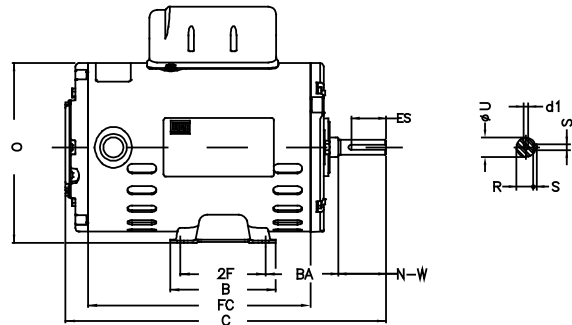
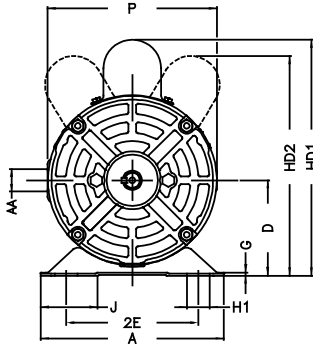
Frame	D	G	HB	O	HD	HK	Hole H	C	LL	LM	S	T	DE	NDE
48	3	0.075	1.559	5.83	6.354	2.65	0.343	*	3.835	3.697		0.524	6203 ZZ	6202 ZZ
W56	3.5	0.12	2.055	6.33	6.854	2.65	0.343	*	3.835	3.697	0.187	0.524	6203 ZZ	6202 ZZ
56	3.5	0.12	1.784	6.724	6.728	2.629	0.343	*	4.563	4.09	0.187	0.004	6203 ZZ	6202 ZZ
56H	3.5	0.12	1.783	6.724	6.728	2.638	0.343	*	4.543	4.106	0.187	0.004	6204 ZZ	6202 ZZ
143/5T	3.5	0.12	1.783	6.724	6.728	2.638	0.343	*	4.543	4.106	0.187	0.004	6205 ZZ	6202 ZZ

Dimensions change with output speed

Frame 48

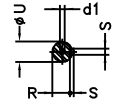
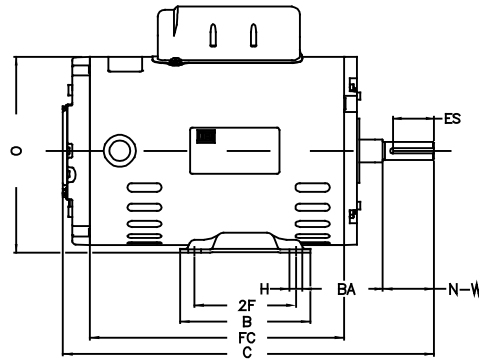
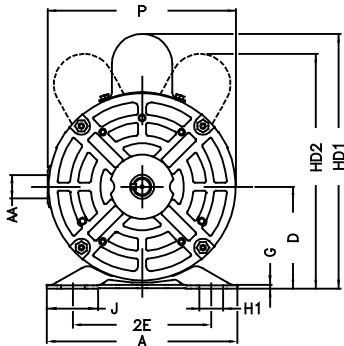


Frame W56

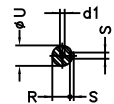
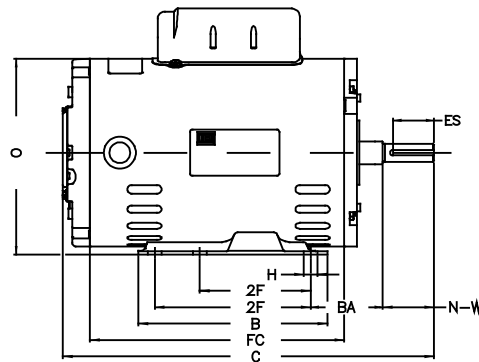
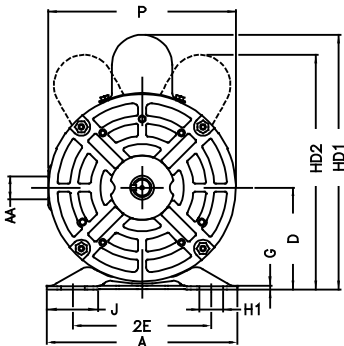


Single Phase - General Purpose - ODP - Rolled Steel - Premium Efficiency

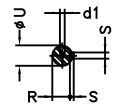
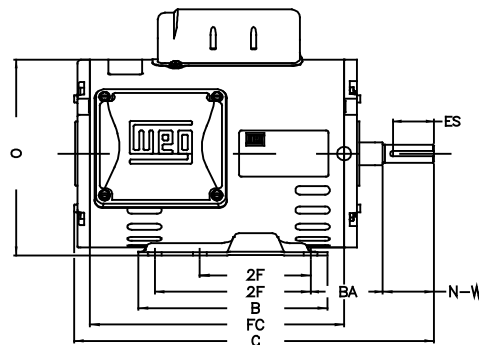
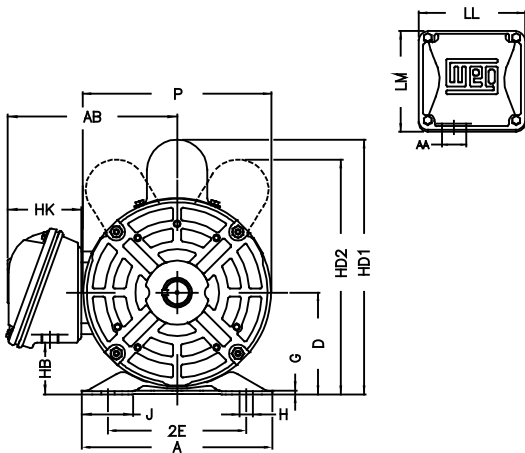
Frame 56



Frame 56H



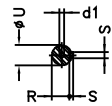
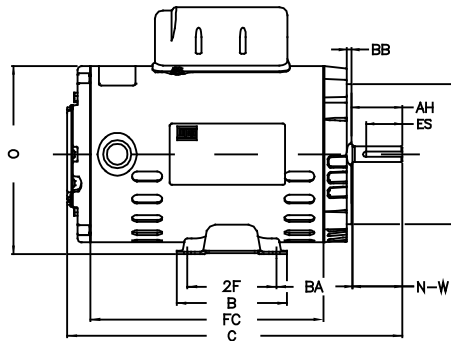
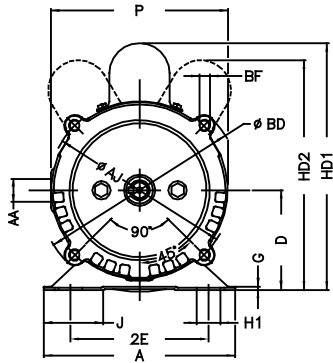
Frame 143/5T



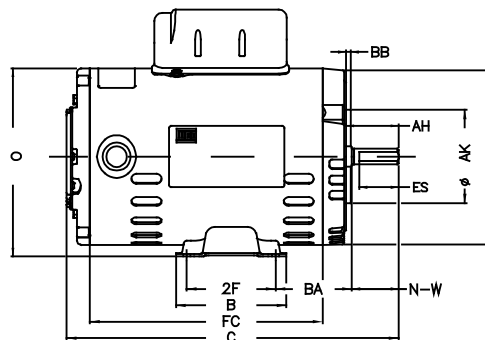
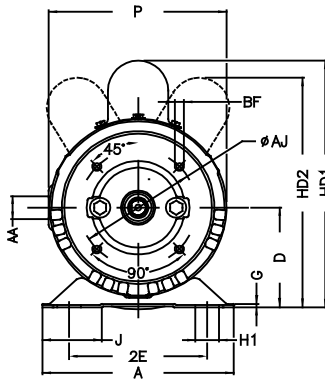
Single Phase - General Purpose - ODP - Rolled Steel - Premium Efficiency - C-Face

Frame	Type	Flange	Size	BB	AJ	AK	BD	S	T	AH	Angle	BF Number
W56	C	C	FC-149	0.157	5.874	4.5	6.47	UNC 3/8"x16-2B	0.157	2.063	45°	4
48	C	C	FC-95	0.157	3.748	3	4.74	UNC 1/4"x20-2B	0.157	1.689	45°	4
56	C	C	FC-149	0.157	5.874	4.5	6.45	UNC 3/8"x16-2B	0.157	2.062	45°	4
143/5T	C	C	FC-149	0.157	5.874	4.5	6.45	UNC 3/8"x16	0.157	2.132	45°	4
56H	C	C	FC-149	0.157	5.874	4.5	6.45	UNC 3/8"x16-2B	0.157	2.062	45°	4

Frame W56

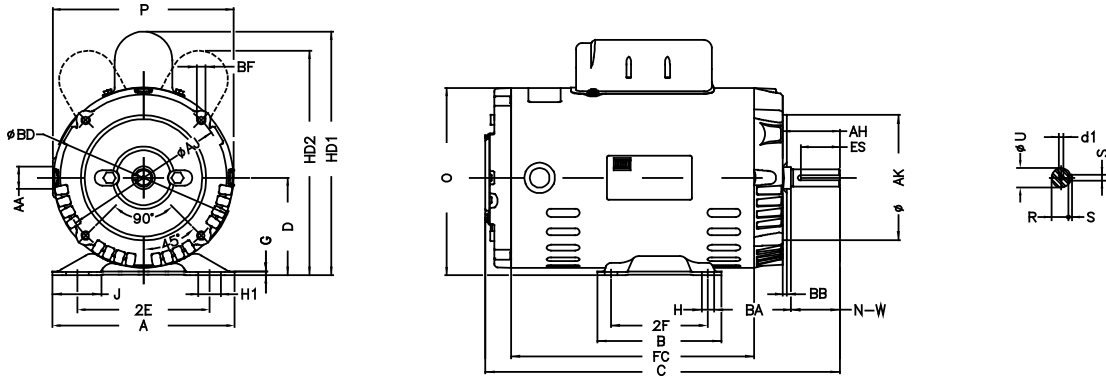


Frame 48

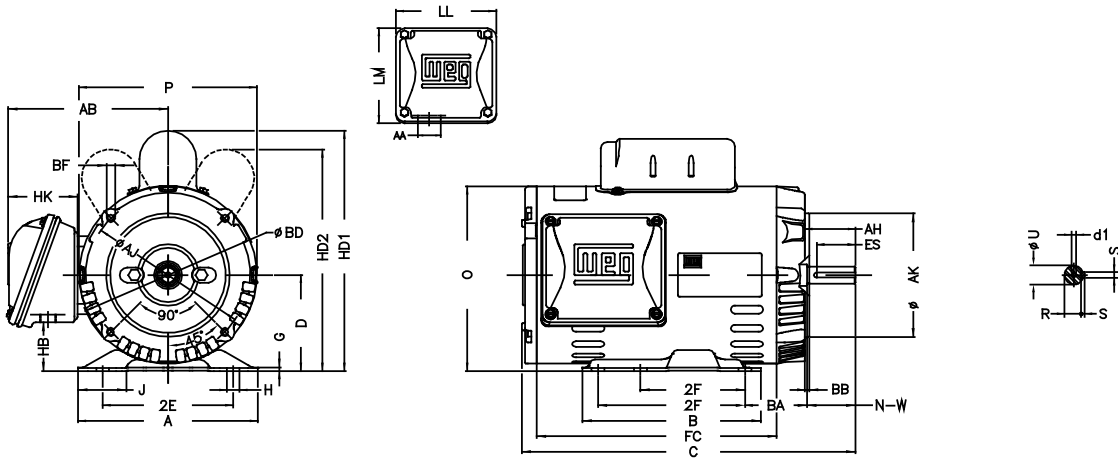


Single Phase - General Purpose - ODP - Rolled Steel - Premium Efficiency - C-Face

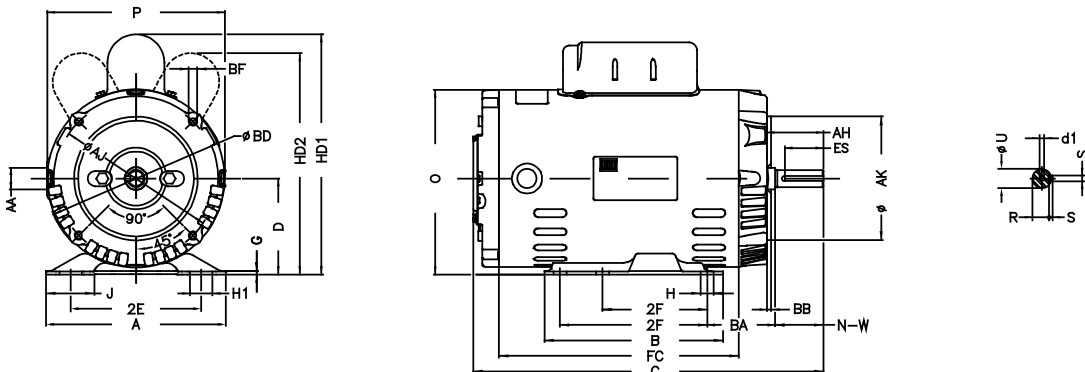
Frame 56



Frame 143/5T



Frame 56H



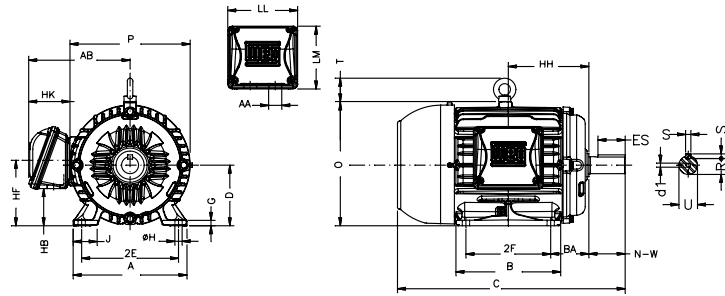
Frame	Mounting				A	B	C	D	G	J	O	K	P	T	Keyway			Shaft Extension														
	2E	2F	H	BA											S	R	ES	N-W	U													
143T	5.500	4.000	0.344	2.250	6.457	5.157	12.346	3.500	0.354	1.437	7.122		7.047	-	0.187	0.765	1.575	2.250	0.875													
L143T						13.566																										
145T						13.346																										
L145T						14.566																										
182T	7.500	4.500	0.406	2.750	8.661	5.945	14.860	4.500	0.394	1.594	9.343	-	8.740	1.772	0.250	0.984	1.969	2.750	1.125													
L182T						16.041																										
184T						15.860																										
L184T						17.041																										
213T	8.500	5.500	0.406	3.500	9.764	7.362	18.021	5.250	0.827	1.988	10.841		10.669	-	0.313	1.203	2.480	3.375	1.375													
L213T						19.527																										
215T						19.517																										
L215T						20.905																										
254T	10.000	8.252	0.531	4.250	12.126	10.000	23.213	6.250		2.539	12.598	2.559	12.953	2.087	0.375	1.406	2.756	4.000	1.625													
256T						11.732	24.945										2.480	3.250														
284TS						11.000	9.500										4.750	13.780	11.575	25.061	3.149	4.622	1.875									
284T						26.433	7.000										1.023	3.110	14.067	2.874	14.173	0.500	1.594	2.756	4.622	1.875						
286TS	11.000	11.000	0.657	5.250	15.157	26.557	26.557	8.000	1.300	3.189	15.953	3.189	15.827	2.441	0.500	1.844	3.149	4.622	1.875													
286T						27.929	28.120										2.756	3.750														
324TS						12.500	10.500										0.657	5.250	15.157	28.120	29.620	8.000	1.300	3.189	15.953	3.189	15.827	2.441	0.500	1.594	2.756	3.750
324T																				29.620	31.116									1.844	3.937	
326TS	12.000	12.000	0.660	5.875	17.165			31.116	32.276	9.000	1.480	3.150	17.957	4.921	17.914	-				0.625	2.021									3.000	4.750	
326T								32.276	34.251												1.591									1.968		
364/5TS						14.016	11.260/12.244	0.660	5.875								17.165	34.251	36.732		10.000	1.811		19.566	5.669	19.134	-	0.500	1.842	2.756	4.250	
364/5T																		36.732	39.730										1.842	2.756		
404/5TS	15.984	12.244/13.740	0.810	6.625	19.921					39.730	41.200	11.000	1.630	3.937		5.866		23.583	-	0.750									2.449	5.512	7.250	
404/5T										41.200	44.951																		2.021	3.000		
444/5TS						18.000	14.500/16.500	0.810	7.500	21.929	44.951						48.701				11.000	1.654		22.795	6.692	25.866	-	0.625	2.021	3.000	4.750	
444/5T											48.701						52.588												0.875	2.880		
445/7TS	16.500/20.000	20.000/25.000	0.810	7.500	21.929						52.588	55.027	11.000	1.630	4.331		6.692	25.866	-	0.875									2.880	7.087	8.500	
445/7T											55.027	57.181																	0.625	2.021		
447/9TS						20.000/25.000	20.000/25.000	0.810	7.500	21.929	57.181	59.381									11.000	1.630	3.937	23.874	8.780	25.866	-	0.625	2.021	3.000	4.750	
447/9T											59.381	62.506																	0.875	2.880		
L447/9TS	20.000/25.000	20.000/25.000	0.810	7.500	21.929						62.506	69.381	11.000	1.630	3.937	23.874	8.780	25.866	-	0.625									2.021	3.000	4.750	
L447/9T											69.381	72.288																	0.875	2.880		
504/5TS						20.000	16.000/18.000	1.250	8.500	24.724	72.288	75.027									12.500	2.146	4.724	25.425	7.228	28.977	-	0.625	2.021	3.000	4.750	
504/5T											75.027	78.087																	0.875	2.880		
586/7TS	23.000	22.000/25.000	1.181	10.000	29.528						78.087	81.047	14.500	2.492	5.512	28.985	9.055	28.977	-	1.000									3.312	8.661	11.625	
586/7T											81.047	84.007																	0.625	2.021		
588/9TS						28.000/32.000	28.000/32.000	1.181	10.000	29.528	84.007	87.007									14.500	2.492	5.512	28.985	13.030	28.977	-	1.000	3.312	8.661	11.625	
588/9T											87.007	90.007																	0.625	2.021		

Frame	Terminal Box											d1	Bearings						
	AB	HB	HD	HF	HG	HH	HK	LL	LM	AA	D.E.		N.D.E.						
143T	6.181	1.728		3.500		4.250	2.638		4.527	4.094	NPT3/4"								
L143T						4.750													
145T						5.000													
L145T						5.500													
182T	7.559	2.236		4.500		5.000	3.110		5.512	5.236	NPT1"								
L182T						5.500													
184T						6.250													
L184T						7.000													
213T	8.583	3.006		5.250		7.000	3.110		5.512	5.236	NPT1"								
L213T						8.376													
215T						9.250													
L215T						9.500													
254T	10.394	3.061		6.565		9.500	3.937		7.795	7.402	NPT1 1/2"								
256T						10.250													
284TS						10.500													
284T						11.250													
286TS	10.984	3.535		7.000		10.250	3.937		7.795	7.402	NPT1 1/2"								
286T						10.500													
324TS						11.250													
324T						12.362													
326TS	12.480	4.811		8.708		12.362	4.645		8.976	8.543	NPT 2"								
326T						14.213													
364/5TS						15.748													
364/5T						15.748													
404/5TS	18.386	5.394				15.748	5.787		11.811	11.890									
404/5T						17.441													
444/5TS						17.441													
444/5T						17.441													
445/7TS	20.670	15.078	27.401	25.889	27.007	11.803	6.968		14.646	15.040									
445/7T						12.519													
447/9TS						12.519													
447/9T						12.519													
L447/9TS	23.071	15.078	27.401	25.889	27.007	11.500	8.464		15.906	17.244	2xNPT 3"								
L447/9T						12.519													
504/5TS						12.519													
504/5T						12.519													
586/7TS	23.977	18.149	35.354	27.559	30.801	13.386	8.464		15.906	17.244									
586/7T						12.519													
588/9TS						12.519													
588/9T						12.519													
588/9T	27.600	6.063	35.346	26.182	33.346	13.386	12.519 (side mounted)/ 13.977 (top mounted)		17.441	28.740									
588/9T						12.519													

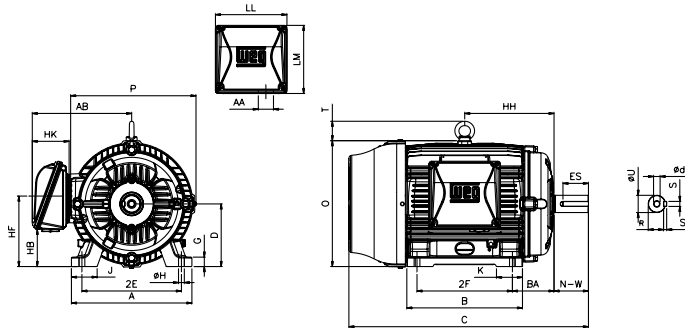
Note:
182T and 184T motors are not available in F-3 mounting.

TEFC – W22 NEMA Premium® Efficiency *continued*

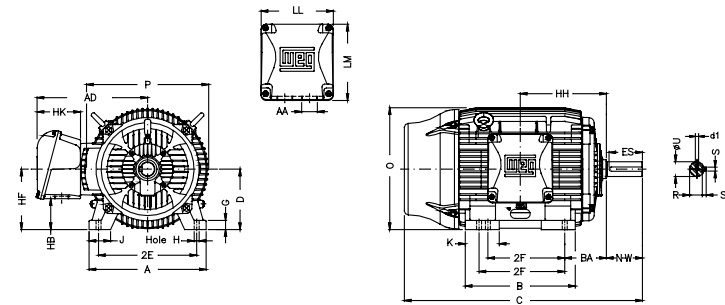
Frames 143T to 215T



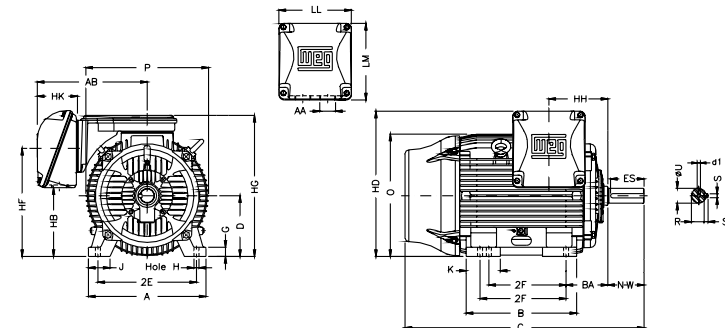
Frames 254T to 326T



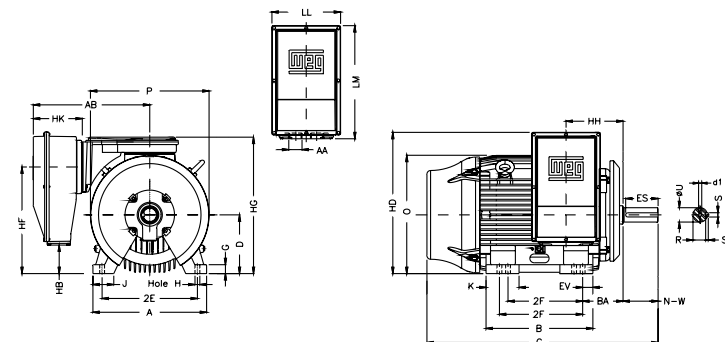
Frames 364 to 444/5T



Frames 445/7T to 586/7T

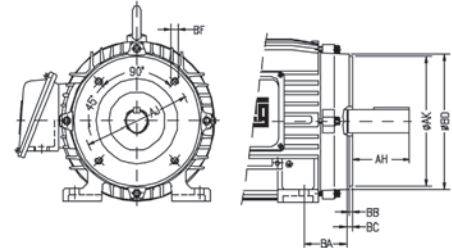


Frame 588/9T



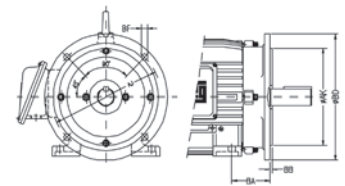
C & D Flanges Dimensions – Valid for Cast Iron TEFC and ODP - C-Flange additional detail

Frame	Type	Size	AJ	AK	AH	BA	BB	BC	BD	BF (holes)	
										Quantity	Thread
143/5	C	FC-140	5.875	4.500	2.125	2.250	0.157	0.125	6.500	4	UNC 3/8"x16
182/4	C	FC-184	7.250	8.500	2.625	2.750	0.125		8.875		
213/5	C				3.125	3.500					
254/6	C				3.750	4.250					
284/6T	C	FC-228	9.000	10.500	4.375	4.750	0.125	11.030	4	4	UNC 1/2"x13
284/6TS	C				3.000						
324/6T	C	FC-279	11.000	12.500	5.000	5.250	0.125	13.580	4	4	UNC 1/2"x13
324/6TS	C				3.500						
364/5T	C				5.625	5.875					
364/5TS	C				3.500						
404/5T	C				7.000	6.625					
404/5TS	C				4.000						
444/5T	C	FC-355	14.000	16.000	8.250	7.500	0.250	17.910	8	8	UNC 5/8"x11
444/5TS	C				4.500						
445/7T	C				8.250						
445/7TS	C				4.500						
447/9T	C				8.250						
447/9TS	C				4.500						
504/5T	C	FC-368	14.500	16.500	10.375	8.500	0.250	17.910	8	8	UNC 5/8"x11
504/5TS	C				4.500						
586/7T	C				11.375	10.000					
586/7TS	C				4.500						
588/9T	C				11.375						
588/9TS	C				4.500						



D-Flange additional detail

Frame	Type	Size	AJ	AK	BA	BB	BD	BF (holes)	
								Quantity	Thread
143/5	D	FD-254	10.000	9.000	2.250	0.197	11.000	4	0.562
182/4	D				2.750				
213/5	D				3.500				
254/6	D	FD-317	12.500	11.000	4.250	0.203	14.000	4	0.562
284/6T	D				4.750				
284/6TS	D	FD-406	16.000	14.000	5.250	0.197	17.710	8	0.828
324/6T	D				7.500				
324/6TS	D								
364/5T	D				21.650				
364/5TS	D								
404/5T	D				32.000				
404/5TS	D	32.000							
444/5T	D		FD-508	20.000	18.000	7.500	0.203	21.650	8
444/5TS	D								
445/7T	D								
445/7TS	D								
447/9T	D								
447/9TS	D								
504/5T	D	FD-558	22.000	8.500	8.500	0.250	24.800	8	0.828
504/5TS	D								
586/7T	D	FD-762	30.000	30.000	10.000	0.250	32.000	8	0.828
586/7TS	D								
588/9T	D								
588/9TS	D								

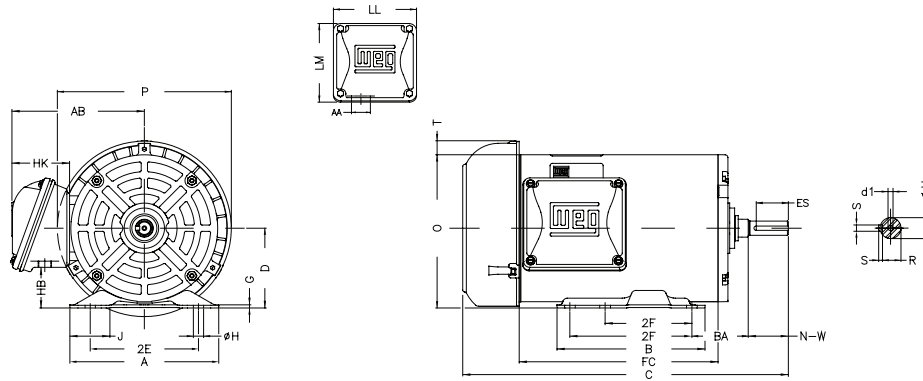


Rolled Steel - General Purpose - Three Phase - TEFC

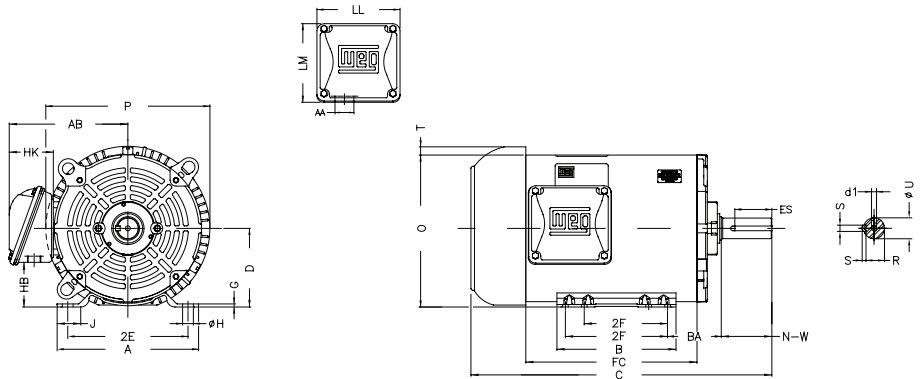
Frame	P	AB	HK	HB	J	2E	A	H1	D	G	LL	LM
143/5T	7.638	5.882	2.638	1.783	1.732	5.500	6.535	-	3.500	0.120	4.543	4.106
182/4T	9.435	6.696	2.629	2.784	1.299	7.500	8.661	-	4.500	0.167	4.563	4.090
213/5T	10.965	7.973	3.022	2.982	1.575	8.500	9.449	-	5.250	0.167	5.551	5.250
254/6T	13.180	9.448	3.645	3.631	1.693	10.000	11.417	-	6.250	0.187	6.299	6.017

Frame	AA	O	T	Hole H	2F	B	BA	N-W	ES	U	d1	S	R
143/5T	1.118"	6.724	0.603	0.343	4.000/5.000	6.496	2.250	2.250	1.417	0.875	A 3.15	0.187	0.771
182/4T	1.118"	8.557	0.661	0.406	4.500/5.500	6.299	2.750	2.750	1.969	1.125	A 3.15	0.250	0.984
213/5T	1.377"	10.144	0.761	0.406	5.500/7.000	7.953	3.500	3.380	2.480	1.375	A 4	0.313	1.203
254/6T	1.732"	12.010	0.83	0.530	8.252/10.000	11.417	4.250	4.000	2.756	1.625	A 4	0.375	1.416

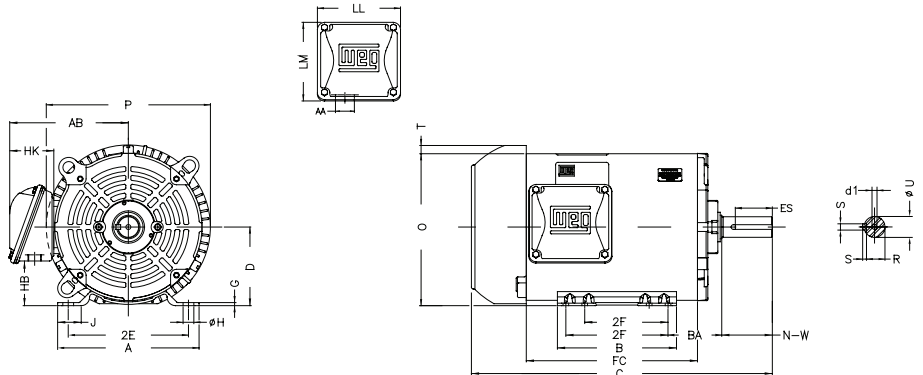
Frames 143



Frames 182



Frame 213 to 256

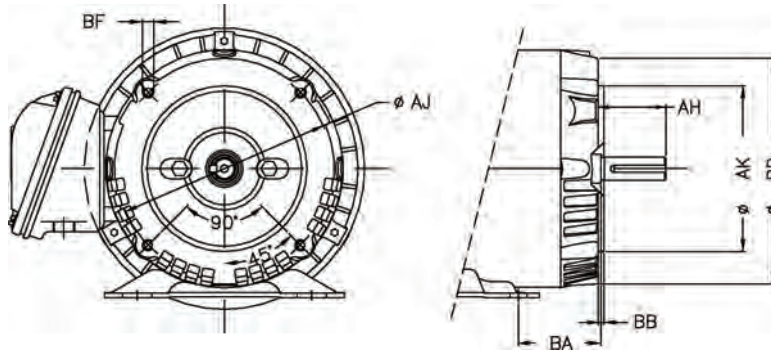


Rolled Steel - General Purpose - Three Phase - TEFC - *continued*

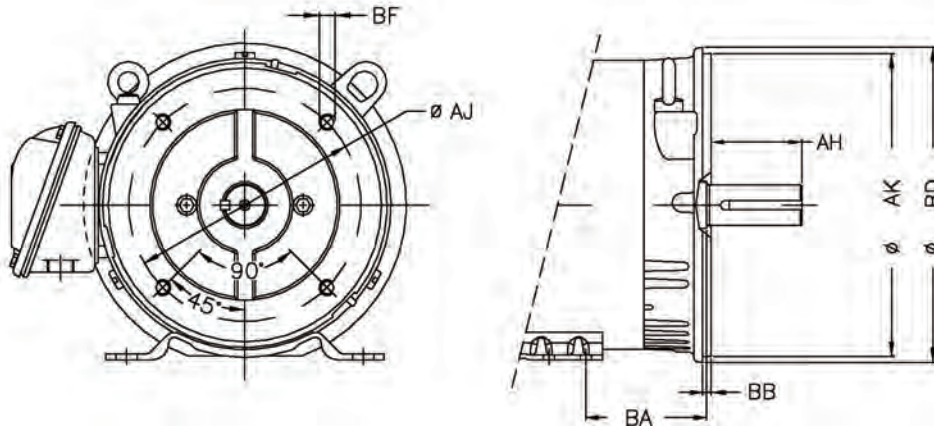
Dimensions for C-Face motors

Frame	Size	AJ	AK	BD	BF	BB	AH	Angle	BF Number
143/5T	FC-149	5.874	4.500	6.449	UNC 3/8"x16	0.157	2.132	45°	4
182/4T	FC-184	7.250	8.500	8.846	UNC 1/2"x13	0.250	2.620	45°	4
213/5T	FC-184	7.250	8.500	9.401	UNC 1/2"x13	0.250	3.129	45°	4
254/6T	FC-184	7.250	8.500	11.084	UNC 1/2"x13	0.250	3.750	45°	4

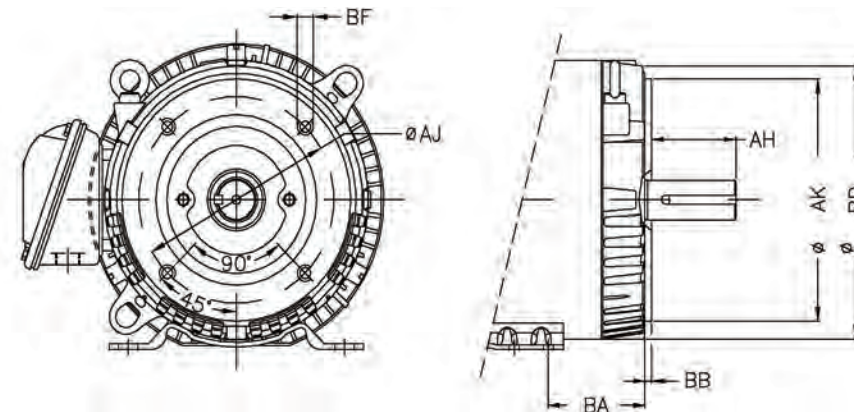
Frames 143



Frames 182



Frame 213 to 254

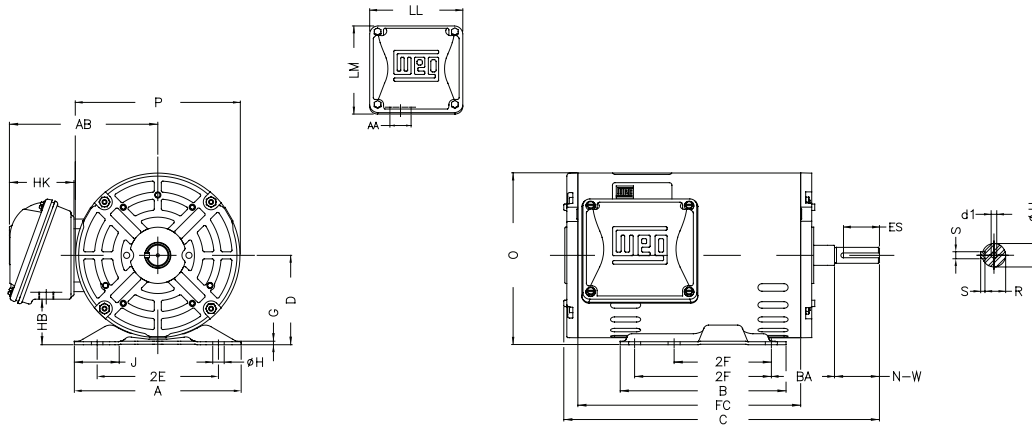


Rolled Steel - General Purpose - Three Phase - ODP

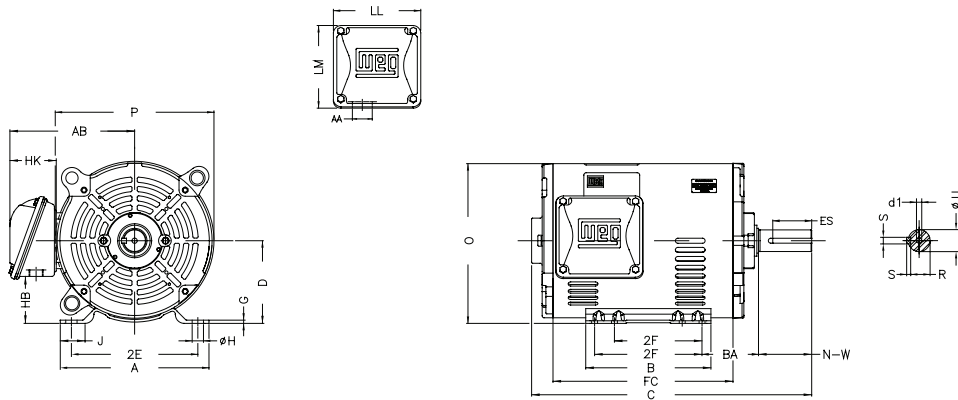
Frame	A	AA	AB	P	2E	J	HB	HK	H1	G	D	HD1
143/5T	6.535	1.118"	5.882	6.467	5.500	1.732	1.783	2.638	-	0.120	3.500	8.622
182/4T	8.661	1.118"	6.696	8.114	7.500	1.299	2.784	2.629	-	0.167	4.500	11.441
213/5T	9.449	1.377"	7.973	9.846	8.500	1.575	2.982	3.022	-	0.167	5.250	13.764

Frame	HD2	LL	LM	O	2F	H	B	BA	N-W	ES	U	d1	R	S
143/5T	8.150	4.543	4.106	6.724	4.000/5.000	0.343	6.496	2.250	2.250	1.417	0.875	A 3.15	0.771	0.187
182/4T	-	4.563	4.090	8.557	4.500/5.500	0.406	6.299	2.750	2.750	1.969	1.125	A 3.15	0.984	0.250
213/5T	-	5.551	5.250	10.144	5.500/7.000	0.406	7.953	3.500	3.380	2.480	1.375	A 4	1.203	0.313

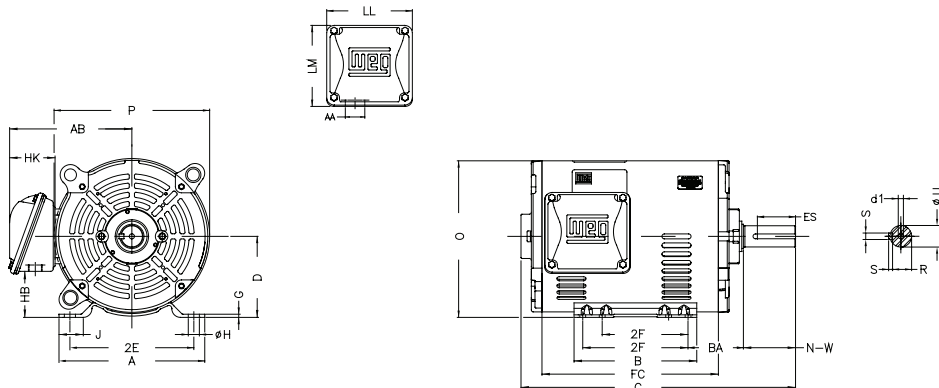
Frames 143



Frames 182



Frame 213 to 256



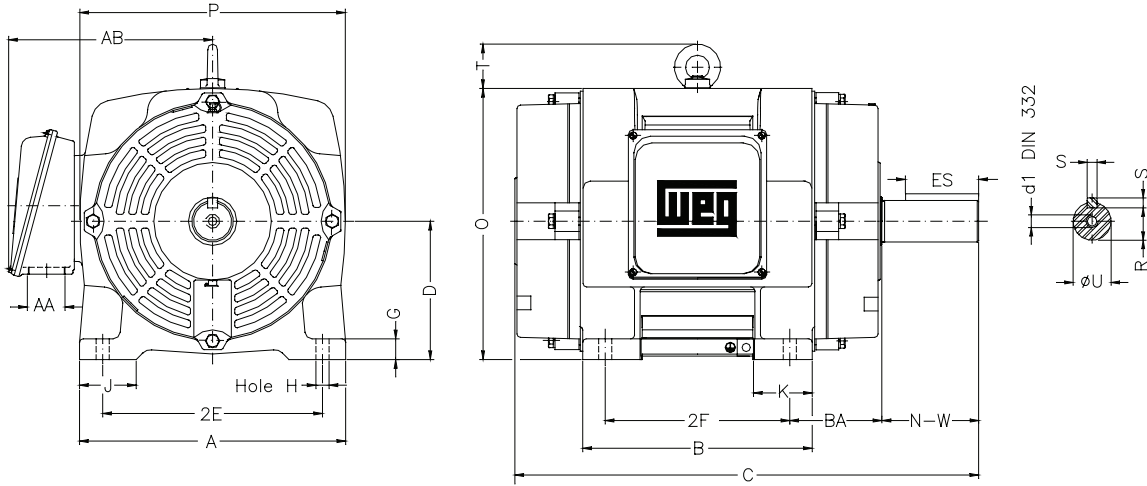
ODP – Cast Iron - Three Phase - General Purpose

Frame	2E	J	A	P	AB	2F	K	B	BA	U	d1	N-W
254T	10.000	2.520	12.130	11.812	10.079	8.250	2.560	10.100	4.250	1.625	A4	4.000
256T	10.000	2.520	12.130	11.812	10.079	10.000	2.560	11.732	4.250	1.625	A4	4.000
284TS	11.000	3.150	13.780	13.700	10.886	9.500	2.960	11.574	4.750	1.625	A4	3.250
284T	11.000	3.150	13.780	13.700	10.886	9.500	2.960	11.574	4.750	1.625	A4	4.622
286TS	11.000	3.150	13.780	13.700	10.886	11.000	2.960	13.070	4.750	1.625	A4	3.250
286T	11.000	3.150	13.780	13.700	10.886	11.000	2.960	13.070	4.750	1.875	A4	4.622
324TS	12.500	3.230	15.160	15.118	11.496	10.500	3.350	13.070	5.250	1.875	A4	3.750
324T	12.500	3.230	15.160	15.118	11.496	10.500	3.350	13.070	5.250	2.125	A4	5.250
326TS	12.500	3.230	15.160	15.118	11.496	12.000	3.350	14.566	5.250	1.875	A4	3.750
326T	12.500	3.230	15.160	15.118	11.496	12.000	3.350	14.566	5.250	2.125	A4	5.250
364TS	14.000	3.150	17.170	17.874	16.378	11.250/12.250	4.140	15.400	5.875	1.875	DUNC 3/4"-10	3.748
364T	14.000	3.150	17.170	17.874	16.378	11.250/12.250	4.140	15.400	5.875	2.375	DUNC 3/4"-10	5.874
365TS	14.000	3.150	17.170	17.874	16.378	11.250/12.250	4.140	15.400	5.875	1.875	DUNC 3/4"-10	3.748
365T	14.000	3.150	17.170	17.874	16.378	11.250/12.250	4.140	15.400	5.875	2.375	DUNC 3/4"-10	5.874
364/5TS	14.000	3.150	17.170	17.874	16.378	11.250/12.250	4.140	15.400	5.875	1.875	DUNC 3/4"-10	3.748
364/5T	14.000	3.150	17.170	17.874	16.378	11.250/12.250	4.140	15.400	5.875	2.375	DUNC 3/4"-10	5.874
404TS	16.000	3.950	19.950	17.874	16.378	11.250/12.250	5.440	17.700	6.625	2.125	DUNC 3/4"-10	4.250
404T	16.000	3.950	19.950	17.874	16.378	12.250/13.750	5.440	17.700	6.625	2.875	DUNC 3/4"-10	7.250
404/5TS	16.000	3.950	19.950	17.874	16.378	12.250/13.750	5.440	17.700	6.625	2.125	DUNC 3/4"-10	4.250
404/5T	16.000	3.950	19.950	17.874	16.378	12.250/13.750	5.440	17.700	6.625	2.875	DUNC 3/4"-10	7.250
405TS	16.000	3.950	19.950	17.874	16.378	12.250/13.750	5.440	17.700	6.625	2.125	DUNC 3/4"-10	4.250
405T	16.000	3.950	19.950	17.874	16.378	12.250/13.750	5.440	17.700	6.625	2.875	DUNC 3/4"-10	7.250
444TS	18.000	3.937	21.929	22.125	20.236	12.250/13.750	5.590	20.078	7.500	2.375	DUNC 3/4"-10	4.750
444T	18.000	3.937	21.929	22.125	20.236	12.250/13.750	5.590	20.078	7.500	3.375	DUNC 3/4"-10	8.500
445TS	18.000	3.937	21.929	22.125	20.236	14.500/16.500	5.590	20.078	7.500	2.375	DUNC 3/4"-10	4.750
445T	18.000	3.937	21.929	22.125	20.236	14.500/16.500	5.590	20.078	7.500	3.375	DUNC 3/4"-10	8.500
444/5T	18.000	3.937	21.929	22.125	20.236	14.500/16.500	5.590	20.078	7.500	3.375	DUNC 3/4"-10	8.500

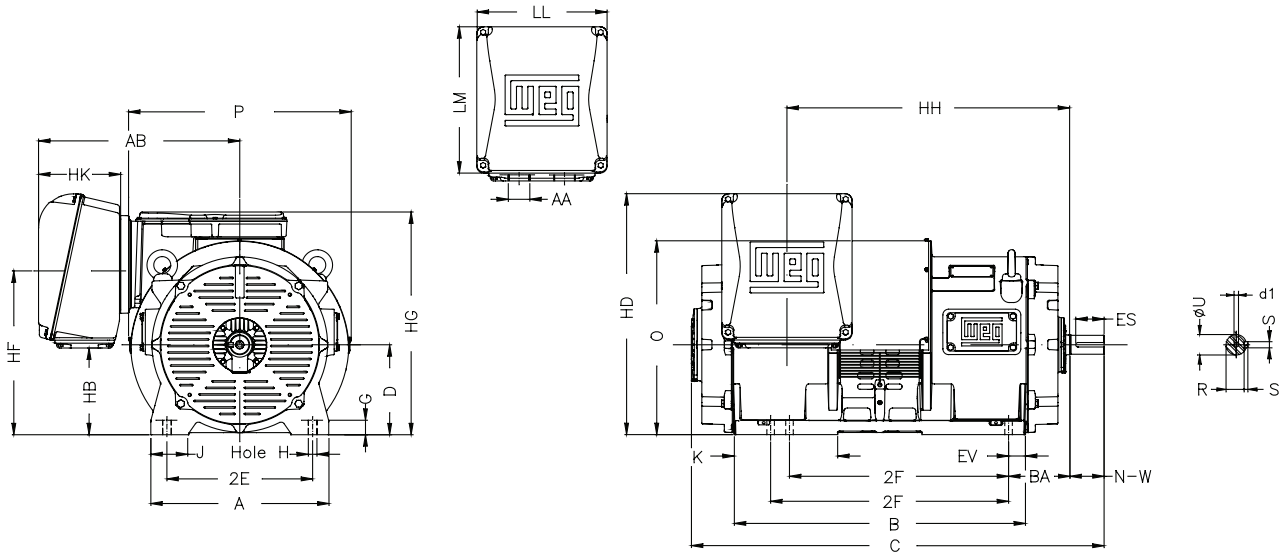
Frame	ES	S	R	D	G	O	H	C	T	LL	LM	AA	Bearing	
													DE	N-DE
254T	2.756	0.375	1.416	6.250	0.787	12.204	0.531	20.669	2.165	6.300	6.693	NPT 1 1/2"	6309 Z-C3	6209 Z-C3
256T	2.756	0.375	1.416	6.250	0.787	12.204	0.531	22.401	2.165	6.300	6.693	NPT 1 1/2"	6309 Z-C3	6209 Z-C3
284TS	2.480	0.375	1.416	7.000	1.102	13.858	0.531	22.000	2.165	6.300	6.693	NPT 1 1/2"	6311 Z-C3	6211 Z-C3
284T	3.149	0.500	1.594	7.000	1.102	13.858	0.531	23.386	2.165	6.300	6.693	NPT 1 1/2"	6311 Z-C3	6211 Z-C3
286TS	2.480	0.375	1.416	7.000	1.102	13.858	0.531	23.504	2.165	6.300	6.693	NPT 1 1/2"	6311 Z-C3	6211 Z-C3
286T	3.149	0.500	1.594	7.000	1.102	13.858	0.531	24.882	2.165	6.300	6.693	NPT 1 1/2"	6311 Z-C3	6211 Z-C3
324TS	2.756	0.500	1.594	8.000	1.299	15.551	0.656	24.685	2.559	7.874	8.268	NPT 2"	6312 Z-C3	6212 Z-C3
324T	3.937	0.500	1.844	8.000	1.299	15.551	0.656	26.181	2.559	7.874	8.268	NPT 2"	6312 Z-C3	6212 Z-C3
326TS	2.756	0.500	1.594	8.000	1.299	15.551	0.656	26.181	2.559	7.874	8.268	NPT 2"	6312 Z-C3	6212 Z-C3
326T	3.937	0.500	1.844	8.000	1.299	15.551	0.656	27.667	2.559	7.874	8.268	NPT 2"	6312 Z-C3	6212 Z-C3
364TS	1.968	0.500	1.591	9.000	1.480	18.425	0.657	27.638	2.795	9.646	10.00	NPT 3"	6314 C3	6314 C3
364T	4.330	0.625	2.019	9.000	1.480	18.425	0.657	29.764	2.795	9.646	10.00	NPT 3"	6314 C3	6314 C3
365TS	1.968	0.500	1.591	9.000	1.480	18.425	0.657	27.638	2.795	9.646	10.00	NPT 3"	6314 C3	6314 C3
365T	4.330	0.625	2.019	9.000	1.480	18.425	0.657	29.764	2.795	9.646	10.00	NPT 3"	6314 C3	6314 C3
364/5TS	1.968	0.500	1.591	9.000	1.480	18.425	0.657	27.638	2.795	9.646	10.00	NPT 3"	6314 C3	6314 C3
364/5T	4.330	0.625	2.019	9.000	1.480	18.425	0.657	29.764	2.795	9.646	10.00	NPT 3"	6314 C3	6314 C3
404TS	2.756	0.500	1.842	10.000	1.968	19.409	0.807	31.141	2.8	9.646	10.00	NPT 3"	6314 C3	6314 C3
404T	5.512	0.750	2.449	10.000	1.968	19.409	0.807	34.133	2.8	9.646	10.00	NPT 3"	6316 C3	6314 C3
404/5TS	2.756	0.500	1.842	10.000	1.968	19.409	0.807	31.141	2.8	9.646	10.00	NPT 3"	6314 C3	6314 C3
404/5T	5.512	0.750	2.449	10.000	1.968	19.409	0.807	34.133	2.8	9.646	10.00	NPT 3"	6316 C3	6314 C3
405TS	2.756	0.500	1.842	10.000	1.968	19.409	0.807	31.141	2.8	9.646	10.00	NPT 3"	6314 C3	6314 C3
405T	5.512	0.750	2.449	10.000	1.968	19.409	0.807	34.133	2.8	9.646	10.00	NPT 3"	6316 C3	6314 C3
444TS	3.000	0.625	2.021	11.000	1.811	22.440	0.807	36.062	3.544	14.291	14.921	2XNPT 3"	6314 C3	6314 C3
444T	7.087	0.875	2.880	11.000	1.811	22.440	0.807	39.803	3.544	14.291	14.921	2XNPT 3"	6319 C3	6316 C3
445TS	3.000	0.625	2.021	11.000	1.811	22.440	0.807	36.062	3.544	14.291	14.921	2XNPT 3"	6314 C3	6314 C3
445T	7.087	0.875	2.880	11.000	1.811	22.440	0.807	39.803	3.544	14.291	14.921	2XNPT 3"	6319 C3	6316 C3
444/5T	7.087	0.875	2.880	11.000	1.811	22.440	0.807	39.803	3.544	14.291	14.921	2XNPT 3"	6319 C3	6316 C3

ODP – Cast Iron - Three Phase - General Purpose- continued

Frame 254T to 447/9TS



Frame 5010/11T and 5010/11TS



Explosion Proof - Three Phase

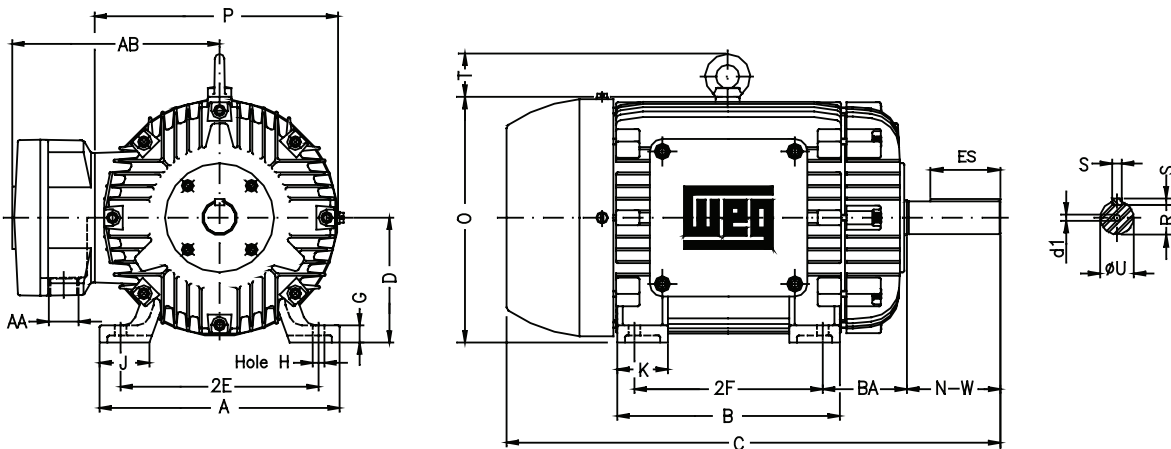
Frame	2E	2F	A	AA	AB	B	BA	C	D	G	Hole H	J		
143T	5.500	4.000	6.457	NPT 3/4"	6.811	5.157	2.250	12.760	3.500	0.429	0.344	1.496		
145T		5.000				6.142		13.752						
182T	7.500	4.500	8.661		NPT 1"	8.240	5.945	2.750	14.862	4.500	0.787	0.406	1.890	
184T		5.500					6.969		15.862					
213T	8.500	7.000	9.764	NPT 1"	9.252	7.402	3.500	17.952	5.250	0.827	2.008			
215T		5.500				8.898		19.450						
254T	10.000	8.252	12.126	NPT 1 1/2"	11.063	10.000	4.250	23.175	6.250	0.817	0.531	2.520		
256T		10.000				11.732		24.923						
284T	11.000	9.500	13.780		11.850	11.575	4.750	26.407	7.000	1.024		0.657	3.150	
284TS		25.033												
286T		11.000		27.905										
286TS		26.531												
324T	12.500	10.500	15.157	NPT 2"	12.961	13.071	5.250	29.602	8.000	1.307	0.657	3.228		
324TS		28.102												
326T		12.000			14.567	31.106								
326TS		29.606												
364/5T	14.000	11.250/12.250	17.165	NPT 3"	16.654	15.394	5.875	33.701	9.000	1.480	3.150			
364/5TS								31.575						
404/5T	16.000	12.250/13.752	19.921		16.654	17.520	6.625	38.074	10.000	1.812	0.807	3.937		
404/5TS													35.074	
444/5T	18.000	14.500/16.500	21.929	2xNPT 3"	21.732	20.079	7.500	43.797	11.000	1.630	0.807	3.937		
444/5TS								40.047						
447T		20.000			20.000	20.984		23.640					23.640	47.339
447TS														43.589
449T		25.000			25.000	32.126		20.984					32.126	54.996
449TS														51.246
504/5T	20.000	16.000/18.000	24.724	21.850	21.969	8.500	49.445	12.500	2.146	1.250	4.724			
504/5TS							46.875							
586/7T	23.000	22.000/25.000	29.528	25.787	29.921	10.000	61.389	14.500	2.492	1.181	5.236			
586/7TS							54.514							

TEFC – Explosion Proof *continued*

Frames 143T to 586/7TS

Frame	K	O	P	T	Shaft end						Bearings																																				
					d1	ES	N-W	R	S	U	D.E.	N.D.E.																																			
143T	1.654	7.000	7.000	*	A 4	1.575	2.250	0.765	0.187	0.875	6205 ZZ	6204 ZZ																																			
145T																																															
182T	1.969	9.421	8.909	1.772									A 4	1.969	2.750	0.984	0.250	1.125	6307 ZZ	6206 ZZ																											
184T																																															
213T	2.165	11.156	10.709	1.772																	A 4	2.480	3.375	1.203	0.313	1.375	6308 ZZ	6207 ZZ																			
215T																																															
254T	2.559	12.352	12.224	2.087																									A 4	2.756	4.000	1.406	0.375	1.625	6309 ZZ-C3	6209 ZZ-C3											
256T																																															
284T	2.953	14.362	14.094	2.441																																	A 4	3.149	4.622	1.594	0.500	1.875	6311 ZZ-C3	6211 ZZ-C3			
284TS																																															
286T																																															
286TS																																															
324T	3.346	15.992	15.697	2.795																																		A 4	3.937	5.250	1.844	0.500	2.125	6312 ZZ-C3	6212 ZZ-C3		
324TS																																															
326T																																															
326TS																																															
364/5T	4.134	18.898	18.583	2.795																																			DUNC 3/4"-10	4.330	5.874	2.019	0.625	2.375	6314 C3	6314 C3	
364/5TS																																															
404/5T	5.433	19.843	18.583	2.795																																				DUNC 3/4"-10	5.512	7.250	2.449	0.750	2.875	6217 C3	6314 C3
404/5TS																																															
444/5T	5.591	23.622	24.016	3.543	DUNC 3/4"-10	7.087	8.500	2.880	0.875	3.375	6219 C3	6316 C3																																			
444/5TS																																															
447T																																															
447TS																																															
449T	7.104	23.622	24.016	3.543		DUNC 3/4"-10	3.000	4.750	2.021	0.625	2.375	6314 C3	6314 C3																																		
449TS																																															
504/5T	5.984	25.197	24.212	3.543			DUNC 3/4"-10	7.087	8.500	2.880	0.875	3.375	6322 C3	6319 C3																																	
504/5TS																																															
586/7T	7.874	30.428	30.709	4.291				DUNC 7/8"-9	8.661	11.625	3.312	1000.000	3.875	6322 C3	6319 C3																																
586/7TS																																															

Frames 143T to 586/7TS

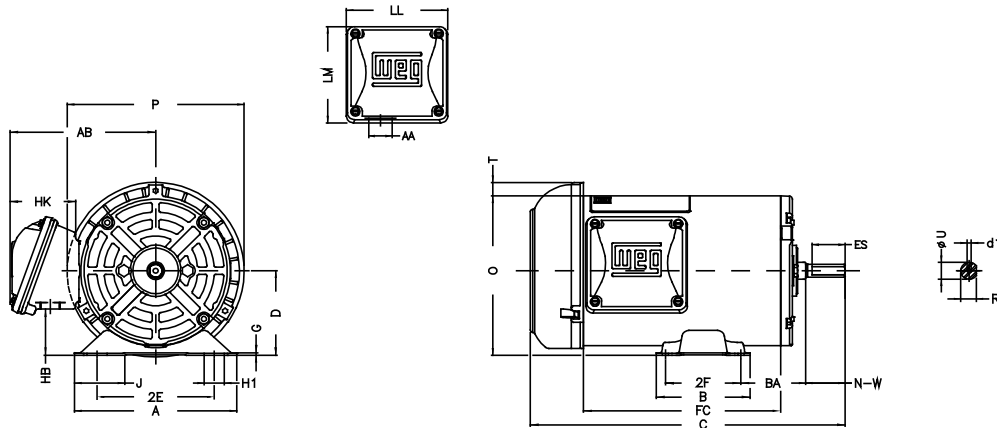


Fractional - Three Phase - TEFC - NEMA Premium®

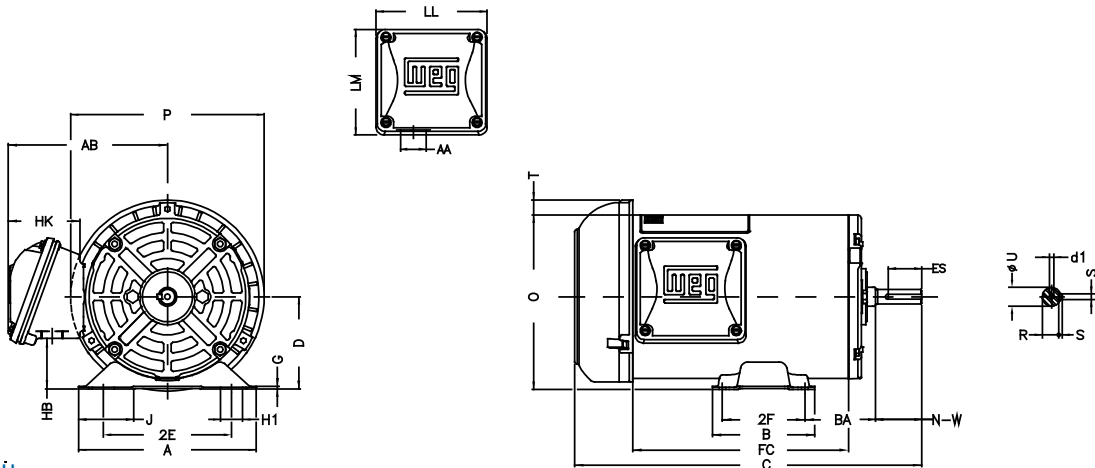
Frame	2E	J	A	P	AB	AH	2F	B	BA	CH	U	N-W	Key Length	R	D
48	4.236	1.835	6.142	6.693	5.52	1.689	2.748	3.543	2.5	1.417	0.5	1.5	1.26	0.451	3
W56	4.874	1.62	6.535	6.693	5.52	2.063	3	4.016	2.75	1.417	0.625	1.874	1.417	0.517	3.5
56	4.874	1.732	6.535	7.638	5.882	2.062	3	4.016	2.75	1.377	0.625	1.874	1.417	0.517	3.5
56H	4.874	1.732	6.535	7.638	5.882	2.062	3.000/5.000	6.496	2.75	1.377	0.625	1.874	1.417	0.517	3.5

Frame	H1	G	HB	O	HD	HK	Hole H	C	LL	LM	S	AA	T	DE	NDE
48	1.22	0.075	1.559	5.83	6.354	2.65	0.343		3.835	3.697		0.881"	0.524	6203 ZZ	6202 ZZ
W56	1.22	0.12	2.055	6.33	6.854	2.65	0.343		3.835	3.697	0.187	0.881"	0.524	6203 ZZ	6202 ZZ
56	1.22	0.12	1.783	6.724	7.327	2.638	0.343		4.543	4.106	0.187	0.881"	0.603	6203 ZZ	6202 ZZ
56H	1.22	0.12	1.783	6.724	7.327	2.638	0.343		4.543	4.106	0.187	0.881"	0.603	6204 ZZ	6202 ZZ

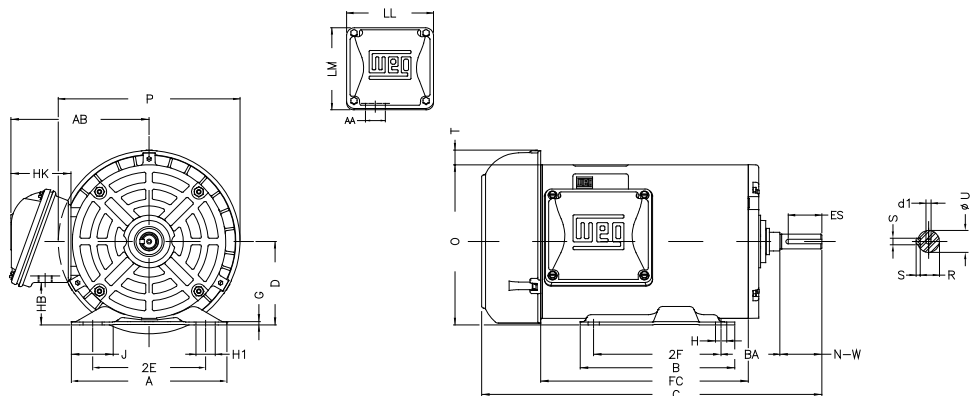
Frame 48



Frame W56



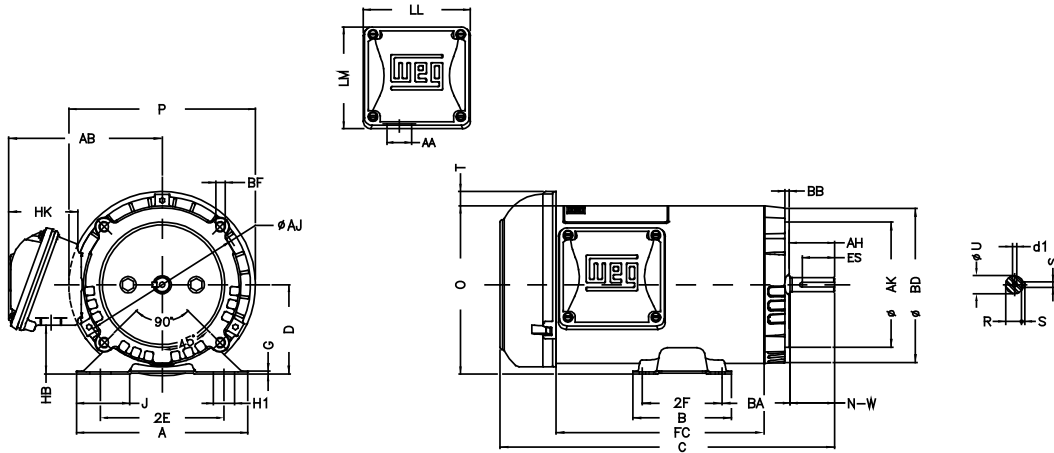
Frame 56 - 56H



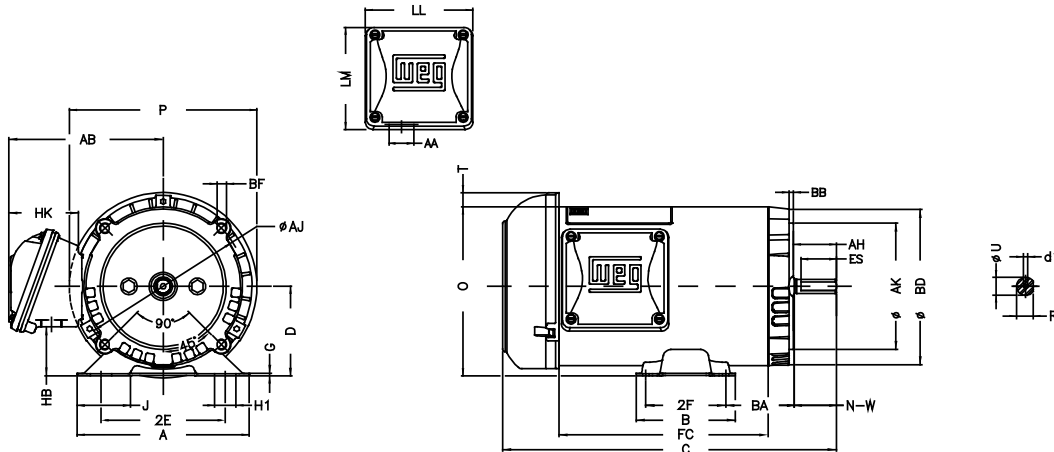
Fractional - Three Phase - TEFC - NEMA Premium® - C-Face

Frame	Type	Flange	Size	AJ	AK	BD	S	T	AH	Angle	BF Number
W56	C	C	FC-149	5.874	4.5	6.47	UNC 3/8"x16-2B	0.157	2.063	45°	4
48	C	C	FC-95	3.748	3	4.74	UNC 1/4"x20-2B	0.157	1.689	45°	4
56	C	C	FC-149	5.874	4.5	6.45	UNC 3/8"x16-2B	0.157	2.062	45°	4
56H	C	C	FC-149	5.874	4.5	6.45	UNC 3/8"x16-2B	0.157	2.062	45°	4

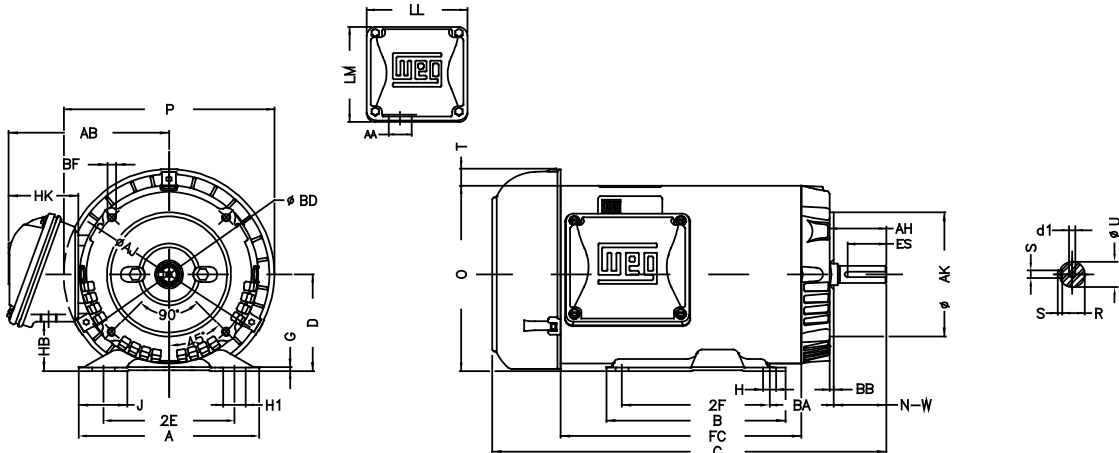
Frame W56



Frame 48



Frame 56/56H

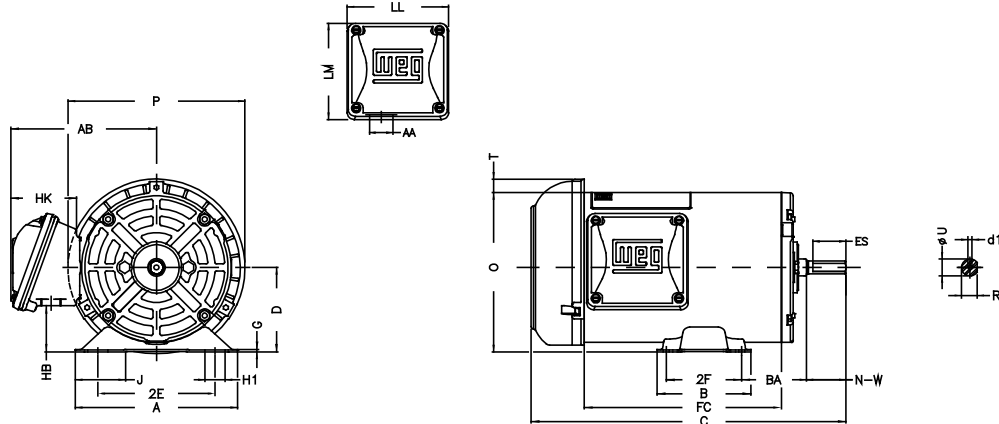


Fractional - Three Phase - TEFC - Standard Efficiency

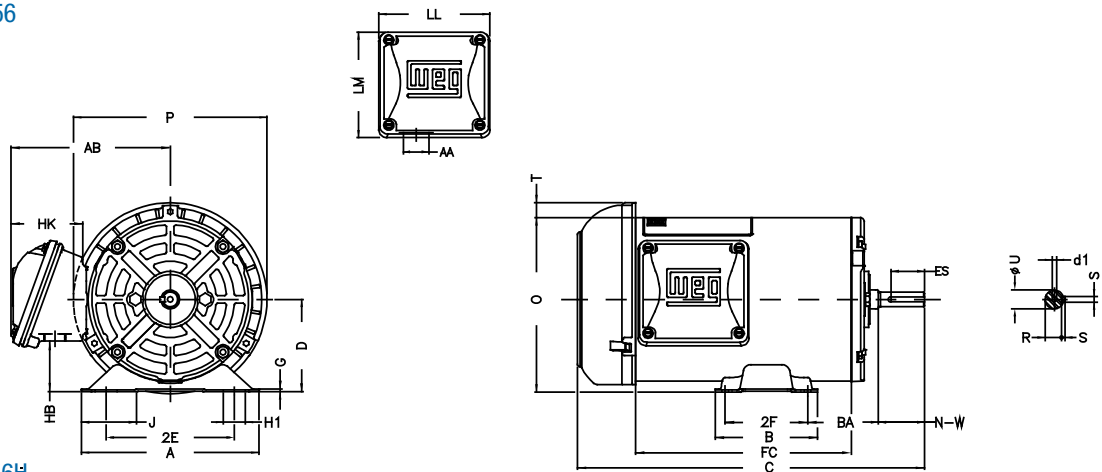
Frame	2E	J	A	P	AB	AH	2F	B	BA	CH	U	d1	N-W	Key Length	R	D
48	4.236	1.835	6.142	6.693	5.52	1.689	2.748	3.543	2.5	1.417	0.5	A 3,15	1.5	1.26	0.451	3
W56	4.874	1.62	6.535	6.693	5.52	2.063	3	4.016	2.75	1.417	0.625	A 3,15	1.874	1.417	0.517	3.5
56	4.874	1.732	6.535	7.638	5.882	2.062	3	4.016	2.75	1.377	0.625	A 3,15	1.874	1.417	0.517	3.5
56H	4.874	1.732	6.535	7.638	5.882	2.062	3.000/5.000	6.496	2.75	1.377	0.625	A 3,15	1.874	1.417	0.517	3.5

Frame	H1	G	HB	O	HD	HK	Hole H	C	LL	LM	AJ	S	AA	T	DE	NDE
48	1.22	0.075	1.559	5.83	6.354	2.65	0.343	-	3.835	3.697	5.874		0.881"	0.524	6203 ZZ	6202 ZZ
W56	1.22	0.12	2.055	6.33	6.854	2.65	0.343	-	3.835	3.697	3.748	0.187	0.881"	0.524	6203 ZZ	6202 ZZ
56	1.22	0.12	1.783	6.724	7.327	2.638	0.343	-	4.543	4.106	5.874	0.187	0.881"	0.603	6203 ZZ	6202 ZZ
56H	1.22	0.12	1.783	6.724	7.327	2.638	0.343	-	4.543	4.106	5.874	0.187	0.881"	0.603	6204 ZZ	6202 ZZ

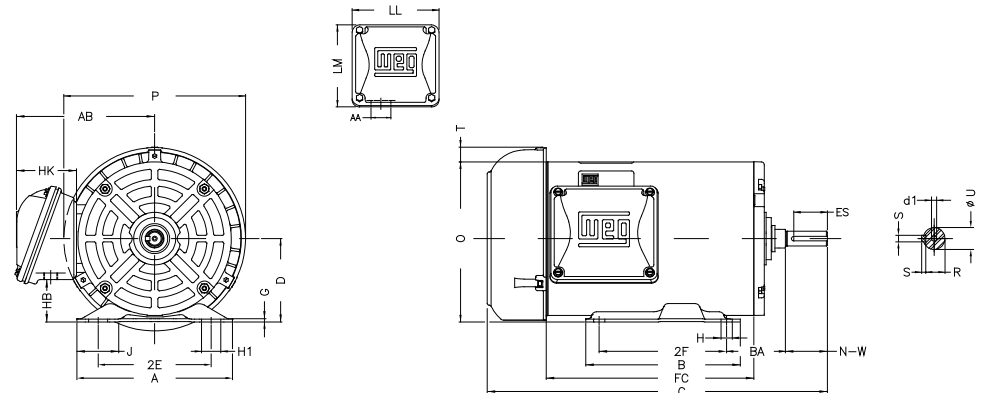
Frame 48



Frame W56



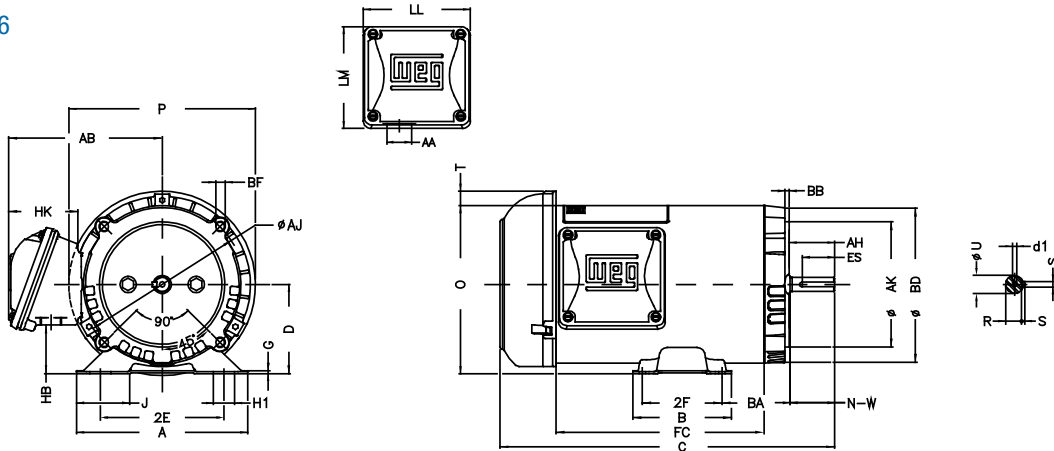
Frame 56 - 56H



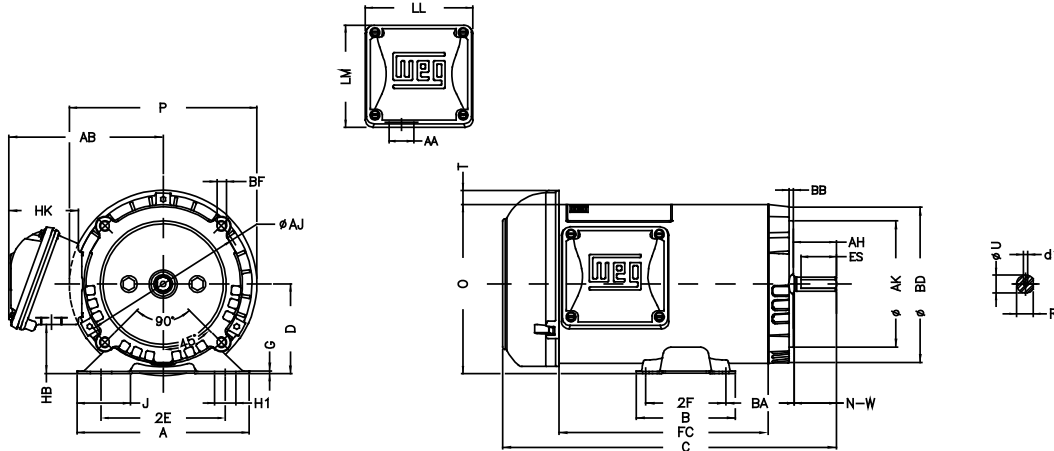
Fractional - Three Phase - TEFC - Standard Efficiency - C-Face

Frame	Type	Flange	Size	BB	AJ	AK	BD	S	T	AH	Angle	BF Number
W56	C	C	FC-149	0.157	5.874	4.5	6.47	UNC 3/8"x16-2B	0.157	2.063	45°	4
48	C	C	FC-95	0.157	3.748	3	4.74	UNC 1/4"x20-2B	0.157	1.689	45°	4
56	C	C	FC-149	0.157	5.874	4.5	6.45	UNC 3/8"x16-2B	0.157	2.062	45°	4
56H	C	C	FC-149	0.157	5.874	4.5	6.45	UNC 3/8"x16-2B	0.157	2.062	45°	4

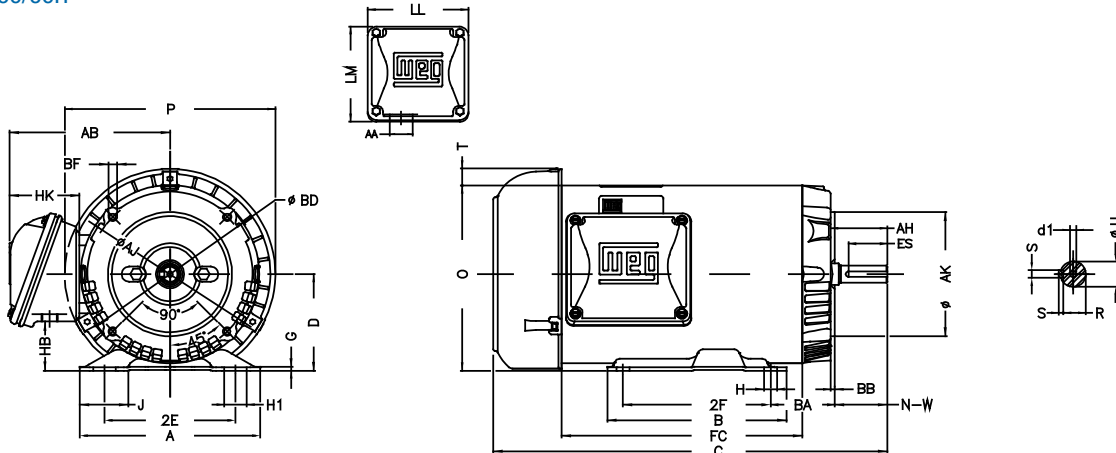
Frame W56



Frame 48



Frame 56/56H

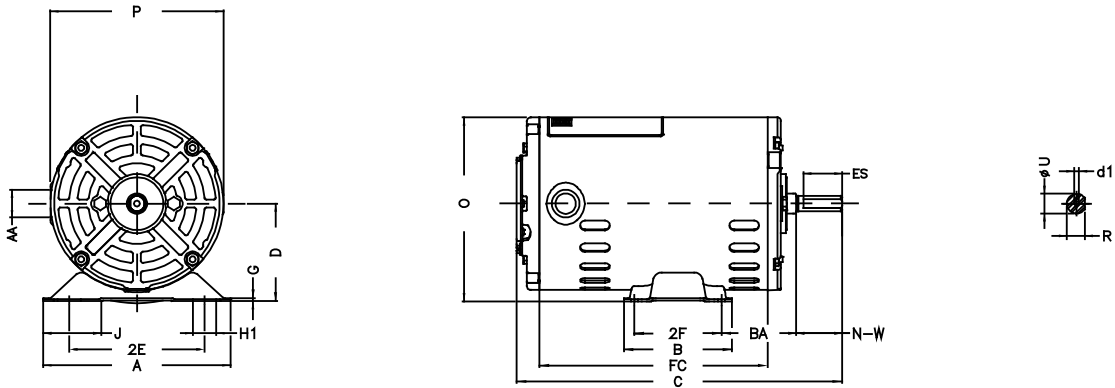


Fractional - Three Phase - ODP - Premium Efficiency

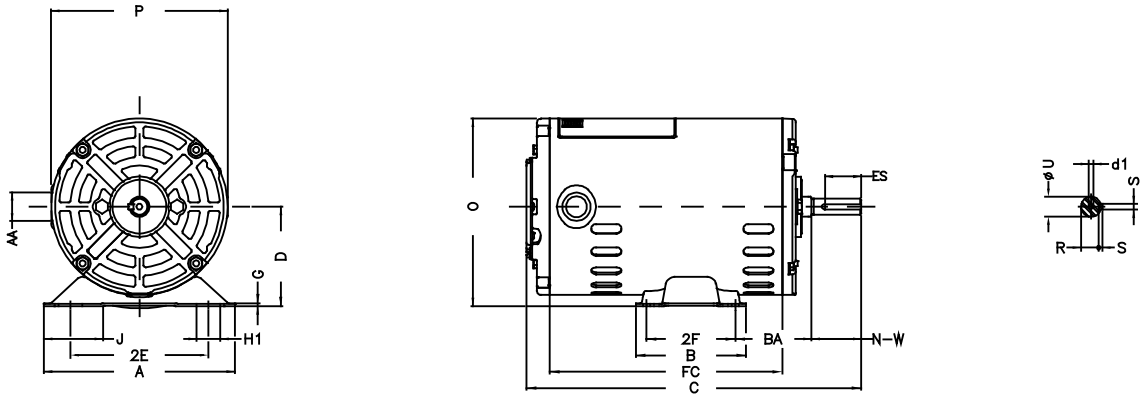
Frame	2E	J	A	P	AB	AH	2F	B	BA	CH	U	N-W	Key Length	R	D
48	4.236	1.835	6.142	5.709	5.52	1.689	2.748	3.543	2.5	1.22	0.5	1.5	1.26	0.451	3
W56	4.874	1.62	6.535	5.709	5.52	2.063	3	4.016	2.75	1.22	0.625	1.874	1.417	0.517	3.5
56	4.874	1.732	6.535	6.456	3.323	2.062	3	4.016	2.75	1.377	0.625	1.874	1.417	0.517	3.5
56H	4.874	1.732	6.535	6.456	5.882	2.062	3.000/5.000	6.496	2.75	1.377	0.625	1.874	1.417	0.517	3.5

Frame	H1	G	HB	O	HD	HK	Hole H	C	LL	LM	S	AA	T	DE	NDE
48	1.22	0.075	1.559	5.83	6.354	2.65	0.343		3.835	3.697		NPT 1/2"	0.524	6203 ZZ	6202 ZZ
W56	1.22	0.12	2.055	6.33	6.854	2.65	0.343		3.835	3.697	0.187	NPT 1/2"	0.524	6203 ZZ	6202 ZZ
56	1.22	0.12	1.784	6.724	6.728	2.629	0.343		4.563	4.09	0.187	NPT 1/2"	0.004	6203 ZZ	6202 ZZ
56H	1.22	0.12	1.783	6.724	6.728	2.638	0.343		4.543	4.106	0.187	NPT 1/2"	0.004	6204 ZZ	6202 ZZ

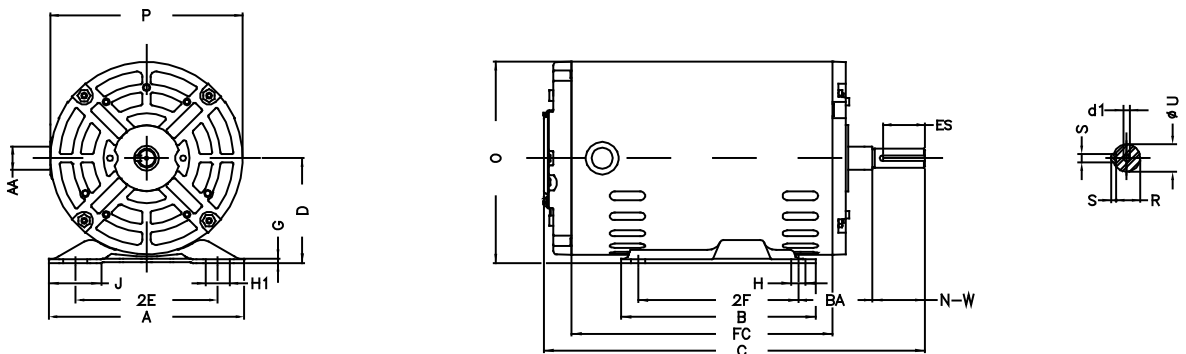
Frame 48



Frame W56



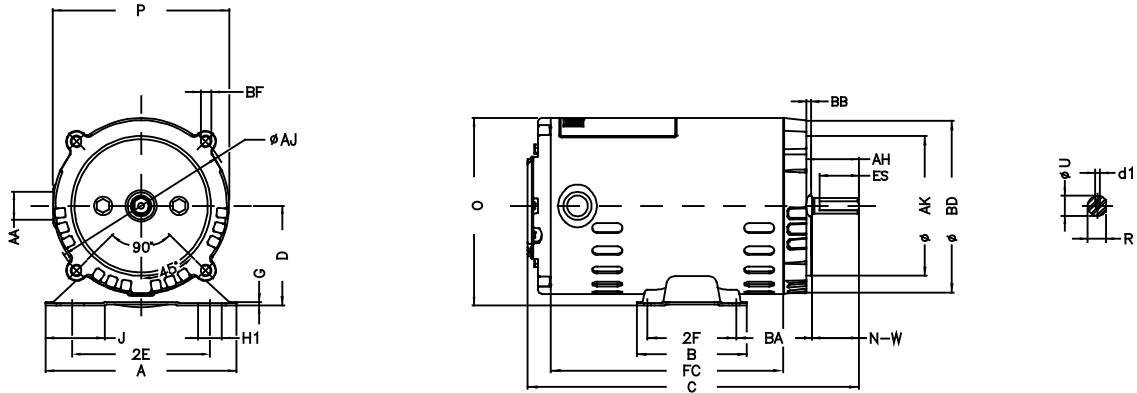
Frame 56 - 56H



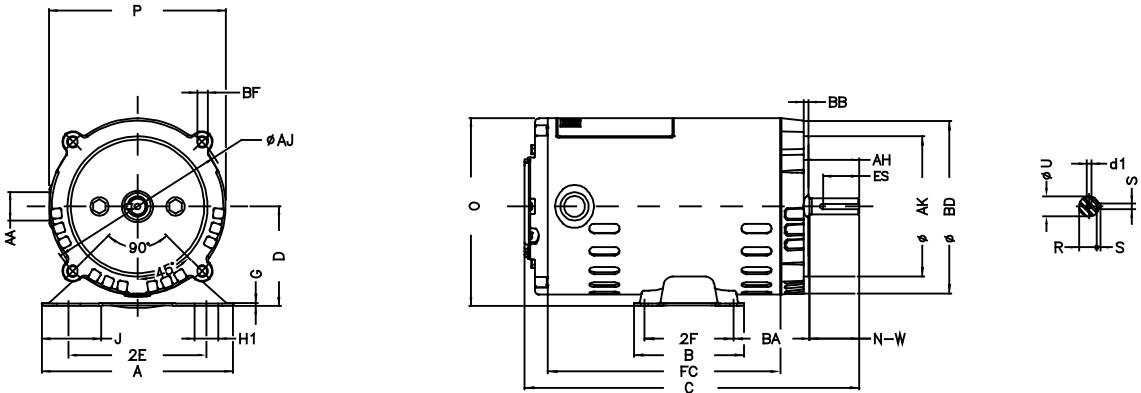
Fractional - Three Phase - ODP - Premium Efficiency - C-Face

Frame	Type	Flange	Size	AJ	AK	BD	S	T	AH	Angle	BF Number
W56	C	C	FC-149	5.874	4.5	6.47	UNC 3/8"x16-2B	0.157	2.063	45°	4
48	C	C	FC-95	3.748	3	4.74	UNC 1/4"x20-2B	0.157	1.689	45°	4
56	C	C	FC-149	5.874	4.5	6.45	UNC 3/8"x16-2B	0.157	2.062	45°	4
56H	C	C	FC-149	5.874	4.5	6.45	UNC 3/8"x16-2B	0.157	2.062	45°	4

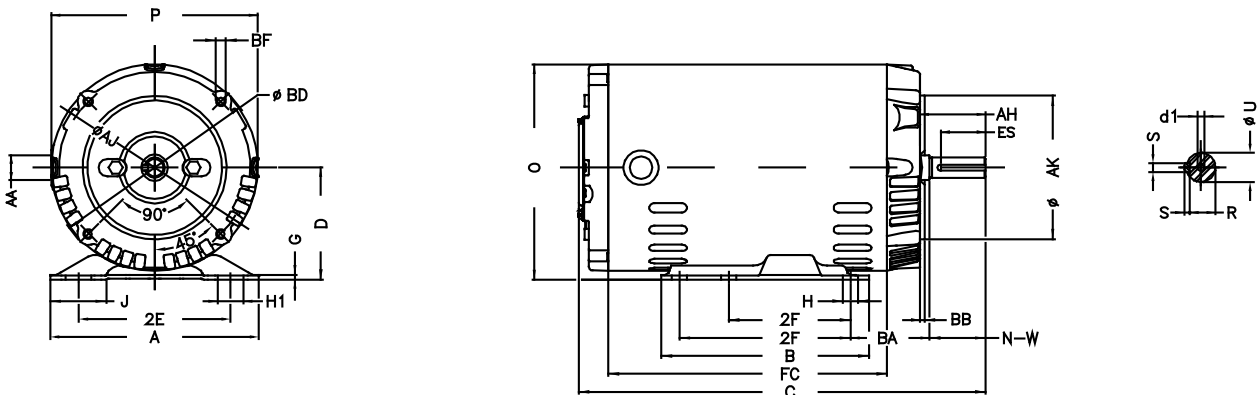
Frame 48



Frame W56



Frame 56 - 56H

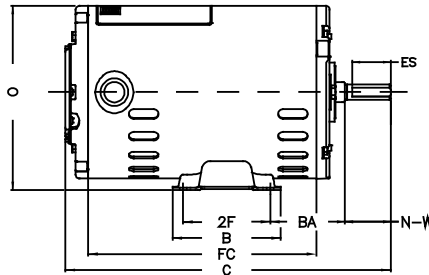
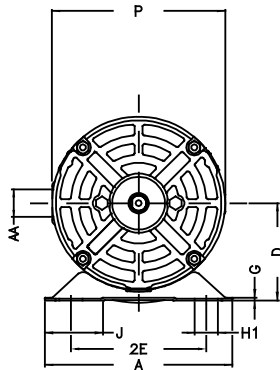


Fractional - Three Phase - ODP - Standard Efficiency

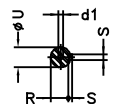
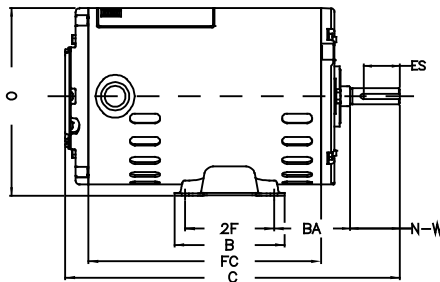
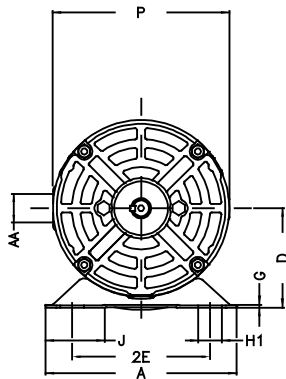
Frame	2E	J	A	P	AB	AH	2F	B	BA	CH	U	N-W	Key Length	R	D
48	4.236	1.835	6.142	5.709	5.52	1.689	2.748	3.543	2.5	1.22	0.5	1.5	1.26	0.451	3
W56	4.874	1.62	6.535	5.709	5.52	2.063	3	4.016	2.75	1.22	0.625	1.874	1.417	0.517	3.5
56	4.874	1.732	6.535	6.456	3.323	2.062	3	4.016	2.75	1.377	0.625	1.874	1.417	0.517	3.5
56H	4.874	1.732	6.535	6.456	5.882	2.062	3.000/5.000	6.496	2.75	1.377	0.625	1.874	1.417	0.517	3.5

Frame	H1	G	HB	O	HD	HK	Hole H	C	LL	LM	S	AA	T	DE	NDE
48	1.22	0.075	1.559	5.83	6.354	2.65	0.343		3.835	3.697		NPT 1/2"	0.524	6203 ZZ	6202 ZZ
W56	1.22	0.12	2.055	6.33	6.854	2.65	0.343		3.835	3.697	0.187	NPT 1/2"	0.524	6203 ZZ	6202 ZZ
56	1.22	0.12	1.784	6.724	6.728	2.629	0.343		4.563	4.09	0.187	NPT 1/2"	0.004	6203 ZZ	6202 ZZ
56H	1.22	0.12	1.783	6.724	6.728	2.638	0.343		4.543	4.106	0.187	NPT 1/2"	0.004	6204 ZZ	6202 ZZ

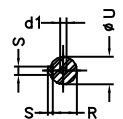
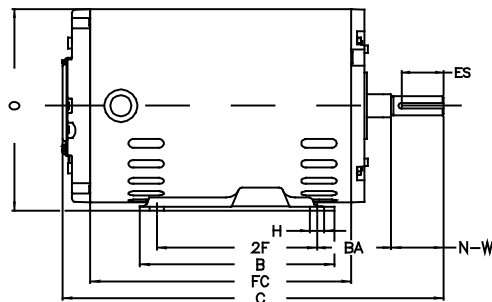
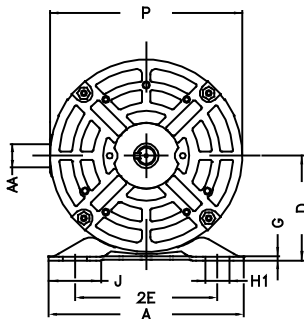
Frame 48



Frame W56



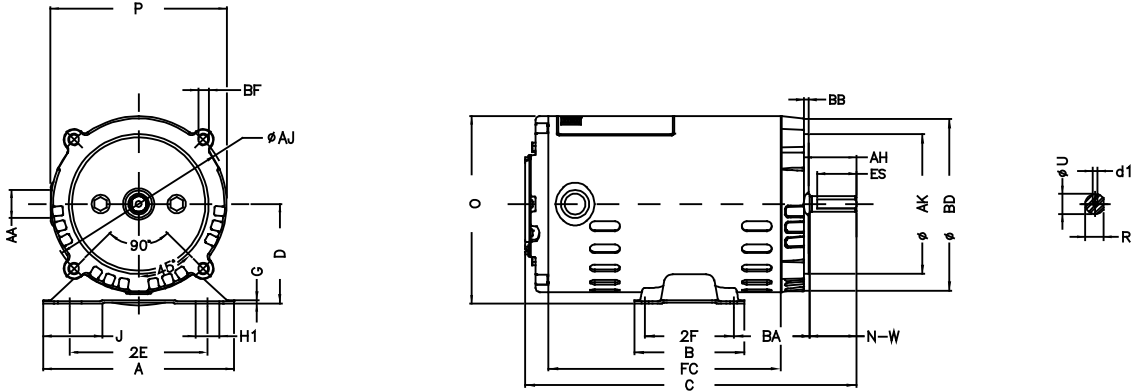
Frame 56 - 56H



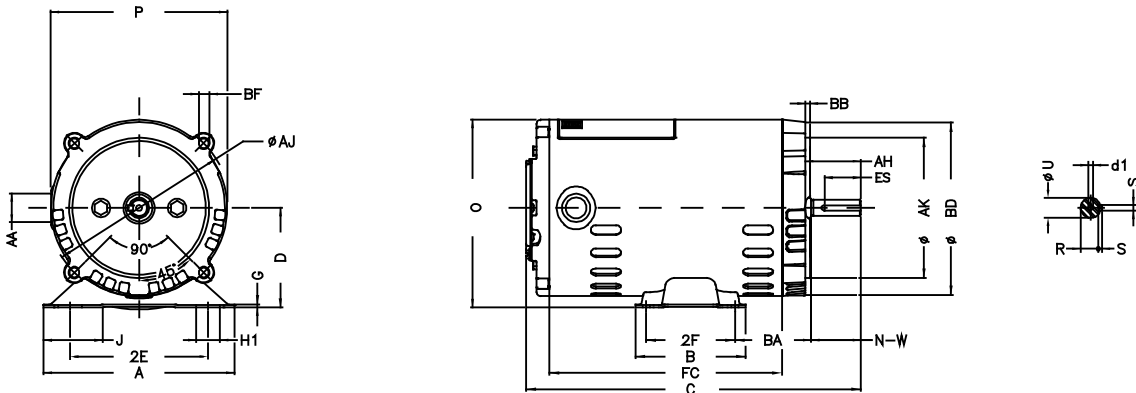
Fractional - Three Phase - ODP - Standard Efficiency - C-Face

Frame	Type	Flange	Size	AJ	AK	BD	BB	S	T	AH	Angle	BF Number
W56	C	C	FC-149	5.874	4.5	6.47	0.157	UNC 3/8"x16-2B	0.157	2.063	45°	4
48	C	C	FC-95	3.748	3	4.74	0.157	UNC 1/4"x20-2B	0.157	1.689	45°	4
56	C	C	FC-149	5.874	4.5	6.45	0.157	UNC 3/8"x16-2B	0.157	2.062	45°	4
56H	C	C	FC-149	5.874	4.5	6.45	0.157	UNC 3/8"x16-2B	0.157	2.062	45°	4

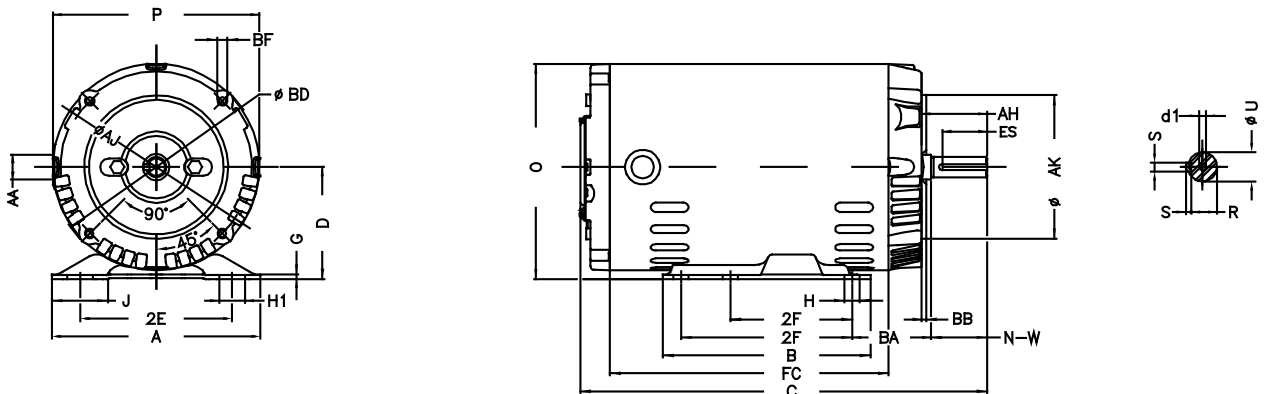
Frame 48



Frame W56



Frame 56 - 56H



Cooling Tower Motors - Three Phase - TEFC

Frame	2E	J	A	P	AB	AH	2F	B	BA	CH	U	N-W	Key Length	R	D
143T	5.5	1.437	6.457	6.85	6.26	2.125	4	5.157	2.25	0.708	0.875	2.25	1.575	0.771	3.5
143/5T	5.5	1.437	6.457	6.85	6.26	2.125	4.000/5.000	6.142	2.25	0.708	0.875	2.25	1.575	0.771	3.5
145T	5.5	1.437	6.457	6.85	6.26	2.125	5	6.142	2.25	0.708	0.875	2.25	1.575	0.771	3.5
182T	7.5	1.614	8.661	8.504	7.565	2.625	4.5	5.945	2.75	1.22	1.125	2.75	1.969	0.984	4.5
182/4T	7.5	1.614	8.661	8.504	7.565	2.625	4.500/5.500	6.969	2.75	1.22	1.125	2.75	1.969	0.984	4.5
213T	8.5	1.779	9.764	10.669	8.667	3.125	5.5	7.362	3.5	1.22	1.375	3.375	2.48	1.203	5.25
213/5T	8.5	1.779	9.764	10.669	8.667	3.125	5.500/7.000	8.858	3.5	1.22	1.375	3.375	2.48	1.203	5.25
215T	8.5	1.779	9.764	10.669	8.667	3.125	7	8.858	3.5	1.22	1.375	3.375	2.48	1.203	5.25
254T	10	2.539	12.126	12.48	10.483	3.75	8.252	10	4.25	1.85	1.625	4	2.756	1.416	6.25
254/6T	10	2.539	12.126	12.48	10.483	3.75	8.252/10.000	11.732	4.25	1.85	1.625	4	2.756	1.416	6.25
256T	10	2.539	12.126	12.48	10.483	3.75	10	11.732	4.25	1.85	1.625	4	2.756	1.416	6.25
284TS	11	3.11	13.78	13.78	11.073	3	9.5	11.575	4.75	2.244	1.625	3.25	2.48	1.416	7
284T	11	3.11	13.78	13.78	11.073	4.375	9.5	11.575	4.75	2.244	1.875	4.622	3.149	1.594	7
284/6T	11	3.11	13.78	13.78	11.073	4.375	9.500/11.000	13.071	4.75	2.244	1.875	4.622	3.149	1.594	7
284/6TS	11	3.11	13.78	13.78	11.073	3	9.500/11.000	13.071	4.75	2.244	1.625	3.25	2.48	1.416	7
324T	12.5	3.189	15.157	14.961	12.575	5	10.5	13.071	5.25	2.638	2.125	5.25	3.937	1.844	8
324TS	12.5	3.189	15.157	14.961	12.575	3.5	10.5	13.071	5.25	2.638	1.875	3.75	2.756	1.594	8
324/6TS	12.5	3.189	15.157	14.961	12.575	3.5	12	14.567	5.25	2.638	1.875	3.75	2.756	1.594	8
324/6T	12.5	3.189	15.157	14.961	12.575	5	10.500/12.000	14.567	5.25	2.638	2.125	5.25	3.937	1.844	8
326T	12.5	3.189	15.157	14.961	12.575	5	12	14.567	5.25	2.638	2.125	5.25	3.937	1.844	8
326TS	12.5	3.189	15.157	14.961	12.575	3.5	12	14.567	5.25	2.638	1.875	3.75	2.756	1.594	8
364/5T	14.016	3.15	17.165	17.914	16.016	5.625	11.260/12.244	15.512	5.875	3.189	2.375	5.874	4.33	2.019	9
364/5TS	14.016	3.15	17.165	17.914	16.016	3.5	11.260/12.244	15.512	5.875	3.189	1.875	3.748	1.968	1.591	9
404/5T	15.984	3.937	19.921	19.134	16.016	7	12.244/13.740	18.386	6.625	3.189	2.875	7.25	5.512	2.449	10
404/5TS	15.984	3.937	19.921	19.134	16.016	4	12.244/13.740	18.386	6.625	3.189	2.125	4.25	2.756	1.842	10
444/5T	18	3.937	21.929	23.583	18.57	8.25	14.500/16.500	20.315	7.5	3.583	3.375	8.5	7.087	2.88	11
444/5TS	18	3.937	21.929	23.583	18.57	4.5	14.500/16.500	20.315	7.5	3.583	2.375	4.75	3	2.021	11
445/7T	18	3.937	21.929	23.583	20.559	8.25	16.500/20.000	23.897	7.5	3.583	3.375	8.5	7.087	2.88	11
445/7TS	18	3.937	21.929	23.583	20.559	4.5	16.500/20.000	23.897	7.5	3.583	2.375	4.75	3	2.021	11
447/9T	18	3.937	21.929	23.583	20.559	8.25	20.000/25.000	31.535	7.5	3.583	3.375	8.5	7.087	2.88	11
447/9TS	18	3.937	21.929	23.583	20.559	4.5	20.000/25.000	31.535	7.5	3.583	2.375	4.75	3	2.021	11
L447/9T	18	3.937	21.929	25.866	23.72	8.25	20.000/25.000	31.535	7.5	3.583	3.375	8.5	7.087	2.88	11
L447/9TS	18	3.937	21.929	25.866	23.72	4.5	20.000/25.000	31.535	7.5	3.583	2.375	4.75	3	2.021	11
504/5T	20	4.724	24.724	25.866	20.599	10.375	16.000/18.000	24.449	8.5	3.583	3.625	10.63	8.661	3.134	12.5
504/5TS	20	4.724	24.724	25.866	20.599	4.5	16.000/18.000	24.449	8.5	3.583	2.375	4.75	3	2.021	12.5
586/7T	23	5.512	29.528	28.977	23.189	11.375	22.000/25.000	29.921	10	3.583	3.875	11.625	8.661	3.312	14.5
586/7TS	23	5.512	29.528	28.977	23.189	4.5	22.000/25.000	29.921	10	3.583	2.375	4.75	3	2.021	14.5
588/9T	23	5.512	29.528	28.977	27.44	11.375	28.000/32.000	37.98	10	3.583	3.875	11.625	8.661	3.312	14.5
588/9TS	23	5.512	29.528	28.977	27.44	4.5	28.000/32.000	37.98	10	3.583	2.375	4.75	3	2.021	14.5

continued on next page

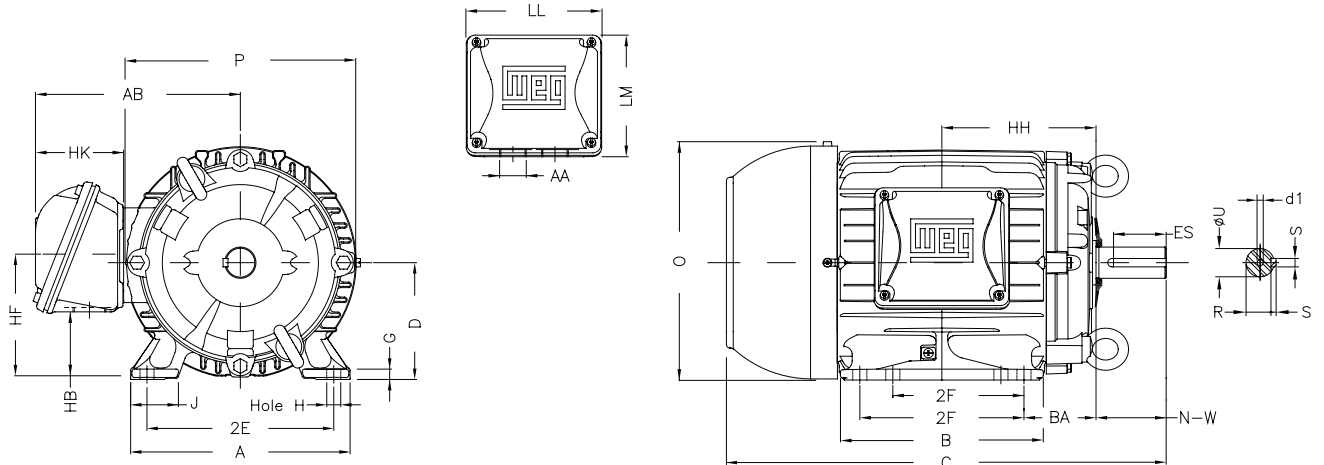


Cooling Tower Motors - Three Phase - TEFC - continued

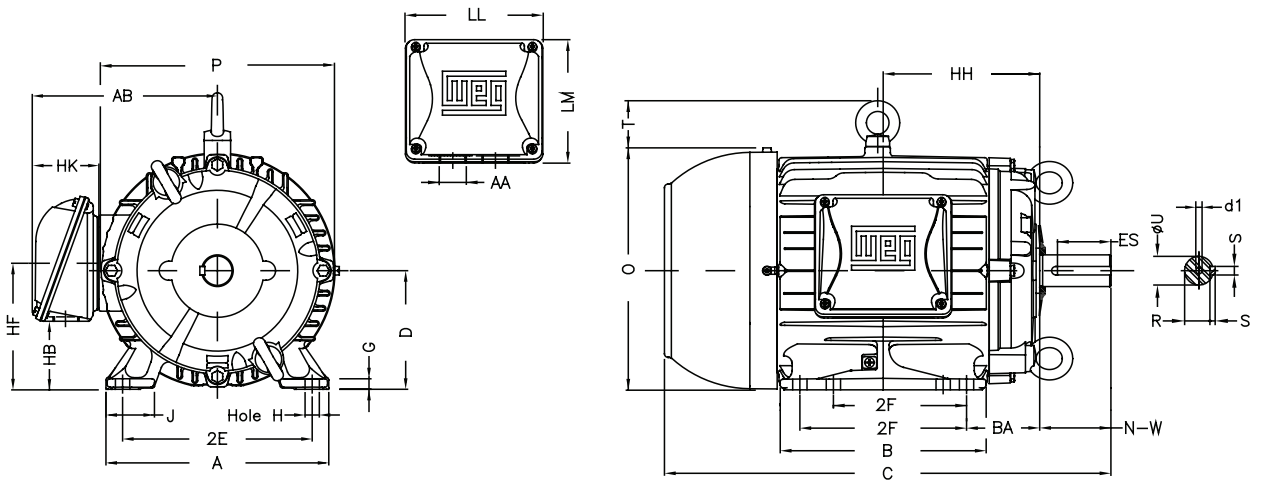
Frame	G	HB	O	HD	HF	HH	HK	Hole H	C	LL	LM	S	AA	T	DE	NDE
143T	0.354	1.787	7.122		3.5	4.25	2.638	0.344	12.346	4.528	4.094	0.187	NPT 3/4"		6205 2RS	6204 2RS
143/5T	0.354	1.787	7.122		3.5	4.75	2.638	0.344	13.358	4.528	4.094	0.187	NPT 3/4"		6205 2RS	6204 2RS
145T	0.354	1.787	7.122		3.5	4.75	2.638	0.344	13.358	4.528	4.094	0.187	NPT 3/4"		6205 2RS	6204 2RS
182T	0.394	2.236	9.343	11.115	4.5	5	3.15	0.406	14.86	5.512	5.236	0.25	NPT 1"	1.772	6207 2RS	6206 2RS
182/4T	0.394	2.236	9.343	11.115	4.5	5.5	3.15	0.406	15.86	5.512	5.236	0.25	NPT 1"	1.772	6207 2RS	6206 2RS
213T	0.669	2.985	10.508	12.613	5.25	6.25	3.15	0.406	18.021	5.512	5.236	0.313	NPT 1"	2.105	6308 2RS	6207 2RS
213/5T	0.669	2.985	10.508	12.613	5.25	7	3.15	0.406	19.517	5.512	5.236	0.313	NPT 1"	2.105	6308 2RS	6207 2RS
215T	0.669	2.985	10.508	12.613	5.25	7	3.15	0.406	19.517	5.512	5.236	0.313	NPT 1"	2.105	6308 2RS	6207 2RS
254T	0.827	3.061	12.598	14.685	6.565	8.376	3.976	0.531	23.213	7.815	7.48	0.375	NPT 1 1/2"	2.087	6309 2RS-C3	6209 2RS-C3
254/6T	0.827	3.061	12.598	14.685	6.565	9.25	3.976	0.531	24.945	7.815	7.48	0.375	NPT 1 1/2"	2.087	6309 2RS-C3	6209 2RS-C3
256T	0.827	3.061	12.598	14.685	6.565	9.25	3.976	0.531	24.945	7.815	7.48	0.375	NPT 1 1/2"	2.087	6309 2RS-C3	6209 2RS-C3
284TS	1.023	3.535	14.067	16.154	7	9.5	3.976	0.531	25.061	7.815	7.48	0.375	NPT 1 1/2"	2.087	6311 2RS-C3	6211 2RS-C3
284T	1.023	3.535	14.067	16.154	7	9.5	3.976	0.531	26.433	7.815	7.48	0.5	NPT 1 1/2"	2.087	6311 2RS-C3	6211 2RS-C3
284/6T	1.023	3.535	14.067	16.154	7	10.25	3.976	0.531	27.929	7.815	7.48	0.5	NPT 1 1/2"	2.087	6311 2RS-C3	6211 2RS-C3
284/6TS	1.023	3.535	14.067	16.154	7	10.25	3.976	0.531	26.557	7.815	7.48	0.375	NPT 1 1/2"	2.087	6311 2RS-C3	6211 2RS-C3
324T	1.3	4.811	15.953	18.394	8.708	10.5	4.705	0.657	29.62	9.055	8.661	0.5	NPT 2"	2.441	6312 2RS-C3	6212 2RS-C3
324TS	1.3	4.811	15.953	18.394	8.708	10.5	4.705	0.657	28.12	9.055	8.661	0.5	NPT 2"	2.441	6312 2RS-C3	6212 2RS-C3
324/6TS	1.3	4.811	15.953	18.394	8.708	11.25	4.705	0.657	29.616	9.055	8.661	0.5	NPT 2"	2.441	6312 2RS-C3	6212 2RS-C3
324/6T	1.3	4.811	15.953	18.394	8.708	11.25	4.705	0.657	31.116	9.055	8.661	0.5	NPT 2"	2.441	6312 2RS-C3	6212 2RS-C3
326T	1.3	4.811	15.953	18.394	8.708	11.25	4.705	0.657	31.116	9.055	8.661	0.5	NPT 2"	2.441	6312 2RS-C3	6212 2RS-C3
326TS	1.3	4.811	15.953	18.394	8.708	11.25	4.705	0.657	29.616	9.055	8.661	0.5	NPT 2"	2.441	6312 2RS-C3	6212 2RS-C3
364/5T	1.48	4.251	17.957	21.535		11.988	6.024	0.66	34.251	10.591	11.267	0.625	NPT 3"	3.578	6314 2RS-C3	6314 2RS-C3
364/5TS	1.48	4.251	17.957	21.535		11.988	6.024	0.66	32.276	10.591	11.267	0.5	NPT 3"	3.578	6314 C3	6314 C3
404/5T	1.811	5.252	19.566	23.11		13.496	6.024	0.81	39.73	10.591	11.267	0.75	NPT 3"	3.544	6316 2RS-C3	6314 2RS-C3
404/5TS	1.811	5.252	19.566	23.11		13.496	6.024	0.81	36.732	10.591	11.267	0.5	NPT 3"	3.544	6314 C3	6314 C3
444/5T	1.63	5.687	22.795			15.748	5.97	0.81	44.95	12.362	12.283	0.875	2xNPT 3"		6319 C3	6316 C3
444/5TS	1.63	5.687	22.795			15.748	5.97	0.81	41.2	12.362	12.283	0.625	2xNPT 3"		6314 C3	6314 C3
445/7T	1.654	12.488	22.795	27.527	20.724	11.811	6.929	0.81	48.701	14.921	15.039	0.875	2xNPT 3"	4.732	6319 C3	6316 C3
445/7TS	1.654	12.488	22.795	27.527	20.724	11.811	6.929	0.81	44.951	14.921	15.039	0.625	2xNPT 3"	4.732	6314 C3	6314 C3
447/9T	1.63	12.488	22.795	27.527	20.724	11.811	6.929	0.81	56.338	14.921	15.039	0.875	2xNPT 3"	4.732	6322 C3	6319 C3
447/9TS	1.63	12.488	22.795	27.527	20.724	11.811	6.929	0.81	52.588	14.921	15.039	0.625	2xNPT 3"	4.732	6314 C3	6314 C3
L447/9T	1.63	11.535	23.874	28.7	20.551	11.87	8.661	0.81	57.181	15.906	17.165	0.875	2xNPT 3"	4.826	6322 C3	6319 C3
L447/9TS	1.63	11.535	23.874	28.7	20.551	11.87	8.661	0.81	53.431	15.906	17.165	0.625	2xNPT 3"	4.826	6314 C3	6314 C3
504/5T	1.87	15.167	25.425	30.206	24.291	10.374	6.929	1.25	54.095	14.921	15.039	0.875	2xNPT 3"	4.781	6319 C3	6316 C3
504/5TS	1.87	15.167	25.425	30.206	24.291	10.374	6.929	1.25	48.215	14.921	15.039	0.625	2xNPT 3"	4.781	6314 C3	6314 C3
586/7T	2.492	18.575	28.985	35.74	26.732	13.346	8.661	1.181	61.902	15.906	17.165	1	2xNPT 3"	6.755	6322 C3	6319 C3
586/7TS	2.492	18.575	28.985	35.74	26.732	13.346	8.661	1.181	55.027	15.906	17.165	0.625	2xNPT 3"	6.755	6314 C3	6314 C3
588/9T	2.492	16.338	28.985	37.755	26.182	13.346	11.417	1.181	69.381	18.11	21.417	1	2xNPT 4"	8.77	6322 C3	6319 C3
588/9TS	2.492	16.338	28.985	37.755	26.182	13.346	11.417	1.181	62.506	18.11	21.417	0.625	2xNPT 4"	8.77	6314 C3	6314 C3

Drawings found on B-88 and B-89

Frames 143 to 213/5

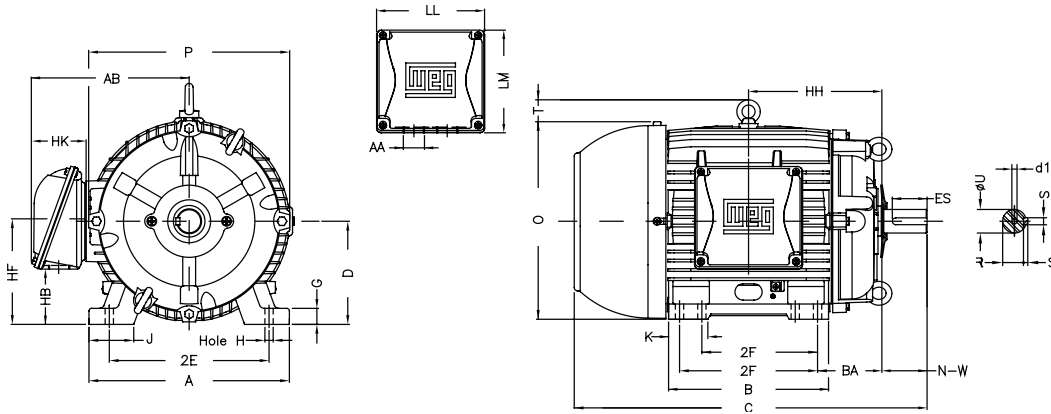


Frames 182 to 213/5

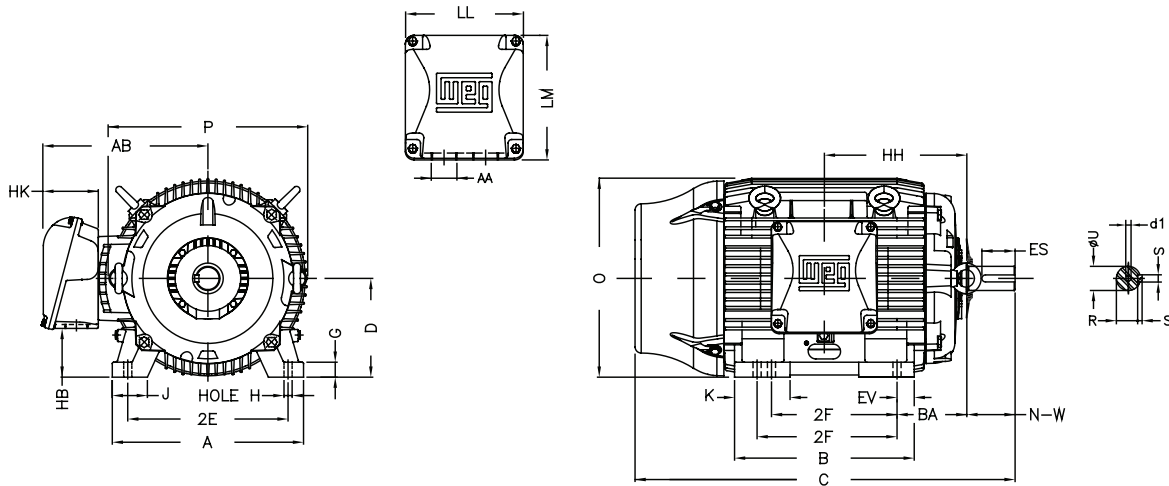


Cooling Tower Motors - Three Phase - TEFC - *continued*

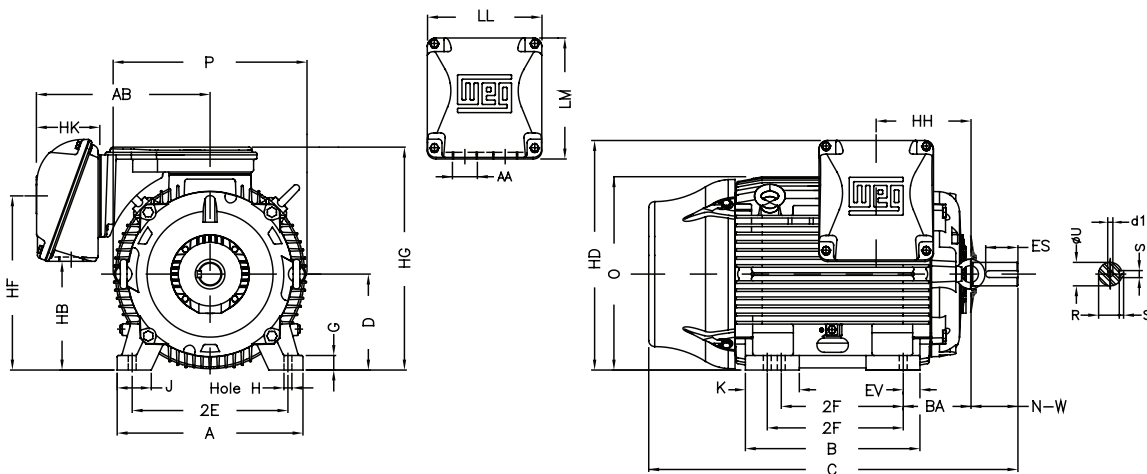
Frames 254 to 326



Frames 364/5 to 445/7



Frames 447/9 to 588/9



Cooling Tower Motors - Three Phase - TEAO

Frame	2E	J	A	P	AB	AH	2F	B	BA	CH	U	N-W	Key Length	R	D
143T	5.5	1.437	6.457	6.85	6.26	2.125	4	5.157	2.25	0.708	0.875	2.25	1.575	0.771	3.5
143/5T	5.5	1.437	6.457	6.85	6.26	2.125	4.000/5.000	6.142	2.25	0.708	0.875	2.25	1.575	0.771	3.5
145T	5.5	1.437	6.457	6.85	6.26	2.125	5	6.142	2.25	0.708	0.875	2.25	1.575	0.771	3.5
182T	7.5	1.614	8.661	8.504	7.565	2.625	4.5	5.945	2.75	1.22	1.125	2.75	1.969	0.984	4.5
182/4T	7.5	1.614	8.661	8.504	7.565	2.625	4.500/5.500	6.969	2.75	1.22	1.125	2.75	1.969	0.984	4.5
213T	8.5	1.779	9.764	10.669	8.667	3.125	5.5	7.362	3.5	1.22	1.375	3.375	2.48	1.203	5.25
213/5T	8.5	1.779	9.764	10.669	8.667	3.125	5.500/7.000	8.858	3.5	1.22	1.375	3.375	2.48	1.203	5.25
215T	8.5	1.779	9.764	10.669	8.667	3.125	7	8.858	3.5	1.22	1.375	3.375	2.48	1.203	5.25
254T	10	2.539	12.126	12.48	10.483	3.75	8.252	10	4.25	1.85	1.625	4	2.756	1.416	6.25
254/6T	10	2.539	12.126	12.48	10.483	3.75	8.252/10.000	11.732	4.25	1.85	1.625	4	2.756	1.416	6.25
256T	10	2.539	12.126	12.48	10.483	3.75	10	11.732	4.25	1.85	1.625	4	2.756	1.416	6.25
284T	11	3.11	13.78	13.78	11.073	4.375	9.5	11.575	4.75	2.244	1.875	4.622	3.149	1.594	7
284TS	11	3.11	13.78	13.78	11.073	3	9.5	11.575	4.75	2.244	1.625	3.25	2.48	1.416	7
284/6T	11	3.11	13.78	13.78	11.073	4.375	9.500/11.000	13.071	4.75	2.244	1.875	4.622	3.149	1.594	7
284/6TS	11	3.11	13.78	13.78	11.073	3	9.500/11.000	13.071	4.75	2.244	1.625	3.25	2.48	1.416	7
324T	12.5	3.189	15.157	14.961	12.575	5	10.5	13.071	5.25	2.638	2.125	5.25	3.937	1.844	8
324TS	12.5	3.189	15.157	14.961	12.575	3.5	10.5	13.071	5.25	2.638	1.875	3.75	2.756	1.594	8
324/6T	12.5	3.189	15.157	14.961	12.575	5	10.500/12.000	14.567	5.25	2.638	2.125	5.25	3.937	1.844	8
326T	12.5	3.189	15.157	14.961	12.575	5	12	14.567	5.25	2.638	2.125	5.25	3.937	1.844	8
326TS	12.5	3.189	15.157	14.961	12.575	3.5	12	14.567	5.25	2.638	1.875	3.75	2.756	1.594	8
364/5T	14.016	3.15	17.165	17.914	16.016	5.625	11.260/12.244	15.512	5.875	3.189	2.375	5.874	4.33	2.019	9
364/5TS	14.016	3.15	17.165	17.914	16.016	3.5	11.260/12.244	15.512	5.875	3.189	1.875	3.748	1.968	1.591	9
404/5T	15.984	3.937	19.921	19.134	16.016	7	12.244/13.740	18.386	6.625	3.189	2.875	7.25	5.512	2.449	10
404/5TS	15.984	3.937	19.921	19.134	16.016	4	12.244/13.740	18.386	6.625	3.189	2.125	4.25	2.756	1.842	10
444/5T	18	3.937	21.929	23.583	18.57	8.25	14.500/16.500	20.315	7.5	3.583	3.375	8.5	7.087	2.88	11
444/5TS	18	3.937	21.929	23.583	18.57	4.5	14.500/16.500	20.315	7.5	3.583	2.375	4.75	3	2.021	11
445/7T	18	3.937	21.929	23.583	20.559	8.25	16.500/20.000	23.897	7.5	3.583	3.375	8.5	7.087	2.88	11
445/7TS	18	3.937	21.929	23.583	20.559	4.5	16.500/20.000	23.897	7.5	3.583	2.375	4.75	3	2.021	11
447/9T	18	3.937	21.929	23.583	20.559	8.25	20.000/25.000	31.535	7.5	3.583	3.375	8.5	7.087	2.88	11
447/9TS	18	3.937	21.929	23.583	20.559	4.5	20.000/25.000	31.535	7.5	3.583	2.375	4.75	3	2.021	11
L447/9T	18	3.937	21.929	25.866	23.72	8.25	20.000/25.000	31.535	7.5	3.583	3.375	8.5	7.087	2.88	11
L447/9TS	18	3.937	21.929	25.866	23.72	4.5	20.000/25.000	31.535	7.5	3.583	2.375	4.75	3	2.021	11
504/5T	20	4.724	24.724	25.866	20.599	10.375	16.000/18.000	24.449	8.5	3.583	3.625	10.63	8.661	3.134	12.5
504/5TS	20	4.724	24.724	25.866	20.599	4.5	16.000/18.000	24.449	8.5	3.583	2.375	4.75	3	2.021	12.5
586/7T	23	5.512	29.528	28.977	23.189	11.375	22.000/25.000	29.921	10	3.583	3.875	11.625	8.661	3.312	14.5
586/7TS	23	5.512	29.528	28.977	23.189	4.5	22.000/25.000	29.921	10	3.583	2.375	4.75	3	2.021	14.5
588/9T	23	5.512	29.528	28.977	27.44	11.375	28.000/32.000	37.98	10	3.583	3.875	11.625	8.661	3.312	14.5
588/9TS	23	5.512	29.528	28.977	27.44	4.5	28.000/32.000	37.98	10	3.583	2.375	4.75	3	2.021	14.5

continued on next page

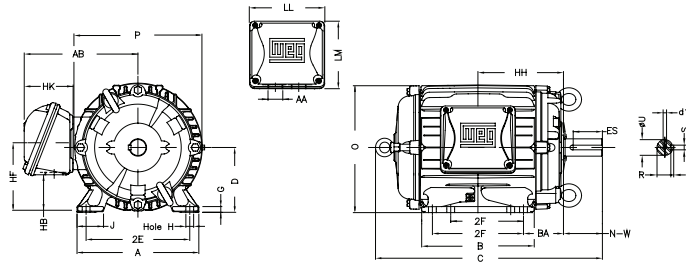
Cooling Tower Motors - Three Phase - TEAO - *continued*

Frame	G	HB	O	HF	HH	HK	Hole H	C	LL	LM	S	AA	T	DE	NDE
143T	0.354	1.787	7.122	3.5	4.25	2.638	0.344	12.353	4.528	4.094	0.187	NPT 3/4"		6205 2RS	6204 2RS
143/5T	0.354	1.787	7.122	3.5	4.75	2.638	0.344	13.338	4.528	4.094	0.187	NPT 3/4"		6205 2RS	6204 2RS
145T	0.354	1.787	7.122	3.5	4.75	2.638	0.344	13.338	4.528	4.094	0.187	NPT 3/4"		6205 2RS	6204 2RS
182T	0.394	2.236	9.343	4.5	5	3.15	0.406	14.298	5.512	5.236	0.25	NPT 1"	1.772	6207 2RS	6206 2RS
182/4T	0.394	2.236	9.343	4.5	5.5	3.15	0.406	15.298	5.512	5.236	0.25	NPT 1"	1.772	6207 2RS	6206 2RS
213T	0.669	2.985	10.508	5.25	6.25	3.15	0.406	17.239	5.512	5.236	0.313	NPT 1"	2.105	6308 2RS	6207 2RS
213/5T	0.669	2.985	10.508	5.25	7	3.15	0.406	18.739	5.512	5.236	0.313	NPT 1"	2.105	6308 2RS	6207 2RS
215T	0.669	2.985	10.508	5.25	7	3.15	0.406	18.739	5.512	5.236	0.313	NPT 1"	2.105	6308 2RS	6207 2RS
254T	0.827	3.061	12.598	6.565	8.376	3.976	0.531	21.594	7.815	7.48	0.375	NPT 1 1/2"	2.087	6309 2RS-C3	6209 2RS-C3
254/6T	0.827	3.061	12.598	6.565	9.25	3.976	0.531	23.343	7.815	7.48	0.375	NPT 1 1/2"	2.087	6309 2RS-C3	6209 2RS-C3
256T	0.827	3.061	12.598	6.565	9.25	3.976	0.531	23.343	7.815	7.48	0.375	NPT 1 1/2"	2.087	6309 2RS-C3	6209 2RS-C3
284T	1.023	3.535	14.067	7	9.5	3.976	0.531	25.418	7.815	7.48	0.5	NPT 1 1/2"	2.087	6311 2RS-C3	6211 2RS-C3
284TS	1.023	3.535	14.067	7	9.5	3.976	0.531	24.043	7.815	7.48	0.375	NPT 1 1/2"	2.087	6311 2RS-C3	6211 2RS-C3
284/6T	1.023	3.535	14.067	7	10.25	3.976	0.531	26.918	7.815	7.48	0.5	NPT 1 1/2"	2.087	6311 2RS-C3	6211 2RS-C3
284/6TS	1.023	3.535	14.067	7	10.25	3.976	0.531	25.543	7.815	7.48	0.375	NPT 1 1/2"	2.087	6311 2RS-C3	6211 2RS-C3
324T	1.3	4.811	15.953	8.708	10.5	4.705	0.657	28.575	9.055	8.661	0.5	NPT 2"	2.441	6312 2RS-C3	6212 2RS-C3
324TS	1.3	4.811	15.953	8.708	10.5	4.705	0.657	27.075	9.055	8.661	0.5	NPT 2"	2.441	6312 2RS-C3	6212 2RS-C3
324/6T	1.3	4.811	15.953	8.708	11.25	4.705	0.657	30.071	9.055	8.661	0.5	NPT 2"	2.441		
326T	1.3	4.811	15.953	8.708	11.25	4.705	0.657	30.071	9.055	8.661	0.5	NPT 2"	2.441	6312 2RS-C3	6212 2RS-C3
326TS	1.3	4.811	15.953	8.708	11.25	4.705	0.657	28.571	9.055	8.661	0.5	NPT 2"	2.441	6312 2RS-C3	6212 2RS-C3
364/5T	1.48	4.251	17.957		11.988	6.024	0.66	29.39	10.591	11.267	0.625	NPT 3"	3.578	6314 2RS-C3	6314 2RS-C3
364/5TS	1.48	4.251	17.957		11.988	6.024	0.66	30.319	10.591	11.267	0.5	NPT 3"	3.578	6314 C3	6314 C3
404/5T	1.811	5.252	19.566		13.496	6.024	0.81	36.415	10.591	11.267	0.75	NPT 3"	3.544	6316 2RS-C3	6314 2RS-C3
404/5TS	1.811	5.252	19.566		13.496	6.024	0.81	33.415	10.591	11.267	0.5	NPT 3"	3.544	6314 C3	6314 C3
444/5T	1.63	5.687	22.795		15.748	5.97	0.81	39.878	12.362	12.283	0.875	2xNPT 3"		6319 C3	6316 C3
444/5TS	1.63	5.687	22.795		15.748	5.97	0.81	36.128	12.362	12.283	0.625	2xNPT 3"		6314 C3	6314 C3
445/7T	1.654	12.488	22.795	20.724	11.811	6.929	0.81	43.382	14.921	15.039	0.875	2xNPT 3"	4.732	6319 C3	6316 C3
445/7TS	1.654	12.488	22.795	20.724	11.811	6.929	0.81	39.592	14.921	15.039	0.625	2xNPT 3"	4.732	6314 C3	6314 C3
447/9T	1.63	12.488	22.795	20.724	11.811	6.929	0.81	51.137	14.921	15.039	0.875	2xNPT 3"	4.732	6322 C3	6319 C3
447/9TS	1.63	12.488	22.795	20.724	11.811	6.929	0.81	47.23	14.921	15.039	0.625	2xNPT 3"	4.732	6314 C3	6314 C3
L447/9T	1.63	11.535	23.874	20.551	11.87	8.661	0.81		15.906	17.165	0.875	2xNPT 3"	4.826	6322 C3	6319 C3
L447/9TS	1.63	11.535	23.874	20.551	11.87	8.661	0.81		15.906	17.165	0.625	2xNPT 3"	4.826	6314 C3	6314 C3
504/5T	1.87	15.167	25.425	24.291	10.374	6.929	1.25	45.965	14.921	15.039	0.875	2xNPT 3"	4.781	6319 C3	6316 C3
504/5TS	1.87	15.167	25.425	24.291	10.374	6.929	1.25	40.045	14.921	15.039	0.625	2xNPT 3"	4.781	6314 C3	6314 C3
586/7T	2.492	18.575	28.985	26.732	13.346	8.661	1.181	55.247	15.906	17.165	1	2xNPT 3"	6.755	6322 C3	6319 C3
586/7TS	2.492	18.575	28.985	26.732	13.346	8.661	1.181	47.722	15.906	17.165	0.625	2xNPT 3"	6.755	6314 C3	6314 C3
588/9T	2.492	16.338	28.985	26.182	13.346	11.417	1.181		18.11	21.417	1	2xNPT 4"	8.77	6322 C3	6319 C3
588/9TS	2.492	16.338	28.985	26.182	13.346	11.417	1.181		18.11	21.417	0.625	2xNPT 4"	8.77	6314 C3	6314 C3

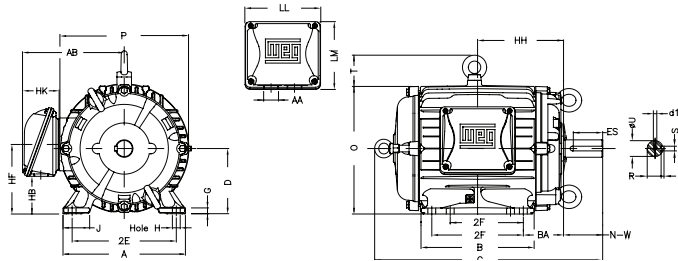
Drawings found on B-92

Cooling Tower Motors - Three Phase - TEAO - *continued*

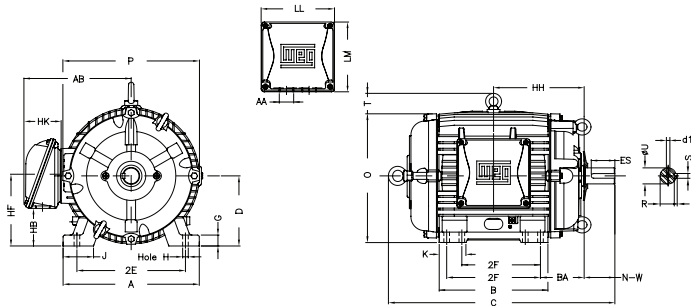
Frame 143 to 145



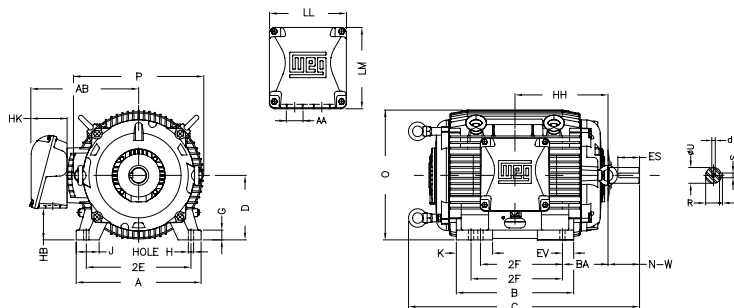
Frame 182 to 213/5



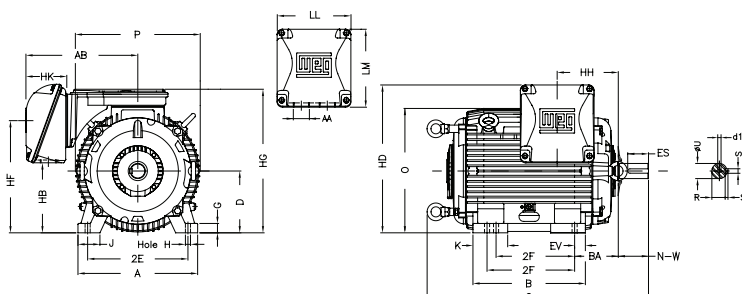
Frames 254 to 326



Frames 364 to 445/7



Frame 447/9 to 588/9



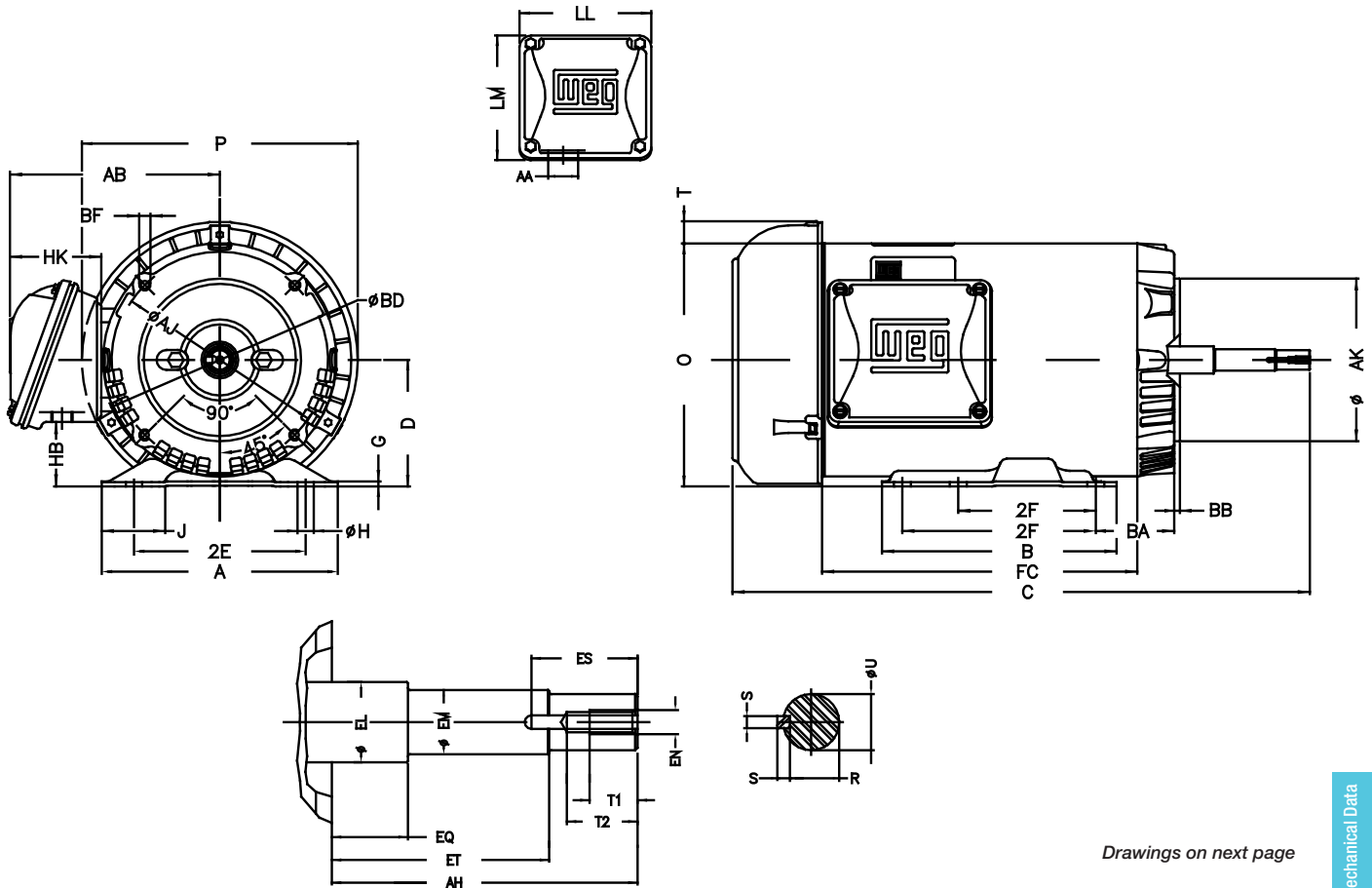
CCP - JM - Three Phase - TEFC - Rolled Steel

Frame	2E	J	A	P	AB	AH	2F	B	BA	C	CH	U	EL	EM	EP	EQ
143/5JM	5.5	1.732	6.535	7.638	5.873	4.267	4.000/5.000	6.496	2.75		1.377	0.875	1.156	1	1.179	0.63
182/4JM	7.5	1.299	8.661	9.435	6.696	4.258	4.500/5.500	6.299	3.5		1.377	0.875	1.25	1	1.376	0.63
213/5JM	8.5	1.575	9.449	10.965	7.973	4.258	5.500/7.000	7.953	4.25		1.929	0.875	1.25	1	1.769	0.63
254/6JM	10	1.693	11.417	13.18	9.448	5.25	8.252/10.000	11.417	4.75		1.929	1.249	1.75	1.375	1.769	0.63

Frame	Key Length	ET	R	D	G	HB	O	HD	HK	Hole H	LL	LM	S	AA	T	DE	NDE
143/5JM	1.575	2.88	0.771	3.5	0.12	1.784	6.724	7.327	2.629	0.343	4.563	4.09	0.187	1.118"	0.603	6206 ZZ	6203 ZZ
182/4JM	1.575	2.88	0.771	4.5	0.167	2.784	8.557	9.218	2.629	0.406	4.563	4.09	0.187	1.118"	0.661	6207 ZZ	6205 ZZ
213/5JM	1.575	2.88	0.771	5.25	0.167	2.982	10.144	10.905	3.022	0.406	5.551	5.25	0.187	1.377"	0.761	6209 ZZ	6206 ZZ
254/6JM	2.559	3.006	1.11	6.25	0.187	3.631	12.01	12.84	3.645	0.53	6.299	6.017	0.25	1.732"	0.83	6309 Z-C3	6208 Z-C3

Frame	Type	Flange	Size	AJ	AK	BD	S	T	AH	Angle	BF Number
143/5JM	C	C	FC-149	5.874	4.5	6.45	UNC 3/8"x16	0.157	4.267	45°	4
182/4JM	C	C	FC-149	5.874	4.5	6.496	UNC 3/8"x16	0.157	4.258	45°	4
213/5JM	C	C	FC-184	7.25	8.5	9.401	UNC 1/2"x13	0.25	4.258	45°	4
254/6JM	C	C	FC-184	7.25	8.5	11.084	UNC 1/2"x13	0.25	5.25	45°	4

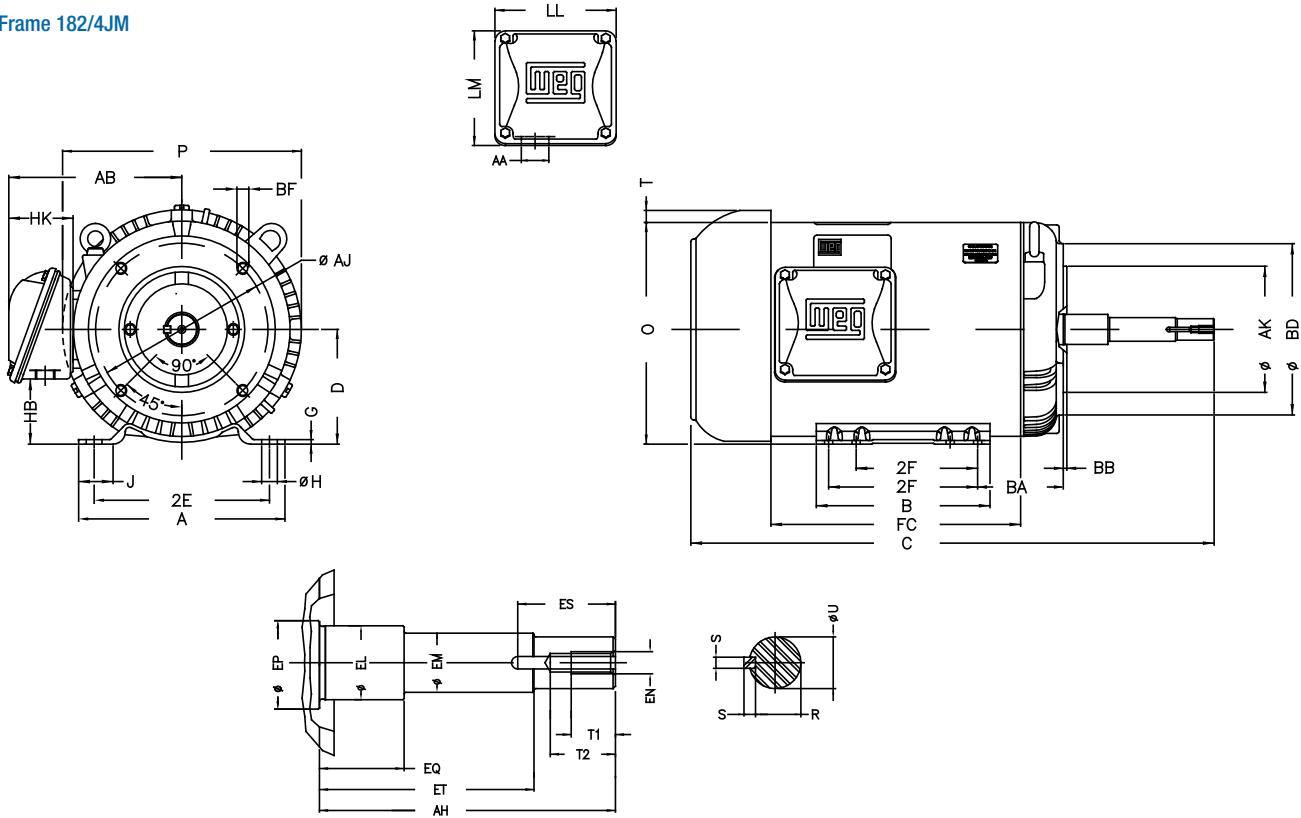
Frame 143/5JM



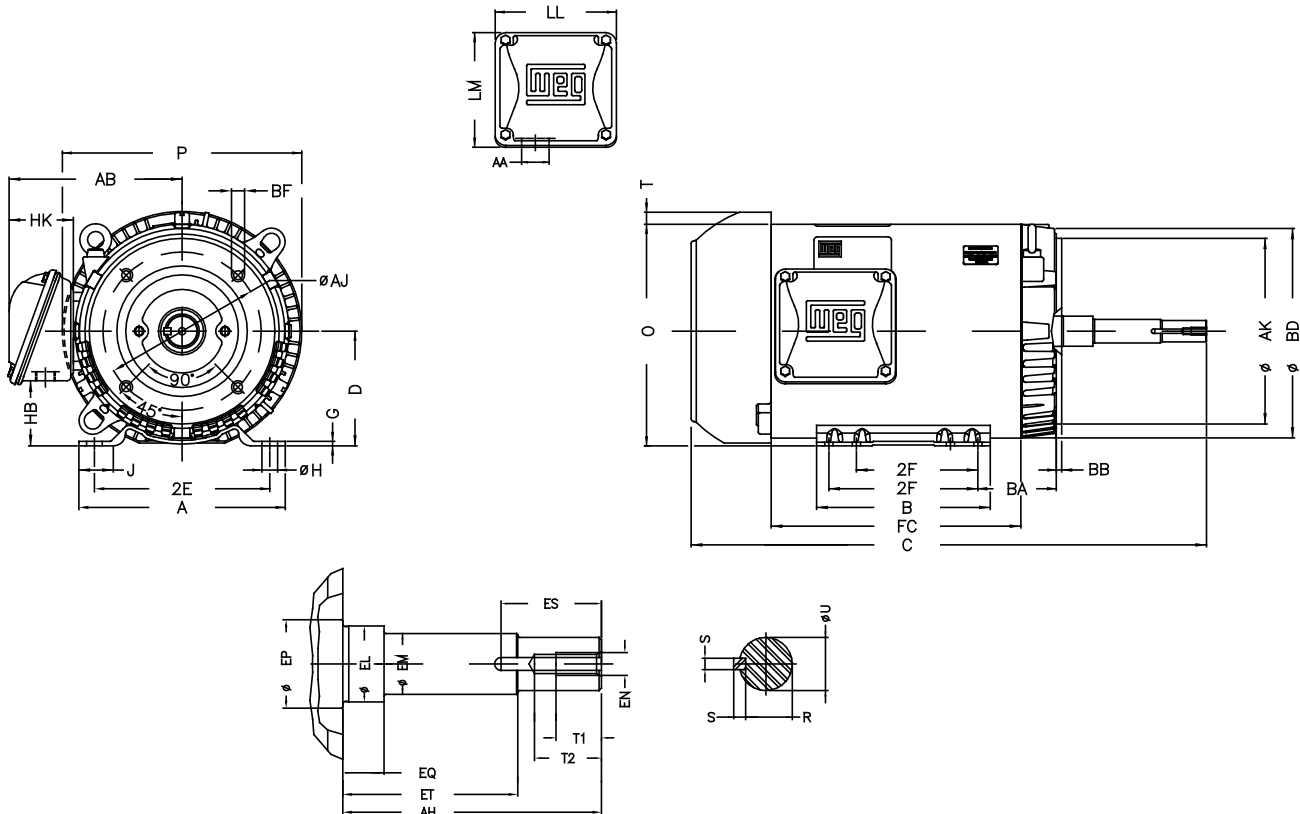
Drawings on next page

CCP - JM - Three Phase - TEFC - Rolled Steel - *continued*

Frame 182/4JM



Frames 213/5JM to 254/6JM



CCP - JM - Three Phase - TEFC - Cast Iron

Frame	2E	J	A	P	AB	AH	2F	B	BA	CH	U	d1	EL	EM	EP
143JM	5.5	1.437	6.457	7.047	6.26	4.258	4	5.157	2.56	0.719	0.874	EUNC 3/8"-16	1.156	1	1.179
143/5JM	5.5	1.437	6.457	7.047	6.26	4.258	4.000/5.000	6.142	2.56	0.719	0.874	EUNC 3/8"-16	1.156	1	1.179
145JM	5.5	1.437	6.457	7.047	6.26	4.258	5	6.142	2.56	0.719	0.874	EUNC 3/8"-16	1.156	1	1.179
182JM	7.5	1.614	8.661	8.74	7.565	4.258	4.5	5.945	2.75	1.337	0.874	EUNC 3/8"-16	1.25	1	1.376
184JM	7.5	1.614	8.661	8.74	7.565	4.258	5.5	6.969	2.75	1.337	0.874	EUNC 3/8"-16	1.25	1	1.376
182/4JM	7.5	1.614	8.661	8.74	7.565	4.258	4.500/5.500	6.969	2.75	1.337	0.874	EUNC 3/8"-16	1.25	1	1.376
213JM	8.5	1.779	9.764	10.669	8.606	4.258	5.5	7.362	3.5	1.22	0.874	EUNC 3/8"-16	1.25	1	1.77
213/5JM	8.5	1.779	9.764	10.669	8.606	4.258	5.500/7.000	8.858	3.5	1.22	0.874	EUNC 3/8"-16	1.25	1	1.77
215JM	8.5	1.779	9.764	10.669	8.606	4.258	7	8.858	3.5	1.22	0.874	EUNC 3/8"-16	1.25	1	1.77
254JM	10	2.539	12.126	12.953	10.483	5.25	8.252	10	4.25	1.85	1.249	EUNC 1/2"-13	1.75	1.375	1.75
254JM	10	2.539	12.126	12.953	10.483	5.25	8.252	10	4.25	1.85	1.249	EUNC 1/2"-13	1.75	1.375	1.75
256JM	10	2.539	12.126	12.953	10.483	5.25	10	11.732	4.25	1.85	1.249	EUNC 1/2"-13	1.75	1.375	1.75
254/6JM	10	2.539	12.126	12.953	10.483	5.25	8.252/10.000	11.732	4.25	1.85	1.249	EUNC 1/2"-13	1.75	1.375	1.75
284JM	11	3.11	13.78	14.173	11.073	5.25	9.5	11.575	4.75	2.244	1.249	EUNC 1/2"-13	1.75	1.375	2.163
284/6JM	11	3.11	13.78	14.173	11.073	5.25	9.500/11.000	13.071	4.75	2.244	1.249	EUNC 1/2"-13	1.75	1.375	2.163
286JM	11	3.11	13.78	14.173	11.073	5.25	11	13.071	4.75	2.244	1.249	EUNC 1/2"-13	1.75	1.375	2.163
324JM	12.5	3.189	15.157	15.827	12.575	5.25	10.5	13.071	5.25	2.638	1.249	EUNC 1/2"-13	1.75	1.375	2.36
324/6JM	12.5	3.189	15.157	15.827	12.575	5.25	10.500/12.000	14.567	5.25	2.638	1.249	EUNC 1/2"-13	1.75	1.375	2.36
326JM	12.5	3.189	15.157	15.827	12.575	5.25	12	14.567	5.25	2.638	1.249	EUNC 1/2"-13	1.75	1.375	2.36
364/5JM	14.016	3.15	17.165	17.914	16.016	5.25	11.260/12.244	15.512	5.875	3.189	1.249	EUNC 1/2"-13	1.75	1.375	2.756

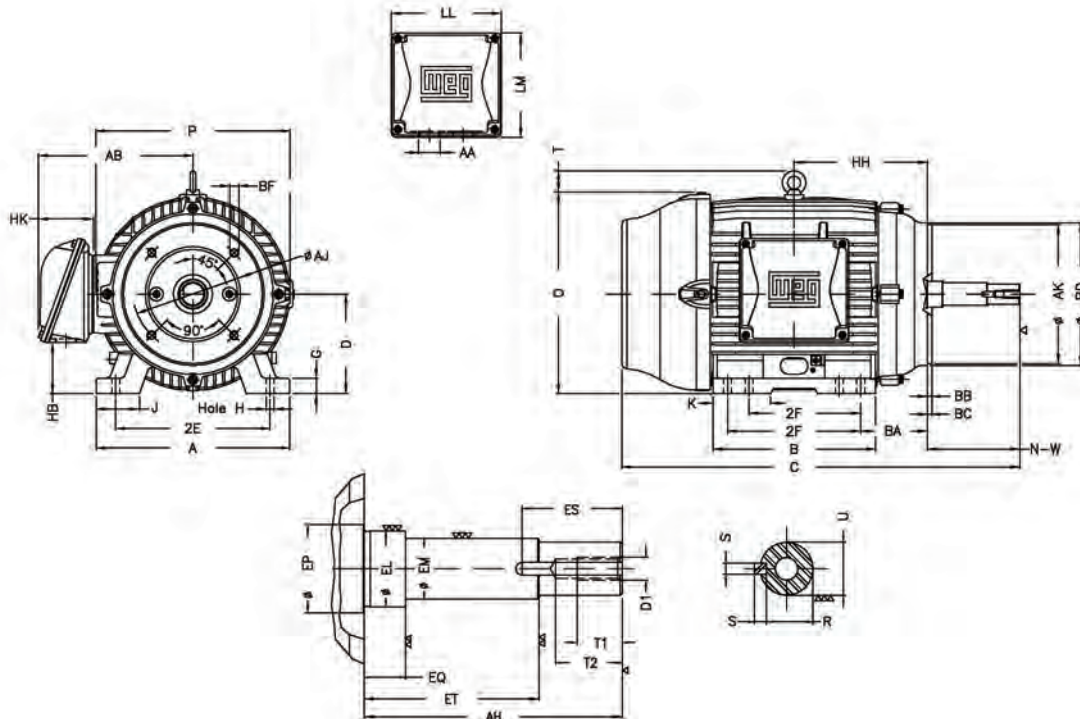
Frame	EQ	ET	R	D	HB	O	HH	HK	Hole H	C	LL	LM	S	T	DE	NDE
143JM	0.63	2.88	0.768	3.5	1.787	7.122	4.25	2.638	0.344	14.691	4.528	4.094	0.187		6206 ZZ	6204 ZZ
143/5JM	0.63	2.88	0.767	3.5	1.787	7.122	4.75	2.638	0.344	15.675	4.528	4.094	0.187		6206 ZZ	6204 ZZ
145JM	0.63	2.88	0.767	3.5	1.787	7.122	4.75	2.638	0.344	15.675	4.528	4.094	0.187		6206 ZZ	6204 ZZ
182JM	0.63	2.88	0.768	4.5	2.236	9.343	5	3.15	0.406	16.412	5.512	5.236	0.187	1.772	6307 ZZ	6206 ZZ
184JM	0.63	2.88	0.768	4.5	2.236	9.343	5.5	3.15	0.406	17.411	5.512	5.236	0.187	1.772	6307 ZZ	6206 ZZ
182/4JM	0.63	2.88	0.768	4.5	2.236	9.343	5.5	3.15	0.406	17.411	5.512	5.236	0.187	1.772	6307 ZZ	6206 ZZ
213JM	0.63	2.88	0.768	5.25	2.985	10.508	6.25	3.15	0.406	18.852	5.512	5.236	0.187	2.105	6309 Z-C3	6207 ZZ
213/5JM	0.63	2.88	0.768	5.25	2.985	10.508	7	3.15	0.406	20.392	5.512	5.236	0.187	2.105	6309 Z-C3	6207 ZZ
215JM	0.63	2.88	0.768	5.25	2.985	10.508	7	3.15	0.406	20.392	5.512	5.236	0.187	2.105	6309 Z-C3	6207 ZZ
254JM	0.63	3.006	1.11	6.25	3.061	12.598	8.376	3.976	0.531	24.478	7.815	7.48	0.25	2.087	6309 C3	6209 C3
254JM	0.63	3.006	1.11	6.25	3.061	12.598	8.376	3.976	0.531	24.478	7.815	7.48	0.25	2.087	6309 C3	6209 C3
256JM	0.63	3.006	1.11	6.25	3.061	12.598	9.25	3.976	0.531	26.226	7.815	7.48	0.25	2.087	6309 C3	6209 C3
254/6JM	0.63	3.006	1.11	6.25	3.061	12.598	9.25	3.976	0.531	26.226	7.815	7.48	0.25	2.087	6309 C3	6209 C3
284JM	0.63	3.006	1.11	7	3.535	14.067	9.5	3.976	0.531	27.165	7.815	7.48	0.25	2.087	6311 C3	6211 C3
284/6JM	0.63	3.006	1.11	7	3.535	14.067	10.25	3.976	0.531	28.7	7.815	7.48	0.25	2.087	6311 C3	6211 C3
286JM	0.63	3.006	1.11	7	3.535	14.067	10.25	3.976	0.531	28.7	7.815	7.48	0.25	2.087	6311 C3	6211 C3
324JM	0.63	3.006	1.11	8	4.811	15.953	10.5	4.705	0.657	28.149	9.055	8.661	0.25	2.441	6312 C3	6212 C3
324/6JM	0.63	3.006	1.11	8	4.811	15.953	11.25	4.705	0.657	29.645	9.055	8.661	0.25	2.441	6312 C3	6212 C3
326JM	0.63	3.006	1.11	8	4.811	15.953	11.25	4.705	0.657	29.645	9.055	8.661	0.25	2.441	6312 C3	6212 C3
364/5JM	0.63	3.006	1.11	9	4.251	17.716	11.988	6.024	0.66	33.832	10.591	11.267	0.25	3.819	6314 C3	6314 C3

continued on next page

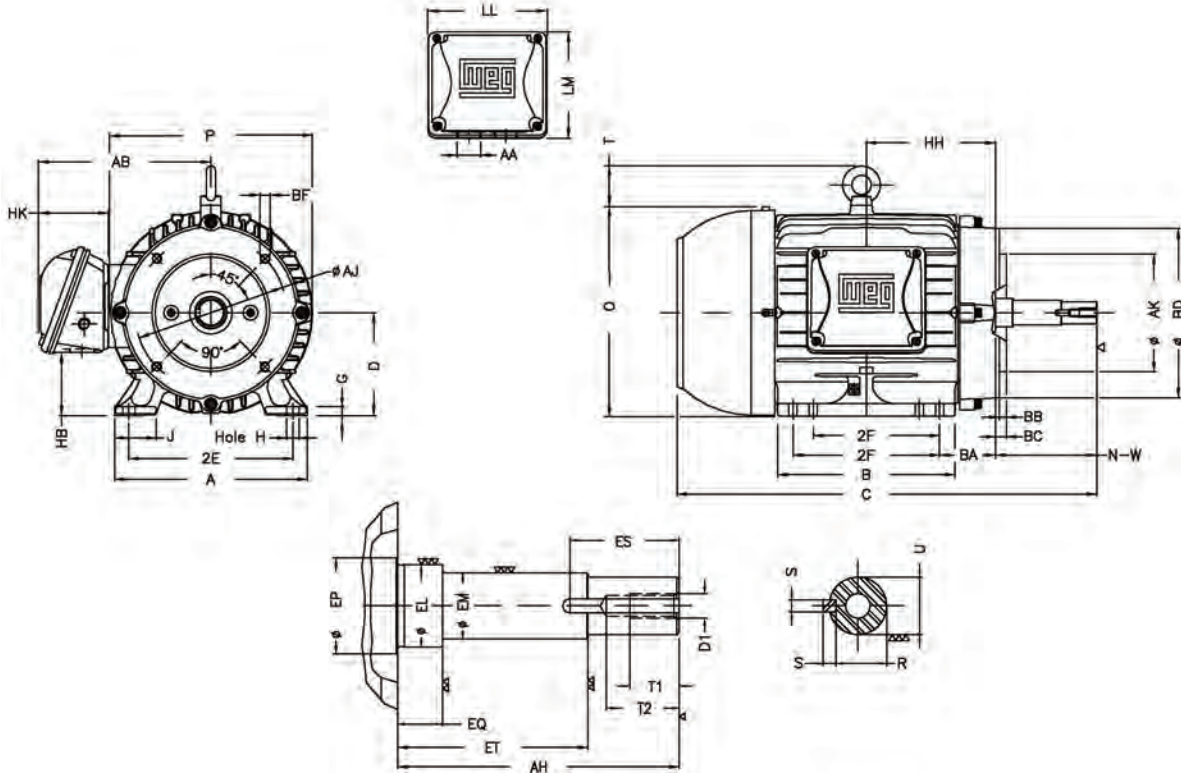
CCP - JM - Three Phase - TEFC - Cast Iron - *continued*

Frame	Type	Flange	Size	AJ	AK	BD	S	T	AH	Angle	BF Number
143JM	C	C	FC-149	5.874	4.5	6.496	UNC 3/8"x16	0.157	4.258	45°	4
145JM	C	C	FC-149	5.874	4.5	6.496	UNC 3/8"x16	0.157	4.258	45°	4
143/5JM	C	C	FC-149	5.874	4.5	6.496	UNC 3/8"x16	0.157	4.258	45°	4
182JM	C	C	FC-149	5.874	4.5	6.496	UNC 3/8"x16	0.157	4.258	45°	4
184JM	C	C	FC-149	5.874	4.5	6.496	UNC 3/8"x16	0.157	4.258	45°	4
182/4JM	C	C	FC-149	5.874	4.5	6.496	UNC 3/8"x16	0.157	4.258	45°	4
213JM	C	C	FC-184	7.252	8.5	8.858	UNC 1/2"x13	0.248	4.258	45°	4
213/5JM	C	C	FC-184	7.252	8.5	8.858	UNC 1/2"x13	0.248	4.258	45°	4
215JM	C	C	FC-184	7.252	8.5	8.858	UNC 1/2"x13	0.248	4.258	45°	4
254JM	C	C	FC-184	7.252	8.5	8.858	UNC 1/2"x13	0.248	5.25	45°	4
256JM	C	C	FC-184	7.252	8.5	8.858	UNC 1/2"x13	0.248	5.25	45°	4
254/6JM	C	C	FC-184	7.252	8.5	8.858	UNC 1/2"x13	0.248	5.25	45°	4
284JM	C	C	FC-279	11	12.5	13.593	UNC 5/8"x11	0.248	5.25	45°	4
286JM	C	C	FC-279	11	12.5	13.593	UNC 5/8"x11	0.248	5.25	45°	4
284/6JM	C	C	FC-279	11	12.5	13.593	UNC 5/8"x11	0.248	5.25	45°	4
324JM	C	C	FC-279	11	12.5	13.593	UNC 5/8"x11	0.248	5.25	45°	4
326JM	C	C	FC-279	11	12.5	13.593	UNC 5/8"x11	0.248	5.25	45°	4
324/6JM	C	C	FC-279	11	12.5	13.593	UNC 5/8"x11	0.248	5.25	45°	4
364/5JM	C	C	FC-279	11	12.5	15.562	UNC 5/8"x11	0.248	5.25	45°	8

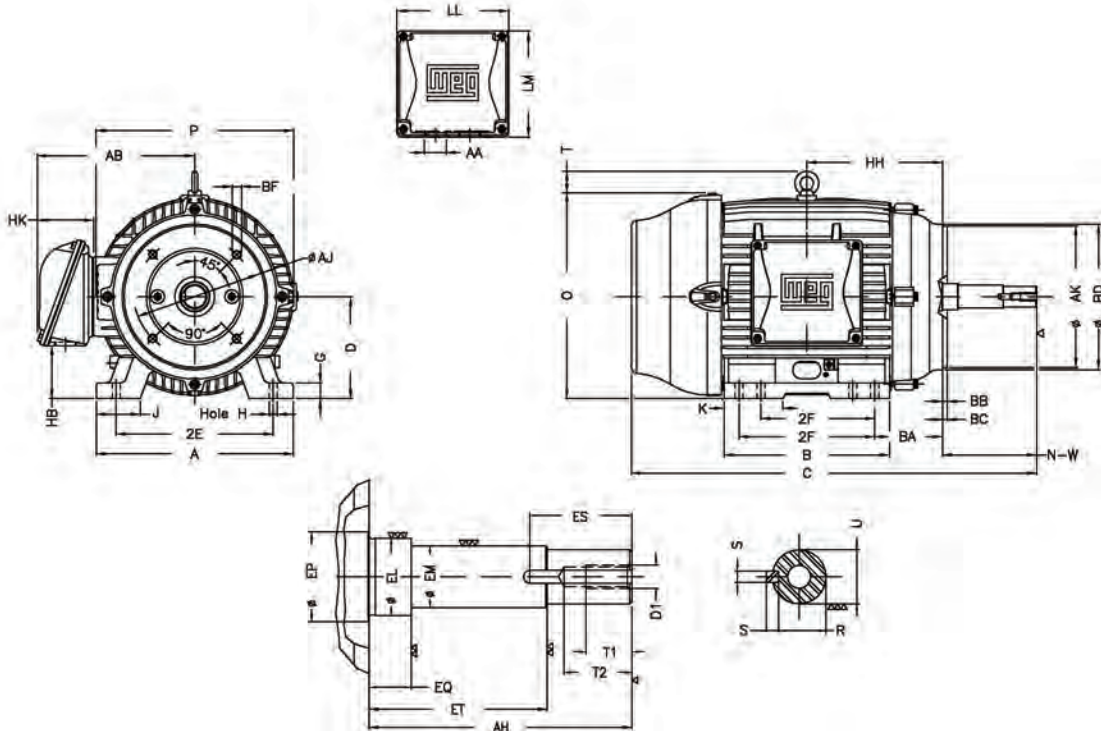
Frames 143JM to 215JM



Frames 254JM to 326JM



Frame 364/5JM



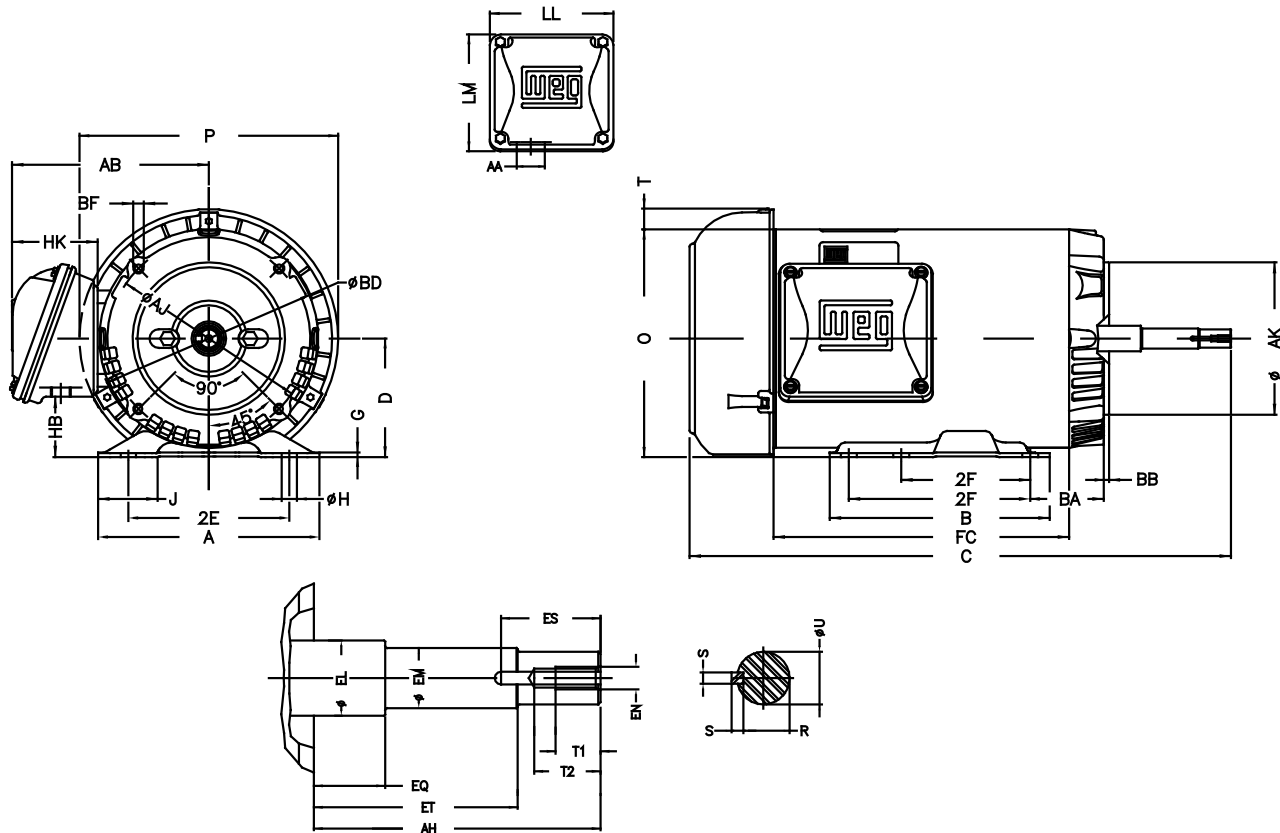
CCP - JP - Three Phase - TEFC - Rolled Steel

Frame	2E	J	A	P	AB	AH	2F	B	BA	CH	U	d1	EL	EM	EP
143/5JP	5.5	1.732	6.535	7.638	5.873	7.319	4.000/5.000	6.496	2.75	1.377	0.875	EUNC 3/8"-16	1.156	1	1.179
182/4JP	7.5	1.299	8.661	9.435	6.696	7.319	4.500/5.500	6.299	3.5	1.377	0.875	EUNC 3/8"-16	1.25	1	1.376
213/5JP	8.5	1.575	9.449	10.965	7.973	8.13	5.500/7.000	7.953	4.25	1.929	1.25	EUNC 1/2"-13	1.75	1.375	1.769
254/6JP	10	1.693	11.417	13.18	9.448	8.13	8.252/10.000	11.417	4.75	1.929	1.249	EUNC 1/2"-13	1.75	1.375	1.769

Frame	Key Length	ET	Width	R	D	G	HB	O	HK	Hole H	LL	LM	S	AA	T	DE	NDE
143/5JP	1.654	5.941	0.187	0.771	3.5	0.12	1.784	6.724	2.629	0.343	4.563	4.09	0.187	1.118"	0.603	6206 ZZ	6203 ZZ
182/4JP	1.654	5.941	0.187	0.771	4.5	0.167	2.784	8.557	2.629	0.406	4.563	4.09	0.187	1.118"	0.661	6207 ZZ	6205 ZZ
213/5JP	2.56	5.886	0.25	1.11	5.25	0.167	2.982	10.144	3.022	0.406	5.551	5.25	0.25	1.377"	0.761	6209 ZZ	6206 ZZ
254/6JP	2.559	5.886	0.25	1.11	6.25	0.187	3.631	12.01	3.645	0.53	6.299	6.017	0.25	1.732"	0.83	6309 Z-C3	6208 Z-C3

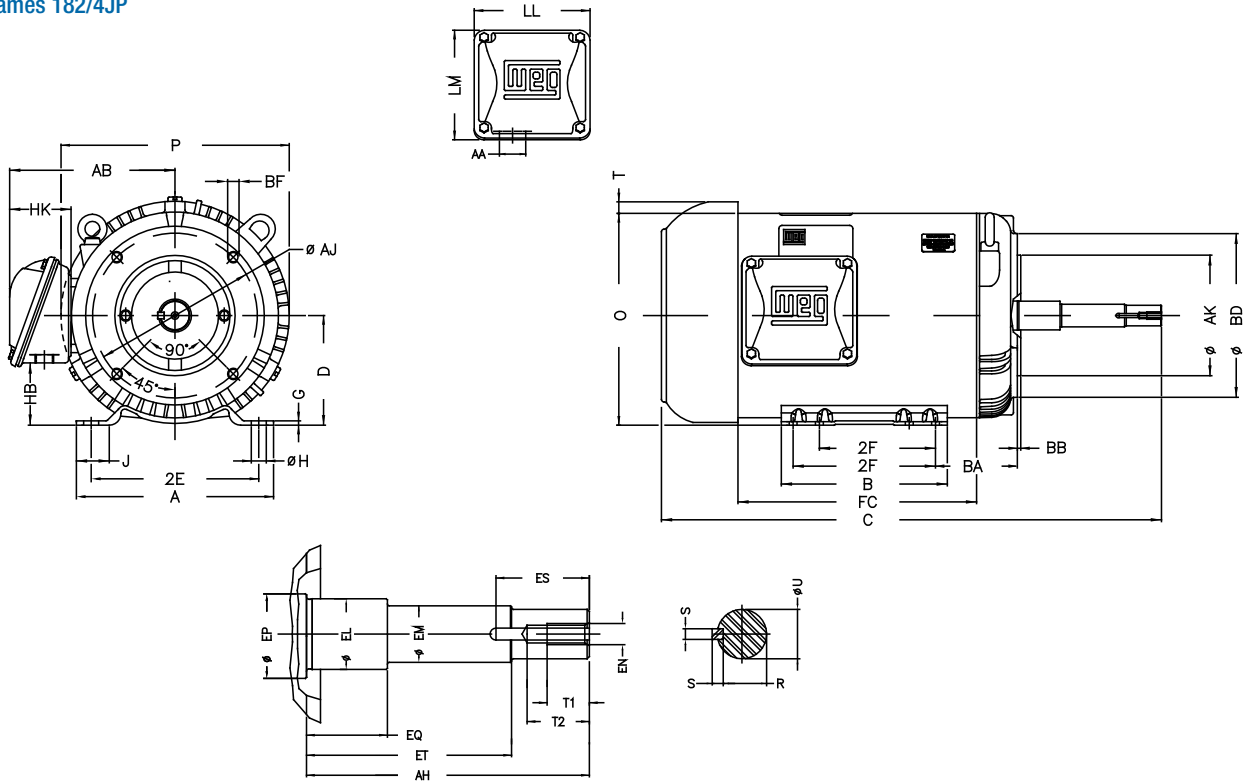
Frame	Type	Flange	Size	BB	AJ	AK	BD	S	T	AH	Angle	BF Number
143/5JP	C	C	FC-149	0.157	5.874	4.5	6.45	UNC 3/8"x16	0.157	7.319	45°	4
182/4JP	C	C	FC-149	0.157	5.874	4.5	6.496	UNC 3/8"x16	0.138	7.319	45°	4
213/5JP	C	C	FC-184	0.25	7.25	8.5	9.401	UNC 1/2"x13	0.25	8.13	45°	4
254/6JP	C	C	FC-184	0.25	7.25	8.5	11.084	UNC 1/2"x13	0.25	8.13	45°	4

Frames 143/5JP

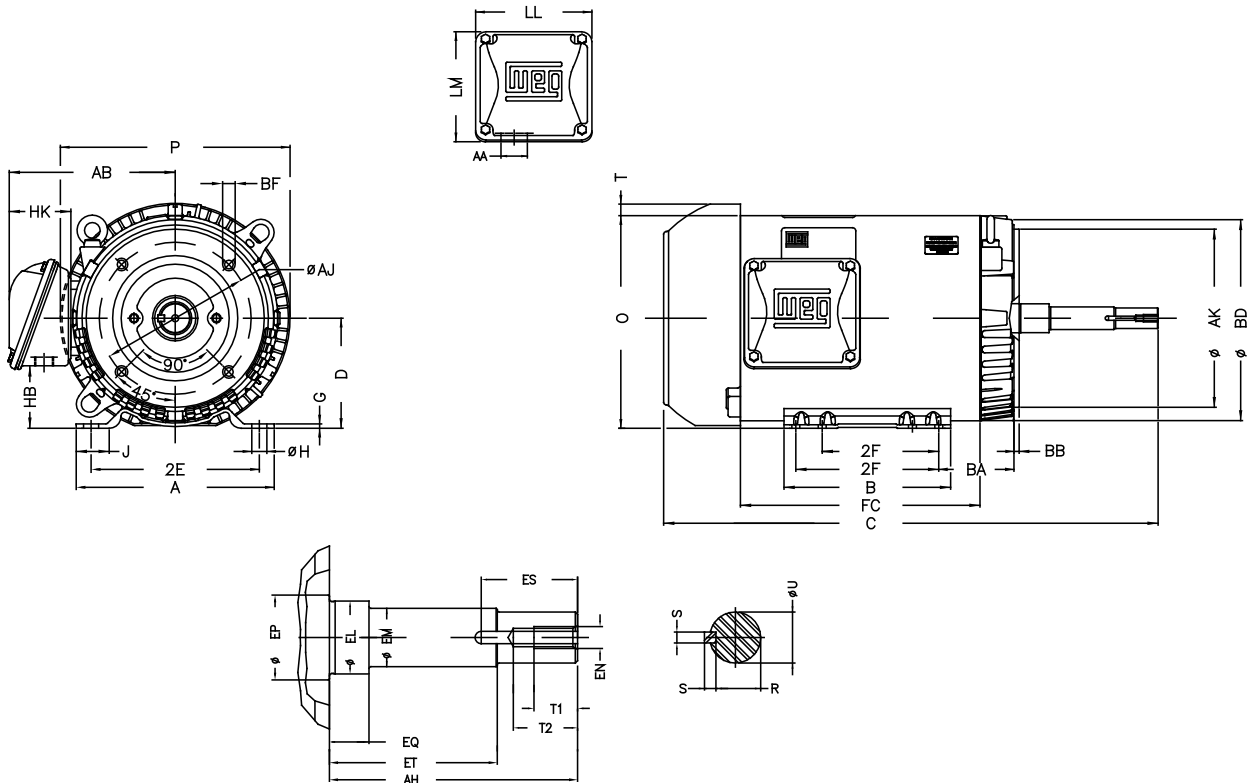


CCP - JP - Three Phase - TEFC - Rolled Steel - *continued*

Frames 182/4JP



Frames 213-254/6JP



CCP - JP - Three Phase - TEFC - Cast Iron

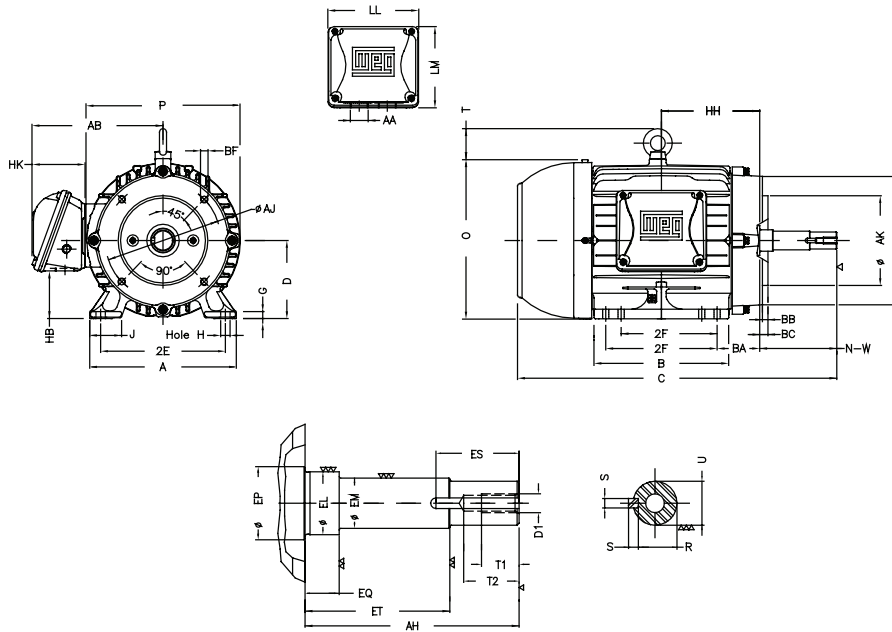
Frame	2E	J	A	P	AB	AH	2F	B	BA	CH	U	EL	EM	EP	EQ	Key Length
143JP	5.5	1.437	6.457	7.047	6.26	7.319	4	5.157	2.56	0.719	0.874	1.156	1	1.179	1.563	1.654
143/5JP	5.5	1.437	6.457	7.047	6.26	7.319	4.000/5.000	6.142	2.56	0.719	0.874	1.156	1	1.179	1.563	1.654
145JP	5.5	1.437	6.457	7.047	6.26	7.319	5	6.142	2.56	0.719	0.874	1.156	1	1.179	1.563	1.654
182JP	7.5	1.614	8.661	8.74	7.565	7.319	4.5	5.945	2.75	1.337	0.874	1.25	1	1.376	1.563	1.575
182/4JP	7.5	1.614	8.661	8.74	7.565	7.319	4.500/5.500	6.969	2.75	1.337	0.874	1.25	1	1.376	1.563	1.575
213JP	8.5	1.779	9.764	10.669	8.606	8.13	5.5	7.362	3.5	1.22	1.249	1.75	1.375	1.77	2.382	2.48
213/5JP	8.5	1.779	9.764	10.669	8.606	8.13	5.500/7.000	8.858	3.5	1.22	1.249	1.75	1.375	1.77	2.382	2.48
215JP	8.5	1.779	9.764	10.669	8.606	8.13	7	8.858	3.5	1.22	1.249	1.75	1.375	1.77	2.382	2.48
254JP	10	2.539	12.126	12.953	10.483	8.13	8.252	10	4.25	1.85	1.249	1.75	1.375	1.77	2.382	2.48
254/6JP	10	2.539	12.126	12.953	10.483	8.13	8.252/10.000	11.732	4.25	1.85	1.249	1.75	1.375	1.77	2.382	2.48
256JP	10	2.539	12.126	12.953	10.483	8.13	10	11.732	4.25	1.85	1.249	1.75	1.375	1.77	2.382	2.48
284JP	11	3.11	13.78	14.173	11.073	8.13	9.5	11.575	4.75	2.244	1.249	1.75	1.375	2.163	2.382	2.48
284/6JP	11	3.11	13.78	14.173	11.073	8.13	9.500/11.000	13.071	4.75	2.244	1.249	1.75	1.375	2.163	2.382	2.48
324JP	12.5	3.189	15.157	15.827	12.575	8.13	10.5	13.071	5.25	2.638	1.249	1.75	1.375	2.36	2.402	2.48
326JP	12.5	3.189	15.157	15.827	12.575	8.13	12	14.567	5.25	2.638	1.249	1.75	1.375	2.36	2.402	2.48
324/6JP	12.5	3.189	15.157	15.827	12.575	8.13	10.500/12.000	14.567	5.25	2.638	1.249	1.75	1.375	2.36	2.402	2.48
364/5JP	14.016	3.15	17.165	17.914	16.016	8.13	11.260/12.244	15.512	5.875	3.189	1.624	2.125	1.75	2.756	2.382	2.48
404/5JP	15.984	3.937	19.921	19.134	16.016	8.13	12.244/13.740	18.386	6.625	3.189	1.624	2.125	1.75	2.756	2.382	2.48

Frame	ET	R	D	G	HB	O	HH	HK	Hole H	C	LL	LM	S	AA	DE	NDE
143JP	5.941	0.768	3.5	0.354	1.787	7.122	4.25	2.638	0.344	17.752	4.528	4.094	0.187	NPT 3/4"	6206 ZZ	6204 ZZ
143/5JP	5.941	0.768	3.5	0.354	1.787	7.122	4.75	2.638	0.344	18.736	4.528	4.094	0.187	NPT 3/4"	6206 ZZ	6204 ZZ
145JP	5.941	0.768	3.5	0.354	1.787	7.122	4.75	2.638	0.344	18.736	4.528	4.094	0.187	NPT 3/4"	6206 ZZ	6204 ZZ
182JP	5.941	0.768	4.5	0.394	2.236	9.343	5	3.15	0.406	19.475	5.512	5.236	0.187	NPT 1"	6307 ZZ	6206 ZZ
182/4JP	5.941	0.768	4.5	0.394	2.236	9.343	5.5	3.15	0.406	20.475	5.512	5.236	0.187	NPT 1"	6307 ZZ	6206 ZZ
213JP	5.886	1.11	5.25	0.669	2.985	10.508	6.25	3.15	0.406	22.804	5.512	5.236	0.25	NPT 1"	6309 Z-C3	6207 ZZ
213/5JP	5.886	1.11	5.25	0.669	2.985	10.508	7	3.15	0.406	24.264	5.512	5.236	0.25	NPT 1"	6309 Z-C3	6207 ZZ
215JP	5.886	1.11	5.25	0.669	2.985	10.508	7	3.15	0.406	24.264	5.512	5.236	0.25	NPT 1"	6309 Z-C3	6207 ZZ
254JP	5.886	1.11	6.25	0.827	3.061	12.598	8.376	3.976	0.531	27.358	7.815	7.48	0.25	NPT 1 1/2"	6309 C3	6209 C3
254/6JP	5.886	1.11	6.25	0.827	3.061	12.598	9.25	3.976	0.531	29.106	7.815	7.48	0.25	NPT 1 1/2"	6309 C3	6209 C3
256JP	5.886	1.11	6.25	0.827	3.061	12.598	9.25	3.976	0.531	29.106	7.815	7.48	0.25	NPT 1 1/2"	6309 C3	6209 C3
284JP	5.886	1.11	7	1.023	3.535	14.067	9.5	3.976	0.531	30.079	7.815	7.48	0.25	NPT 1 1/2"	6311 C3	6211 C3
284/6JP	5.886	1.11	7	1.023	3.535	14.067	10.25	3.976	0.531	31.575	7.815	7.48	0.25	NPT 1 1/2"	6311 C3	6211 C3
324JP	5.906	1.11	8	1.3	4.811	15.953	10.5	4.705	0.657	32.525	9.055	8.661	0.25	NPT 2"	6312 C3	6212 C3
326JP	5.906	1.11	8	1.3	4.811	15.953	11.25	4.705	0.657	34.021	9.055	8.661	0.25	NPT 2"	6312 C3	6212 C3
324/6JP	5.906	1.11	8	1.3	4.811	15.953	11.25	4.705	0.657	34.021	9.055	8.661	0.25	NPT 2"	6312 C3	6212 C3
364/5JP	5.886	1.413	9	1.48	4.251	17.716	11.988	6.024	0.66	35.916	10.591	11.267	0.375	NPT 3"	6314 C3	6314 C3
404/5JP	5.886	1.413	10	1.811	5.252	19.566	13.496	6.024	0.81	38.911	10.591	11.267	0.375	NPT 3"	6314 C3	6314 C3

CCP - JP - Three Phase - TEFC - Cast Iron - *continued*

Frame	Type	Flange	Size	AJ	AK	BD	S	T	AH	Angle	BF Number
143JP	C	C	FC-149	5.874	4.5	6.496	UNC 3/8"x16	0.157	7.319	45°	4
143/5JP	C	C	FC-149	5.874	4.5	6.496	UNC 3/8"x16	0.157	7.319	45°	4
145JP	C	C	FC-149	5.874	4.5	6.496	UNC 3/8"x16	0.157	7.319	45°	4
182JP	C	C	FC-149	5.874	4.5	6.496	UNC 3/8"x16	0.157	7.319	45°	4
182/4JP	C	C	FC-149	5.874	4.5	6.496	UNC 3/8"x16	0.157	7.319	45°	4
213JP	C	C	FC-184	7.252	8.5	8.858	UNC 1/2"x13	0.248	8.13	45°	4
213/5JP	C	C	FC-184	7.252	8.5	8.858	UNC 1/2"x13	0.248	8.13	45°	4
215JP	C	C	FC-184	7.252	8.5	8.858	UNC 1/2"x13	0.248	8.13	45°	4
254JP	C	C	FC-184	7.252	8.5	8.858	UNC 1/2"x13	0.248	8.13	45°	4
254/6JP	C	C	FC-184	7.252	8.5	8.858	UNC 1/2"x13	0.248	8.13	45°	4
256JP	C	C	FC-184	7.252	8.5	8.858	UNC 1/2"x13	0.248	8.13	45°	4
284JP	C	C	FC-279	11	12.5	13.593	UNC 5/8"x11	0.248	8.13	45°	4
284/6JP	C	C	FC-279	11	12.5	13.593	UNC 5/8"x11	0.248	8.13	45°	4
324JP	C	C	FC-279	11	12.5	13.593	UNC 5/8"x11	0.248	8.13	45°	4
326JP	C	C	FC-279	11	12.5	13.593	UNC 5/8"x11	0.248	8.13	45°	4
324/6JP	C	C	FC-279	11	12.5	13.593	UNC 5/8"x11	0.248	8.13	45°	4
364/5JP	C	C	FC-279	11	12.5	15.562	UNC 5/8"x11	0.248	8.13	45°	8
404/5JP	C	C	FC-279	11	12.5	15.562	UNC 5/8"x11	0.248	8.13	45°	8

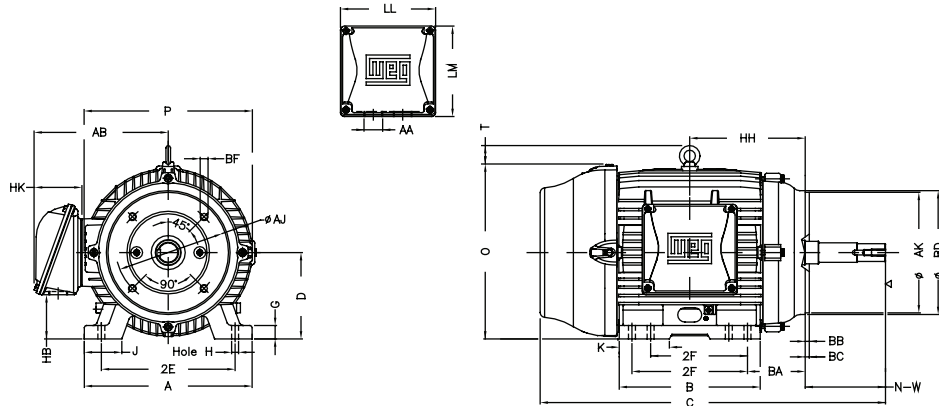
Frames 143JP to 213/5JP



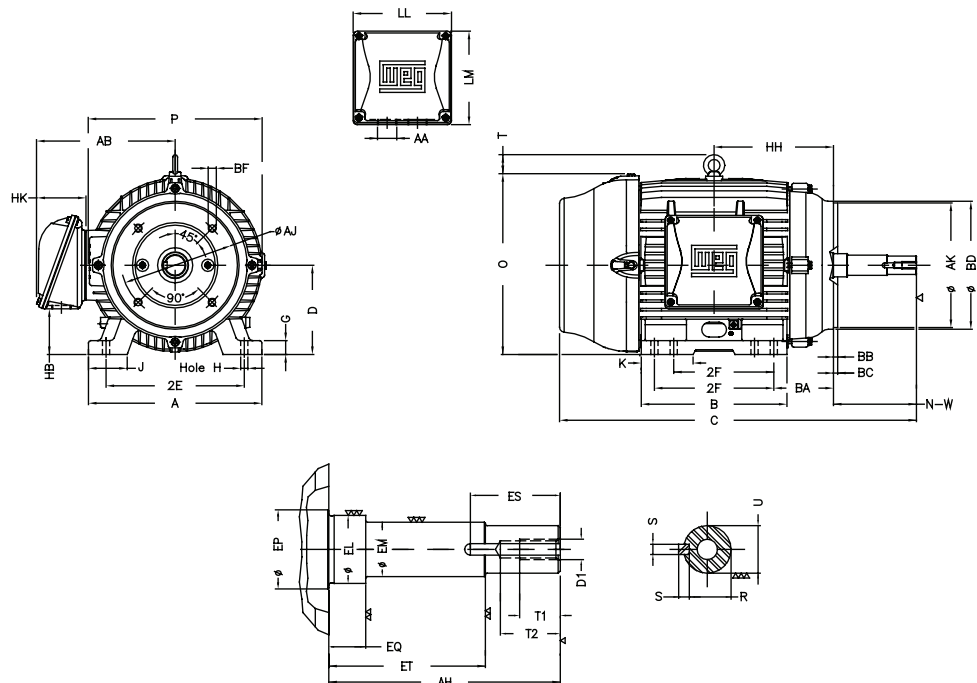
Drawings on next page

CCP - JP - Three Phase - TEFC - Cast Iron - *continued*

Frames 254JP to 326JP



Frames 364/5JP to 404/5JP



CCP - JM - Three Phase - ODP - Rolled Steel

Frame	2E	J	A	P	AB	AH	2F	B	BA	CH	U	EL	EM	EP	EQ
143/5JM	5.5	1.732	6.535	6.467	5.873	4.267	4.000/5.000	6.496	2.75	1.377	0.8745	1.156	1	1.179	0.63
182/4JM	7.5	1.299	8.661	8.114	6.696	4.258	4.500/5.500	6.299	3.5	1.377	0.8745	1.25	1	1.376	0.63
213/5JM	8.5	1.575	9.449	9.846	7.973	4.258	5.500/7.000	7.953	4.25	1.929	0.8745	1.25	1	1.769	0.63
254/6JM	10	1.693	11.417	11.558	9.448	5.25	8.252/10.000	11.417	4.75	1.929	1.249	1.75	1.375	1.769	0.63

Frame	ET	R	D	G	HB	O	HD	HK	Hole H	C	LL	LM	S	AA	DE	NDE
143/5JM	2.88	0.771	3.5	0.12	1.784	6.724	6.728	2.629	0.343		4.563	4.09	0.187	1.118"	6206 ZZ	6203 ZZ
182/4JM	2.88	0.771	4.5	0.167	2.784	8.557	8.557	2.629	0.406		4.563	4.09	0.187	1.118"	6207 ZZ	6205 ZZ
213/5JM	2.88	0.771	5.25	0.167	2.982	10.144	10.173	3.022	0.406		5.551	5.25	0.187	1.377"	6209 ZZ	6206 ZZ
254/6JM	3.006	1.11	6.25	0.187	3.631	12.01	12.029	3.645	0.53		6.299	6.017	0.25	1.732"	6309 Z-C3	6208 Z-C3

Frame	Type	Flange	Size	AJ	AK	BD	S	T	AH	Angle	BF Number
143/5JM	C	C	FC-149	5.874	4.5	6.45	UNC 3/8"x16	0.157	4.267	45°	4
182/4JM	C	C	FC-149	5.874	4.5	6.496	UNC 3/8"x16	0.138	4.258	45°	4
213/5JM	C	C	FC-184	7.25	8.5	9.401	UNC 1/2"x13	0.25	4.258	45°	4
254/6JM	C	C	FC-184	7.25	8.5	11.084	UNC 1/2"x13	0.25	5.25	45°	4

CCP - JP - Three Phase - ODP - Rolled Steel

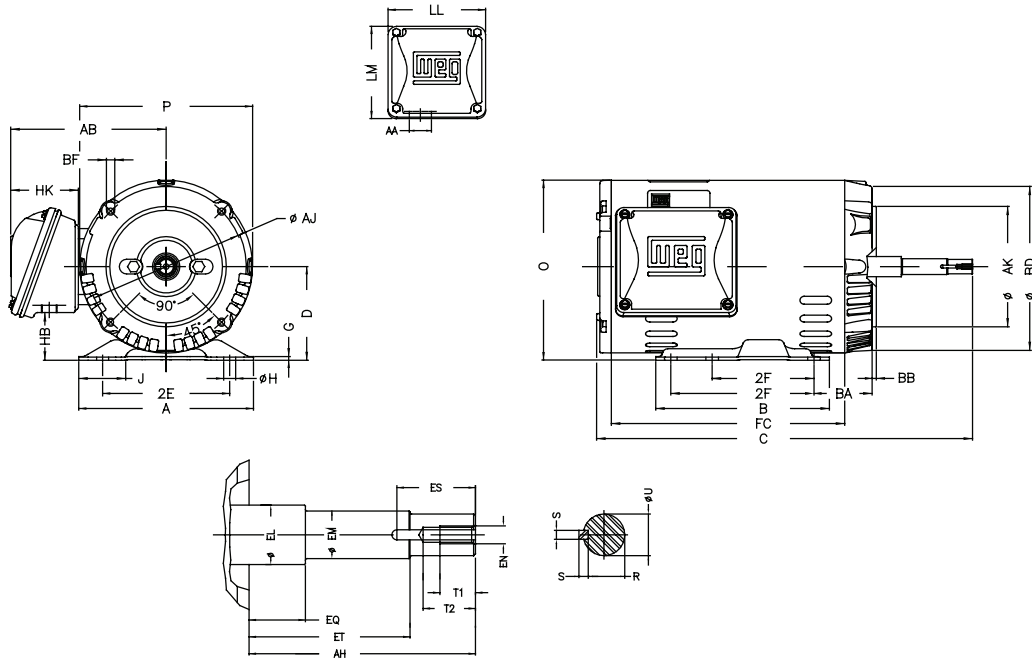
Frame	2E	J	A	P	AB	AH	2F	B	BA	CH	U	EL	EM	EP	EQ
143/5JP	5.5	1.732	6.535	6.467	5.873	7.319	4.000/5.000	6.496	2.75	1.377	0.875	1.156	1	1.179	1.563
182/4JP	7.5	1.299	8.661	8.114	6.696	7.319	4.500/5.500	6.299	3.5	1.377	0.875	1.25	1	1.376	1.563
213/5JP	8.5	1.575	9.449	9.846	7.973	8.13	5.500/7.000	7.953	4.25	1.929	1.25	1.75	1.375	1.769	2.374
254/6JP	10	1.693	11.417	11.558	9.448	8.13	8.252/10.000	11.417	4.75	1.929	1.249	1.75	1.375	1.769	2.382

Frame	Key Length	ET	R	D	G	HB	O	HD	HK	Hole H	C	LL	LM	S	AA	DE	NDE
143/5JP	1.654	5.941	0.771	3.5	0.12	1.784	6.724	6.728	2.629	0.343	-	4.563	4.09	0.187	1.118"	6206 ZZ	6203 ZZ
182/4JP	1.654	5.941	0.771	4.5	0.167	2.784	8.557	8.557	2.629	0.406	-	4.563	4.09	0.187	1.118"	6207 ZZ	6205 ZZ
213/5JP	2.56	5.886	1.11	5.25	0.167	2.982	10.144	10.173	3.022	0.406	-	5.551	5.25	0.25	1.377"	6209 ZZ	6206 ZZ
254/6JP	2.559	5.886	1.11	6.25	0.187	3.631	12.01	12.029	3.645	0.53		6.299	6.017	0.25	1.732"	6309 Z-C3	6208 Z-C3

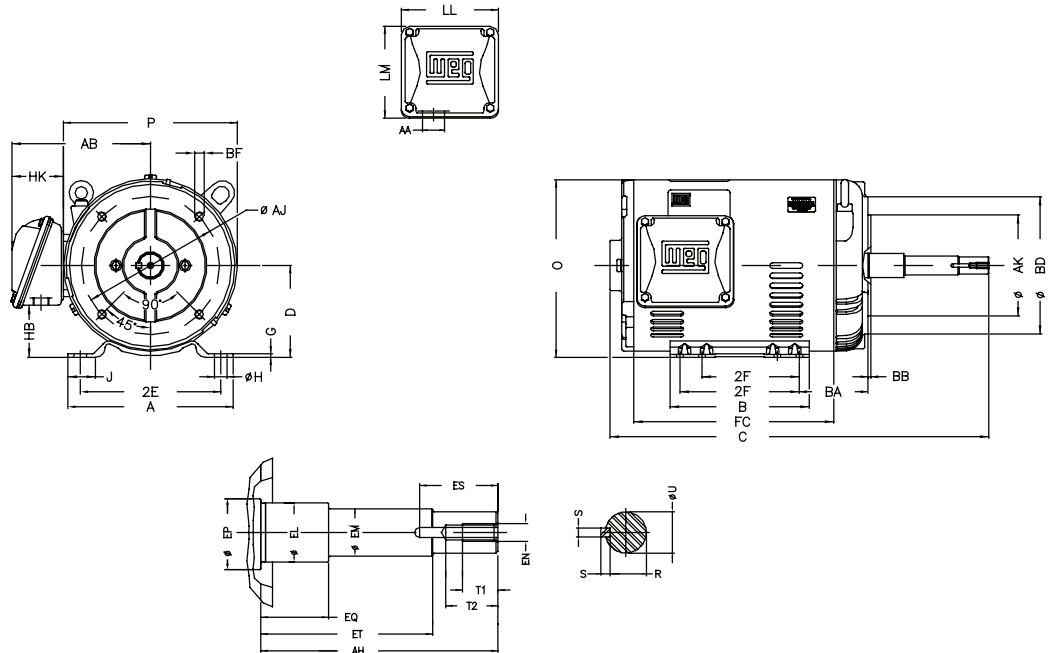
Frame	Type	Flange	Size	AJ	AK	BD	S	T	AH	Angle	BF Number
143/5JP	C	C	FC-149	5.874	4.5	6.45	UNC 3/8"x16	0.157	7.319	45°	4
182/4JP	C	C	FC-149	5.874	4.5	6.496	UNC 3/8"x16	0.138	7.319	45°	4
213/5JP	C	C	FC-184	7.25	8.5	9.401	UNC 1/2"x13	0.25	8.13	45°	4
254/6JP	C	C	FC-184	7.25	8.5	11.084	UNC 1/2"x13	0.25	8.13	45°	4

Drawings on next page

Frame 143

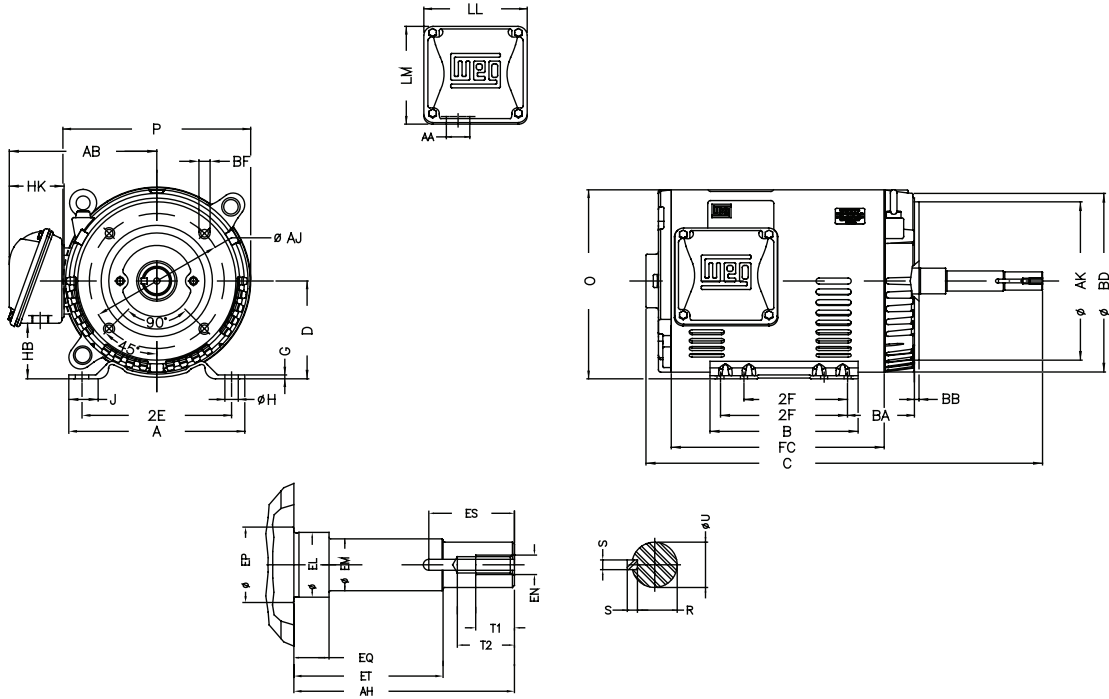


Frame 182



CCP - JM and JP - Three Phase - ODP - Rolled Steel - *continued*

Frame 213 to 256



IEC Metric Motors - Cast Iron Frames

Frame	A	AA	AB	AC	AD	B	BB	C	CA	D	D1	D2	DA	E	EA	ES	F
63	100	25.5	116	125	123	80	95	40	78	11j6	EM4	EM3	9j6	23	20	14	4
71	112	28.5	132	141	131	90	113.5	45	88	14j6	DM5	EM4	11j6	30	23	18	5
80	125	30.5	149	159	140	100	125.5	50	93	19j6	DM6	DM4	14j6	40	30	28	6
90S	140	37	164	184	159	100	131	56	135	24j6	DM8	DM6	16j6	50	40	36	8
90L	140	37	164	184	159	125	156	56	135	24j6	DM8	DM6	16j6	50	40	36	8
L90S	140	37	164	184	159	100	131	56	135	24j6	DM8	DM6	16j6	50	40	36	8
L90L	140	37	164	184	159	125	156	56	135	24j6	DM8	DM6	16j6	50	40	36	8
100L	160	40	188	206	169	140	173	63	118	28j6	DM10	DM8	22j6	60	50	45	8
L100L	160	40	188	206	169	140	173	63	162	28j6	DM10	DM8	22j6	60	50	45	8
112M	190	40.5	220	215	192	140	177	70	128	28j6	DM10	DM8	24j6	60	50	45	8
L112M	190	40.5	220	215	192	140	177	70	158	28j6	DM10	DM8	24j6	60	50	45	8
132S	216	45.5	248	274	220	140	187	89	150	38k6	DM12	DM10	28j6	80	60	63	10
132M	216	45.5	248	274	220	178	225	89	150	38k6	DM12	DM10	28j6	80	60	63	10
132M/L	216	45.5	248	274	220	178/203	250	89	150	38k6	DM12	DM10	28j6	80	60	63	10
160M	254	64	308	329	266	210	254	108	174	42k6	DM16	DM16	42k6	110	110	80	12
160L	254	64	308	329	266	254	298	108	174	42k6	DM16	DM16	42k6	110	110	80	12
180M	279	78	350	360	281	241	294	121	200	48k6	DM16	DM16	48k6	110	110	80	14
180L	279	78	350	360	281	279	332	121	200	48k6	DM16	DM16	48k6	110	110	80	14
200L	318	82	385	402	319	305	370	133	222	55m6	DM20	DM20	48k6	110	110	80	16
225S/M	356	80	436	455	410	286/311	412	149	319/294	60m6	DM20	DM20	60m6	140	140	125	18
250S/M	406	100	506	486	410	311/349	467	168	354/316	65m6	DM20	DM20	60m6	140	140	125	18
280S/M	457	100	557	599	445	368/419	517	190	385/334	75m6	DM20	DM20	65m6	140	140	125	20
315S/M	508	120	630	657	525	406/457	621	216	443	80m6	DM20	DM20	65m6	170	140	160	22
315L	508	120	630	657	589	508	752	216	502	80m6	DM20	DM20	65m6	170	140	160	22
355M/L	610	140	750	736	609	560/630	760	254	483/413	100m6	DM24	DM20	80m6	210	170	200	28

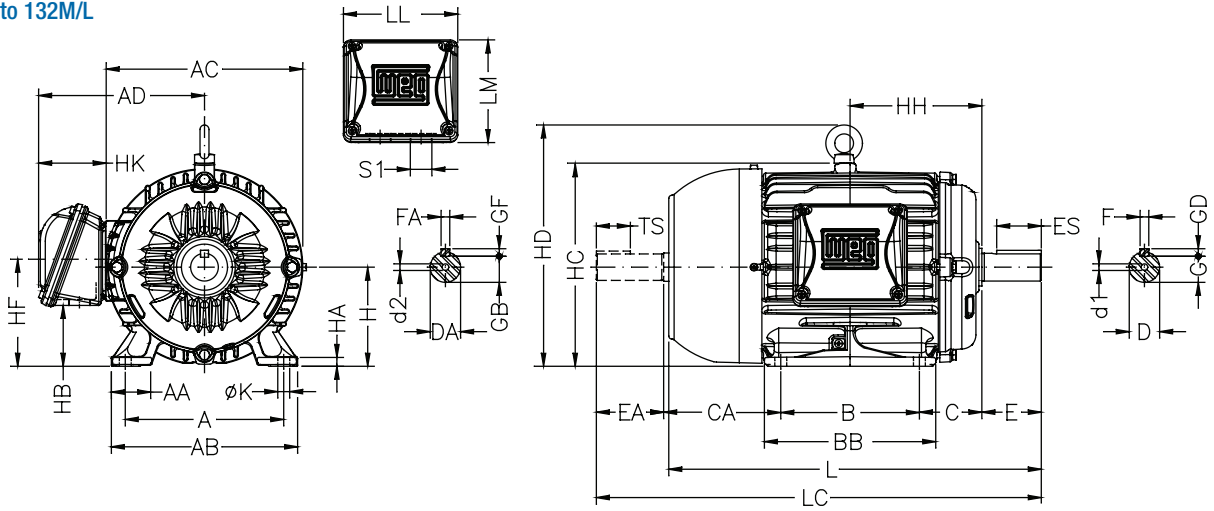
Frame	FA	G	GB	GD	GF	H	HA	HB	HC	HD	HF	HH	HK	K	L	LC	LL	LM	S1	DE	NDE
63	3	8.5	7.2	4	3	63	7	25.5	130	156.3	68.5	80	59	7	216	241	108.5	99	2xM20x1,5	6201 ZZ	6201 ZZ
71	4	11	8.5	5	4	71	7	33	145	163.8	76	90	59	7	250	276	108.5	99	2xM20x1,5	6202 ZZ	6202 ZZ
80	5	15.5	11	6	5	80	8	43.5	163	174.3	87	100	59	10	277	313	108.5	99	2xM20x1,5	6204 ZZ	6203 ZZ
90S	5	20	13	7	5	90	9	45	182	182.4	90	106	67	10	305	350	115	104	2xM25x1,5	6205 ZZ	6204 ZZ
90L	5	20	13	7	5	90	9	45	182	182.4	90	118.5	67	10	329	375	115	104	2xM25x1,5	6205 ZZ	6204 ZZ
L90S	5	20	13	7	5	90	9	45	182	182.4	90	106	67	10			115	104	2xM25x1,5	6205 ZZ	6204 ZZ
L90L	5	20	13	7	5	90	9	45	182	182.4	90	118.5	67	10			115	104	2xM25x1,5	6205 ZZ	6204 ZZ
100L	6	24	18.5	7	6	100	10	61.5	205	244	106.4	133	67	12	376	431	115	104		6206 ZZ	6205 ZZ
L100L	6	24	18.5	7	6	100	10	61.5	205	244	106.4	133	67	12			115	104		6206 ZZ	6205 ZZ
112M	8	24	20	7	7	112	10	54.5	226	280	112	140	80	12	394	448	140	133	2xM32x1,5	6207 ZZ	6206 ZZ
L112M	8	24	20	7	7	112	10	54.5	226	280	112	140	80	12			140	133	2xM32x1,5	6207 ZZ	6206 ZZ
132S	8	33	24	8	7	132	16	75	274	319	132	159	80	12	452	519	140	133	2xM32x1,5	6308 ZZ	6207 ZZ
132M	8	33	24	8	7	132	16	75	274	319	132	178	80	12	489	557	140	133	2xM32x1,5	6308 ZZ	6207 ZZ
132M/L	8	33	24	8	7	132	16	75	274	319	132	190.5	80	12	515	582	140	133	2xM32x1,5	6308 ZZ	6207 ZZ
160M	12	37	37	8	8	160	22	79	331	374	168	213	101	14.5	598	712	198.5	190	2xM40x1,5	6309 C3	6209 C3
160L	12	37	37	8	8	160	22	79	331	374	168	235	101	14.5	642	756	198.5	190	2xM40x1,5	6309 C3	6209 C3
180M	14	42.5	42.5	9	9	180	28	92	366	413	180	241.5	101	14.5	664	782	198.5	190	2xM40x1,5	6311 C3	6211 C3
180L	14	42.5	42.5	9	9	180	28	92	366	413	180	260.5	101	14.5	702	820	198.5	190	2xM40x1,5	6311 C3	6211 C3
200L	14	49	42.5	10	9	200	30	119	407	464	218	285.5	119.5	18.5	767	880	230	220	2xM50x1,5	6312 C3	6212 C3
225S/M	18	53	53	11	11	225	34	254	453	541	421	212	153	18.5	886	1034	269	285	2xM50x1,5	6314 C3	6314 C3
250S/M	18	58	53	11	11	250	43	297	493	583	463	214	153	24	965	1113	269	285	2xM63x1,5	6314 C3	6314 C3
280S/M	18	67.5	58	12	11	280	42	386	580	700	572	266	151	24	1071	1223	314	312	2xM63x1,5	6316 C3	6316 C3
315S/M	18	71	58	14	11	315	48	386	644	768	592	264	176	28	1274	1426	379	382	2xM63x1,5	6319 C3	6316 C3
315L	18	71	58	14	11	315	48	336	644	774	575	284	220	28	1389	1536	404	436	2xM63x1,5	6319 C3	6316 C3
355M/L	22	90	71	16	14	355	50	461	723	898	700	339	220	28	1482	1677	404	436	2xM63x1,5	6322 C3	6319 C3

Dimensions measured in millimeters.

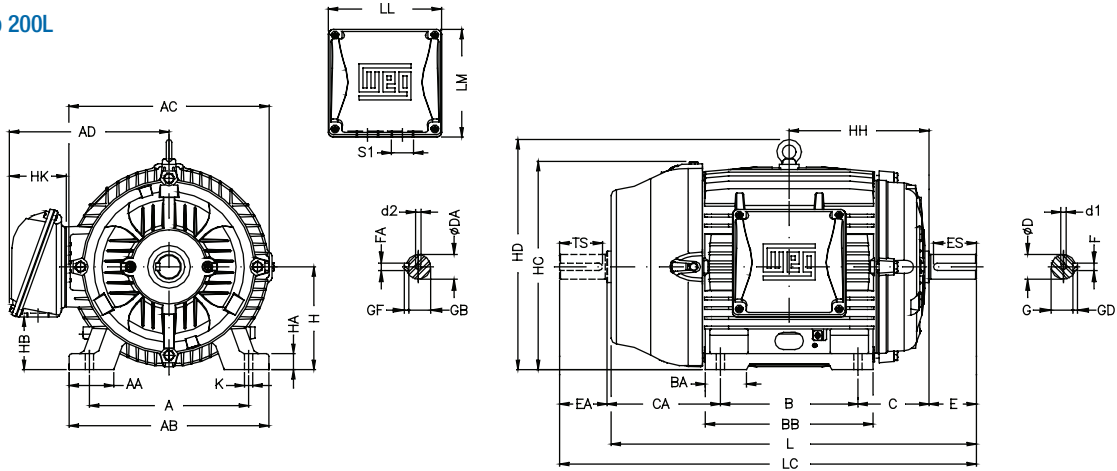
Drawings on next page

IEC Metric Motors - Cast Iron Frames - *continued*

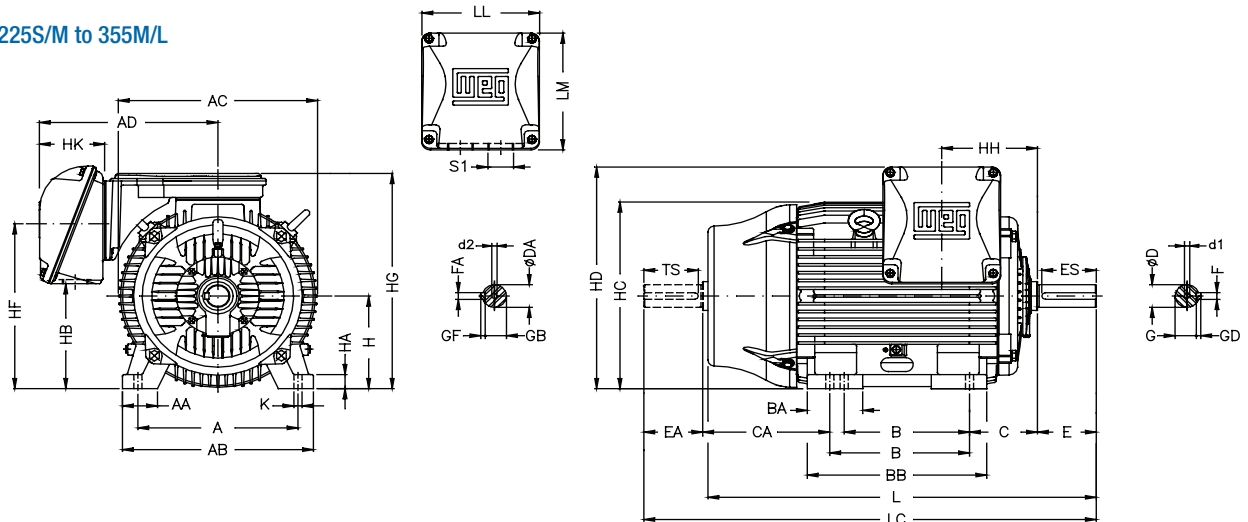
Frames 63 to 132M/L



Frames 160L to 200L



Frames 225S/M to 355M/L

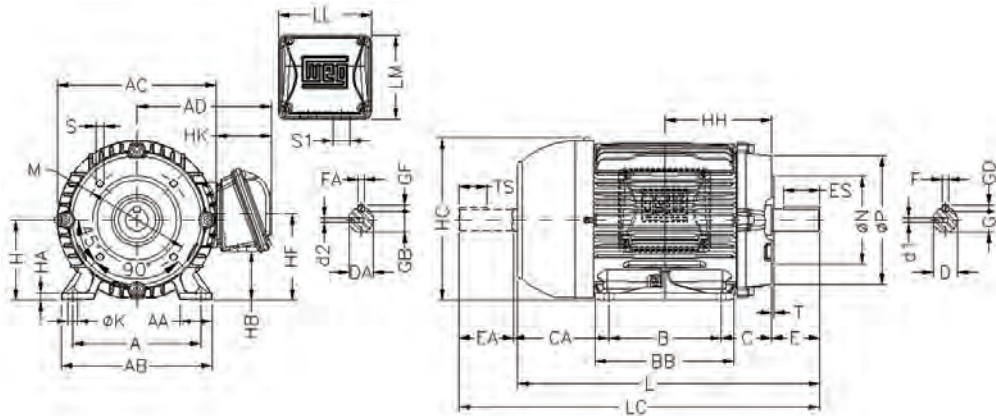


IEC Metric Motors - Cast Iron Frames - Additional Flange Detail

Frame	Type	Flange	Size	LA	M	N	P	S	T	Angle	Holes
63	C	FC	FC-95	4.5	95.2	76.2	143	UNC 1/4"x20	4	45°	4
63	C	C-90	C-90	9.5	75	60	90	M5	2.5	45°	4
71	C	FC	FC-95	10	95.2	76.2	143	UNC 1/4"x20	4	45°	4
71	C	C-105	C-105	8	85	70	105	M6	2.5	45°	4
80	C	FC	FC-95	10	95.2	76.2	143	UNC 1/4"x20	4	45°	4
80	C	C-120	C-120	10.5	100	80	120	M6	3	45°	4
90S	C	FC	FC-149	15	149.2	114.3	165	UNC 3/8"x16	4	45°	4
90S	C	C-140	C-140	10.5	115	95	140	M8	3	45°	4
90L	C	FC	FC-149	15	149.2	114.3	165	UNC 3/8"x16	4	45°	4
90L	C	C-140	C-140	10.5	115	95	140	M8	3	45°	4
100L	C	FC	FC-149	12	149.2	114.3	165	UNC 3/8"x16	4	45°	4
100L	C	C-160	C-160	12	130	110	160	M8	3.5	45°	4
112M	C	FC	FC-184	13.5	184.2	215.9	225	UNC 1/2"x13	6.3	45°	4
112M	C	C-160	C-160	13.5	130	110	160	M8	3.5	45°	4
L90S	C	FC	FC-149	15	149.2	114.3	165	UNC 3/8"x16	4	45°	4
L90S	C	C-140	C-140	10.5	115	95	140	M8	3	45°	4
L100L	C	FC	FC-149	12	149.2	114.3	165	UNC 3/8"x16	4	45°	4
L100L	C	C-160	C-160	12	130	110	160	M8	3.5	45°	4
L90L	C	FC	FC-149	15	149.2	114.3	165	UNC 3/8"x16	4	45°	4
L90L	C	C-140	C-140	10.5	115	95	140	M8	3	45°	4
132S	C	FC	FC-184	9	184.2	215.9	225	UNC 1/2"x13	6.3	45°	4
132S	C	C-200	C-200	15.5	165	130	200	M10	3.5	45°	4
132M	C	FC	FC-184	9	184.2	215.9	225	UNC 1/2"x13	6.3	45°	4
132M	C	C-200	C-200	15.5	165	130	200	M10	3.5	45°	4
L112M	C	FC	FC-184	13.5	184.2	215.9	225	UNC 1/2"x13	6.3	45°	4
L112M	C	C-160	C-160	13.5	130	110	160	M8	3.5	45°	4
160M	C	FC	FC-184		184.2	215.9	225	UNC 1/2"x13	6.3	45°	4
160M	C	C-250	C-250	19	215	180	249	M12x1,75	6.3	45°	4
132M/L	C	FC	FC-184	9	184.2	215.9	225	UNC 1/2"x13	6.3	45°	4
132M/L	C	C-200	C-200	15.5	165	130	200	M10	3.5	45°	4
160L	C	FC	FC-184		184.2	215.9	225	UNC 1/2"x13	6.3	45°	4
160L	C	C-250	C-250	19	215	180	249	M12x1,75	6.3	45°	4
180M	C	FC	FC-228	13.5	228.6	266.7	280	UNC 1/2"x13	6.3	45°	4
180L	C	FC	FC-228	13.5	228.6	266.7	280	UNC 1/2"x13	6.3	45°	4
200L	C	FC	FC-228	13.5	228.6	266.7	280	UNC 1/2"x13	6.3	45°	4
225S/M	C	FC	FC-279	18.5	279.4	317.5	395	UNC 5/8"x11	6.3	22°30'	8
250S/M	C	FC	FC-355	18.5	355.6	406.4	455	UNC 5/8"x11	6.3	22°30'	8
280S/M	C	FC	FC-355	18.5	355.6	406.4	455	UNC 5/8"x11	6.3	22°30'	8
315S/M	C	FC	FC-368	18.5	368.3	419.1	455	UNC 5/8"x11	6.3	22°30'	8
315L	C	FC	FC-368	18.5	368.3	419.1	455	UNC 5/8"x11	6.3	22°30'	8
355M/L	C	FC	FC-368	33.5	368.3	419.1	455	UNC 5/8"x11	6.3	22°30'	8

Dimensions in mm

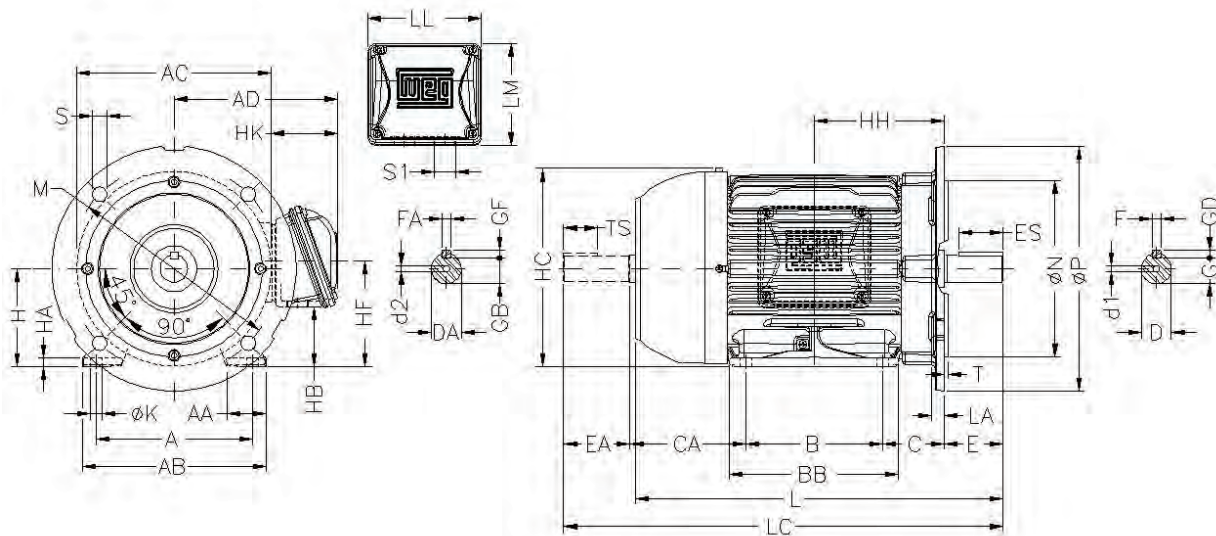
FC & C-DIN Flanges



IEC Metric Motors - Cast Iron Frames - Additional Flange Detail

Frame	Type	Flange	Size	LA	M	N	P	S	T	Angle	Holes
63	F	FF	FF-115	5.5	115	95	140	10	3	45°	4
71	F	FF	FF-130	7	130	110	160	10	3.5	45°	4
80	F	FF	FF-165	9	165	130	200	12	3.5	45°	4
90S	F	FF	FF-165	10	165	130	200	12	3.5	45°	4
90L	F	FF	FF-165	10	165	130	200	12	3.5	45°	4
100L	F	FF	FF-215	12.5	215	180	250	15	4	45°	4
112M	F	FF	FF-215	12.5	215	180	250	15	4	45°	4
L90S	F	FF	FF-165	10	165	130	200	12	3.5	45°	4
L100L	F	FF	FF-215	12.5	215	180	250	15	4	45°	4
L90L	F	FF	FF-165	10	165	130	200	12	3.5	45°	4
132S	F	FF	FF-265	12	265	230	300	15	4	45°	4
132M	F	FF	FF-265	12	265	230	300	15	4	45°	4
L112M	F	FF	FF-215	12.5	215	180	250	15	4	45°	4
160M	F	FF	FF-300	18	300	250	350	19	5	45°	4
132M/L	F	FF	FF-265	12	265	230	300	15	4	45°	4
160L	F	FF	FF-300	18	300	250	350	19	5	45°	4
180M	F	FF	FF-300	18	300	250	350	19	5	45°	4
180L	F	FF	FF-300	18	300	250	350	19	5	45°	4
200L	F	FF	FF-350	18	350	300	400	19	5	45°	4
225S/M	F	FF	FF-400	18	400	350	450	19	5	22°30'	8
250S/M	F	FF	FF-500	18	500	450	550	19	5	22°30'	8
280S/M	F	FF	FF-500	18	500	450	550	19	5	22°30'	8
315S/M	F	FF	FF-600	22	600	550	660	24	6	22°30"	8
315L	F	FF	FF-600	22	600	550	660	24	6	22°30'	8
355M/L	F	FF	FF-740	22	740	680	800	24	6	22°30'	8

Dimensions in mm



Catalog Number	Page	List Price
1311017110	A-120	\$1,683
1311017111	A-120	\$1,706
1311017113	A-120	\$2,005
1311017114	A-120	\$1,981
1311017115	A-120	\$1,619
1311017117	A-121	\$1,663
1311017118	A-121	\$1,688
1311017119	A-121	\$1,962
1311017120	A-121	\$1,985
1311017121	A-120	\$1,544
1311017122	A-121	\$1,526
1311017123	A-121	\$1,601
1311017124	A-120	\$1,642
1311017125	A-121	\$1,626
1311017130	A-120	\$1,886
1311017133	A-120	\$1,694
1311017134	A-120	\$1,722
1311017135	A-121	\$1,771
1311017136	A-121	\$1,666
1311017137	A-121	\$1,704
1311017138	A-120	\$1,875
1311017139	A-121	\$1,782
1311017152	A-121	\$1,879
1311017154	A-125	\$728
1311017155	A-125	\$683
1311017156	A-125	\$668
1311017157	A-125	\$672
1311017159	A-120	\$1,794
1311017161	A-125	\$728
1311017162	A-125	\$672
1311017163	A-125	\$683
1311017164	A-125	\$668
1311017191	A-122	\$1,820
1311017192	A-122	\$1,736
1311017195	A-122	\$1,803
1311017196	A-122	\$1,852
1311731426	A-235	\$803
1312200400	A-235	\$879
1313007404	A-235	\$851
1313017152	A-120	\$1,958
1313017153	A-120	\$1,976
1313017154	A-120	\$1,658
1313017155	A-120	\$1,658
1313017156	A-120	\$1,601
1313017157	A-121	\$1,940
1313017158	A-121	\$1,958
1313017159	A-121	\$1,641
1313017160	A-121	\$1,597
1313017161	A-121	\$1,581
1313171403	A-235	\$837
1321007112	A-120	\$1,591
1321007113	A-120	\$1,483
1321007115	A-120	\$1,439
1321007117	A-121	\$1,465
1321007119	A-120	\$1,615
1321007121	A-121	\$1,421
1321007124	A-121	\$1,595

Catalog Number	Page	List Price
1321007125	A-121	\$1,572
1321007139	A-120	\$1,696
1321007140	A-121	\$1,676
1321007142	A-125	\$599
1321007143	A-125	\$605
1321007144	A-125	\$510
1321007145	A-125	\$516
1321007146	A-125	\$566
1321007147	A-125	\$553
1321007148	A-125	\$642
1321007149	A-125	\$628
1321007158	A-121	\$1,891
1321007159	A-120	\$1,550
1323007110	A-120	\$1,460
1323007112	A-120	\$1,416
1323007113	A-121	\$1,398
1323007114	A-121	\$1,443
.12180S1B48CH-S	A-19,A-134	\$222
.12180S1B48-S	A-17,A-132,A-149	\$201
.16180S1ASPRB48Z-S	A-18,A-133,A-150	\$260
.16180S1ASPRB048Z-S	A-18,A-133,A-150	\$272
.16180S1B48CH-S	A-19,A-134	\$231
.16180S1B48-S	A-17,A-132,A-149	\$208
.16360S1B48CH-S	A-19,A-134	\$237
.16360S1B48-S	A-17,A-132,A-149	\$216
.1809EP3EAL80-W22	A-67,A-218	\$540
.1809EP3WAL80-W22	A-67,A-218	\$540
.1812EP3EAL71-W22	A-67,A-218	\$338
.1818EP3EAL63-W22	A-67,A-218	\$267
.1836EP3EAL63-W22	A-67,A-218	\$280
.2509EP3EAL80-W22	A-67,A-218	\$583
.2509EP3WAL80-W22	A-67,A-218	\$583
.2512EP3EAL71-W22	A-67,A-218	\$363
.25120T3E56C-S	A-50,A-140	\$316
.25120T3E56-S	A-44,A-139	\$288
.2518EP3EAL71-W22	A-67,A-218	\$282
.2518ES1BW56C-S	A-15,A-130	\$288
.2518ES1BW56-S	A-13,A-129,A-148	\$267
.2518ES3E56C-S	A-36,A-137	\$270
.2518ES3E56-S	A-26,A-136	\$249
.2518ES3H56C-S	A-36,A-137	\$270
.25180S1ASPRB48Z-S	A-18,A-133,A-150	\$262
.25180S1ASPRB048Z-S	A-18,A-133,A-150	\$274
.25180S1BRBFBOW56-S	A-150	\$283
.25180S1BRBFBW56-S	A-150	\$271
.25180S1BSPRB048Z-S	A-18,A-133,A-150	\$274
.25180T1B48CH-S	A-19,A-134	\$269
.25180T1B48-S	A-17,A-132,A-149	\$241
.25180T1BW56CFL-S	A-135	\$269
.25180T1BW56C-S	A-19,A-134	\$269
.25180T1BW56-S	A-17,A-132,A-149	\$241
.25180T3E48-S	A-44,A-139	\$235
.25180T3E56CFL-S	A-54,A-141	\$263
.25180T3E56C-S	A-50,A-140	\$263
.25180T3E56-S	A-44,A-139	\$235
.25180T3H56CFL-S	A-54,A-141	\$263
.2536EP3EAL63-W22	A-67,A-218	\$286

Catalog Number	Page	List Price
.2536ES1BW56C-S	A-15,A-130	\$280
.2536ES1BW56-S	A-13,A-129,A-148	\$257
.2536ES3E56C-S	A-36,A-137	\$258
.2536ES3E56-S	A-26,A-136	\$237
.25360T1B48CH-S	A-19,A-134	\$277
.25360T1B48-S	A-17,A-132,A-149	\$253
.25360T1BW56C-S	A-19,A-134	\$281
.25360T1BW56-S	A-17,A-132,A-149	\$253
.25360T3E56C-S	A-50,A-140	\$259
.25360T3E56-S	A-44,A-139	\$231
.33120T3E56C-S	A-50,A-140	\$361
.33120T3E56-S	A-44,A-139	\$333
.3318EP3ESS56C	A-123	\$550
.3318EP3ESS56CFL	A-124	\$550
.3318ES1BPFC48	A-148,A-232	\$311
.3318ES1BRBPFC48	A-148,A-232	\$325
.3318ES1BW56CFL-S	A-16,A-130	\$304
.3318ES1BW56C-S	A-15,A-130	\$304
.3318ES1BW56-S	A-13,A-129,A-148	\$283
.3318ES1RAD56NZ	A-232	\$423
.3318ES1RFDW56-S	A-13,A-16,A-129,A-131,A-231	\$284
.3318ES3E56CFL-S	A-40,A-138	\$274
.3318ES3E56C-S	A-36,A-137	\$274
.3318ES3E56-S	A-26,A-136	\$253
.33180S1AEC56	A-151	\$156
.33180S1BRBFBOW56-S	A-150	\$293
.33180S1BRBFBW56-S	A-150	\$281
.33180S1BSPRB48Z-S	A-18,A-133,A-150	\$272
.33180S1BSPRB048Z-S	A-18,A-133,A-150	\$284
.33180S1BSPRBOW56-S	A-18,A-133,A-150	\$288
.33180S1BSPRBW56-S	A-18,A-133,A-150	\$276
.33180T1B48CH-S	A-19,A-134	\$299
.33180T1B48-S	A-17,A-132,A-149	\$275
.33180T1BRBOW56-S	A-18,A-133,A-150	\$325
.33180T1BW56CFL-S	A-20,A-135	\$303
.33180T1BW56C-S	A-19,A-134	\$303
.33180T1BW56-S	A-17,A-132,A-149	\$275
.33180T3E56CFL-S	A-54,A-141	\$284
.33180T3E56C-S	A-50,A-140	\$284
.33180T3E56-S	A-44,A-139	\$256
.33180T3ERB56-S	A-54,A-141,A-151	\$314
.33180T3H56CFL-S	A-54,A-141	\$284
.33180T3H56-S	A-44,A-139	\$269
.3318XS1B56	A-104,A-144	\$670
.3318XS1B56C	A-104,A-144	\$816
.3318XS3E56	A-106,A-145	\$713
.3318XS3E56C	A-110,A-145	\$877
.3336ES1BJPRW56C-S	A-172	\$282
.3336ES1BJPRW56J-S	A-172	\$296
.3336ES1BJPW56C-S	A-172	\$263
.3336ES1BJPW56J-S	A-172	\$282
.3336ES1BW56CFL-S	A-16,A-130	\$288
.3336ES1BW56C-S	A-15,A-130	\$288
.3336ES1BW56-S	A-13,A-129,A-148	\$267
.3336ES3E56CFL-S	A-40,A-138	\$270
.3336ES3E56C-S	A-36,A-137	\$270
.3336ES3E56-S	A-26,A-136	\$249

Catalog Number	Page	List Price
.3336ES3EJP56J-S	A-174	\$259
.3336ES3EJPR56C-S	A-174	\$257
.3336ES3EJPR56J-S	A-174	\$268
.3336ES3H56CFL-S	A-40,A-138	\$270
.3336ES3H56C-S	A-36,A-137	\$270
.33360S1BJPRW56C-S	A-173	\$237
.33360S1BJPRW56J-S	A-173	\$255
.33360S1BJPW56J-S	A-173	\$254
.33360S3EJP56J-S	A-175	\$224
.33360S3EJPR56C-S	A-175	\$220
.33360S3EJPR56J-S	A-175	\$229
.33360T1B48CH-S	A-19,A-134	\$282
.33360T1B48-S	A-17,A-132,A-149	\$256
.33360T1BOW56CFL-S	A-20,A-135	\$302
.33360T1BW56CFL-S	A-20,A-135	\$285
.33360T1BW56C-S	A-19,A-134	\$285
.33360T1BW56-S	A-132,A-149	\$257
.33360T3E56CFL-S	A-54,A-141	\$270
.33360T3E56C-S	A-50,A-140	\$270
.33360T3E56-S	A-44,A-139	\$242
.3336XS1B56	A-104,A-144	\$612
.3336XS1B56C	A-104,A-144	\$737
.3336XS3E56	A-106,A-145	\$650
.3336XS3E56C	A-110,A-145	\$821
.33820S1AEC56	A-151	\$188
.3709EP3EAL90S-W22	A-67,A-218	\$662
.3709EP3WAL90S/L-W22	A-67,A-218	\$662
.3712EP3EAL80-W22	A-67,A-218	\$378
.3718EP3EAL71-W22	A-67,A-218	\$290
.3736EP3EAL71-W22	A-67,A-218	\$309
.5012EP3ESS56C	A-123	\$682
.5012EP3ESS56CFL	A-124	\$682
.5012ES1B56CFL-S	A-16,A-130	\$535
.5012ES1B56C-S	A-15,A-130	\$535
.5012ES1B56-S	A-13,A-129,A-148	\$512
.5012ES3E56CFL-S	A-138	\$440
.5012ES3E56C-S	A-36,A-137	\$440
.5012ES3E56-S	A-26,A-136	\$417
.5012ES3H56CFL-S	A-138	\$441
.50120T3E56C-S	A-50,A-140	\$377
.50120T3E56-S	A-44,A-139	\$349
.5018EP3ESS56C	A-123	\$575
.5018EP3ESS56CFL	A-124	\$575
.5018ES1BOW56C-S	A-15,A-130	\$348
.5018ES1BPFC56	A-148,A-232	\$336
.5018ES1BRBPFC56	A-148,A-232	\$350
.5018ES1BW56CFL-S	A-16,A-130	\$333
.5018ES1BW56C-S	A-15,A-130	\$333
.5018ES1BW56-S	A-13,A-129,A-148	\$312
.5018ES1RAD56NZ	A-232	\$475
.5018ES1RFDW56-S	A-13,A-16,A-129,A-131,A-231	\$308
.5018ES3E56CFL-S	A-40,A-138	\$311
.5018ES3E56C-S	A-36,A-137	\$311
.5018ES3E56-S	A-26,A-136	\$287
.5018ES3H56CFL-S	A-40,A-138	\$281
.5018ES3H56C-S	A-36,A-137	\$263
.5018ES3H56-S	A-26,A-136	\$288

Catalog Number	Page	List Price
.50180S1AEC56	A-151	\$164
.50180S1BRBFBOW56-S	A-150	\$325
.50180S1BRBFBW56-S	A-150	\$313
.50180S1BSPRB48Z-S	A-18,A-133,A-150	\$299
.50180S1BSPRB048Z-S	A-18,A-133,A-150	\$311
.50180S1BSPRBOW56-S	A-18,A-133,A-150	\$316
.50180S1BSPRBW56-S	A-18,A-133,A-150	\$304
.50180S1DEC56	A-151	\$166
.50180T1B48-S	A-17,A-132,A-149	\$318
.50180T1BOW56C-S	A-19,A-134	\$352
.50180T1BRBOW56-S	A-18,A-133,A-150	\$368
.50180T1BW56CFL-S	A-20,A-135	\$335
.50180T1BW56C-S	A-19,A-134	\$335
.50180T1BW56-S	A-17,A-132,A-149	\$307
.50180T3E56CFL-S	A-54,A-141	\$324
.50180T3E56C-S	A-50,A-140	\$324
.50180T3E56-S	A-44,A-139	\$296
.50180T3ERB56-S	A-54,A-141,A-151	\$354
.50180T3H56CFL-S	A-54,A-141	\$324
.50180T3H56-S	A-44,A-139	\$311
.5018XS1B56	A-104,A-144	\$739
.5018XS1B56C	A-104,A-144	\$817
.5018XS3E56	A-106,A-145	\$741
.5018XS3E56C	A-110,A-145	\$926
.5036EP3ESS56C	A-123	\$569
.5036EP3ESS56CFL	A-124	\$569
.5036ES1BJPRW56C-S	A-172	\$299
.5036ES1BJPRW56J-S	A-172	\$305
.5036ES1BJPW56C-S	A-172	\$284
.5036ES1BJPW56J-S	A-172	\$300
.5036ES1BOLW56-S	A-13,A-16,A-129,A-131,A-148	\$316
.5036ES1BW56CFL-S	A-16,A-130	\$313
.5036ES1BW56C-S	A-15,A-130	\$313
.5036ES1BW56-S	A-13,A-129,A-148	\$284
.5036ES1E143JM	A-179	\$668
.5036ES1E143JP	A-180	\$668
.5036ES3E56CFL-S	A-138	\$282
.5036ES3E56C-S	A-137	\$282
.5036ES3E56-S	A-26,A-136	\$258
.5036ES3EJP56J-S	A-174	\$267
.5036ES3EJPR56C-S	A-174	\$270
.5036ES3EJPR56J-S	A-174	\$282
.5036ES3H56C-S	A-36,A-137	\$281
.5036OS1BCDW56-S	A-17,A-20,A-132,A-135,A-242	\$224
.5036OS1BJPRW56C-S	A-173	\$255
.5036OS1BJPRW56J-S	A-173	\$258
.5036OS1BJPW56J-S	A-173	\$258
.5036OS3EJP56J-S	A-175	\$236
.5036OS3EJPR56C-S	A-175	\$224
.5036OS3EJPR56J-S	A-175	\$241
.5036OS3HJP56J-S	A-175	\$236
.50360T1B48CH-S	A-19,A-134	\$300
.50360T1B48-S	A-17,A-132,A-149	\$276
.50360T1BOW56CFL-S	A-20,A-135	\$327
.50360T1BW56CFL-S	A-20,A-135	\$310
.50360T1BW56C-S	A-19,A-134	\$310
.50360T1BW56-S	A-17,A-132,A-149	\$282
.50360T3E56CFL-S	A-54,A-141	\$286

Catalog Number	Page	List Price
.50360T3E56C-S	A-50,A-140	\$286
.50360T3E56-S	A-44,A-139	\$258
.5036XS1B56	A-104,A-144	\$636
.5036XS1B56C	A-104,A-144	\$717
.5036XS3E56	A-106,A-145	\$782
.5036XS3E56C	A-110,A-145	\$856
.50820S1AEC56	A-151	\$199
.50820S1DEC56	A-151	\$220
.5509EP3EAL90L-W22	A-67,A-218	\$696
.5509EP3WAL90S/L-W22	A-67,A-218	\$696
.5512EP3EAL80-W22	A-67,A-218	\$405
.5518EP3EAL80-W22	A-67,A-218	\$333
.5536EP3EAL71-W22	A-67,A-218	\$316
.7509ET3EAL100L-W22	A-67,A-218	\$869
.7512EP3ESS56C	A-123	\$723
.7512EP3ESS56CFL	A-124	\$723
.7512ES1B56CFL-S	A-16,A-130	\$669
.7512ES1B56C-S	A-15,A-130	\$669
.7512ES1B56-S	A-13,A-129,A-148	\$648
.7512ES3E56CFL-S	A-40,A-138	\$449
.7512ES3E56C-S	A-36,A-137	\$449
.7512ES3E56-S	A-26,A-136	\$427
.7512ES3H56CFL-S	A-40,A-138	\$448
.7512ET3EAL90S-W22	A-67,A-218	\$537
.7512ET3WAL90S-W22	A-67,A-218	\$537
.75120T3E56C-S	A-50,A-140	\$412
.75120T3E56-S	A-44,A-139	\$384
.7518EP3ESS56C	A-123	\$616
.7518EP3ESS56CFL	A-124	\$616
.7518ES1B56CFL-S	A-16,A-130	\$370
.7518ES1B56C-S	A-15,A-130	\$370
.7518ES1B56-S	A-13,A-129,A-148	\$348
.7518ES1BPF56	A-148,A-232	\$414
.7518ES1BRBPF56	A-148,A-232	\$433
.7518ES1RAD56NZ	A-232	\$553
.7518ES1RFD56-S	A-13,A-16,A-129,A-131,A-231	\$357
.7518ES3E56CFL-S	A-40,A-138	\$332
.7518ES3E56C-S	A-36,A-137	\$332
.7518ES3E56-S	A-26,A-136	\$311
.7518ES3H56CFL-S	A-40,A-138	\$333
.7518ES3H56C-S	A-36,A-137	\$333
.7518ET3EAL90S/L-W22	A-67,A-218	\$420
.7518ET3WAL90S/L-W22	A-67,A-218	\$420
.75180S1AEC56	A-151	\$201
.75180S1BRBFBOW56-S	A-150	\$379
.75180S1BRBFBW56-S	A-150	\$367
.75180S1DEC56	A-151	\$197
.75180T1B56CFL-S	A-20,A-135	\$415
.75180T1B56C-S	A-19,A-134	\$415
.75180T1B56-S	A-17,A-132,A-149	\$387
.75180T1BRB056-S	A-18,A-133,A-150	\$434
.75180T3E56CFL-S	A-54,A-141	\$358
.75180T3E56C-S	A-50,A-140	\$358
.75180T3E56-S	A-44,A-139	\$330
.75180T3ERB56-S	A-54,A-141,A-151	\$388
.75180T3H56CFL-S	A-54,A-141	\$358
.75180T3H56C-S	A-50,A-140	\$358
.75180T3H56-S	A-44,A-139	\$347

Catalog Number	Page	List Price
.7518XS1B56	A-104,A-144	\$868
.7518XS1B56C	A-104,A-144	\$912
.7518XS3E56	A-106,A-145	\$817
.7518XS3E56C	A-110,A-145	\$944
.7536AS1RAF56Z-S	A-233	\$395
.7536AS3EAF56Z-S	A-233	\$402
.7536EP3ESS56C	A-123	\$590
.7536EP3ESS56CFL	A-124	\$590
.7536ES1B56CFL-S	A-16,A-130	\$353
.7536ES1B56C-S	A-15,A-130	\$353
.7536ES1B56-S	A-13,A-129,A-148	\$297
.7536ES1BJP56C-S	A-172	\$320
.7536ES1BJP56J-S	A-172	\$330
.7536ES1BJPR56C-S	A-172	\$341
.7536ES1BJPR56J-S	A-172	\$336
.7536ES1BOL56-S	A-13,A-16,A-129,A-131,A-148	\$329
.7536ES3E56CFL-S	A-40,A-138	\$311
.7536ES3E56C-S	A-36,A-137	\$311
.7536ES3E56-S	A-26,A-136	\$287
.7536ES3EJP56J-S	A-174	\$301
.7536ES3EJPR56C-S	A-174	\$293
.7536ES3EJPR56J-S	A-174	\$319
.7536ES3H56CFL-S	A-40,A-138	\$310
.7536ES3H56C-S	A-36,A-137	\$310
.7536ES3H56-S	A-26,A-136	\$288
.7536ES3HJP56J-S	A-174	\$301
.7536ET3WAL80-W22	A-67,A-218	\$397
.7536OS1BCDW56-S	A-17,A-20,A-132,A-135,A-242	\$237
.7536OS1BJPRW56C-S	A-173	\$297
.7536OS1BJPRW56J-S	A-173	\$296
.7536OS1BJPW56J-S	A-173	\$296
.7536OS3EJP56J-S	A-175	\$271
.7536OS3EJPR56C-S	A-175	\$257
.7536OS3EJPR56J-S	A-175	\$278
.7536OS3HJP56J-S	A-175	\$271
.7536OS3HJPR56C-S	A-175	\$257
.7536OS3HJPR56J-S	A-175	\$277
.7536OT1B56CFL-S	A-20,A-135	\$348
.7536OT1B56C-S	A-19,A-134	\$348
.7536OT1B56-S	A-17,A-132,A-149	\$320
.7536OT1B056CFL-S	A-20,A-135	\$365
.7536OT3E56CFL-S	A-54,A-141	\$333
.7536OT3E56C-S	A-50,A-140	\$333
.7536OT3E56-S	A-44,A-139	\$305
.7536XS1B56	A-104,A-144	\$717
.7536XS1B56C	A-104,A-144	\$773
.7536XS3E56	A-106,A-145	\$815
.7536XS3E56C	A-110,A-145	\$884
.7582OS1AEC56	A-151	\$251
.7582OS1DEC56	A-151	\$267
00109ET3E182T-W22	A-26,A-77	\$1,043
00109ET3EBM182T-W22	A-63,A-246	\$2,594
00109ET3H182T-W22	A-26,A-77	\$1,043
00109ST3QIE182T-W22	A-56,A-88	\$2,006
00109XT3E182T	A-106	\$1,974
00112ET3E145JM-S	A-182	\$700
00112ET3E145JM-W22	A-182	\$700
00112ET3E145JP-S	A-186	\$714

Catalog Number	Page	List Price
00112ET3E145JP-W22	A-186	\$714
00112ET3E145TC-S	A-36	\$554
00112ET3E145TC-W22	A-36,A-84	\$636
00112ET3E145T-S	A-26	\$529
00112ET3E145T-SG	A-152	\$669
00112ET3E145T-W22	A-26,A-77	\$608
00112ET3E56CFL-S	A-40,A-138	\$528
00112ET3E56C-S	A-36,A-137	\$525
00112ET3E56-S	A-26,A-136	\$497
00112ET3EAL100L-W22	A-67,A-218	\$746
00112ET3EBM145T-W22	A-63,A-246	\$1,587
00112ET3ECT145TF1-W2	A-160	\$728
00112ET3ECT145T-W22	A-160	\$728
00112ET3ER145TC-S	A-40	\$554
00112ET3ER145TC-W22	A-40,A-86	\$655
00112ET3H145T-S	A-26	\$529
00112ET3H145T-SG	A-152	\$669
00112ET3H145T-W22	A-26,A-77	\$608
00112ET3H56CFL-S	A-40,A-138	\$528
00112ET3PCT145TF1-W2	A-160	\$728
00112ET3PCT145T-W22	A-160	\$728
001120T3E145JM-S	A-191	\$550
001120T3E145JMV-S	A-194	\$605
001120T3E145JP-S	A-195	\$550
001120T3E145T-S	A-44	\$446
001120T3E145T-SG	A-156	\$586
001120T3E56C-S	A-50,A-140	\$486
001120T3E56-S	A-44,A-139	\$458
001120T3H145T-S	A-44	\$446
001120T3H145T-SG	A-156	\$586
00112ST3HIE145T-W22	A-56,A-88	\$1,062
00112ST3QIE145TC-W22	A-60,A-92	\$1,112
00112ST3QIE145T-W22	A-56,A-88	\$1,062
00112XT3E145T	A-106	\$988
00112XT3E145TC	A-110	\$1,107
00112XT3H145T	A-106	\$988
00118AT3PCT143T-W22	A-163	\$666
00118EG3E143T-W22	A-71	\$580
00118ES1B56CFL-S	A-16,A-130	\$424
00118ES1B56C-S	A-15,A-130	\$424
00118ES1B56-S	A-13,A-129,A-148	\$401
00118ES1B056C-S	A-15,A-130	\$439
00118ES1BPPFD56	A-148,A-232	\$449
00118ES1BRBPPFD56	A-148,A-232	\$469
00118ES1E143JM	A-179	\$687
00118ES1E143JP	A-180	\$687
00118ES1E143T-S	A-13	\$531
00118ES1ER143TC-S	A-16	\$559
00118ES1RAD56N	A-232	\$683
00118ES1RFD143T-S	A-13,A-16,A-231	\$400
00118ES1RFD56-S	A-13,A-16,A-129,A-131,A-231	\$394
00118ET3E143HP-W22	A-213	\$619
00118ET3E143JM-S	A-182	\$613
00118ET3E143JM-SG	A-200	\$764
00118ET3E143JM-W22	A-182	\$613
00118ET3E143JP-S	A-186	\$624
00118ET3E143JP-SG	A-201	\$764
00118ET3E143JP-W22	A-186	\$624

Catalog Number	Page	List Price
00118ET3E143TC-S	A-36	\$484
00118ET3E143TC-W22	A-36,A-84	\$555
00118ET3E143T-S	A-26	\$459
00118ET3E143T-SG	A-152	\$599
00118ET3E143T-W22	A-26,A-77	\$527
00118ET3E56CFL-S	A-40,A-138	\$407
00118ET3E56C-S	A-36,A-137	\$407
00118ET3E56-S	A-26,A-136	\$379
00118ET3EAL90S-W22	A-67,A-218	\$470
00118ET3EBM143T-W22	A-63,A-246	\$1,494
00118ET3EBMQ143TC-W2	A-64,A-247	\$1,682
00118ET3EBMQ143T-W22	A-63,A-246	\$1,654
00118ET3ECT143TF1-W2	A-160	\$647
00118ET3ECT143T-W22	A-160	\$647
00118ET3EPM143/5Y-W2	A-169	\$594
00118ET3ER143TC-S	A-40	\$484
00118ET3ER143TC-W22	A-40,A-86	\$572
00118ET3ESS143TC	A-123	\$857
00118ET3ESS143TCFL	A-124	\$857
00118ET3ESS56C	A-123	\$723
00118ET3ESS56CFL	A-124	\$723
00118ET3H143JM-S	A-182	\$613
00118ET3H143JM-SG	A-200	\$764
00118ET3H143JM-W22	A-182	\$613
00118ET3H143TC-S	A-36	\$484
00118ET3H143TC-W22	A-36,A-84	\$555
00118ET3H143T-S	A-26	\$459
00118ET3H143T-SG	A-152	\$599
00118ET3H143T-W22	A-26,A-77	\$527
00118ET3H56CFL-S	A-40,A-138	\$407
00118ET3H56C-S	A-36,A-137	\$407
00118ET3H56-S	A-26,A-136	\$379
00118ET3HBM143T-W22	A-63,A-246	\$1,494
00118ET3PCT143T-W22	A-160	\$647
00118ET3V143JM-S	A-182	\$613
00118ET3V143T-SG	A-152	\$599
00118ET3WAL90S-W22	A-67,A-218	\$470
00118NT3ESS143TC	A-123	\$889
00118NT3ESS143TCFL	A-124	\$889
00118NT3ESS56C	A-123	\$735
00118NT3ESS56CFL	A-124	\$735
00118NT3FVD143TC-W22	A-237	\$697
001180S1BRBFBOW56-S	A-150	\$408
001180S1BRBFBW56-S	A-150	\$396
001180T1B56CFL-S	A-20,A-135	\$449
001180T1B56C-S	A-19,A-134	\$449
001180T1B56-S	A-17,A-132,A-149	\$421
001180T1B056-S	A-17,A-20,A-132,A-135,A-149	\$438
001180T1BRB056-S	A-18,A-133,A-150	\$468
001180T3E143JM-S	A-191	\$486
001180T3E143JM-SG	A-202	\$626
001180T3E143JMV-S	A-194	\$541
001180T3E143JP-S	A-195	\$486
001180T3E143JP-SG	A-203	\$626
001180T3E143TC-S	A-50	\$424
001180T3E143TC-SG	A-156	\$564
001180T3E143T-S	A-44,A-243	\$390
001180T3E143T-SG	A-156	\$530

Catalog Number	Page	List Price
001180T3E56CFL-S	A-54,A-141	\$378
001180T3E56C-S	A-50,A-140	\$378
001180T3E56-S	A-44,A-139	\$350
001180T3ECD143T-S	A-243	\$398
001180T3ERB56-S	A-54,A-141,A-151	\$408
001180T3H143JM-S	A-191	\$486
001180T3H143JM-SG	A-202	\$626
001180T3H143TC-S	A-50	\$424
001180T3H143T-S	A-44	\$390
001180T3H143T-SG	A-156	\$530
001180T3H56CFL-S	A-54,A-141	\$378
001180T3P143TC-S	A-50	\$424
001180T3P143T-S	A-44,A-243	\$390
001180T3V143JM-S	A-191	\$486
001180T3V143T-SG	A-156	\$530
00118ST3HIE143T-W22	A-56,A-88	\$922
00118ST3QIE143TC-W22	A-60,A-92	\$972
00118ST3QIE143T-W22	A-56,A-88	\$922
00118ST3QIER143TC-W2	A-61,A-93	\$1,000
00118XS1B56	A-104,A-144	\$988
00118XS1B56C	A-104,A-144	\$1,036
00118XT3E143T	A-106	\$901
00118XT3E143TC	A-110	\$1,054
00118XT3E56	A-106,A-145	\$922
00118XT3E56C	A-110,A-145	\$1,007
00118XT3ER143TC	A-111	\$1,072
00118XT3H143T	A-106	\$901
00136AS1RAF56Z-S	A-233	\$459
00136AS3EAF56Z-S	A-233	\$435
00136EG3E143T-W22	A-71	\$569
00136ES1B143T-S	A-13	\$553
00136ES1B56CFL-S	A-16,A-130	\$378
00136ES1B56C-S	A-15,A-130	\$378
00136ES1B56-S	A-13,A-129,A-148	\$376
00136ES1BJP56C-S	A-172	\$344
00136ES1BJP56J-S	A-172	\$374
00136ES1BJPR56C-S	A-172	\$357
00136ES1BJPR56J-S	A-172	\$386
00136ES1BOL56-S	A-13,A-16,A-129,A-131,A-148	\$408
00136ES1E143JM	A-179	\$682
00136ET3E143TC-W22	A-36,A-84	\$566
00136ET3E143T-S	A-26	\$420
00136ET3E143T-SG	A-152	\$560
00136ET3E143T-W22	A-26,A-77	\$538
00136ET3EAL80-W22	A-67,A-218	\$444
00136ET3EJPRW56C-S	A-174	\$425
00136ET3EJPRW56J-S	A-174	\$429
00136ET3EJPW56J-S	A-174	\$434
00136ET3EPM143/5Y-W2	A-169	\$565
00136ET3ER143TC-W22	A-40,A-86	\$577
00136ET3ESS56C	A-123	\$701
00136ET3ESS56CFL	A-124	\$701
00136ET3EW56CFL-S	A-40,A-138	\$420
00136ET3EW56C-S	A-36,A-137	\$420
00136ET3EW56-S	A-26,A-136	\$392
00136ET3H143T-S	A-26	\$420
00136ET3H143T-SG	A-152	\$560
00136ET3H143T-W22	A-26,A-77	\$538

Catalog Number	Page	List Price
00136ET3HJPW56J-S	A-174	\$434
00136ET3HW56C-S	A-36,A-137	\$420
00136ET3HW56-S	A-26,A-136	\$392
00136ET3WAL80-W22	A-67,A-218	\$444
00136NT3ESS56C	A-123	\$713
00136NT3ESS56CFL	A-124	\$713
001360S1BCD56-S	A-17,A-20,A-132,A-135,A-242	\$278
001360S1BJP56J-S	A-173	\$334
001360S1BJPR56C-S	A-173	\$317
001360S1BJPR56J-S	A-173	\$334
001360S3EJP56J-S	A-175	\$286
001360S3EJPR56C-S	A-175	\$274
001360S3EJPR56J-S	A-175	\$287
001360S3HJP56J-S	A-175	\$286
001360T1B56CFL-S	A-20,A-135	\$375
001360T1B56C-S	A-19,A-134	\$375
001360T1B56-S	A-17,A-132,A-149	\$347
001360T1B056CFL-S	A-20,A-135	\$392
001360T3E143T-S	A-44	\$385
001360T3E56CFL-S	A-54,A-141	\$383
001360T3E56C-S	A-50,A-140	\$383
001360T3E56-S	A-44,A-139	\$355
00136XS1B56	A-104,A-144	\$774
00136XS1B56C	A-104,A-144	\$814
00136XT3E143T	A-106	\$886
00136XT3E56	A-106,A-145	\$858
00136XT3E56C	A-110,A-145	\$924
00152ES1E182T	A-13	\$1,100
00152ET3E182JM-S	A-182	\$909
00152ET3E182JM-W22	A-182	\$909
00152ET3E182JP-S	A-186	\$924
00152ET3E182JP-W22	A-186	\$924
00152ET3E182TC-S	A-36	\$690
00152ET3E182TC-W22	A-36,A-84	\$792
00152ET3E182T-S	A-27	\$656
00152ET3E182T-SG	A-152	\$826
00152ET3E182T-W22	A-27,A-77	\$754
00152ET3EAL112M-W22	A-67,A-218	\$812
00152ET3EBM182T-W22	A-63,A-246	\$2,264
00152ET3ECT182T-W22	A-160	\$903
00152ET3EPM182/4Y-W2	A-169	\$820
00152ET3ER182TC-S	A-40	\$690
00152ET3ER182TC-W22	A-40,A-86	\$816
00152ET3H182T-S	A-27	\$656
00152ET3H182T-SG	A-152	\$826
00152ET3H182T-W22	A-27,A-77	\$754
00152ET3PCT182T-W22	A-160	\$903
00152ET3WAL112M-W22	A-67,A-218	\$812
001520S3EOW184T	A-240	\$777
001520T3E182JM-S	A-191	\$769
001520T3E182JMV-S	A-194	\$827
001520T3E182JP-S	A-195	\$729
001520T3E182T-S	A-44	\$588
001520T3E182T-SG	A-156	\$758
00152ST3HIE182T-W22	A-56,A-88	\$1,286
00152ST3QIE182TC-W22	A-60,A-92	\$1,351
00152ST3QIE182T-W22	A-56,A-88	\$1,286
00152XT3E182T	A-106	\$1,105

Catalog Number	Page	List Price
00152XT3E182TC	A-110	\$1,270
00152XT3H182T	A-106	\$1,105
00156AP3EAF143TZ-S	A-233	\$498
00156AS1RAF143TZ-S	A-233	\$643
00156AS1RAF56Z-S	A-233	\$601
00156EG3E143T-W22	A-71	\$597
00156ES1B143T-S	A-13	\$602
00156ES1B56CFL-S	A-16,A-130	\$454
00156ES1B56C-S	A-15,A-130	\$454
00156ES1B56-S	A-13,A-129,A-148	\$432
00156ES1BJP56C-S	A-172	\$412
00156ES1BJP56J-S	A-172	\$425
00156ES1BJPR56C-S	A-172	\$432
00156ES1BJPR56J-S	A-172	\$438
00156ES1BOL56-S	A-13,A-16,A-129,A-131,A-148	\$463
00156ES1E143JM	A-179	\$729
00156ES1E143JP	A-180	\$729
00156ET3E143HP-W22	A-213	\$573
00156ET3E143JM-S	A-182	\$710
00156ET3E143JM-SG	A-200	\$850
00156ET3E143JM-W22	A-182	\$710
00156ET3E143JP-S	A-186	\$649
00156ET3E143JP-SG	A-201	\$850
00156ET3E143JP-W22	A-186	\$649
00156ET3E143TC-S	A-36	\$497
00156ET3E143TC-W22	A-36,A-84	\$571
00156ET3E143T-S	A-27	\$473
00156ET3E143T-SG	A-152	\$613
00156ET3E143T-W22	A-27,A-77	\$543
00156ET3E56CFL-S	A-40,A-138	\$461
00156ET3E56C-S	A-36,A-137	\$461
00156ET3E56-S	A-27,A-136	\$433
00156ET3EAL90S-W22	A-67,A-218	\$504
00156ET3EBM143T-W22	A-63,A-246	\$1,501
00156ET3EJP56J-S	A-174	\$473
00156ET3EJPR56C-S	A-174	\$455
00156ET3EJPR56J-S	A-174	\$468
00156ET3EPM143/5Y-W2	A-169	\$613
00156ET3ER143TC-S	A-40	\$497
00156ET3ER143TC-W22	A-40,A-86	\$588
00156ET3ESS143TCFL	A-124	\$858
00156ET3ESS56C	A-123	\$825
00156ET3ESS56CFL	A-124	\$825
00156ET3H143JM-SG	A-200	\$850
00156ET3H143TC-W22	A-36,A-84	\$571
00156ET3H143T-S	A-27	\$473
00156ET3H143T-SG	A-152	\$613
00156ET3H143T-W22	A-27,A-77	\$543
00156ET3H56C-S	A-36,A-137	\$461
00156ET3HJP56J-S	A-174	\$473
00156ET3HJPR56J-S	A-174	\$468
00156ET3WAL90S-W22	A-67,A-218	\$504
001560S1BCD56-S	A-17,A-20,A-132,A-135,A-242	\$311
001560S1BJP56J-S	A-173	\$382
001560S1BJPR56C-S	A-173	\$338
001560S1BJPR56J-S	A-173	\$382
001560S3EJP56J-S	A-175	\$296
001560S3EJPR56C-S	A-175	\$290

Catalog Number	Page	List Price
001560S3EJPR56J-S	A-175	\$305
001560S3HJP56J-S	A-175	\$296
001560S3HJPR56C-S	A-175	\$290
001560T1B56CFL-S	A-20,A-135	\$421
001560T1B56C-S	A-19,A-134	\$421
001560T1B56-S	A-17,A-132,A-149	\$393
001560T1B056CFL-S	A-20,A-135	\$438
001560T1BRB056-S	A-18,A-133,A-150	\$450
001560T3E143JM-S	A-191	\$534
001560T3E143JM-SG	A-202	\$674
001560T3E143JMV-S	A-194	\$589
001560T3E143JP-S	A-195	\$534
001560T3E143JP-SG	A-203	\$674
001560T3E143JPV-S	A-198	\$589
001560T3E143TC-S	A-50	\$476
001560T3E143T-S	A-44,A-243	\$442
001560T3E143T-SG	A-156	\$582
001560T3E56CFL-S	A-54,A-141	\$408
001560T3E56C-S	A-50,A-140	\$408
001560T3E56-S	A-44,A-139	\$380
001560T3H143JM-SG	A-202	\$674
001560T3H143TC-S	A-50	\$476
001560T3H143T-S	A-44	\$442
001560T3V143JM-S	A-191	\$534
001560T3V143JP-S	A-195	\$534
00156ST3HIE143T-W22	A-56,A-88	\$981
00156ST3QIE143TC-W22	A-60,A-92	\$1,031
00156ST3QIE143T-W22	A-56,A-88	\$981
00156XS1C56	A-104,A-144	\$1,121
00156XS1C56C	A-104,A-144	\$1,274
00156XT3E143T	A-106	\$916
00156XT3E143TC	A-110	\$1,069
00156XT3E56	A-106,A-145	\$1,050
00156XT3E56C	A-110,A-145	\$1,038
00156XT3H143T	A-106	\$916
00158AT3PCT145T-W22	A-163	\$696
00158EG3EL145T-W22	A-71	\$606
00158ES1B145T-S	A-13	\$612
00158ES1B56CFL-S	A-16,A-130	\$478
00158ES1B56C-S	A-15,A-130	\$478
00158ES1B56-S	A-13,A-129,A-148	\$456
00158ES1B056C-S	A-15,A-130	\$493
00158ES1E145JM	A-179	\$754
00158ES1E145JP	A-180	\$754
00158ES1E145T-S	A-13	\$611
00158ES1RAD56N	A-232	\$1,014
00158ES1RFD145T-S	A-13,A-16,A-231	\$504
00158ES1RFD56H-S	A-13,A-16,A-129,A-131,A-231	\$502
00158ET3E145HP-W22	A-213	\$663
00158ET3E145JM-S	A-182	\$643
00158ET3E145JM-SG	A-200	\$793
00158ET3E145JM-W22	A-182	\$643
00158ET3E145JP-S	A-186	\$653
00158ET3E145JP-SG	A-201	\$793
00158ET3E145JP-W22	A-186	\$653
00158ET3E145TC-S	A-36	\$504
00158ET3E145TC-W22	A-36,A-84	\$579

Catalog Number	Page	List Price
00158ET3E145T-S	A-27	\$480
00158ET3E145T-SG	A-152	\$620
00158ET3E145T-W22	A-27,A-77	\$551
00158ET3E56CFL-S	A-40,A-138	\$463
00158ET3E56C-S	A-36,A-137	\$463
00158ET3E56-S	A-27,A-136	\$435
00158ET3EAL90L-W22	A-67,A-218	\$524
00158ET3EBM145T-W22	A-63,A-246	\$1,569
00158ET3EBMQ145TC-W2	A-64,A-247	\$1,757
00158ET3EBMQ145T-W22	A-63,A-246	\$1,729
00158ET3ECT145TF1-W2	A-160	\$676
00158ET3ECT145T-W22	A-160	\$676
00158ET3EPM143/5Y-W2	A-169	\$617
00158ET3ER145TC-S	A-40	\$504
00158ET3ER145TC-W22	A-40,A-86	\$596
00158ET3ESB145TCZ1-S	A-249	\$1,489
00158ET3ESS145TC	A-123	\$872
00158ET3ESS145TCFL	A-124	\$872
00158ET3ESS56C	A-123	\$846
00158ET3ESS56CFL	A-124	\$846
00158ET3H145JM-S	A-182	\$643
00158ET3H145JM-SG	A-200	\$793
00158ET3H145JM-W22	A-182	\$643
00158ET3H145TC-S	A-36	\$504
00158ET3H145TC-W22	A-36,A-84	\$579
00158ET3H145T-S	A-27	\$480
00158ET3H145T-SG	A-152	\$620
00158ET3H145T-W22	A-27,A-77	\$551
00158ET3H56C-S	A-36,A-137	\$463
00158ET3PCT145TF1-W2	A-160	\$676
00158ET3PCT145T-W22	A-160	\$676
00158ET3V145JM-S	A-182	\$643
00158ET3V145T-SG	A-152	\$620
00158ET3WAL90L-W22	A-67,A-218	\$524
00158NT3FVD145TC-W22	A-237	\$705
001580T1B56CFL-S	A-20,A-135	\$551
001580T1B56C-S	A-19,A-134	\$551
001580T1B56-S	A-17,A-132,A-149	\$523
001580T1B056-S	A-17,A-20,A-132,A-135,A-149	\$541
001580T1BRB056-S	A-18,A-133,A-150	\$570
001580T3E145JM-S	A-191	\$553
001580T3E145JM-SG	A-202	\$693
001580T3E145JMV-S	A-194	\$608
001580T3E145JP-S	A-195	\$553
001580T3E145JP-SG	A-203	\$693
001580T3E145TC-S	A-50	\$483
001580T3E145TC-SG	A-156	\$623
001580T3E145T-S	A-44,A-243	\$449
001580T3E145T-SG	A-156	\$589
001580T3E56CFL-S	A-54,A-141	\$389
001580T3E56C-S	A-50,A-140	\$389
001580T3E56-S	A-44,A-139	\$361
001580T3ECD145T-S	A-243	\$458
001580T3ERB56-S	A-54,A-141,A-151	\$419
001580T3H145JM-S	A-191	\$553
001580T3H145JM-SG	A-202	\$693
001580T3H145TC-S	A-50	\$483

Catalog Number	Page	List Price
001580T3H145T-S	A-44	\$449
001580T3H145T-SG	A-156	\$589
001580T3H56CFL-S	A-54,A-141	\$389
001580T3P145TC-S	A-50	\$483
001580T3P145T-S	A-44,A-243	\$449
001580T3V145JM-S	A-191	\$553
001580T3V145TC-SG	A-156	\$623
001580T3V145T-SG	A-156	\$589
00158ST3HIE145T-W22	A-56,A-88	\$981
00158ST3QIE145TC-W22	A-60,A-92	\$1,031
00158ST3QIE145T-W22	A-56,A-88	\$981
00158ST3QIER145TC-W2	A-61,A-93	\$1,061
00158XS1C56H	A-104,A-144	\$1,324
00158XS1C56HC	A-104,A-144	\$1,420
00158XT3E145T	A-106	\$963
00158XT3E145TC	A-110	\$1,116
00158XT3E56H	A-106,A-145	\$1,003
00158XT3E56HC	A-110,A-145	\$1,011
00158XT3ER145TC	A-111	\$1,135
00158XT3H145T	A-106	\$963
00158XT3H145TC	A-110	\$1,024
00159ET3E184T-W22	A-27,A-77	\$1,207
00159ET3EBM184T-W22	A-63,A-246	\$2,703
00159ET3H184T-W22	A-27,A-77	\$1,207
00159ET3YAL112M-W22	A-67,A-218	\$1,001
00159ST3QIE184TC-W22	A-60,A-92	\$2,081
00159ST3QIE184T-W22	A-56,A-88	\$2,016
00159XT3E184T	A-106	\$1,901
001820S1AEC56	A-151	\$364
001820S1DEC56	A-151	\$389
00209ET3E213T-W22	A-27,A-77	\$1,848
00209ET3EBM213T-W22	A-63,A-246	\$3,345
00209ET3H213T-W22	A-27,A-77	\$1,848
00209ET3YAL132S-W22	A-67,A-218	\$1,412
00209ST3QIE213TC-W22	A-60,A-92	\$2,781
00209ST3QIE213T-W22	A-56,A-88	\$2,701
00209XT3E213T	A-106	\$2,439
00212AT3ECT184TF1-W2	A-163	\$1,010
00212AT3ECT184T-W22	A-163	\$1,010
00212AT3HCT184TF1-W2	A-163	\$1,010
00212AT3HCT184T-W22	A-163	\$1,010
00212AT3PCT184TF1-W2	A-163	\$1,010
00212AT3PCT184T-W22	A-163	\$1,010
00212ES1E213T	A-14	\$1,209
00212ET3E184JM-S	A-182	\$1,021
00212ET3E184JM-W22	A-182	\$1,021
00212ET3E184JP-S	A-186	\$1,040
00212ET3E184JP-W22	A-186	\$1,040
00212ET3E184TC-S	A-37	\$747
00212ET3E184TC-W22	A-37,A-84	\$857
00212ET3E184T-S	A-27	\$713
00212ET3E184T-SG	A-152	\$883
00212ET3E184T-W22	A-27,A-77	\$819
00212ET3EAL132S-W22	A-67,A-218	\$1,166
00212ET3EBM184T-W22	A-63,A-246	\$2,369
00212ET3ECT184T-W22	A-160	\$981
00212ET3ER184TC-S	A-40	\$747

Catalog Number	Page	List Price
00212ET3ER184TC-W22	A-40,A-86	\$883
00212ET3H184T-S	A-27	\$713
00212ET3H184T-SG	A-152	\$883
00212ET3H184T-W22	A-27,A-77	\$819
00212ET3PCT184T-W22	A-160	\$981
00212ET3YAL132S-W22	A-67,A-218	\$1,166
002120S3EOW184T	A-240	\$793
002120T3E184JM-S	A-191	\$816
002120T3E184JMV-S	A-194	\$874
002120T3E184JP-S	A-195	\$863
002120T3E184TC-S	A-50	\$635
002120T3E184T-S	A-44	\$597
002120T3E184T-SG	A-156	\$767
002120T3H184TC-S	A-50	\$635
002120T3H184T-S	A-44	\$597
00212ST3HIE184T-W22	A-56,A-88	\$1,363
00212ST3QIE184TC-W22	A-60,A-92	\$1,428
00212ST3QIE184T-W22	A-56,A-88	\$1,363
00212XT3E184T	A-106	\$1,158
00212XT3E184TC	A-110	\$1,323
00212XT3H184T	A-106	\$1,158
00218AT3ECT145TF1-W2	A-163	\$775
00218AT3ECT145T-W22	A-163	\$775
00218AT3PCT145T-W22	A-163	\$775
00218EG3EL145T-W22	A-71	\$673
00218ES1B145TC-S	A-15	\$643
00218ES1B145T-S	A-14	\$615
00218ES1E145JM	A-179	\$814
00218ES1E145JP	A-180	\$814
00218ES1E145T-S	A-14	\$615
00218ES1RFD145T-S	A-14,A-16,A-231	\$578
00218ES1RFD182T	A-14,A-16,A-231	\$790
00218ES1RFD56H-S	A-14,A-16,A-129,A-131,A-231	\$529
00218ET3E145HP-W22	A-213	\$730
00218ET3E145JM-S	A-182	\$707
00218ET3E145JM-SG	A-200	\$858
00218ET3E145JM-W22	A-182	\$707
00218ET3E145JP-S	A-186	\$718
00218ET3E145JP-SG	A-201	\$858
00218ET3E145JP-W22	A-186	\$718
00218ET3E145TC-W22	A-37,A-84	\$640
00218ET3E145T-S	A-27	\$533
00218ET3E145T-SG	A-152	\$673
00218ET3E145T-W22	A-27,A-77	\$612
00218ET3E56CFL-S	A-40,A-138	\$506
00218ET3E56C-S	A-37,A-137	\$506
00218ET3E56-S	A-27,A-136	\$478
00218ET3EAL100L-W22	A-67,A-218	\$630
00218ET3EBM145T-W22	A-63,A-246	\$1,594
00218ET3EBMQ145TC-W2	A-64,A-247	\$1,782
00218ET3EBMQ145T-W22	A-63,A-246	\$1,754
00218ET3ECT145TF1-W2	A-160	\$752
00218ET3ECT145T-W22	A-160	\$752
00218ET3EPM143/5Y-W2	A-169	\$685
00218ET3ER145TC-S	A-40	\$558
00218ET3ER145TC-W22	A-40,A-86	\$659
00218ET3ESB145TCZ1-S	A-249	\$1,612

Catalog Number	Page	List Price
00218ET3ESB145TCZ2-S	A-249	\$1,612
00218ET3ESS145TC	A-123	\$1,219
00218ET3ESS145TCFL	A-124	\$1,219
00218ET3ESS56C	A-123	\$1,001
00218ET3ESS56CFL	A-124	\$1,001
00218ET3H145JM-S	A-182	\$707
00218ET3H145JM-SG	A-200	\$858
00218ET3H145JM-W22	A-182	\$707
00218ET3H145TC-S	A-37	\$558
00218ET3H145TC-W22	A-37,A-84	\$640
00218ET3H145T-S	A-27	\$533
00218ET3H145T-SG	A-152	\$673
00218ET3H145T-W22	A-27,A-77	\$612
00218ET3HCT145T-W22	A-160	\$752
00218ET3PCT145TF1-W2	A-160	\$752
00218ET3PCT145T-W22	A-160	\$752
00218ET3V145JM-S	A-182	\$707
00218ET3V145T-SG	A-152	\$673
00218ET3WAL100L-W22	A-67,A-218	\$630
00218NT3FVD145TC-W22	A-237	\$928
00218OT1B56CFL-S	A-20,A-135	\$654
00218OT1B56C-S	A-19,A-134	\$654
00218OT1B56-S	A-17,A-132,A-149	\$626
00218OT1BRB056H-S	A-18,A-133,A-150	\$616
00218OT3E145JM-S	A-191	\$607
00218OT3E145JM-SG	A-202	\$747
00218OT3E145JMV-S	A-194	\$662
00218OT3E145JP-S	A-195	\$607
00218OT3E145JP-SG	A-203	\$747
00218OT3E145TC-S	A-50	\$526
00218OT3E145TC-SG	A-156	\$666
00218OT3E145T-S	A-44,A-243	\$492
00218OT3E145T-SG	A-156	\$632
00218OT3E56CFL-S	A-54,A-141	\$399
00218OT3E56C-S	A-50,A-140	\$399
00218OT3E56-S	A-44,A-139	\$371
00218OT3ECD145T-S	A-243	\$502
00218OT3H145JM-S	A-191	\$607
00218OT3H145JM-SG	A-202	\$747
00218OT3H145TC-S	A-50	\$526
00218OT3H145T-S	A-44	\$492
00218OT3H145T-SG	A-156	\$632
00218OT3H56CFL-S	A-54,A-141	\$399
00218OT3P145T-S	A-44,A-243	\$492
00218OT3V145JM-S	A-191	\$607
00218OT3V145TC-S	A-50	\$526
00218OT3V145T-SG	A-156	\$632
00218ST3HIE145T-W22	A-56,A-88	\$1,023
00218ST3QIE145TC-W22	A-60,A-92	\$1,073
00218ST3QIE145T-W22	A-56,A-88	\$1,023
00218ST3QIER145TC-W2	A-61,A-93	\$1,104
00218XT3E145T	A-106	\$995
00218XT3E145TC	A-110	\$1,148
00218XT3E56H	A-106,A-145	\$1,090
00218XT3E56HC	A-110,A-145	\$1,162
00218XT3ER145TC	A-111	\$1,168
00218XT3H145T	A-106	\$995
00218XT3H145TC	A-110	\$1,148

Catalog Number	Page	List Price
00226EP3QCT213VF1-W2	A-165	\$2,021
00226EP3QCT213V-W22	A-165	\$2,021
00236AP3EAF143TZ-S	A-233	\$578
00236AS1RAF143TZ-S	A-233	\$783
00236EG3E145T-W22	A-71	\$650
00236ES1B145T-S	A-14	\$641
00236ES1B56CFL-S	A-16,A-130	\$589
00236ES1B56C-S	A-15,A-130	\$589
00236ES1B56-S	A-14,A-129,A-148	\$561
00236ES1BJP56C-S	A-172	\$487
00236ES1BJP56J-S	A-172	\$486
00236ES1BJPR56C-S	A-172	\$494
00236ES1BJPR56J-S	A-172	\$498
00236ES1BOL56-S	A-14,A-16,A-129, A-131,A-148	\$592
00236ES1E145JM	A-179	\$770
00236ES1E145JP	A-180	\$770
00236ES1E145T-S	A-14	\$640
00236ET3E145HP-W22	A-213	\$581
00236ET3E145JM-S	A-182	\$683
00236ET3E145JM-SG	A-200	\$834
00236ET3E145JM-W22	A-182	\$683
00236ET3E145JP-S	A-186	\$694
00236ET3E145JP-SG	A-201	\$834
00236ET3E145JP-W22	A-186	\$694
00236ET3E145TC-W22	A-37,A-84	\$619
00236ET3E145T-S	A-27	\$514
00236ET3E145T-SG	A-152	\$654
00236ET3E145T-W22	A-27,A-77	\$591
00236ET3E56CFL-S	A-40,A-138	\$517
00236ET3E56C-S	A-37,A-137	\$517
00236ET3E56-S	A-27,A-136	\$489
00236ET3EAL90L-W22	A-67,A-218	\$756
00236ET3EBM145T-W22	A-63,A-246	\$1,501
00236ET3EJP56J-S	A-174	\$535
00236ET3EJPR56C-S	A-174	\$490
00236ET3EJPR56J-S	A-174	\$525
00236ET3EPM143/5Y-W2	A-169	\$661
00236ET3ER145TC-S	A-40	\$539
00236ET3ER145TC-W22	A-40,A-86	\$638
00236ET3ESS145TC	A-123	\$1,113
00236ET3ESS145TCFL	A-124	\$1,113
00236ET3ESS56C	A-123	\$989
00236ET3ESS56CFL	A-124	\$989
00236ET3H145JM-S	A-182	\$683
00236ET3H145JM-SG	A-200	\$834
00236ET3H145JM-W22	A-182	\$683
00236ET3H145TC-S	A-37	\$539
00236ET3H145TC-W22	A-37,A-84	\$619
00236ET3H145T-S	A-27	\$514
00236ET3H145T-SG	A-152	\$654
00236ET3H145T-W22	A-27,A-77	\$591
00236ET3H56C-S	A-37,A-137	\$517
00236ET3HJP56J-S	A-174	\$535
00236ET3HJPR56J-S	A-174	\$525
00236ET3V145JM-S	A-182	\$683
00236ET3WAL90L-W22	A-67,A-218	\$756
00236OS1BCD56-S	A-17,A-20,A-132,A-135,A-242	\$372

Catalog Number	Page	List Price
002360S1BJP56J-S	A-173	\$438
002360S1BJPR56C-S	A-173	\$424
002360S1BJPR56J-S	A-173	\$438
002360S3EJP56J-S	A-175	\$316
002360S3EJPR56C-S	A-175	\$311
002360S3EJPR56J-S	A-175	\$321
002360S3HJP56J-S	A-175	\$316
002360S3HJPR56C-S	A-175	\$311
002360S3HJPR56J-S	A-175	\$321
002360T1B56CFL-S	A-20,A-135	\$513
002360T1B56C-S	A-19,A-134	\$513
002360T1B56-S	A-17,A-132,A-149	\$485
002360T1B056CFL-S	A-20,A-135	\$530
002360T3E145JM-S	A-191	\$580
002360T3E145JM-SG	A-202	\$720
002360T3E145JMV-S	A-194	\$635
002360T3E145JP-S	A-195	\$580
002360T3E145JP-SG	A-203	\$720
002360T3E145JPV-S	A-198	\$635
002360T3E145TC-S	A-50	\$521
002360T3E145T-S	A-44,A-243	\$487
002360T3E145T-SG	A-156	\$627
002360T3E56CFL-S	A-54,A-141	\$464
002360T3E56C-S	A-50,A-140	\$464
002360T3E56-S	A-44,A-139	\$436
002360T3H145JM-S	A-191	\$580
002360T3H145JM-SG	A-202	\$720
002360T3H145TC-S	A-50	\$521
002360T3H145T-S	A-44	\$487
002360T3V145JM-S	A-191	\$580
002360T3V145JM-SG	A-202	\$720
002360T3V145JP-S	A-195	\$580
00236ST3HIE145T-W22	A-56,A-88	\$1,023
00236ST3QIE145TC-W22	A-60,A-92	\$1,073
00236ST3QIE145T-W22	A-56,A-88	\$1,023
00236XS1C56H	A-104,A-144	\$1,408
00236XS1C56HC	A-104,A-144	\$1,457
00236XT3E145T	A-106	\$935
00236XT3E145TC	A-110	\$1,045
00236XT3E56H	A-106,A-145	\$1,171
00236XT3E56HC	A-110,A-145	\$1,125
00236XT3H145T	A-106	\$935
00289EP3PCT145VF1-W2	A-165	\$929
00289EP3PCT145V-W22	A-165	\$929
00309ET3E215TC-W22	A-37,A-84	\$2,166
00309ET3E215T-W22	A-28,A-77	\$2,115
00309ET3EAL132M-W22	A-68,A-219	\$1,610
00309ET3EBM215T-W22	A-63,A-246	\$3,740
00309ET3H215T-W22	A-28,A-77	\$2,115
00309ET3YAL132M-W22	A-68,A-219	\$1,610
00309ST3QIE215TC-W22	A-60,A-92	\$2,963
00309ST3QIE215T-W22	A-56,A-88	\$2,883
00309XT3E215T	A-106	\$2,805
00312AT3ECT213TF1-W2	A-163	\$1,369
00312AT3ECT213T-W22	A-163	\$1,369
00312AT3HCT213T-W22	A-163	\$1,369
00312AT3PCT213TF1-W2	A-163	\$1,369
00312AT3PCT213T-W22	A-163	\$1,369

Catalog Number	Page	List Price
00312EG3E213T-W22	A-71	\$1,242
00312ES1E215T	A-14	\$1,327
00312ES3EOW215T-W22	A-240	\$1,027
00312ET3E213JM-S	A-182	\$1,423
00312ET3E213JM-W22	A-182	\$1,423
00312ET3E213JP-S	A-186	\$1,449
00312ET3E213JP-W22	A-186	\$1,449
00312ET3E213TC-W22	A-37,A-84	\$1,180
00312ET3E213T-S	A-28	\$983
00312ET3E213T-SG	A-152	\$1,183
00312ET3E213T-W22	A-28,A-77	\$1,129
00312ET3EAL132M-W22	A-68,A-219	\$1,247
00312ET3EBM213T-W22	A-63,A-246	\$3,220
00312ET3ECT213T-W22	A-160	\$1,329
00312ET3ER213TC-S	A-41	\$1,028
00312ET3ER213TC-W22	A-41,A-86	\$1,203
00312ET3H213T-S	A-28	\$983
00312ET3H213T-SG	A-152	\$1,183
00312ET3H213T-W22	A-28,A-77	\$1,129
00312ET3HCT213T-W22	A-160	\$1,329
00312ET3PCT213T-W22	A-160	\$1,329
00312ET3YAL132M-W22	A-68,A-219	\$1,247
00312OS3EOW213T	A-240	\$866
00312OT3E213JM-S	A-191	\$1,105
00312OT3E213JMV-S	A-194	\$1,187
00312OT3E213JP-S	A-195	\$1,095
00312OT3E213TC-S	A-50	\$826
00312OT3E213T-S	A-45	\$775
00312OT3E213T-SG	A-156	\$975
00312OT3H213TC-S	A-50	\$826
00312OT3H213T-S	A-45	\$775
00312OT3H213T-SG	A-156	\$975
00312ST3HIE213T-W22	A-56,A-88	\$1,537
00312ST3QIE213TC-W22	A-60,A-92	\$1,617
00312ST3QIE213T-W22	A-56,A-88	\$1,537
00312XT3E213T	A-106	\$1,792
00312XT3E213TC	A-110	\$1,868
00312XT3H213T	A-106	\$1,792
00318AT3ECT182TF1-W2	A-163	\$804
00318AT3ECT182T-W22	A-163	\$804
00318AT3HCT182T-W22	A-163	\$804
00318AT3PCT182TF1-W2	A-163	\$804
00318AT3PCT182T-W22	A-163	\$804
00318EG3E182T-W22	A-71	\$729
00318ES1B184JM	A-179	\$1,182
00318ES1B184JP	A-180	\$1,182
00318ES1B184TC	A-15	\$913
00318ES1C184T	A-14	\$875
00318ES1C184TC	A-15	\$913
00318ES1DFD184T	A-14,A-16,A-231	\$915
00318ES1E184JM	A-179	\$1,182
00318ES1E184JP	A-180	\$1,182
00318ES1E184T	A-14	\$874
00318ES1E184TC	A-15	\$913
00318ES1ER184TC	A-16	\$912
00318ET3E182HP-W22	A-213	\$923
00318ET3E182JM-S	A-182	\$1,022
00318ET3E182JM-SG	A-200	\$1,211

Catalog Number	Page	List Price
00318ET3E182JMV-S	A-182	\$1,080
00318ET3E182JM-W22	A-182	\$1,022
00318ET3E182JP-S	A-186	\$1,041
00318ET3E182JP-SG	A-201	\$1,211
00318ET3E182JP-W22	A-186	\$1,041
00318ET3E182TC-S	A-37	\$610
00318ET3E182TC-SG	A-152	\$780
00318ET3E182TC-W22	A-37,A-84	\$700
00318ET3E182T-S	A-28	\$577
00318ET3E182T-SG	A-152	\$747
00318ET3E182T-W22	A-28,A-77	\$663
00318ET3EAL100L-W22	A-68,A-219	\$672
00318ET3EBM182T-W22	A-63,A-246	\$2,052
00318ET3EBMQ182TC-W2	A-64,A-247	\$2,250
00318ET3EBMQ182T-W22	A-63,A-246	\$2,212
00318ET3ECT182TF1-W2	A-160	\$781
00318ET3ECT182T-W22	A-160	\$781
00318ET3EPM182/4Y-W2	A-169	\$735
00318ET3ER182TC-S	A-41	\$610
00318ET3ER182TC-W22	A-41,A-86	\$721
00318ET3ESS182TC	A-123	\$1,453
00318ET3ESS182TCFL	A-124	\$1,453
00318ET3H182JM-S	A-182	\$1,022
00318ET3H182JM-SG	A-200	\$1,211
00318ET3H182JM-W22	A-182	\$1,022
00318ET3H182JP-S	A-186	\$1,041
00318ET3H182JP-W22	A-186	\$1,041
00318ET3H182TC-S	A-37	\$610
00318ET3H182TC-W22	A-37,A-84	\$700
00318ET3H182T-S	A-28	\$577
00318ET3H182T-SG	A-152	\$747
00318ET3H182T-W22	A-28,A-77	\$663
00318ET3HCT182TF1-W2	A-160	\$781
00318ET3HCT182T-W22	A-160	\$781
00318ET3PCT182TF1-W2	A-160	\$781
00318ET3PCT182T-W22	A-160	\$781
00318ET3V182JM-S	A-182	\$1,022
00318ET3V182T-SG	A-152	\$747
00318ET3WAL100L-W22	A-68,A-219	\$672
00318NT3FVD182TC-W22	A-237	\$1,150
00318OS1B184T	A-17	\$690
00318OS1C184T	A-17	\$690
00318OS1CCDOL184T	A-17,A-242	\$687
003180T3E182JM-S	A-191	\$665
003180T3E182JM-SG	A-202	\$835
003180T3E182JMV-S	A-194	\$723
003180T3E182JP-S	A-195	\$665
003180T3E182JP-SG	A-203	\$835
003180T3E182TC-S	A-50	\$562
003180T3E182TC-SG	A-156	\$732
003180T3E182T-S	A-45,A-243	\$524
003180T3E182T-SG	A-156	\$694
003180T3E56Z-S	A-45,A-139	\$481
003180T3H182JM-S	A-191	\$665
003180T3H182JM-SG	A-202	\$835
003180T3H182JP-S	A-195	\$665
003180T3H182TC-S	A-50	\$562

Catalog Number	Page	List Price
003180T3H182T-S	A-45	\$524
003180T3H182T-SG	A-156	\$694
003180T3P182T-S	A-45,A-243	\$524
003180T3V182JM-S	A-191	\$665
003180T3V182JM-SG	A-202	\$835
003180T3V182TC-S	A-50	\$562
003180T3V182TC-SG	A-156	\$732
003180T3V182T-S	A-45	\$524
003180T3V182T-SG	A-156	\$694
00318ST3HIE182T-W22	A-56,A-88	\$1,224
00318ST3QIE182TC-W22	A-60,A-92	\$1,289
00318ST3QIE182T-W22	A-56,A-88	\$1,224
00318ST3QIER182TC-W2	A-61,A-93	\$1,326
00318XT3E182JP	A-111,A-189	\$1,586
00318XT3E182T	A-106	\$1,208
00318XT3E182TC	A-110	\$1,373
00318XT3ER182TC	A-111	\$1,397
00318XT3H182JP	A-111,A-189	\$1,586
00318XT3H182T	A-106	\$1,208
00318XT3H182TC	A-110	\$1,373
00326EP3QCT215V-W22	A-165	\$2,125
00336AP3EAF145TZ-S	A-233	\$659
00336AP3EGD145TZ-S	A-233	\$750
00336AS1RAF145TZ-S	A-233	\$818
00336EG3E182T-W22	A-71	\$839
00336ES1B145JM	A-179	\$1,076
00336ES1B145JP	A-180	\$1,076
00336ES1B145T-S	A-14	\$830
00336ES1B182T	A-14	\$882
00336ES1C145JM	A-179	\$1,076
00336ES1DJP56C-S	A-172	\$548
00336ES1DJP56J-S	A-172	\$557
00336ES1DJPR56C-S	A-172	\$555
00336ES1DJPR56J-S	A-172	\$573
00336ES1E145JM	A-179	\$1,076
00336ES1E145JP	A-180	\$1,076
00336ES1E145TC-S	A-15	\$858
00336ES1E145T-S	A-14	\$829
00336ES1E182T	A-14	\$879
00336ES3ESA80SL	A-248	\$969
00336ES3ESA80SR	A-248	\$969
00336ET3E145HP-W22	A-213	\$863
00336ET3E145JM-S	A-182	\$897
00336ET3E145JM-W22	A-182	\$764
00336ET3E145JP-S	A-186	\$915
00336ET3E145JP-W22	A-186	\$915
00336ET3E145TC-S	A-37	\$674
00336ET3E182HP-W22	A-213	\$925
00336ET3E182JM-S	A-182	\$918
00336ET3E182JM-SG	A-200	\$1,103
00336ET3E182JM-W22	A-182	\$918
00336ET3E182JP-S	A-186	\$933
00336ET3E182JP-SG	A-201	\$1,103
00336ET3E182JP-W22	A-186	\$933
00336ET3E182TC-S	A-37	\$698
00336ET3E182TC-W22	A-37,A-84	\$802
00336ET3E182T-S	A-28	\$665

Catalog Number	Page	List Price
00336ET3E182T-SG	A-152	\$835
00336ET3E182T-W22	A-28,A-77	\$763
00336ET3E56CFL-S	A-41,A-138	\$606
00336ET3E56C-S	A-37,A-137	\$606
00336ET3E56-S	A-28,A-136	\$578
00336ET3EAL100L-W22	A-68,A-219	\$805
00336ET3EBM182T-W22	A-63,A-246	\$2,290
00336ET3EJP56J-S	A-174	\$634
00336ET3EJPR56C-S	A-174	\$602
00336ET3EJPR56J-S	A-174	\$624
00336ET3EPM182/4Y-W2	A-169	\$847
00336ET3ER145TC-W22	A-41,A-86	\$677
00336ET3ER182TC-S	A-41	\$698
00336ET3ER182TC-W22	A-41,A-86	\$826
00336ET3ESS145TCFL	A-124	\$1,564
00336ET3ESS182TC	A-123	\$1,564
00336ET3ESS182TCFL	A-124	\$1,564
00336ET3H145JM-S	A-182	\$897
00336ET3H145JM-W22	A-182	\$764
00336ET3H182JM-S	A-182	\$918
00336ET3H182JM-SG	A-200	\$1,103
00336ET3H182JM-W22	A-182	\$918
00336ET3H182JP-W22	A-186	\$933
00336ET3H182TC-S	A-37	\$698
00336ET3H182TC-W22	A-37,A-84	\$802
00336ET3H182T-S	A-28	\$665
00336ET3H182T-SG	A-152	\$835
00336ET3H182T-W22	A-28,A-77	\$763
00336ET3H56CFL-S	A-41,A-138	\$606
00336ET3H56C-S	A-37,A-137	\$606
00336ET3HJP56J-S	A-174	\$634
00336ET3WAL100L-W22	A-68,A-219	\$805
00336OS1B182JM	A-190	\$977
00336OS1B182JP	A-190	\$977
00336OS1B182T	A-17	\$607
00336OS1C182T	A-17	\$606
00336OS1CCD56-S	A-17,A-20,A-132,A-135,A-242	\$432
00336OS1DJP56J-S	A-173	\$499
00336OS1DJPR56C-S	A-173	\$482
00336OS1DJPR56J-S	A-173	\$499
00336OS3EJP56J-S	A-175	\$339
00336OS3EJPR56C-S	A-175	\$332
00336OS3EJPR56J-S	A-175	\$350
00336OS3HJP56J-S	A-175	\$339
00336OT1B56CFL-S	A-20,A-135	\$596
00336OT1B56C-S	A-19,A-134	\$596
00336OT1B56-S	A-17,A-132,A-149	\$568
00336OT1B056CFL-S	A-20,A-135	\$613
00336OT3E145JM-S	A-191	\$660
00336OT3E145JM-SG	A-202	\$800
00336OT3E145JMV-S	A-194	\$715
00336OT3E145JP-S	A-195	\$660
00336OT3E145JP-SG	A-203	\$800
00336OT3E145JPV-S	A-198	\$715
00336OT3E145TC-S	A-50	\$579
00336OT3E145T-S	A-45,A-243	\$545

Catalog Number	Page	List Price
00336OT3E145T-SG	A-156	\$685
00336OT3E56CFL-S	A-54,A-141	\$513
00336OT3E56C-S	A-50,A-140	\$513
00336OT3E56-S	A-45,A-139	\$485
00336OT3H145JM-S	A-191	\$660
00336OT3H145JM-SG	A-202	\$800
00336OT3H145JP-S	A-195	\$660
00336OT3H145TC-S	A-50	\$579
00336OT3H145T-S	A-45	\$545
00336OT3V145JM-S	A-191	\$660
00336OT3V145JM-SG	A-202	\$800
00336OT3V145JP-S	A-195	\$660
00336OT3V145TC-S	A-50	\$579
00336ST3HIE182T-W22	A-56,A-88	\$1,267
00336ST3QIE182TC-W22	A-60,A-92	\$1,332
00336ST3QIE182T-W22	A-56,A-88	\$1,267
00336XT3E182T	A-106	\$1,192
00336XT3E182TC	A-110	\$1,262
00336XT3H182T	A-106	\$1,192
00389EP3PCT182VF1-W2	A-165	\$1,369
00389EP3PCT182V-W22	A-165	\$1,369
00389EP3QCT182VF1-W2	A-165	\$1,369
00389EP3QCT182V-W22	A-165	\$1,369
00409ET3Y160M-W22	A-68,A-100,A-219	\$1,947
00412ET3EAL132M-W22	A-68,A-219	\$1,254
00412ET3YAL132M-W22	A-68,A-219	\$1,254
00418ET3EAL112M-W22	A-68,A-219	\$679
00418ET3YAL112M-W22	A-68,A-219	\$679
00436ET3EAL112M-W22	A-68,A-219	\$874
00436ET3YAL112M-W22	A-68,A-219	\$874
00456AP3EGD145TZ-S	A-233	\$795
00456AP3EGD182Z-S	A-233	\$827
00509ES3EOW256T-W22	A-240	\$2,242
00509ET3E254T-W22	A-28,A-77	\$3,301
00509ET3EBM254T-W22	A-63,A-246	\$5,641
00509ET3EBMQ254T-W22	A-63,A-246	\$5,801
00509ET3H254T-W22	A-28,A-77	\$3,301
00509ET3Y160M-W22	A-68,A-100,A-219	\$2,244
00509ST3QIE254TC-W22	A-60,A-92	\$4,363
00509ST3QIE254T-W22	A-56,A-88	\$4,243
00509XT3E254T	A-106	\$3,953
00512AT3ECT215TF1-W2	A-163	\$1,563
00512AT3ECT215T-W22	A-163	\$1,563
00512AT3HCT215TF1-W2	A-163	\$1,563
00512AT3HCT215T-W22	A-163	\$1,563
00512AT3PCT215TF1-W2	A-163	\$1,563
00512AT3PCT215T-W22	A-163	\$1,563
00512EG3EL215T-W22	A-71	\$1,465
00512ES1E215T	A-14	\$1,588
00512ES3EOW215T-W22	A-240	\$1,170
00512ET3E215JM-S	A-183	\$1,769
00512ET3E215JM-W22	A-183	\$1,769
00512ET3E215JP-S	A-186	\$1,801
00512ET3E215JP-W22	A-186	\$1,801
00512ET3E215TC-W22	A-37,A-84	\$1,384
00512ET3E215T-S	A-28	\$1,160
00512ET3E215T-SG	A-152	\$1,360

Catalog Number	Page	List Price
00512ET3E215T-W22	A-28,A-77	\$1,332
00512ET3EBM215T-W22	A-63,A-246	\$3,406
00512ET3ECT215TF1-W2	A-160	\$1,517
00512ET3ECT215T-W22	A-160	\$1,517
00512ET3ER215TC-S	A-41	\$1,206
00512ET3ER215TC-W22	A-41,A-86	\$1,426
00512ET3H215T-S	A-28	\$1,160
00512ET3H215T-SG	A-152	\$1,360
00512ET3H215T-W22	A-28,A-77	\$1,332
00512ET3HCT215T-W22	A-160	\$1,517
00512ET3PCT215T-W22	A-160	\$1,517
00512ET3Y160M-W22	A-68,A-100,A-219	\$1,760
005120S3EOW215T	A-240	\$989
005120T3E215JM-S	A-191	\$1,319
005120T3E215JMV-S	A-194	\$1,401
005120T3E215JP-S	A-195	\$1,321
005120T3E215TC-S	A-51	\$1,108
005120T3E215T-S	A-45	\$1,057
005120T3E215T-SG	A-156	\$1,257
005120T3H215TC-S	A-51	\$1,108
005120T3H215T-S	A-45	\$1,057
00512ST3HIE215T-W22	A-56,A-88	\$1,901
00512ST3QIE215TC-W22	A-60,A-92	\$1,981
00512ST3QIE215T-W22	A-56,A-88	\$1,901
00512XT3E215T	A-106	\$1,899
00512XT3E215TC	A-110	\$1,975
00512XT3H215T	A-106	\$1,899
00518AT3ECT184TF1-W2	A-163	\$921
00518AT3ECT184T-W22	A-163	\$921
00518AT3HCT184TF1-W2	A-163	\$921
00518AT3HCT184T-W22	A-163	\$921
00518AT3PCT184TF1-W2	A-163	\$921
00518AT3PCT184T-W22	A-163	\$921
00518EG3EL184T-W22	A-71	\$849
00518EP3EHP184TYZ7F3	A-244	\$819
00518ES1B184JM	A-179	\$1,430
00518ES1B184JP	A-180	\$1,430
00518ES1C184T	A-14	\$1,066
00518ES1C184TC	A-15	\$1,103
00518ES1DFD184T	A-14,A-16,A-231	\$1,074
00518ES1DFD215T	A-14,A-16,A-231	\$1,205
00518ES1DFD215Z	A-14,A-16,A-231	\$1,205
00518ES1E184JM	A-179	\$1,430
00518ES1E184JP	A-180	\$1,430
00518ES1E184T	A-14	\$1,064
00518ES1E184TC	A-15	\$1,103
00518ES1EID184TC	A-234	\$1,153
00518ES3ESA9OLL	A-248	\$1,701
00518ES3ESA9OLR	A-248	\$1,701
00518ET3E184HP-W22	A-213	\$1,045
00518ET3E184JM-S	A-183	\$1,141
00518ET3E184JM-SG	A-200	\$1,331
00518ET3E184JMV-S	A-183	\$1,199
00518ET3E184JM-W22	A-183	\$1,141
00518ET3E184JP-S	A-186	\$1,161
00518ET3E184JP-SG	A-201	\$1,331
00518ET3E184JP-W22	A-186	\$1,161

Catalog Number	Page	List Price
00518ET3E184TC-SG	A-152	\$876
00518ET3E184TC-W22	A-37,A-84	\$810
00518ET3E184T-S	A-28	\$672
00518ET3E184T-SG	A-152	\$842
00518ET3E184T-SRT	A-28	\$840
00518ET3E184T-W22	A-28,A-77	\$772
00518ET3EAL132S-W22	A-68,A-219	\$932
00518ET3EBM184T-W22	A-63,A-246	\$2,291
00518ET3EBMQ184TC-W2	A-64,A-247	\$2,489
00518ET3EBMQ184T-W22	A-63,A-246	\$2,451
00518ET3ECT184TF1-W2	A-160	\$894
00518ET3ECT184T-W22	A-160	\$894
00518ET3EID184TC-W22	A-234	\$860
00518ET3EPM182/4Y-W2	A-169	\$855
00518ET3ER184TC-S	A-41	\$706
00518ET3ER184TC-W22	A-41,A-86	\$834
00518ET3ESS184TC	A-123	\$1,607
00518ET3ESS184TCFL	A-124	\$1,607
00518ET3H184JM-S	A-183	\$1,141
00518ET3H184JM-SG	A-200	\$1,331
00518ET3H184JM-W22	A-183	\$1,141
00518ET3H184JP-S	A-186	\$1,161
00518ET3H184JP-W22	A-186	\$1,161
00518ET3H184TC-S	A-37	\$706
00518ET3H184TC-W22	A-37,A-84	\$810
00518ET3H184T-S	A-28	\$672
00518ET3H184T-SG	A-152	\$842
00518ET3H184T-SRT	A-28	\$840
00518ET3H184T-W22	A-28,A-77	\$772
00518ET3HBM184T-W22	A-63,A-246	\$2,291
00518ET3HCT184TF1-W2	A-160	\$894
00518ET3HCT184T-W22	A-160	\$894
00518ET3P184JM-S	A-183	\$1,141
00518ET3P184JM-W22	A-183	\$1,141
00518ET3P184T-S	A-28	\$672
00518ET3P184T-W22	A-28,A-77	\$772
00518ET3PCT184TF1-W2	A-160	\$894
00518ET3PCT184T-W22	A-160	\$894
00518ET3V184JM-S	A-183	\$1,141
00518ET3V184T-SG	A-152	\$842
00518ET3YAL132S-W22	A-68,A-219	\$932
00518NT3FVD184TC-W22	A-237	\$1,373
005180S1C184T	A-18	\$725
005180S1CCD184T	A-18,A-242	\$682
005180S1CCDOL184T	A-18,A-242	\$721
005180T3E184JM-S	A-191	\$849
005180T3E184JM-SG	A-202	\$1,019
005180T3E184JMV-S	A-194	\$907
005180T3E184JP-S	A-195	\$848
005180T3E184JP-SG	A-203	\$1,019
005180T3E184TC-S	A-51	\$668
005180T3E184TC-SG	A-156	\$838
005180T3E184T-S	A-45,A-243	\$630
005180T3E184T-SG	A-156	\$800
005180T3H184JM-S	A-191	\$849
005180T3H184JM-SG	A-202	\$1,019
005180T3H184JP-S	A-195	\$848

Catalog Number	Page	List Price
005180T3H184TC-S	A-51	\$668
005180T3H184T-S	A-45	\$630
005180T3H184T-SG	A-156	\$800
005180T3P184T-S	A-45,A-243	\$630
005180T3V184JM-S	A-191	\$849
005180T3V184TC-S	A-51	\$668
005180T3V184TC-SG	A-156	\$838
005180T3V184T-S	A-45	\$630
005180T3V184T-SG	A-156	\$800
00518ST3HIE184T-W22	A-56,A-88	\$1,371
00518ST3QIE184TC-W22	A-60,A-92	\$1,436
00518ST3QIE184T-W22	A-56,A-88	\$1,371
00518ST3QIER184TC-W2	A-61,A-93	\$1,478
00518XT3E184JP	A-111,A-189	\$1,609
00518XT3E184T	A-106	\$1,220
00518XT3E184TC	A-110	\$1,385
00518XT3ER184TC	A-111	\$1,409
00518XT3H184JP	A-111,A-189	\$1,609
00518XT3H184T	A-106	\$1,220
00518XT3H184TC	A-110	\$1,385
00526EP3QCT254VF1-W2	A-165	\$2,424
00526EP3QCT254V-W22	A-165	\$2,424
00536EG3E184T-W22	A-71	\$960
00536ES1B184JM	A-179	\$1,457
00536ES1B184JP	A-180	\$1,457
00536ES1B184T	A-14	\$1,040
00536ES1C184JM	A-179	\$1,457
00536ES1E184JM	A-179	\$1,457
00536ES1E184JP	A-180	\$1,457
00536ES1E184T	A-14	\$1,038
00536ES1E184TC	A-15	\$1,077
00536ES3ESA80ML	A-248	\$1,160
00536ES3ESA80MR	A-248	\$1,160
00536ET3E184HP-W22	A-213	\$1,084
00536ET3E184JM-S	A-183	\$1,075
00536ET3E184JM-SG	A-200	\$1,264
00536ET3E184JMV-S	A-183	\$1,247
00536ET3E184JM-W22	A-183	\$1,075
00536ET3E184JP-S	A-186	\$1,094
00536ET3E184JP-SG	A-201	\$1,264
00536ET3E184JP-W22	A-186	\$1,094
00536ET3E184TC-SG	A-152	\$963
00536ET3E184TC-W22	A-37,A-84	\$911
00536ET3E184T-S	A-28	\$760
00536ET3E184T-SG	A-152	\$930
00536ET3E184T-SRT	A-28	\$810
00536ET3E184T-W22	A-28,A-77	\$873
00536ET3EAL132S-W22	A-68,A-219	\$1,144
00536ET3EBM184T-W22	A-63,A-246	\$2,343
00536ET3EPM182/4Y-W2	A-169	\$985
00536ET3ER184TC-S	A-41	\$793
00536ET3ER184TC-W22	A-41,A-86	\$938
00536ET3ESS184TC	A-123	\$1,779
00536ET3ESS184TCFL	A-124	\$1,779
00536ET3H184JM-S	A-183	\$1,075
00536ET3H184JM-SG	A-200	\$1,264
00536ET3H184JM-W22	A-183	\$1,075

Catalog Number	Page	List Price
00536ET3H184JP-W22	A-186	\$1,094
00536ET3H184TC-S	A-37	\$793
00536ET3H184TC-W22	A-37,A-84	\$911
00536ET3H184T-S	A-28	\$760
00536ET3H184T-SG	A-152	\$930
00536ET3H184T-W22	A-28,A-77	\$873
00536ET3P184JM-S	A-183	\$1,075
00536ET3V184JM-S	A-183	\$1,075
00536ET3YAL132S-W22	A-68,A-219	\$1,144
005360S1B184JM	A-190	\$1,383
005360S1B184JP	A-190	\$1,383
005360S1B184T	A-18	\$863
005360S1C184T	A-18	\$863
005360S1CCDW184Y-S	A-18,A-20,A-242	\$526
005360S1D184T	A-18	\$862
005360S1DCD56H-S	A-18,A-20,A-132,A-135,A-242	\$458
005360S1DCD56HZ-S	A-18,A-20,A-132,A-135,A-242	\$481
005360S3ECD56-S	A-243	\$412
005360T3E182JM-S	A-191	\$780
005360T3E182JM-SG	A-202	\$962
005360T3E182JMV-S	A-194	\$838
005360T3E182JP-S	A-195	\$792
005360T3E182JP-SG	A-203	\$962
005360T3E182JPV-S	A-198	\$850
005360T3E182TC-S	A-51	\$689
005360T3E182TC-SG	A-156	\$859
005360T3E182T-S	A-45,A-243	\$651
005360T3E182T-SG	A-156	\$821
005360T3H182JM-S	A-191	\$780
005360T3H182JM-SG	A-202	\$962
005360T3H182JP-S	A-195	\$792
005360T3H182TC-S	A-51	\$689
005360T3H182T-S	A-45	\$651
005360T3V182JM-S	A-191	\$780
005360T3V182JM-SG	A-202	\$962
005360T3V182JP-S	A-195	\$792
005360T3V182TC-S	A-51	\$689
005360T3V182T-S	A-45	\$651
00536ST3HIE184T-W22	A-56,A-88	\$1,429
00536ST3QIE184TC-W22	A-60,A-92	\$1,494
00536ST3QIE184T-W22	A-56,A-88	\$1,429
00536XT3E184T	A-106	\$1,255
00536XT3E184TC	A-110	\$1,325
00536XT3H184T	A-106	\$1,255
00536XT3H184TC	A-110	\$1,325
00589EP3HCT184VF1-W2	A-165	\$1,471
00589EP3HCT184V-W22	A-165	\$1,471
00589EP3PCT184VF1-W2	A-165	\$1,471
00589EP3PCT184V-W22	A-165	\$1,471
00589EP3PCT215V2F1-W	A-165	\$2,262
00589EP3QCT184VF1-W2	A-165	\$1,471
00589EP3QCT184V-W22	A-165	\$1,471
00589EP3QCT215V2F1-W	A-165	\$2,262
00589EP3QCT215V2-W22	A-165	\$2,262
00709ET3E256TC-W22	A-37,A-84	\$3,726
00709ET3E256T-W22	A-29,A-78	\$3,658
00709ET3EBM256T-W22	A-63,A-246	\$6,415

Catalog Number	Page	List Price
00709ET3H256T-W22	A-29,A-78	\$3,658
00709ET3Y160L-W22	A-68,A-100,A-219	\$2,774
00709ST3QIE256TC-W22	A-60,A-92	\$5,160
00709ST3QIE256T-W22	A-56,A-88	\$5,040
00709XT3E256T	A-107	\$4,707
00712AT3ECT254TF1-W2	A-163	\$2,506
00712AT3PCT254TF1-W2	A-163	\$2,506
00712EG3E254T-W22	A-71	\$2,272
00712ES3EOW254T-W22	A-240	\$1,688
00712ET3E254JM-S	A-183	\$2,455
00712ET3E254JM-W22	A-183	\$2,455
00712ET3E254JP-S	A-187	\$2,495
00712ET3E254JP-W22	A-187	\$2,495
00712ET3E254TC-W22	A-37,A-84	\$2,134
00712ET3E254T-S	A-29	\$1,799
00712ET3E254T-SG	A-153	\$2,079
00712ET3E254T-W22	A-29,A-78	\$2,065
00712ET3EBM254T-W22	A-63,A-246	\$5,172
00712ET3ECT254T-W22	A-161	\$2,433
00712ET3ER254TC-S	A-41	\$1,859
00712ET3H254T-S	A-29	\$1,799
00712ET3H254T-SG	A-153	\$2,079
00712ET3H254T-W22	A-29,A-78	\$2,065
00712ET3HCT254T-W22	A-161	\$2,433
00712ET3PCT254T-W22	A-161	\$2,433
00712ET3Y160M-W22	A-68,A-100,A-219	\$2,306
00712OS3EOW254T	A-240	\$1,434
00712OT3E254JM	A-191	\$1,985
00712OT3E254JM-S	A-191	\$1,985
00712OT3E254JP	A-195	\$2,113
00712OT3E254JP-S	A-195	\$2,113
00712OT3E254JPV-S	A-198	\$2,211
00712OT3E254T	A-45	\$1,467
00712OT3E254TC	A-51	\$1,535
00712OT3E254TC-S	A-51	\$1,535
00712OT3E254TC-SG	A-157	\$1,815
00712OT3E254T-S	A-45	\$1,467
00712OT3E254T-SG	A-157	\$1,747
00712OT3H254TC	A-51	\$1,535
00712OT3H254TC-S	A-51	\$1,535
00712OT3H254T-S	A-45	\$1,467
00712OT3H254T-SG	A-157	\$1,747
00712ST3HIE254T-W22	A-56,A-88	\$2,544
00712ST3QIE254TC-W22	A-60,A-92	\$2,664
00712ST3QIE254T-W22	A-56,A-88	\$2,544
00712XT3E254T	A-107	\$2,483
00712XT3H254T	A-107	\$2,483
00718AT3ECT213TF1-W2	A-163	\$1,332
00718AT3ECT213T-W22	A-163	\$1,332
00718AT3HCT213TF1-W2	A-163	\$1,332
00718AT3HCT213T-W22	A-163	\$1,332
00718AT3PCT213TF1-W2	A-163	\$1,332
00718AT3PCT213T-W22	A-163	\$1,332
00718EG3E213T-W22	A-71	\$1,198
00718EP3EHP213TYZ7F3	A-244	\$1,054
00718ES1C215JM	A-179	\$1,766
00718ES1DFD215T	A-14,A-16,A-231	\$1,463

Catalog Number	Page	List Price
00718ES1DFD215Z	A-14,A-16,A-231	\$1,463
00718ES1E215JM	A-179	\$1,762
00718ES1E215JP	A-180	\$1,762
00718ES1E215T	A-14	\$1,359
00718ES1E215TC	A-15	\$1,410
00718ES1EID215TC	A-234	\$1,471
00718ES3ESA90LL	A-248	\$1,855
00718ES3ESA90LR	A-248	\$1,855
00718ET3E213HP-W22	A-213	\$1,371
00718ET3E213JM-S	A-183	\$1,519
00718ET3E213JM-SG	A-200	\$1,743
00718ET3E213JM-W22	A-183	\$1,519
00718ET3E213JP-S	A-187	\$1,543
00718ET3E213JP-SG	A-201	\$1,743
00718ET3E213JP-W22	A-187	\$1,543
00718ET3E213TC-SG	A-153	\$1,194
00718ET3E213TC-W22	A-37,A-84	\$1,141
00718ET3E213T-S	A-29	\$948
00718ET3E213T-SG	A-153	\$1,148
00718ET3E213T-W22	A-29,A-78	\$1,089
00718ET3EAL132M-W22	A-68,A-219	\$1,110
00718ET3EBM213T-W22	A-63,A-246	\$2,903
00718ET3ECT213TF1-W2	A-161	\$1,293
00718ET3ECT213T-W22	A-161	\$1,293
00718ET3EID213TC-W22	A-234	\$1,202
00718ET3EPM213/5Y-W2	A-169	\$1,240
00718ET3ER213TC-S	A-41	\$994
00718ET3ER213TC-W22	A-41,A-86	\$1,175
00718ET3EISS213TC	A-123	\$2,201
00718ET3EISS213CFL	A-124	\$2,201
00718ET3H213JM-S	A-183	\$1,519
00718ET3H213JM-SG	A-200	\$1,743
00718ET3H213JM-W22	A-183	\$1,519
00718ET3H213JP-S	A-187	\$1,543
00718ET3H213JP-SG	A-201	\$1,743
00718ET3H213JP-W22	A-187	\$1,543
00718ET3H213TC-W22	A-37,A-84	\$1,141
00718ET3H213T-S	A-29	\$948
00718ET3H213T-SG	A-153	\$1,148
00718ET3H213T-W22	A-29,A-78	\$1,089
00718ET3HCT213TF1-W2	A-161	\$1,293
00718ET3HCT213T-W22	A-161	\$1,293
00718ET3P213JM-S	A-183	\$1,519
00718ET3P213T-S	A-29	\$948
00718ET3P213T-W22	A-29,A-78	\$1,089
00718ET3PCT213TF1-W2	A-161	\$1,293
00718ET3PCT213T-W22	A-161	\$1,293
00718ET3V213JM-S	A-183	\$1,519
00718ET3V213JP-S	A-187	\$1,543
00718ET3V213T-SG	A-153	\$1,148
00718ET3YAL132M-W22	A-68,A-219	\$1,110
00718NT3FVD213TC-W22	A-237	\$1,803
00718OP3EFP213JPV-S	A-209	\$1,028
00718OP3HFP213JPV-S	A-209	\$1,028
00718OS1CCD215T	A-18,A-242	\$961
00718OS1F215T	A-18	\$961
00718OT3E213JM-S	A-191	\$1,119
00718OT3E213JM-SG	A-202	\$1,320

Catalog Number	Page	List Price
007180T3E213JMV-S	A-194	\$1,201
007180T3E213JP-S	A-195	\$1,120
007180T3E213JP-SG	A-203	\$1,320
007180T3E213TC-S	A-51	\$961
007180T3E213TC-SG	A-157	\$1,161
007180T3E213T-S	A-45,A-243	\$910
007180T3E213T-SG	A-157	\$1,110
007180T3H213JM-S	A-191	\$1,120
007180T3H213JM-SG	A-202	\$1,320
007180T3H213JP-S	A-195	\$1,120
007180T3H213JP-SG	A-203	\$1,320
007180T3H213TC-S	A-51	\$961
007180T3H213T-S	A-45	\$910
007180T3H213T-SG	A-157	\$1,110
007180T3P213T-S	A-45,A-243	\$910
007180T3V213JM-S	A-191	\$1,119
007180T3V213JP-S	A-195	\$1,120
007180T3V213JP-SG	A-203	\$1,320
007180T3V213TC-S	A-51	\$961
007180T3V213TC-SG	A-157	\$1,161
007180T3V213T-SG	A-157	\$1,110
00718ST3HIE213T-W22	A-56,A-88	\$1,646
00718ST3QIE213TC-W22	A-60,A-92	\$1,726
00718ST3QIE213T-W22	A-56,A-88	\$1,646
00718ST3QIER213TC-W2	A-61,A-93	\$1,776
00718XT3E213T	A-107	\$1,897
00718XT3E213TC	A-110	\$2,080
00718XT3ER213TC	A-111	\$2,118
00718XT3H213T	A-107	\$1,897
00718XT3H213TC	A-110	\$2,080
00726EP3QCT256V-W22	A-165	\$2,496
00736AP3EGD184TZ-S	A-233	\$933
00736EG3E213T-W22	A-71	\$1,238
00736ES1B213T	A-14	\$1,552
00736ES1C213JM	A-179	\$1,641
00736ES1C213JP	A-180	\$1,641
00736ES1E213JM	A-179	\$1,641
00736ES1E213JP	A-180	\$1,641
00736ES1E213T	A-14	\$1,548
00736ES1E213TC	A-15	\$1,598
00736ES3ESA80LL	A-248	\$1,642
00736ES3ESA80LR	A-248	\$1,642
00736ES3HSA80LL	A-248	\$1,642
00736ES3HSA80LR	A-248	\$1,642
00736ET3E184HP-W22	A-213	\$1,331
00736ET3E184JM-S	A-183	\$1,313
00736ET3E184JM-W22	A-183	\$1,313
00736ET3E184JP-S	A-187	\$1,339
00736ET3E184JP-W22	A-187	\$1,339
00736ET3E184TC-S	A-37	\$985
00736ET3E184TC-W22	A-37,A-84	\$1,112
00736ET3E184T-W22	A-29,A-78	\$1,074
00736ET3E213HP-W22	A-213	\$1,440
00736ET3E213JM-S	A-183	\$1,419
00736ET3E213JM-SG	A-200	\$1,645
00736ET3E213JM-W22	A-183	\$1,419
00736ET3E213JP-S	A-187	\$1,445
00736ET3E213JP-SG	A-201	\$1,645

Catalog Number	Page	List Price
00736ET3E213JP-W22	A-187	\$1,445
00736ET3E213TC-SG	A-153	\$1,225
00736ET3E213TC-W22	A-37,A-84	\$1,177
00736ET3E213T-S	A-29	\$980
00736ET3E213T-SG	A-153	\$1,180
00736ET3E213T-SRG	A-153	\$1,298
00736ET3E213T-SRT	A-29	\$1,078
00736ET3E213T-W22	A-29,A-78	\$1,125
00736ET3EAL132S-W22	A-68,A-219	\$1,292
00736ET3EBM213T-W22	A-63,A-246	\$3,002
00736ET3EPM213/5Y-W2	A-169	\$1,248
00736ET3ER213TC-S	A-41	\$1,025
00736ET3ER213TC-W22	A-41,A-86	\$1,212
00736ET3ESS213TC	A-123	\$2,208
00736ET3ESS213TCFL	A-124	\$2,208
00736ET3H184JM-S	A-183	\$1,313
00736ET3H184JM-W22	A-183	\$1,313
00736ET3H184TC-W22	A-37,A-84	\$1,112
00736ET3H213JM-S	A-183	\$1,419
00736ET3H213JM-SG	A-200	\$1,645
00736ET3H213JM-W22	A-183	\$1,419
00736ET3H213JP-S	A-187	\$1,445
00736ET3H213JP-W22	A-187	\$1,445
00736ET3H213TC-S	A-37	\$1,025
00736ET3H213TC-W22	A-37,A-84	\$1,177
00736ET3H213T-S	A-29	\$980
00736ET3H213T-SG	A-153	\$1,180
00736ET3H213T-W22	A-29,A-78	\$1,125
00736ET3V213JM-S	A-183	\$1,419
00736ET3YAL132S-W22	A-68,A-219	\$1,292
007360P3EFP184JMV-S	A-208	\$993
007360P3EFP184JPV-S	A-209	\$993
007360P3EFP184TC-S	A-207	\$734
007360P3HFP184JMV-S	A-208	\$993
007360P3HFP184JPV-S	A-209	\$993
007360P3HFP184TC-S	A-207	\$734
007360P3VFP184JMV-S	A-208	\$993
007360P3VFP184JPV-S	A-209	\$993
007360P3VFP184TC-S	A-207	\$734
007360S1C184T	A-18	\$961
007360S1C213JM	A-190	\$1,567
007360S1C213JP	A-190	\$1,567
007360T3E184JM-S	A-191	\$1,086
007360T3E184JM-SG	A-202	\$1,256
007360T3E184JMV-S	A-194	\$1,144
007360T3E184JP-S	A-195	\$1,086
007360T3E184JP-SG	A-203	\$1,256
007360T3E184JPV-S	A-198	\$1,144
007360T3E184TC-S	A-51	\$958
007360T3E184TC-SG	A-157	\$1,128
007360T3E184T-S	A-45,A-243	\$920
007360T3E184T-SG	A-157	\$1,090
007360T3H184JM-S	A-191	\$1,086
007360T3H184JM-SG	A-202	\$1,256
007360T3H184JMV-S	A-194	\$1,144
007360T3H184JP-S	A-195	\$1,086
007360T3H184TC-S	A-51	\$958
007360T3H184T-S	A-45	\$920

Catalog Number	Page	List Price
007360T3V184JM-S	A-191	\$1,086
007360T3V184JMV-S	A-194	\$1,144
007360T3V184JP-S	A-195	\$1,086
007360T3V184JPV-S	A-198	\$1,144
00736ST3HIE213T-W22	A-56,A-88	\$1,751
00736ST3QIE213TC-W22	A-60,A-92	\$1,831
00736ST3QIE213T-W22	A-56,A-88	\$1,751
00736XT3E213T	A-107	\$1,646
00736XT3E213TC	A-110	\$1,722
00736XT3H213T	A-107	\$1,646
00789EP3HCT213V-W22	A-165	\$1,672
00789EP3PCT213VF1-W2	A-165	\$1,672
00789EP3PCT213V-W22	A-165	\$1,672
00789EP3PCT254V2F1-W	A-165	\$2,808
00789EP3PCT254V2-W22	A-165	\$2,808
00789EP3QCT213VF1-W2	A-165	\$1,672
00789EP3QCT213V-W22	A-165	\$1,672
00789EP3QCT254V2F1-W	A-165	\$2,808
00789EP3QCT254V2-W22	A-165	\$2,808
01009ES3EOW286T-W22	A-240	\$3,437
01009ET3E284T-W22	A-29,A-78	\$4,634
01009ET3H284T-W22	A-29,A-78	\$4,634
01009ST3QIE284TC-W22	A-60,A-92	\$6,136
01009ST3QIE284T-W22	A-57,A-89	\$5,936
01009XT3E284T	A-107	\$5,668
01012AT3ECT256TF1-W2	A-164	\$2,919
01012AT3PCT256TF1-W2	A-164	\$2,919
01012AT3PCT256T-W22	A-164	\$2,919
01012EG3E256T-W22	A-71	\$2,636
01012ES3EOW256T-W22	A-240	\$2,070
01012ET3E256JM-S	A-183	\$2,979
01012ET3E256JM-W22	A-183	\$2,979
01012ET3E256JP-S	A-187	\$3,103
01012ET3E256JP-W22	A-187	\$3,103
01012ET3E256TC-W22	A-38,A-84	\$2,465
01012ET3E256T-S	A-29	\$2,088
01012ET3E256T-SG	A-153	\$2,368
01012ET3E256T-W22	A-29,A-78	\$2,396
01012ET3EBM256T-W22	A-63,A-246	\$5,759
01012ET3ECT256TF1-W2	A-161	\$2,751
01012ET3ECT256T-W22	A-161	\$2,751
01012ET3EPM254/6Y	A-169	\$2,611
01012ET3ER256TC-S	A-41	\$2,148
01012ET3H256T-S	A-29	\$2,088
01012ET3H256T-SG	A-153	\$2,368
01012ET3H256T-W22	A-29,A-78	\$2,396
01012ET3HCT256T-W22	A-161	\$2,751
01012ET3PCT256T-W22	A-161	\$2,751
01012OS3EOW256T	A-240	\$1,796
01012OT3E256JM	A-192	\$2,298
01012OT3E256JM-S	A-192	\$2,298
01012OT3E256JP	A-195	\$2,298
01012OT3E256JP-S	A-195	\$2,298
01012OT3E256JPV-S	A-198	\$2,396
01012OT3E256T	A-45	\$1,717
01012OT3E256TC	A-51	\$1,785
01012OT3E256TC-S	A-51	\$1,785

Catalog Number	Page	List Price
01012OT3E256T-S	A-45	\$1,717
01012OT3E256T-SG	A-157	\$1,997
01012OT3H256TC	A-51	\$1,785
01012OT3H256TC-S	A-51	\$1,785
01012OT3H256T-S	A-45	\$1,717
01012OT3H256T-SG	A-157	\$1,997
01012ST3HIE256T-W22	A-57,A-89	\$2,834
01012ST3QIE256TC-W22	A-60,A-92	\$2,954
01012ST3QIE256T-W22	A-57,A-89	\$2,834
01012XT3E256T	A-107	\$2,900
01012XT3H256T	A-107	\$2,900
01018AT3ECT215TF1-W2	A-164	\$1,519
01018AT3ECT215T-W22	A-164	\$1,519
01018AT3HCT215TF1-W2	A-164	\$1,519
01018AT3HCT215T-W22	A-164	\$1,519
01018AT3PCT215TF1-W2	A-164	\$1,519
01018AT3PCT215T-W22	A-164	\$1,519
01018EG3EL215T-W22	A-71	\$1,400
01018EP3EHP215TYZ7F3	A-244	\$1,244
01018ES1C215JM	A-179	\$2,057
01018ES1DFD215T	A-14,A-16,A-231	\$1,692
01018ES1E215JM	A-179	\$2,057
01018ES1E215JP	A-180	\$2,057
01018ES1E215T	A-14	\$1,579
01018ES1E215TC	A-15	\$1,633
01018ES1EID215TC	A-234	\$1,694
01018ES3ESA90LL	A-248	\$2,176
01018ES3ESA90LR	A-248	\$2,176
01018ET3E215HP-W22	A-213	\$1,641
01018ET3E215JM-S	A-183	\$1,792
01018ET3E215JM-SG	A-200	\$2,023
01018ET3E215JM-W22	A-183	\$1,792
01018ET3E215JP-S	A-187	\$1,823
01018ET3E215JP-SG	A-201	\$2,023
01018ET3E215JP-W22	A-187	\$1,823
01018ET3E215TC-SG	A-153	\$1,354
01018ET3E215TC-W22	A-38,A-84	\$1,325
01018ET3E215T-S	A-29	\$1,110
01018ET3E215T-SG	A-153	\$1,310
01018ET3E215T-W22	A-29,A-78	\$1,273
01018ET3EBM215T-W22	A-63,A-246	\$3,474
01018ET3ECT215TF1-W2	A-161	\$1,475
01018ET3ECT215T-W22	A-161	\$1,475
01018ET3EID215TC-W22	A-234	\$1,386
01018ET3EPM213/5Y-W2	A-169	\$1,450
01018ET3ER215TC-S	A-41	\$1,154
01018ET3ER215TC-W22	A-41,A-86	\$1,366
01018ET3ESS215TC	A-123	\$2,452
01018ET3ESS215TCFL	A-124	\$2,452
01018ET3H215JM-S	A-183	\$1,792
01018ET3H215JM-SG	A-200	\$2,023
01018ET3H215JM-W22	A-183	\$1,792
01018ET3H215JP-S	A-187	\$1,823
01018ET3H215JP-SG	A-201	\$2,023
01018ET3H215JP-W22	A-187	\$1,823
01018ET3H215TC-S	A-38	\$1,154
01018ET3H215TC-W22	A-38,A-84	\$1,325
01018ET3H215T-S	A-29	\$1,110

Catalog Number	Page	List Price
01018ET3H215T-SG	A-153	\$1,310
01018ET3H215T-W22	A-29,A-78	\$1,273
01018ET3HBM215T-W22	A-63,A-246	\$3,474
01018ET3HCT215TF1-W2	A-161	\$1,475
01018ET3HCT215T-W22	A-161	\$1,475
01018ET3HR215TC-S	A-41	\$1,154
01018ET3P215T-W22	A-29,A-78	\$1,273
01018ET3PCT215TF1-W2	A-161	\$1,475
01018ET3PCT215T-W22	A-161	\$1,475
01018ET3V215JM-S	A-183	\$1,792
01018ET3V215JP-S	A-187	\$1,823
01018ET3V215T-SG	A-153	\$1,310
01018NT3FVD215TC-W22	A-237	\$2,157
01018OP3EFP215JPV-S	A-209	\$1,245
01018OS1CCD215T	A-18,A-242	\$1,468
01018OT3E215JM-S	A-192	\$1,364
01018OT3E215JM-SG	A-202	\$1,566
01018OT3E215JMV-S	A-194	\$1,446
01018OT3E215JP-S	A-195	\$1,366
01018OT3E215JP-SG	A-203	\$1,566
01018OT3E215TC-S	A-51	\$1,153
01018OT3E215TC-SG	A-157	\$1,353
01018OT3E215T-S	A-45,A-243	\$1,102
01018OT3E215T-SG	A-157	\$1,302
01018OT3H215JM-S	A-192	\$1,366
01018OT3H215JM-SG	A-202	\$1,566
01018OT3H215JMV-S	A-194	\$1,448
01018OT3H215JP-S	A-195	\$1,366
01018OT3H215JP-SG	A-203	\$1,566
01018OT3H215TC-S	A-51	\$1,153
01018OT3H215T-S	A-45	\$1,102
01018OT3H215T-SG	A-157	\$1,302
01018OT3P215T-S	A-45,A-243	\$1,102
01018OT3V215JP-S	A-195	\$1,366
01018OT3V215JP-SG	A-203	\$1,566
01018OT3V215TC-S	A-51	\$1,153
01018OT3V215TC-SG	A-157	\$1,353
01018OT3V215T-SG	A-157	\$1,302
01018ST3HIE215T-W22	A-57,A-89	\$1,760
01018ST3QIE215TC-W22	A-60,A-92	\$1,840
01018ST3QIE215T-W22	A-57,A-89	\$1,760
01018ST3QIER215TC-W2	A-61,A-93	\$1,893
01018XT3E215T	A-107	\$1,997
01018XT3E215TC	A-110	\$2,180
01018XT3ER215TC	A-111	\$2,220
01018XT3H215T	A-107	\$1,997
01018XT3H215TC	A-110	\$2,180
01026EP3QCT284V-W22	A-165	\$3,017
01036AP3EGD184TZ-S	A-233	\$1,123
01036EG3E215T-W22	A-71	\$1,465
01036ES1C215JM	A-179	\$2,172
01036ES1C215JP	A-180	\$2,172
01036ES1E215JM	A-179	\$2,172
01036ES1E215JP	A-180	\$2,172
01036ES1E215T	A-14	\$1,916
01036ES1E215TC	A-15	\$1,970
01036ES3ESA90LL	A-248	\$1,953
01036ES3ESA90LR	A-248	\$1,953

Catalog Number	Page	List Price
01036ES3HSA90LL	A-248	\$1,953
01036ES3HSA90LR	A-248	\$1,953
01036ET3E215HP-W22	A-213	\$1,727
01036ET3E215JM-S	A-183	\$1,769
01036ET3E215JM-SG	A-200	\$2,001
01036ET3E215JM-W22	A-183	\$1,769
01036ET3E215JP-S	A-187	\$1,801
01036ET3E215JP-SG	A-201	\$2,001
01036ET3E215JP-W22	A-187	\$1,801
01036ET3E215TC-SG	A-153	\$1,405
01036ET3E215TC-W22	A-38,A-84	\$1,383
01036ET3E215T-S	A-29	\$1,160
01036ET3E215T-SG	A-153	\$1,360
01036ET3E215T-SRG	A-153	\$1,496
01036ET3E215T-SRT	A-29	\$1,276
01036ET3E215T-W22	A-29,A-78	\$1,332
01036ET3EBM215T-W22	A-63,A-246	\$3,492
01036ET3EPM213/5Y-W2	A-169	\$1,477
01036ET3ER215TC-S	A-41	\$1,205
01036ET3ER215TC-W22	A-41,A-86	\$1,424
01036ET3ESS215TC	A-123	\$2,713
01036ET3ESS215TCFL	A-124	\$2,713
01036ET3H215JM-S	A-183	\$1,769
01036ET3H215JM-SG	A-200	\$2,001
01036ET3H215JM-W22	A-183	\$1,769
01036ET3H215JP-S	A-187	\$1,801
01036ET3H215JP-W22	A-187	\$1,801
01036ET3H215TC-S	A-38	\$1,205
01036ET3H215TC-W22	A-38,A-84	\$1,383
01036ET3H215T-S	A-29	\$1,160
01036ET3H215T-SG	A-153	\$1,360
01036ET3H215T-W22	A-29,A-78	\$1,332
01036ET3V215JM-S	A-183	\$1,769
01036OP3EFP213JMV-S	A-208	\$1,201
01036OP3EFP213JPV-S	A-209	\$1,273
01036OP3EFP213TC-S	A-207	\$901
01036OP3HFP213JMV-S	A-208	\$1,201
01036OP3HFP213JPV-S	A-209	\$1,273
01036OP3HFP213TC-S	A-207	\$901
01036OP3VFP213JMV-S	A-208	\$1,201
01036OP3VFP213JPV-S	A-209	\$1,273
01036OS1C215JM	A-190	\$2,067
01036OS1C215JP	A-190	\$2,067
01036OT3E213JM-S	A-192	\$1,289
01036OT3E213JM-SG	A-202	\$1,489
01036OT3E213JMV-S	A-194	\$1,371
01036OT3E213JP-S	A-195	\$1,289
01036OT3E213JP-SG	A-203	\$1,489
01036OT3E213JPV-S	A-198	\$1,371
01036OT3E213TC-S	A-51	\$1,132
01036OT3E213TC-SG	A-157	\$1,332
01036OT3E213T-S	A-45,A-243	\$1,081
01036OT3E213T-SG	A-157	\$1,281
01036OT3H213JM-S	A-192	\$1,289
01036OT3H213JM-SG	A-202	\$1,489
01036OT3H213JMV-S	A-194	\$1,371
01036OT3H213JP-S	A-195	\$1,289
01036OT3H213JP-SG	A-203	\$1,489

Catalog Number	Page	List Price
010360T3H213JPV-S	A-198	\$1,371
010360T3H213TC-S	A-51	\$1,132
010360T3H213T-S	A-45	\$1,081
010360T3V213JM-S	A-192	\$1,289
010360T3V213JMV-S	A-194	\$1,371
010360T3V213JP-S	A-195	\$1,289
010360T3V213JPV-S	A-198	\$1,371
010360T3V213TC-S	A-51	\$1,132
01036ST3HIE215T-W22	A-57,A-89	\$1,920
01036ST3QIE215TC-W22	A-60,A-92	\$2,000
01036ST3QIE215T-W22	A-57,A-89	\$1,920
01036XT3E215T	A-107	\$1,727
01036XT3E215TC	A-110	\$1,803
01036XT3H215T	A-107	\$1,727
01036XT3H215TC	A-110	\$1,803
01089EP3HCT215VF1-W2	A-165	\$1,891
01089EP3HCT215V-W22	A-165	\$1,891
01089EP3PCT215VF1-W2	A-165	\$1,891
01089EP3PCT215V-W22	A-165	\$1,891
01089EP3PCT256V2F1-W	A-165	\$3,052
01089EP3PCT256V2-W22	A-165	\$3,052
01089EP3QCT215VF1-W2	A-165	\$1,891
01089EP3QCT215V-W22	A-165	\$1,891
01089EP3QCT256V2F1-W	A-165	\$3,052
01089EP3QCT256V2-W22	A-165	\$3,052
01109ET3Y180L-W22	A-68,A-100,A-219	\$4,031
01112ET3Y160L-W22	A-68,A-100,A-219	\$3,160
01118ET3Y160M-W22	A-68,A-100,A-219	\$1,726
01136ET3Y160M-W22	A-68,A-100,A-219	\$2,102
01218ES1E215T	A-14,A-231	\$1,776
01218ES1E215TC	A-15	\$1,827
01218ES1EID215TC	A-234	\$1,888
01236ES1C215T	A-14	\$2,015
01509ES3EOW324T-W22	A-240	\$4,293
01509ET3E286T-W22	A-30,A-78	\$5,368
01509ET3H286T-W22	A-30,A-78	\$5,368
01509ET3Y200L-W22	A-68,A-100,A-219	\$5,158
01509ST3QIE286TC-W22	A-60,A-92	\$6,942
01509ST3QIE286T-W22	A-57,A-89	\$6,742
01509XT3E286T	A-107	\$7,102
01512EG3E284T-W22	A-71	\$3,620
01512ES3EOW284T-W22	A-240	\$2,679
01512ET3E284JM-W22	A-184	\$3,912
01512ET3E284JP-W22	A-187	\$3,972
01512ET3E284TC-W22	A-38,A-84	\$3,388
01512ET3E284TS-W22	A-30,A-78	\$3,291
01512ET3E284TS-W22G	A-153	\$3,601
01512ET3E284T-W22	A-30,A-78	\$3,291
01512ET3E284T-W22G	A-153	\$3,601
01512ET3ECT284T-W22	A-161	\$3,850
01512ET3EPM284/6Y-W2	A-169	\$3,652
01512ET3H284TC-W22	A-38,A-84	\$3,388
01512ET3H284TS-W22	A-30,A-78	\$3,291
01512ET3H284TS-W22G	A-153	\$3,601
01512ET3H284T-W22	A-30,A-78	\$3,291
01512ET3PCT284T-W22	A-161	\$3,850
01512ET3Y180L-W22	A-68,A-100,A-219	\$3,884

Catalog Number	Page	List Price
015120S3EOW284T	A-240	\$2,441
015120T3E284JM	A-192	\$3,164
015120T3E284JP	A-196	\$3,163
015120T3E284JPV	A-198	\$3,399
015120T3E284T	A-45	\$2,412
015120T3E284TC	A-51	\$2,497
015120T3E284T-G	A-157	\$2,722
015120T3H284T	A-45	\$2,412
015120T3H284TC	A-51	\$2,497
01512ST3HIE284T-W22	A-57,A-89	\$4,203
01512ST3QIE284TC-W22	A-60,A-92	\$4,403
01512ST3QIE284T-W22	A-57,A-89	\$4,203
01512XT3E284T	A-107	\$4,048
01512XT3H284T	A-107	\$4,048
01515EP30FP254T-W22	A-211	\$1,811
01518AT3ECT254TF1-W2	A-164	\$2,186
01518AT3ECT254T-W22	A-164	\$2,186
01518AT3HCT254TF1-W2	A-164	\$2,186
01518AT3HCT254T-W22	A-164	\$2,186
01518AT3PCT254TF1-W2	A-164	\$2,186
01518AT3PCT254T-W22	A-164	\$2,186
01518EG3E254T-W22	A-71	\$2,033
01518ET3E254HP-W22	A-213	\$2,463
01518ET3E254JM-S	A-184	\$2,609
01518ET3E254JM-SG	A-200	\$2,933
01518ET3E254JM-W22	A-184	\$2,609
01518ET3E254JP-S	A-187	\$2,653
01518ET3E254JP-SG	A-201	\$2,933
01518ET3E254JP-W22	A-187	\$2,653
01518ET3E254TC-SG	A-153	\$1,950
01518ET3E254TC-W22	A-38,A-84	\$1,917
01518ET3E254T-S	A-30	\$1,610
01518ET3E254T-SG	A-153	\$1,890
01518ET3E254T-W22	A-30,A-78	\$1,848
01518ET3EBM254T-W22	A-63,A-246	\$5,205
01518ET3EBMQ254T-W22	A-63,A-246	\$5,365
01518ET3ECT254TF1-W2	A-161	\$2,122
01518ET3ECT254T-W22	A-161	\$2,122
01518ET3EID254TC-W22	A-234	\$1,996
01518ET3EPM254/6Y	A-169	\$2,050
01518ET3ER254TC-S	A-41	\$1,670
01518ET3ER254TC-W22	A-41,A-86	\$1,975
01518ET3H254JM-S	A-184	\$2,609
01518ET3H254JM-SG	A-200	\$2,933
01518ET3H254JM-W22	A-184	\$2,609
01518ET3H254JP-S	A-187	\$2,653
01518ET3H254JP-W22	A-187	\$2,653
01518ET3H254TC-S	A-38	\$1,670
01518ET3H254TC-W22	A-38,A-84	\$1,917
01518ET3H254T-S	A-30	\$1,610
01518ET3H254T-SG	A-153	\$1,890
01518ET3H254T-W22	A-30,A-78	\$1,848
01518ET3HBM254T-W22	A-63,A-246	\$5,205
01518ET3HCT254TF1-W2	A-161	\$2,122
01518ET3HCT254T-W22	A-161	\$2,122
01518ET3HR254TC-S	A-41	\$1,670
01518ET3P254T-S	A-30	\$1,610

Catalog Number	Page	List Price
01518ET3P254T-W22	A-30,A-78	\$1,848
01518ET3PCT254TF1-W2	A-161	\$2,122
01518ET3PCT254T-W22	A-161	\$2,122
01518ET3V254JM-S	A-184	\$2,609
01518ET3V254JP-S	A-187	\$2,653
01518ET3V254T-SG	A-153	\$1,890
01518ET3Y160L-W22	A-68,A-100,A-219	\$2,118
01518NT3FVD254TC-W22	A-237	\$2,567
01518OP3EFP254JPV-S	A-209	\$1,847
01518OP3VFP254JPV-S	A-209	\$1,847
01518OT3E254JM	A-192	\$1,995
01518OT3E254JM-S	A-192	\$1,995
01518OT3E254JM-SG	A-202	\$2,275
01518OT3E254JMV-S	A-194	\$2,147
01518OT3E254JP	A-196	\$1,995
01518OT3E254JP-S	A-196	\$1,995
01518OT3E254JP-SG	A-203	\$2,275
01518OT3E254T	A-45	\$1,477
01518OT3E254TC	A-51	\$1,545
01518OT3E254TC-S	A-51	\$1,545
01518OT3E254TC-SG	A-157	\$1,825
01518OT3E254T-S	A-45,A-243	\$1,477
01518OT3E254T-SG	A-157	\$1,757
01518OT3ECD254T	A-243	\$1,507
01518OT3H254JM	A-192	\$1,995
01518OT3H254JM-S	A-192	\$1,995
01518OT3H254JM-SG	A-202	\$2,275
01518OT3H254JP	A-196	\$1,995
01518OT3H254JP-S	A-196	\$1,995
01518OT3H254T	A-45	\$1,477
01518OT3H254TC	A-51	\$1,545
01518OT3H254TC-S	A-51	\$1,545
01518OT3H254T-S	A-45,A-243	\$1,477
01518OT3H254T-SG	A-157	\$1,757
01518OT3HCD254T	A-243	\$1,507
01518OT3P254T	A-45	\$1,477
01518OT3P254T-S	A-45,A-243	\$1,477
01518OT3PCD254T	A-243	\$1,507
01518OT3V254JM	A-192	\$1,995
01518OT3V254JM-S	A-192	\$1,995
01518OT3V254JPV-S	A-198	\$2,093
01518OT3V254TC	A-51	\$1,545
01518OT3V254TC-S	A-51	\$1,545
01518OT3V254T-S	A-45	\$1,477
01518OT3V254T-SG	A-157	\$1,757
01518ST3HIE254T-W22	A-57,A-89	\$2,257
01518ST3QIE254TC-W22	A-60,A-92	\$2,377
01518ST3QIE254T-W22	A-57,A-89	\$2,257
01518XT3E254T	A-107	\$2,653
01518XT3E254TC	A-110	\$2,976
01518XT3ER254TC	A-111	\$3,029
01518XT3H254T	A-107	\$2,653
01518XT3H254TC	A-110	\$2,976
01526EP3HCT286VF1-W2	A-166	\$3,274
01526EP3HCT286V-W22	A-166	\$3,274
01526EP3PCT286VF1-W2	A-166	\$3,274

Catalog Number	Page	List Price
01526EP3PCT286V-W22	A-166	\$3,274
01526EP3QCT286VF1-W2	A-166	\$3,274
01526EP3QCT286V-W22	A-166	\$3,274
01530EP30FP254T-W22	A-211	\$1,788
01536AP3EGD215TZ-S	A-233	\$1,408
01536EG3E254T-W22	A-71	\$2,006
01536ET3E215HP-W22	A-213	\$2,240
01536ET3E215JM-S	A-184	\$2,058
01536ET3E215JM-SG	A-200	\$2,258
01536ET3E215JM-W22	A-184	\$2,058
01536ET3E215JP-S	A-187	\$2,099
01536ET3E215JP-W22	A-187	\$2,099
01536ET3E215TC-W22	A-38,A-84	\$1,748
01536ET3E215T-W22	A-30,A-78	\$1,697
01536ET3E254HP-W22	A-213	\$2,462
01536ET3E254JM-S	A-184	\$2,214
01536ET3E254JM-SG	A-200	\$2,909
01536ET3E254JM-W22	A-184	\$2,214
01536ET3E254JP-S	A-187	\$2,629
01536ET3E254JP-SG	A-201	\$2,909
01536ET3E254JP-W22	A-187	\$2,629
01536ET3E254TC-SG	A-153	\$1,929
01536ET3E254TC-W22	A-38,A-84	\$1,893
01536ET3E254T-S	A-30	\$1,589
01536ET3E254T-SG	A-153	\$1,869
01536ET3E254T-W22	A-30,A-78	\$1,824
01536ET3EBM254T-W22	A-63,A-246	\$4,745
01536ET3EPM254/6Y	A-169	\$2,005
01536ET3ER254TC-S	A-41	\$1,649
01536ET3ER254TC-W22	A-41,A-86	\$1,950
01536ET3H215JM-S	A-184	\$2,058
01536ET3H215JM-SG	A-200	\$2,258
01536ET3H215JM-W22	A-184	\$2,058
01536ET3H215JP-S	A-187	\$2,099
01536ET3H254JM-S	A-184	\$2,214
01536ET3H254JM-SG	A-200	\$2,909
01536ET3H254JM-W22	A-184	\$2,214
01536ET3H254JP-W22	A-187	\$2,629
01536ET3H254TC-S	A-38	\$1,649
01536ET3H254TC-W22	A-38,A-84	\$1,893
01536ET3H254T-S	A-30	\$1,589
01536ET3H254T-SG	A-153	\$1,869
01536ET3H254T-W22	A-30,A-78	\$1,824
01536ET3V215JM-S	A-184	\$2,058
01536ET3V254JM-S	A-184	\$2,214
01536ET3V254JP-S	A-187	\$2,629
01536ET3Y160M-W22	A-68,A-100,A-219	\$2,413
01536OP3EFP215JMV-S	A-208	\$1,617
01536OP3EFP215JPV-S	A-209	\$1,617
01536OP3EFP215TC-S	A-207	\$1,283
01536OP3HFP215JMV-S	A-208	\$1,617
01536OP3HFP215JPV-S	A-209	\$1,617
01536OP3VFP215JMV-S	A-208	\$1,617
01536OP3VFP215JPV-S	A-209	\$1,617
01536OP3VFP215TC-S	A-207	\$1,283
01536OT3E215JM-S	A-192	\$1,707
01536OT3E215JM-SG	A-202	\$1,907

Catalog Number	Page	List Price
015360T3E215JMV-S	A-194	\$1,789
015360T3E215JP-S	A-196	\$1,707
015360T3E215JP-SG	A-203	\$1,907
015360T3E215JPV-S	A-198	\$1,789
015360T3E215TC-S	A-51	\$1,543
015360T3E215TC-SG	A-157	\$1,743
015360T3E215T-S	A-45	\$1,492
015360T3E215T-SG	A-157	\$1,692
015360T3H215JM-S	A-192	\$1,707
015360T3H215JM-SG	A-202	\$1,907
015360T3H215JMV-S	A-194	\$1,789
015360T3H215JP-S	A-196	\$1,707
015360T3H215JP-SG	A-203	\$1,907
015360T3H215JPV-S	A-198	\$1,789
015360T3H215TC-S	A-51	\$1,543
015360T3H215T-S	A-45	\$1,492
015360T3V215JM-S	A-192	\$1,707
015360T3V215JMV-S	A-194	\$1,789
015360T3V215JP-S	A-196	\$1,707
015360T3V215JPV-S	A-198	\$1,789
015360T3V215TC-S	A-51	\$1,543
01536ST3HIE254T-W22	A-57,A-89	\$2,428
01536ST3QIE254TC-W22	A-60,A-92	\$2,548
01536ST3QIE254T-W22	A-57,A-89	\$2,428
01536XT3E254T	A-107	\$2,387
01536XT3E254TC	A-110	\$2,490
01536XT3H254T	A-107	\$2,387
01589EP3HCT254VF1-W2	A-166	\$2,572
01589EP3HCT254V-W22	A-166	\$2,572
01589EP3PCT254VF1-W2	A-166	\$2,572
01589EP3PCT254V-W22	A-166	\$2,572
01589EP3PCT284V2F1-W	A-166	\$3,878
01589EP3PCT284V2-W22	A-166	\$3,878
01589EP3QCT254VF1-W2	A-166	\$2,572
01589EP3QCT254V-W22	A-166	\$2,572
01589EP3QCT284V2F1-W	A-166	\$3,878
01589EP3QCT284V2-W22	A-166	\$3,878
01809ET3Y225S/M-W22	A-68,A-100,A-219	\$5,902
01812ET3Y200L-W22	A-68,A-100,A-219	\$4,886
01818ET3Y180M-W22	A-68,A-100,A-219	\$2,689
01836ET3Y160L-W22	A-68,A-100,A-219	\$2,925
02009ES3EOW326T-W22	A-240	\$4,872
02009ET3E286T-W22	A-30,A-78	\$5,854
02009ET3E324T-W22	A-30,A-78	\$6,339
02009ET3H324T-W22	A-30,A-78	\$6,339
02009ST3QIE324TC-W22	A-60,A-92	\$8,494
02009ST3QIE324T-W22	A-57,A-89	\$8,269
02009XT3E324T	A-107	\$8,390
02012EG3E286T-W22	A-71	\$4,358
02012ES3EOW286T-W22	A-240	\$3,162
02012ET3E286JM-W22	A-184	\$4,940
02012ET3E286JP-W22	A-188	\$5,015
02012ET3E286TC-W22	A-38,A-85	\$4,060
02012ET3E286T-W22	A-30,A-78	\$3,962
02012ET3E286T-W22G	A-153	\$4,272
02012ET3ECT286T-W22	A-161	\$4,635
02012ET3EPM284/6Y-W2	A-169	\$4,437
02012ET3H286T-W22	A-30,A-78	\$3,962

Catalog Number	Page	List Price
02012E(T3H286T-W22G	A-153	\$4,272
02012ET3PCT286T-W22	A-161	\$4,635
020120T3E286JM	A-192	\$3,872
020120T3E286JP	A-196	\$3,871
020120T3E286T	A-46	\$3,034
020120T3E286TC	A-52	\$3,119
020120T3E286T-G	A-157	\$3,344
020120T3H286T	A-46	\$3,034
020120T3H286TC	A-52	\$3,119
02012ST3HIE286T-W22	A-57,A-89	\$4,773
02012ST3QIE286TC-W22	A-60,A-92	\$4,973
02012ST3QIE286T-W22	A-57,A-89	\$4,773
02012XT3E286T	A-107	\$4,444
02012XT3H286T	A-107	\$4,444
02015EP30FP256T-W22	A-211	\$2,157
02018AT3ECT256TF1-W2	A-164	\$2,625
02018AT3ECT256T-W22	A-164	\$2,625
02018AT3HCT256TF1-W2	A-164	\$2,625
02018AT3HCT256T-W22	A-164	\$2,625
02018AT3PCT256TF1-W2	A-164	\$2,625
02018AT3PCT256T-W22	A-164	\$2,625
02018EG3E256T-W22	A-71	\$2,421
02018ET3E256HP-W22	A-213	\$2,721
02018ET3E256JM-S	A-184	\$2,857
02018ET3E256JM-SG	A-200	\$3,188
02018ET3E256JM-W22	A-184	\$2,857
02018ET3E256JP-S	A-188	\$2,908
02018ET3E256JP-SG	A-201	\$3,188
02018ET3E256JP-W22	A-188	\$2,908
02018ET3E256TC-SG	A-153	\$2,258
02018ET3E256TC-W22	A-38,A-85	\$2,270
02018ET3E256T-S	A-30	\$1,918
02018ET3E256T-SG	A-153	\$2,198
02018ET3E256T-W22	A-30,A-78	\$2,201
02018ET3EBM256T-W22	A-63,A-246	\$5,771
02018ET3ECT256TF1-W2	A-161	\$2,549
02018ET3ECT256T-W22	A-161	\$2,549
02018ET3EID256TC-W22	A-234	\$2,349
02018ET3EPM254/6Y	A-169	\$2,441
02018ET3ER256TC-S	A-41	\$1,978
02018ET3ER256TC-W22	A-41,A-86	\$2,338
02018ET3H256JM-S	A-184	\$2,857
02018ET3H256JM-SG	A-200	\$3,188
02018ET3H256JM-W22	A-184	\$2,857
02018ET3H256JP-S	A-188	\$2,908
02018ET3H256JP-W22	A-188	\$2,908
02018ET3H256TC-S	A-38	\$1,978
02018ET3H256TC-W22	A-38,A-85	\$2,270
02018ET3H256T-S	A-30	\$1,918
02018ET3H256T-SG	A-153	\$2,198
02018ET3H256T-W22	A-30,A-78	\$2,201
02018ET3HCT256TF1-W2	A-161	\$2,549
02018ET3HCT256T-W22	A-161	\$2,549
02018ET3P256T-W22	A-30,A-78	\$2,201
02018ET3PCT256TF1-W2	A-161	\$2,549
02018ET3PCT256T-W22	A-161	\$2,549
02018ET3V256JM-S	A-184	\$2,857
02018ET3V256JP-S	A-188	\$2,908

Catalog Number	Page	List Price
02018ET3V256T-SG	A-153	\$2,198
02018NT3FVD256TC-W22	A-237	\$3,747
02018OP3EFP256JJPV-S	A-209	\$2,205
02018OP3EFP256T	A-205	\$1,526
02018OT3E256JM	A-192	\$2,413
02018OT3E256JM-S	A-192	\$2,413
02018OT3E256JM-SG	A-202	\$2,693
02018OT3E256JMV	A-194	\$2,590
02018OT3E256JMV-S	A-194	\$2,580
02018OT3E256JP	A-196	\$2,413
02018OT3E256JP-S	A-196	\$2,413
02018OT3E256JP-SG	A-203	\$2,693
02018OT3E256JPV-S	A-198	\$2,580
02018OT3E256T	A-46	\$1,832
02018OT3E256TC	A-52	\$1,900
02018OT3E256TC-S	A-52	\$1,900
02018OT3E256TC-SG	A-157	\$2,180
02018OT3E256T-S	A-46,A-243	\$1,832
02018OT3E256T-SG	A-157	\$2,112
02018OT3ECD256T	A-243	\$1,869
02018OT3H256JM	A-192	\$2,413
02018OT3H256JM-S	A-192	\$2,413
02018OT3H256JM-SG	A-202	\$2,693
02018OT3H256JP	A-196	\$2,413
02018OT3H256JP-S	A-196	\$2,413
02018OT3H256T	A-46	\$1,832
02018OT3H256TC	A-52	\$1,900
02018OT3H256TC-S	A-52	\$1,900
02018OT3H256T-S	A-46	\$1,832
02018OT3H256T-SG	A-157	\$2,112
02018OT3P256T	A-46	\$1,832
02018OT3P256T-S	A-46	\$1,832
02018OT3V256TC	A-52	\$1,900
02018OT3V256TC-S	A-52	\$1,900
02018OT3V256TC-SG	A-157	\$2,180
02018OT3V256T-S	A-46	\$1,832
02018OT3V256T-SG	A-157	\$2,112
02018ST3HIE256T-W22	A-57,A-89	\$2,597
02018ST3QIE256TC-W22	A-60,A-92	\$2,717
02018ST3QIE256T-W22	A-57,A-89	\$2,597
02018XT3E256T	A-107	\$3,008
02018XT3E256TC	A-110	\$3,331
02018XT3ER256TC	A-111	\$3,391
02018XT3H256T	A-107	\$3,008
02018XT3H256TC	A-110	\$3,111
02026EP3OCT324V-W22	A-166	\$4,101
02030EP3OFP256T-W22	A-211	\$2,334
02036EG3E256T-W22	A-71	\$2,620
02036ET3E254HP-W22	A-213	\$2,738
02036ET3E256HP-W22	A-213	\$2,955
02036ET3E256JM-S	A-184	\$2,965
02036ET3E256JM-SG	A-200	\$3,298
02036ET3E256JM-W22	A-184	\$2,965
02036ET3E256JP-S	A-188	\$3,018
02036ET3E256JP-SG	A-201	\$3,298
02036ET3E256JP-W22	A-188	\$3,018
02036ET3E256TC-SG	A-153	\$2,416

Catalog Number	Page	List Price
02036ET3E256TC-W22	A-38,A-85	\$2,451
02036ET3E256T-S	A-30	\$2,076
02036ET3E256T-SG	A-153	\$2,356
02036ET3E256T-W22	A-30,A-78	\$2,382
02036ET3EBM256T-W22	A-63,A-246	\$5,768
02036ET3EPM254/6Y	A-169	\$2,260
02036ET3ER256TC-S	A-41	\$2,136
02036ET3ER256TC-W22	A-41,A-86	\$2,525
02036ET3H256JM-S	A-184	\$2,965
02036ET3H256JM-SG	A-200	\$3,298
02036ET3H256JM-W22	A-184	\$2,965
02036ET3H256JP-S	A-188	\$3,018
02036ET3H256JP-W22	A-188	\$3,018
02036ET3H256TC-S	A-38	\$2,136
02036ET3H256TC-W22	A-38,A-85	\$2,451
02036ET3H256T-S	A-30	\$2,076
02036ET3H256T-SG	A-153	\$2,356
02036ET3H256T-W22	A-30,A-78	\$2,382
02036ET3V256JM-S	A-184	\$2,965
02036OP3EFP254JMV-S	A-208	\$2,092
02036OP3EFP254JPV-S	A-209	\$2,092
02036OP3EFP254T	A-205	\$1,469
02036OP3EFP254TC	A-207	\$1,469
02036OP3EFP254TC-S	A-207	\$1,469
02036OP3HFP254JMV-S	A-208	\$2,092
02036OP3HFP254JPV-S	A-209	\$2,092
02036OP3HFP254TC	A-207	\$1,469
02036OP3HFP254TC-S	A-207	\$1,469
02036OP3VFP254JMV-S	A-208	\$2,092
02036OP3VFP254JPV-S	A-209	\$2,092
02036OP3VFP254TC	A-207	\$1,469
02036OP3VFP254TC-S	A-207	\$1,469
02036OT3E254JM	A-192	\$2,107
02036OT3E254JM-S	A-192	\$2,107
02036OT3E254JM-SG	A-202	\$2,387
02036OT3E254JMV	A-194	\$2,268
02036OT3E254JMV-S	A-194	\$2,205
02036OT3E254JP	A-196	\$2,106
02036OT3E254JP-S	A-196	\$2,106
02036OT3E254JP-SG	A-203	\$2,387
02036OT3E254JPV-S	A-198	\$2,204
02036OT3E254T	A-46	\$1,760
02036OT3E254TC	A-52	\$1,828
02036OT3E254TC-S	A-52	\$1,828
02036OT3E254TC-SG	A-157	\$2,108
02036OT3E254T-S	A-46,A-243	\$1,760
02036OT3E254T-SG	A-157	\$2,040
02036OT3ECD254T	A-243	\$1,795
02036OT3H254JM	A-192	\$2,107
02036OT3H254JM-S	A-192	\$2,107
02036OT3H254JM-SG	A-202	\$2,387
02036OT3H254JMV	A-194	\$2,268
02036OT3H254JMV-S	A-194	\$2,205
02036OT3H254JP	A-196	\$2,106
02036OT3H254JP-S	A-196	\$2,106
02036OT3H254JPV-S	A-198	\$2,204

Catalog Number	Page	List Price
020360T3H254T	A-46	\$1,760
020360T3H254TC	A-52	\$1,828
020360T3H254TC-S	A-52	\$1,828
020360T3H254T-S	A-46	\$1,760
020360T3V254JM	A-192	\$2,107
020360T3V254JM-S	A-192	\$2,107
020360T3V254JMV	A-194	\$2,268
020360T3V254JMV-S	A-194	\$2,205
020360T3V254JP	A-196	\$2,106
020360T3V254JP-S	A-196	\$2,106
020360T3V254JPV-S	A-198	\$2,204
02036ST3HIE256T-W22	A-57,A-89	\$2,957
02036ST3QIE256TC-W22	A-60,A-92	\$3,077
02036ST3QIE256T-W22	A-57,A-89	\$2,957
02036XT3E256T	A-107	\$3,083
02036XT3H256T	A-107	\$3,083
02089EP3HCT256VF1-W2	A-166	\$2,923
02089EP3HCT256V-W22	A-166	\$2,923
02089EP3PCT256VF1-W2	A-166	\$2,923
02089EP3PCT256V-W22	A-166	\$2,923
02089EP3PCT286V2F1-W	A-166	\$4,827
02089EP3PCT286V2-W22	A-166	\$4,827
02089EP3QCT256VF1-W2	A-166	\$2,923
02089EP3QCT256V-W22	A-166	\$2,923
02089EP3QCT286V2F1-W	A-166	\$4,827
02089EP3QCT286V2-W22	A-166	\$4,827
02209ET3Y225S/M-W22	A-68,A-100,A-219	\$7,506
02212ET3Y200L-W22	A-68,A-100,A-219	\$4,924
02218ET3Y180L-W22	A-68,A-100,A-219	\$3,225
02236ET3Y180M-W22	A-68,A-100,A-219	\$3,492
02509ET3E326T-W22	A-30,A-79	\$7,315
02509ET3H326T-W22	A-30,A-79	\$7,315
02509ST3QIE326TC-W22	A-60,A-92	\$9,063
02509ST3QIE326T-W22	A-57,A-89	\$8,838
02509XT3E326T	A-107	\$10,512
02512AT3ECT324TF1-W2	A-164	\$5,709
02512AT3HCT324TF1-W2	A-164	\$5,709
02512EG3E324T-W22	A-71	\$5,211
02512ES3EOW324T-W22	A-240	\$3,887
02512ET3E324JM-W22	A-184	\$5,546
02512ET3E324JP-W22	A-188	\$5,972
02512ET3E324TC-W22	A-38,A-85	\$4,858
02512ET3E324T-W22	A-30,A-79	\$4,737
02512ET3E324T-W22G	A-153	\$5,137
02512ET3ECT324T-W22	A-161	\$5,543
02512ET3EPM324/6Y-W2	A-169	\$5,353
02512ET3H324T-W22	A-30,A-79	\$4,737
02512ET3H324T-W22G	A-153	\$5,137
02512ET3PCT324T-W22	A-161	\$5,543
02512OS3EOW324T	A-240	\$3,247
02512OT3E324JM	A-192	\$4,306
02512OT3E324JP	A-196	\$4,306
02512OT3E324T	A-46	\$3,519
02512OT3E324T-G	A-157	\$3,919
02512ST3HIE324T-W22	A-57,A-89	\$5,211
02512ST3QIE324TC-W22	A-60,A-92	\$5,436

Catalog Number	Page	List Price
02512ST3QIE324T-W22	A-57,A-89	\$5,211
02512XT3E324T	A-107	\$5,375
02512XT3H324T	A-107	\$5,375
02515EP30FP284TS-W22	A-211	\$2,688
02518AT3ECT284TF1-W2	A-164	\$3,333
02518AT3ECT284T-W22	A-164	\$3,333
02518AT3HCT284TF1-W2	A-164	\$3,333
02518AT3HCT284T-W22	A-164	\$3,333
02518AT3PCT284TF1-W2	A-164	\$3,333
02518AT3PCT284T-W22	A-164	\$3,333
02518EG3E284T-W22	A-71	\$3,017
02518ET3E284HPH-W22	A-213	\$3,624
02518ET3E284HP-W22	A-213	\$3,624
02518ET3E284JM-W22	A-184	\$3,734
02518ET3E284JP-W22	A-188	\$3,797
02518ET3E284TC-W22	A-38,A-85	\$2,840
02518ET3E284TS-W22	A-30,A-79	\$2,743
02518ET3E284T-W22	A-30,A-79	\$2,743
02518ET3E284T-W22G	A-153	\$3,053
02518ET3EBM284T-W22	A-63,A-246	\$6,796
02518ET3ECT284TF1-W2	A-161	\$3,236
02518ET3ECT284T-W22	A-161	\$3,236
02518ET3EID284TC-W22	A-234	\$2,947
02518ET3EPM284/6Y-W2	A-169	\$3,071
02518ET3ER284TC-W22	A-41,A-86	\$2,925
02518ET3H284JM-W22	A-184	\$3,734
02518ET3H284JP-W22	A-188	\$3,797
02518ET3H284TC-W22	A-38,A-85	\$2,840
02518ET3H284T-W22	A-30,A-79	\$2,743
02518ET3H284T-W22G	A-153	\$3,053
02518ET3HCT284TF1-W2	A-161	\$3,236
02518ET3HCT284T-W22	A-161	\$3,236
02518ET3PCT284TF1-W2	A-161	\$3,236
02518ET3PCT284T-W22	A-161	\$3,236
02518ET3V284T-W22G	A-153	\$3,053
02518OP3EFP284JPV	A-209	\$2,768
02518OP3EFP284TS	A-205	\$1,799
02518OP3VFP284TS	A-205	\$1,799
02518OT3E284JM	A-192	\$2,912
02518OT3E284JMV	A-194	\$3,137
02518OT3E284JP	A-196	\$2,911
02518OT3E284JP-G	A-203	\$3,221
02518OT3E284JPV	A-198	\$3,137
02518OT3E284T	A-46	\$2,160
02518OT3E284TC	A-52	\$2,245
02518OT3E284TC-G	A-157	\$2,555
02518OT3E284T-G	A-157	\$2,470
02518OT3E284TS	A-46	\$2,160
02518OT3H284JM	A-192	\$2,912
02518OT3H284JP	A-196	\$2,911
02518OT3H284T	A-46	\$2,160
02518OT3H284TC	A-52	\$2,245
02518OT3H284T-G	A-157	\$2,470
02518OT3H284TS	A-46	\$2,159
02518OT3P284T	A-46	\$2,159
02518OT3V284TC	A-52	\$2,245
02518OT3V284T-G	A-157	\$2,470

Catalog Number	Page	List Price
02518ST3HIE284T-W22	A-57,A-89	\$2,926
02518ST3QIE284TC-W22	A-60,A-92	\$3,126
02518ST3QIE284T-W22	A-57,A-89	\$2,926
02518XT3E284T	A-107	\$3,886
02518XT3E284TC	A-110	\$4,262
02518XT3ER284TC	A-111	\$4,340
02518XT3H284T	A-107	\$3,886
02518XT3H284TC	A-110	\$4,262
02526EP3QCT326V-W22	A-166	\$6,222
02530EP30FP284TS-W22	A-211	\$2,938
02536EG3E284TS-W22	A-71	\$3,298
02536ET3E256HP-W22	A-213	\$3,336
02536ET3E256JM-S	A-184	\$3,231
02536ET3E256JM-W22	A-184	\$3,231
02536ET3E256JP-S	A-188	\$3,296
02536ET3E256JP-W22	A-188	\$3,296
02536ET3E256T-S	A-30	\$2,487
02536ET3E284HPH-W22	A-213	\$3,627
02536ET3E284HP-W22	A-213	\$3,627
02536ET3E284JM-W22	A-184	\$3,619
02536ET3E284JP-W22	A-188	\$3,679
02536ET3E284TSC-W22	A-38,A-85	\$3,096
02536ET3E284TS-W22	A-30,A-79	\$2,998
02536ET3E284TS-W22G	A-153	\$3,308
02536ET3ER284TSC-W22	A-41,A-86	\$3,187
02536ET3H256JM-S	A-184	\$3,231
02536ET3H256JM-W22	A-184	\$3,231
02536ET3H256JP-S	A-188	\$3,296
02536ET3H256JP-W22	A-188	\$3,296
02536ET3H284JM-W22	A-184	\$3,619
02536ET3H284JP-W22	A-188	\$3,679
02536ET3H284TSC-W22	A-38,A-85	\$3,096
02536ET3H284TS-W22	A-30,A-79	\$2,998
02536ET3H284TS-W22G	A-153	\$3,308
02536ET3V256JM-S	A-184	\$3,231
02536OP3EFP256JMV-S	A-208	\$2,352
02536OP3EFP256JPV-S	A-209	\$2,518
02536OP3EFP256T	A-205	\$1,783
02536OP3EFP256TC	A-207	\$1,783
02536OP3EFP256TC-S	A-207	\$1,783
02536OP3EFP256T-S	A-205	\$1,783
02536OP3HFP256JMV-S	A-208	\$2,352
02536OP3HFP256JPV-S	A-209	\$2,518
02536OP3HFP256T	A-205	\$1,783
02536OP3HFP256T-S	A-205	\$1,783
02536OP3VFP256JMV-S	A-208	\$2,352
02536OP3VFP256JPV-S	A-209	\$2,518
02536OP3VFP256TC	A-207	\$1,783
02536OP3VFP256TC-S	A-207	\$1,783
02536OP3VFP256T-S	A-205	\$1,783
02536OT3E256JM	A-192	\$2,598
02536OT3E256JM-S	A-192	\$2,598
02536OT3E256JM-SG	A-202	\$2,879
02536OT3E256JMV-S	A-194	\$2,696
02536OT3E256JP	A-196	\$2,599
02536OT3E256JP-S	A-196	\$2,599
02536OT3E256JP-SG	A-203	\$2,879

Catalog Number	Page	List Price
02536OT3E256JPV-S	A-198	\$2,697
02536OT3E256T	A-46	\$2,139
02536OT3E256TC	A-52	\$2,207
02536OT3E256TC-S	A-52	\$2,207
02536OT3E256TC-SG	A-157	\$2,487
02536OT3E256T-S	A-46,A-243	\$2,139
02536OT3E256T-SG	A-157	\$2,419
02536OT3ECD256T	A-243	\$2,182
02536OT3H256JM	A-192	\$2,598
02536OT3H256JM-S	A-192	\$2,598
02536OT3H256JM-SG	A-202	\$2,879
02536OT3H256JMV	A-194	\$2,774
02536OT3H256JMV-S	A-194	\$2,696
02536OT3H256JP	A-196	\$2,599
02536OT3H256JP-S	A-196	\$2,599
02536OT3H256JPV-S	A-198	\$2,697
02536OT3H256T	A-46	\$2,139
02536OT3H256TC	A-52	\$2,207
02536OT3H256TC-S	A-52	\$2,207
02536OT3H256T-S	A-46	\$2,139
02536OT3V256JMV	A-194	\$2,774
02536OT3V256JMV-S	A-194	\$2,696
02536OT3V256JP	A-196	\$2,599
02536OT3V256JP-S	A-196	\$2,599
02536OT3V256JPV-S	A-198	\$2,697
02536ST3HIE284TS-W22	A-57,A-89	\$3,368
02536ST3QIE284TSC-W2	A-60,A-92	\$3,568
02536ST3QIE284TS-W22	A-57,A-89	\$3,368
02536XT3E284TS	A-107	\$4,188
02536XT3H284TS	A-107	\$4,188
02589EP3HCT286VF1-W2	A-166	\$4,199
02589EP3PCT286V-W22	A-166	\$4,199
02589EP3PCT286VF1-W2	A-166	\$4,199
02589EP3PCT324V2F1-W	A-166	\$5,826
02589EP3PCT324V2-W22	A-166	\$5,826
02589EP3QCT286VF1-W2	A-166	\$4,199
02589EP3QCT286V-W22	A-166	\$4,199
02589EP3QCT324V2F1-W	A-166	\$5,826
02589EP3QCT324V2-W22	A-166	\$5,826
03009ET3E364T-W22	A-31,A-79	\$11,215
03009ET3Y250S/M-W22	A-69,A-100,A-220	\$8,858
03009ST3QIE364TC-W22	A-60,A-92	\$13,524
03009ST3QIE364T-W22	A-57,A-89	\$13,149
03009XT3E364T	A-107	\$15,071
03012AT3PCT326TF1-W2	A-164	\$6,246
03012EG3E326T-W22	A-71	\$5,800
03012ES3EOW326T-W22	A-240	\$4,515
03012ET3E326JM-W22	A-184	\$6,686
03012ET3E326JP-W22	A-188	\$6,690
03012ET3E326TC-W22	A-38,A-85	\$5,394
03012ET3E326T-W22	A-31,A-79	\$5,273
03012ET3E326T-W22G	A-154	\$5,673
03012ET3ECT326T-W22	A-162	\$6,064
03012ET3EPM324/6Y-W2	A-169	\$5,906

Catalog Number	Page	List Price
03012ET3ER326TSC-W22	A-41,A-86	\$5,768
03012ET3H326T-W22	A-31,A-79	\$5,273
03012ET3H326T-W22G	A-154	\$5,673
03012ET3PCT326T-W22	A-162	\$6,064
03012ET3Y225S/M-W22	A-69,A-100,A-220	\$7,689
03012OS3EOW326T	A-240	\$3,848
030120T3E326JM	A-192	\$4,741
030120T3E326JP	A-196	\$4,980
030120T3E326T	A-46	\$3,890
030120T3E326TC	A-52	\$3,990
030120T3E326T-G	A-158	\$4,290
030120T3H326T	A-46	\$3,890
03012ST3HIE326T-W22	A-57,A-89	\$5,359
03012ST3QIE326TC-W22	A-60,A-92	\$5,584
03012ST3QIE326T-W22	A-57,A-89	\$5,359
03012XT3E326T	A-107	\$6,196
03012XT3H326T	A-107	\$6,196
03015EP30FP286TS-W22	A-211	\$3,159
03018AT3ECT286TF1-W2	A-164	\$3,850
03018AT3ECT286T-W22	A-164	\$3,850
03018AT3HCT286TF1-W2	A-164	\$3,850
03018AT3HCT286T-W22	A-164	\$3,850
03018AT3PCT286TF1-W2	A-164	\$3,850
03018AT3PCT286T-W22	A-164	\$3,850
03018EG3E286T-W22	A-71	\$3,545
03018ET3E286HPH-W22	A-213	\$3,967
03018ET3E286HP-W22	A-213	\$3,967
03018ET3E286JM-W22	A-184	\$4,096
03018ET3E286JP-W22	A-188	\$4,167
03018ET3E286TC-W22	A-38,A-85	\$3,321
03018ET3E286TC-W22G	A-154	\$3,632
03018ET3E286TS-W22	A-31,A-79	\$3,223
03018ET3E286T-W22	A-31,A-79	\$3,223
03018ET3E286T-W22G	A-154	\$3,533
03018ET3EBM286T-W22	A-63,A-246	\$7,276
03018ET3ECT286TF1-W2	A-162	\$3,738
03018ET3ECT286T-W22	A-162	\$3,738
03018ET3EPM284/6Y-W2	A-169	\$3,610
03018ET3ER286TC-W22	A-41,A-86	\$3,421
03018ET3H286JM-W22	A-184	\$4,096
03018ET3H286JP-W22	A-188	\$4,167
03018ET3H286TC-W22	A-38,A-85	\$3,321
03018ET3H286T-W22	A-31,A-79	\$3,223
03018ET3H286T-W22G	A-154	\$3,533
03018ET3HCT286TF1-W2	A-162	\$3,738
03018ET3HCT286T-W22	A-162	\$3,738
03018ET3PCT286TF1-W2	A-162	\$3,738
03018ET3PCT286T-W22	A-162	\$3,738
03018ET3V286T-W22G	A-154	\$3,533
03018ET3Y200L-W22	A-69,A-100,A-220	\$4,312
030180P3EFP286JMV	A-208	\$3,175
030180P3EFP286JPV	A-209	\$3,224
030180P3EFP286TS	A-205	\$2,108
030180P3HFP286JMV	A-208	\$3,403
030180P3VFP286JPV	A-209	\$3,174
030180P3VFP286TS	A-205	\$2,108
030180T3E286JM	A-192	\$3,368
030180T3E286JP	A-196	\$3,367

Catalog Number	Page	List Price
030180T3E286JPV	A-198	\$3,609
030180T3E286T	A-46	\$2,530
030180T3E286TC	A-52	\$2,615
030180T3E286TC-G	A-158	\$2,925
030180T3E286T-G	A-158	\$2,840
030180T3E286TS	A-46	\$2,530
030180T3H286JM	A-192	\$3,368
030180T3H286JMV	A-194	\$3,610
030180T3H286JP	A-196	\$3,367
030180T3H286T	A-46	\$2,530
030180T3H286TC	A-52	\$2,615
030180T3H286T-G	A-158	\$2,840
030180T3H286TS	A-46	\$2,530
030180T3P286T	A-46	\$2,530
030180T3V286JP	A-196	\$3,367
030180T3V286TC	A-52	\$2,615
030180T3V286T-G	A-158	\$2,840
030180T3V286TS	A-46	\$2,590
03018ST3HIE286T-W22	A-57,A-89	\$3,509
03018ST3QIE286TC-W22	A-60,A-92	\$3,709
03018ST3QIE286T-W22	A-57,A-89	\$3,509
03018XT3E286T	A-107	\$4,296
03018XT3E286TC	A-111	\$4,672
03018XT3ER286TC	A-111	\$4,758
03018XT3H286T	A-107	\$4,296
03026EP30CT364V-W22	A-167	\$7,435
03030EP30FP286TS-W22	A-211	\$3,490
03036EG3E286TS-W22	A-71	\$3,917
03036ET3E284HP-W22	A-213	\$4,040
03036ET3E286HPH-W22	A-213	\$4,365
03036ET3E286HP-W22	A-213	\$4,365
03036ET3E286JM-W22	A-184	\$4,539
03036ET3E286JP-W22	A-188	\$4,614
03036ET3E286TSC-W22	A-38,A-85	\$3,659
03036ET3E286TS-W22	A-31,A-79	\$3,561
03036ET3E286TS-W22G	A-154	\$3,871
03036ET3ER286TSC-W22	A-41,A-86	\$3,767
03036ET3H286JM-W22	A-184	\$4,539
03036ET3H286JP-W22	A-188	\$4,614
03036ET3H286TSC-W22	A-38,A-85	\$3,659
03036ET3H286TS-W22	A-31,A-79	\$3,561
03036ET3H286TS-W22G	A-154	\$3,871
03036ET3Y200L-W22	A-69,A-100,A-220	\$4,877
030360P3EFP284JMV	A-208	\$2,954
030360P3EFP284JPV	A-209	\$3,082
030360P3EFP284TS	A-205	\$2,033
030360P3EFP284TSC	A-207	\$2,033
030360P3HFP284JMV	A-208	\$3,181
030360P3HFP284JPV	A-209	\$3,181
030360P3HFP284TS	A-205	\$2,033
030360P3VFP284JMV	A-208	\$2,954
030360P3VFP284JPV	A-209	\$3,082
030360P3VFP284TS	A-205	\$2,033
030360P3VFP284TSC	A-207	\$2,033
030360T3E284JM	A-192	\$3,185
030360T3E284JP	A-196	\$3,185
030360T3E284JPV	A-198	\$3,422
030360T3E284TS	A-46	\$2,487

Catalog Number	Page	List Price
030360T3E284TSC	A-52	\$2,572
030360T3E284TS-G	A-158	\$2,797
030360T3H284JM	A-192	\$3,185
030360T3H284JMV	A-194	\$3,422
030360T3H284JP	A-196	\$3,185
030360T3H284JPV	A-198	\$3,422
030360T3H284TS	A-46	\$2,487
030360T3H284TSC	A-52	\$2,572
030360T3V284JM	A-192	\$3,185
030360T3V284JP	A-196	\$3,185
030360T3V284JPV	A-198	\$3,422
030360T3V284TS	A-46	\$2,487
030360T3V284TSC	A-52	\$2,572
03036ST3HIE286TS-W22	A-57,A-89	\$3,799
03036ST3QIE286TSC-W2	A-60,A-92	\$3,999
03036ST3QIE286TS-W22	A-57,A-89	\$3,799
03036XT3E286TS	A-107	\$4,262
03036XT3H286TS	A-107	\$4,262
03089EP3HCT324VF1-W2	A-167	\$4,725
03089EP3HCT324V-W22	A-167	\$4,725
03089EP3PCT324VF1-W2	A-167	\$4,725
03089EP3PCT324V-W22	A-167	\$4,725
03089EP3PCT326V2F1-W	A-167	\$6,995
03089EP3PCT326V2-W22	A-167	\$6,995
03089EP3QCT324VF1-W2	A-167	\$4,725
03089EP3QCT324V-W22	A-167	\$4,725
03089EP3QCT326V2F1-W	A-167	\$6,995
03089EP3QCT326V2-W22	A-167	\$6,995
03709ET3Y280S/M-W22	A-69,A-100,A-220	\$11,751
03712ET3Y250S/M-W22	A-69,A-100,A-220	\$9,947
03718ET3Y225S/M-W22	A-69,A-100,A-220	\$6,984
03736ET3Y200L-W22	A-69,A-100,A-220	\$5,487
04009ET3E365T-W22	A-31,A-79	\$12,194
04009ST3QIE365TC-W22	A-61,A-93	\$15,284
04009ST3QIE365T-W22	A-57,A-89	\$14,909
04009XT3E365T	A-108	\$15,505
04012EG3E364T-W22	A-71	\$8,012
04012ES3EOW365T-W22	A-240	\$6,290
04012ET3E364JM-W22	A-185	\$8,807
04012ET3E364JP-W22	A-188	\$9,268
04012ET3E364TC-W22	A-38,A-85	\$7,576
04012ET3E364T-W22	A-31,A-79	\$7,284
04012ET3E364T-W22G	A-154	\$8,124
04012ET3ECT364T-W22	A-162	\$8,376
04012ET3EPM364/5Y	A-169	\$8,084
04012ET3H364T-W22	A-31,A-79	\$7,284
04012ET3H364T-W22G	A-154	\$8,124
04012ET3PCT364T-W22	A-162	\$8,376
04012OS3EOW365T	A-240	\$5,277
04012OT3E364JM	A-193	\$6,696
04012OT3E364JP	A-196	\$7,444
04012OT3E364T	A-46	\$5,544
04012OT3E364TC	A-52	\$5,938
04012OT3E364T-G	A-158	\$6,384
04012OT3H364T	A-46	\$5,544
04012ST3HIE364T-W22	A-57,A-89	\$8,636
04012ST3QIE364TC-W22	A-61,A-93	\$9,011
04012ST3QIE364T-W22	A-57,A-89	\$8,636

Catalog Number	Page	List Price
04012XT3E364T	A-108	\$10,576
04012XT3H364T	A-108	\$10,576
04015EP30FP324TS-W22	A-211	\$3,969
04018AT3ECT324TF1-W2	A-164	\$4,949
04018AT3ECT324T-W22	A-164	\$4,949
04018AT3HCT324TF1-W2	A-164	\$4,949
04018AT3HCT324T-W22	A-164	\$4,949
04018AT3PCT324TF1-W2	A-164	\$4,949
04018AT3PCT324T-W22	A-164	\$4,949
04018EG3E324T-W22	A-71	\$4,596
04018ET3E324HP-W22	A-213	\$5,247
04018ET3E324JM-W22	A-185	\$5,316
04018ET3E324JP-W22	A-188	\$5,413
04018ET3E324TC-W22	A-38,A-85	\$4,300
04018ET3E324TSC-W22	A-38,A-85	\$4,300
04018ET3E324TS-W22	A-31,A-79	\$4,178
04018ET3E324T-W22	A-31,A-79	\$4,178
04018ET3E324T-W22G	A-154	\$4,578
04018ET3ECT324TF1-W2	A-162	\$4,805
04018ET3ECT324T-W22	A-162	\$4,805
04018ET3EPM324/6Y-W2	A-169	\$4,638
04018ET3ER324TC-W22	A-41,A-86	\$4,429
04018ET3H324JM-W22	A-185	\$5,316
04018ET3H324JP-W22	A-188	\$5,413
04018ET3H324TC-W22	A-38,A-85	\$4,300
04018ET3H324T-W22	A-31,A-79	\$4,178
04018ET3H324T-W22G	A-154	\$4,578
04018ET3HCT324TF1-W2	A-162	\$4,805
04018ET3HCT324T-W22	A-162	\$4,805
04018ET3PCT324TF1-W2	A-162	\$4,805
04018ET3PCT324T-W22	A-162	\$4,805
04018ET3V324T-W22G	A-154	\$4,578
040180P3EFP324JMV	A-208	\$3,621
040180P3EFP324JPV	A-209	\$3,987
040180P3EFP324TC	A-207	\$2,752
040180P3EFP324TS	A-205	\$2,652
040180P3HFP324JMV	A-208	\$3,621
040180P3HFP324JPV	A-209	\$3,621
040180P3HFP324TS	A-205	\$2,652
040180P3VFP324JPV	A-209	\$3,987
040180P3VFP324TS	A-205	\$2,652
040180T3E324JM	A-193	\$3,797
040180T3E324JMV	A-194	\$4,431
040180T3E324JP	A-196	\$3,797
040180T3E324JPV	A-198	\$4,077
040180T3E324T	A-46	\$3,095
040180T3E324TC	A-52	\$3,195
040180T3E324TC-G	A-158	\$3,595
040180T3E324T-G	A-158	\$3,495
040180T3E324TS	A-46	\$3,095
040180T3E324TSC	A-52	\$3,195
040180T3E324TS-G	A-158	\$3,372
040180T3H324JM	A-193	\$3,797
040180T3H324JP	A-196	\$3,797
040180T3H324T	A-46	\$3,095
040180T3H324TC	A-52	\$3,195
040180T3H324T-G	A-158	\$3,495

Catalog Number	Page	List Price
040180T3H324TS	A-46	\$3,095
040180T3P324T	A-46	\$3,095
040180T3V324JP	A-196	\$3,797
040180T3V324JPV	A-198	\$4,077
040180T3V324T-G	A-158	\$3,495
040180T3V324TS	A-46	\$3,095
04018ST3HIE324T-W22	A-57,A-89	\$4,692
04018ST3QIE324TC-W22	A-61,A-93	\$4,917
04018ST3QIE324T-W22	A-57,A-89	\$4,692
04018XT3E324T	A-108	\$5,380
04018XT3E324TC	A-111	\$5,919
04018XT3ER324TC	A-111	\$6,027
04018XT3H324T	A-108	\$5,380
04026EP3QCT365VF1-W2	A-167	\$9,302
04026EP3QCT365V-W22	A-167	\$9,302
04030EP30FP324TS-W22	A-211	\$4,489
04036EG3E324TS-W22	A-71	\$5,198
04036ET3E286HP-W22	A-213	\$5,160
04036ET3E286JM-W22	A-185	\$5,368
04036ET3E286JP-W22	A-188	\$5,475
04036ET3E324HP-W22	A-213	\$5,457
04036ET3E324JM-W22	A-185	\$5,534
04036ET3E324JP-W22	A-188	\$5,628
04036ET3E324TSC-W22	A-38,A-85	\$4,845
04036ET3E324TS-W22	A-31,A-79	\$4,725
04036ET3E324TS-W22G	A-154	\$5,125
04036ET3ER324TSC-W22	A-41,A-86	\$4,988
04036ET3H286JM-W22	A-185	\$5,368
04036ET3H286JP-W22	A-188	\$5,475
04036ET3H324JM-W22	A-185	\$5,534
04036ET3H324JP-W22	A-188	\$5,628
04036ET3H324TSC-W22	A-38,A-85	\$4,845
04036ET3H324TS-W22	A-31,A-79	\$4,725
04036ET3H324TS-W22G	A-154	\$5,125
040360P3EFP286JMV	A-208	\$3,611
040360P3EFP286JPV	A-209	\$3,611
040360P3EFP286TS	A-205	\$2,757
040360P3EFP286TSC	A-207	\$2,757
040360P3HFP286JMV	A-208	\$3,611
040360P3HFP286JPV	A-209	\$3,499
040360P3HFP286TS	A-205	\$2,757
040360P3HFP286TSC	A-207	\$2,757
040360P3VFP286JMV	A-208	\$3,611
040360P3VFP286JPV	A-209	\$3,611
040360P3VFP286TS	A-205	\$2,757
040360P3VFP286TSC	A-207	\$2,757
040360T3E286JM	A-193	\$3,811
040360T3E286JMV	A-194	\$4,066
040360T3E286JP	A-196	\$3,811
040360T3E286JPV	A-198	\$4,066
040360T3E286TS	A-46	\$3,308
040360T3E286TSC	A-52	\$3,393
040360T3E286TS-G	A-158	\$3,618
040360T3H286JM	A-193	\$3,811
040360T3H286JMV	A-194	\$4,066
040360T3H286JP	A-196	\$3,811
040360T3H286TS	A-46	\$3,308
040360T3H286TSC	A-52	\$3,393

Catalog Number	Page	List Price
040360T3V286JP	A-196	\$3,811
040360T3V286JPV	A-198	\$4,066
040360T3V286TS	A-46	\$3,308
04036ST3HIE324TS-W22	A-57,A-89	\$5,306
04036ST3QIE324TSC-W2	A-61,A-93	\$5,531
04036ST3QIE324TS-W22	A-57,A-89	\$5,306
04036XT3E324TS	A-108	\$5,583
04036XT3H324TS	A-108	\$5,583
04089EP3HCT326VF1-W2	A-167	\$5,464
04089EP3HCT326V-W22	A-167	\$5,464
04089EP3PCT326VF1-W2	A-167	\$5,464
04089EP3PCT326V-W22	A-167	\$5,464
04089EP3PCT364V2F1-W	A-167	\$8,720
04089EP3PCT364V2-W22	A-167	\$8,720
04089EP3QCT326VF1-W2	A-167	\$5,464
04089EP3QCT326V-W22	A-167	\$5,464
04089EP3QCT364V2F1-W	A-167	\$8,720
04089EP3QCT364V2-W22	A-167	\$8,720
04509ET3Y280S/M-W22	A-69,A-100,A-220	\$12,815
04512ET3Y280S/M-W22	A-69,A-100,A-220	\$11,023
04518ET3Y225S/M-W22	A-69,A-100,A-220	\$7,391
04536ET3Y225S/M-W22	A-69,A-100,A-220	\$7,961
05009ET3E404T-W22	A-31,A-79	\$17,648
05009ET3EKD404T-W22	A-96	\$17,648
05009ST3QIE404TC-W22	A-61,A-93	\$19,856
05009ST3QIE404T-W22	A-58,A-90	\$19,331
05009XT3E404T	A-108	\$22,443
05012EG3E365T-W22	A-71	\$9,370
05012ES3E0W404T-W22	A-240	\$8,172
05012ET3E365JM-W22	A-185	\$10,551
05012ET3E365JP-W22	A-188	\$10,748
05012ET3E365TC-W22	A-38,A-85	\$8,960
05012ET3E365T-W22	A-31,A-79	\$8,518
05012ET3E365T-W22G	A-154	\$9,358
05012ET3ECT365T-W22	A-162	\$9,625
05012ET3H365T-W22	A-31,A-79	\$8,518
05012ET3H365T-W22G	A-154	\$9,358
05012ET3PCT365T-W22	A-162	\$9,625
050120S3E0W405T	A-240	\$6,834
050120T3E365JM	A-193	\$7,666
050120T3E365JP	A-197	\$7,666
050120T3E365T	A-47	\$6,392
050120T3E365TC	A-52	\$6,786
050120T3E365T-G	A-158	\$7,232
05012ST3HIE365T-W22	A-58,A-90	\$9,369
05012ST3QIE365TC-W22	A-61,A-93	\$9,744
05012ST3QIE365T-W22	A-58,A-90	\$9,369
05012XT3E365T	A-108	\$10,597
05012XT3H365T	A-108	\$10,597
05015EP30FP326TS-W22	A-211	\$4,845
05018AT3ECT326T-W22	A-164	\$6,041
05018AT3HCT326T-W22	A-164	\$6,041
05018AT3PCT326T-W22	A-164	\$6,041
05018EG3E326T-W22	A-71	\$5,610
05018ET3E326HP-W22	A-213	\$6,009
05018ET3E326JM-W22	A-185	\$6,513
05018ET3E326JP-W22	A-188	\$6,624
05018ET3E326JP-W22G	A-201	\$7,024

Catalog Number	Page	List Price
05018ET3E326TC-W22	A-38,A-85	\$5,221
05018ET3E326TSC-W22	A-38,A-85	\$5,221
05018ET3E326TS-W22	A-31,A-79	\$5,100
05018ET3E326T-W22	A-31,A-79	\$5,100
05018ET3E326T-W22G	A-154	\$5,500
05018ET3ECT326TF1-W2	A-162	\$5,865
05018ET3ECT326T-W22	A-162	\$5,865
05018ET3EPM324/6Y-W2	A-169	\$5,661
05018ET3ER326TC-W22	A-41,A-86	\$5,378
05018ET3H326JM-W22	A-185	\$6,513
05018ET3H326JP-W22	A-188	\$6,624
05018ET3H326TC-W22	A-38,A-85	\$5,221
05018ET3H326T-W22	A-31,A-79	\$5,100
05018ET3H326T-W22G	A-154	\$5,500
05018ET3HCT326TF1-W2	A-162	\$5,865
05018ET3HCT326T-W22	A-162	\$5,865
05018ET3PCT326T-W22	A-162	\$5,865
05018ET3V326T-W22G	A-154	\$5,500
05018OP3EFP326JMV	A-208	\$4,393
05018OP3EFP326JPV	A-209	\$4,500
05018OP3EFP326TC	A-207	\$3,135
05018OP3EFP326TS	A-205	\$3,015
05018OP3HFP326JMV	A-208	\$4,527
05018OP3HFP326JPV	A-209	\$4,394
05018OP3VFP326JPV	A-209	\$4,500
05018OP3VFP326TS	A-205	\$3,015
05018OT3E326JM	A-193	\$4,877
05018OT3E326JP	A-197	\$4,878
05018OT3E326JPV	A-198	\$5,190
05018OT3E326T	A-47	\$3,788
05018OT3E326TC	A-52	\$3,888
05018OT3E326TC-G	A-158	\$4,288
05018OT3E326T-G	A-158	\$4,188
05018OT3E326TS	A-47	\$3,788
05018OT3E326TSC	A-52	\$3,888
05018OT3G326TS	A-47	\$3,788
05018OT3H326JM	A-193	\$4,877
05018OT3H326JMV	A-194	\$5,189
05018OT3H326JP	A-197	\$4,878
05018OT3H326T	A-47	\$3,788
05018OT3H326TC	A-52	\$3,888
05018OT3H326T-G	A-158	\$4,188
05018OT3H326TS	A-47	\$3,788
05018OT3P326T	A-47	\$3,788
05018OT3V326JPV	A-198	\$5,190
05018OT3V326T-G	A-158	\$4,188
05018OT3V326TS	A-47	\$3,788
05018ST3HIE326T-W22	A-58,A-90	\$5,233
05018ST3QIE326TC-W22	A-61,A-93	\$5,458
05018ST3QIE326T-W22	A-58,A-90	\$5,233
05018XT3E326T	A-108	\$6,545
05018XT3E326TC	A-111	\$7,084
05018XT3ER326TC	A-111	\$7,215
05018XT3H326T	A-108	\$6,545
05026EP3QCT365VF1-W2	A-167	\$11,051
05026EP3QCT365V-W22	A-167	\$11,051
05030EP30FP326TS-W22	A-211	\$5,050
05036EG3E326TS-W22	A-71	\$5,848

Catalog Number	Page	List Price
05036ET3E324HP-W22	A-213	\$6,461
05036ET3E326HP-W22	A-213	\$6,681
05036ET3E326JM-W22	A-185	\$6,622
05036ET3E326JP-W22	A-188	\$6,733
05036ET3E326TSC-W22	A-38,A-85	\$5,437
05036ET3E326TS-W22	A-31,A-79	\$5,316
05036ET3E326TS-W22G	A-154	\$5,716
05036ET3H326JP-W22	A-188	\$6,733
05036ET3H326TS-W22	A-31,A-79	\$5,316
05036ET3H326TS-W22G	A-154	\$5,716
05036OP3EFP324JMV	A-208	\$4,394
05036OP3EFP324JPV	A-209	\$4,372
05036OP3EFP324TS	A-205	\$3,184
05036OP3EFP324TSC	A-207	\$3,184
05036OP3HFP324JMV	A-208	\$4,394
05036OP3HFP324JPV	A-209	\$4,372
05036OP3HFP324TS	A-205	\$3,184
05036OP3VFP324JMV	A-208	\$4,664
05036OP3VFP324JPV	A-209	\$4,372
05036OP3VFP324TS	A-205	\$3,184
05036OP3VFP324TSC	A-207	\$3,184
05036OT3E324JM	A-193	\$4,607
05036OT3E324JMV	A-194	\$4,911
05036OT3E324JP	A-197	\$4,607
05036OT3E324JPV	A-198	\$4,911
05036OT3E324TS	A-47	\$3,820
05036OT3E324TSC	A-52	\$3,920
05036OT3E324TSC-G	A-158	\$4,197
05036OT3E324TS-G	A-158	\$4,097
05036OT3G324JM	A-193	\$4,607
05036OT3G324JP	A-197	\$4,607
05036OT3H324JM	A-193	\$4,607
05036OT3H324JMV	A-194	\$4,911
05036OT3H324JP	A-197	\$4,607
05036OT3H324JPV	A-198	\$4,911
05036OT3H324TS	A-47	\$3,820
05036OT3H324TSC	A-52	\$3,920
05036OT3V324JMV	A-194	\$4,911
05036OT3V324JP	A-197	\$4,607
05036OT3V324JPV	A-198	\$4,911
05036OT3V324TS	A-47	\$3,820
05036ST3HIE326TS-W22	A-58,A-90	\$5,970
05036ST3QIE326TSC-W2	A-61,A-93	\$6,195
05036ST3QIE326TS-W22	A-58,A-90	\$5,970
05036XT3E326TS	A-108	\$6,582
05036XT3H326TS	A-108	\$6,582
05089EP3HCT364VF1-W2	A-167	\$7,526
05089EP3HCT364V-W22	A-167	\$7,526
05089EP3PCT364VF1-W2	A-167	\$7,526
05089EP3PCT364V-W22	A-167	\$7,526
05089EP3PCT365V2F1-W	A-167	\$11,093
05089EP3PCT365V2-W22	A-167	\$11,093
05089EP3QCT364VF1-W2	A-167	\$7,526
05089EP3QCT364V-W22	A-167	\$7,526
05089EP3QCT365V2F1-W	A-167	\$11,093
05089EP3QCT365V2-W22	A-167	\$11,093
05509ET3Y315S/M-W22	A-69,A-100,A-220	\$15,379
05512ET3Y280S/M-W22	A-69,A-100,A-220	\$13,622

Catalog Number	Page	List Price
05518ET3Y250S/M-W22	A-69,A-100,A-220	\$8,961
05536ET3Y250S/M-W22	A-69,A-100,A-220	\$9,847
06009ET3E405T-W22	A-31,A-79	\$20,443
06009ET3EKD405T-W22	A-96	\$20,443
06009ST3QIE405T-W22	A-58,A-90	\$22,579
06009XT3E405T	A-108	\$26,900
06012EG3E404T-W22	A-71	\$11,547
06012ES3EOW405T-W22	A-240	\$9,414
06012ET3E404JP-W22	A-188	\$12,444
06012ET3E404T-W22	A-31,A-79	\$10,497
06012ET3E404T-W22G	A-154	\$11,697
06012ET3ECT404T-W22	A-162	\$11,861
06012ET3ERB404T-W22	A-31,A-79,A-96	\$10,497
06012ET3G404T-W22	A-31,A-79	\$10,497
06012ET3H404T-W22	A-31,A-79	\$10,497
06012ET3H404T-W22G	A-154	\$11,697
06012ET3PCT404T-W22	A-162	\$11,861
06012OS3EOW405T	A-240	\$7,495
06012OT3E404JP	A-197	\$9,462
06012OT3E404T	A-47	\$7,562
06012OT3E404T-G	A-158	\$8,762
06012ST3HIE404T-W22	A-58,A-90	\$11,790
06012ST3QIE404TC-W22	A-61,A-93	\$12,315
06012ST3QIE404T-W22	A-58,A-90	\$11,790
06012XT3E404T	A-108	\$13,196
06012XT3H404T	A-108	\$13,196
06015EP30FP364TS-W22	A-211	\$7,020
06018AT3ECT364T-W22	A-164	\$8,752
06018EG3E364T-W22	A-71	\$8,128
06018ET3E364HP-W22	A-213	\$8,525
06018ET3E364JM-W22	A-185	\$8,912
06018ET3E364JP-W22	A-188	\$9,619
06018ET3E364TC-W22	A-39,A-85	\$7,831
06018ET3E364TS-W22	A-31,A-79	\$7,389
06018ET3E364T-W22	A-31,A-79	\$7,389
06018ET3E364T-W22G	A-154	\$8,229
06018ET3ECT364TF1-W2	A-162	\$8,497
06018ET3ECT364T-W22	A-162	\$8,497
06018ET3ER364TC-W22	A-41,A-86	\$8,053
06018ET3G364T-W22	A-31,A-79	\$7,389
06018ET3H364JM-W22	A-185	\$8,912
06018ET3H364JP-W22	A-188	\$9,619
06018ET3H364TC-W22	A-39,A-85	\$7,831
06018ET3H364T-W22	A-31,A-79	\$7,389
06018ET3H364T-W22G	A-154	\$8,229
06018ET3HCT364TF1-W2	A-162	\$8,497
06018ET3HCT364T-W22	A-162	\$8,497
06018ET3PCT364T-W22	A-162	\$8,497
06018OP3EFP364JPV	A-209	\$6,142
06018OP3EFP364TS	A-205	\$3,703
06018OP3HFP364TS	A-205	\$3,703
06018OP3VFP364JPV	A-209	\$6,142
06018OP3VFP364TS	A-205	\$3,703
06018OT3E364JM	A-193	\$5,994
06018OT3E364JP	A-197	\$5,994
06018OT3E364JPV	A-199	\$6,365
06018OT3E364T	A-47	\$4,443
06018OT3E364TC	A-52	\$4,837

Catalog Number	Page	List Price
06018OT3E364TC-G	A-158	\$5,677
06018OT3E364T-G	A-158	\$5,283
06018OT3E364TS	A-47	\$4,443
06018OT3G364JM	A-193	\$5,994
06018OT3G364JP	A-197	\$5,994
06018OT3G364T	A-47	\$4,443
06018OT3G364TS	A-47	\$4,443
06018OT3H364JM	A-193	\$5,994
06018OT3H364JP	A-197	\$5,994
06018OT3H364T	A-47	\$4,443
06018OT3H364TC	A-52	\$4,837
06018OT3H364T-G	A-158	\$5,283
06018OT3H364TS	A-47	\$4,443
06018OT3V364JPV	A-199	\$6,365
06018OT3V364TS	A-47	\$4,443
06018ST3HIE364T-W22	A-58,A-90	\$8,044
06018ST3QIE364T-W22	A-58,A-90	\$8,044
06018XT3E364T	A-108	\$10,460
06018XT3E364TC	A-111	\$11,116
06018XT3H364T	A-108	\$10,460
06030EP30FP364TS-W22	A-211	\$7,174
06036EG3E364TS-W22	A-71	\$8,307
06036ET3E326HP-W22	A-213	\$8,632
06036ET3E326JM-W22	A-185	\$7,699
06036ET3E326JP-W22	A-188	\$7,853
06036ET3E364HP-W22	A-213	\$9,484
06036ET3E364JM-W22	A-185	\$8,261
06036ET3E364JP-W22	A-188	\$10,252
06036ET3E364TSC-W22	A-39,A-85	\$7,994
06036ET3E364TS-W22	A-31,A-79	\$7,552
06036ET3E364TS-W22G	A-154	\$8,392
06036ET3G364TS-W22	A-31,A-79	\$7,552
06036ET3H364JM-W22	A-185	\$8,261
06036ET3H364JP-W22	A-188	\$10,252
06036ET3H364TSC-W22	A-39,A-85	\$7,994
06036ET3H364TS-W22	A-31,A-79	\$7,552
06036ET3H364TS-W22G	A-154	\$8,392
06036OP3EFP326JMV	A-208	\$5,171
06036OP3EFP326JPV	A-209	\$5,105
06036OP3EFP326TS	A-205	\$4,008
06036OP3EFP326TSC	A-207	\$4,448
06036OP3HFP326JMV	A-208	\$5,305
06036OP3HFP326JPV	A-209	\$7,233
06036OP3HFP326TS	A-205	\$4,008
06036OP3VFP326JMV	A-208	\$5,171
06036OP3VFP326JPV	A-209	\$5,105
06036OP3VFP326TS	A-205	\$4,008
06036OT3E326JM	A-193	\$5,432
06036OT3E326JP	A-197	\$5,432
06036OT3E326JPV	A-199	\$5,761
06036OT3E326TS	A-47	\$4,581
06036OT3E326TSC	A-52	\$4,681
06036OT3E326TS-G	A-158	\$4,858
06036OT3G326JM	A-193	\$5,432
06036OT3G326JP	A-197	\$5,432
06036OT3G326TS	A-47	\$4,581
06036OT3H326JM	A-193	\$5,432
06036OT3H326JMV	A-194	\$5,761

Catalog Number	Page	List Price
060360T3H326JP	A-197	\$5,432
060360T3H326TS	A-47	\$4,581
060360T3V326JP	A-197	\$5,432
060360T3V326JPV	A-199	\$5,761
060360T3V326TS	A-47	\$4,581
06036ST3HIE364TS-W22	A-58,A-90	\$8,665
06036ST3QIE364TS-W22	A-58,A-90	\$8,665
06036XT3E364TS	A-108	\$9,988
06036XT3H364TS	A-108	\$9,988
06089EP3PCT365VF1-W2	A-167	\$11,068
06089EP3PCT365V-W22	A-167	\$11,068
06089EP3QCT365VF1-W2	A-167	\$11,068
06089EP3QCT365V-W22	A-167	\$11,068
07509ET3E444T-W22	A-32,A-80	\$23,334
07509ET3GKD444T-W22	A-96	\$23,334
07509ET3QRB444TF2-W2	A-80,A-96	\$23,334
07509ET3Y315S/M-W22	A-69,A-100,A-220	\$18,647
07509ST3QIE444T-W22	A-58,A-90	\$23,457
07509XT3E444T	A-108	\$29,094
07512EG3E405T-W22	A-71	\$13,264
07512ES3E0W444T-W22	A-240	\$14,976
07512ET3E405JP-W22	A-189	\$14,005
07512ET3E405T-W22	A-32,A-80	\$12,058
07512ET3E405T-W22G	A-154	\$13,258
07512ET3ECT405T-W22	A-162	\$13,626
07512ET3ERB405T-W22	A-32,A-80,A-96	\$12,058
07512ET3G405T-W22	A-32,A-80	\$12,058
07512ET3GRB405T-W22	A-32,A-80,A-96	\$12,058
07512ET3H405TC-W22	A-39,A-85	\$12,549
07512ET3H405T-W22	A-32,A-80	\$12,058
07512ET3H405T-W22G	A-154	\$13,258
07512ET3PCT405T-W22	A-162	\$13,626
07512ET3Y315S/M-W22	A-69,A-100,A-220	\$16,479
07512OS3E0W445T	A-240	\$12,308
07512OT3E405JP	A-197	\$9,762
07512OT3E405T	A-47	\$8,358
07512OT3E405T-G	A-158	\$9,558
07512ST3HIE405T-W22	A-58,A-90	\$12,866
07512ST3QIE405T-W22	A-58,A-90	\$12,866
07512ST3QIERB405T-W2	A-58,A-90	\$12,866
07512XT3E405T	A-108	\$13,836
07515EP30FP365TS-W22	A-211	\$8,270
07518AT3ECT365T-W22	A-164	\$10,222
07518EG3E365T-W22	A-71	\$9,576
07518ET3E365HP-W22	A-213	\$9,352
07518ET3E365JM-W22	A-185	\$10,057
07518ET3E365JP-W22	A-189	\$10,235
07518ET3E365TC-W22	A-39,A-85	\$9,148
07518ET3E365TS-W22	A-32,A-80	\$8,705
07518ET3E365T-W22	A-32,A-80	\$8,705
07518ET3E365T-W22G	A-154	\$9,545
07518ET3ECT365TF1-W2	A-162	\$9,924
07518ET3ECT365T-W22	A-162	\$9,924
07518ET3ER365TC-W22	A-41,A-86	\$9,408
07518ET3G365T-W22	A-32,A-80	\$8,705
07518ET3H365JM-W22	A-185	\$10,057
07518ET3H365JP-W22	A-189	\$10,235
07518ET3H365TC-W22	A-39,A-85	\$9,148

Catalog Number	Page	List Price
07518ET3H365T-W22	A-32,A-80	\$8,705
07518ET3H365T-W22G	A-154	\$9,545
07518ET3HCT365T-W22	A-162	\$9,924
07518ET3PCT365T-W22	A-162	\$9,924
07518ET3Y280S/M-W22	A-69,A-100,A-220	\$12,353
075180P3EFP365JPV	A-210	\$6,967
075180P3EFP365TC	A-207	\$5,109
075180P3EFP365TS	A-205	\$4,715
075180P3HFP365TS	A-205	\$4,715
075180P3VFP365JPV	A-210	\$6,967
075180P3VFP365TS	A-205	\$4,715
075180T3E365JM	A-193	\$6,932
075180T3E365JP	A-197	\$6,932
075180T3E365JPV	A-199	\$7,331
075180T3E365T	A-47	\$5,658
075180T3E365TC	A-52	\$6,052
075180T3E365TC-G	A-158	\$6,892
075180T3E365T-G	A-158	\$6,498
075180T3E365TS	A-47	\$5,658
075180T3G365JM	A-193	\$6,932
075180T3G365JP	A-197	\$6,932
075180T3G365T	A-47	\$5,658
075180T3G365TS	A-47	\$5,658
075180T3H365JM	A-193	\$6,932
075180T3H365JP	A-197	\$6,932
075180T3H365T	A-47	\$5,658
075180T3H365TC	A-52	\$6,052
075180T3H365T-G	A-158	\$6,498
075180T3H365TS	A-47	\$5,658
075180T3V365JPV	A-199	\$7,331
075180T3V365TS	A-47	\$5,658
07518ST3HIE365T-W22	A-58,A-90	\$9,289
07518ST3QIE365T-W22	A-58,A-90	\$9,289
07518XT3E365T	A-108	\$11,125
07518XT3E365TC	A-111	\$11,781
07518XT3H365T	A-108	\$11,125
07530EP30FP365TS-W22	A-211	\$8,636
07536EG3E365TS-W22	A-71	\$10,000
07536ET3E365HP-W22	A-213	\$10,977
07536ET3E365JM-W22	A-185	\$11,124
07536ET3E365JP-W22	A-189	\$11,321
07536ET3E365TSC-W22	A-39,A-85	\$9,533
07536ET3E365TS-W22	A-32,A-80	\$9,091
07536ET3E365TS-W22G	A-154	\$9,931
07536ET3G365JP-W22	A-189	\$11,321
07536ET3G365TS-W22	A-32,A-80	\$9,091
07536ET3H365JM-W22	A-185	\$11,124
07536ET3H365JP-W22	A-189	\$11,321
07536ET3H365TS-W22	A-32,A-80	\$9,091
07536ET3H365TS-W22G	A-154	\$9,931
07536ET3Y280S/M-W22	A-69,A-100,A-220	\$12,472
075360P3EFP364JPV	A-210	\$7,525
075360P3EFP364TS	A-205	\$5,074
075360P3HFP364JPV	A-210	\$7,525
075360P3HFP364TS	A-205	\$5,074
075360P3VFP364JPV	A-210	\$7,525
075360P3VFP364TS	A-205	\$5,074
075360T3E364JM	A-193	\$6,951

Catalog Number	Page	List Price
075360T3E364JP	A-197	\$7,699
075360T3E364JPV	A-199	\$8,121
075360T3E364TS	A-47	\$5,799
075360T3E364TSC	A-52	\$6,193
075360T3E364TS-G	A-158	\$6,172
075360T3G364JM	A-193	\$6,951
075360T3G364JP	A-197	\$7,699
075360T3G364TS	A-47	\$5,799
075360T3H364JM	A-193	\$6,951
075360T3H364JMV	A-194	\$7,351
075360T3H364JP	A-197	\$7,699
075360T3H364JPV	A-199	\$8,121
075360T3H364TS	A-47	\$5,799
075360T3V364JP	A-197	\$7,699
075360T3V364JPV	A-199	\$8,121
075360T3V364TS	A-47	\$5,799
07536ST3HIE365TS-W22	A-58,A-90	\$10,210
07536ST3QIE365TS-W22	A-58,A-90	\$10,210
07536XT3E365TS	A-108	\$11,285
07536XT3H365TS	A-108	\$11,285
07589EP3PCT404VF1-W2	A-167	\$14,226
07589EP3PCT404V-W22	A-167	\$14,226
07589EP3QCT404VF1-W2	A-167	\$14,226
07589EP3QCT404V-W22	A-167	\$14,226
09009ET3Y315S/M-W22	A-69,A-101,A-220	\$21,288
09012ET3Y315S/M-W22	A-69,A-101,A-220	\$19,448
09018ET3Y280S/M-W22	A-69,A-101,A-220	\$15,220
09036ET3Y280S/M-W22	A-69,A-101,A-220	\$16,720
10009ET3E445T-W22	A-32,A-80	\$26,988
10009ET3G445T-W22	A-32,A-80	\$26,988
10009ET3GKD445T-W22	A-96	\$26,988
10009ST3QIE445T-W22	A-58,A-90	\$24,681
10009ST3QIERB445T-W2	A-58,A-90	\$24,681
10009XT3E445T	A-108	\$31,191
10009XT3G445T	A-108	\$31,191
10012EG3E444T-W22	A-71	\$17,194
10012ES3EOW445T-W22	A-240	\$18,074
10012ET3E444T-W22	A-32,A-80	\$15,631
10012ET3E444T-W22G	A-154	\$17,181
10012ET3ECT444T-W22	A-162	\$17,194
10012ET3ERB444T-W22	A-32,A-80,A-96	\$15,631
10012ET3G444T-W22	A-32,A-80	\$15,631
10012ET3GRB444T-W22	A-32,A-80,A-96	\$15,631
10012ET3H444T-W22	A-32,A-80	\$15,631
10012ET3H444T-W22G	A-154	\$17,181
10012ET3PCT444T-W22	A-162	\$17,194
10012OS3EOW445T	A-240	\$13,078
10012OT3E444T	A-48	\$11,863
10012OT3E444T-G	A-158	\$13,463
10012OT3G444T	A-48	\$11,863
10012ST3HIE444T-W22	A-58,A-90	\$17,933
10012ST3QIE444T-W22	A-58,A-90	\$17,933
10012ST3QIERB444T-W2	A-58,A-90	\$17,933
10012XT3E444T	A-108	\$21,032
10012XT3G444T	A-108	\$21,032
10015EP3OFP405TS-W22	A-211	\$11,105
10018EG3E405T-W22	A-71	\$12,858

Catalog Number	Page	List Price
10018ET3E405HPP-W22	A-214	\$11,222
10018ET3E405HP-W22	A-214	\$11,222
10018ET3E405JM-W22	A-185	\$12,300
10018ET3E405JP-W22	A-189	\$12,411
10018ET3E405TC-W22	A-39,A-85	\$12,179
10018ET3E405TSC-W22	A-39,A-85	\$12,179
10018ET3E405TS-W22	A-32,A-80	\$11,689
10018ET3E405T-W22	A-32,A-80	\$11,689
10018ET3E405T-W22G	A-154	\$12,889
10018ET3ECT405T-W22	A-162	\$13,092
10018ET3ERB405T-W22	A-32,A-80,A-96	\$11,689
10018ET3G405HPP-W22	A-214	\$11,222
10018ET3G405HP-W22	A-214	\$11,222
10018ET3G405JM-W22	A-185	\$12,300
10018ET3G405JP-W22	A-189	\$12,411
10018ET3G405T-W22	A-32,A-80	\$11,689
10018ET3GRB405T-W22	A-32,A-80,A-96	\$11,689
10018ET3H405TC-W22	A-39,A-85	\$12,179
10018ET3H405T-W22	A-32,A-80	\$11,689
10018ET3H405T-W22G	A-154	\$12,889
10018ET3HRB405T-W22	A-32,A-80,A-96	\$11,689
10018ET3PCT405T-W22	A-162	\$13,092
10018OP3EFP404JPV	A-210	\$8,825
10018OP3EFP404T	A-206	\$6,065
10018OP3EFP404TC	A-207	\$6,510
10018OP3EFP404TS	A-206	\$6,065
10018OP3HFP404TC	A-207	\$6,510
10018OP3HFP404TS	A-206	\$6,065
10018OP3VFP404JPV	A-210	\$8,825
10018OP3VFP404TC	A-207	\$6,510
10018OP3VFP404TS	A-206	\$6,065
10018OT3E404JP	A-197	\$8,783
10018OT3E404JPV	A-199	\$9,237
10018OT3E404T	A-48	\$7,141
10018OT3E404TC	A-53	\$7,587
10018OT3E404T-G	A-158	\$8,341
10018OT3E404TS	A-48	\$7,141
10018OT3E404TSC	A-53	\$7,587
10018OT3E404TS-G	A-158	\$7,751
10018OT3ERB404T	A-48	\$7,141
10018OT3G404JP	A-197	\$8,783
10018OT3G404T	A-48	\$7,141
10018OT3G404TS	A-48	\$7,141
10018OT3GRB404T	A-48	\$7,141
10018OT3H404T	A-48	\$7,141
10018OT3H404TC	A-53	\$7,587
10018OT3H404T-G	A-158	\$8,341
10018OT3H404TSC	A-53	\$7,587
10018OT3V404JPV	A-199	\$9,237
10018OT3V404TS	A-48	\$7,141
10018ST3HIE405T-W22	A-58,A-90	\$12,471
10018ST3HIERB405T-W2	A-58,A-90	\$12,471
10018ST3QIE405T-W22	A-58,A-90	\$12,471
10018ST3QIERB405T-W2	A-58,A-90	\$12,471
10018XT3E405T	A-108	\$14,206
10018XT3E405TC	A-111	\$14,993
10018XT3G405T	A-108	\$14,206

Catalog Number	Page	List Price
10018XT3H405T	A-108	\$14,206
10030EP30FP405TS-W22	A-211	\$11,402
10036EG3E405TS-W22	A-71	\$13,202
10036ET3E405HPP-W22	A-214	\$12,908
10036ET3E405HP-W22	A-214	\$12,908
10036ET3E405JM-W22	A-185	\$13,093
10036ET3E405JP-W22	A-189	\$13,949
10036ET3E405TS-W22	A-32,A-80	\$12,002
10036ET3E405TS-W22G	A-154	\$13,202
10036ET3G405HPP-W22	A-214	\$12,908
10036ET3G405HP-W22	A-214	\$12,908
10036ET3G405JM-W22	A-185	\$13,093
10036ET3G405JP-W22	A-189	\$13,949
10036ET3G405TS-W22	A-32,A-80	\$12,002
10036ET3H405TS-W22	A-32,A-80	\$12,002
10036OP3EFP365JPV	A-210	\$8,860
10036OP3EFP365TS	A-206	\$6,152
10036OP3HFP365JPV	A-210	\$8,860
10036OP3HFP365TS	A-206	\$6,152
10036OP3VFP365JPV	A-210	\$8,860
10036OP3VFP365TS	A-206	\$6,152
10036OT3E365JM	A-193	\$8,683
10036OT3E365JP	A-197	\$8,173
10036OT3E365JPV	A-199	\$8,609
10036OT3E365TS	A-48	\$6,644
10036OT3E365TS-G	A-158	\$7,484
10036OT3G365JM	A-193	\$8,683
10036OT3G365JP	A-197	\$8,173
10036OT3G365TS	A-48	\$6,644
10036OT3H365JPV	A-199	\$8,609
10036OT3H365TS	A-48	\$6,644
10036OT3V365JPV	A-199	\$8,609
10036OT3V365TS	A-48	\$6,644
10036ST3HIE405TS-W22	A-58,A-90	\$12,806
10036ST3QIE405TS-W22	A-58,A-90	\$12,806
10036XT3E405TS	A-108	\$12,999
10036XT3G405TS	A-108	\$12,999
10036XT3H405TS	A-108	\$12,999
10089EP3PCT444VF1-W2	A-167	\$16,398
10089EP3PCT444V-W22	A-167	\$16,398
10089EP3QCT444VF1-W2	A-167	\$16,398
10089EP3QCT444V-W22	A-167	\$16,398
11009ET3Y315L-W22	A-69,A-101,A-220	\$27,910
11012ET3Y315S/M-W22	A-69,A-101,A-220	\$22,507
11018ET3Y280S/M-W22	A-69,A-101,A-220	\$17,078
11036ET3Y315S/M-W22	A-69,A-101,A-220	\$21,018
12509ET3G447T-W22	A-33,A-81	\$28,175
12509ET3GKD447T-W22	A-96	\$28,175
12509ST3QIE447T-W22	A-58,A-90	\$29,733
12509ST3QIERB447T-W2	A-58,A-90	\$29,733
12512EG3G445T-W22	A-72	\$19,742
12512ET3E445T-W22	A-33,A-81	\$17,947
12512ET3E445T-W22G	A-155	\$19,497
12512ET3ERB445T-W22	A-33,A-81,A-96	\$17,947
12512ET3G445T-W22	A-33,A-81	\$17,947
12512ET3GRB445T-W22	A-33,A-81,A-96	\$17,947
12512ET3H445T-W22	A-33,A-81	\$17,947

Catalog Number	Page	List Price
12512ET3H445T-W22G	A-155	\$19,497
12512OT3G445T	A-48	\$12,753
12512OT3G445T-G	A-158	\$14,353
12512ST3HIE445T-W22	A-58,A-90	\$20,158
12512ST3QIE445T-W22	A-58,A-90	\$20,158
12512ST3QIERB445T-W2	A-58,A-90	\$20,158
12512XT3G445T	A-108	\$21,537
12515EP30FP444TS-W22	A-211	\$14,011
12518EG3G444T-W22	A-72	\$16,223
12518ET3E444TC-W22	A-39,A-85	\$16,218
12518ET3E444TC-W22G	A-155	\$16,904
12518ET3E444TS-W22	A-33,A-81	\$14,748
12518ET3E444T-W22	A-33,A-81	\$14,748
12518ET3E444T-W22G	A-155	\$16,298
12518ET3ERB444T-W22	A-33,A-81,A-96	\$14,748
12518ET3G444HP-W22	A-214	\$15,687
12518ET3G444TC-W22	A-39,A-85	\$16,218
12518ET3G444TSC-W22	A-39,A-85	\$16,218
12518ET3G444T-W22	A-33,A-81	\$14,748
12518ET3GRB444T-W22	A-33,A-81,A-96	\$14,748
12518ET3H444TC-W22	A-39,A-85	\$16,218
12518ET3H444T-W22	A-33,A-81	\$14,748
12518ET3H444T-W22G	A-155	\$16,298
12518OP3EFP405TS	A-206	\$6,651
12518OP3GFP405TC	A-207	\$6,651
12518OP3GFP405TS	A-206	\$6,651
12518OP3HFP405TC	A-207	\$6,651
12518OP3HFP405TS	A-206	\$6,651
12518OT3E405T	A-48	\$7,981
12518OT3E405TC	A-53	\$8,427
12518OT3E405TC-G	A-158	\$9,627
12518OT3E405T-G	A-158	\$9,181
12518OT3E405TS	A-48	\$7,981
12518OT3E405TSC	A-53	\$8,427
12518OT3ERB405T	A-48	\$7,981
12518OT3G405JP	A-197	\$10,317
12518OT3G405T	A-48	\$7,981
12518OT3G405TC	A-53	\$8,427
12518OT3G405TS	A-48	\$7,981
12518OT3G405TSC	A-53	\$8,427
12518OT3GRB405T	A-48	\$7,981
12518OT3H405T	A-48	\$7,981
12518OT3H405TC	A-53	\$8,427
12518OT3H405T-G	A-158	\$9,181
12518ST3HIE444T-W22	A-58,A-90	\$16,564
12518ST3QIE444T-W22	A-58,A-90	\$16,564
12518ST3QIERB444T-W2	A-58,A-90	\$16,564
12518XT3E444T	A-108	\$19,961
12518XT3G444T	A-108	\$19,961
12530EP30FP444TS-W22	A-211	\$14,583
12536EG3G444TS-W22	A-72	\$16,885
12536ET3E444TS-W22	A-33,A-81	\$15,350
12536ET3E444TS-W22G	A-155	\$16,900
12536ET3G444HP-W22	A-214	\$17,969
12536ET3G444TS-W22	A-33,A-81	\$15,350
12536ET3H444TS-W22	A-33,A-81	\$15,350
12536ET3H444TS-W22G	A-155	\$16,900

Catalog Number	Page	List Price	Catalog Number	Page	List Price
125360P3EFP404TS	A-206	\$7,762	15018XT3E445T	A-109	\$21,557
125360P3GFP404TS	A-206	\$7,762	15018XT3G445T	A-109	\$21,557
125360P3HFP404TS	A-206	\$7,762	15018XT3H445T	A-109	\$21,557
125360T3E404TS	A-48	\$8,826	15030EP30FP445TS-W22	A-211	\$17,938
125360T3E404TS-G	A-158	\$10,026	15036EG3G445TS-W22	A-72	\$20,770
125360T3G404JP	A-197	\$10,563	15036ET3E445TS-W22	A-33,A-81	\$18,882
125360T3G404TS	A-48	\$8,826	15036ET3G445HP-W22	A-214	\$20,517
125360T3H404TS	A-48	\$8,826	15036ET3G445TS-W22	A-33,A-81	\$18,882
12536ST3HIE444TS-W22	A-58,A-90	\$18,198	15036ET3Y315S/M-W22	A-69,A-101,A-220	\$26,249
12536ST3QIE444TS-W22	A-58,A-90	\$18,198	15036OP3EFP405TS	A-206	\$10,042
12536XT3G444TS	A-108	\$20,874	15036OP3GFP405TS	A-206	\$10,042
13209ET3Y315L-W22	A-69,A-101,A-220	\$33,687	15036OP3HFP405TS	A-206	\$10,042
13212ET3Y315S/M-W22	A-69,A-101,A-220	\$25,642	15036OT3G405JP	A-197	\$13,922
13218ET3Y315S/M-W22	A-69,A-101,A-220	\$19,732	15036OT3G405TS	A-48	\$11,416
13236ET3Y315S/M-W22	A-69,A-101,A-220	\$23,180	15036OT3G405TSC	A-53	\$11,862
15009ET3G449T-W22	A-33,A-81	\$30,677	15036OT3G405TS-G	A-158	\$12,616
15009ET3GKD447T-W22	A-96	\$30,677	15036OT3H405TS	A-48	\$11,416
15009ST3QIE447T-W22	A-59,A-91	\$34,755	15036ST3HIE445TS-W22	A-59,A-91	\$21,433
15009ST3QIERB447T-W2	A-59,A-91	\$34,755	15036ST3QIE445TS-W22	A-59,A-91	\$21,433
15012EG3G449T-W22	A-72	\$22,703	15036XT3G445TS	A-109	\$21,320
15012ET3E447T-W22	A-33,A-81	\$20,639	161AIHI-311.5M	A-265	\$3,468
15012ET3G447T-W22	A-33,A-81	\$20,639	161AIHI-S	A-265	\$3,468
15012ET3GRB447T-W22	A-33,A-81,A-96	\$20,639	161AIHS-3115M	A-265	\$3,206
15012ET3H447T-W22	A-33,A-81	\$20,639	161AIHS-S	A-265	\$3,206
15012ET3Y315L-W22	A-69,A-101,A-220	\$28,298	162AIVD-3115M	A-265	\$4,078
15012OT3G445T	A-48	\$13,615	162AIVD-S	A-265	\$4,078
15012ST3HIE447T-W22	A-59,A-91	\$23,181	18512ET3Y355M/L-W22	A-69,A-101,A-220	\$43,876
15012ST3QIE447T-W22	A-59,A-91	\$23,181	18518ET3Y315S/M-W22	A-69,A-101,A-220	\$26,247
15012ST3QIERB447T-W2	A-59,A-91	\$23,181	18536ET3Y315S/M-W22	A-69,A-101,A-220	\$26,529
15012XT3G447T	A-109	\$32,370	20009ET3G449T-W22	A-34,A-82	\$49,899
15012XT3G504	A-109	\$32,370	20009ET3GKD449T-W22	A-96	\$49,899
15015EP30FP445TS-W22	A-211	\$16,549	20009ST3HIE449T-W22	A-59,A-91	\$57,394
15018EG3G445T-W22	A-72	\$19,162	20009ST3QIE449T-W22	A-59,A-91	\$57,394
15018ET3E445TC-W22	A-39,A-85	\$18,025	20009ST3QIERB449T-W2	A-59,A-91	\$57,394
15018ET3E445TC-W22G	A-155	\$19,575	20012EG3G449T-W22	A-72	\$27,646
15018ET3E445T-W22	A-33,A-81	\$17,420	20012ET3E449T-W22	A-34,A-82	\$25,255
15018ET3G445HP-W22	A-214	\$17,845	20012ET3G447T-W22	A-34,A-82	\$25,133
15018ET3G445TC-W22	A-39,A-85	\$18,025	20012ET3G449T-W22	A-34,A-82	\$25,255
15018ET3G445TS-W22	A-33,A-81	\$17,420	20012ET3G505-W22	A-34,A-82	\$25,255
15018ET3G445T-W22	A-33,A-81	\$17,420	20012ET3GKD505Z-W22	A-96	\$25,133
15018ET3GRB445T-W22	A-33,A-81,A-96	\$17,420	20012ET3GRB447T-W22	A-34,A-82,A-96	\$25,133
15018ET3H445T-W22	A-33,A-81	\$17,420	20012ET3GRB449T-W22	A-34,A-82,A-96	\$25,255
15018ET3HRB445T-W22	A-33,A-81,A-96	\$17,420	20012ET3H449T-W22	A-34,A-82	\$25,255
15018ET3Y315S/M-W22	A-69,A-101,A-220	\$21,772	20012ET3HKD505Z-W22	A-96	\$25,133
15018OP3EFP444TS	A-206	\$8,891	20012ET3XL449-W22MV	A-252	\$43,039
15018OP3GFP444TS	A-206	\$8,891	20012ET3XL449-W22MVR	A-252	\$43,039
15018OP3HFP444TS	A-206	\$8,891	20012OT3G447/9T-W40	A-48	\$23,380
15018OT3G444T	A-48	\$10,668	20012ST3HIE449T-W22	A-59,A-91	\$27,577
15018OT3G444TC	A-53	\$11,228	20012ST3HIERB449T-W2	A-59,A-91	\$27,557
15018OT3G444TS	A-48	\$10,668	20012ST3QIE449T-W22	A-59,A-91	\$27,577
15018OT3G444TSC	A-53	\$11,228	20012ST3QIERB449T-W2	A-59,A-91	\$27,557
15018OT3GRB444T	A-48	\$10,668	20012XT3G447T	A-109	\$33,613
15018OT3H444T	A-48	\$10,668	20015EP30FP447TS-W22	A-211	\$20,043
15018OT3H444TC	A-53	\$11,228	20018EG3G449T-W22	A-72	\$23,208
15018ST3HIE445T-W22	A-59,A-91	\$18,587	20018ET3E447T-W22	A-34,A-82	\$21,098
15018ST3HIERB445T-W2	A-59,A-91	\$18,587	20018ET3G447TC-W22	A-39,A-86	\$21,704
15018ST3QIE445T-W22	A-59,A-91	\$18,587	20018ET3G447TS-W22	A-34,A-82	\$21,098
15018ST3QIERB445T-W2	A-59,A-91	\$18,587	20018ET3G447T-W22	A-34,A-82	\$21,098

Catalog Number	Page	List Price
20018ET3G504-W22	A-34,A-82	\$21,098
20018ET3GRB447T-W22	A-34,A-82,A-96	\$21,098
20018ET3H447T-W22	A-34,A-82	\$21,098
20018ET3HRB447T-W22	A-34,A-82,A-96	\$21,098
20018ET3XL449-W22MV	A-252	\$37,790
20018ET3XL449-W22MVR	A-252	\$37,790
200180P3GFP445TS	A-206	\$10,837
200180P3HFP445TS	A-206	\$10,837
200180T3G445T	A-48	\$13,004
200180T3G445TC	A-53	\$13,564
200180T3G445TS	A-48	\$13,004
200180T3GRB445T	A-48	\$13,004
20018ST3HIE447T-W22	A-59,A-91	\$23,696
20018ST3QIE447T-W22	A-59,A-91	\$23,696
20018ST3QIERB447T-W2	A-59,A-91	\$23,696
20018XT3G447T	A-109	\$29,397
20018XT3G504	A-109	\$29,397
20030EP30FP447TS-W22	A-211	\$22,384
20036EG3G447TS-W22	A-72	\$25,918
20036ET3E447TS-W22	A-34,A-82	\$23,562
20036ET3G447TS-W22	A-34,A-82	\$23,562
20036ET3G504S-W22	A-34,A-82	\$23,562
20036ET3XL449-W22MV	A-252	\$38,054
20036ET3XL449-W22MVR	A-252	\$38,054
200360P3GFP444TS	A-206	\$12,782
200360P3HFP444TS	A-206	\$12,782
200360T3G444TS	A-48	\$14,504
200360T3G444TSC	A-53	\$15,064
200360T3H444TS	A-48	\$14,504
20036ST3HIE447TS-W22	A-59,A-91	\$28,568
20036ST3QIE447TS-W22	A-59,A-91	\$28,568
20036XT3G447TS	A-109	\$29,446
201AIHE-S	A-265	\$6,143
201AIHV-S	A-265	\$5,357
202AIVJ-S	A-265	\$7,607
202AIVS-S	A-265	\$6,643
22012ET3Y355M/L-W22	A-69,A-101,A-220	\$46,322
22018ET3Y315L-W22	A-69,A-101,A-220	\$36,234
22036ET3Y315L-W22	A-69,A-101,A-220	\$44,212
25009ET3G449T-W22	A-34,A-82	\$56,168
25009ET3GKD586/7-W22	A-96	\$56,168
25012ET3E449T-W22	A-34,A-82	\$35,555
25012ET3G449T-W22	A-34,A-82	\$35,555
25012ET3G586/7-W22	A-34,A-82	\$39,631
25012ET3GKD449T-W22	A-96	\$35,555
25012ET3GKD580Z-W22	A-96	\$39,631
25012ET3GRB449T-W22	A-34,A-82,A-96	\$35,555
25012ET3H449T-W22	A-34,A-82	\$35,555
25012ET3HKD580Z-W22	A-96	\$39,631
25012ET3X5009-W50MV	A-252	\$48,810
250120T3G447/9T-W40	A-48	\$27,249
25012ST3QIE449T-W22	A-59,A-91	\$39,415
25012ST3QIERB449T-W2	A-59,A-91	\$39,415
25012XT3G449T	A-109	\$48,048
25015EP30FP449TS-W22	A-211	\$25,463
25018EG3G449T-W22	A-72	\$29,388
25018ET3G447TSC-W22	A-39,A-86	\$34,280
25018ET3G447TS-W22	A-34,A-82	\$27,189

Catalog Number	Page	List Price
25018ET3G447T-W22	A-34,A-82	\$26,716
25018ET3G449T-W22	A-34,A-82	\$26,803
25018ET3GKD447T-W22	A-96	\$26,716
25018ET3GKD505Z-W22	A-96	\$26,716
25018ET3GRB447T-W22	A-34,A-82,A-96	\$26,716
25018ET3GRB449T-W22	A-34,A-82,A-96	\$26,803
25018ET3H447TS-W22	A-34,A-82	\$27,189
25018ET3HRB447T-W22	A-34,A-82,A-96	\$26,716
25018ET3Q447TSC-W22	A-86	\$27,322
25018ET3X5009-W50MV	A-252	\$42,249
250180P3GFP445TS	A-206	\$13,358
250180P3HFP445TS	A-206	\$13,358
250180T3G445T	A-48	\$15,513
250180T3G445TC	A-53	\$16,073
250180T3G445TS	A-48	\$15,513
250180T3GRB445T	A-48	\$15,513
250180T3H445T	A-48	\$15,513
25018ST3QIE449T-W22	A-59,A-91	\$30,081
25018ST3QIERB449T-W2	A-59,A-91	\$30,081
25018XT3G447T	A-109	\$32,866
25018XT3H447T	A-109	\$32,866
25030EP30FP449TS-W22	A-211	\$31,514
25036EG3G447TS-W22	A-72	\$32,831
25036ET3G447TS-W22	A-34,A-82	\$29,846
25036ET3G449TS-W22	A-34,A-82	\$33,173
25036ET3X5009-W50MV	A-252	\$42,512
250360P3GFP445TS	A-206	\$15,654
250360P3HFP445TS	A-206	\$15,654
250360T3G445TS	A-48	\$18,983
250360T3G445TSC	A-53	\$19,543
250360T3H445TS	A-48	\$18,983
25036ST3QIE449TS-W22	A-59,A-91	\$34,663
25036XT3G447TS	A-109	\$31,124
250MI00AI-S	A-266	\$13,393
250MI10AI-S	A-266	\$14,250
250MI20AI-S	A-266	\$15,520
250SI10AI-2115M	A-266	\$10,735
250SI10AI-3115M	A-266	\$10,735
250SI10AI-S	A-266	\$10,735
250SI20AI-2115M	A-266,A-266	\$11,598
250SI20AI-S	A-266	\$11,598
251AIHD-S	A-265	\$8,393
251AIHE-2115M	A-265	\$9,821
251AIHE-S	A-265	\$9,821
26012ET3Y355M/L-W22	A-69,A-101,A-220	\$53,001
26018ET3Y355M/L-W22	A-69,A-101,A-220	\$43,761
26036ET3Y355M/L-W22	A-69,A-101,A-220	\$50,637
280MI20AI-S	A-266	\$17,218
30009ET3G449T-W22	A-34,A-82	\$58,655
30009ET3GKD586/7-W22	A-97	\$58,655
30012ET3G449T-W22	A-34,A-82	\$38,437
30012ET3G586/7-W22	A-34,A-82	\$44,301
30012ET3GKD449T-W22	A-97	\$38,437
30012ET3GKD580Z-W22	A-97	\$44,301
30012ET3GKD586/7-W22	A-97	\$44,301
30012ET3HKD580Z-W22	A-97	\$44,301
30012ET3X5009-W50MV	A-252	\$55,371

Catalog Number	Page	List Price
300120T3G447/9T-W40	A-49	\$29,853
30012ST3QIE449T-W22	A-59,A-91	\$44,648
30012ST3QIERB449T-W2	A-59,A-91	\$44,648
30012XT3G449T	A-109	\$52,790
30018ET3G449TC-W22	A-39,A-86	\$31,990
30018ET3G449TS-W22	A-34,A-82	\$31,384
30018ET3G449T-W22	A-34,A-82	\$31,384
30018ET3GKD449T-W22	A-97	\$31,384
30018ET3GKD580Z-W22	A-97	\$39,112
30018ET3GRB449T-W22	A-34,A-82,A-97	\$31,384
30018ET3HKD580Z-W22	A-97	\$39,112
30018ET3X5009-W50MV	A-252	\$47,239
30018ET3Y355M/L-W22	A-69,A-101,A-220	\$60,292
300180P3GFP447/9TSW4	A-206	\$19,168
300180T3G447/9TS-W40	A-49	\$24,878
300180T3G447/9T-W40	A-49	\$24,878
300180T3H447/9TSD-W4	A-49	\$25,733
30018ST3QIE449T-W22	A-59,A-91	\$36,810
30018ST3QIERB449T-W2	A-59,A-91	\$36,810
30018XT3G449T	A-109	\$42,566
30036ET3G449TS-W22	A-34,A-82	\$38,269
30036ET3X5009-W50MV	A-252	\$51,698
30036ET3Y355M/L-W22	A-69,A-101,A-220	\$66,321
300360P3GFP445TS	A-206	\$19,556
300360P3HFP445TS	A-206	\$19,556
300360T3G445TS	A-49	\$22,294
30036XT3G449TS	A-109	\$48,747
315MI10AI-018M	A-266	\$19,586
315MI10AI-S	A-266	\$19,586
315MI15AI-018M	A-266	\$21,964
315MI15AI-S	A-266	\$21,964
315MI20AI-018M	A-266	\$24,394
315MI20AI-S	A-266	\$24,394
315MI40AI-0118M	A-266	\$32,684
315MI40AI-S	A-266	\$32,684
33018ET3Y355M/L-W22	A-69,A-101,A-220	\$64,557
35009ET3G586/7-W22	A-35,A-83	\$64,873
35009ET3GKD586/7-W22	A-97	\$64,873
35012ET3G449T-W22	A-35,A-83	\$47,633
35012ET3GKD580Z-W22	A-97	\$50,250
35012ET3GKD586/7-W22	A-97	\$50,250
35012ET3GRB449T-W22	A-35,A-83,A-97	\$47,633
35012ET3X5009-W50MV	A-252	\$61,532
35012ST3QIE449T-W22	A-59,A-91	\$52,634
35012ST3QIERB449T-W2	A-59,A-91	\$52,634
35012XT3G586/7	A-109	\$71,652
35018ET3G449TS-W22	A-35,A-83	\$36,517
35018ET3G449T-W22	A-35,A-83	\$36,517
35018ET3GKD449T-W22	A-97	\$36,517
35018ET3GKD580Z-W22	A-97	\$41,230
35018ET3GRB449T-W22	A-35,A-83,A-97	\$36,517
35018ET3HKD580Z-W22	A-97	\$41,230
350180P3GFP447/9TSW4	A-206	\$22,807
350180P3HFP447/9TSW4	A-206	\$22,807
350180T3G447/9TS-W40	A-49	\$25,174
350180T3G447/9T-W40	A-49	\$25,174
35018ST3QIE449T-W22	A-59,A-91	\$44,105
35018ST3QIERB449T-W2	A-59,A-91	\$44,105

Catalog Number	Page	List Price
35018XT3G449T	A-109	\$53,222
35036ET3G449TS-W22	A-35,A-83	\$43,805
350360P3GFP447/9TSW4	A-206	\$22,346
350360P3HFP447/9TSW4	A-206	\$22,346
350360T3G447/9TS-W40	A-49	\$25,055
35036XT3G449TS	A-109	\$65,868
355MI70AI-S	A-266	\$44,643
40009ET3G588/9-W22	A-35,A-83	\$66,123
40012ET3G449T-W22	A-35,A-83	\$52,307
40012ET3G586/7-W22	A-35,A-83	\$56,201
40012ET3GKD580Z-W22	A-97	\$58,210
40012ET3GKD586/7-W22	A-97	\$56,201
40012ET3GRB449T-W22	A-35,A-83,A-97	\$52,307
40012ET3HKD580Z-W22	A-97	\$58,210
40012ET3X5809-W50MV	A-252	\$68,812
40012XT3G586/7	A-109	\$75,473
40018ET3G449TS-W22	A-35,A-83	\$43,805
40018ET3G449T-W22	A-35,A-83	\$43,805
40018ET3GKD580Z-W22	A-97	\$45,805
40018ET3GRB449T-W22	A-35,A-83,A-97	\$43,805
40018ET3H449T-W22	A-35,A-83	\$43,805
40018ET3HKD580Z-W22	A-97	\$45,805
40018ET3X5009-W50MV	A-252	\$60,848
40018ET3X5009-W50MVR	A-252	\$60,848
400180P3GFP447/9TSW4	A-206	\$25,570
400180P3HFP447/9TSW4	A-206	\$25,570
400180T3G447/9TS-W40	A-49	\$28,311
400180T3G447/9T-W40	A-49	\$28,311
40018ST3QIE449T-W22	A-59,A-91	\$48,396
40018ST3QIERB449T-W2	A-59,A-91	\$48,396
40018XT3G586/7	A-109	\$61,096
40036ET3G449TS-W22	A-35,A-83	\$44,605
40036ET3X5009-W50MV	A-252	\$61,669
40036ET3X5009-W50MVR	A-252	\$61,669
400360P3GFP447/9TSW4	A-206	\$24,140
400360P3HFP447/9TSW4	A-206	\$24,140
400360T3G447/9TS-W40	A-49	\$26,678
45009ET3G588/9-W22	A-35,A-83	\$68,715
45012ET3G586/7-W22	A-35,A-83	\$62,251
45012ET3GKD580Z-W22	A-97	\$63,251
45012ET3GRB586/7-W22	A-35,A-83,A-97	\$62,251
45018ET3G449T-W22	A-35,A-83	\$48,010
45018ET3GKD580Z-W22	A-97	\$48,053
45018ET3GKD586/7-W22	A-97	\$48,053
45018ET3GRB449T-W22	A-35,A-83,A-97	\$48,010
45018XT3G586/7	A-109	\$65,201
45036ET3G449TS-W22	A-35,A-83	\$49,610
450360P3GFP447/9TSW4	A-206	\$26,055
450360P3HFP447/9TSW4	A-206	\$26,055
450360T3G447/9TS-W40	A-49	\$28,239
50012ET3G586/7-W22	A-35,A-83	\$62,962
50012ET3GKD580Z-W22	A-97	\$65,962
50012ET3X5809-W50MV	A-252	\$89,970
50012ET3X5809-W50MVR	A-252	\$89,970
50018ET3G449T-W22	A-35,A-83	\$50,594
50018ET3GKD580Z-W22	A-97	\$51,611

Catalog Number	Page	List Price
50018ET3GRB449T-W22	A-35,A-83,A-97	\$50,594
50018ET3X5009-W50MV	A-252	\$76,398
50018ET3X5009-W50MVR	A-252	\$76,398
50018XT3G586/7	A-109	\$70,086
50036ET3G586/7S-W22	A-35,A-83	\$56,305
50036ET3X5809-W50MV	A-252	\$79,517
50036ET3X5809-W50MVR	A-252	\$79,517
500360P3GFP447/9TSW4	A-206	\$27,711
500360P3HFP447/9TSW4	A-206	\$27,711
500360T3G447/9TS-W40	A-49	\$31,476
550360T3G447/9TS-W40	A-49	\$32,629
60012ET3G588/9-W22	A-35,A-83	\$71,374
60012ET3X5809-W50MV	A-252	\$105,217
60012ET3X5809-W50MVR	A-252	\$105,217
60018ET3G586/7-W22	A-35,A-83	\$60,316
60018ET3X5809-W50MV	A-252	\$91,633
60018ET3X5809-W50MVR	A-252	\$91,633
60036ET3G588/9S-W22	A-35,A-83	\$64,635
60036ET3X5809-W50MV	A-252	\$86,864
60036ET3X5809-W50MVR	A-252	\$86,864
600360T3G447/9TS-W40	A-49	\$32,994
65018ET3G588/9-W22	A-35,A-83	\$66,701
65036ET3G588/9S-W22	A-35,A-83	\$66,835
70012ET3X6808-W50MV	A-252	\$117,307
70012ET3X6808-W50MVR	A-252	\$117,307
70018ET3G588/9-W22	A-35,A-83	\$71,185
70018ET3X6806-W50MV	A-252	\$105,814
70018ET3X6806-W50MVR	A-252	\$105,814
70036ET3G588/9S-W22	A-35,A-83	\$71,254
700360T3Q5010S-W40	A-49	\$42,603
75018ET3G588/9-W22	A-35,A-83	\$74,025
80018ET3X6808-W50MV	A-252	\$114,209
80018ET3X6808-W50MVR	A-252	\$114,209
800360T3Q5010S-W40	A-49	\$45,039
ACBF-11	A-323	\$20
ACBF-11 MPW100	A-323,A-323	\$35
ACBS-02	A-323	\$22
ACBS-02 MPW100	A-323,A-323	\$27
ACBS-11	A-323	\$22
ACBS-11 MPW100	A-323,A-323	\$27
ACBS-20	A-323	\$22
ACBS-20 MPW100	A-323,A-323	\$27
E0.1812EP3WAX71F3-W2	A-222	\$476
E0.1818EP3WAX63F3-W2	A-222	\$365
E0.1836EP3WAX63F3-W2	A-222	\$364
E0.2512EP3WAX71F3-W2	A-222	\$483
E0.2518EP3WAX71F3-W2	A-222	\$415
E0.2536EP3WAX63F3-W2	A-222	\$373
E0.3712EP3WAX80F3-W2	A-222	\$507
E0.3718EP3WAX71F3-W2	A-222	\$427
E0.3736EP3WAX71F3-W2	A-222	\$408
E0.5512EP3WAX80F3-W2	A-222	\$523
E0.5518EP3WAX80F3-W2	A-222	\$488
E0.5536EP3WAX71F3-W2	A-222	\$415
E0.7512EP3WAX90SF3-W	A-222	\$660
E0.7512ET3WAXL90SF3W	A-222	\$872
E0.7512XP3WAX90LF3-W	A-114,A-227	\$1,199
E0.7518EP3WAX80F3-W2	A-222	\$507

Catalog Number	Page	List Price
E0.7518ET3WAX80F3-W2	A-222	\$670
E0.7518XP3WAX90SF3-W	A-114,A-227	\$1,283
E0.7536EP3WAX80F3-W2	A-222	\$499
E0.7536ET3WAX80F3-W2	A-222	\$659
E0.7536XP3WAX90SF3-W	A-114,A-227	\$1,267
E00112EP3WAX90LF3-W2	A-222	\$700
E00112ET3WAX100LF3-W	A-222	\$924
E00112XP3WAX90LF3-W	A-114,A-227	\$1,588
E00118EP3WAX90SF3-W2	A-222	\$578
E00118ET3WAX90SF3-W2	A-222	\$763
E00118XP3WAX90LF3-W	A-114,A-227	\$1,334
E00136EP3WAX80F3-W22	A-222	\$538
E00136ET3WAX80F3-W22	A-222	\$711
E00136XP3WAX90SF3-W	A-114,A-227	\$1,318
E00152EP3WAX100LF3-W	A-222	\$872
E00152ET3WAX100LF3-W	A-222	\$1,152
E00152XP3WAX100LF3-W	A-114,A-227	\$1,757
E00156EP3WAX90SF3-W2	A-222	\$614
E00156ET3WAX90SF3-W2	A-222	\$811
E00156XP3WAX90SF3-W	A-114,A-227	\$1,371
E00158EP3WAX90LF3-W2	A-222	\$673
E00158ET3WAX90LF3-W2	A-222	\$889
E00158XP3WAX100LF3-W	A-114,A-227	\$1,488
E00212EP3YAX112MF3-W	A-222	\$1,181
E00212ET3YAX112MF3-W	A-222	\$1,561
E00212XP3YAX112MF3-W	A-114,A-227	\$2,040
E00218EP3WAX100LF3-W	A-222	\$845
E00218ET3WAX100LF3-W	A-222	\$1,116
E00218XP3WAX100LF3-W	A-114,A-227	\$1,783
E00236EP3WAX90LF3-W2	A-222	\$700
E00236ET3WAX90LF3-W2	A-222	\$924
E00236XP3WAX90LF3-W	A-114,A-227	\$1,534
E00312EP3YAX132SF3-W	A-222	\$1,684
E00312ET3YAX132SF3-W	A-222	\$2,225
E00312XP3YAX132SF3-W	A-114,A-227	\$3,224
E00318EP3WAX100LF3-W	A-222	\$1,016
E00318ET3WAXL100LF3W	A-222	\$1,342
E00318XP3YAX112MF3-W	A-114,A-227	\$2,137
E00336EP3WAX100LF3-W	A-222	\$916
E00336ET3WAX100LF3-W	A-222	\$1,210
E00336XP3WAX100LF3-W	A-114,A-227	\$1,918
E00412EP3YAX132MF3-W	A-222	\$1,910
E00412ET3YAX132MF3-W	A-222	\$2,524
E00412XP3YAX132MF3-W	A-114,A-227	\$3,607
E00418EP3YAX112MF3-W	A-222	\$1,388
E00418ET3YAX112MF3-W	A-222	\$1,712
E00418XP3YAX112MF3-W	A-114,A-227	\$2,468
E00436EP3YAX112MF3-W	A-222	\$1,174
E00436ET3YAX112MF3-W	A-222	\$1,552
E00436XP3YAX112MF3-W	A-114,A-227	\$2,414
E00512EP3YAX132MF3-W	A-223	\$2,312
E00512ET3YAX132MLF3W	A-223	\$3,052
E00512XP3YAX132MF3-W	A-114,A-227	\$3,800
E00518EP3YAX132SF3-W	A-223	\$1,798
E00518ET3YAX132SF3-W	A-223	\$2,218
E00518XP3YAX132SF3-W	A-114,A-227	\$3,025
E00536EP3YAX132SF3-W	A-223	\$1,613
E00536ET3YAX132SF3-W	A-223	\$2,132

Catalog Number	Page	List Price
E00536XP3YAX132SF3-W	A-114,A-227	\$3,083
E00712EP3YAX160MF3-W	A-223	\$3,221
E00712ET3YAX160MF3-W	A-223	\$4,256
E00712XP3YAX160MF3-W	A-114,A-227	\$5,017
E00718EP3YAX132MF3-W	A-223	\$2,135
E00718ET3YAX132MF3-W	A-223	\$2,634
E00718XP3YAX132MF3-W	A-114,A-227	\$3,685
E00736EP3YAX132SF3-W	A-223	\$1,833
E00736ET3YAX132SF3-W	A-223	\$2,422
E00736XP3YAX132SF3-W	A-114,A-227	\$3,556
E01112EP3YAX160LF3-W	A-223	\$4,243
E01112ET3YAX160LF3-W	A-223	\$5,607
E01112XP3YAX160LF3-W	A-115,A-227	\$5,281
E01118EP3YAX160MF3-W	A-223	\$3,331
E01118ET3YAX160MF3-W	A-223	\$4,108
E01118XP3YAX160MF3-W	A-115,A-227	\$4,151
E01136EP3YAX160MF3-W	A-223	\$3,150
E01136ET3YAX160MF3-W	A-223	\$4,163
E01136XP3YAX160MF3-W	A-115,A-227	\$4,148
E01512EP3YAX180LF3-W	A-223	\$5,388
E01512ET3YAX180LF3-W	A-223	\$7,119
E01512XP3YAX180LF3-W	A-115,A-227	\$6,436
E01518EP3YAX160LF3-W	A-223	\$3,622
E01518ET3YAX160LF3-W	A-223	\$4,696
E01518XP3YAX160LF3-W	A-115,A-227	\$4,608
E01536EP3YAX160MF3-W	A-223	\$3,398
E01536ET3YAX160MF3-W	A-223	\$4,490
E01536XP3YAX160MF3-W	A-115,A-227	\$4,924
E01812EP3YAX200LF3-W	A-223	\$7,499
E01812ET3YAX200LF3-W	A-223	\$9,910
E01812XP3YAX200LF3-W	A-115,A-227	\$8,379
E01818EP3YAX180MF3-W	A-223	\$5,439
E01818ET3YAX180MF3-W	A-223	\$6,708
E01818XP3YAX180MF3-W	A-115,A-227	\$6,059
E01836EP3YAX160LF3-W	A-223	\$3,960
E01836ET3YAX160LF3-W	A-223	\$5,233
E01836XP3YAX160LF3-W	A-115,A-227	\$5,915
E02212EP3YAX200LF3-W	A-223	\$7,956
E02212ET3YAX200LF3-W	A-223	\$10,539
E02212XP3YAX200LF3-W	A-115,A-227	\$9,487
E02218EP3YAX180LF3-W	A-223	\$5,934
E02218ET3YAX180LF3-W	A-223	\$7,319
E02218XP3YAX180LF3-W	A-115,A-227	\$6,706
E02236EP3YAX180MF3-W	A-223	\$5,140
E02236ET3YAX180MF3-W	A-223	\$6,792
E02236XP3YAX180MF3-W	A-115,A-227	\$7,099
E03012EP3YAX225SMF3W	A-223	\$12,034
E03012ET3YAX225SMF3W	A-223	\$15,902
E03012XP3YAX225SMF3W	A-115,A-227	\$12,936
E03018EP3YAX200LF3-W	A-223	\$7,716
E03018ET3YAX200LF3-W	A-223	\$10,004
E03018XP3YAX200LF3-W	A-115,A-227	\$8,717
E03036EP3YAX200LF3-W	A-223	\$7,515
E03036ET3YAX200LF3-W	A-223	\$9,931
E03036XP3YAX200LF3-W	A-115,A-227	\$8,824
E03712EP3YAX250SMF3W	A-223	\$13,422
E03712ET3YAX250SMF3W	A-223	\$17,736
E03712XP3YAX250SMF3W	A-115,A-227	\$15,176

Catalog Number	Page	List Price
E03718EP3YAX225SMF3W	A-223	\$10,284
E03718ET3YAX225SMF3W	A-223	\$13,553
E03718XP3YAX225SMF3W	A-115,A-227	\$11,099
E03736EP3YAX200LF3-W	A-223	\$7,987
E03736ET3YAX200LF3-W	A-223	\$10,554
E03736XP3YAX200LF3-W	A-115,A-227	\$10,812
E04512EP3YAX280SMF3W	A-224	\$20,481
E04512ET3YAX280SMF3W	A-224	\$27,064
E04512XP3YAX280SMF3W	A-115,A-227	\$21,544
E04518EP3YAX225SMF3W	A-224	\$11,696
E04518ET3YAX225SMF3W	A-224	\$15,411
E04518XP3YAX225SMF3W	A-115,A-227	\$12,846
E04536EP3YAX225SMF3W	A-224	\$12,588
E04536ET3YAX225SMF3W	A-224	\$16,634
E04536XP3YAX225SMF3W	A-115,A-227	\$17,255
E05512EP3YAX280SMF3W	A-224	\$20,781
E05512ET3YAX280SMF3W	A-224	\$27,355
E05512XP3YAX280SMF3W	A-115,A-228	\$27,320
E05518EP3YAX250SMF3W	A-224	\$14,354
E05518ET3YAX250SMF3W	A-224	\$18,916
E05518XP3YAX250SMF3W	A-115,A-228	\$19,034
E05536EP3YAX250SMF3W	A-224	\$14,893
E05536ET3YAX250SMF3W	A-224	\$19,680
E05536XP3YAX250SMF3W	A-115,A-228	\$21,608
E07512EP3YAX315SMF3W	A-224	\$23,092
E07512ET3YAX315SMF3W	A-224	\$30,515
E07512XP3YAX315SMF3W	A-116,A-228	\$31,133
E07518EP3YAX280SMF3W	A-224	\$20,544
E07518ET3YAX280SMF3W	A-224	\$27,072
E07518XP3YAX280SMF3W	A-116,A-228	\$23,986
E07536EP3YAX280SMF3W	A-224	\$20,430
E07536ET3YAX280SMF3W	A-224	\$26,996
E07536XP3YAX280SMF3W	A-116,A-228	\$30,248
E09012EP3YAX315SMF3W	A-224	\$27,076
E09012ET3YAX315SMF3W	A-224	\$35,779
E09012XP3YAX315SMF3W	A-116,A-228	\$40,124
E09018EP3YAX280SMF3W	A-224	\$21,307
E09018ET3YAX280SMF3W	A-224	\$28,077
E09018XP3YAX280SMF3W	A-116,A-228	\$33,209
E09036EP3YAX280SMF3W	A-224	\$21,712
E09036ET3YAX280SMF3W	A-224	\$28,691
E09036XP3YAX280SMF3W	A-116,A-228	\$36,063
E11012EP3YAX315SMF3W	A-224	\$34,367
E11012ET3YAX315SMF3W	A-224	\$45,413
E11012XP3YAX315SMF3W	A-116,A-228	\$48,658
E11018EP3YAX315SMF3W	A-224	\$27,068
E11018ET3YAX315SMF3W	A-224	\$35,670
E11018XP3YAX315SMF3W	A-116,A-228	\$37,846
E11036EP3YAX315SMF3W	A-224	\$26,144
E11036ET3YAX315SMF3W	A-224	\$34,547
E11036XP3YAX315SMF3W	A-116,A-228	\$42,763
E13212EP3YAX315SMF3W	A-224	\$52,853
E13212ET3YAX315SMF3W	A-224	\$76,749
E13212XP3YAX315SMF3W	A-116,A-228	\$82,346
E13218EP3YAX315SMF3W	A-224	\$31,689
E13218ET3YAX315SMF3W	A-224	\$42,877
E13218XP3YAX315SMF3W	A-116,A-228	\$45,939
E13236EP3YAX315SMF3W	A-224	\$29,862



Catalog Number	Page	List Price
E13236ET3YAX315SMF3W	A-224	\$39,500
E13236XP3YAX315SMF3W	A-116,A-228	\$54,064
E15012EP3YAX355MLF3W	A-224	\$62,660
E15012ET3YAX315LF3W2	A-224	\$82,712
E15018EP3YAX315SMF3W	A-224	\$33,286
E15018ET3YAX315SMF3W	A-224	\$43,938
E15036EP3YAX315SMF3W	A-224	\$31,360
E15036ET3YAX315SMF3W	A-224	\$41,396
E16012EP3YAX315LF3-W	A-225	\$60,176
E16012EP3YAX355MLF3W	A-225	\$65,792
E16012ET3YAX315LF3-W	A-225	\$79,990
E16012ET3YAX355MLF3W	A-225	\$86,940
E16012XP3YAX355MLF3W	A-116,A-228	\$90,159
E16018EP3YAX315SMF3W	A-225	\$36,046
E16018ET3YAX315SMF3W	A-225	\$47,534
E16018XP3YAX315SMF3W	A-116,A-228	\$50,129
E16036EP3YAX315SMF3W	A-225	\$38,870
E16036ET3YAX315SMF3W	A-225	\$51,363
E16036XP3YAX315SMF3W	A-116,A-228	\$67,306
E20012EP3YAX315LF3-W	A-225	\$66,948
E20012EP3YAX355MLF3W	A-225	\$74,007
E20012ET3YAX355MLF3W	A-225	\$97,795
E20012XP3YAX355MLF3W	A-116,A-228	\$110,130
E20018EP3YAX355MLF3W	A-225	\$64,081
E20018ET3YAX315LF3-W	A-225	\$70,770
E20018ET3YAX355MLF3W	A-225	\$76,925
E20018XP3YAX355MLF3W	A-116,A-228	\$80,905
E20036EP3YAX355MLF3W	A-225	\$66,531
E20036XP3YAX355MLF3W	A-116,A-228	\$100,962
E25012EP3YAX355MLF3W	A-225	\$88,256
E25012ET3YAX355MLF3W	A-225	\$111,338
E25012XP3YAX355MLF3W	A-116,A-228	\$133,308
E25018EP3YAX315LF3-W	A-225	\$62,457
E25018EP3YAX355MLF3W	A-225	\$67,456
E25018ET3YAX315LF3-W	A-225	\$76,550
E25018ET3YAX355MLF3W	A-225	\$83,195
E25018XP3YAX355MLF3W	A-116,A-228	\$94,903
E25036EP3YAX315LF3-W	A-225	\$73,948
E25036EP3YAX355MLF3W	A-225	\$82,191
E25036XP3YAX355MLF3W	A-116,A-228	\$111,375
E31518XP3YAX355MLF3W	A-116,A-228	\$108,540
EDP11S003GN12	A-283	\$6,510
EDP11S003GN1201000	A-285	\$7,273
EDP11S003GN1210000	A-284	\$8,020
EDP11S003GN1211000	A-286	\$8,783
EDP11S003GN3R	A-287	\$8,341
EDP11S003GN3R01000	A-289	\$9,104
EDP11S003GN3R10000	A-288	\$9,851
EDP11S003GN3R11000	A-290	\$10,614
EDP11S005GN12	A-283	\$6,626
EDP11S005GN1201000	A-285	\$7,389
EDP11S005GN1210000	A-284	\$8,136
EDP11S005GN1211000	A-286	\$8,899
EDP11S005GN3R	A-287	\$8,457
EDP11S005GN3R01000	A-289	\$9,220
EDP11S005GN3R10000	A-288	\$9,967
EDP11S005GN3R11000	A-290	\$10,730
EDP11S007DN12	A-283	\$6,690

Catalog Number	Page	List Price
EDP11S007DN1201000	A-285	\$7,453
EDP11S007DN1210000	A-284	\$8,200
EDP11S007DN1211000	A-286	\$8,963
EDP11S007DN3R	A-287	\$8,521
EDP11S007DN3R01000	A-289	\$9,284
EDP11S007DN3R10000	A-288	\$10,031
EDP11S007DN3R11000	A-290	\$10,794
EDP11S007GN12	A-283	\$6,690
EDP11S007GN1201000	A-285	\$7,453
EDP11S007GN1210000	A-284	\$8,200
EDP11S007GN1211000	A-286	\$8,963
EDP11S007GN3R	A-287	\$8,521
EDP11S007GN3R01000	A-289	\$9,284
EDP11S007GN3R10000	A-288	\$10,031
EDP11S007GN3R11000	A-290	\$10,794
EDP11S010DN12	A-283	\$6,756
EDP11S010DN1201000	A-285	\$7,519
EDP11S010DN1210000	A-284	\$8,276
EDP11S010DN1211000	A-286	\$9,039
EDP11S010DN3R	A-287	\$8,587
EDP11S010DN3R01000	A-289	\$9,350
EDP11S010DN3R10000	A-288	\$10,107
EDP11S010DN3R11000	A-290	\$10,870
EDP11S010GN12	A-283	\$6,756
EDP11S010GN1201000	A-285	\$7,519
EDP11S010GN1210000	A-284	\$8,276
EDP11S010GN1211000	A-286	\$9,039
EDP11S010GN3R	A-287	\$8,587
EDP11S010GN3R01000	A-289	\$9,350
EDP11S010GN3R10000	A-288	\$10,107
EDP11S010GN3R11000	A-290	\$10,870
EDP11S013DN12	A-283	\$6,855
EDP11S013DN1201000	A-285	\$7,618
EDP11S013DN1210000	A-284	\$8,375
EDP11S013DN1211000	A-286	\$9,138
EDP11S013DN3R	A-287	\$8,686
EDP11S013DN3R01000	A-289	\$9,449
EDP11S013DN3R10000	A-288	\$10,206
EDP11S013DN3R11000	A-290	\$10,969
EDP11S013GN12	A-283	\$6,855
EDP11S013GN1201000	A-285	\$7,618
EDP11S013GN1210000	A-284	\$8,375
EDP11S013GN1211000	A-286	\$9,138
EDP11S013GN3R	A-287	\$8,686
EDP11S013GN3R01000	A-289	\$9,449
EDP11S013GN3R10000	A-288	\$10,206
EDP11S013GN3R11000	A-290	\$10,969
EDP11S016DN12	A-283	\$7,123
EDP11S016DN1201000	A-285	\$7,886
EDP11S016DN1210000	A-284	\$8,643
EDP11S016DN1211000	A-286	\$9,406
EDP11S016DN3R	A-287	\$8,918
EDP11S016DN3R01000	A-289	\$9,681
EDP11S016DN3R10000	A-288	\$10,438
EDP11S016DN3R11000	A-290	\$11,201
EDP11S017GN12	A-283	\$7,269
EDP11S017GN1201000	A-285	\$8,032
EDP11S017GN1210000	A-284	\$8,867

Catalog Number	Page	List Price
EDP11S017GN1211000	A-286	\$9,630
EDP11S017GN3R	A-287	\$9,100
EDP11S017GN3R01000	A-289	\$9,863
EDP11S017GN3R10000	A-288	\$10,698
EDP11S017GN3R11000	A-290	\$11,461
EDP11S024DN12	A-283	\$7,664
EDP11S024DN1201000	A-285	\$8,427
EDP11S024DN1210000	A-284	\$9,262
EDP11S024DN1211000	A-286	\$10,025
EDP11S024DN3R	A-287	\$9,459
EDP11S024DN3R01000	A-289	\$10,222
EDP11S024DN3R10000	A-288	\$11,057
EDP11S024DN3R11000	A-290	\$11,820
EDP11S024GN12	A-283	\$7,821
EDP11S024GN1201000	A-285	\$8,584
EDP11S024GN1210000	A-284	\$9,613
EDP11S024GN1211000	A-286	\$10,376
EDP11S024GN3R	A-287	\$9,652
EDP11S024GN3R01000	A-289	\$10,415
EDP11S024GN3R10000	A-288	\$11,444
EDP11S024GN3R11000	A-290	\$12,207
EDP11S028DN12	A-283	\$8,408
EDP11S028DN1201000	A-285	\$9,171
EDP11S028DN1210000	A-284	\$10,200
EDP11S028DN1211000	A-286	\$10,963
EDP11S028DN3R	A-287	\$10,202
EDP11S028DN3R01000	A-289	\$10,965
EDP11S028DN3R10000	A-288	\$11,994
EDP11S028DN3R11000	A-290	\$12,757
EDP11S031GN12	A-283	\$8,580
EDP11S031GN1201000	A-285	\$9,343
EDP11S031GN1210000	A-284	\$10,483
EDP11S031GN1211000	A-286	\$11,246
EDP11S031GN3R	A-287	\$10,411
EDP11S031GN3R01000	A-289	\$11,174
EDP11S031GN3R10000	A-288	\$12,314
EDP11S031GN3R11000	A-290	\$13,077
EDP11S033DN12	A-283	\$9,108
EDP11S033DN1201000	A-285	\$9,871
EDP11S033DN1210000	A-284	\$11,011
EDP11S033DN1211000	A-286	\$11,774
EDP11S033DN3R	A-287	\$10,902
EDP11S033DN3R01000	A-289	\$11,665
EDP11S033DN3R10000	A-288	\$12,805
EDP11S033DN3R11000	A-290	\$13,568
EDP11S038GN12	A-283	\$9,293
EDP11S038GN1201000	A-285	\$10,056
EDP11S038GN1210000	A-284	\$11,395
EDP11S038GN1211000	A-286	\$12,158
EDP11S038GN3R	A-287	\$11,125
EDP11S038GN3R01000	A-289	\$11,888
EDP11S038GN3R10000	A-288	\$13,227
EDP11S038GN3R11000	A-290	\$13,873
EDP11S045DN12	A-283	\$10,214
EDP11S045DN1201000	A-285	\$10,977
EDP11S045DN1210000	A-284	\$12,316
EDP11S045DN1211000	A-286	\$13,079
EDP11S045DN3R	A-287	\$12,122

Catalog Number	Page	List Price
EDP11S045DN3R01000	A-289	\$12,885
EDP11S045DN3R10000	A-288	\$14,224
EDP11S045DN3R11000	A-290	\$14,987
EDP11S045GN12	A-283	\$10,422
EDP11S045GN1201000	A-285	\$11,185
EDP11S045GN1210000	A-284	\$12,669
EDP11S045GN1211000	A-286	\$13,432
EDP11S045GN3R	A-287	\$12,369
EDP11S045GN3R01000	A-289	\$13,132
EDP11S045GN3R10000	A-288	\$14,616
EDP11S045GN3R11000	A-290	\$15,233
EDP11S054DN12	A-283	\$11,491
EDP11S054DN1201000	A-285	\$12,254
EDP11S054DN1210000	A-284	\$13,738
EDP11S054DN1211000	A-286	\$14,501
EDP11S054DN3R	A-287	\$13,400
EDP11S054DN3R01000	A-289	\$14,163
EDP11S054DN3R10000	A-288	\$15,647
EDP11S054DN3R11000	A-290	\$16,410
EDP11S058GN12	A-283	\$12,026
EDP11S058GN1201000	A-285	\$12,789
EDP11S058GN1210000	A-284	\$14,721
EDP11S058GN1211000	A-286	\$15,484
EDP11S058GN3R	A-287	\$13,673
EDP11S058GN3R01000	A-289	\$14,436
EDP11S058GN3R10000	A-288	\$16,368
EDP11S058GN3R11000	A-290	\$16,683
EDP11S070DN12	A-283	\$12,162
EDP11S070DN1201000	A-285	\$12,925
EDP11S070DN1210000	A-284	\$14,857
EDP11S070DN1211000	A-286	\$15,620
EDP11S070DN3R	A-287	\$14,162
EDP11S070DN3R01000	A-289	\$14,925
EDP11S070DN3R10000	A-288	\$16,857
EDP11S070DN3R11000	A-290	\$17,620
EDP11S070GN12	A-283	\$12,729
EDP11S070GN1201000	A-285	\$13,492
EDP11S070GN1210000	A-284	\$15,424
EDP11S070GN1211000	A-286	\$16,187
EDP11S070GN3R	A-287	\$14,451
EDP11S070GN3R01000	A-289	\$15,214
EDP11S070GN3R10000	A-288	\$17,146
EDP11S070GN3R11000	A-290	\$17,909
EDP11S086DN12	A-283	\$14,321
EDP11S086DN1201000	A-285	\$15,084
EDP11S086DN1210000	A-284	\$17,016
EDP11S086DN1211000	A-286	\$17,779
EDP11S086DN3R	A-287	\$16,320
EDP11S086DN3R01000	A-289	\$17,083
EDP11S086DN3R10000	A-288	\$19,015
EDP11S086DN3R11000	A-290	\$19,778
EDP11S088GN12	A-283	\$14,988
EDP11S088GN1201000	A-285	\$15,751
EDP11S088GN1210000	A-284	\$17,876
EDP11S088GN1211000	A-286	\$18,639
EDP11S088GN3R	A-287	\$16,653
EDP11S088GN3R01000	A-289	\$17,416
EDP11S088GN3R10000	A-288	\$19,541

Catalog Number	Page	List Price
EDP11S088GN3R1000	A-290	\$20,304
EDP11S105DN12	A-283	\$17,164
EDP11S105DN1201000	A-285	\$17,927
EDP11S105DN1210000	A-284	\$20,052
EDP11S105DN1211000	A-286	\$20,815
EDP11S105DN3R	A-287	\$19,338
EDP11S105DN3R01000	A-289	\$20,101
EDP11S105DN3R10000	A-288	\$22,226
EDP11S105DN3R11000	A-290	\$22,989
EDP11S105GN12	A-283	\$17,964
EDP11S105GN1201000	A-285	\$18,727
EDP11S105GN1210000	A-284	\$21,308
EDP11S105GN1211000	A-286	\$22,071
EDP11S105GN3R	A-287	\$19,733
EDP11S105GN3R01000	A-289	\$20,496
EDP11S105GN3R10000	A-288	\$23,077
EDP11S105GN3R11000	A-290	\$23,840
EDP11S142DN12	A-283	\$19,793
EDP11S142DN1201000	A-285	\$20,556
EDP11S142DN1210000	A-284	\$24,778
EDP11S142DN1211000	A-286	\$25,541
EDP11S142DN3R	A-287	\$21,967
EDP11S142DN3R01000	A-289	\$22,730
EDP11S142DN3R10000	A-288	\$26,952
EDP11S142DN3R11000	A-290	\$27,715
EDP11S142GN12	A-283	\$20,715
EDP11S142GN1201000	A-285	\$21,478
EDP11S142GN1210000	A-284	\$25,700
EDP11S142GN1211000	A-286	\$26,463
EDP11S142GN3R	A-287	\$22,415
EDP11S142GN3R01000	A-289	\$23,178
EDP11S142GN3R10000	A-288	\$27,400
EDP11S142GN3R11000	A-290	\$28,163
EDP11S180DN12	A-283	\$25,116
EDP11S180DN1201000	A-285	\$25,879
EDP11S180DN1210000	A-284	\$31,111
EDP11S180DN1211000	A-286	\$31,874
EDP11S180DN3R	A-287	\$27,290
EDP11S180DN3R01000	A-289	\$28,053
EDP11S180DN3R10000	A-288	\$33,285
EDP11S180DN3R11000	A-290	\$34,048
EDP11S180GN12	A-283	\$26,286
EDP11S180GN1201000	A-285	\$27,049
EDP11S180GN1210000	A-284	\$32,281
EDP11S180GN1211000	A-286	\$33,044
EDP11S180GN3R	A-287	\$27,847
EDP11S180GN3R01000	A-289	\$28,610
EDP11S180GN3R10000	A-288	\$33,842
EDP11S180GN3R11000	A-290	\$34,605
EDP11S211DN12	A-283	\$28,326
EDP11S211DN1201000	A-285	\$29,089
EDP11S211DN1210000	A-284	\$35,651
EDP11S211DN1211000	A-286	\$36,414
EDP11S211DN3R	A-287	\$30,499
EDP11S211DN3R01000	A-289	\$31,262
EDP11S211DN3R10000	A-288	\$37,824
EDP11S211DN3R11000	A-290	\$38,587
EDP11S211GN12	A-283	\$29,645

Catalog Number	Page	List Price
EDP11S211GN1201000	A-285	\$30,408
EDP11S211GN1210000	A-284	\$36,970
EDP11S211GN1211000	A-286	\$37,733
EDP11S211GN3R	A-287	\$31,122
EDP11S211GN3R01000	A-289	\$31,885
EDP11S211GN3R10000	A-288	\$38,447
EDP11S211GN3R11000	A-290	\$39,210
EDP11S242GN12	A-283	\$40,755
EDP11S242GN1201000	A-285	\$41,613
EDP11S242GN1210000	A-284	\$53,334
EDP11S242GN1211000	A-286	\$54,097
EDP11S242GN3R	A-287	\$45,693
EDP11S242GN3R01000	A-289	\$46,456
EDP11S242GN3R10000	A-288	\$58,272
EDP11S242GN3R11000	A-290	\$59,035
EDP11S312GN12	A-283	\$45,114
EDP11S312GN1201000	A-285	\$45,972
EDP11S312GN1210000	A-284	\$59,257
EDP11S312GN1211000	A-286	\$60,115
EDP11S312GN3R	A-287	\$50,053
EDP11S312GN3R01000	A-289	\$50,911
EDP11S312GN3R10000	A-288	\$64,196
EDP11S312GN3R11000	A-290	\$65,054
EDP11S370GN12	A-283	\$47,743
EDP11S370GN1201000	A-285	\$48,601
EDP11S370GN1210000	A-284	\$62,146
EDP11S370GN1211000	A-286	\$63,004
EDP11S370GN3R	A-287	\$52,682
EDP11S370GN3R01000	A-289	\$53,540
EDP11S370GN3R10000	A-288	\$67,085
EDP11S370GN3R11000	A-290	\$67,943
EDP11S477GN12	A-283	\$54,585
EDP11S477GN1201000	A-285	\$55,443
EDP11S477GN1210000	A-284	\$76,618
EDP11S477GN1211000	A-286	\$77,476
EDP11S477GN3R	A-287	\$59,523
EDP11S477GN3R01000	A-289	\$60,381
EDP11S477GN3R10000	A-288	\$81,556
EDP11S477GN3R11000	A-290	\$82,414
EDP11S515GN12	A-283	\$66,023
EDP11S515GN1201000	A-285	\$66,881
EDP11S515GN1210000	A-284	\$88,056
EDP11S515GN1211000	A-286	\$88,914
EDP11S515GN3R	A-287	\$71,976
EDP11S515GN3R01000	A-289	\$72,834
EDP11S515GN3R10000	A-288	\$94,009
EDP11S515GN3R11000	A-290	\$94,867
EDP11S601GN12	A-283	\$71,875
EDP11S601GN1201000	A-285	\$72,733
EDP11S601GN1210000	A-284	\$99,447
EDP11S601GN1211000	A-286	\$100,305
EDP11S601GN3R	A-287	\$77,828
EDP11S601GN3R01000	A-289	\$78,686
EDP11S601GN3R10000	A-288	\$105,400
EDP11S601GN3R11000	A-290	\$106,258
EDP11S720GN12	A-283	\$88,556
EDP11S720GN1201000	A-285	\$89,414
EDP11S720GN1210000	A-284	\$119,944

Catalog Number	Page	List Price
EDP11S720GN1211000	A-286	\$120,802
EDP11S720GN3R	A-287	\$94,509
EDP11S720GN3R01000	A-289	\$95,367
EDP11S720GN3R10000	A-288	\$125,897
EDP11S720GN3R11000	A-290	\$126,755
ESW-105V18E-R44	A-305	\$975
ESW-105V18E-R45	A-305	\$975
ESW-105V24E-R45	A-305	\$975
ESW-105V47E-R44	A-305	\$975
ESW-12V18E-R30	A-305	\$174
ESW-12V47E-R30	A-305	\$174
ESW-18V18E-R32	A-305	\$188
ESW-18V24E-R32	A-305	\$188
ESW-18V47E-R32	A-305	\$188
ESW-25V18E-R33	A-305	\$223
ESW-25V24E-R33	A-305	\$223
ESW-25V47E-R33	A-305	\$223
ESW-32V18E-R34	A-305	\$245
ESW-32V24E-R34	A-305	\$245
ESW-32V47E-R34	A-305	\$245
ESW-40V18E-R35	A-305	\$292
ESW-40V24E-R35	A-305	\$292
ESW-40V47E-R35	A-305	\$292
ESW-50V18E-R38	A-305	\$350
ESW-50V24E-R38	A-305	\$350
ESW-50V47E-R38	A-305	\$350
ESW-65V18E-R39	A-305	\$375
ESW-65V24E-R39	A-305	\$375
ESW-65V47E-R39	A-305	\$375
ESW-80V18E-R41	A-305	\$421
ESW-80V24E-R41	A-305	\$421
ESW-80V47E-R41	A-305	\$421
ESW-95V18E-R43	A-305	\$876
ESW-95V24E-R43	A-305	\$876
ESW-95V47E-R43	A-305	\$876
ESW-9V18E-R23	A-305	\$157
ESW-9V18E-R24	A-305	\$157
ESW-9V18E-R25	A-305	\$157
ESW-9V18E-R26	A-305	\$157
ESW-9V18E-R27	A-305	\$157
ESW-9V18E-R28	A-305	\$157
ESW-9V18E-R29	A-305	\$157
ESW-9V24E-R23	A-305	\$157
ESW-9V24E-R25	A-305	\$157
ESW-9V24E-R26	A-305	\$157
ESW-9V24E-R27	A-305	\$157
ESW-9V24E-R28	A-305	\$157
ESW-9V24E-R29	A-305	\$157
ESW-9V47E-R23	A-305	\$157
ESW-9V47E-R24	A-305	\$157
ESW-9V47E-R25	A-305	\$157
ESW-9V47E-R26	A-305	\$157
ESW-9V47E-R27	A-305	\$157
ESW-9V47E-R28	A-305	\$157
ESWC-105T02N4-R43	A-314	\$3,015
ESWC-105T02N4-R44	A-314	\$3,050
ESWC-105T04N4-R43	A-314	\$3,015
ESWC-105T04N4-R44	A-314	\$3,050

Catalog Number	Page	List Price
ESWC-105T05N4-R43	A-314	\$3,015
ESWC-105T05N4-R44	A-314	\$3,050
ESWC-105V18N4-R43	A-313	\$2,765
ESWC-105V18N4-R44	A-313	\$2,800
ESWC-105V24N4-R43	A-313	\$2,765
ESWC-105V24N4-R44	A-313	\$2,800
ESWC-105V47N4-R43	A-313	\$2,765
ESWC-105V47N4-R44	A-313	\$2,800
ESWC-150T02N4-R48	A-314	\$5,610
ESWC-150T02N4-R49	A-314	\$5,690
ESWC-150T04N4-R48	A-314	\$5,610
ESWC-150T04N4-R49	A-314	\$5,690
ESWC-150T05N4-R48	A-314	\$5,610
ESWC-150T05N4-R49	A-314	\$5,690
ESWC-150V18N4-R48	A-313	\$5,210
ESWC-150V18N4-R49	A-313	\$5,290
ESWC-150V24N4-R48	A-313	\$5,210
ESWC-150V24N4-R49	A-313	\$5,290
ESWC-150V47N4-R48	A-313	\$5,210
ESWC-150V47N4-R49	A-313	\$5,290
ESWC-180T02N4-R49	A-314	\$5,930
ESWC-180T04N4-R49	A-314	\$5,930
ESWC-180T05N4-R49	A-314	\$5,930
ESWC-180V18N4-R49	A-313	\$5,530
ESWC-180V24N4-R49	A-313	\$5,530
ESWC-180V47N4-R49	A-313	\$5,530
ESWC-25T02N4-R27	A-314	\$1,835
ESWC-25T02N4-R28	A-314	\$1,835
ESWC-25T02N4-R30	A-314	\$1,835
ESWC-25T02N4-R32	A-314	\$1,880
ESWC-25T02N4-R33	A-314	\$1,880
ESWC-25T04N4-R27	A-314	\$1,835
ESWC-25T04N4-R28	A-314	\$1,835
ESWC-25T04N4-R30	A-314	\$1,835
ESWC-25T04N4-R32	A-314	\$1,880
ESWC-25T04N4-R33	A-314	\$1,880
ESWC-25T05N4-R27	A-314	\$1,835
ESWC-25T05N4-R28	A-314	\$1,835
ESWC-25T05N4-R30	A-314	\$1,835
ESWC-25T05N4-R32	A-314	\$1,880
ESWC-25T05N4-R33	A-314	\$1,880
ESWC-25V18N4-R27	A-313	\$1,635
ESWC-25V18N4-R28	A-313	\$1,635
ESWC-25V18N4-R30	A-313	\$1,635
ESWC-25V18N4-R32	A-313	\$1,680
ESWC-25V18N4-R33	A-313	\$1,680
ESWC-25V24N4-R27	A-313	\$1,635
ESWC-25V24N4-R28	A-313	\$1,635
ESWC-25V24N4-R30	A-313	\$1,680
ESWC-25V24N4-R32	A-313	\$1,680
ESWC-25V24N4-R33	A-313	\$1,680
ESWC-25V47N4-R27	A-313	\$1,635
ESWC-25V47N4-R28	A-313	\$1,635
ESWC-25V47N4-R30	A-313	\$1,635
ESWC-25V47N4-R32	A-313	\$1,680
ESWC-25V47N4-R33	A-313	\$1,680
ESWC-300T02N4-R50	A-314	\$9,070
ESWC-300T02N4-R51	A-314	\$9,650

Catalog Number	Page	List Price
ESWC-300T04N4-R50	A-314	\$9,070
ESWC-300T04N4-R51	A-314	\$9,650
ESWC-300T05N4-R50	A-314	\$9,070
ESWC-300T05N4-R51	A-314	\$9,650
ESWC-300V18N4-R50	A-313	\$8,670
ESWC-300V18N4-R51	A-313	\$9,250
ESWC-300V24N4-R50	A-313	\$8,670
ESWC-300V24N4-R51	A-313	\$9,250
ESWC-300V47N4-R50	A-313	\$8,670
ESWC-300V47N4-R51	A-313	\$9,250
ESWC-40T02N4-R34	A-314	\$1,965
ESWC-40T02N4-R35	A-314	\$2,050
ESWC-40T02N4-R37	A-314	\$2,180
ESWC-40T04N4-R34	A-314	\$1,965
ESWC-40T04N4-R35	A-314	\$2,050
ESWC-40T04N4-R37	A-314	\$2,180
ESWC-40T05N4-R34	A-314	\$1,965
ESWC-40T05N4-R35	A-314	\$2,050
ESWC-40T05N4-R37	A-314	\$2,180
ESWC-40V18N4-R34	A-313	\$1,765
ESWC-40V18N4-R35	A-313	\$1,850
ESWC-40V18N4-R37	A-313	\$1,980
ESWC-40V24N4-R34	A-313	\$1,765
ESWC-40V24N4-R35	A-313	\$1,850
ESWC-40V24N4-R37	A-313	\$1,980
ESWC-40V47N4-R34	A-313	\$1,765
ESWC-40V47N4-R35	A-313	\$1,850
ESWC-40V47N4-R37	A-313	\$1,980
ESWC-65T02N4-R39	A-314	\$2,320
ESWC-65T02N4-R41	A-314	\$2,410
ESWC-65T04N4-R39	A-314	\$2,320
ESWC-65T04N4-R41	A-314	\$2,410
ESWC-65T05N4-R39	A-314	\$2,320
ESWC-65T05N4-R41	A-314	\$2,410
ESWC-65V18N4-R39	A-313	\$2,070
ESWC-65V18N4-R41	A-313	\$2,160
ESWC-65V24N4-R39	A-313	\$2,070
ESWC-65V24N4-R41	A-313	\$2,160
ESWC-65V47N4-R39	A-313	\$2,070
ESWC-65V47N4-R41	A-313	\$2,160
ESWE-18T02KX-D11	A-315	\$1,155
ESWE-18T04KX-D11	A-315	\$1,155
ESWE-18T05KX-D11	A-315	\$1,155
ESWE-18V18KX-D11	A-315	\$875
ESWE-18V24KX-D11	A-315	\$875
ESWE-18V47KX-D11	A-315	\$875
ESWE-25T02KX-D12	A-315	\$1,175
ESWE-25T04KX-D12	A-315	\$1,175
ESWE-25T05KX-D12	A-315	\$1,175
ESWE-25V18KX-D12	A-315	\$900
ESWE-25V24KX-D12	A-315	\$900
ESWE-25V47KX-D12	A-315	\$900
ESWE-40T02KX-D14	A-315	\$1,260
ESWE-40T04KX-D14	A-315	\$1,260
ESWE-40T05KX-D14	A-315	\$1,260
ESWE-40V18KX-D14	A-315	\$990
ESWE-40V24KX-D14	A-315	\$990
ESWE-40V47KX-D14	A-315	\$990

Catalog Number	Page	List Price
ESWE-9T02KX-D06	A-315	\$1,140
ESWE-9T02KX-D07	A-315	\$1,140
ESWE-9T02KX-D08	A-315	\$1,140
ESWE-9T02KX-D09	A-315	\$1,140
ESWE-9T02KX-D10	A-315	\$1,140
ESWE-9T04KX-D05	A-315	\$1,140
ESWE-9T04KX-D06	A-315	\$1,140
ESWE-9T04KX-D07	A-315	\$1,140
ESWE-9T04KX-D08	A-315	\$1,140
ESWE-9T04KX-D09	A-315	\$1,140
ESWE-9T04KX-D10	A-315	\$1,140
ESWE-9T05KX-D05	A-315	\$1,140
ESWE-9T05KX-D06	A-315	\$1,140
ESWE-9T05KX-D07	A-315	\$1,140
ESWE-9T05KX-D08	A-315	\$1,140
ESWE-9T05KX-D09	A-315	\$1,140
ESWE-9T05KX-D10	A-315	\$1,140
ESWE-9V18KX-D05	A-315	\$855
ESWE-9V18KX-D06	A-315	\$855
ESWE-9V18KX-D07	A-315	\$855
ESWE-9V18KX-D08	A-315	\$855
ESWE-9V18KX-D09	A-315	\$855
ESWE-9V18KX-D10	A-315	\$865
ESWE-9V24KX-D06	A-315	\$855
ESWE-9V24KX-D07	A-315	\$855
ESWE-9V24KX-D08	A-315	\$855
ESWE-9V24KX-D09	A-315	\$855
ESWE-9V24KX-D10	A-315	\$865
ESWE-9V47KX-D05	A-315	\$855
ESWE-9V47KX-D06	A-315	\$855
ESWE-9V47KX-D07	A-315	\$855
ESWE-9V47KX-D08	A-315	\$855
ESWE-9V47KX-D09	A-315	\$855
ESWE-9V47KX-D10	A-315	\$865
ESWF-105T02N4-D24	A-317	\$2,635
ESWF-105T04N4-D24	A-317	\$2,635
ESWF-105T05N4-D24	A-317	\$2,635
ESWF-105V18N4-D24	A-316	\$2,435
ESWF-105V24N4-D24	A-316	\$2,435
ESWF-105V47N4-D24	A-316	\$2,435
ESWF-18T02N4-D11	A-317	\$1,400
ESWF-18T04N4-D11	A-317	\$1,400
ESWF-18T05N4-D11	A-317	\$1,400
ESWF-18V18N4-D11	A-316	\$1,300
ESWF-18V24N4-D11	A-316	\$1,300
ESWF-18V47N4-D11	A-316	\$1,300
ESWF-25T02N4-D12	A-317	\$1,490
ESWF-25T04N4-D12	A-317	\$1,490
ESWF-25T05N4-D12	A-317	\$1,490
ESWF-25V18N4-D12	A-316	\$1,390
ESWF-25V24N4-D12	A-316	\$1,390
ESWF-25V47N4-D12	A-316	\$1,390
ESWF-40T02N4-D14	A-317	\$1,620
ESWF-40T04N4-D14	A-317	\$1,620
ESWF-40T05N4-D14	A-317	\$1,620
ESWF-40V18N4-D14	A-316	\$1,470
ESWF-40V24N4-D14	A-316	\$1,470
ESWF-40V47N4-D14	A-316	\$1,470

Catalog Number	Page	List Price
ESWF-50T02N4-D14	A-317	\$1,990
ESWF-50T04N4-D19	A-317	\$1,990
ESWF-50T05N4-D19	A-317	\$1,990
ESWF-50V18N4-D19	A-316	\$1,840
ESWF-50V24N4-D19	A-316	\$1,840
ESWF-50V47N4-D19	A-316	\$1,840
ESWF-65T02N4-D20	A-317	\$2,120
ESWF-65T04N4-D20	A-317	\$2,120
ESWF-65T05N4-D20	A-317	\$2,120
ESWF-65V18N4-D20	A-316	\$1,920
ESWF-65V24N4-D20	A-316	\$1,920
ESWF-65V47N4-D20	A-316	\$1,920
ESWF-80T02N4-D21	A-317	\$2,210
ESWF-80T04N4-D21	A-317	\$2,210
ESWF-80T05N4-D21	A-317	\$2,210
ESWF-80V18N4-D21	A-316	\$2,010
ESWF-80V24N4-D21	A-316	\$2,010
ESWF-80V47N4-D21	A-316	\$2,010
ESWF-95T02N4-D22	A-317	\$2,350
ESWF-95T02N4-D23	A-317	\$2,465
ESWF-95T04N4-D22	A-317	\$2,350
ESWF-95T04N4-D23	A-317	\$2,465
ESWF-95T05N4-D22	A-317	\$2,350
ESWF-95T05N4-D23	A-317	\$2,465
ESWF-95V18N4-D22	A-316	\$2,150
ESWF-95V18N4-D23	A-316	\$2,265
ESWF-95V24N4-D22	A-316	\$2,150
ESWF-95V24N4-D23	A-316	\$2,265
ESWF-95V47N4-D22	A-316	\$2,150
ESWF-95V47N4-D23	A-316	\$2,265
ESWF-9T02N4-D06	A-317	\$1,325
ESWF-9T02N4-D07	A-317	\$1,325
ESWF-9T02N4-D08	A-317	\$1,325
ESWF-9T02N4-D09	A-317	\$1,325
ESWF-9T02N4-D10	A-317	\$1,325
ESWF-9T04N4-D05	A-317	\$1,325
ESWF-9T04N4-D06	A-317	\$1,325
ESWF-9T04N4-D07	A-317	\$1,325
ESWF-9T04N4-D08	A-317	\$1,325
ESWF-9T04N4-D09	A-317	\$1,325
ESWF-9T04N4-D10	A-317	\$1,325
ESWF-9T05N4-D05	A-317	\$1,325
ESWF-9T05N4-D06	A-317	\$1,325
ESWF-9T05N4-D07	A-317	\$1,325
ESWF-9T05N4-D08	A-317	\$1,325
ESWF-9T05N4-D09	A-317	\$1,325
ESWF-9T05N4-D10	A-317	\$1,325
ESWF-9V18N4-D05	A-316	\$1,225
ESWF-9V18N4-D06	A-316	\$1,225
ESWF-9V18N4-D07	A-316	\$1,225
ESWF-9V18N4-D08	A-316	\$1,225
ESWF-9V18N4-D09	A-316	\$1,225
ESWF-9V18N4-D10	A-316	\$1,225
ESWF-9V24N4-D06	A-316	\$1,225
ESWF-9V24N4-D07	A-316	\$1,225
ESWF-9V24N4-D08	A-316	\$1,225
ESWF-9V24N4-D09	A-316	\$1,225
ESWF-9V24N4-D10	A-316	\$1,225

Catalog Number	Page	List Price
ESWF-9V47N4-D05	A-316	\$1,225
ESWF-9V47N4-D06	A-316	\$1,225
ESWF-9V47N4-D07	A-316	\$1,225
ESWF-9V47N4-D08	A-316	\$1,225
ESWF-9V47N4-D09	A-316	\$1,225
ESWF-9V47N4-D10	A-316	\$1,225
ESWS-12V18E-RM31	A-306	\$161
ESWS-12V24E-RM31	A-306	\$161
ESWS-18V18E-RM32	A-306	\$170
ESWS-18V24E-RM32	A-306	\$170
ESWS-25V18E-RM33	A-306	\$180
ESWS-25V18E-RM34	A-306	\$180
ESWS-25V24E-RM33	A-306	\$180
ESWS-25V24E-RM34	A-306	\$180
ESWS-40V18E-RM35	A-306	\$274
ESWS-50V24E-RM36	A-306	\$330
ESWS-50V24E-RM38	A-306	\$330
ESWS-65V24E-RM38	A-306	\$350
ESWS-9V18E-RM28	A-306	\$135
ESWS-9V18E-RM29	A-306	\$135
ESWS-9V24E-RM26	A-306	\$135
ESWS-9V24E-RM27	A-306	\$135
ESWS-9V24E-RM28	A-306	\$135
ESWS-9V24E-RM30	A-306	\$135
ESWX-105V18A79-R43	A-324	\$4,600
ESWX-105V18A79-R44	A-324	\$4,600
ESWX-105V18A79-R45	A-324	\$4,600
ESWX-105V18E79-R43	A-324	\$3,870
ESWX-105V18E79-R44	A-324	\$3,870
ESWX-105V18E79-R45	A-324	\$3,870
ESWX-105V24A79-R43	A-324	\$4,600
ESWX-105V24A79-R45	A-324	\$4,600
ESWX-105V24E79-R43	A-324	\$3,870
ESWX-105V24E79-R45	A-324	\$3,870
ESWX-105V47A79-R43	A-324	\$4,600
ESWX-105V47A79-R44	A-324	\$4,600
ESWX-105V47E79-R43	A-324	\$3,870
ESWX-105V47E79-R44	A-324	\$3,870
ESWX-25V18A79-R23	A-324	\$3,850
ESWX-25V18A79-R24	A-324	\$3,850
ESWX-25V18A79-R25	A-324	\$3,850
ESWX-25V18A79-R26	A-324	\$3,850
ESWX-25V18A79-R27	A-324	\$3,850
ESWX-25V18A79-R28	A-324	\$3,850
ESWX-25V18A79-R29	A-324	\$3,850
ESWX-25V18A79-R30	A-324	\$3,850
ESWX-25V18A79-R32	A-324	\$3,850
ESWX-25V18A79-R33	A-324	\$3,850
ESWX-25V18E79-R23	A-324	\$3,250
ESWX-25V18E79-R24	A-324	\$3,250
ESWX-25V18E79-R25	A-324	\$3,250
ESWX-25V18E79-R26	A-324	\$3,250
ESWX-25V18E79-R27	A-324	\$3,250
ESWX-25V18E79-R28	A-324	\$3,250
ESWX-25V18E79-R29	A-324	\$3,250
ESWX-25V18E79-R30	A-324	\$3,250
ESWX-25V18E79-R32	A-324	\$3,250
ESWX-25V18E79-R33	A-324	\$3,250

Catalog Number	Page	List Price
ESWX-25V24A79-R23	A-324	\$3,850
ESWX-25V24A79-R25	A-324	\$3,850
ESWX-25V24A79-R26	A-324	\$3,850
ESWX-25V24A79-R27	A-324	\$3,850
ESWX-25V24A79-R28	A-324	\$3,850
ESWX-25V24A79-R29	A-324	\$3,850
ESWX-25V24A79-R32	A-324	\$3,850
ESWX-25V24A79-R33	A-324	\$3,850
ESWX-25V24E79-R23	A-324	\$3,250
ESWX-25V24E79-R25	A-324	\$3,250
ESWX-25V24E79-R26	A-324	\$3,250
ESWX-25V24E79-R27	A-324	\$3,250
ESWX-25V24E79-R28	A-324	\$3,250
ESWX-25V24E79-R29	A-324	\$3,250
ESWX-25V24E79-R32	A-324	\$3,250
ESWX-25V24E79-R33	A-324	\$3,250
ESWX-25V47A79-R23	A-324	\$3,850
ESWX-25V47A79-R24	A-324	\$3,850
ESWX-25V47A79-R25	A-324	\$3,850
ESWX-25V47A79-R26	A-324	\$3,850
ESWX-25V47A79-R27	A-324	\$3,850
ESWX-25V47A79-R28	A-324	\$3,850
ESWX-25V47A79-R30	A-324	\$3,850
ESWX-25V47A79-R32	A-324	\$3,850
ESWX-25V47A79-R33	A-324	\$3,850
ESWX-25V47E79-R23	A-324	\$3,250
ESWX-25V47E79-R24	A-324	\$3,250
ESWX-25V47E79-R25	A-324	\$3,250
ESWX-25V47E79-R26	A-324	\$3,250
ESWX-25V47E79-R27	A-324	\$3,250
ESWX-25V47E79-R28	A-324	\$3,250
ESWX-25V47E79-R30	A-324	\$3,250
ESWX-25V47E79-R32	A-324	\$3,250
ESWX-25V47E79-R33	A-324	\$3,250
ESWX-40V18A79-R34	A-324	\$3,950
ESWX-40V18A79-R35	A-324	\$3,950
ESWX-40V18E79-R34	A-324	\$3,300
ESWX-40V18E79-R35	A-324	\$3,300
ESWX-40V24A79-R34	A-324	\$3,950
ESWX-40V24A79-R35	A-324	\$3,950
ESWX-40V24E79-R34	A-324	\$3,300
ESWX-40V24E79-R35	A-324	\$3,300
ESWX-40V47A79-R34	A-324	\$3,950
ESWX-40V47A79-R35	A-324	\$3,950
ESWX-40V47E79-R34	A-324	\$3,300
ESWX-40V47E79-R35	A-324	\$3,300
ESWX-80V18A79-R38	A-324	\$4,050
ESWX-80V18A79-R39	A-324	\$4,050
ESWX-80V18A79-R41	A-324	\$4,050
ESWX-80V18E79-R38	A-324	\$3,400
ESWX-80V18E79-R39	A-324	\$3,400
ESWX-80V18E79-R41	A-324	\$3,420
ESWX-80V24A79-R38	A-324	\$4,050
ESWX-80V24A79-R39	A-324	\$4,050
ESWX-80V24A79-R41	A-324	\$4,050
ESWX-80V24E79-R38	A-324	\$3,400
ESWX-80V24E79-R39	A-324	\$3,400
ESWX-80V24E79-R41	A-324	\$3,420

Catalog Number	Page	List Price
ESWX-80V47A79-R38	A-324	\$4,050
ESWX-80V47A79-R39	A-324	\$4,050
ESWX-80V47A79-R41	A-324	\$4,050
ESWX-80V47E79-R38	A-324	\$3,400
ESWX-80V47E79-R39	A-324	\$3,400
ESWX-80V47E79-R41	A-324	\$3,420
ESWX-M100R79-U075	A-322	\$3,350
ESWX-M100R79-U090	A-322	\$3,350
ESWX-M100R79-U100	A-322	\$3,350
ESWX-M16A79-D016	A-321	\$1,595
ESWX-M16A79-D025	A-321	\$1,595
ESWX-M16A79-D063	A-321	\$1,595
ESWX-M16A79-U001	A-321	\$1,595
ESWX-M16A79-U004	A-321	\$1,595
ESWX-M16A79-U010	A-321	\$1,595
ESWX-M16A79-U016	A-321	\$1,595
ESWX-M25R79-D016	A-322	\$2,200
ESWX-M25R79-D025	A-322	\$2,200
ESWX-M25R79-D063	A-322	\$2,200
ESWX-M25R79-U001	A-322	\$2,200
ESWX-M25R79-U004	A-322	\$2,200
ESWX-M25R79-U010	A-322	\$2,200
ESWX-M25R79-U016	A-322	\$2,200
ESWX-M25R79-U020	A-322	\$2,200
ESWX-M25R79-U025	A-322	\$2,200
ESWX-M25R79-U032	A-322	\$2,200
ESWX-M65R79-U040	A-322	\$2,600
ESWX-M65R79-U050	A-322	\$2,600
ESWX-M65R79-U065	A-322	\$2,600
GH1001	A-272	\$470
GH1002	A-272	\$470
GH1003	A-272	\$470
GH1004	A-272	\$460
GH1005	A-272	\$460
GH1006	A-272	\$460
GH2001	A-273	\$651
GH2002	A-273	\$651
GH2003	A-273	\$651
GH2004	A-273	\$656
GH2005	A-273	\$663
GH2006	A-273	\$663
GH2007	A-273	\$663
GH2008	A-273	\$653
GH2009	A-273	\$653
GH2010	A-273	\$653
GH2011	A-273	\$667
GH3301	A-274	\$581
GH3302	A-274	\$581
GH3303	A-274	\$581
GH3304	A-274	\$581
GH3305	A-274	\$581
GL2001	A-273	\$656
GL2002	A-273	\$667
GL2003	A-273	\$658
GL2004	A-273	\$658
GPH2005PC2000	A-297	\$3,900
GPH2005PC2001	A-298	\$4,395
GPH2005QC2000	A-295	\$3,650

Catalog Number	Page	List Price
GPH2005QC2001	A-296	\$4,145
GPH2007PC2000	A-297	\$4,032
GPH2007PC2001	A-298	\$4,527
GPH2007QC2000	A-295	\$3,750
GPH2007QC2001	A-296	\$4,245
GPH2010PC2000	A-297	\$4,243
GPH2010PC2001	A-298	\$4,738
GPH2010PC4000	A-297	\$3,900
GPH2010PC4001	A-298	\$4,395
GPH2010QC2000	A-295	\$3,900
GPH2010QC2001	A-296	\$4,395
GPH2010QC4000	A-295	\$3,650
GPH2010QC4001	A-296	\$4,145
GPH2015PC2000	A-297	\$4,865
GPH2015PC2001	A-298	\$5,360
GPH2015PC4000	A-297	\$4,032
GPH2015PC4001	A-298	\$4,527
GPH2015QC2000	A-295	\$4,300
GPH2015QC2001	A-296	\$4,795
GPH2015QC4000	A-295	\$3,750
GPH2015QC4001	A-296	\$4,245
GPH2020PC4000	A-297	\$4,243
GPH2020PC4001	A-298	\$4,738
GPH2020QC4000	A-295	\$3,900
GPH2020QC4001	A-296	\$4,395
GPH2025PC2000	A-297	\$5,412
GPH2025PC2001	A-298	\$5,907
GPH2025QC2000	A-295	\$4,800
GPH2025QC2001	A-296	\$5,295
GPH2030PC2000	A-297	\$6,585
GPH2030PC2001	A-298	\$7,080
GPH2030PC4000	A-297	\$4,865
GPH2030PC4001	A-298	\$5,360
GPH2030QC2000	A-295	\$5,800
GPH2030QC2001	A-296	\$6,295
GPH2030QC4000	A-295	\$4,300
GPH2030QC4001	A-296	\$4,795
GPH2050PC2000	A-297	\$8,260
GPH2050PC2001	A-298	\$8,755
GPH2050PC4000	A-297	\$5,412
GPH2050PC4001	A-298	\$5,907
GPH2050QC2000	A-295	\$6,990
GPH2050QC2001	A-296	\$7,485
GPH2050QC4000	A-295	\$4,800
GPH2050QC4001	A-296	\$5,295
GPH2060PC2000	A-297	\$9,013
GPH2060PC2001	A-298	\$9,508
GPH2060QC2000	A-295	\$7,500
GPH2060QC2001	A-296	\$7,995
GPH2075PC2000	A-297	\$10,350
GPH2075PC2001	A-298	\$10,845
GPH2075PC4000	A-297	\$6,585
GPH2075PC4001	A-298	\$7,080
GPH2075QC2000	A-295	\$8,450
GPH2075QC2001	A-296	\$8,945
GPH2075QC4000	A-295	\$5,800
GPH2075QC4001	A-296	\$6,295
GPH2100PC2000	A-297	\$12,965

Catalog Number	Page	List Price
GPH2100PC2001	A-298	\$13,460
GPH2100PC4000	A-297	\$8,260
GPH2100PC4001	A-298	\$8,755
GPH2100QC2000	A-295	\$10,700
GPH2100QC2001	A-296	\$11,195
GPH2100QC4000	A-295	\$6,990
GPH2100QC4001	A-296	\$7,485
GPH2125PC2000	A-297	\$14,847
GPH2125PC2001	A-298	\$15,342
GPH2125PC4000	A-297	\$9,013
GPH2125PC4001	A-298	\$9,508
GPH2125QC2000	A-295	\$11,880
GPH2125QC2001	A-296	\$12,375
GPH2125QC4000	A-295	\$7,500
GPH2125QC4001	A-296	\$7,995
GPH2150PC2000	A-297	\$15,706
GPH2150PC2001	A-298	\$16,201
GPH2150PC4000	A-297	\$10,350
GPH2150PC4001	A-298	\$10,845
GPH2150QC2000	A-295	\$12,700
GPH2150QC2001	A-296	\$13,195
GPH2150QC4000	A-295	\$8,450
GPH2150QC4001	A-296	\$8,945
GPH2175PC2000	A-297	\$21,075
GPH2175PC2001	A-298	\$21,570
GPH2175QC2000	A-295	\$14,500
GPH2175QC2001	A-296	\$14,995
GPH2200PC4000	A-297	\$12,965
GPH2200PC4001	A-298	\$13,460
GPH2200QC4000	A-295	\$10,700
GPH2200QC4001	A-296	\$11,195
GPH2250PC4000	A-297	\$14,847
GPH2250PC4001	A-298	\$15,342
GPH2250QC4000	A-295	\$11,880
GPH2250QC4001	A-296	\$12,375
GPH2300PC4000	A-297	\$15,706
GPH2300PC4001	A-298	\$16,201
GPH2300QC4000	A-295	\$12,700
GPH2300QC4001	A-296	\$13,195
GPH2350PC4000	A-297	\$21,075
GPH2350PC4001	A-298	\$21,570
GPH2350QC4000	A-295	\$14,500
GPH2350QC4001	A-296	\$14,995
H311007101	A-120	\$4,210
H311007102	A-120	\$4,953
H311007103	A-121	\$4,155
H311007104	A-121	\$4,924
KESWFP	A-306	\$80
KESWHP	A-306	\$80
KESWHS	A-306	\$130
KESWPE	A-306	\$80
KESWPP	A-306	\$25
KESWPS	A-306	\$80
MH1601	A-270	\$258
MH4301	A-270	\$337
MH4401	A-270	\$344
ML1601	A-270	\$228
ML4301	A-270	\$351

Catalog Number	Page	List Price
ML4401	A-270	\$372
MT-031	A-142,A-269	\$175
MT-032	A-142,A-269	\$225
MT-033	A-142,A-269	\$197
MT-034	A-142,A-269	\$289
MT-035	A-142,A-269	\$258
MT-037	A-142,A-269	\$289
MT-038	A-142	\$600
MT-039	A-142	\$646
MT-040	A-142	\$751
MT-041	A-142,A-269	\$175
MT-042	A-142,A-269	\$197
MT-043	A-142,A-269	\$225
MT-044	A-142,A-269	\$258
PCJ105H	A-177	\$236
PCJ107	A-178	\$236
PCJ107H	A-177	\$263
PCJ110	A-178	\$263
PCJ110H	A-177	\$300
PCJ115	A-178	\$300
PCJ115H	A-177	\$400
PCJ120	A-178	\$400
PCJ120H	A-177	\$486
PCJ125	A-178	\$486
PCQ103H	A-177	\$231
PCQ105	A-178	\$231
PCQ105H	A-177	\$241
PCQ107	A-178	\$241
PCQ107H	A-177	\$275
PCQ110	A-178	\$275
PCQ110H	A-177	\$320
PCQ115	A-178	\$320
PCQ115H	A-177	\$411
PCQ120	A-178	\$411
PCQ120H	A-177	\$500
PCQ125	A-178	\$500
PESW-105V18AX-R44	A-308	\$1,199
PESW-105V18AX-R45	A-308	\$1,199
PESW-105V18EX-R44	A-308	\$1,184
PESW-105V18EX-R45	A-308	\$1,184
PESW-105V24AX-R45	A-308	\$1,199
PESW-105V24EX-R45	A-308	\$1,184
PESW-105V47AX-R44	A-308	\$1,199
PESW-105V47EX-R44	A-308	\$1,184
PESW-12V18AX-R30	A-308	\$227
PESW-12V18EX-R30	A-308	\$174
PESW-12V47AX-R30	A-308	\$227
PESW-12V47EX-R30	A-308	\$174
PESW-18V18AX-R32	A-308	\$241
PESW-18V18EX-R32	A-308	\$188
PESW-18V24AX-R32	A-308	\$241
PESW-18V24EX-R32	A-308	\$188
PESW-18V47AX-R32	A-308	\$241
PESW-18V47EX-R32	A-308	\$188
PESW-25V18AX-R33	A-308	\$276
PESW-25V18EX-R33	A-308	\$223
PESW-25V24AX-R33	A-308	\$276
PESW-25V24EX-R33	A-308	\$223

Catalog Number	Page	List Price
PESW-25V47AX-R33	A-308	\$276
PESW-25V47EX-R33	A-308	\$223
PESW-32V18AX-R34	A-308	\$298
PESW-32V18EX-R34	A-308	\$262
PESW-32V24AX-R34	A-308	\$298
PESW-32V24EX-R34	A-308	\$262
PESW-32V47AX-R34	A-308	\$298
PESW-32V47EX-R34	A-308	\$262
PESW-40V18AX-R35	A-308	\$345
PESW-40V18EX-R35	A-308	\$321
PESW-40V24AX-R35	A-308	\$345
PESW-40V24EX-R35	A-308	\$321
PESW-40V47AX-R35	A-308	\$345
PESW-40V47EX-R35	A-308	\$321
PESW-50V18AX-R38	A-308	\$579
PESW-50V18EX-R38	A-308	\$564
PESW-50V24AX-R38	A-308	\$579
PESW-50V24EX-R38	A-308	\$564
PESW-50V47AX-R38	A-308	\$579
PESW-50V47EX-R38	A-308	\$564
PESW-65V18AX-R39	A-308	\$604
PESW-65V18EX-R39	A-308	\$589
PESW-65V24AX-R39	A-308	\$604
PESW-65V24EX-R39	A-308	\$589
PESW-65V47AX-R39	A-308	\$604
PESW-65V47EX-R39	A-308	\$589
PESW-80V18AX-R41	A-308	\$650
PESW-80V18EX-R41	A-308	\$635
PESW-80V24AX-R41	A-308	\$650
PESW-80V24EX-R41	A-308	\$635
PESW-80V47AX-R41	A-308	\$650
PESW-80V47EX-R41	A-308	\$635
PESW-95V18AX-R43	A-308	\$1,100
PESW-95V18EX-R43	A-308	\$1,085
PESW-95V24AX-R43	A-308	\$1,100
PESW-95V24EX-R43	A-308	\$1,085
PESW-95V47AX-R43	A-308	\$1,100
PESW-95V47EX-R43	A-308	\$1,085
PESW-9V18AX-R23	A-308	\$210
PESW-9V18AX-R24	A-308	\$210
PESW-9V18AX-R25	A-308	\$210
PESW-9V18AX-R26	A-308	\$210
PESW-9V18AX-R27	A-308	\$210
PESW-9V18AX-R28	A-308	\$210
PESW-9V18AX-R29	A-308	\$210
PESW-9V18EX-R23	A-308	\$157
PESW-9V18EX-R24	A-308	\$157
PESW-9V18EX-R25	A-308	\$157
PESW-9V18EX-R26	A-308	\$157
PESW-9V18EX-R27	A-308	\$157
PESW-9V18EX-R28	A-308	\$157
PESW-9V18EX-R29	A-308	\$157
PESW-9V24AX-R23	A-308	\$210
PESW-9V24AX-R25	A-308	\$210
PESW-9V24AX-R26	A-308	\$210
PESW-9V24AX-R27	A-308	\$210
PESW-9V24AX-R28	A-308	\$210
PESW-9V24AX-R29	A-308	\$210

Catalog Number	Page	List Price
PESW-9V24EX-R23	A-308	\$157
PESW-9V24EX-R25	A-308	\$157
PESW-9V24EX-R26	A-308	\$157
PESW-9V24EX-R27	A-308	\$157
PESW-9V24EX-R28	A-308	\$157
PESW-9V24EX-R29	A-308	\$157
PESW-9V47AX-R23	A-308	\$210
PESW-9V47AX-R24	A-308	\$210
PESW-9V47AX-R25	A-308	\$210
PESW-9V47AX-R26	A-308	\$210
PESW-9V47AX-R27	A-308	\$210
PESW-9V47AX-R28	A-308	\$210
PESW-9V47EX-R23	A-308	\$157
PESW-9V47EX-R24	A-308	\$157
PESW-9V47EX-R25	A-308	\$157
PESW-9V47EX-R26	A-308	\$157
PESW-9V47EX-R27	A-308	\$157
PESW-9V47EX-R28	A-308	\$157
PESWS-12V18AX-RM31	A-309	\$170
PESWS-12V18EX-RM31	A-309	\$161
PESWS-12V24AX-RM31	A-309	\$170
PESWS-12V24EX-RM31	A-309	\$161
PESWS-18V18AX-RM32	A-309	\$182
PESWS-18V18EX-RM32	A-309	\$170
PESWS-18V24AX-RM32	A-309	\$182
PESWS-18V24EX-RM32	A-309	\$170
PESWS-25V18AX-RM33	A-309	\$195
PESWS-25V18AX-RM34	A-309	\$195
PESWS-25V18EX-RM33	A-309	\$180
PESWS-25V18EX-RM34	A-309	\$180
PESWS-25V24AX-RM33	A-309	\$195
PESWS-25V24AX-RM34	A-309	\$195
PESWS-25V24EX-RM33	A-309	\$180
PESWS-25V24EX-RM34	A-309	\$180
PESWS-40V18AX-RM35	A-309	\$300
PESWS-40V18EX-RM35	A-309	\$274
PESWS-50V24AX-RM36	A-309	\$440
PESWS-50V24AX-RM38	A-309	\$440
PESWS-50V24EX-RM36	A-309	\$430
PESWS-50V24EX-RM38	A-309	\$430
PESWS-65V24AX-RM38	A-309	\$480
PESWS-65V24EX-RM38	A-309	\$460
PESWS-9V18AX-RM28	A-309	\$155
PESWS-9V18AX-RM29	A-309	\$155
PESWS-9V18EX-RM28	A-309	\$140
PESWS-9V18EX-RM29	A-309	\$140
PESWS-9V24AX-RM26	A-309	\$155
PESWS-9V24AX-RM27	A-309	\$155
PESWS-9V24AX-RM28	A-309	\$155
PESWS-9V24AX-RM30	A-309	\$155
PESWS-9V24EX-RM26	A-309	\$140
PESWS-9V24EX-RM27	A-309	\$140
PESWS-9V24EX-RM28	A-309	\$140
PESWS-9V24EX-RM30	A-309	\$140
SRMP D51	A-323	\$56
SRMP D59	A-323	\$56
SRMP D65	A-323	\$56

Catalog Number	Page	List Price
SSW7000C100T211N2	A-331	\$58,322
SSW7000C100T411N2	A-331	\$65,721
SSW7000C120T211N2	A-331	\$58,684
SSW7000C120T411N2	A-331	\$67,347
SSW7000C150T211N2	A-331	\$60,294
SSW7000C150T411N2	A-331	\$68,901
SSW7000C180T211N2	A-331	\$61,749
SSW7000C180T411N2	A-331	\$70,728
SSW7000C210T211N2	A-331	\$62,570
SSW7000C210T411N2	A-331	\$71,560
SSW7000C240T211N2	A-331	\$63,851
SSW7000C240T411N2	A-331	\$73,235
SSW7000C300T211N2	A-331	\$69,396
SSW7000C300T411N2	A-331	\$80,861
SSW7000C370T211N2	A-331	\$70,960
SSW7000C370T411N2	A-331	\$82,080
SSW7000C430T211N2	A-331	\$73,789
SSW7000C430T411N2	A-331	\$86,656
TQ1510L140SP	A-277	\$472
TQ1510R140SP	A-277	\$472
TQ1515L56SP	A-277	\$467
TQ1520L56SP	A-277	\$465
TQ1520R56SP	A-277	\$465
TQ1540L56SP	A-277	\$488
TQ1540R56SP	A-277	\$488
TQ155L140SP	A-277	\$481
TQ1560L56SP	A-277	\$465
TQ1560R56SP	A-277	\$465
TQ1810L140SP	A-277	\$488
TQ1810R140SP	A-277	\$488
TQ1815L56SP	A-277	\$484
TQ1820L56SP	A-277	\$479
TQ1820R56SP	A-277	\$479
TQ1840L56SP	A-277	\$500
TQ1840R56SP	A-277	\$500
TQ185L140SP	A-277	\$498
TQ1860L56SP	A-277	\$500
TQ1860R56SP	A-277	\$500
TQ2110L140SP	A-277	\$551
TQ2110R140SP	A-277	\$551
TQ2115L56SP	A-277	\$533
TQ2120L56SP	A-277	\$581
TQ2120R56SP	A-277	\$581
TQ2140L56SP	A-277	\$570
TQ2140R56SP	A-277	\$570
TQ215L140SP	A-277	\$551
TQ2160L56SP	A-277	\$570
TQ2160R56SP	A-277	\$570
TQ2410L140SP	A-277	\$640
TQ2410R140SP	A-277	\$640
TQ2415L56SP	A-277	\$674
TQ2420L56SP	A-277	\$674
TQ2420R56SP	A-277	\$674
TQ2440L56SP	A-277	\$674
TQ2440R56SP	A-277	\$674
TQ245L140SP	A-277	\$674
TQ2460L56SP	A-277	\$698



Catalog Number	Page	List Price
TQ2460R56SP	A-277	\$698
URMP D02	A-323	\$56
URMP V18	A-323	\$56
URMP V23	A-323	\$56
URMP V30	A-323	\$56
URMP V47	A-323	\$56



Notes:

A series of horizontal blue lines spaced evenly down the page, providing a template for handwritten notes.



Quote/Order Request Guidance



WEG's goal is to provide quick and accurate quotes to our customers and to insure orders can be processed accurately.

To assist customers in this process WEG has developed the form below to insure the minimum information required is included on the request, and to guide you where options may also be desired.

The form highlights in **red** the minimum information required to define a motor. Today, this includes destination (Country) to insure we comply with Energy Efficiency and certification regulations, and avoid rejection of the motor at the border.

This interactive form is available on our website (www.weg.net) or by scanning the QR code below. While we do not require use of this form, we encourage customers to be aware of the minimum information required and include it with their requests.

The minimum information required is:

1. Quantity
2. Destination (Country) important to insure compliance with Regulations
3. HP or kW
4. RPM
5. Efficiency level (NEMA Premium®, IE2, IE3...)
6. Enclosure
7. Frame Size (if need specific or IEC Vs NEMA)
8. Phase
9. Hz
10. Voltage
11. Mounting (Foot/Flange/both)
12. Type of flange (if flange, C, D, FF..)
13. Application – Helps understand load type



Scan the QR code above or visit www.weg.net/usmotorquote to download the form.

WEG Electric Corp.
Inquiry Form for AC Low Voltage Motors



WEG Division:	WEG Motors	Date Entered:	5/4/2017	Date Required:	5/9/2017
Submitted by:		Customer:			
WEG ref.:		Customer ref.:			
Project:		Specification:			

MOTOR DESCRIPTION:

IEC / NEMA * Application * Motor Destination

* Phase Three phase * Line 120/208/240 * Efficiency * NEMA Premium (Efficiency) * Enclosure TPC

Item	* Qty	* HP	* kW	* RPM	* Frame	* Voltage (V)	* Freq. (Hz)	* Mount	* Terminal Box Location (DE)	* Type of Flange
1										
2										
3										
4										

* If the motor is for replacement, please include the SN in the nameplate, nameplate picture, drawings, all applicable documentation available.

ELECTRICAL FEATURES:

Insulation class: / Other: Design: / Other: /
 Temperature rise (EM (B class)): / Other: Duty: S1 - Continuous Starts/hour: /
 Service factor: 1.15 Other: Rotation (From DE): / direction: * Load Torque Curve and Inertia reflected to Motor Shaft required for Gear/Shaft
 Inverter Operation: No Yes Speed range: / Torque: / Insulated DE Enclosed - NDE Brush Insulated NDE Enclosed - DE Brush

MECHANICAL FEATURES:

Protection: UPS Drive Method: / Mounting Plan: / Other: /
 Frame Material: / Fan Material (TEFC): / Name: / Color: / 3000 - Light Blue
 D.E. Bearings: / Special bearings (DE/NDE): / Other: /

ENVIRONMENTAL FEATURES:

Ambient Temperature: 40°C Other: / Altitude: 1000 Max. / Other: /
 Humidity: / Other: / Location: /
 Hazardous Area: No Yes Zone / Class: / Group: / Temperature class: /
 Division: / Other: /

LOAD INFORMATION:

Load Torque: / In Out Axial Load: / In Out Application point (x): / In Out
 Load Inertia: / In Out Radial Load: / In Out § Distance from shaft shoulder to ball pull center.

ACCESSORIES:

Speed Indicators: / Vibration sensor: / Inertia: /
 Thermal Protection: ALARM / Thermal Protection: SWITCH OFF / Inertia: /
 Bearing Protection: / Stainless Steel Fasteners: Additional Terminal Box: Internal Anti-Corrosion Epoxy Coating:

SPECIAL FEATURES REQUIRED:

TESTING REQUIRED:

Routine Test (On-addressed) Type Test (On-addressed) Vibration Test (On-addressed) Other: _____
 Routine Test (Off-addressed) Type Test (Off-addressed) Noise Level Test (On-addressed) _____

DOCUMENTATION REQUIRED:

Data Sheet Drawing Performance Curves Other: _____



- Models in blue text are NEMA Premium Efficiency

- Models in green text are NEMA Super Premium Efficiency

Catalog Notes

1	1.0 Service Factor	31	Rating is suitable for 1.0SF @ 50Hz. Also suitable for next lower HP @ 1.15SF 50Hz
2	Aluminum Frame with Removable Feet	32	Suitable for 1.15SF @ 50°C ambient
3	Automatic Reset Thermal Overload Protector	33	Suitable for 380V 60Hz when wired as YY (double WYE)
4	Manual Reset Thermal Overload Protector	34	AEGIS® Inside
5	CCW Rotation Viewed from Shaft End - Non Reversible	35	AEGIS® ring installation reduces the available "N-W" length
6	Compressor Duty	36	Super Premium
7	F2 Mount	37	Design A
8	F3 Mount	38	TEAO - Totally Enclosed Air Over
9	Rolled Steel Frame - Cannot be modified with T Box on opposite side	39	Cannot be modified with T Box on opposite side
10	Not Thermally Protected	40	NDE shaft with 3/8" drive socket
11	Metal fan - Not suitable for division 2	41	Also rated 230/460V 50Hz 1.0 SF
12	Reduced Frame	42	Rated 50°C ambient
13	Resilient Base	43	With insulated non drive end housing
14	Roller Bearing	44	With air deflector. Flange MOD not available
15	Round Body - Drip Cover Included	45	Also rated 380V 50Hz
16	Split-Phase Motor	46	56J shaft end with dual opposed threads (7/16-20 UNF-2A R.H and 3/8-16 UNF-2A L.H)
17	TENV - Totally Enclosed Non Ventilated	47	Motor designed with copper bar rotor
18	Z-Frame; Bigger Shaft Diameter and Bearings	48	Motor suitable for safe area only
19	105K Tempature Rise		
20	Round Body - Drip Cover NOT Included		
21	Stainless Steel Body		
22	Two Speed - Double Windings		
23	Two Speed - Single Winding		
24	Modified item. Usually ships in two weeks		
25	Brake rectifier suitable for 230VAC		
26	Brake rectifier suitable for 460VAC		
27	For Export Only (not to be used in the USA) due to Certification and/or Efficiency requirements.		
28	ODP Fan Cooled		
29	Standard Efficiency		
30	High Efficiency (EPACT)		