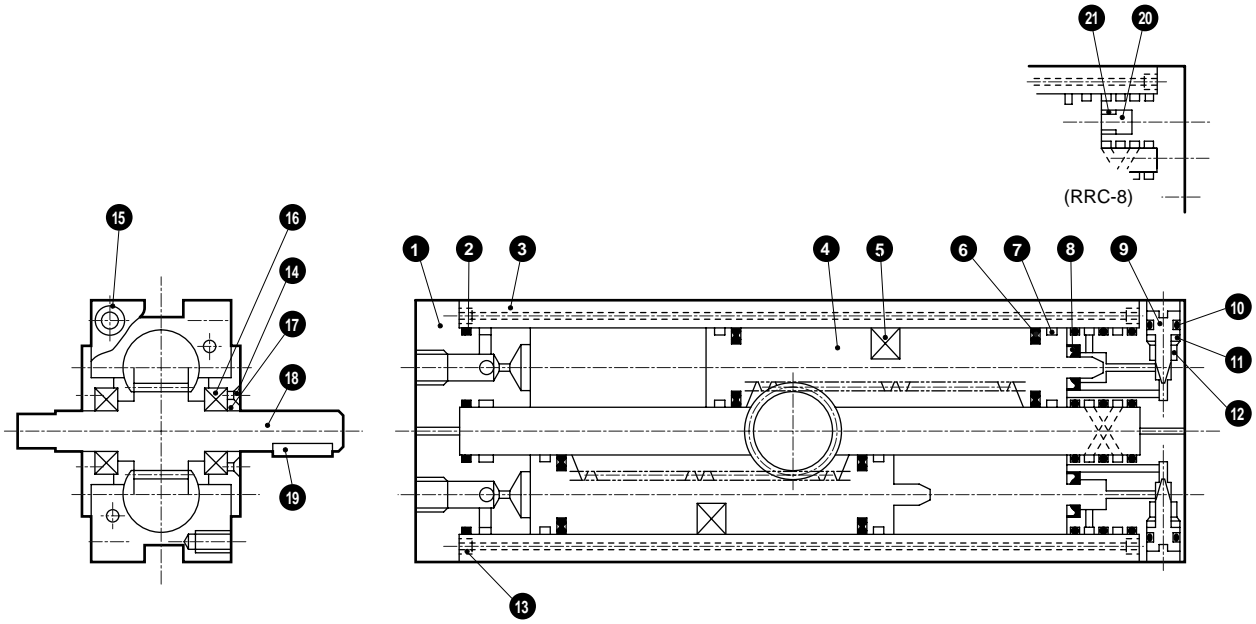
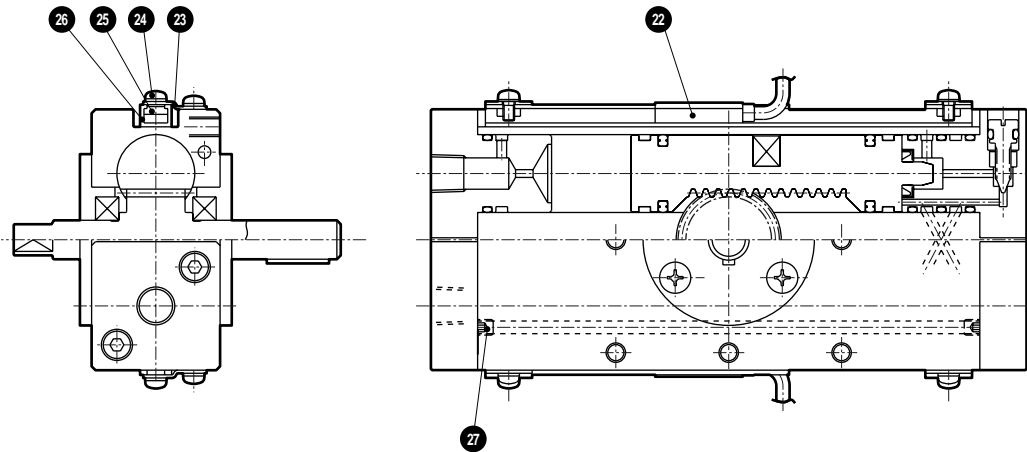


Internal structure and parts list

● Standard type



● With switch



No.	Parts name	Material	Remarks	No.	Parts name	Material	Remarks
1	Cap (2)	Aluminum alloy		16	Bearing	--	
2	Cap gasket	Nitrile rubber		17	Cover	Aluminum alloy	
3	Body	Aluminum alloy		18	Shaft	Steel	
4	Piston	Stainless steel		19	Key	Steel	
5	Magnet	Plastic		20	Cushion rubber	Urethane rubber	Only RRC-8
6	Piston packing seal	Nitrile rubber		21	DU bush	--	Only RRC-8
7	Wear ring	Acetar resin		22	Switch	--	
8	Cushion packing seal	Nitrile rubber	RRC-8 is excluded.	23	Stop plate	Stainless steel	
9	Needle	Copper alloy	RRC-8 is excluded.	24	Washer assembly cross headed pan	Steel	
10	Needle gasket	Nitrile rubber	RRC-8 is excluded.	25	Lock nut	Stainless steel	
11	Cap (1)	Aluminum alloy		26	Switch rail	Aluminum alloy	
12	U nut	Steel	RRC-8 is excluded.	27	Hexagon socket head set screw	Steel	
13	Hexagon socket head set screw	Alloy steel					
14	Cross headed flat head screw	Steel					
15	Hexagon socket bolt	Alloy steel					

Repair parts list

Model no.	Kit No.	Repair parts number
RRC-8	RRC-8K	
RRC-32	RRC-32K	2 6 7 8 10
RRC-63	RRC-63K	

Note: Specify the kit no. when placing an order.