

Flow Sensor for Compressed Air PFD Series

FLOW SENSOR FOR COMPRESSED AIR PFD SERIES



Contributing to global environment energy conservation control

Plan

Understand current state

- Measure current flow
- Review corrective action

Action

Correct or continue

- Standardize consumption rate in system and line
- Horizontally develop to other lines

Do

Implement corrective action

- Stop air pressure supply when idle
- Shorten blow time
- Use energy-saving nozzle
- Low pressure

Check

Confirm effect

- Measure with flow sensor
- Calculates costs with integrating function

Flow sensor for compressed air

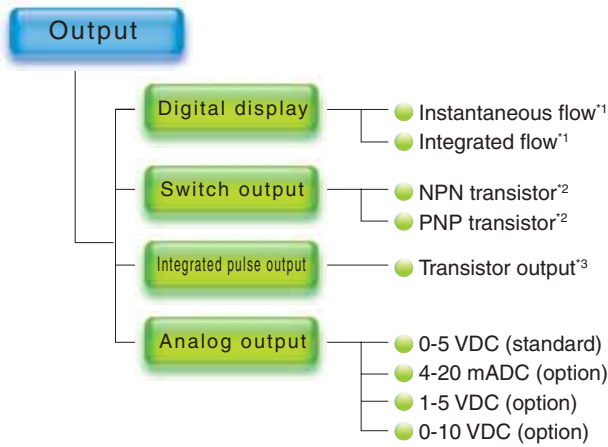
FLUEREX

PFD Series

Compressed air flow sensor PFD Series Excellent for checking current energy consumption and effect



Ample output variations



- *1. Switch between instant and integrated flow in one touch.
- *2. Select NPN or PNP for switch output.
Two output points are provided, one point for the PFK Series. **New**
- *3. Easily change one switch output to integrated pulse output. **New**

RoHS directive complied

Harmful substances such as lead and hexavalent chrome that adversely affect the global environment are not used in the materials.



Optimum for ISO 14001 acquisition

Large flow rate types compatible with controlling energy saving in the each plant are available. This component is indispensable for acquiring International Standard Organization ISO14001 certification for your environment management system. This sensor also functions as a flow sensor for general industrial machines.

Covering a wide range of flow rates with 11 models

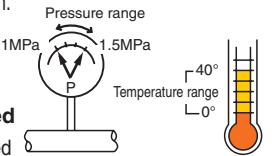
Standard (port size)	Kit (port size)	Flow rate range [L/min. (normal)]				
		10	100	1,000	10,000	100,000
PFD-501 (Rc3/8)	PFK-501 (Rc1/2)		25	500		
PFD-102 (Rc1/2)	PFK-102 (Rc1/2)		50	1000		
PFD-202 (Rc3/4)	PFK-202 (Rc1)		100	2000		
PFD-402 (Rc1)	PFK-402 (Rc1)		200	4000		
PFD-802 (Rc1 1/2)	PFK-802 (Rc1 1/2)		400	8000		
PFD-163 (Rc2)				800	16000	

* PKF Series uses coupler connection.

Eliminate compensation - read directly with a digital gauge

Bothersome pressure compensation and temperature correction are not required. The digitally displayed value can be directly read in.

- **Pressure compensation not required** 0.1MPa ~ 1.5MPa
Detection of mass flow
- **Temperature correction not required**
Automatic temperature correction integrated



Outstanding general accuracy ±4% F.S.

General accuracy of ±4%F.S. is realized without compensation between 10 and 30 and 0.2 to 0.7 MPa.

$$\text{Total precision} = \pm \sqrt{(\text{linearity})^2 + (\text{temperature characteristics})^2 + (\text{pressure characteristics})^2}$$

(Note) The general accuracy is a reference value which includes all errors including errors caused by fluctuation in the temperature or pressure and errors such as linearity.

Portable kit

Five types of tester kits containing a sensor, monitor, and piping, etc. in a trunk are available.

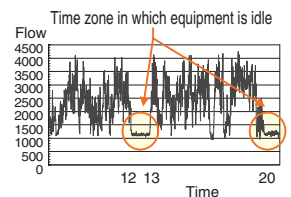
- Connect pipes and wires in one touch.



ECO-monitoring system

Monitoring is configured based on Save Net.

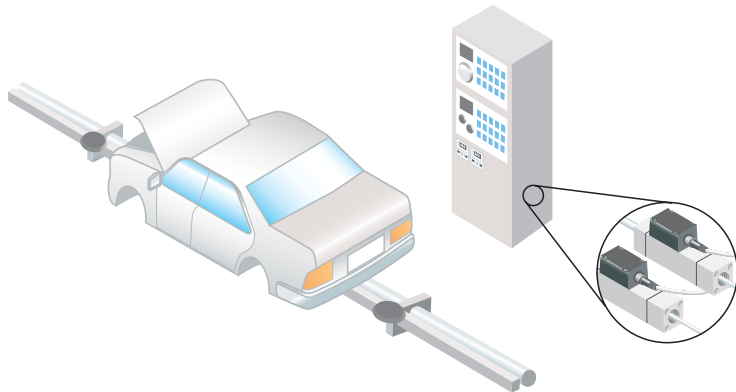
- Up to 128 devices can be connected to collect data at 3 Mbps over 1 km.



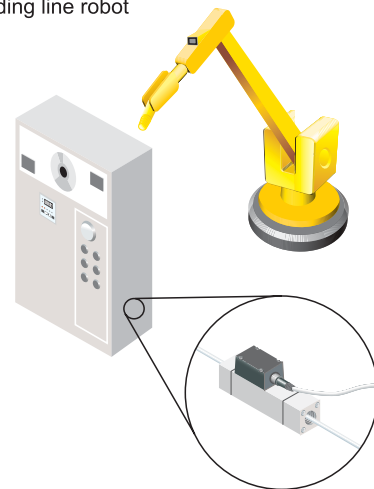
Flow sensor for compressed air applications

Controlling flow rate in automobile manufacturing lines

■ Automobile line control

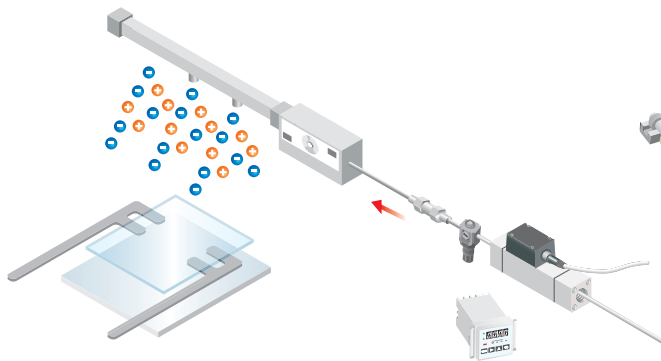


■ Welding line robot

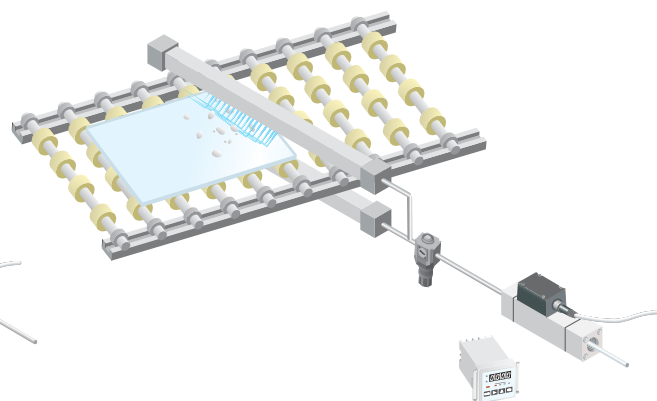


Controlling flow in FPD manufacturing

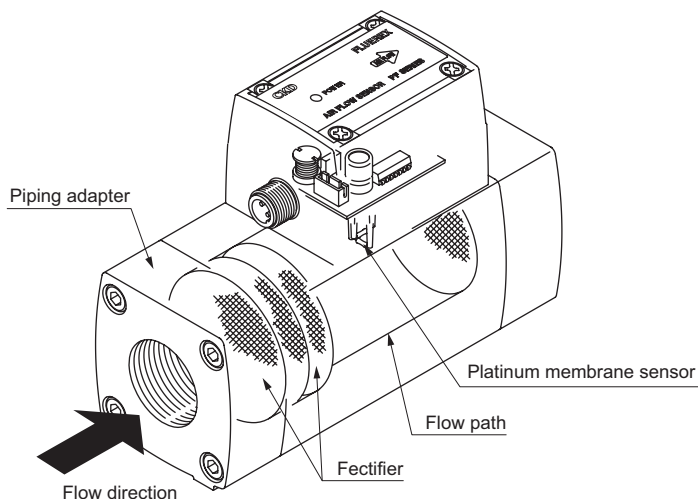
■ Ionizer



■ Air knife



Functional explanation



The Fluorix sensor consists of a rectifier passing even amounts of compressed air and a platinum membrane resistor that detects flow. Inserting a bent pipe such as an elbow just before the sensor evens the rectifier flow. Using multiple rectifier plates suppresses pressure loss, enabling a rectifier effect. When compressed air is not flowing, the platinum membrane sensor that detects flow is heated to a set temperature by the fluid temperature.

When compressed air flows, heat is lost proportional to air, so a current flows to the platinum membrane sensor circuit that detects flow. The display receives this current as the flow signal and indicates the practical atmospheric pressure, instant flow of air converted to 0°C, and cumulative flow. Compressed air temperature is measured and compensated for by the platinum membrane sensor that detects the fluid temperature.



Safety precautions

Always read this section before starting use.

When designing and manufacturing a device using CKD products, the manufacturer is obligated to check that device safety mechanism, pneumatic control circuit, or water control circuit and the system operated by electrical control that controls the devices is secured.

It is important to select, use, handle, and maintain the product appropriately to ensure that the CKD product is used safely.




Observe warnings and precautions to ensure device safety.

Check that device safety is ensured, and manufacture a safe device.

WARNING

- 1** This product is designed and manufactured as a general industrial machine part. It must be handled by an operator having sufficient knowledge and experience in handling.
- 2** Use this product in accordance of specifications.
Contact CKD when using the product outside the unique specifications range, when using it outdoors, and when using it under the conditions and environment below. Do not attempt to modify or additionally machine the product.
 - ① Use for special applications requiring safety including nuclear energy, railroad, aviation, ship, vehicle, medical equipment, equipment or applications coming into contact with beverage or food, amusement equipment, emergency shutoff circuits, press machine, brake circuits, or for safeguard.
 - ② Use for applications where life or assets could be adversely affected, and special safety measures are required.
- 3** Observe corporate standards and regulations, etc., related to the safety of device design and control, etc.
ISO 4414, JIS B 8370 (pneumatic system rules)
JPAS 005 (Principles for pneumatic cylinder use and selections)
Including High Pressure Gas Maintenance Law, Occupational Safety and Sanitation Laws, other safety rules, body standards and regulations, etc.
- 4** Do not handle, pipe, or remove devices before confirming safety.
 - ① Inspect and service the machine and devices after confirming safety of the entire system related to this product.
 - ② Note that there may be hot or charged sections even after operation is stopped.
 - ③ When inspecting or servicing the device, turn off the energy source (air supply or water supply), and turn off power to the facility. Discharge any compressed air from the system, and pay attention to possible water leakage and leakage of electricity.
 - ④ When starting or restarting a machine or device that incorporates pneumatic components, make sure that the system safety, such as pop-out prevention measures, is secured.
- 5** Observe warnings and cautions on the pages below to prevent accidents.

■ The safety cautions are ranked as "DANGER", "WARNING" and "CAUTION" in this section.

-  **DANGER** When a dangerous situation may occur if handling is mistaken leading to fatal or serious injuries, or when there is a high degree of emergency to a warning.
-  **WARNING** When a dangerous situation may occur if handling is mistaken leading to fatal or serious injuries.
-  **CAUTION** When a dangerous situation may occur if handling is mistaken leading to minor injuries or physical damage.

Note that some items described as "CAUTION" may lead to serious results depending on the situation. In any case, important information that must be observed is explained.



Pneumatic components (sensors)

Safety precautions

Be sure to read the instructions before use.

Refer to "Pneumatics, Vacuum, Auxiliary Components Catalog" (No. CB-024S) for general precautions for pneumatic components, refer to "▲Safety Precautions" of this manual for detailed precautions for each series.

Flow sensor for compressed air PFD Series

Design & Selection

1. Confirmation of specifications

▲ DANGER

- Do not use this product with flammable fluids.

▲ WARNING

- Use within the product's specific specification range.
Products in this catalog are for use only in a compressed air system. Using this product at a pressure or temperature exceeding specifications could cause ruptures or malfunctions.
- This product cannot be used as a business meter.
This product does not comply with Measurement Laws, and cannot be used for commercial business. Use this as an industrial sensor.
- Compressed air or nitrogen can be used. Do not use other fluids or the precision cannot be guaranteed.

2. Design for Safety

▲ WARNING

- Take measures to protect personnel and equipment against injury or damage if this product fails.

▲ CAUTION

- Understand compressed air features before designing a pneumatic circuit.
 - Pop-out, air discharge, or leakage due to air compression and expansion could occur.
 - Design the circuit so that compressed air in the system is exhausted.
- Check the leakage current to prevent malfunction caused by current leaking from other controllers.
 - When using a programmable controller, etc., the leakage current could cause this product to malfunction.
- The sensor and monitor of this product are independent and can be exchanged if the flow range is within the same model.
 - Sections cannot be exchanged for different flow ranges.
 - The sensor and monitor must be used as a set. Using only one will not ensure correct functions.

- The flow sensor has no moving parts but if the solenoid valve is repeatedly turned on or off, the rectifier's mesh or fixed section could move slightly and generate particles. Be sure to provide a filter on the secondary side (downstream) of the flow sensor for applications susceptible to particle generation.

3. Design per applications

▲ CAUTION

- This product is designed for compressed air, and will tolerate small amounts of leakage. Contact CKD when no leaks are tolerable.

4. Working environment

▲ DANGER

- Do not use this product in flammable atmosphere. It does not have an explosion-proof structure, so flame or fires could occur.
- There is a risk of oxygen deficiency if nitrogen gas is used for the applicable fluid. Observe the following points when handling:
 1. Use this product in a well-ventilated place.
 2. Ventilate the area while using nitrogen gas.
 3. Regularly check nitrogen gas piping for leaks.

▲ WARNING

- Do not use the product where the product is exposed to direct-sunlight or may come in contact with water or oil.
- Do not use in a corrosive environment. Use in the environment like this could result in damage or malfunction.
- Consult with CKD if ozone could occur in supplied air.
- Avoid use in ozone occurring environments.
- Keep the fluid temperature within 0 to 40°C.
Even if the temperature is within the specified range, do not use this product if the temperature could suddenly change and cause dew to condense.
- This product fails if pressure exceeding the maximum working pressure is used. Check that the pressure is less than the maximum working pressure.

- The sensor is dust-proof and drip-proof, so problems do not occur if water gets on the sensor during maintenance or cleaning. The sensor should not be exposed to water for long periods or used in places where water and oil scatter with force.

CAUTION

- Confirm that the product will withstand the working environment.
 - This product cannot be used in environments where functional obstacles could occur. Such environments include high temperatures, a chemical atmosphere, or where chemicals, vibration, moisture, water drip, coolant or gas are present; where ozone is generated;

- Use within an ambient temperature range 0 to 50°C.
- Avoid using in areas where vibration exceeds 49 m/s² and impact 294 m/s².

Securing space

CAUTION

- Ensure space around the pneumatic component for installation, removal, wiring, and piping work.

Installation & Adjustment

1. Installation

DANGER

- Use power voltage and output within the specified voltage.

When supplying compressed air after connecting piping, be sure to check for air leaks at all sections where piping is connected. If voltage exceeding the specified voltage is applied, the sensor could malfunction or be damaged, or electrical shock or fire could occur. Do not use a load exceeding the output rating.

WARNING

- Check the wire color and terminal numbers when wiring. Incorrect wiring connections could result in sensor damage, problems, and malfunctions. Check wire color and terminal numbers against the instruction manual before wiring. Insert a noise filter if required.
- Check wiring insulation.

Check that wires do not contact other circuits and that there are no ground faults or insulation faults across terminals. Overcurrent could flow in and damage the sensor.
- Separate the monitor from high-voltage wires, high voltage devices, and powered devices such as motors.
- Check that there are no swarf or wire scraps on the monitor's gland and sensor connectors before wiring.

CAUTION

- Do not remove air compressor packaging or the dust-proof cap on the piping port until just before the product is piped.
 - If the piping port cap is removed from the piping port before piping work is started, foreign matter could enter the pneumatic component from the piping port and result in faults or faulty operation.

- Do not install pneumatic components with a method that supports with pipes.

2. Confirmation before operation

CAUTION

- Apply a leakage detection agent on pipe connections with a brush, and check for air leaks.
 - Apply a leakage detection agent on pipe connections with a brush, and check for air leaks. Check that leak detection fluid does not get on resin parts. Otherwise resin could be damaged.
- Separate the cable from sources of noise such as power distribution wires. Failure to do so could result in malfunctions caused by noise.
- Do not short-circuit the output contact.

If the load is short-circuited, the overcurrent protection circuit protects the output transistor. If left as is too long, the output transistor could break.
- Do not use this product for loads generating surge voltage. When directly driving a load that generates a surge, such as a relay or solenoid valve, use a sensor with integrated surge absorbing element. Similarly, use surge countermeasures if there is a source of surge in the power supply line.
- This product cannot withstand lightning surges.

This product complies with CE Marking, but is not resistant to lightning surges. Protection must be provided on the system side.
- Do not repeatedly bend or tension to leads. Failure to observe this could lead to disconnection.
- Use the enclosed cable (3m) to wire the sensor to the monitor. Check with CKD before extending the cable.

Installation & Adjustment

3. Piping

⚠ CAUTION

■ When connecting pipes, wrap sealing tape in the opposite direction from threads starting 2 mm inside from the end of piping threads.

- If sealing tape protrudes from pipe threads, it could be cut when screwed in. This could cause the tape to enter the solenoid valve and lead to faults.



- When using a liquid sealing agent, check that it does not get on resin parts. Otherwise resin could be damaged.

■ Check that the pipe connected to the pneumatic component is not dislocated due to vibration, loosening, or pulling.

- Dislocation of piping will cause hazards.

■ Observe the following precautions when using nylon tubes or urethane tubes for piping material.

- Use a flame resistance tube or steel pipe when using in an environment where spatter could scatter.
- When using the standard push-in joint for spiral tubing, fix the base of tubing in place with a hose band. The tube will rotate and holding force will drop if not fixed.

■ Connect piping so that connections are not dislocated by system movement, vibration, or tension.

■ Always flush just before connecting to pneumatic components.

- Check that foreign matter entering during piping does not get into the air compressor.

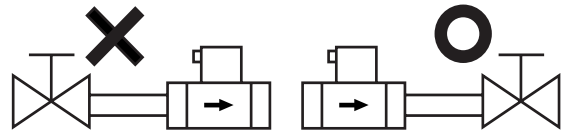
■ Apply adequate torque when connecting pipes.

- To prevent air leak and to protect thread.
- Tighten by hand first, then use a tool, to prevent screw thread damaged.

[Recommended value]

Port Thread	Tightening torqueN·m
Rc3/8	22 to 24
Rc1/2	28 to 30
Rc3/4	31 to 33
Rc1	36 to 38
Rc1 1/2	48 to 50
Rc2	54 to 56

■ When adjusting the flow with a metering valve (globe valve, ball valve, etc.), install the metering valve on the secondary side of the sensor (downstream). If the metering valve is installed on the primary side, drift (turbulent flow) could occur and result in an error.



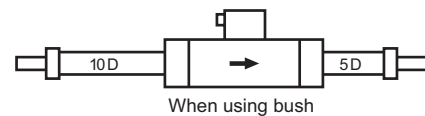
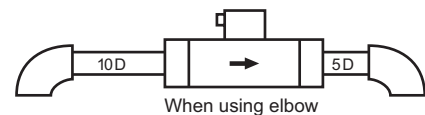
■ Do not install a regulator before the sensor. Incorrect flow could cause errors.

- When installing a pressure reduction valve on the primary side, be sure to include straight piping having an inner diameter of 10 D or more.
- * "D" indicates the pipe's inner diameter.
- Select a pressure reduction valve having sufficient flow for maximum sensor flow.

■ Check that the fluid direction and the direction indicated on the sensor are the same when piping. Otherwise reading will not be correct.

■ When using an elbow or bushing in piping, install 10 D or larger straight piping on the primary side and 5 D or larger straight piping on the secondary side.

- Be sure to provide straight piping when using the PFD-163 Series.
- Note that the bore can be changed up to one rank upward with the bushing.



■ Check that force is not applied to resin parts when piping.

4. Pneumatic pressure source

⚠ CAUTION

■ Install the air filter just before the circuit using the pneumatic component.

■ When supplying compressed air for the first time after connecting pipes, do not apply high pressure suddenly.

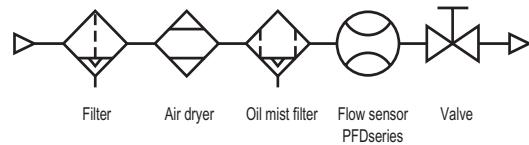
- Tube may come off and fly out, causing an accident.

Specific precautions

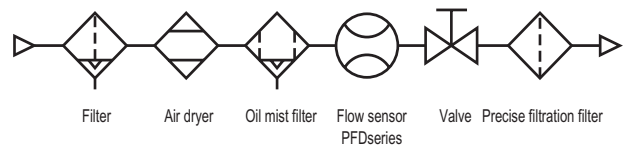
■ Air quality

- Use a CKD clean air system depending on the application.
- Use compressed air free of oxidized oil, tar, or carbon from the air compressor.
- Use compressed air free of solid foreign matter.

- Install a filter, air dryer, and oil mist filter on the primary side (upper stream side) of the sensor. The sensor's meshing rectifies flow in the pipe. It does not filter out foreign substances, so provide a filter.



When requiring ultra clean air



During Use & Maintenance

1. During use

⚠ WARNING

- A flow several times higher than the rated flow occurs if the valve connected to the sensor is suddenly opened. This can damage the platinum membrane sensor or rectifying unit and cause fluid to flow to the secondary side. Gradually open the valve connected to the sensor while checking that the monitor display does not exceed the rated flow.

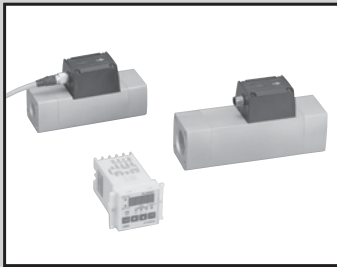
⚠ CAUTION

- If a problem occurs during operation, immediately turn power off, stop use, and contact your dealer.
- Internal settings, such as the hardware check, are made in the first 10 seconds after power is turned ON. The display and output do not function correctly during this time. If an interlock circuit is established with control system devices using switch output, an abnormal stop could occur, so mask the output during this time.
- If the output setting value is changed, control system devices could operate unintentionally. Stop devices before changing settings.
- When an interlock circuit is used, use a double interlock circuit and regularly check that operations are correct.

2. Maintenance Inspection

⚠ CAUTION

- Be sure to turn power off, stop supplied compressed air, and check that there is no residual pressure before starting maintenance.
 - This is required to ensure safety.
- Inspect the sensor at least once a year and confirm that it operates correctly.
- Do not disassemble or modify this product. Doing so could result in faults.



Flow sensor

PFD Series

- Flow rate ranges: 25 to 500, 50 to 1000, 100 to 2000, 200 to 4000
400 to 8000, 800 to 16000 L/min (normal)

Features

- Detect flow with a general accuracy of $\pm 4\%$ F.S.
- No adjustment required for pressure and temperature variations
- Flow measurements are converted to those in the reference status (0°C, 101.3 kPa) for display.
- Display and pulse output of the cumulative values are possible.
- Various functions and variations including different flow ranges and electric outputs

Specifications

Item		PFD-501-10	PFD-102-15	PFD-202-20	PFD-402-25	PFD-802-40	PFD-163-50
specifications	Flow rate range L/min (normal)	25 to 500	50 to 1000	100 to 2000	200 to 4000	400 to 8000	800 to 16000
	Port size	Rc3/8	Rc1/2	Rc3/4	Rc1	Rc1½	Rc2
working conditions	Applied fluid	Clean compressed air/nitrogen gas					
	Working air quality	JIS B8392-1: 2003/1.1.1-1.6.1 (Note 1)					
	Max. working pressure MPa	1.0					
	Min. working pressure MPa	0.1					
	Withstanding pressure MPa	1.5					
	Ambient temperature	0 to 50°C, 85% R.H. or less (no dew)					
Accuracy	Fluid temperature °C	0 to 40					
	Straightness	$\pm 3.0\%$ F.S. (0.5 MPa at 20°C)					
	Pressure characteristics	$\pm 2.0\%$ F.S. (normally 0.5 MPa in 0.2 to 0.7 MPa range)					
Accuracy	Temperature characteristics	$\pm 2.0\%$ F.S. (normally 20°C in 10 to 30°C range)					
	Pressure loss MPa	0.015 or less (maximum flow rate, 0.5MPa)					
Responsiveness	sec	2.5 or less					
output	Display	Instantaneous/integrated flow 4 digit LED display					
	Resolution L/min (normal)	1	5	5	10	20	50
	Minimum flow displayed L/min (normal)	10	20	40	80	160	320
	Integrated flow	Max. 9 digits (display switched by change key) (Note 4)					
	Analog output	Standard: 0 to 5 VDC / Option: 4 to 20 mADC, 1 to 5 V, 0 to 10 V					
	Switch output	2 points (NPN/PNP transistor output: selection type)					
	Pulse output (Note 2)	10L(normal)/pulse				100L(normal)/pulse	
Power voltage	V	24 VDC (6 W or less, excluding switch output load current)					
Cable		Accompanying (3 m, 4-core, finished outer diameter of 6, core wire: 0.5 mm ² , Insulator diameter of 1.72 mm, with connector)					
Installation	How to install the product	Both vertical and horizontal					
	Introductory straight pipe section	In: 10 D; Out: 5 D recommended (Note 3)					
Protective structure		Equivalent to IP64 (only sensor section)					
Weight	kg	1.1	1.1	1.3	1.4	1.7	4.5

Note 1: Dew could collect if ambient temperature is lower than working fluid temperature.

Defection faults could occur if oil accumulates.

This product does not have clean device specifications, so particles could form on the secondary side.

If ultra-clean air is required, a precision filtration filter should be installed on the end.

Note 2: Pulse output is used with switch output. Switch the function before use.

Note 3: A straight pipe should be installed to eliminate the effect of piping conditions. D indicates the piping bore size.

Note 4: The integrated flow value is periodically backed up. Backup can also be made manually.

Refer to page 13 for details, "Function and operation description".

How to order

- Separate display type

PFD - 501 - 10 N 0 - B

① Flow rate range

② Port size

③ Switch output

④ Analog output

⑤ Bracket (note 1)

Symbol	Description	
① Flow rate range		
501	25 to 500L /min (normal)	
102	50 to 1000L /min (normal)	
202	100 to 2000L /min (normal)	
402	200 to 4000L /min (normal)	
802	400 to 8000L /min (normal)	
163	0.80 to 16.00m ³ /min (normal)	
② Port size		
Flow rate range	501	102
10	Rc3/8	●
15	Rc1/2	●
20	Rc3/4	●
25	Rc1	●
40	Rc1½	●
50	Rc2	●
③ Switch output		
N	NPN transistor output × 2	
P	PNP transistor output × 2	
④ Analog output		
0	0 to 5 VDC	Standard
1	4 to 20 mA DC	Option
2	1 to 5 VDC	Option
3	0 to 10 VDC	Option
⑤ Bracket		
Blank	None	Standard
B	Bracket attached	Option

⚠ Note on model no. selection

Note 1: The bracket option is not available for PFD-163.

Note 2: This product consists of a sensor, monitor, and cable.

The following are indicated on the nameplate.

The model is not indicated on the cable.

Product: PFD-(A)-(B) (C) (D)-(E)

Sensor: PFD-(A)-(B)

Monitor: PFD-(A)-(C) (D)

<Example of model number>

PFD-501-10N0-B

Model no.: PFD

- ① Flow rate range : 25 to 500 L/min (normal)
- ② Port size : Rc3/8
- ③ Switch output : NPN transistor output
- ④ Analog output : 0 to 5 VDC
- ⑤ Bracket : Bracket attached

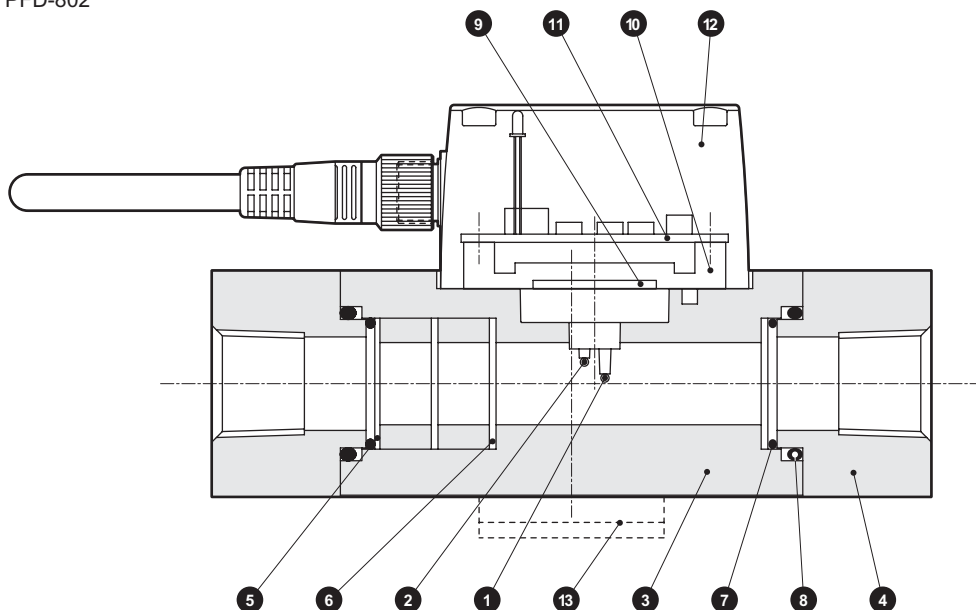
- Discrete option model no.

PFD - C3

Symbol	Description
C3	Standard cable
CW	Extension cable
B	Bracket (for 501/102/202/402)
B1	Bracket (for 802)

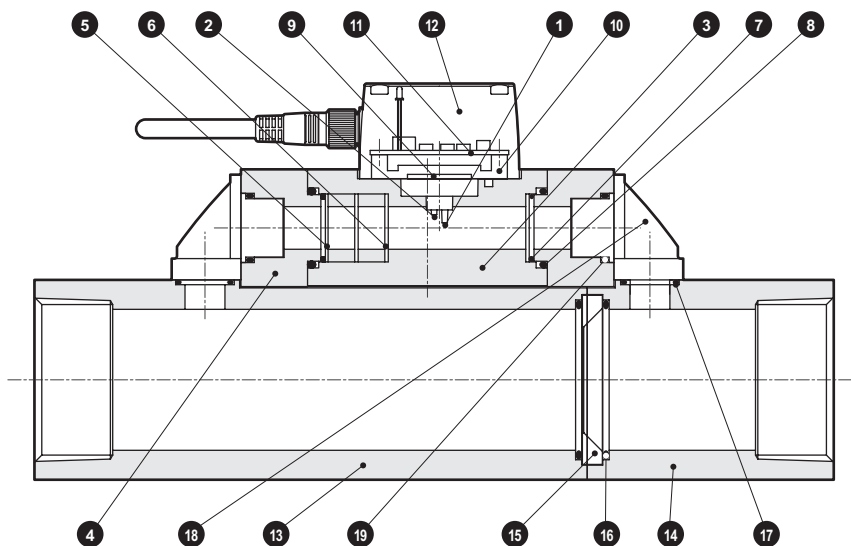
Internal structure and parts list

● PFD-501 to PFD-802



No.	Parts name	Material	No.	Parts name	Material
1	Platinum membrane sensor 1	Alumina/platinum	7	O ring	NBR : Nitrile rubber
2	Platinum membrane sensor 2	Alumina/platinum	8	O ring	NBR : Nitrile rubber
3	Body	A6063S : Aluminum alloy	9	Sensor base substrate	Glass epoxy
4	Adaptor	A6063S : Aluminum alloy	10	Sensor base	PBT : Polybutylene terephthalate
5	Rectification plate	SUS304 : Stainless steel	11	Sensor substrate	Glass epoxy
6	Mesh	SUS304 : Stainless steel	12	Cover	ABS : ABS resin
			13	Bracket	SUS304 : Stainless steel

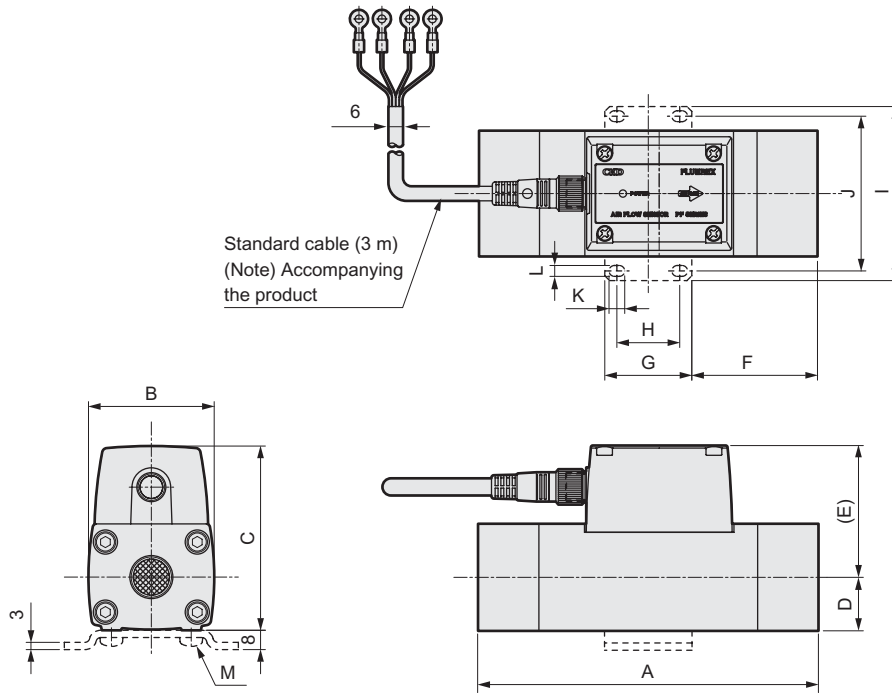
● PFD-163



No.	Parts name	Material	No.	Parts name	Material
1	Platinum membrane sensor 1	Alumina/platinum	11	Sensor PCB	Glass epoxy
2	Platinum membrane sensor 2	Alumina/platinum	12	Cover	ABS : ABS resin
3	Body	A6063S : Aluminum alloy	13	Flow path 1	A6063S : Aluminum alloy
4	Branch adapter	A6063S : Aluminum alloy	14	Flow path 2	A6063S : Aluminum alloy
5	Rectification plate	SUS304 : Stainless steel	15	orifice	C3604BD : Brass
6	Mesh	SUS304 : Stainless steel	16	O ring	NBR : Nitrile rubber
7	O ring	NBR : Nitrile rubber	17	O ring	NBR : Nitrile rubber
8	O ring	NBR : Nitrile rubber	18	Sub-attachment	SCS13 : Stainless steel
9	Sensor base substrate	Glass epoxy	19	O ring	NBR : Nitrile rubber
10	Sensor base	PBT : Polybutylene terephthalate			

Dimensions

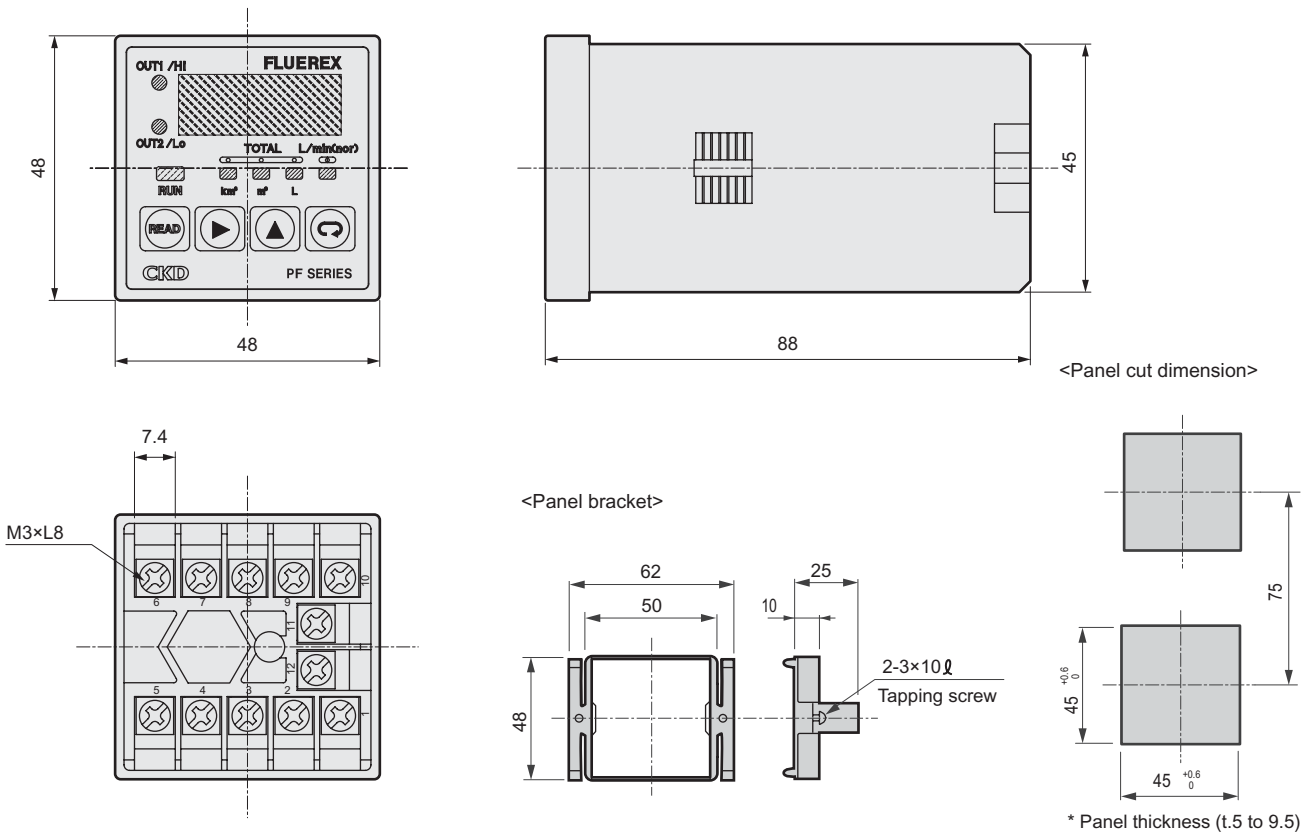
● PFD-501 to 802



Model No.	Port size
PFD-501-10	Rc3/8
PFD-102-15	Rc1/2
PFD-202-20	Rc3/4
PFD-402-25	Rc1
PFD-802-40	Rc1½

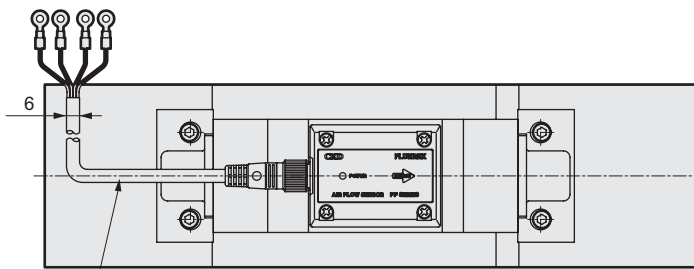
Model No.	A	B	C	D	(E)	F	G	H	I	J	K	L	M
PFD-501/102	140	52	76.2	22	54.2	52	36	26	72	64	6.5	4.5	M4 thread length 6
PFD-202	150	55	87.2	27.5	59.7	57	36	26	72	64	6.5	4.5	M4 thread length 6
PFD-402	175	55	90.7	27.5	63.2	69.5	36	26	72	64	6.5	4.5	M4 thread length 6
PFD-802	190	65	103.7	34	69.7	75	40	26	94	80	8	6	M5 thread length 8

● Monitor

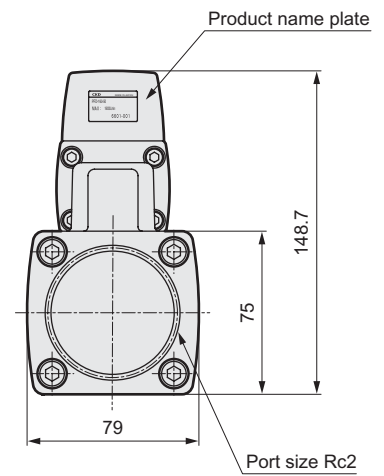
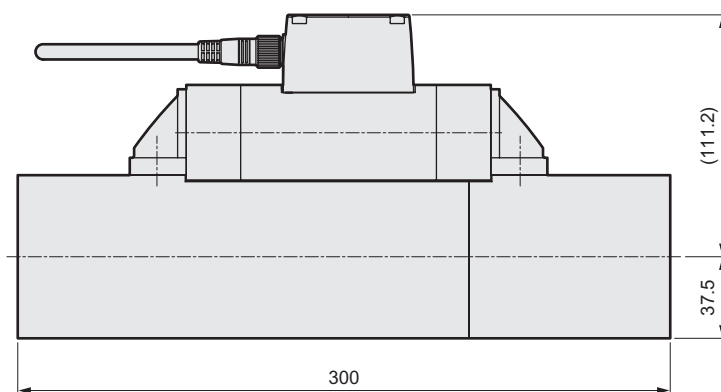


Dimensions

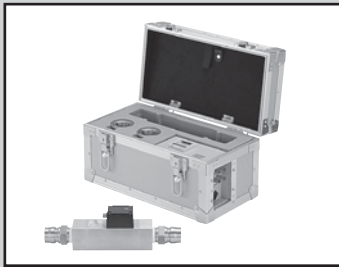
● PFD-163



Standard cable (3 m)
(Note) Accompanying the product



MEMO



Tester kit

PFK Series

Kits of air flow measurement devices enable you to instantly measure flows on site.

- Flow ranges: 25 to 500, 50 to 1000, 100 to 2000, 200 to 4000, 400 to 8000 L/min (normal)

specifications

descriptions		PFK-501-15NO	PFK-102-15NO	PFK-202-25NO	PFK-402-25NO	PFK-802-40NO
specifications	flow rate range L/min(normal)	25 to 500	50 to 1000	100 to 2000	200 to 4000	400 to 8000
	port size	Rc½		Rc1		Rc1½
working conditions	Working fluid	Clean compressed air/nitrogen gas				
	Working air quality	JIS B8392-1: 2003/1.1.1 to 1.6.1 (Note 1)				
	max. working pressure MPa	1.0				
	min. working pressure MPa	0.1				
	withstanding pressure MPa	1.5				
	Ambient temperature	0 to 50°C, 85%R.H. or less (no dew)				
Accuracy	fluid temperature °C	0 to 40				
	Straightness	±3.0% F.S. (0.5 MPa at 20°C)				
	pressure characteristics	±2.0% F.S. (normally 0.5 MPa in 0.2 to 0.7 MPa range)				
	temperature characteristics	±2.0% F.S. (normally 20°C in 10 to 30°C range)				
pressure loss MPa		0.015 or less (Max. flow, at 0.5 MPa)				
Responsiveness sec		2.5 or less				
output	display	Instantaneous/integrated flow 4 digit LED display				
	resolution L/min(normal)	1	5	5	10	20
	Minimum flow displayed L/min(normal)	10	20	40	80	160
	integrated flow	Max. 9 digits (display switched by change key) (Note 4)				
	analog output	0 to 5 VDC				
	switch output	1 (NPN transistor output) (Note5)				
	Pulse output (Note 2)	10L (normal)/pulse				
power voltage V		100 VAC (6 W or less, excluding switch output load current)				
cable		Enclosed item (for between the sensor and the monitor: 3 m; power cable: 2.5 m)				
installation	How to install the product	Both vertical and horizontal				
	Strait piping section	IN side: 10D, OUT side: 5D recommended (Note 3)				
	protective structure	Equivalent to IP64 (only sensor section)				
Weight kg		6.0		7.5		9.5

Note 1: Dew could collect if ambient temperature is lower than working fluid temperature.

Defection faults could occur if oil accumulates.

This product does not have clean device specifications, so particles could form on the secondary side.

If ultra-clean air is required, a precision filtration filter should be installed on the end.

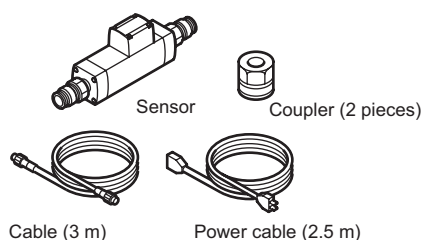
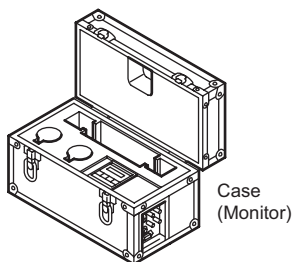
Note 2: Pulse output is used with switch output. Switch the function before use.

Note 3: A straight pipe should be installed to eliminate the effect of piping conditions. D indicates the piping bore size.

Note 4: The integrated flow value is periodically backed up. Backup can also be made manually. Refer to page 13, "Function and operation description".

Note 5: Only OUT2 can be used. OUT1 can be set, but no output terminal is available.

Product composition



How to order

● Tester kit

PFK - 402 - 25 N 0

① Flow rate range

② Port size

③ Switch output

④ Analog output

Symbol	Descriptions					
① Flow rate range						
501	25 to 500 L/min (normal)					
102	50 to 1000 L/min (normal)					
202	100 to 2000 L/min (normal)					
402	200 to 4000 L/min (normal)					
802	400 to 8000 L/min (normal)					
② Port size						
	Flow rate range	501	102	202	402	802
15	Coupler for 15 A	●	●			
25	Coupler for 25 A			●	●	
40	Coupler for 40 A					●
③ Switch output						
N	NPN transistor out put Note 1					
④ Analog output						
0	0 to 5 VDC					

⚠ Note on model no. selection

Note 1: Only OUT2 can be used. OUT1 can be set, but no output terminal is available.

Note 2: The sensor, monitor, cable, and coupler for this product are enclosed in a dedicated trunk.

Product: PFK (A) - (B) N0

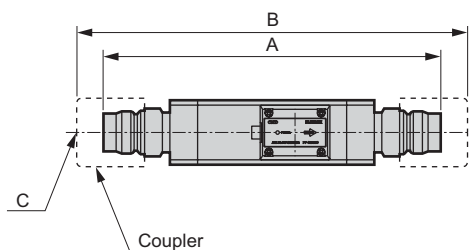
<Example of model number>

PFK-402-25N0

- ① Flow rate range : 200 to 4000 L/min (normal)
- ② Port size : Coupler for 25 A
- ③ Switch output : NPN transistor output
- ④ Analog output : 0 to 5 VDC

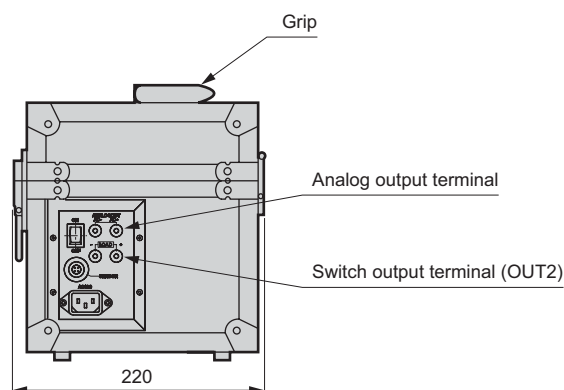
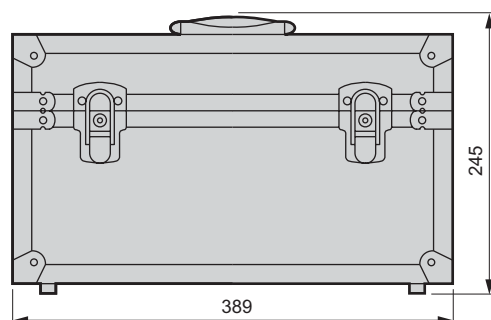
Dimensions

● PFK
Sensor



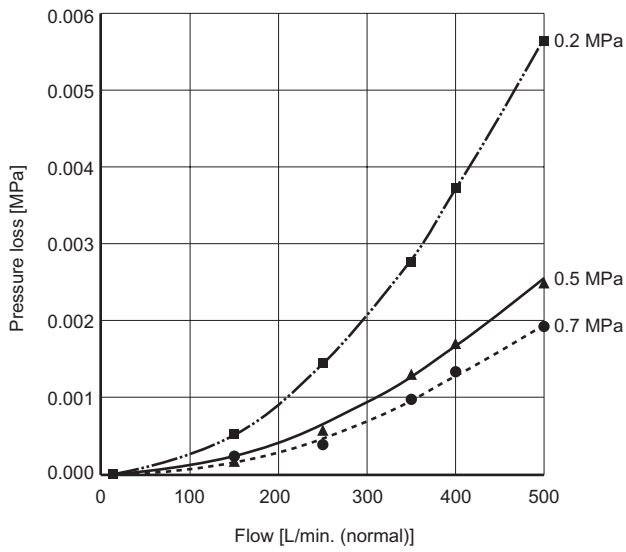
	A	B	C
Sensor for PFK-501-102	228	264	Rc½
Sensor for PFK-202	285	331	Rc1
Sensor for PFK-402	300	346	Rc1
Sensor for PFK-802	350	402	Rc1½

Case

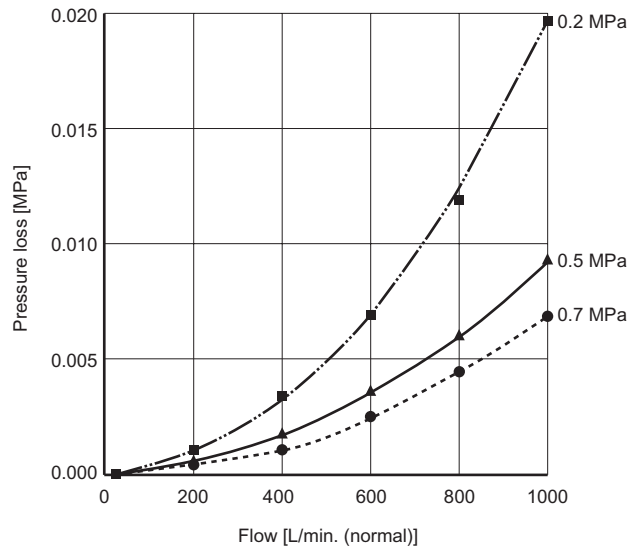


Pressure loss characteristics

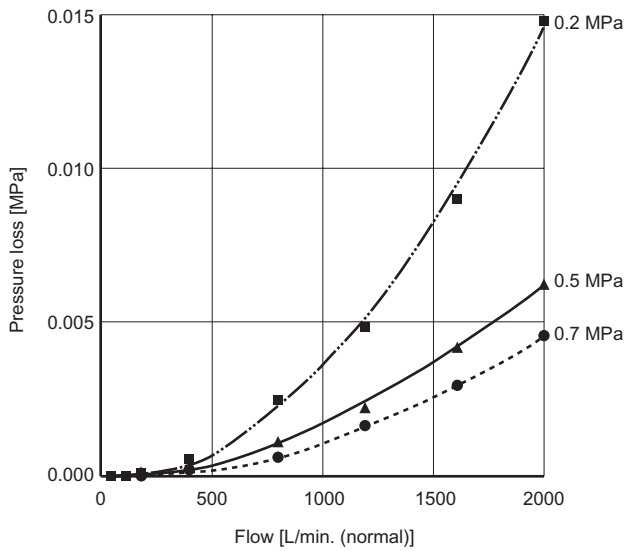
● PFD-501-10



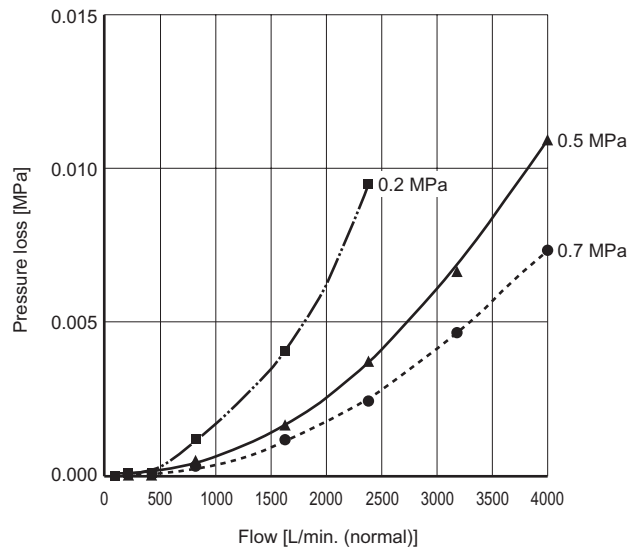
● PFD-102-15



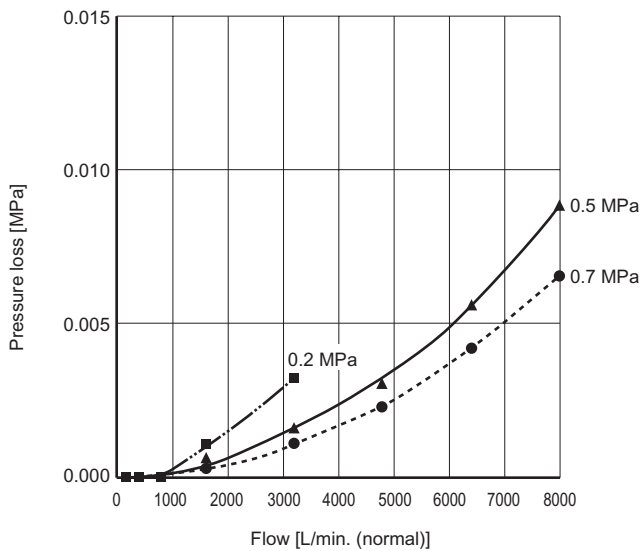
● PFD-202-20



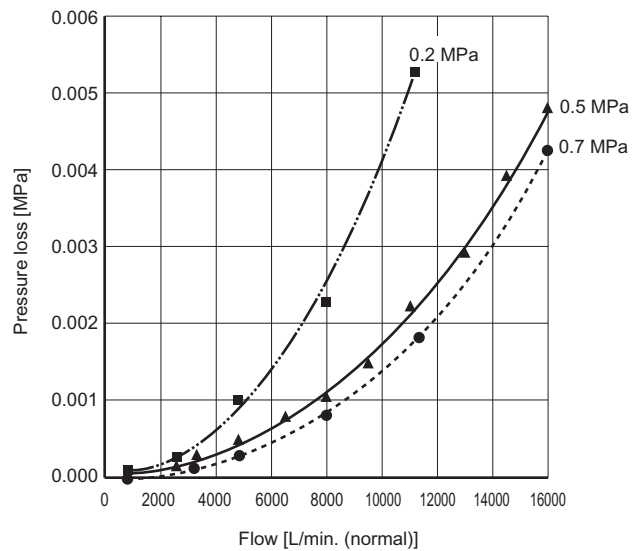
● PFD-402-25



● PFD-802-40



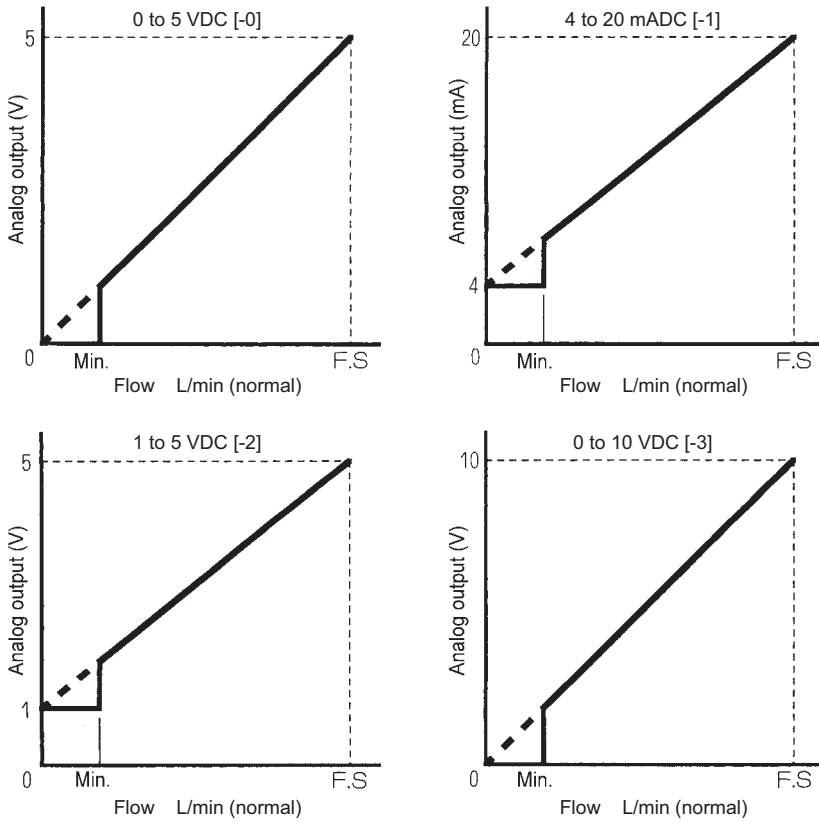
● PFD-163-50



MEMO

PFD series electric wiring

1 Analog output [Option symbol: -0 (standard), -1, -2, -3]



Load resistance of analog output

Analog output	Descriptions	Load resistance
0 to 5 VDC		50 kΩ or more
4 to 20 mA		300 kΩ or less
1 to 5 VDC		50 kΩ or more
0 to 10 VDC		50 kΩ or more

Model No.	Min. L/min. (normal)	FS L/min (normal)
PFD-501-10	25	500
PFD-102-15	50	1000
PFD-202-20	100	2000
PFD-402-25	200	4000
PFD-802-40	400	8000
PFD-163-50	800	16000

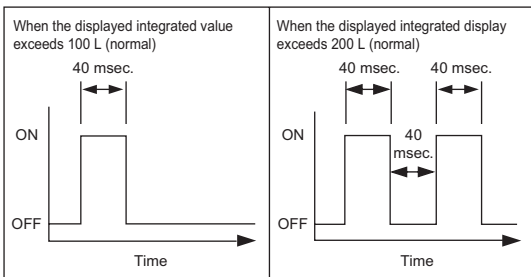
- The graph on the right shows the relationship between the flow and analog output. Note that analog output is not made normally with a flow below the minimum value.
- Do never connect the analog terminal with other terminal. Doing so could cause a failure.
- Keep wiring short to prevent the effect of noise. Separate the wire from sources of noise such as power distribution cables.

2 Integrated pulse output [Change with switch output. Only OUT2 is used.]

- The integrated pulse outputs the pulse at the following integrated value. L (normal)

Model No.	PFD-501 PFK-501	PFD-102 PFK-102	PFD-202 PFK-202	PFD-402 PFK-402	PFD-802 PFK-802	PFD-163
Integrated flow per pulse	10				100	

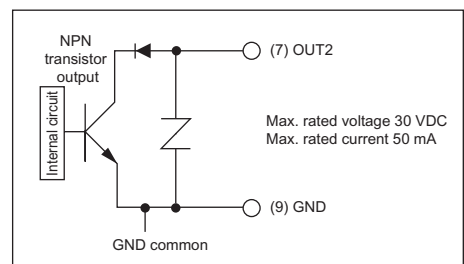
<ex> The pulse waveform for the PFD-802 is shown below.



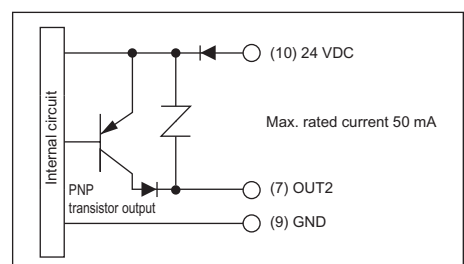
Note that the integrated display is updated at 1 sec. intervals.

- Output circuit

- ◆ For NPN output

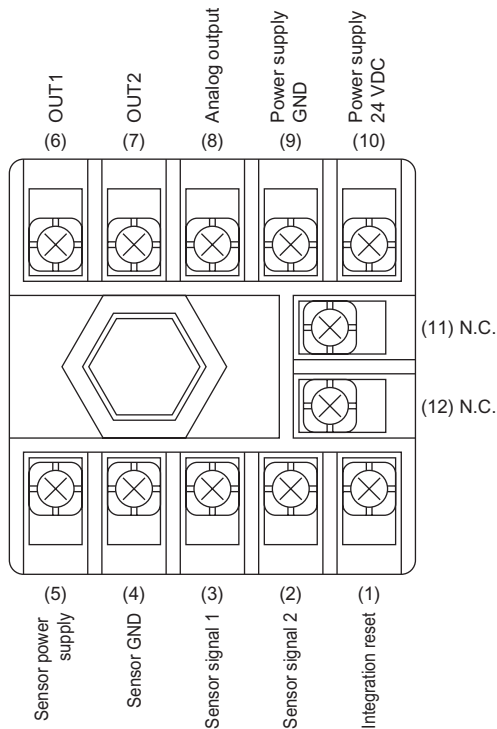


- ◆ For PNP output



3 Wiring the sensor and monitor

- Observe the following precautions when wiring.

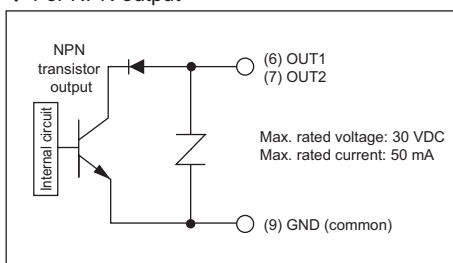


- Use the enclosed cable for wiring.
[Specifications]
With 4-core connector for DC
Finished outer diameter of 6
Core size 0.5 mm²
Insulator outer diameter of 1.72
- Check with CKD before extending the cable.

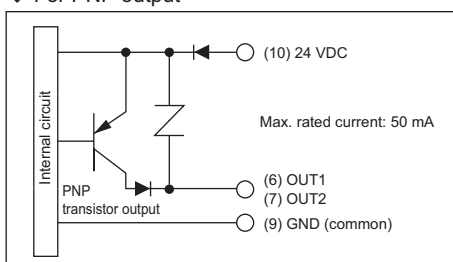
No.	Function	
1	Integration reset	Integrated flow is cleared by connecting this terminal to the (9) GND terminal.
2	Sensor signal 2	Connect to enclosed cable [black]
3	Sensor signal 1	Connect to enclosed cable [white]
4	Sensor GND	Connect to enclosed cable [blue]
5	Sensor power supply	Connect to enclosed cable [brown]
6	OUT1	NPN/PNP transistor output
7	OUT2	NPN/PNP transistor output
8	analog output	Voltage/current output
9	Power supply GND	Connect to 0 VDC power supply
10	Power supply 24 VDC	Connect to 24 VDC power supply
11	N.C.	Do not connect anything.
12	N.C.	Do not connect anything.

● Switch output circuit

◆ For NPN output

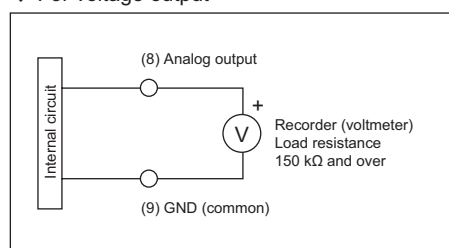


◆ For PNP output

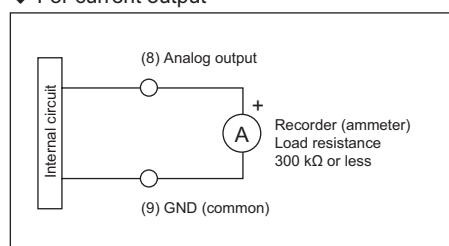


● Analog output circuit

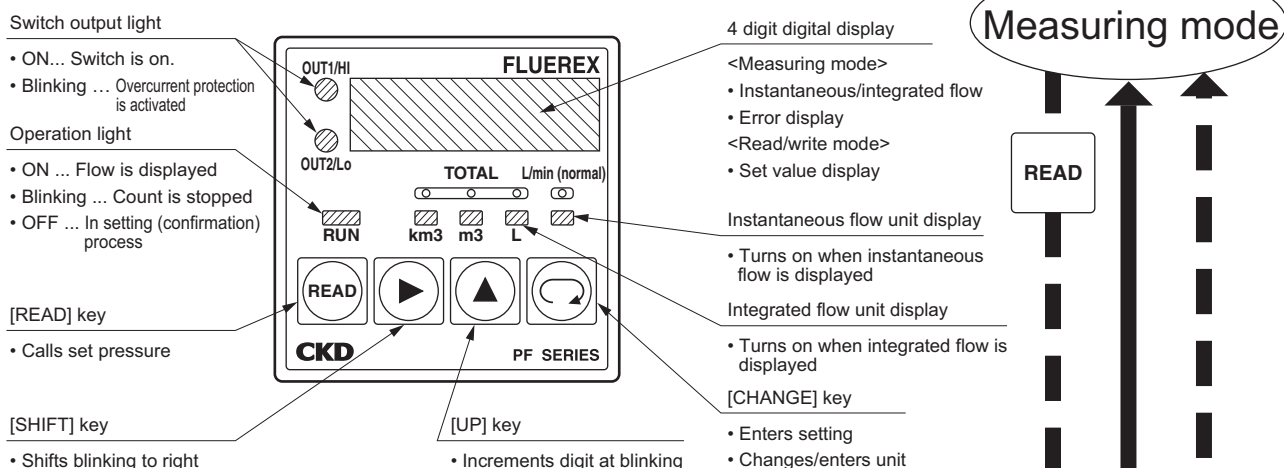
◆ For voltage output



◆ For current output

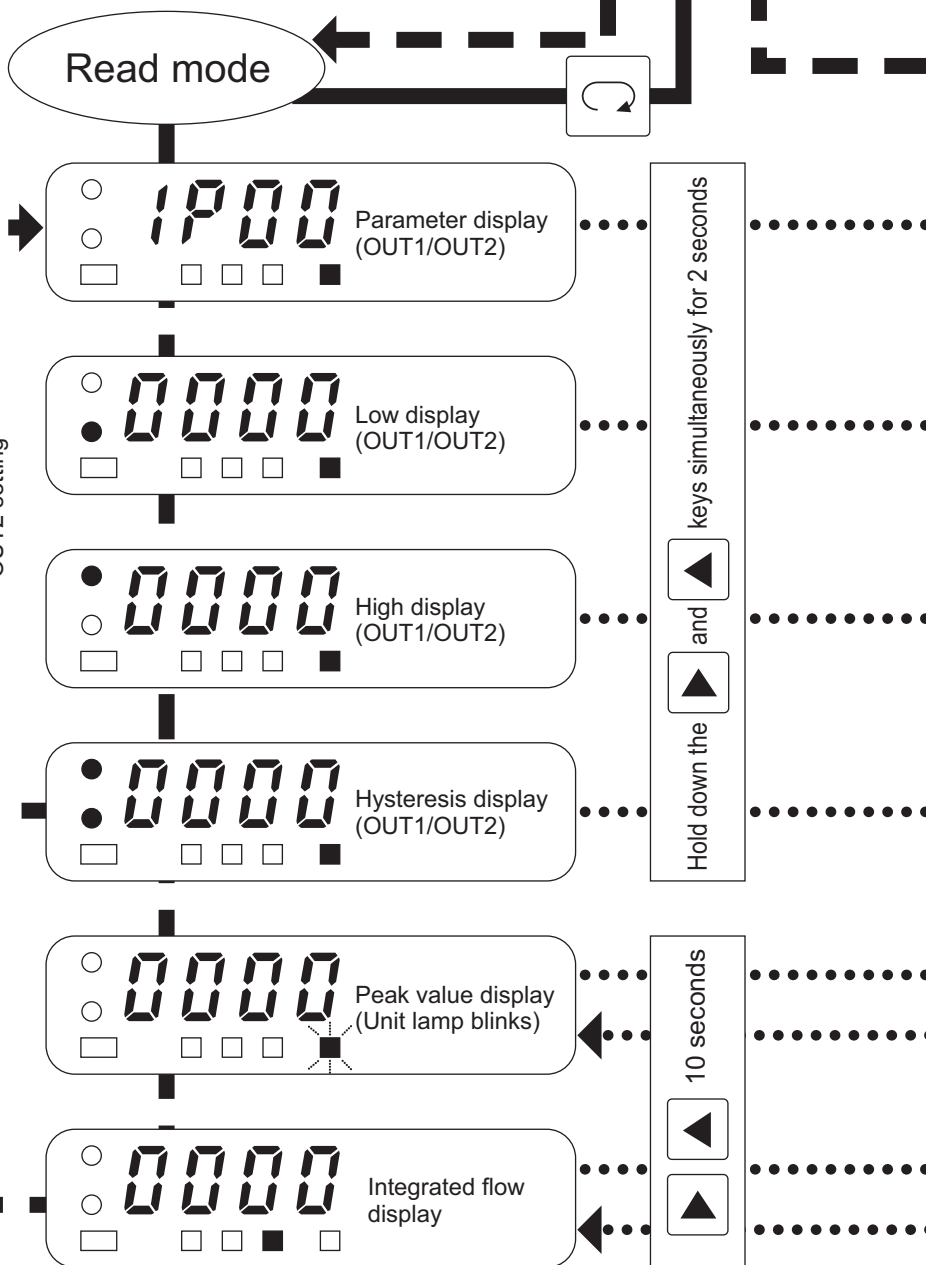
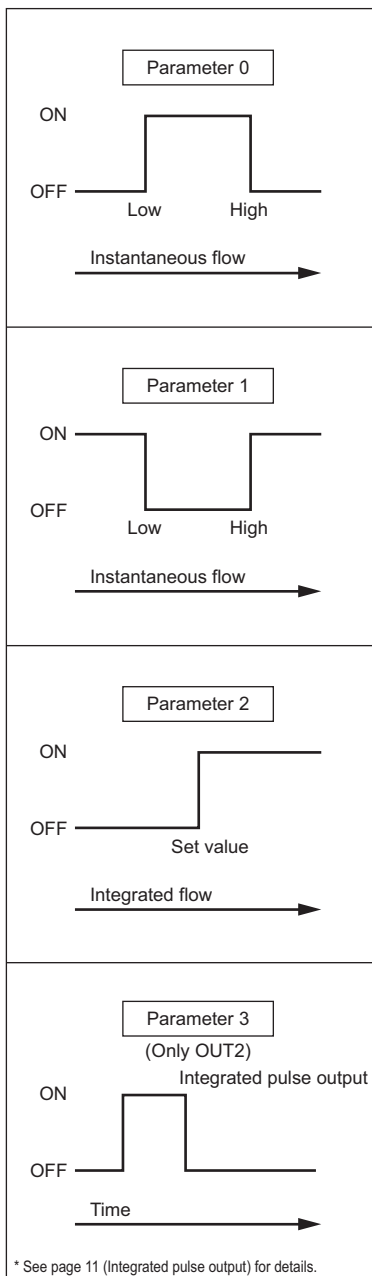


Explanation of monitor functions and operations

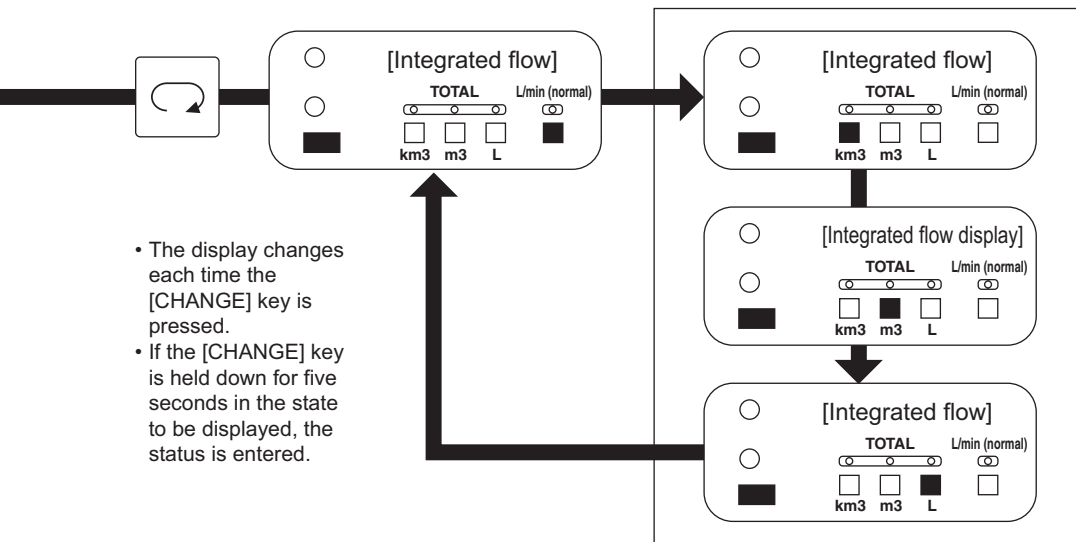


Switch parameter

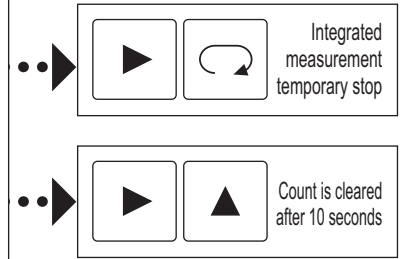
Four types of setting are available based on the applications.



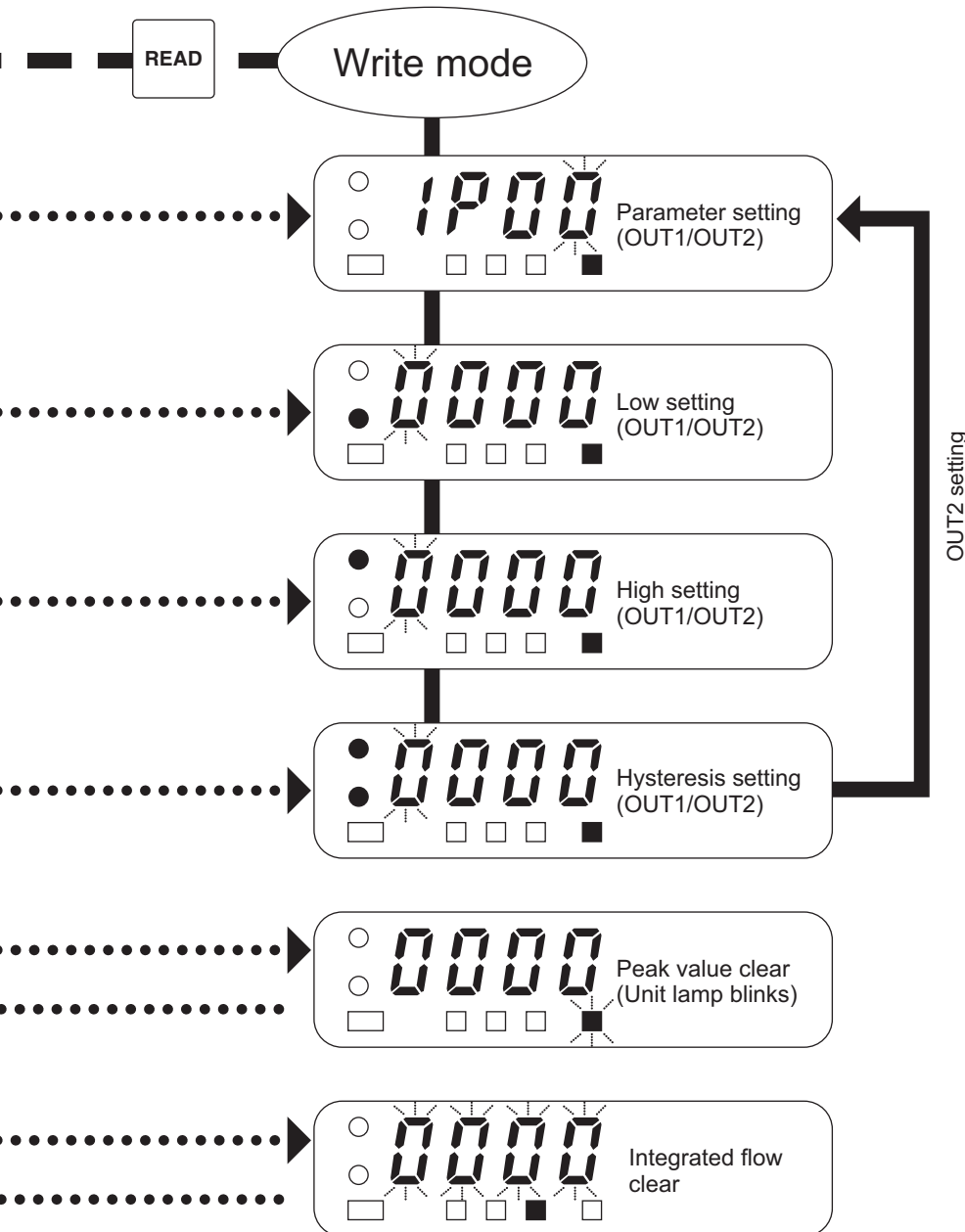
* For parameter 2, the integrated switch setting is used instead of (L) (H) and (h).
 * There are no setting modes for parameter 3, so in read mode the display goes to "peak value display" and in write mode to "parameter setting."
 * If (shift key) is pressed after setting or confirming integrated flow, the integrated flow display changes.



- The display changes each time the [CHANGE] key is pressed.
- If the [CHANGE] key is held down for five seconds in the state to be displayed, the status is entered.

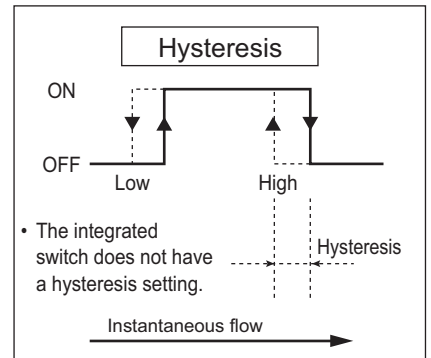


- {Delay/value clear} is executed when integrated flow is displayed. To clear, the key must be held down for 10 seconds as in read mode.
- If the integrated flow display is temporarily stopped, the integrated flow is backed up in internal memory.



* The peak and integrated flow are cleared when [SHIFT] [UP] are held down at the same time for 10 seconds.

■ Hysteresis



- The integrated switch does not have a hysteresis setting.

■ Integrated pulse output

If the parameter is set to [3] when OUT2, switch output is changed to cumulative pulse output. Note that OUT1 does not have integrated pulse output.

■ Backup of integrated flow and peak values

- This product automatically backs up integrated flow and peak in internal memory. Data is saved even if power is turned off.
- Data is backed up at the following timing:
 - 1) When five or more minutes have passed from previous backup and the value changed from the previous integrated flow or peak.
 - 2) When integrated flow stop was executed.
 - 3) When the integrated value is cleared. (The peak value at that point is backed up. For the integrated value, the value after clearing is backed up.)
 - 4) When the peak value is cleared. (The peak value after clearing is backed up, and the integrated value at that point is backed up.)
- Data is not backed up in the following cases:
 - 1) Less than five minutes have passed since data was backed up.
 - 2) Previous data has not changed, even after five minutes.

When power is turned on, the previously backed up value is displayed.

Flow sensor ECO monitoring system

Energy conservation starts with monitoring.

When promoting energy conservation, data collected by combining this flow sensor and ecological monitoring, both devices based on experience and intuition are used effectively to monitor previously undetected sections and accurately show problems.

Understanding these problems and taking corrective action enables "visible" energy conservation.

Plan

Understand current state

- Measure flow rates with the ecological monitoring.
- Extract and pinpoint corrective action.

Do

Implement corrective action

- Use optimum layouts to reduce piping loss.
- Stop air supply during idle periods to reduce consumption.
- Review leakage preventing blow and purge to reduce consumption.

Action

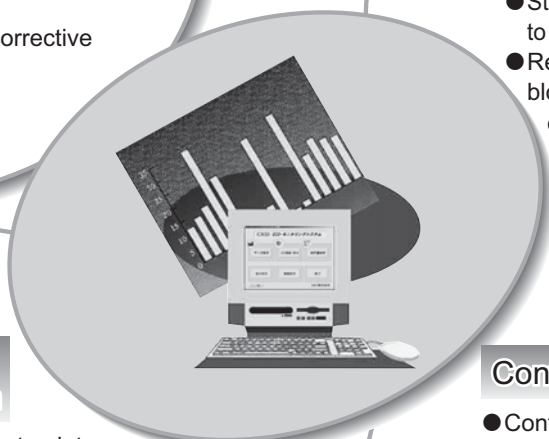
Correcting and continuing corrective action

- Correction of improvement point
Progress of the next-step countermeasures
- Confirm continuing effect with ecological monitoring.

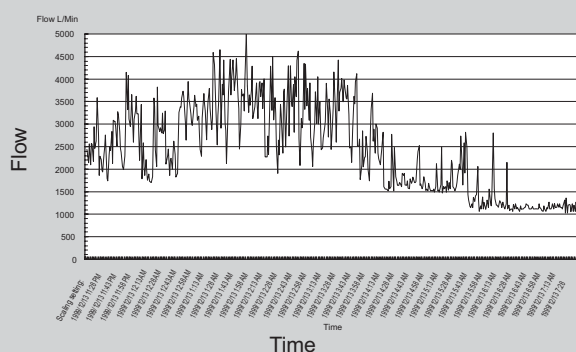
Check

Confirm effect

- Confirm and measure the effect with ecological monitoring.
- Was corrective action effective?
Is ongoing control possible?



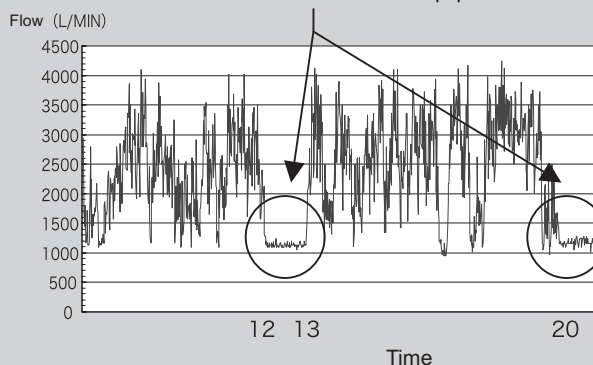
Equipment air consumption



The flow sensor PFD, PFK, PFF, and PFU Series have standard external output. A simple system to easily collect flow sensor and pressure sensor data with ecological monitoring is easily constructed.

Compressor/equipment consumption and pressure fluctuation are easily sent and controlled at an office at a set time, day, week, or month. Use this data to prepare reports, conduct analysis based on different data, and pinpoint equipment trends and problems.

Time zone in which equipment is idle



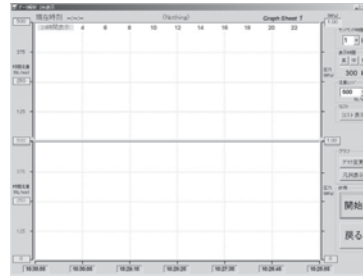
The above graph was prepared using 24-hour air consumption data from a certain system.

The graph shows that large amounts of air are consumed even when the system is idle, such as during lunch breaks. Note that improvements are required for this equipment.

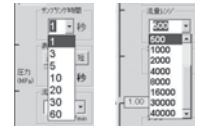
When there is no data, even if it is known that air is consumed, it is not possible to pinpoint the amount or time. Data is essential for energy conservation.

Guide to Program Functions Data Analysis

- ★ After measurement conditions are set, measurement data is retrieved in real time. Data is retrieved with continuous measurement (no limit) or with time-designated measurement, enabling required data to be collected.
- Easy-to-read screen design and multiscreen design
Screen space is freed by arranging only required icons, making it reading easier. This makes the screen easy to view. Multiscreen design enables data currently being collected and data collected over 24 hours to be displayed at the same time. (See the data analysis screen.)
- Either continuous measurement or random time-designated measurement is possible.
- One sampling time is selectable from 1, 3, 5, 10, 20, 30, or 60 seconds.
- The flow is set freely up to 40,000 NL/min.
- Data collection time displayed during data collection is selected from three patterns. Changes in data based on the time series is changed and confirmed in real time.
- Instantaneous flow and integrated display (digital) for each setting CH
The display is usually behind the screen. This screen can be opened randomly.



Data Analysis screen



Sampling rates and Flow range

File Output Function



CSV File Output Selection screen (daily or monthly reports)

CSV File Output screen (daily reports)

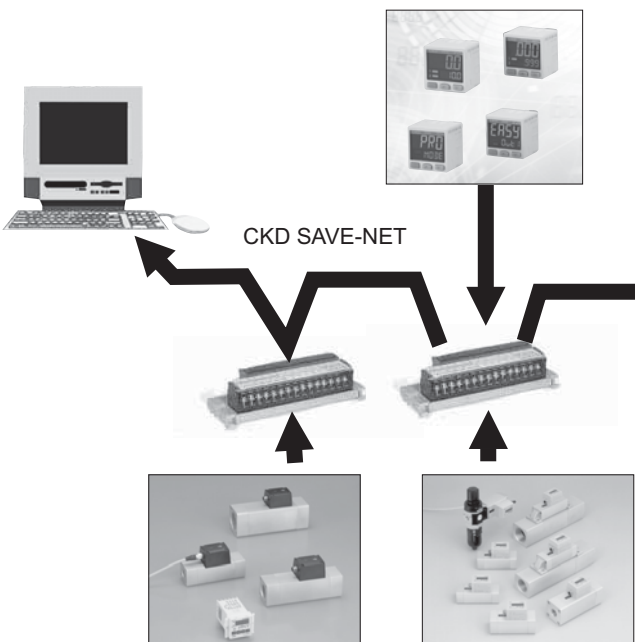
- ★ This function quickly finds and outputs the daily report and month report CSV file. Collected data is saved and stored in a specific CSV file so that the PC is not overloaded.
- Daily and monthly report output, search, and simple daily and monthly report preparation programs incorporated.
Search is incorporated to enable required data to be quickly retrieved from stored data. (Note 1)
Required data is found from daily and monthly reports (Note 2), and is output as a CSV file to the PC. Daily reports are output as single reports or in groups (Note 3). It is also possible to output only required data from collected data.
Output data can be quickly prepared as a report using simple graph preparation using Excel macros provided in the program.

Note 1: Data collection must be stopped before data can be output. Data cannot be collected during data output.

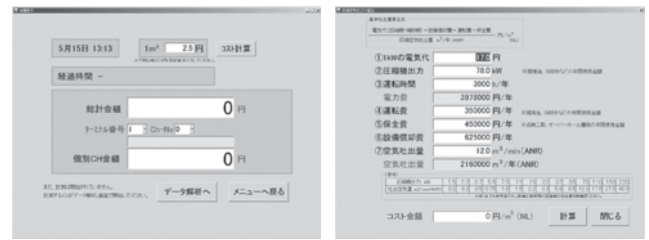
Note 2: Daily report data applies to 24 hours from 00:00 to 11:59 of a specific day. The monthly report includes data for 28, 30, or 31 days. The monthly report cannot be output until at least one month of data is collected and stored.

Note 3: A single day refers to one day, such as January 1, 2003. A group refers to eight days from January 1 to January 8, 2003.
Data output in a group is limited to 31 days or less, e.g., January 1 to January 31. (Example: January 1 to January 31)

Details of structuring monitoring



Cost Display



Cost Display screen

Cost Calculation screen

- ★ Improve energy-conservation awareness with "visible" display of air cost. Showing the financial cost effectively increases awareness of energy conservation. The popular air cost display has been upgraded and incorporated into ecological monitoring as standard.
When the cost of 1 m³ of air calculated on the cost calculation screen is input in the Cost Screen display and data is collected, the amount of money used for the amount of air consumed is displayed in real time.
- Total money display and individual CH money display
Total money display
If 128 flow sensors are used to measure the flow, total cost of their air consumption is displayed on the upper line.
Individual CH display
To display the cost of air consumed for a specific flow sensor among the 128 operating sensors, select the terminal No. and CH-No. The cost is displayed on the bottom line.

CKD-ECO monitoring system specifications list

Operation environment

No.	Descriptions	Descriptions
1	OS	Windows98/98SE/2000/XP (excluding 95/ME)
2	PC environment	PC-AT-compatible HDD 10 GB or more recommended
3	Display	1024 x 768 and over
4	CPU performance	Pentium III 400 MHz or faster recommended (233 MHz minimum)
5	Memory	128 MB or more recommended (64 MB for 98 or 98SE, and 128 MB for 2000 or XP)
6	HDD	A HDD capacity of 2 GB or more is recommended for data storage (for one-year data storage)

Data collection

- Measurement mode is can be selected from infinite mode or time-designated mode.
- Sufficient time is selected and set from 1, 3, 5, 10, 20, 30, or 60 seconds.
- The flow range is can be selected from 0 to 30,000 NL/min or randomly set.
Pressure range: -0.1 Mps to 1 Mps
- Screen display time: Three types of times are can be selected for each sampling time, e.g., (Example: for 1 second sampling time, select from 300, 60, or 12 seconds.
- Display instant value or integrated value for each CH.

Device selection

- PC and terminal connection: Master I/F card (PCMCIA card or ISA board), dedicated adaptor, dedicated cable, terminal
- Number of connected devices: Max. 128 CH maximum, Number of terminals: Max. 16 terminals maximum
- Analog output 0 to 5 VDC, 0 to 10 VDC, CKD device with output or other brand also connectable. (Select terminals based on output.) Analog and pulse output terminals can be installed together.

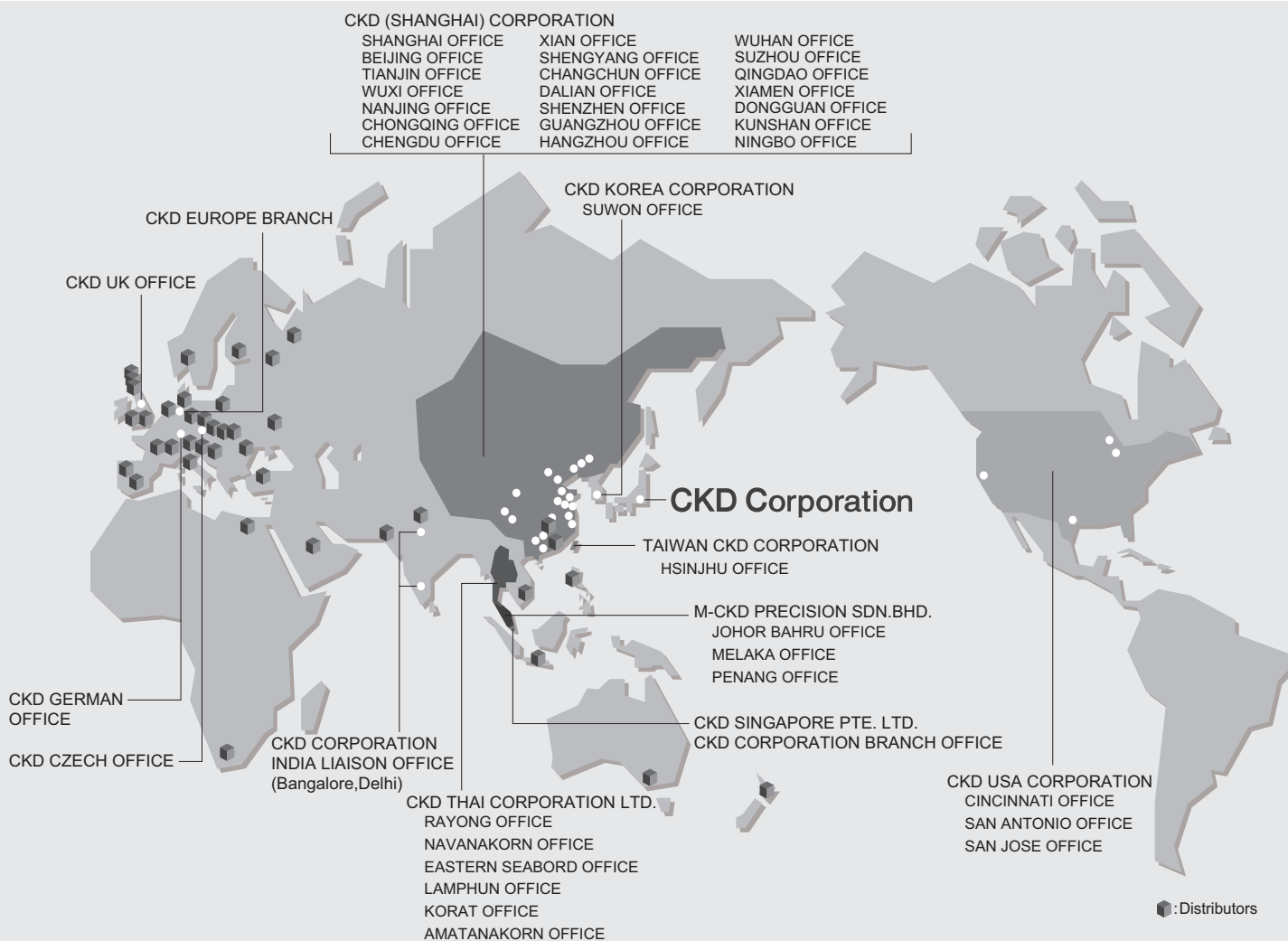
Data control, search function, simple graphs

- Daily and monthly report data is saved in CSV format in PCC program folders.
- The above data is output to designated sites in CSV format using daily/monthly report search.
- Data is converted from CSV format to Windows Excel 2000 or higher Excel data.
- Simple reports showing daily reports as polygonal or bar graphs and monthly reports as bar graphs are prepared using simple graphs and Excel macros.

Cost calculation and cost display

- 1 m³ air cost calculation
- By calculating consumption 1 m³ x set cost, the connected device portion or discrete device use cost is displayed on the PC in real time.
- Linked with data collection. Independent function is not available.

MEMO



CKD Corporation

Website <http://www.ckd.co.jp/>

- OVERSEAS SALES ADMINISTRATION DPT.
OVERSEAS BUSINESS DIV. 2-250 Uji Komaki, Aichi 485-8551, Japan
- PHONE +81-(0)568-74-1338 FAX +81-(0)568-77-3461

U.S.A.

CKD USA CORPORATION

HEADQUARTERS
4080 Winnetka Avenue, Rolling Meadows, IL 60008 USA
PHONE +1-847-368-0539 FAX +1-847-788-0575

EUROPE

CKD EUROPE BRANCH

De Fruittuinen 28 Hoofddorp 2132NZ The Netherlands
PHONE +31-(0) 23-5541490 FAX +31-(0) 23-5541491

Malaysia

M-CKD PRECISION SDN.BHD.

HEADQUARTERS
Lot No.6, Jalan Modal 23/2, Seksyen 23, Kawasan, MIEL,
Fasa 8, 40300 Shah Alam, Selangor Darul Ehsan, Malaysia
PHONE +60-(0) 3-5541-1468 FAX +60-(0) 3-5541-1533

Thailand

CKD THAI CORPORATION LTD.

SALES HEADQUARTERS-BANGKOK OFFICE
Suwan Tower, 14/1 Soi Saladaeng 1, North Sathorn Rd., Bangrak,
Bangkok 10500 Thailand
PHONE +66-(0) 2-267-6300 FAX +66-(0) 2-267-6305

Singapore

CKD SINGAPORE PTE. LTD.

No.33 Tannery Lane #04-01 Hoesteel Industrial Building Singapore 347789
PHONE +65-67442623 FAX +65-67442486

CKD CORPORATION BRANCH OFFICE

No.33 Tannery Lane #04-01 Hoesteel Industrial Building Singapore 347789
PHONE +65-67447260 FAX +65-68421022

Taiwan

TAIWAN CKD CORPORATION

16F-3, No.109, Sec.1 Jhongshan Rd., Shinjhuang City, Taipei County 242,
Taiwan(R.O.C)
PHONE +886-(0) 2-8522-8198 FAX +886-(0) 2-8522-8128

China

CKD (SHANGHAI) CORPORATION

SALES HEADQUARTERS / SHANGHAI OFFICE
Room 601, Yuan Zhong Scientific Research Building,
1905 Hongmei Road, Shanghai, 200233, China
PHONE +86-(0) 21-61911888 FAX +86-(0) 21-60905356

Korea

CKD KOREA CORPORATION

HEADQUARTERS
3rd FL, Sam Young B/D, 371-20
Sinsu-Dong, Mapo-Gu, Seoul, 121-110, Korea
PHONE +82-(0) 2-783-5201~5203 FAX +82-(0) 2-783-5204

The goods and their replicas, or the technology and software in this catalog are subject to complementary export regulations by Foreign Exchange and Foreign Trade Law of Japan.

If the goods and their replicas, or the technology and software in this catalog are to be exported, laws require the exporter to make sure they will never be used for the development or the manufacture of weapons for mass destruction.