

Pressure regulators Series MX

New 

MX2 ports: G3/8, G1/2, G3/4 - MX3 ports: G3/4, G1

Manifold ports: G1/2 (MX2 only)

Modular - Available with built-in pressure gauges or ports for gauges



- » Minimal pressure decreases
- » Knob with closure
- » Tamper-proof system (lockable regulator)
- » Integral return exhaust (relieving)
- » Manifold version also available

The Series MX has been realized to offer a multi-sector solution that guarantees saving in terms of installation time, space and costs. A special configurator, available on Camozzi website at <http://catalogue.camozzi.com> (sec. Configurators), allows the customer to choose the most suitable solution for his application, selecting single components or by configuring assembled FRLs.

The availability of constant values of the secondary pressure ensures performance optimization and energy saving. The tamper-proof system allows to adjust pressure safely through 2 intervals with primary pressure compensation. All regulators are equipped with an integrated locking system and built-in pressure gauges for a more compact product. The regulators Series MX are suitable also for panel mountings.

GENERAL DATA

Construction	modular, compact, diaphragm type
Materials	see TABLE OF MATERIALS (pag. 3/1.20.02)
Ports	MX2: G3/8 - G1/2 - G3/4 MX3: G3/4 - G1 Manifold regulator: G1/2 (MX2 only)
Mounting	vertical in-line wall-mounting (by means of clamps) panel mounting
Operating temperature	-5°C + 50°C up to 16 bar (with the dew point of the fluid lower than 2°C at the min. working temperature) -5°C + 60°C up to 10 bar (with the dew point of the fluid lower than 2°C at the min. working temperature)
Inlet pressure	0 + 16 bar
Outlet pressure	0,5 + 10 bar (standard) 0 + 4 bar 0,5 + 7 bar (MX2 only)
Overpressure exhaust	with relieving (standard) without relieving
Nominal flow	see FLOW DIAGRAMS (pag. 3/1.20.03)
Fluid	compressed air
Pressure gauge	version with built-in pressure gauge (standard) version with G1/4 ports for pressure gauge (MX3 only) version with G1/8 ports for pressure gauge (MX2 only)

3

TREATMENT

CODING EXAMPLE

MX 2 - 3/8 - R 0 0 4 - LH

MX	SERIES
2	SIZE: 2 = G3/8 - G1/2 - G3/4 3 = G3/4 - G1
3/8	PORTS: 3/8 = G3/8 1/2 = G1/2 3/4 = G3/4 1 = G1
R	TYPYR OF REGULATOR: R = pressure regulator M = Manifold pressure regulator (MX2 - G1/2 only)
0	OPERATING PRESSURE (1 bar = 14,5 psi) 0 = 0,5 + 10 bar (standard) 4 = 0 + 4 bar 7 = 0,5 + 7 bar (MX2 only)
0	DESIGN TYPE: 0 = relieving (standard) 1 = without relieving
4	PRESSURE GAUGE: 0 = without pressure gauge (with threaded port for gauges) 2 = with built-in pressure gauge 0-6 and working pressure 0 + 4 bar 3 = with built-in pressure gauge 0-10 and working pressure 0 + 7 bar (MX2 only) 4 = with built-in pressure gauge 0-12 and working pressure 0,5 + 10 bar (standard)
LH	FLOW DIRECTION: = from left to right (standard) LH = from right to left

3

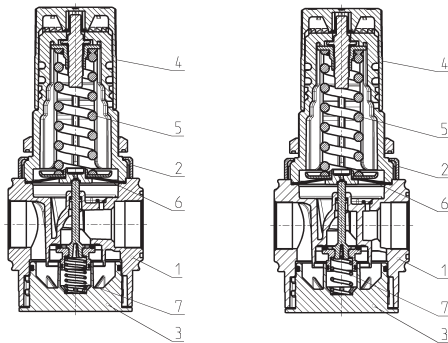
TREATMENT

For the assembly of a single component with fixing flanges or wall-mounting, see the section "FRL Series MX Assembled" (pag. 3/1.50.01)

Pressure regulators Series MX - materials

New

R = pressure regulator
M = Manifold pressure regulator



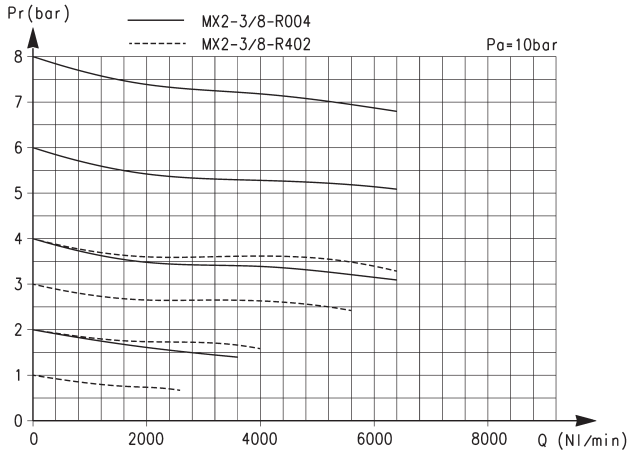
R

M

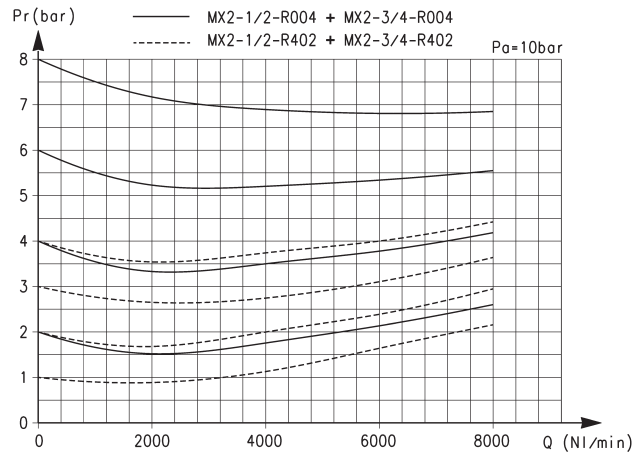
PARTS	MATERIALS
1 = Body	Aluminium
2 = Covering	Polyacetal
3 = Valve holder plug	Polyacetal
4 = Regulator knob	Polyamide
5 = Upper spring	Zinc-plated steel
6 = Diaphragm	NBR
7 = Lower spring	Stainless steel
Seals	NBR

MX2 FLOW DIAGRAMS

New

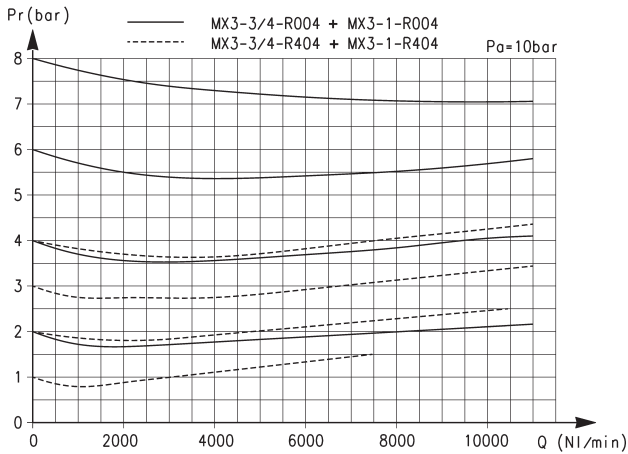


Pr = Regulated pressure
 Q = Flow
 Pa = Inlet pressure



Pr = Regulated pressure
 Q = Flow
 Pa = Inlet pressure

MX3 FLOW DIAGRAM



Pr = Regulated pressure
 Q = Flow
 Pa = Inlet pressure

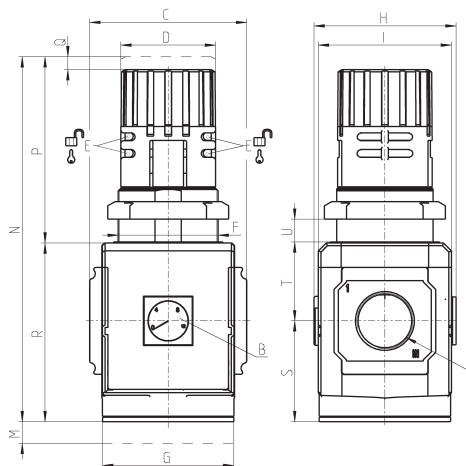
Pressure regulators Series MX - dimensions

New



PR01 = regulator without relieving
 PR02 = regulator with relieving

PR05 = regulator without relieving and with pressure gauge
 PR06 = regulator with relieving and pressure gauge

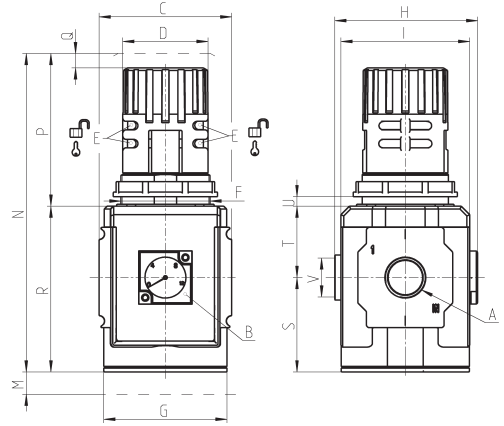


Mod.	A	B (bar)	C	D	E	F	G	H	I	M	N	P	Q	R	S	T	U	Weight (Kg)
MX2-3/8-R004	G3/8	0 + 12	70	45	Ø 4	M47x1,5	70	74,5	68	45	166	78	5	88	50,5	37,5	0 + 13	0.6
MX2-1/2-R004	G1/2	0 + 12	70	45	Ø 4	M47x1,5	70	74,5	68	45	166	78	5	88	50,5	37,5	0 + 13	0.6
MX2-3/4-R004	G3/4	0 + 12	70	45	Ø 4	M47x1,5	70	74,5	68	45	166	78	5	88	50,5	37,5	0 + 13	0.6
MX3-3/4-R004	G3/4	0 + 12	89,5	54	Ø 4	M57x1,5	75	81	76	45	206	104	5	102	57,5	44,5	0 + 20	1
MX3-1-R004	G1	0 + 12	89,5	54	Ø 4	M57x1,5	75	81	76	45	206	104	5	102	57,5	44,5	0 + 20	1

MANIFOLD pressure regulator Series MX - dimensions

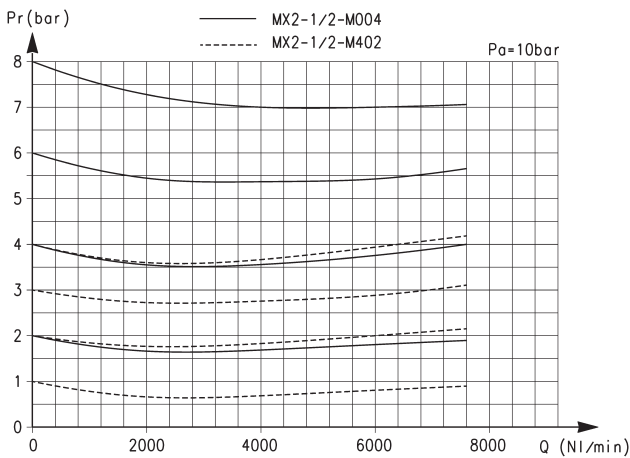


The picture on the left side shows that it is possible to assemble a certain number of regulators with the same inlet pressure using proper mounting kits, with or without terminals.
 The regulation of the outlet pressure (OUT port) of each regulator can be set up rotating the knob clockwise or anticlockwise until the desired pressure is reached.
 This regulation has no effect on pressures of previous or following regulators.

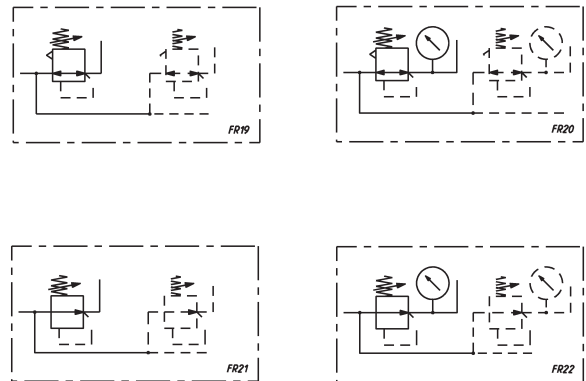


Mod.	A	B (bar)	C	D	E	F	G	H	I	M	N	P	Q	R	S	T	U	V (OUT)	Weight (Kg)
MX2-1/2-M004	G1/2	0 ÷ 12	70	45	Ø 4	M47x1,5	70	75,5	68	45	166	78	5	88	50,5	37,5	0 ÷ 13	G1/2	0,6

MANIFOLD REGULATOR - FLOW DIAGRAM and PNEUMATIC SYMBOLS



Pr = Regulated pressure
 Q = Flow
 Pa = Inlet pressure



FR19 = Manifold regulator with relieving and without manometer
 FR20 = Manifold regulator with relieving and manometer
 FR21 = Manifold regulator without relieving nor manometer
 FR22 = Manifold regulator without relieving and with manometer