

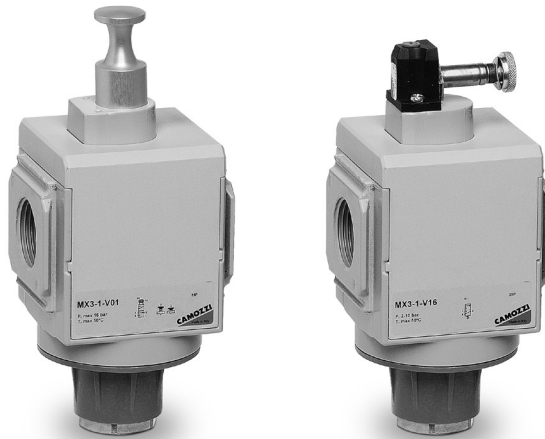
# Lockable isolation 3/2-way valves Series MX

New 

MX2 ports: G3/8, G1/2, G3/4 - MX3 ports: G3/4, G1

Modular

Manual, electro-pneumatic, servo-pilot and pneumatic control



- » Standard tamperproof lock-out (manual valve)
- » One/more locks for the lock-out feature (manual valve)
- » Actuation at 24 V, 110 V or 230 V
- » Exhaust in atmosphere
- » Silencers available on request

The Series MX has been realized to offer a multi-sector solution that guarantees saving in terms of installation time, space and costs. A special configurator, available on Camozzi website at <http://catalogue.camozzi.com> (sec. Configurators), allows the customer to choose the most suitable solution for his application, selecting single components or by configuring assembled FRLs.

**Manual isolation valves:** ideal to allow an easy access to the FRL group. The system is depressurized with the de-activation of the valve.

**Electropneumatic isolation valves:** ideal where manual access is difficult, they allow a maximum positioning flexibility and are designed to pressurize or depressurize pneumatic systems. The built-in manual override guarantees security in case of an emergency.

## GENERAL DATA

<b>Construction</b>	modular, compact, spool-type
<b>Materials</b>	see TABLE OF MATERIALS (pag. 3/1.35.01)
<b>Ports</b>	MX2: G3/8 - G1/2 - G3/4 MX3: G3/4 - G1
<b>Mounting</b>	in-line wall-mounting (by means of clamps)
<b>Operating temperature</b>	-5°C + 50°C up to 16 bar (with the dew point of the fluid lower than 2°C at the min. working temperature) -5°C + 60°C up to 10 bar (with the dew point of the fluid lower than 2°C at the min. working temperature)
<b>Operating pressure</b>	Manual valve: -0,8 bar + 10 bar Electro-pneumatic valve: 2 bar + 10 bar Servopilot or pneumatic valve: -0,8 bar + 10 bar (with pilot 2 + 10 bar)
<b>Nominal flow</b>	see FLOW DIAGRAMS (pag. 3/1.35.03 e 3/1.35.04)
<b>Nominal exhaust flow at 6 bar with <math>\Delta p = 1</math> bar</b>	MX2: 6000 NI/min MX3: 9200 NI/min
<b>Fluid</b>	compressed air

3

TREATMENT

**CODING EXAMPLE**

<b>MX</b>	<b>2</b>	<b>-</b>	<b>3/8</b>	<b>-</b>	<b>V</b>	<b>01</b>	<b>-</b>	<b>LH</b>
-----------	----------	----------	------------	----------	----------	-----------	----------	-----------

<b>MX</b>	SERIES
<b>2</b>	SIZE: 2 = G3/8 - G1/2 - G3/4 3 = G3/4 - G1
<b>3/8</b>	PORT: 3/8 = G3/8 1/2 = G1/2 3/4 = G3/4 1 = G1
<b>V</b>	3/2-WAY VALVE
<b>01</b>	DESIGN TYPE: 01 = lockable manual control 16 = electro-pneumatic control 17 = servo-pilot control 36 = pneumatic control
<b>LH</b>	FLOW DIRECTION: = from left to right (standard) LH = from right to left

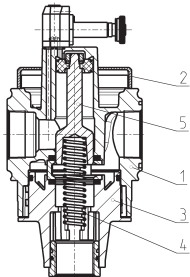
**3**

TREATMENT

For the assembly of a single component with fixing flanges or wall-mounting, see the section "FRL Series MX Assembled" (pag. 3/1.50.01)

**Lockable isolation 3/2-way valves Series MX - materials**

New



PARTS	MATERIALS
<b>1 = Body</b>	Aluminium
<b>2 = Covering</b>	Polyacetal
<b>3 = Valve holder plug</b>	Polyacetal
<b>4 = Lower spring</b>	Zinc-plated steel
<b>5 = Spool</b>	Stainless steel (MX...V16 - V17 - V36) Aluminium (MX...V01)
<b>Seals</b>	NBR

FLOW DIAGRAM for valves Mod. MX...V01

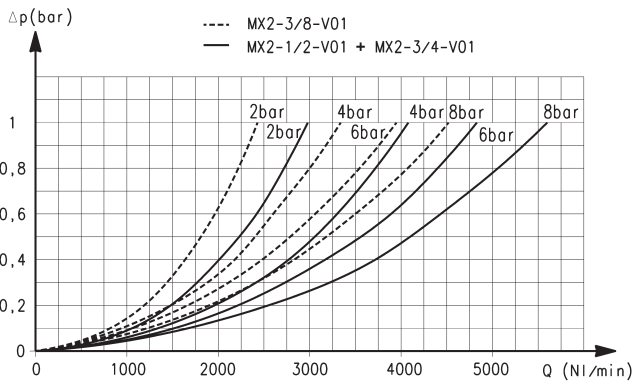


Diagram for lockable manual control valves MX3

$\Delta p$  = Pressure drop  
Q = Flow

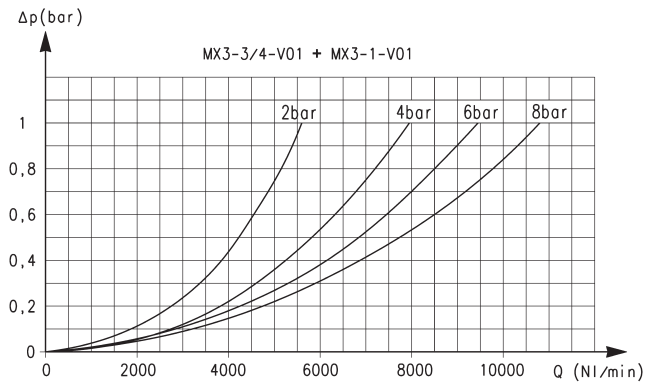
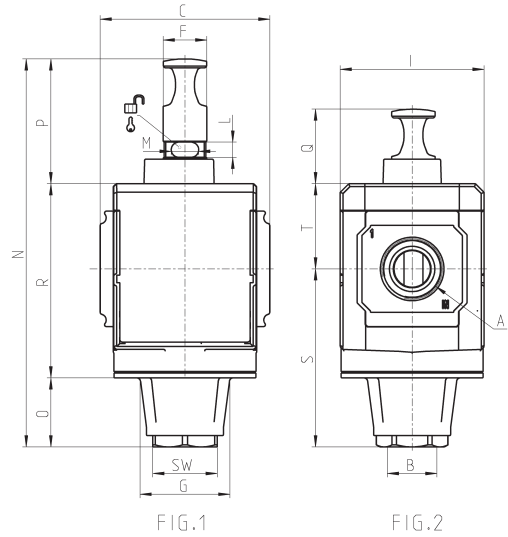


Diagram for lockable manual control valves MX3

$\Delta p$  = Pressure drop  
Q = Flow

Lockable manual valves Series MX - dimensions

Fig. 1 = closed valve  
Fig. 2 = open valve



Mod.	A	B	C	F	G	I	L	M	N	O	P	Q	R	S	SW	T	Weight (Kg)
<b>MX2-3/8-V01</b>	G3/8	G 1/2	70	18	34,5	68	9	8	152	13	51	31	88	63,5	27	37,5	0.5
<b>MX2-1/2-V01</b>	G 1/2	G 1/2	70	18	34,5	68	9	8	152	13	51	31	88	63,5	27	37,5	0.5
<b>MX2-3/4-V01</b>	G3/4	G 1/2	70	18	34,5	68	9	8	152	13	51	31	88	63,5	27	37,5	0.5
<b>MX3-3/4-V01</b>	G3/4	G3/4	89,5	23	48	76	8	14,5	205,5	37	66,5	40	102	94,5	34	44,5	0.9
<b>MX3-1-V01</b>	G1	G3/4	89,5	23	48	76	8	14,5	205,5	37	66,5	40	102	94,5	34	44,5	0.9

Products designed for industrial applications.  
General terms and conditions for sale are available on [www.camozzi.com](http://www.camozzi.com).

FLOW DIAGRAM for valves Mod. MX...V16 and MX...V36

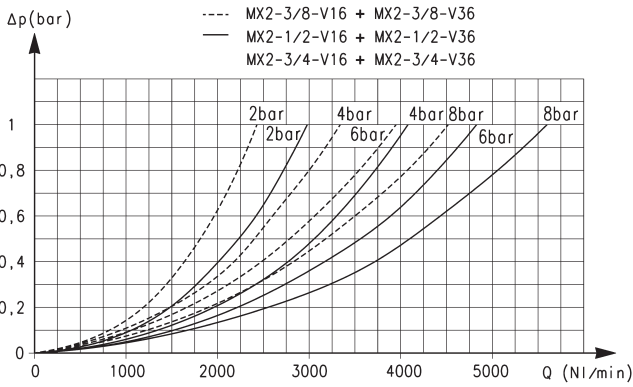


Diagram for electro-pneumatic or pneumatic control valves MX2

$\Delta p$  = Pressure drop  
 Q = Flow

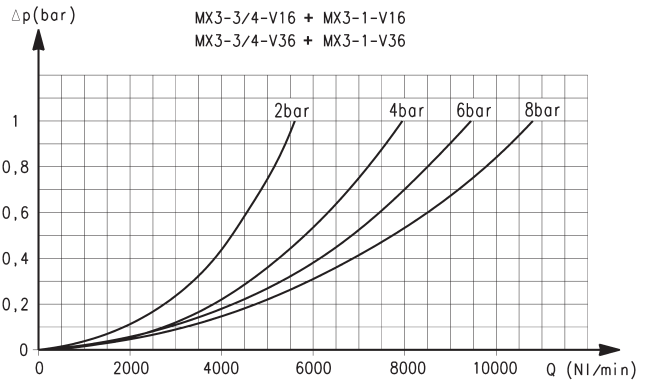


Diagram for electro-pneumatic or pneumatic control valves MX3

$\Delta p$  = Pressure drop  
 Q = Flow

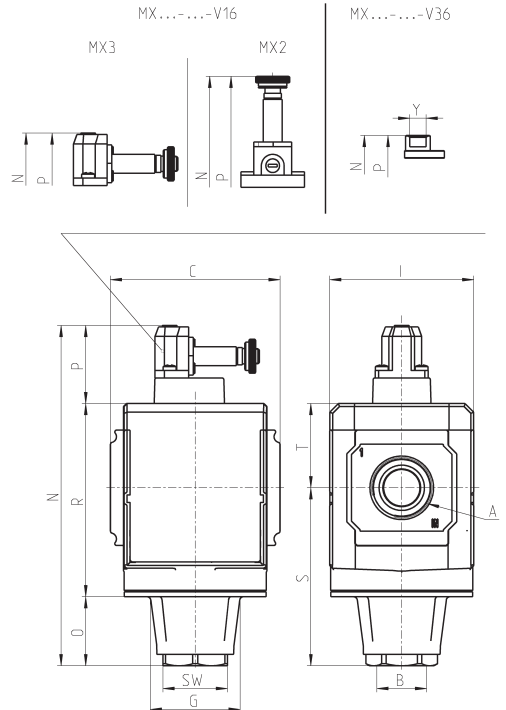
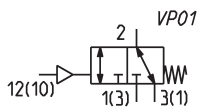
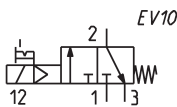
3/2-way isolation valves Series MX - dimensions

Electro-pneumatic or pneumatic valves



EV10 = solenoid valve, 3/2 NC, monostable, with bistable manual override

VP01 = pneumatically operated valve, 3/2, monostable, mechanical spring



Mod.	A	B	C	G	I	N	O	P	R	S	SW	T	Y	Weight (Kg)	Symbol
MX2-3/8-V16	G3/8	G1/2	70	34,5	68	171	13	70	88	63,5	34	37,5	-	0.5	EV10
MX2-1/2-V16	G1/2	G1/2	70	34,5	68	171	13	70	88	63,5	34	37,5	-	0.5	EV10
MX2-3/4-V16	G3/4	G1/2	70	34,5	68	171	13	70	88	63,5	34	37,5	-	0.5	EV10
MX2-3/8-V36	G3/8	G1/2	70	34,5	68	122	13	21	88	63,5	34	37,5	G1/8	0.5	VP01
MX2-1/2-V36	G1/2	G1/2	70	34,5	68	122	13	21	88	63,5	34	37,5	G1/8	0.5	VP01
MX2-3/4-V36	G3/4	G1/2	70	34,5	68	122	13	21	88	63,5	34	37,5	G1/8	0.5	VP01
MX3-3/4-V16	G3/4	G3/4	89,5	48	76	180,5	37	41,5	102	94,5	34	44,5	-	0.9	EV10
MX3-1-V16	G1	G3/4	89,5	48	76	180,5	37	41,5	102	94,5	34	44,5	-	0.9	EV10
MX3-3/4-V36	G3/4	G3/4	89,5	48	76	164	37	25,5	102	94,5	34	44,5	G1/8	0.9	VP01
MX3-1-V36	G1	G3/4	89,5	48	76	164	37	25,5	102	94,5	34	44,5	G1/8	0.9	VP01

FLOW DIAGRAM for valves Mod. MX...V17

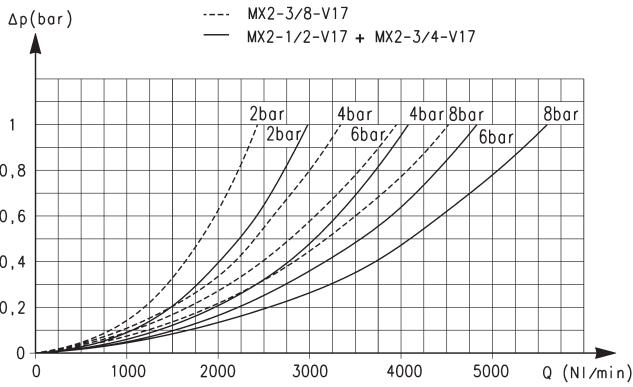


Diagram for servo-pilot control valves MX2

$\Delta p$  = Pressure drop  
Q = Flow

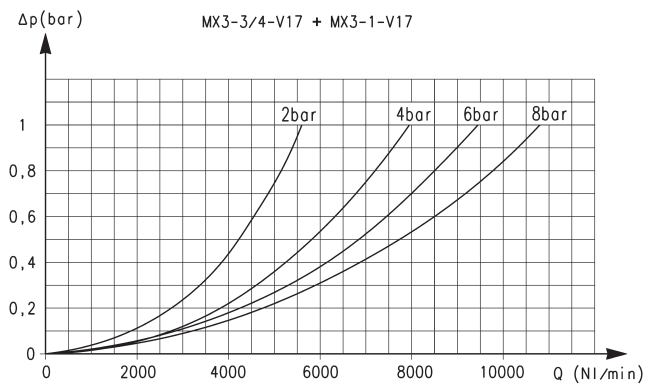


Diagram for servo-pilot control valves MX3

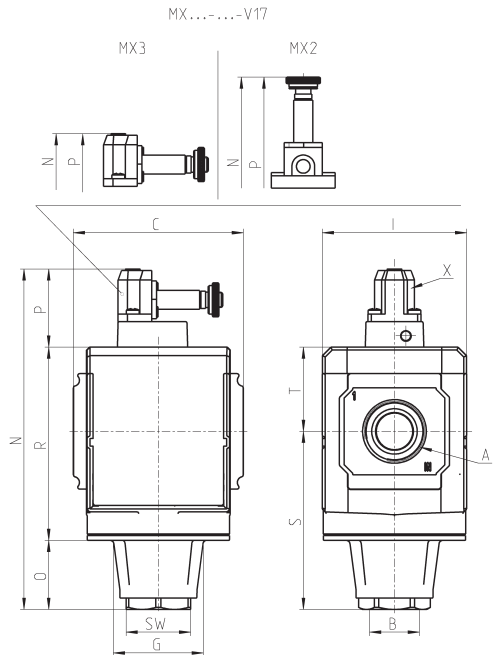
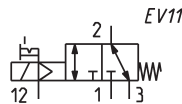
$\Delta p$  = Pressure drop  
Q = Flow

3/2-way isolation valves Series MX - dimensions

Servo-pilot valves



EV11 = solenoid valve, 3/2, monostable, solenoid pilot with separate air supply and bistable manual override



Mod.	A	B	C	G	I	N	O	P	R	S	SW	T	X	Weight (Kg)
<b>MX2-3/8-V17</b>	G3/8	G1/2	70	34,5	68	171	13	70	88	63,5	34	37,5	M5	0.5
<b>MX2-1/2-V17</b>	G1/2	G1/2	70	34,5	68	171	13	70	88	63,5	34	37,5	M5	0.5
<b>MX2-3/4-V17</b>	G3/4	G1/2	70	34,5	68	171	13	70	88	63,5	34	37,5	M5	0.5
<b>MX3-3/4-V17</b>	G3/4	G3/4	89,5	48	76	180,5	37	41,5	102	94,5	34	44,5	M5	0.9
<b>MX3-1-V17</b>	G1	G3/4	89,5	48	76	180,5	37	41,5	102	94,5	34	44,5	M5	0.9