

Valves and Solenoid valves Series NA

3/2 - 5/2 - 5/3-way CC CO CP
with holes configured according NAMUR standards



The pneumatic interface connection complies with NAMUR standards.
These solenoid valves can be equipped with solenoids that are in compliance with UL or ATEX standards.

GENERAL DATA

Construction	spool type (servo-pilot operated)
Valve functions	3/2-way NC, NO - 5/2-way - 5/3-way CC, CO, CP
Materials	AL body - stainless steel spool - NBR seals
Mounting	through 2 Ø5 holes in the valve body
Ports	2 - 4 = NAMUR 1 - 3 - 5 = G1/4
Installation	directly on a Namur Interface
Operating temperature	0 ÷ 60°C (using dry air -20°C)
Operating pressure	1,5 - 10 bar double solenoid 2,5 - 10 bar single solenoid
Nominal pressure	6 bar
Nominal flow	Qn = 1000 NI/min
Nominal diameter	8 mm
Fluid	filtered air without lubrication. If lubricated air is used, it is recommended to use ISOVG32 oil, and to never interrupt the lubrication.

CODING EXAMPLE

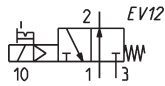
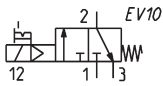
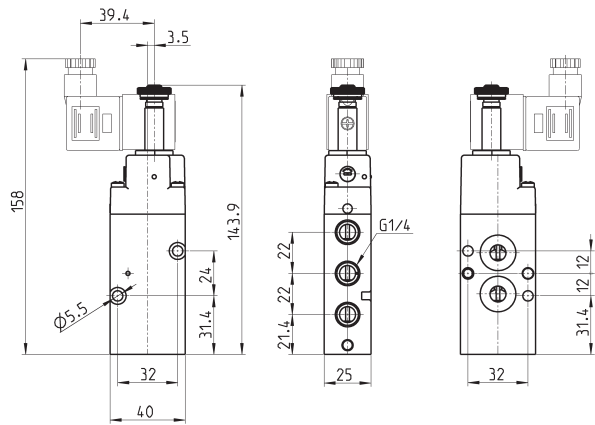
NA	5	4N	-	15	-	02	-	U	7	7
-----------	----------	-----------	----------	-----------	----------	-----------	----------	----------	----------	----------

NA	SERIES NAMUR
5	NUMBER OF WAYS - POSITIONS: 3 = 3/2 NC 4 = 3/2 NO 5 = 5/2 6 = 5/3 CC 7 = 5/3 CO 8 = 5/3 CP
4N	PORTS: 4N = G1/4 supply ports according NAMUR standards
15	ACTUATION: 11 = double solenoid 15 = single solenoid, spring return 33 = pneumatic pneumatic 35 = pneumatic, spring
02	SOLENOID INTERFACE: 02 = mech. sol. 22 x 22
U	SOLENOID MATERIAL: A = PPS U = PET H = Self-extinguishing PA, Explosion-proof (30 x 30) G = PA
7	SOLENOID DIMENSIONS: 7 = 22 x 22 8 = 30 x 30 9 = 22 x 22
0	SOLENOID VOLTAGE: see solenoids section on page 2.2.35.01

2

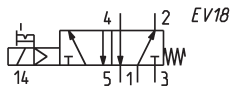
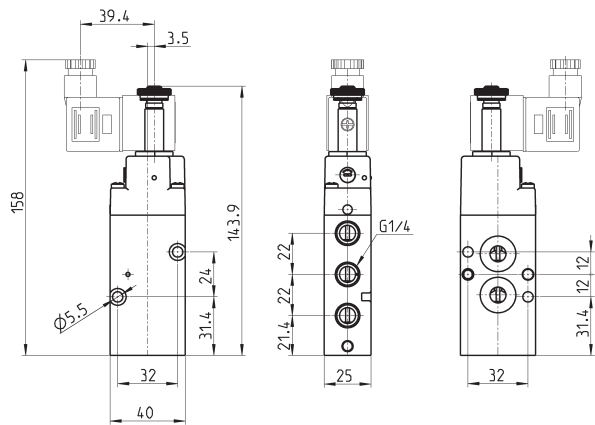
CONTROL

3/2-way solenoid valve NC and NO



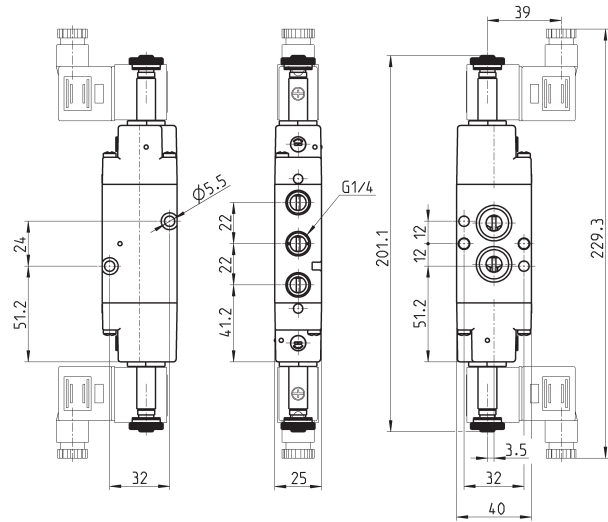
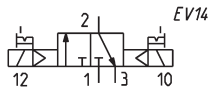
Mod.	Symbol
NA34N-15-02	EV10
NA44N-15-02	EV12

5/2-way solenoid valve, monostable



Mod.
NA54N-15-02

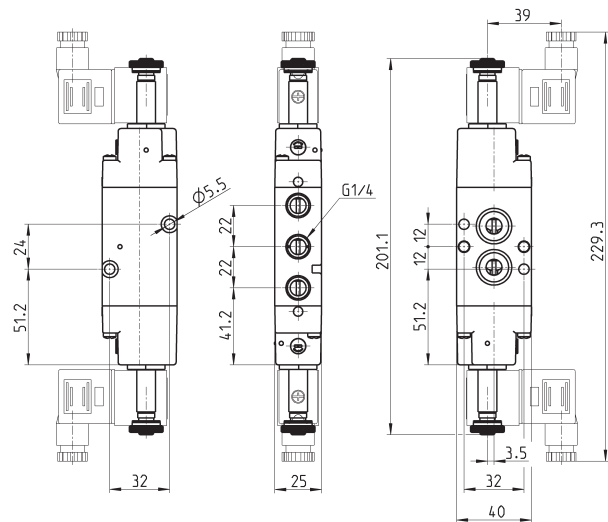
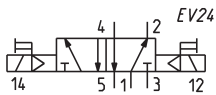
3/2-way solenoid valve, bistable



Mod.

NA34N-11-02

5/2-way, solenoid valve, bistable

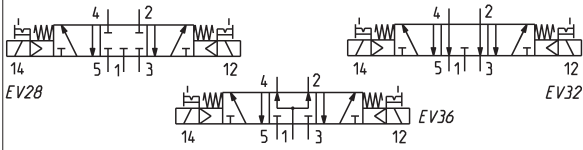
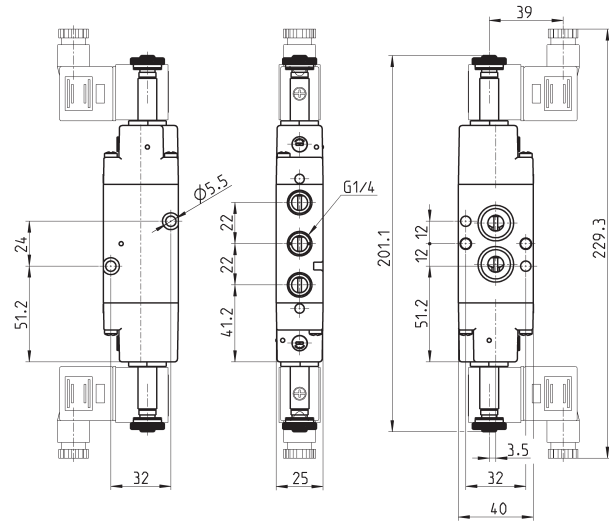


Mod.

NA54N-11-02

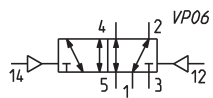
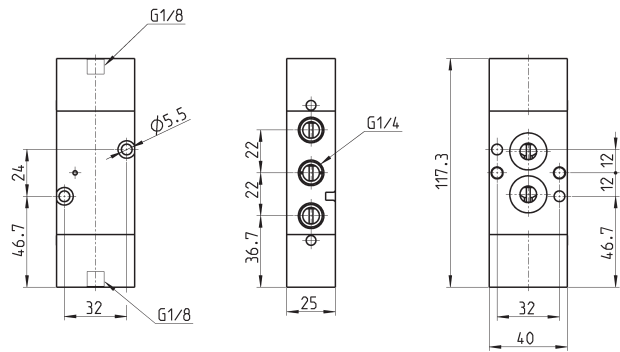
2/2.30.04

5/3-way solenoid valve CC CO CP

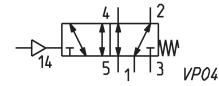
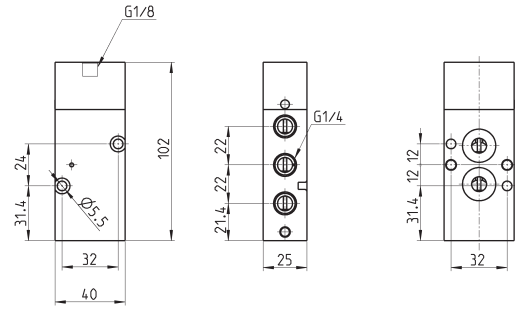
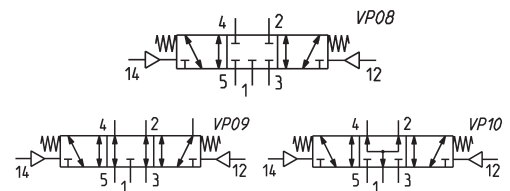
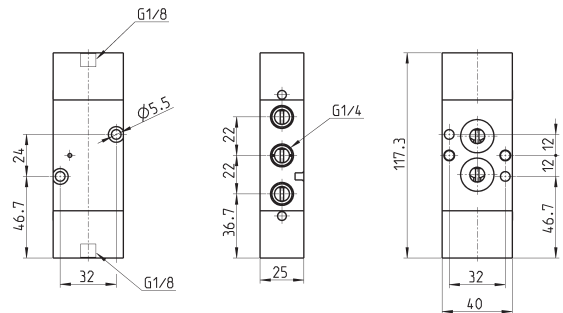


Mod.	Symbol
NA64N-11-02	EV28
NA74N-11-02	EV32
NA84N-11-02	EV36

5/2-way pneumatic valve, bistable



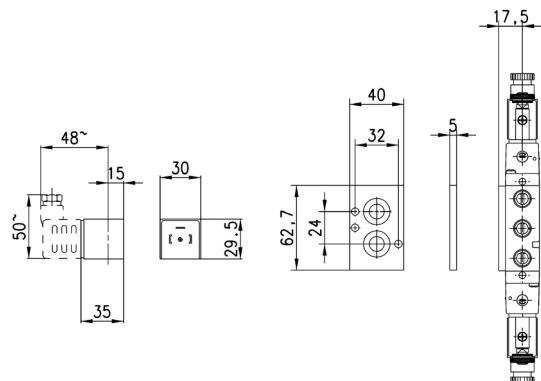
Mod.
NA54N-33

5/2-way pneumatic valve, monostable

 Mod.
NA54N-35
5/3-way pneumatic valve CC CO CP


Mod.	
NA64N-33	VP08
NA74N-33	VP09
NA84N-33	VP10

Single subbase Mod. NA54-PC

Distance plate for the mounting of Series H8 solenoids

 Supplied with:
 2x screws
 2x O-rings

 Mod.
NA54-PC