

# Pressure microregulators Series M

Ports G1/8, G1/4



- » Versions with calibrated or blocked regulators are available on request
- » Versions with certified diaphragms and seals materials are available on request

The Series «M» pressure regulator is available with G1/8 and G1/4 ports. Its design incorporates a diaphragm and relieving so as to allow decremental adjustments as well.

Microregulators are available with different regulation types: non-relieving, very sensitive self-relieving (through a light air leak) and VS (valve with fast draining).

The VS version is used when a regulator should be inserted between the valve and cylinder, or capacity, without any negative influence on the exhaust.

## GENERAL DATA

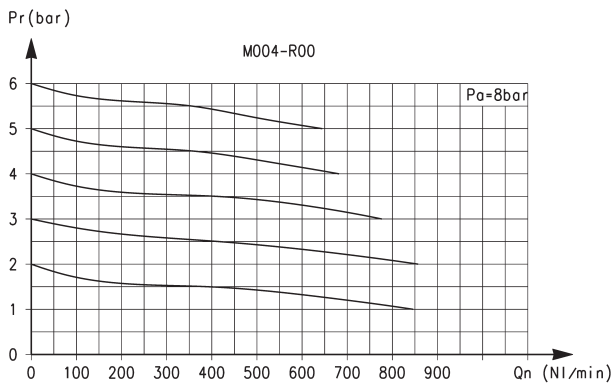
<b>Construction</b>	diaphragm type
<b>Materials</b>	brass body, stainless steel spring, NBR O-ring
<b>Ports</b>	G1/8 - G1/4
<b>Weight</b>	Kg 0.235
<b>Pressure gauge ports</b>	G1/8
<b>Mounting</b>	in-line or panel mounting (in any position)
<b>Operating temperature</b>	-5°C ÷ 50°C (with the dew point of the fluid lower than 2°C at the min. working temperature)
<b>Inlet pressure</b>	0 ÷ 16 bar
<b>Outlet pressure</b>	0.5 ÷ 10 bar
<b>Nominal flow</b>	see graphs
<b>Secondary pressure relieving</b>	standard

**CODING EXAMPLE**

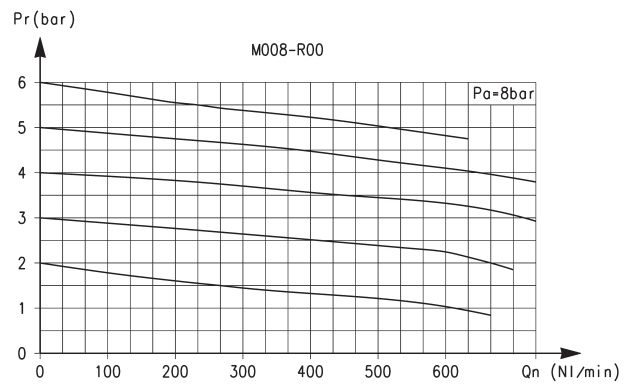
<b>M</b>	<b>0</b>	<b>04</b>	<b>-</b>	<b>R</b>	<b>0</b>	<b>0</b>
----------	----------	-----------	----------	----------	----------	----------

<b>M</b>	SERIES
<b>0</b>	SIZE: 0
<b>04</b>	PORTS: 08 = G1/8 04 = G1/4
<b>R</b>	R = REGULATOR
<b>0</b>	OPERATING PRESSURE: 0 = 0,5 + 10 (standard) 1 = 0 + 4 2 = 0 + 2 7 = 0,5 + 7
<b>0</b>	DESIGN TYPE: 0 = self relieving 1 = non relieving 5 = precise setting
	REGULATION TYPE: = without high relief flow (standard) VS = high relief flow

**FLOW DIAGRAMS**

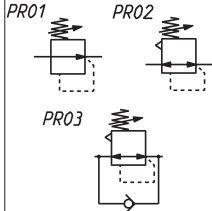


Flow diagram for models: M004-R00  
 Pa = Inlet pressure  
 Pr = Regulated pressure  
 Qn = Flow



Flow diagram for models: M008-R00  
 Pa = Inlet pressure  
 Pr = Regulated pressure  
 Qn = Flow

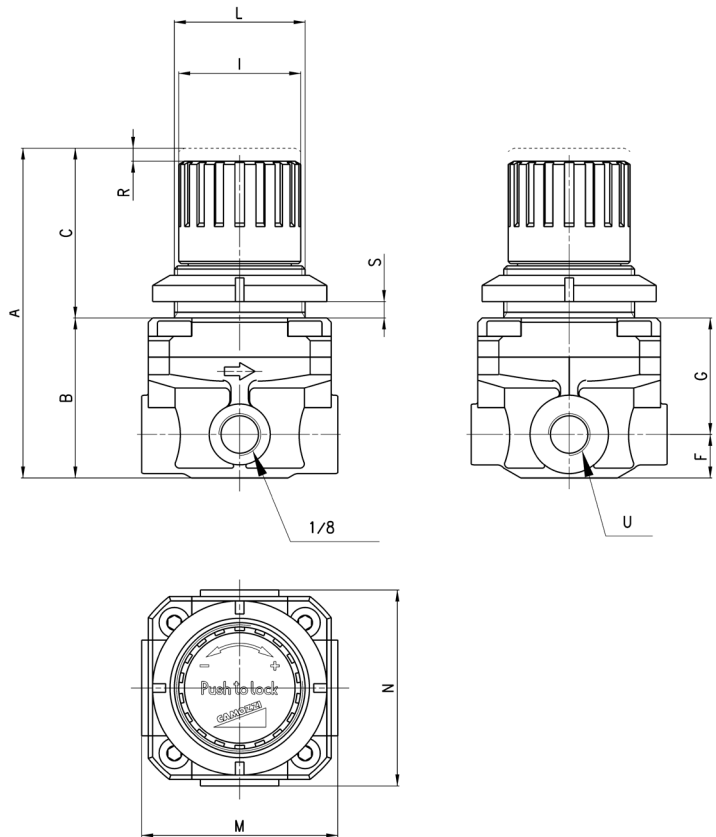
## Microregulator Series M



PR01 = regulator without relieving

PR02 = regulator with relieving

PR03 = regulator with relieving and by-pass valve



\* = calibrated or blocked regulator available on request

## DIMENSIONS

Mod.	A	B	C	F	G	I	L	M	N	R	S	U
<b>M008-R00</b>	76	37	39	10	27	28	30 X 1,5	45	45	3	0+6	G1/8 *
<b>M004-R00</b>	76	37	39	10	27	28	30 X 1,5	45	45	3	0+6	G1/4 *