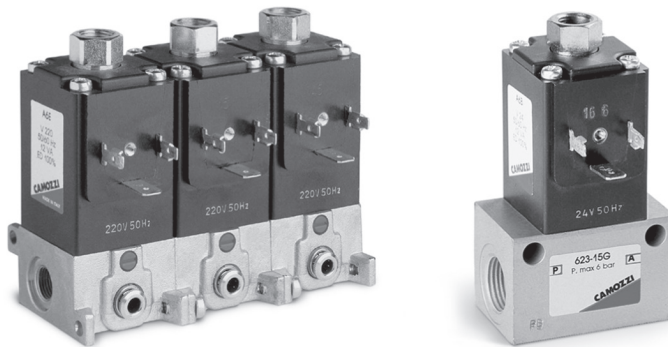


# Directly operated solenoid valves Series 6

2/2-way - 3/2-way, NC and NO.  
Ports G1/8 and G3/8 - cartridge  $\varnothing 4$



The bodies of these valves can be used either individually or in manifolds. The latter are provided with G1/8 threaded ports or an inbuilt diameter 4 cartridge (G3/8 for 2-way only).

The solenoid valves Series 6 are available as 2/2 and 3/2-way, either NC or NO.  
These directly operated solenoid valves can be used either with or without lubrication.

## GENERAL DATA

<b>Valve functions</b>	2/2 - 3/2 NC or NO
<b>Construction</b>	poppet type
<b>Materials</b>	body = AL / brass seals = NBR (FKM on demand) others = stainless steel
<b>Mounting</b>	in any position
<b>Operating temperature</b>	0 ÷ 80°C (with dry air - 20°C)
<b>Operating pressure</b>	see tables
<b>Nominal flow rate</b>	Qn (see tables)
<b>Nominal diameter</b>	$\varnothing$ (see tables)
<b>Fluid</b>	filtered air, without lubrication, inert gas. If lubricated air is used, it is recommended to use ISOVG32 oil. The lubrication should never be interrupted.
<b>Voltage</b>	AC standard: 24V, 50/60Hz 110V - 50/60Hz 230V - 50/60Hz DC standard: 24V
<b>Voltage tolerance</b>	AC + 10% -15% DC $\pm 10\%$
<b>Power consumption</b>	AC at inrush = 19 VA, during operation = 12 VA DC 10 W
<b>Duty cycle</b>	ED 100%
<b>Class of insulation</b>	class H
<b>Connector</b>	Mod. 124-800
<b>Protection class</b>	IP65 with connector DIN 43650/PG9

**CODING EXAMPLE**

<b>6</b>	<b>3</b>	<b>8</b>	<b>M</b>	<b>-</b>	<b>105</b>	<b>-</b>	<b>A</b>	<b>6</b>	<b>B</b>
----------	----------	----------	----------	----------	------------	----------	----------	----------	----------

<b>6</b>	SERIES:
<b>3</b>	NUMBER OF PORTS AND FUNCTIONS: 0 = interface 1 = 2 way NO 2 = 2 way NC 3 = 3 way NC 4 = 3 way NO
<b>8</b>	CONNECTION: 0 = interface 3 = G3/8 8 = G1/8 C = cartridge Ø 4
<b>M</b>	M = manifold
<b>105</b>	TYPE OF BODY: 150 = threaded body 450 = base with rotatable interface 457 = base with fixed interface 101 = single manifold 102 = 2 - part manifold    103 = 3 - part manifold 104 = 4 - part manifold    105 = 5 - part manifold 106 = 6 - part manifold    107 = 7 - part manifold 108 = 8 - part manifold    109 = 9 - part manifold 110 = 10 - part manifold   111 = 11 - part manifold 112 = 12 - part manifold   113 = 13 - part manifold 114 = 14 - part manifold   115 = 15 - part manifold
<b>A</b>	COIL MATERIAL: A = PPS
<b>6</b>	SOLENOID DIMENSIONS: 6 = 32x32
<b>B</b>	SOLENOID VOLTAGE: B = 24V 50/60Hz C = 48V 50/60 Hz D = 110V 50/60 Hz E = 230V 50/60 Hz 2 = 12V DC 3 = 24V DC 4 = 48V DC 6 = 110V DC

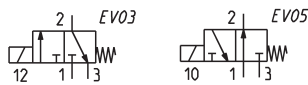
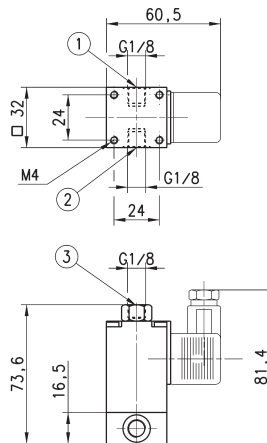
### 3/2-way NC and NO solenoid valve, G1/8 - Mod. 638 and Mod. 648

These valves are particularly suitable for operating single-acting cylinders or for use as signal valves.



In the mod. 648-150-A6\* (NO) connections 1 and 3 are inverted, while the max operating pressure is 6 bar in case a solenoid A6B, A6C, A6D, A6E is chosen.

\* = choose the solenoid voltage according to the Coding example table on page 2/1.25.02.



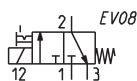
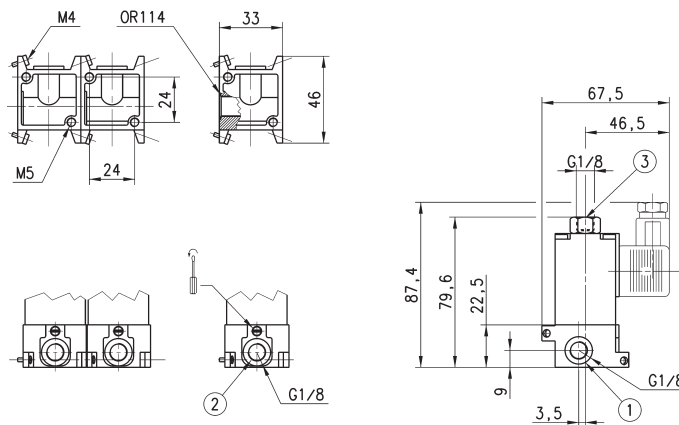
Mod.	Ports	Function	Orifice Ø (mm)	Qn (NI/min)	Pressure min-max DC (bar)	Pressure min-max AC (bar)	Symbol
638-150-A6*	G1/8	NC	2	130	0 + 10	-	EV03
648-150-A6*	G1/8	NO	2	80	0 + 8	0 + 6	EV05

### 3/2-way NC solenoid valve - Mod. 638M and Mod. 63CM

These solenoid valves are equipped with a manual override and are available with G1/8 inlet ports and with G1/8 outlets or with a diameter 4 cartridge. The body is supplied complete with screws and O-ring.



\* = choose the solenoid voltage according to the Coding example table on page 2/1.25.02.



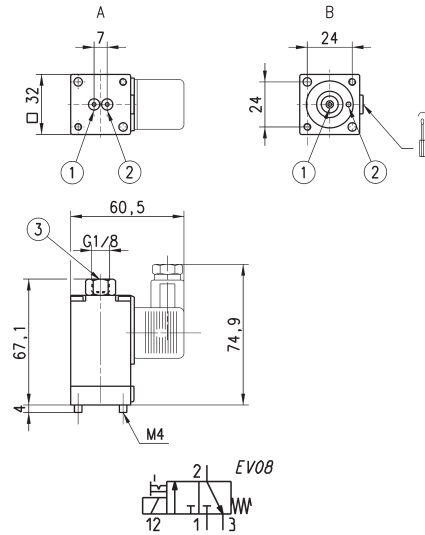
Mod.	Inlet	Outlet	Function	Orifice Ø (mm)	Qn (NI/min)	Pressure min-max (bar)
638M-101-A6*	G1/8	G1/8	NC	2	120	0 + 10
63CM-101-A6*	G1/8	cartridge Ø 4	NC	2	108	0 + 10



### 3/2-way NC solenoid valve - Mod. 600

These solenoid valves are equipped with an override and are available with two types of interface:

- A = fixed interface
- B = swivel interface



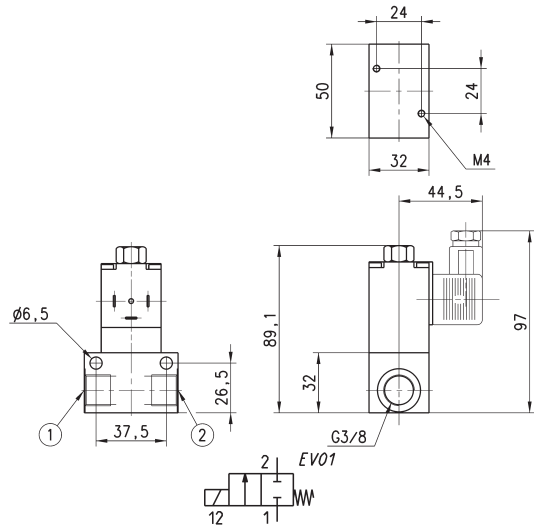
Mod.	Interface	Function	Orifice Ø (mm)	Qn (NI/min)	Pressure min-max (bar)
600-450-A6*	Swivel	NC	2	106	0 + 10
600-457-A6*	Fixed	NC	2	106	0 + 10

\* = choose the solenoid voltage according to the Coding example table on page 2/1.25.02.



### 2/2-way solenoid valves, G3/8 - Mod. 623

The 2/2-way solenoid valves with G3/8 ports are available with different orifices.



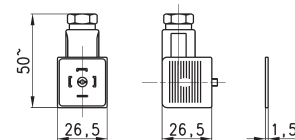
Mod.	Ports	Function	Orifice Ø (mm)	Qn (NI/min)	Pressure min-max (bar)
623-15E-A6*	G3/8	NC	2,5	230	0 + 15
623-15F-A6*	G3/8	NC	3	333	0 + 14
623-15G-A6*	G3/8	NC	4	520	0 + 6

\* = choose the solenoid voltage according to the Coding example table on page 2/1.25.02.

\*\* = maximum pressures referred to 50 Hz.

### Connector Mod. 124-800

Protection class IP65  
DIN 43650 (PG9)



Mod.  
124-800