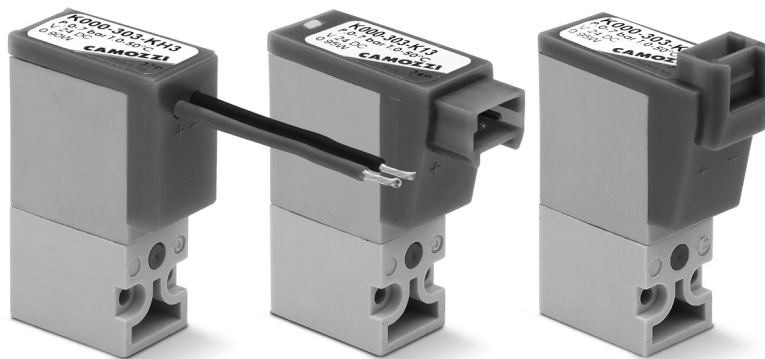


# Directly operated solenoid valves Series K

3/2-way NC and NO.

The solenoid valves can be mounted on a single base (with M5 ports) as well as on manifolds (with M5 ports).



Series K directly operated solenoid valves are available as 3/2-way either NC or NO versions. Both versions can be mounted on single sub-bases or manifolds and they are equipped with a manual override which makes the plants setting easier.

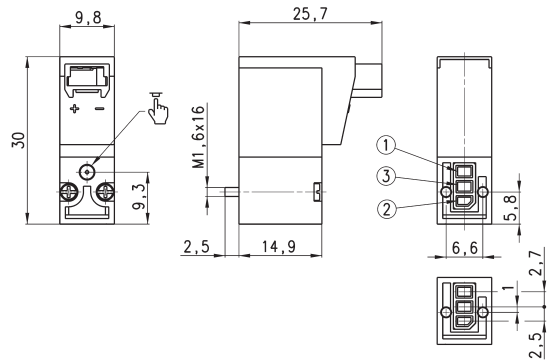
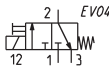
## GENERAL DATA

Valve functions	3/2 NC - NO
Construction	poppet type
Mounting	by means of screws
Materials	body = technopolymer seals = NBR (FKM on demand) others = stainless steel
Installation	in any position
Operating temperature	0 + 50°C
Operating pressure	0 + 7 bar (NC) 0 + 5 bar (NO)
Nominal flow rate (6 bar $\Delta P$ 1 bar)	Qn 10 NI/min
Nominal diameter	$\varnothing$ 0.65 mm
Fluid	filtered air without lubrication, inert gas. If lubricated air is used it is recommended to use ISOVG32 oil. Once applied the lubrication should never be interrupted.
Voltage	24V DC 12V DC 6V DC
Power consumption	0.9 W 0.95 W with visual indicator
Voltage tolerance	$\pm$ 10%
Protection class	IP50
Duty cycle	ED 100%

CODING EXAMPLE											
<b>K</b>	<b>0</b>	<b>00</b>	<b>-</b>	<b>3</b>	<b>0</b>	<b>3</b>	<b>-</b>	<b>K</b>	<b>2</b>	<b>3</b>	
<b>K</b>	SERIES										
<b>0</b>	BODY DESIGN: 0 = single sub-base (only M5) or interface 1 = manifold										
<b>00</b>	NUMBER OF POSITIONS: 00 = interface 01 = single base (only M5) 02 + 99 = manifold number of positions										
<b>3</b>	NUMBER OF WAYS - FUNCTIONS: 0 = manifold or single base 3 = 3-way NC 4 = 3-way NO 5 = 3-way NC electric part revolved by 180° 6 = 3-way NO electric part revolved by 180°										
<b>0</b>	PORTS: 0 = interface 2 = M5 side outlets										
<b>3</b>	NOMINAL DIAMETER: 3 = $\varnothing$ 0,65										
<b>K</b>	MATERIALS: K = PBT body, HNBR poppet F = PBT body, FKM poppet										
<b>2</b>	TYPE OF CONNECTION: 1 = 90° connection with protection and led 2 = 90° connection with protection 3 = 90° connection B = in-line connection with protection and led C = in-line connection with protection D = in-line connection F = cable (300mm) with protection and led G = cable (300mm) with protection H = cable only (300mm)										
<b>3</b>	SOLENOID VOLTAGE: 1 = 6V DC 2 = 12V DC 3 = 24V DC										
VERSIONS = standard version for mounting on plastic interface M = with screws for mounting on metal interfaces (on demand).											

**3/2 way NC solenoid valve (with 90° connector)**

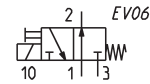
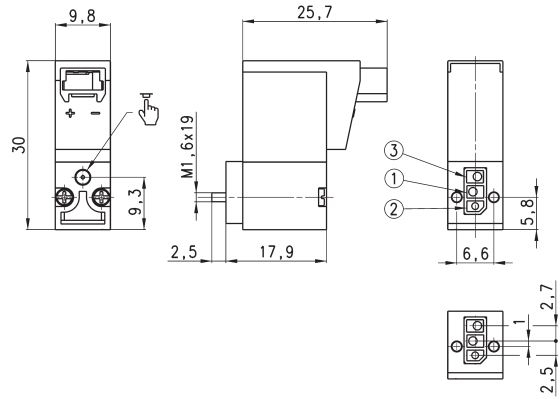
Supplied with:  
 1x interface seal  
 2x screws



- Mod.  
**K000-303-K13**  
**K000-303-K23**  
**K000-303-K33**

**3/2-way NO solenoid valve (with 90° connector)**


Supplied with:  
 1x interface for NO version  
 (connections 1 and 3 are inverted)  
 2x interface seals for NO version  
 2x screws



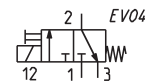
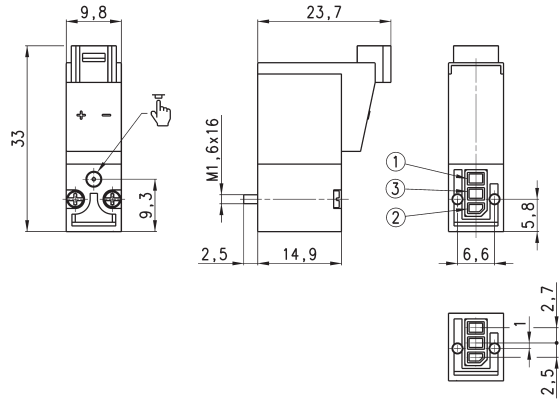
The interface for NO version is required if the valve is mounted on a manifold. In case of a single or

customised base, on the contrary, it is necessary to use screws M1,6x16 (mod. K303/61).

Mod.

**K000-403-K13**
**K000-403-K23**
**K000-403-K33**
**3/2-way NC solenoid valve (with in-line connector)**

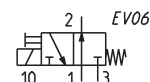
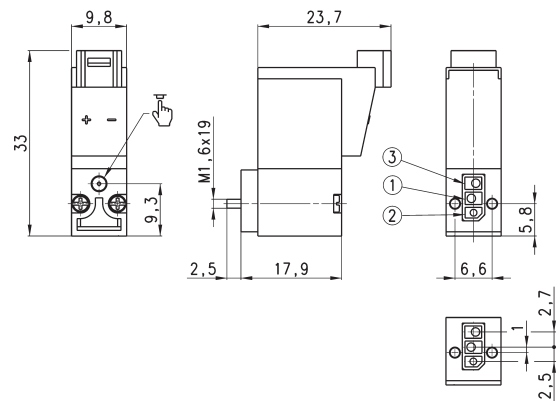

Supplied with:  
 1x interface seal  
 2x screws



Mod.

**K000-303-KB3**
**K000-303-KC3**
**K000-303-KD3**
**3/2-way NO solenoid valve (with in-line connector)**


Supplied with:  
 1x interface for NO version  
 (connections 1 and 3 are inverted)  
 2x interface seals for NO version  
 2x screws



The interface for NO version is required if the valve is mounted on a manifold. In case of a single or

customised base, on the contrary, it is necessary to use screws M1,6x16 (mod. K303/61).

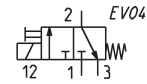
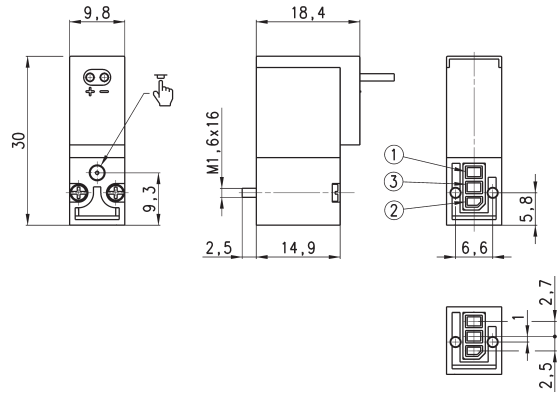
Mod.

**K000-403-KB3**
**K000-403-KC3**
**K000-403-KD3**

3/2-way NC solenoid valve (with cable 300 mm)



Supplied with:  
1x interface seal  
2x screws

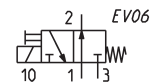
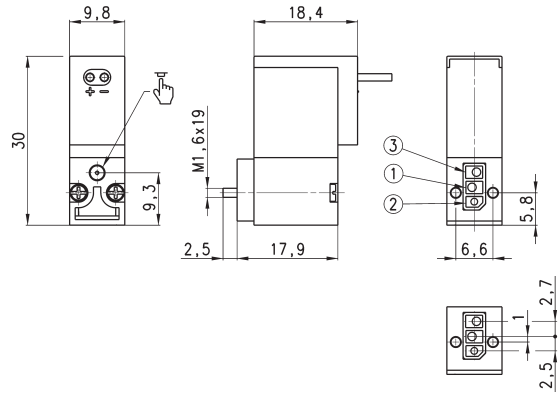


Mod.
K000-303-KF3
K000-303-KG3
K000-303-KH3

3/2-way NO solenoid valve (with cable 300 mm)



Supplied with:  
1x interface for NO version  
(connections 1 and 3 are inverted)  
2x interface seals for NO version  
2x screws



The interface for NO version is required if the valve is mounted on a manifold. In case of a single or

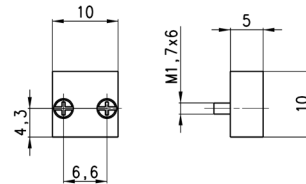
customised base, on the contrary, it is necessary to use screws M1,6x16 (mod. K303/61).

Mod.
K000-403-KF3
K000-403-KG3
K000-403-KH3

Excluder tap

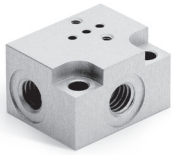


Supplied with:  
1x excluder tap  
1x interface seal  
2x screws

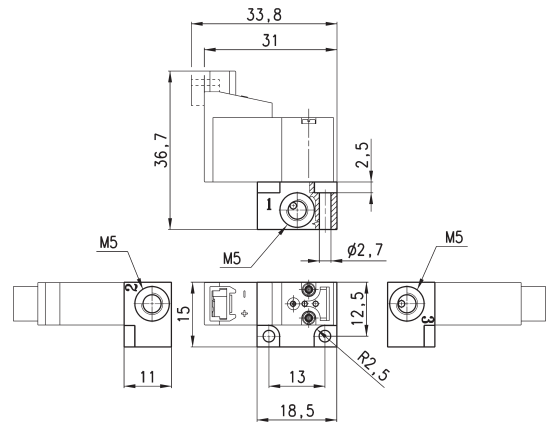


Mod.
K000-TP

### Single sub-base



Note: use solenoid valves with mounting screws on metal interfaces (see codification).



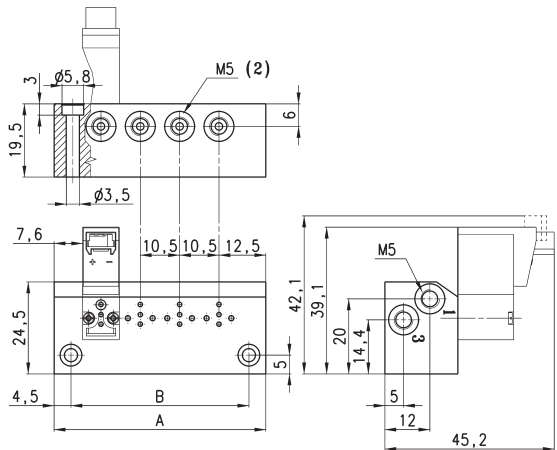
Mod.  
K001-02

### Manifold Mod. K1\*\*-02



\*\* Number of positions  
With side outlets and conveyed inlet and exhaust.

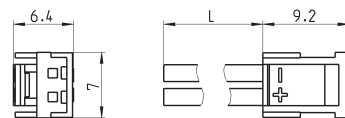
Note: use solenoid valves with mounting screws on metal interfaces (see codification).



#### DIMENSIONS

N° of ports	02	03	04	05	06	07	08	09	10
A	35,5	46	56,5	67	77,5	88	98,5	109	119,5
B	26,5	37	47,5	58	68,5	79	89,5	100	110,5

### Connector Mod. 121-8..



Mod.

cable length (mm)

121-803

300

121-806

600

121-810

1000