

# Directly operated solenoid valves Series K8

2/2 - 3/2-way

Normally Closed (NC) and Normally Open (NO)

2

CONTROL



- » Compact design
- » High performances
- » Manifold mounting
- » Long life

Thanks to their particular design these valves can be used in applications where very compact solutions are required as well as high performances.

Series K8 is used to control actuators or very small devices and it is suitable for portable equipments thanks to low power consumption, reduced weight and dimensions.

The directly operated solenoid valves Series K8 are available as 2/2 or 3/2-way either NC or NO versions.

## GENERAL DATA

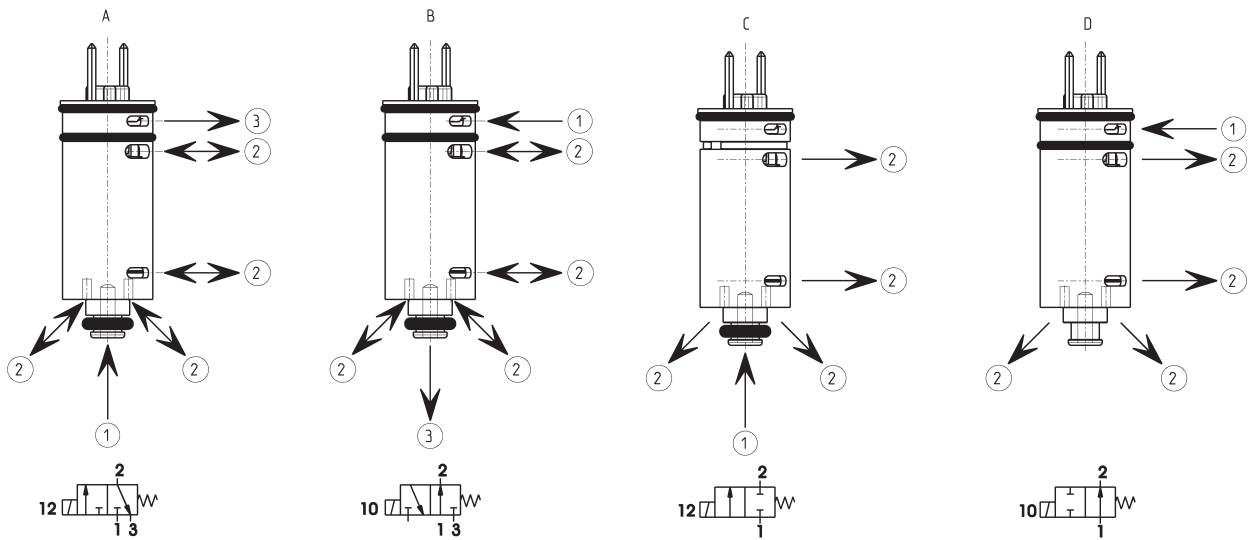
Valve functions	2/2 - 3/2-way NC and NO
Construction	poppet type
Mounting	cartridge
Materials	body = PBT technopolymer + zinc-plated steel + brass seal = FKM (EPDM on demand) others = stainless steel
Installation	in any position
Operating temperature	0 ÷ 50°C
Operating pressure	0.9 ÷ 7 bar
Nominal flow rate (6 bar ΔP 1 bar)	Qn 5 NI/min
Nominal diameter	ø 0.5 mm
Fluid	filtered air 5 μm without lubrication, inert gas.
Voltage	24V DC 12V DC 6V DC Other voltages on demand
Power consumption	0.6 W
Voltage tolerance	± 10%
Duty cycle	ED 100%

**CODING EXAMPLE**

**K8** | **0** | **00** | **-** | **3** | **0** | **3** | **-** | **K** | **2** | **3**

<b>K8</b>	SERIES
<b>0</b>	BODY DESIGN: 0 = single valve
<b>00</b>	NUMBER OF POSITIONS: 00 = valve without seat
<b>3</b>	NUMBER OF WAYS - FUNCTIONS: 0 = single base 3 = 3-way NC 4 = 3-way NO 5 = 2-way NC 6 = 2-way NO
<b>0</b>	MATERIALS AND SEALS: 0 = poppet, FKM seals
<b>3</b>	NOMINAL DIAMETER: 3 = Ø 0,5
<b>K</b>	MATERIALS: K = zinc-plated steel body, brass cage
<b>2</b>	TYPE OF CONNECTION: 2 = pin interface size 4 mm
<b>3</b>	SOLENOID VOLTAGE: 1 = 6V DC (0,6 W) 2 = 12V DC (0,6 W) 3 = 24V DC (0,6 W)

**AVAILABLE FUNCTIONS** New



A = 3/2-way valve NC  
 B = 3/2-way valve NO  
 C = 2/2-way valve NC  
 D = 2/2-way valve NO

1 = supply  
 2 = inlet  
 3 = exhaust

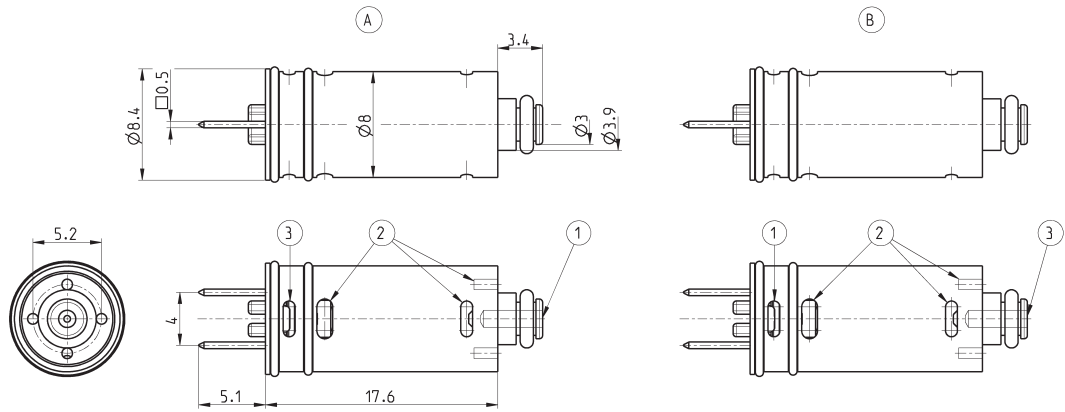
8 mm solenoid valve, 2/2 and 3/2-way NC and NO

**New**

A = normally closed version  
B = normally open version



LEGEND:  
1 = supply  
2 = inlet  
3 = exhaust



2

CONTROL

Mod.

K8000-303-K23

K8000-403-K23

K8000-503-K23

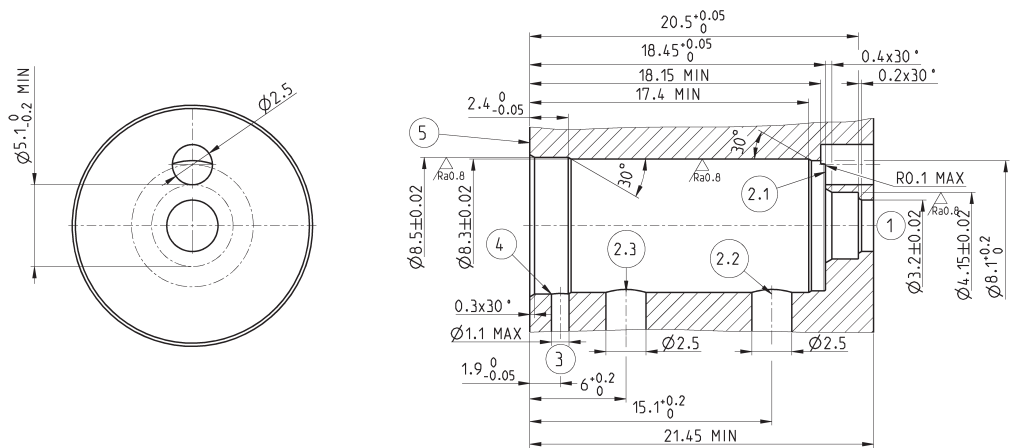
K8000-603-K23

8 mm solenoid valve seat, 2/2 and 3/2-way NC and NO

**New**

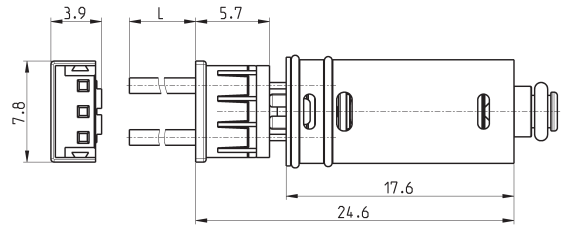
Note: better performances can be achieved if the valve seat holes are in line with the respective valve holes.

LEGEND:  
1 = supply  
2.1 = advised inlet for NC  
2.2 = advised inlet for NC  
2.3 = advised inlet for NO  
3 = exhaust  
4 = free from burrs  
5 = surface to be aligned with the upper surface of the valve reinforcement



Connector Mod. 120-8..

Cable section: 0.25 mm<sup>2</sup>  
 Cable external diameter: 1.2 mm  
 Material for the cable insulation: PVC



Mod.	L
<b>120-803</b>	300
<b>120-806</b>	600