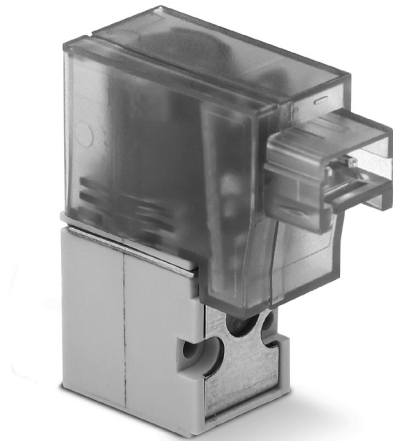


Directly operated solenoid valves Series KN

3/2-way Normally Closed (NC)



- » Low energy consumption
- » Compact design
- » High flow rate
- » Compatible constructive materials
- » ISO 15218 Interface

Thanks to its low energy consumption and to its compact design, the miniaturized solenoid valve KN can be used in industrial and scientific applications. It is also suitable for the mounting on electronic boards.

Connectors to be used: Mod. 121-8... on page 2/1.05.05

The directly operated solenoid valves Series KN are available as 3/2-way NC version.

GENERAL DATA

Valve functions	3/2 NC
Construction	poppet type
Mounting	by means of screws
Materials	body = PBT technopolymer seals = HNBR (poppet seal), NBR (FKM on demand) others = stainless steel
Installation	in any position
Operating temperature	0 ÷ 50°C
Operating pressure	0 ÷ 7 bar
Nominal flow rate (6 bar ΔP 1 bar)	Qn 10 Nl/min
Nominal diameter	ø 0.65 mm
Fluid	filtered air 5 μm without lubrication, inert gas. If lubricated air is used it is recommended to use ISOVG32 oil. Once applied the lubrication should never be interrupted.
Voltage	24V DC 12V DC 6V DC
Power consumption	1 W hook ÷ 0.25 W holding
Voltage tolerance	± 10%
Protection class	IP50
Duty cycle	ED 100%

CODING EXAMPLE

KN	0	00	-	3	0	3	-	K	1	3
-----------	----------	-----------	----------	----------	----------	----------	----------	----------	----------	----------

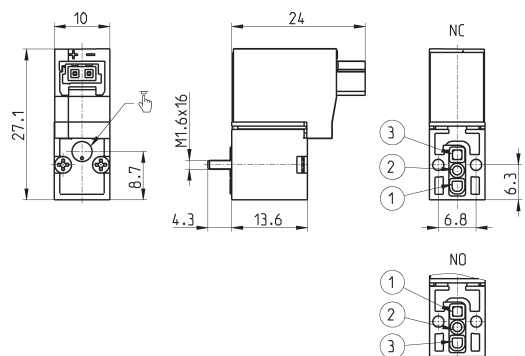
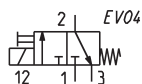
KN	SERIES
0	BODY DESIGN: 0 = single valve
00	NUMBER OF POSITIONS: 00 = interface
3	NUMBER OF WAYS - FUNCTIONS: 3 = 3/2-way NC
0	PORTS: 0 = single valve
3	NOMINAL DIAMETER: 3 = \varnothing 0,65
K	MATERIALS: K = PBT body, HNBR poppet, NBR other seals F = PBT body, FKM poppet, NBR other seals
1	TYPE OF CONNECTION: 1 = 90° connection with protection and led
3	SOLENOID VOLTAGE: 3 = 24V DC (1 W) starting (0,25W continuous)
	VERSIONS: = with screws for plastics(standard) M = with screws for metal

2

CONTROL

3/2 way NC solenoid valve


Supplied with:
 1x interface seal
 2x screws M1.6x16 UNI 10227 (for standard version)
 or
 2x screws M1.6x16 UNI 7687 (for M version)



Mod.

KN000-303-K13
2/1.06.02