

Directly operated solenoid valves Series PN

3/2-way Normally Closed (NC). The solenoid valves can be mounted on a single base (with M5 ports) as well as on manifolds (with M5 ports or cartridge \varnothing 3 and 4).

2

CONTROL



» Compact design suitable for use in reduced mounting space

Note: all the solenoid valves series PN are basically in DC.
To operate in AC at the same target voltage, the valves require the connector Mod. 125-900 (see page 2/1.15.05).

The directly operated solenoid valves Series PN are available as 3/2-way NC. They are equipped with a manual override which makes the plants setting easier and they can be mounted on single bases or on manifolds.

GENERAL DATA

Valve functions	3/2 NC
Construction	poppet type
Mounting	by means of screws on subbase with M5 ports
Materials	body = technopolymer seals = PU poppet (FKM on demand) others = stainless steel
Installation	in any position
Operating temperature	0 ÷ 50°C
Operating pressure	see the tables
Nominal flow rate (6 bar Δ P 1)	\varnothing 0,8 Qn 12 NI/min
Fluid	filtered air, without lubrication, inert gas. If lubricated air is used, it is recommended to use ISOVG32 oil. Once applied the lubrication should never be interrupted.
Voltage	see the coding example
Power consumption	2 W, 1W (24V only)
Voltage tolerance	\pm 10%
Class of insulation	class F
Protection class	IP65 (with connector DIN 40050)
Duty cycle	ED 100%

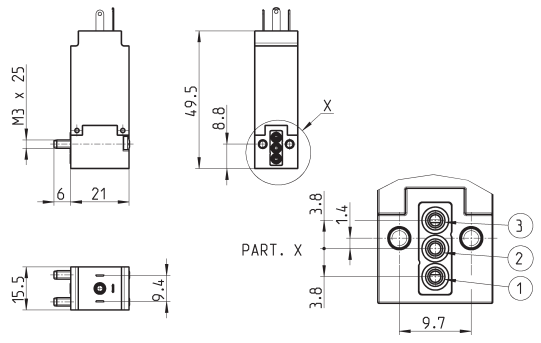
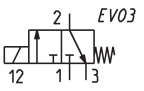
CODING EXAMPLE

PN	0	00	-	3	0	1	-	P	5	3
----	---	----	---	---	---	---	---	---	---	---

PN	SERIES
0	BODY DESIGN: 0 = single sub-base 1 = single manifold 2 = double sided manifold
00	NUMBER OF POSITIONS: 00 = interface 01 = single base (M5 only) 02 + 99 = manifold number of positions
3	NUMBER OF WAYS - FUNCTIONS: 0 = manifold or single base 3 = 3-way NC
0	VALVE PORTS: 0 = interface (for single valve only) MANIFOLD PORTS (for Series W, P and PN): 2 = M5 side port 3 = ø 3 tube side port 4 = ø 4 tube side port 6 = M5 rear ports 7 = ø 3 tube rear ports 8 = ø 4 tube rear ports
1	NOMINAL DIAMETER - MAX PRESSURE 1 = ø 0.8 (1W) 10 bar (NC) 24V only
P	MATERIALS: P = PBT body, PU poppet F = PBT body, FKM poppet
5	TYPE OF CONNECTION: 5 = 3 faston pitch 9,4
3	SOLENOID VOLTAGE: 3 = 24V DC 4 = 48V DC 6 = 110V DC 7 = 205V DC
	VERSIONS: = standard for the mounting on plastic interfaces M = with screw for the mounting on metal interface (on demand)

3/2-way NC solenoid valve

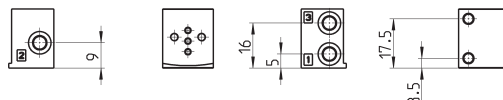
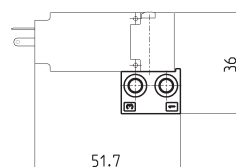
Supplied with:
1x interface seal
2x screws



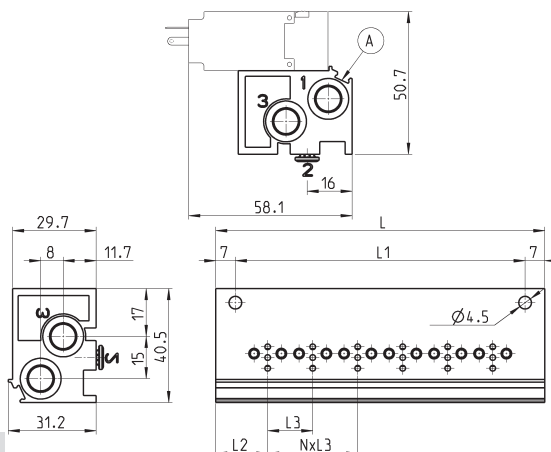
Mod.	Orifice Ø (mm)	Qn (Nl/min)	Pressure min-max (bar)
PN000-301-P53	0.8	12	0 + 10

Products designed for industrial applications.
General terms and conditions for sale are available on www.camozzi.com.

Single sub-base


 Mod.
P001-02

Single manifold with rear outlets



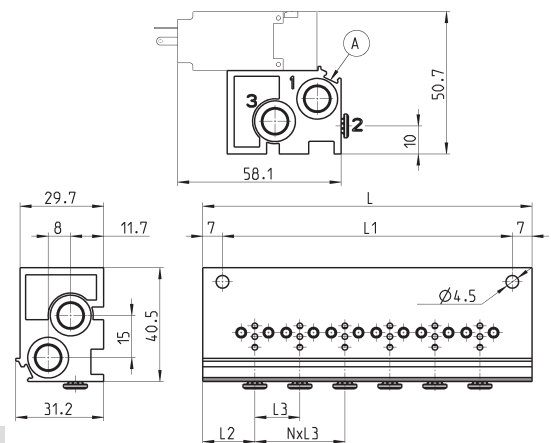
Mod.	Nr valves	L	L1	L2	L3	1 (P)	3 (R)
P102-0*	2	53	39	18,5	16	G1/8	G1/8
P103-0*	3	69	55	18,5	16	G1/8	G1/8
P104-0*	4	85	71	18,5	16	G1/8	G1/8
P105-0*	5	101	87	18,5	16	G1/8	G1/8
P106-0*	6	117	103	18,5	16	G1/8	G1/8

* = see the type of PORTS in the CODING EXAMPLE TABLE.

A = groove for electric connection identification

Single manifold with front outlets

This manifold is arranged to be fixed through DIN 46277/3 guide together with the accessory PCF-E520.

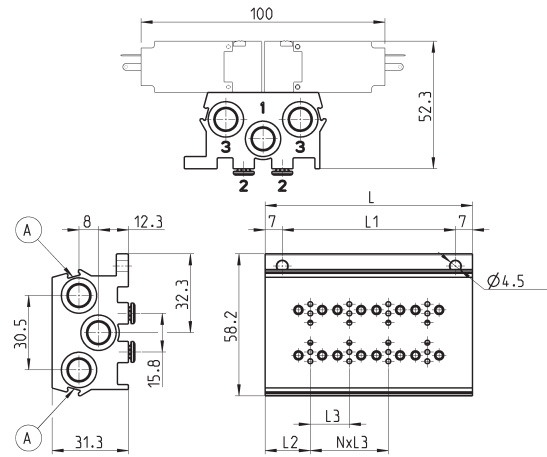


Mod.	Nr valves	L	L1	L2	L3	1 (P)	3 (R)
P102-0*	2	53	39	18,5	16	G1/8	G1/8
P103-0*	3	69	55	18,5	16	G1/8	G1/8
P104-0*	4	85	71	18,5	16	G1/8	G1/8
P105-0*	5	101	87	18,5	16	G1/8	G1/8
P106-0*	6	117	103	18,5	16	G1/8	G1/8

* = see the type of PORTS in the CODING EXAMPLE TABLE.

A = groove for electric connection identification

Double sided manifold with rear outlets



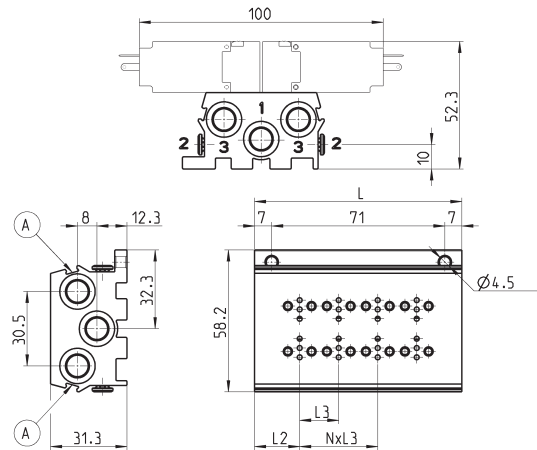
Mod.	Nr valves	L	L1	L2	L3	1 (P)	3 (R)
P204-0*	4	53	39	18,5	16	G1/8	G1/8
P206-0*	6	69	55	18,5	16	G1/8	G1/8
P208-0*	8	85	71	18,5	16	G1/8	G1/8
P210-0*	10	101	87	18,5	16	G1/8	G1/8
P212-0*	12	117	103	18,5	16	G1/8	G1/8

* = see the type of PORTS in the CODING EXAMPLE TABLE.

A = groove for electric connection identification

Double sided manifold with front outlets

This manifold is arranged to be fixed through DIN 46277/3 guide together with the accessory PCF-E520.



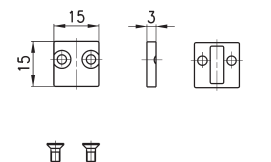
Mod.	Nr valves	L	L1	L2	L3	1 (P)	3 (R)
P204-0*	4	53	39	18,5	16	G1/8	G1/8
P206-0*	6	69	55	18,5	16	G1/8	G1/8
P208-0*	8	85	71	18,5	16	G1/8	G1/8
P210-0*	10	101	87	18,5	16	G1/8	G1/8
P212-0*	12	117	103	18,5	16	G1/8	G1/8

* = see the type of PORTS in the CODING EXAMPLE TABLE.

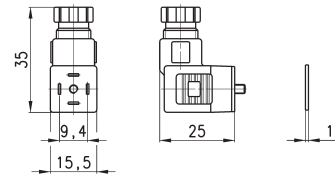
A = groove for electric connection identification

Excluder tap

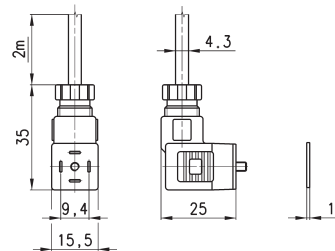
Supplied with:
1x excluder tap
1x interface seal
2x screws



Mod.
P000-TP

Connector Mod. 125-800 DIN 43650 pin spacing 9,4mm

 Mod.
125-800
Connector Mod. 125-900 DIN 43650 pin spacing 9,4mm


The internal rectifier circuit of this connector allows to use solenoid valves with different AC voltage, even if the voltage indicated on the solenoid valve is DC.


 Mod.
125-900