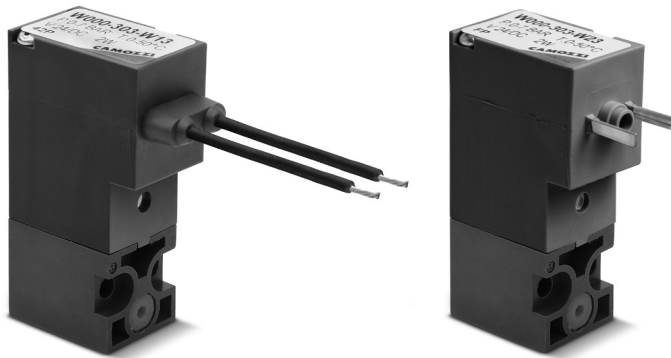


# Directly operated solenoid valves Series W

3/2-way monostable NC and NO, monostable. The solenoid valves can be mounted on a single base (with M5 ports) as well as on manifolds (with M5 ports or cartridge  $\varnothing$  3 and 4).

- » Electrical connection according to DIN 43650
- » High flow rate



Note: to choose the manifolds to be used see the manifolds for Series P on page 2/1.15.04 .

The Series W directly operated solenoid valves are available as 3/2-way either NC or NO. Both versions can be mounted on single sub-bases or manifolds and they are equipped with a manual override which make the plants setting easier.

## GENERAL DATA

<b>Valve functions</b>	3/2 NC - NO
<b>Construction</b>	poppet type
<b>Mounting</b>	by means of screws
<b>Materials</b>	body = technopolymer poppet = PU (FKM on demand) seals = NBR (FKM on demand) others = stainless steel
<b>Installation</b>	in any position
<b>Operating temperature</b>	0 + 50°C
<b>Operating pressure</b>	see table
<b>Nominal flow rate (6 bar <math>\Delta P</math> 1)</b>	$\varnothing$ 1,5 Qn 35 NI/min $\varnothing$ 1,1 Qn 25 NI/min $\varnothing$ 0,8 Qn 14 NI/min
<b>Fluid</b>	filtered air, without lubrication, inert gas. If lubricated air is used, it is recommended to use ISOVG32 oil. Once applied the lubrication should never be interrupted.
<b>Voltage</b>	see the coding example
<b>Power consumption</b>	2W, 1W (24V only)
<b>Voltage tolerances</b>	$\pm$ 10%
<b>Class of insulation</b>	class F
<b>Protection class</b>	IP65 with connector DIN 43650
<b>Duty cycle</b>	ED 100%

**CODING EXAMPLE**

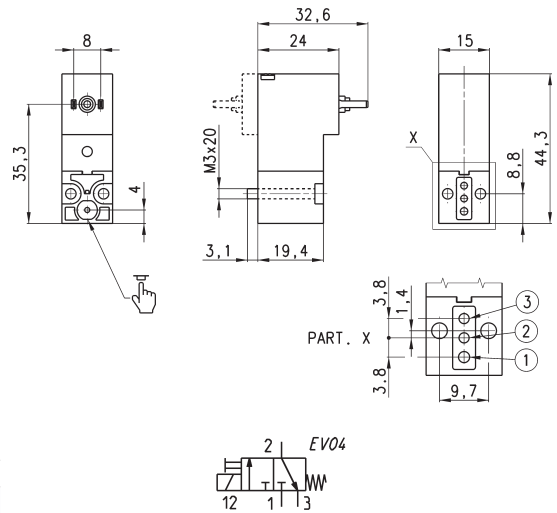
<b>W</b>	<b>0</b>	<b>00</b>	<b>-</b>	<b>3</b>	<b>0</b>	<b>3</b>	<b>-</b>	<b>W</b>	<b>2</b>	<b>3</b>	
----------	----------	-----------	----------	----------	----------	----------	----------	----------	----------	----------	--

<b>W</b>	SERIES
<b>0</b>	BODY DESIGN: 0 = single sub-base (only M5) or interface 1 = single manifold 2 = double manifold
<b>00</b>	NUMBER OF POSITIONS: 00 = interface 01 = single base (M5 only) 02 + 99 = manifold number of positions
<b>3</b>	NUMBER OF WAYS - FUNCTIONS: 0 = manifold or single sub-base 3 = 3-way NC 4 = 3-way NO 5 = 3-way NC electric part revolved by 180° 6 = 3-way NO electric part revolved by 180°
<b>0</b>	VALVE PORTS: 0 = interface  MANIFOLD PORTS (for Series W, P and PN): 2 = M5 side 3 = tube ø 3 side 4 = tube ø 4 side 6 = M5 rear ports 7 = ø 3 tube rear ports 8 = ø 4 tube rear ports
<b>3</b>	NOMINAL DIAMETER - MAX PRESSURE 1 = ø 0,8 (1W)      10 bar (NC) 24V only 3 = ø 1,5 (2W)      7 bar (NC) 5 bar (NO) 5 = ø 1,1 NC (2W)    10 bar (NC) ø 0,9 NO (2W)    10 bar (NO)
<b>W</b>	MATERIALS: W = PBT body, PU poppet F = PBT body, FKM poppet
<b>2</b>	TYPE OF CONNECTION: 1 = cables 300mm (24V DC only) 2 = 2 faston (24V - 48V DC)
<b>3</b>	SOLENOID VOLTAGE: 3 = 24V DC 4 = 48V DC
	VERSIONS: = with screws for metal (standard) P = with screws for plastics

**3/2-way NC solenoid valve, 2 faston (24V DC - 48V DC)**



Supplied with:  
 1x interface seal  
 2x screws M3x20 UNI 8112 (for standard version)  
 or  
 2x screws M3x23 UNI 10227 (for version P)

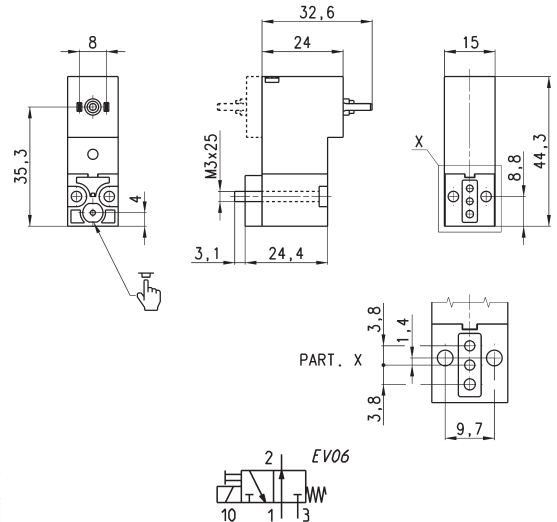


Mod.	Orifice Ø (mm)	Qn (NI/min)	Pressure min-max (bar)
<b>W000-305-W23</b>	1.1	25	0 + 10
<b>W000-303-W23</b>	1.5	35	0 + 7
<b>W000-305-W24</b>	1.1	25	0 + 10
<b>W000-303-W24</b>	1.5	35	0 + 7

**3/2-way NO solenoid valve, 2 faston (24V DC - 48V DC)**

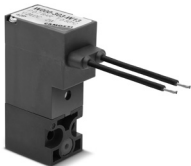


Supplied with:  
 1x interface for NO version  
 (connections 1 and 3 are inverted)  
 2x interface seals  
 2x screws M3x25 UNI 8112 (for standard version)

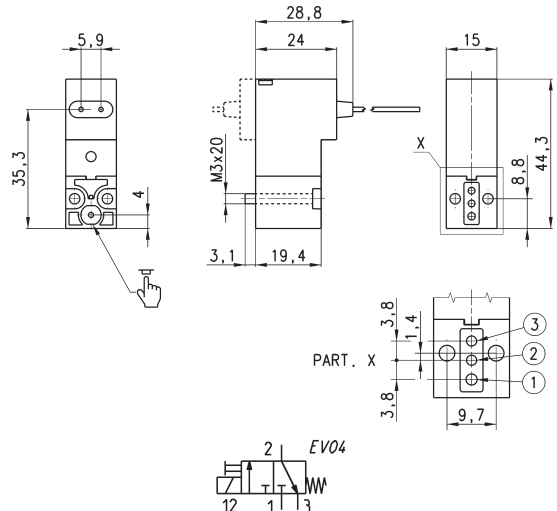


Mod.	Orifice Ø (mm)	Qn (NI/min)	Pressure min-max (bar)
<b>W000-405-W23</b>	0.9	15	0 + 10
<b>W000-403-W23</b>	1.5	23	0 + 5
<b>W000-405-W24</b>	0.9	15	0 + 10
<b>W000-403-W24</b>	1.5	23	0 + 5

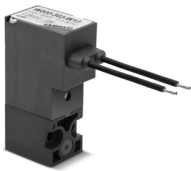
**3/2-way NC solenoid valve with cables of 300mm (24V DC only)**



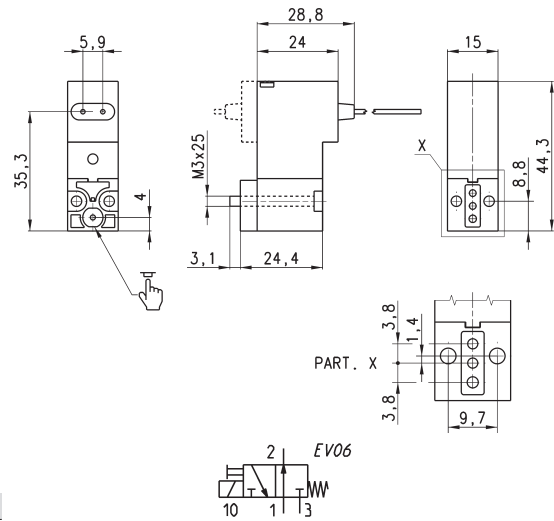
Supplied with:  
 1x interface seal  
 2x screws M3x20 UNI 8112 (for standard version)  
 or  
 2x screws M3x23 UNI 10227 (for version P)



Mod.	Orifice Ø (mm)	Qn (NI/min)	Pressure min-max (bar)
<b>W000-305-W13</b>	1.1	25	0 + 10
<b>W000-303-W13</b>	1.5	35	0 + 7

**3/2-way NO solenoid valve with cables of 300mm (24V DC only)**


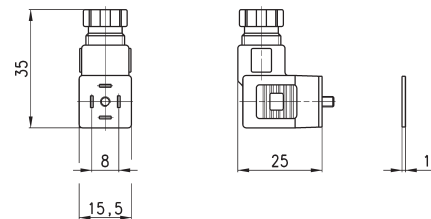
Supplied with:  
 1x interface for NO version  
 (connections 1 and 3 are inverted)  
 2x interface seals  
 2x screws M3x25 UNI 8112 (for standard version)



Mod.	Orifice Ø (mm)	Qn (NI/min)	Pressure min-max (bar)
<b>W000-405-W13</b>	0.9	15	0 + 10
<b>W000-403-W13</b>	1.5	25	0 + 5

**Connector Mod. 126-800 DIN 43650 pin spacing 8 mm**


To be used in all DC valves with voltages from 6 to 110 V.



Mod.
<b>126-800</b>