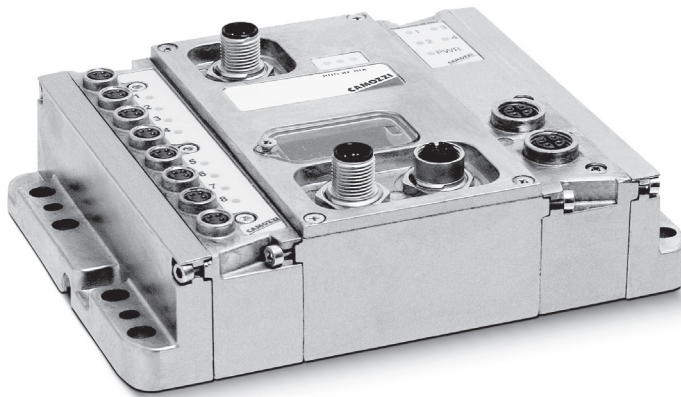


# Individual Fieldbus nodes CP2, CC2, CD2

Interface with: Profibus-DP; CANopen and DeviceNet



- » Maximum flexibility in use
- » Mounting in arduous conditions
- » Easily modifiable

Electric output mod. that can be coupled are: connect. D-Sub- 37 pin for 8/16/24/32 outlets or with 2 M12 connect. for 4 outlets. Input mod. have 8xM8 connect. and supply sensors rated up to a max of 100mA. All modules are connected by plug and socket and addressing is done by rotary switch for easy configuration.

Suitable connectors in the section 2/3.25.

This is a Fieldbus Module with class of protection IP65. Thanks to the high mechanical strength of its Aluminium support structure, it is suitable for mounting in arduous conditions. It can be coupled with electrical input/outlet modules and is able to handle up to a max of 64 solenoids and 64 inputs. Through pre-packaged connection cables, it can be interfaced with multipole valve islands.

## GENERAL DATA

|                           |   |
|---------------------------|---|
| Number of digital output  | 64  |
| Number of digital input   | 64  |
| Maximum input absorption  | 1,5 A   |
| Maximum output absorption | 3 A   |
| Signalling Led            | CP2: 1 led green RUN, 1 led red DIA, 1 led red BF<br>CD2: 1 led green IO, 1 led red NS, 1 led red MS<br>CC2: 1 led green RUN, 1 led red DIA, 1 led red BF |
| FieldBus Protocol         | CP2: Profibus-DP<br>CD2: DeviceNet<br>CC2: CanOpen  |
| Maximum number of nodes   | CP2: 32/127<br>CD2: 64<br>CC2: 127  |
| Maximum Baud rate         | CP2: 12 Mbit/sec<br>CD2: 500 Kbit/sec<br>CC2: 1 Mbit/sec  |
| Logical supply voltage *  | 24VDC (-15% / + 20%)  |
| Power supply voltage *    | 24VDC (for the tolerance, consider the total loads of the connected inputs)   |
| Protection                | overload and reverse polarity   |
| Protection class          | IP65  |
| Conform with standards    | EN-61326-1 EN-61010-1   |
| Operating temperature     | 0-50°C  |
| Material                  | Aluminium   |
| Weight                    | 250 g   |
| Dimensions                | 130x68 mm   |

\* the voltage range can change according to the range required by the external connected elements.

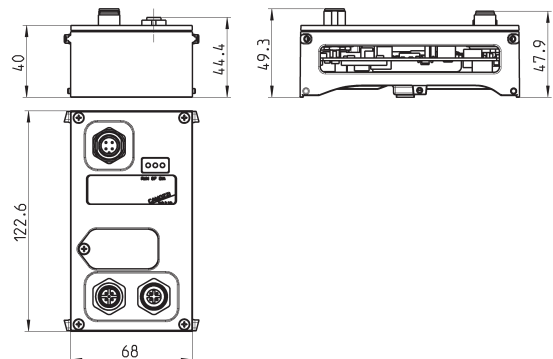
**CODING EXAMPLE**

|            |   |           |   |           |
|------------|---|-----------|---|-----------|
| <b>CP2</b> | - | <b>3A</b> | - | <b>BC</b> |
|------------|---|-----------|---|-----------|

|            |  |
|------------|--|
| <b>CP2</b> | CP2 = Profibus-DP<br>CC2 = CANopen<br>CD2 = DeviceNet  |
| <b>3A</b>  | 0 = no module<br>nA = numbers of modules 8 Input (n = 1+8) *<br>* not for DeviceNet version  |
| <b>BC</b>  | 0 = no module<br>nB = numbers of modules 4 output M12 duo<br>nC = numbers of modules 8 output sub-d 37 pin<br>nD = numbers of modules 16 output sub-d 37 pin<br>nE = numbers of modules 24 output sub-d 37 pin<br>nF = numbers of modules 32 output sub-d 37 pin<br>(es. 3 modules A + 2 modules E = 3A2E) |

2

CONTROL

**Individual Fieldbus nodes**


| Mod.           | Fieldbus Protocol |
|----------------|-------------------|
| <b>CP2-0-0</b> | Profibus-DP       |
| <b>CC2-0-0</b> | DeviceNet         |
| <b>CD2-0-0</b> | CANopen           |

## Fieldbus modules - Characteristics

Bus-In Bus-Out system for connection to the Fieldbus network.

Double electrical supplies (one for control and the other for power).

Addressing via rotary switches.

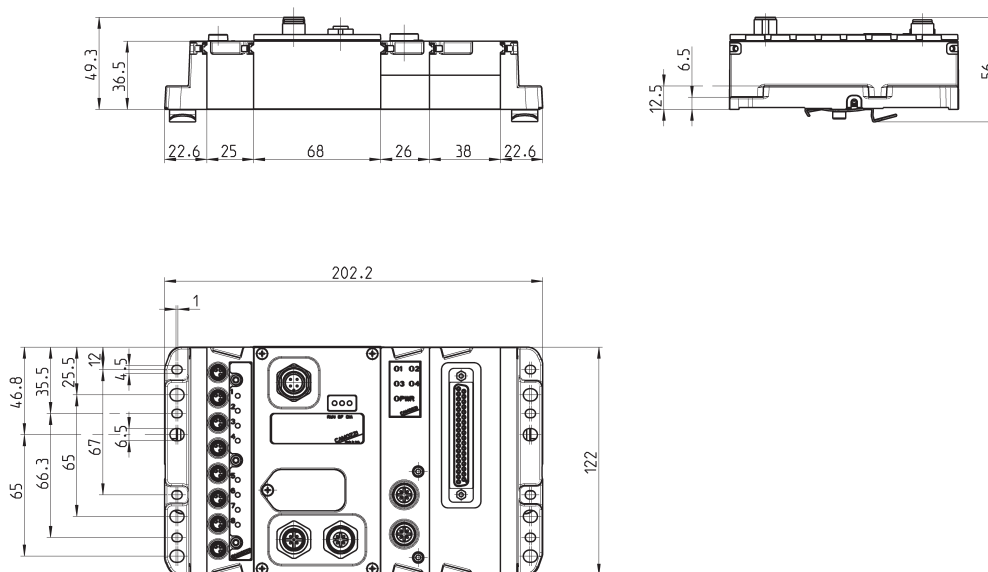
Leds indicating the working state.

Handling of a max n° of 64 inputs and 64 outputs.

Electrical connections on the same side as the pneumatic connections. The output modules can be positioned on the right hand side of the node and they provide either 2 x M12 or 37 pole Sub-D connection. In the same way it is possible to position the input modules on the left hand side, which provide 8 inputs with M8 connection. All elements can be easily inserted because of their direct connection to the plate. It is possible to use this node directly integrated on pneumatic solutions such as Series 3 and H.

Each node is part of the serial system.

Manuals and configuration files are available on our website: <http://catalogue.camozzi.com/Downloads>.



**Digital outputs module with D-SUB - 37 pin connector Mod. ME-xxxx-DD**

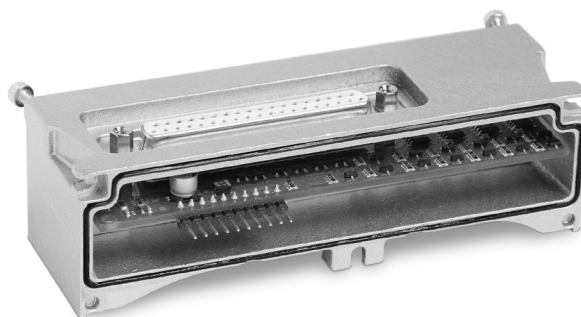
It can be also used for the connection of multipole valve islands.

Series 3: up to a max number of 22 solenoids on 11 valve positions.

Series Y: see the valve island configuration.

Series H: up to a max number of 32 solenoids on 16 valve positions.

Series F: up to a max number of 23 solenoids on 23 valve positions.


**GENERAL DATA**

|                                       | ME-0032-DD            | ME-0024-DD            | ME-0016-DD            | ME-0008-DD            |
|---------------------------------------|-----------------------|-----------------------|-----------------------|-----------------------|
| <b>Number of digital outputs</b>      | 32                    | 24                    | 16                    | 8                     |
| <b>Connection</b>                     | female D-SUB 37 poles | female D-SUB 37 poles | female D-SUB 37 poles | female D-SUB 37 poles |
| <b>Connectors</b>                     | 1                     | 1                     | 1                     | 1                     |
| <b>Dimensions</b>                     | 130 x 38 mm           | 130 x 38 mm           | 130 x 38 mm           | 130 x 38 mm           |
| <b>Type of signal</b>                 | 24 V DC PNP           | 24 V DC PNP           | 24 V DC PNP           | 24 V DC PNP           |
| <b>Overload protection</b>            | 1 A every 8 outputs   | 1 A every 8 outputs   | 1 A every 8 outputs   | 1 A every 8 outputs   |
| <b>Power consumption without load</b> | 5 mA                  | 5 mA                  | 5 mA                  | 5 mA                  |
| <b>Protection class</b>               | IP65                  | IP65                  | IP65                  | IP65                  |
| <b>Operating temperature</b>          | 0°C + 50 °C           | 0°C + 50 °C           | 0°C + 50 °C           | 0°C + 50 °C           |
| <b>Material</b>                       | Aluminium             | Aluminium             | Aluminium             | Aluminium             |
| <b>Weight</b>                         | 100 g                 | 100 g                 | 100 g                 | 100 g                 |

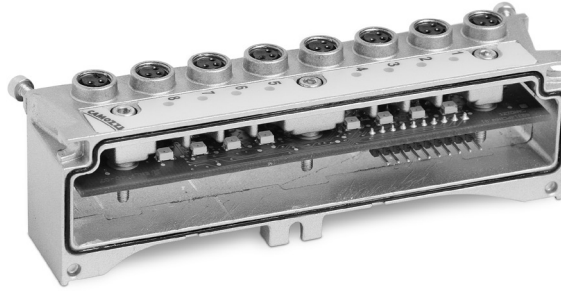
**Digital output module with M12 DUO connector Mod. ME-0004-DL**

**GENERAL DATA**

|   | ME-0004-DL   |
|---|--|
| <b>Number of digital outputs</b>            | 4  |
| <b>Connection</b>                           | female M12 5 Poles Duo   |
| <b>Number of connectors</b>                 | 2  |
| <b>Dimensions</b>                           | 130 x 25 mm  |
| <b>Signalling</b>                           | 1 Yellow Led for each single outlet<br>1 Green Led for power supply presence on the module |
| <b>Outlet voltage</b>                       | 24 V DC  |
| <b>Signal</b>                               | 24 V DC PNP  |
| <b>Overload protection - Supply voltage</b> | total 900 mA   |
| <b>Power consumption without load</b>       | 10 mA  |
| <b>Protection class</b>                     | IP65   |
| <b>Temperature</b>                          | 0°C + 50 °C  |
| <b>Material</b>                             | Aluminium  |
| <b>Weight</b>                               | 100 g  |

## Digital input Module Mod. ME-0800-DC\*

\* not for DeviceNet



### GENERAL DATA

|                                 |                           |
|---------------------------------|---------------------------|
| <b>Number of digital inputs</b> | 8                         |
| <b>Connection</b>               | M8 3 pin                  |
| <b>Number of connectors</b>     | 8                         |
| <b>Dimensions</b>               | 130 x 25 mm               |
| <b>Signalling</b>               | yellow led for each inlet |
| <b>Sensors supply</b>           | 24V DC                    |
| <b>Overload protection</b>      | 400 mA every 4 sensors    |
| <b>Power consumption</b>        | 10 mA                     |
| <b>Type of signal</b>           | PNP                       |
| <b>Protection class</b>         | IP65                      |
| <b>Operating temperature</b>    | 0-50°C                    |
| <b>Material</b>                 | Aluminium                 |
| <b>Weight</b>                   | 110 g                     |