





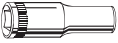
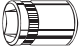
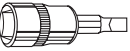




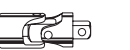
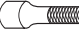









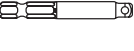
HIGHTECH Professional socket wrench case

Estuche llaves de vaso profesional universal HIGHTECH

Mala HIGHTECH Professional com roquete



HIGHTECH FINE POWER

-   14 ○ 3.5-4-4.5-5-5.5-6-7-8
9-10-11-12-13-14 mm
-  12 ○ 4-4.5-5-5.5-6-7-8
9-10-11-12-13 mm
-  7 ☆ E4-E5-E6-E7-E8-E10-E11
-  3 ○ 4-5.5-6.5 mm
-  3 + PH 1-2-3
-  3 + PZ 1-2-3
-  8 ☆ T8-T10-T15-T20-T25-T27-T30-T40
-  6 ● 3-4-5-6-7-8 mm
-  6 ● M4-M5-M6-M7-M8-M10
-  ○ 1/4" ○ 1/4"
-  ○ 1/4" ■ 1/4"
-  2 50 mm / 100 mm
-  150 mm
-  110 mm
-  ○ 1/4" ■ 1/4"
-  120 Art. 4001 
-   7 ☆ T10-T15-T20-T25-T27-T30-T40
-  ● 1/4" ■ 1/4"



↕ 300 x 190 x 60 mm

Art.	○	●
4007	1/4"	1/4"

The classic of KRAFTWERK
Socket wrench case
El clásico de KRAFTWERK
Juego de llaves de vaso
O clássico da KRAFTWERK
Jogo de chaves de caixa



- 14 3.5-4-4.5-5-5.5-6-7-8-9-10-11-12-13-14 mm
- 1/4" 1/4"
- 1/4" 1/4"
- 100 mm
- 1/4"
- Art. 3200
- 2 5.5-6.5 mm
- 2 PH 1-2
- 2 PZ 1-2
- 6 T10-T15-T20-T25-T30-T40
- 5 3-4-5-6-8 mm

Art.		
3005	1/4"	1/4"



194 x 133 x 35 mm



The most compact 1/4" drive set of the world!
All-purpose socket wrench set
 with 72 fine teeth ratchet handle with special small and flat head in solid mini-ABS-case.



El juego de 1/4" más compacto del mundo!
Juego de llaves de vaso multiuso
 con carraca 72 dientes en mini estuche sólido en ABS.

O jogo de 1/4" mais completo do mundo!
Jogo de chaves de caixa multiuso
 com roquete de 72 dentes finos, cabeça compacta numa caixa de ABS sólida.

- 14 3.5-4-4.5-5-5.5-6-7-8-9-10-11-12-13-14 mm
- 1/4" 1/4"
- 1/4" 1/4"
- 50 mm
- Art. 4009
- 3 4-4.5-5.5 mm
- 3 PH 1-2-3
- 3 PZ 1-2-3
- 8 T8-T10-T15-T20-T25-T27-T30-T40
- 5 3-4-5-6-8 mm

Art.		
4033	1/4"	1/4"



163 x 80 x 35 mm



Socket wrench case
Estuche de llaves de vaso
Mala de chaves de caixa



COMPLETO

- 14 3.5-4-4.5-5-5.5-6-7-8-9-10-11-12-13-14 mm
- 12 4-4.5-5-5.5-6-7-8-9-10-11-12-13 mm
- 3 4-5.5-6.5 mm
- 3 PH 1-2-3
- 3 PZ 1-2-3
- 8 T8-T10-T15-T20-T25-T27-T30-T40
- 6 3-4-5-6-7-8 mm
- 1/4" 1/4"
- 1/4" 1/4"
- 2 50 mm / 100 mm
- 150 mm
- 115 mm
- 1/4"
- 45 Art. 3200
- 7 T10-T15-T20-T25-T27-T30-T40
- 1/4" 1/4"
- 1/4" 1/4"



421 x 200 x 68 mm

Art.		
4900-01K	1/4"	1/4"

Socket wrench set
in solid metal case
Juego de llaves de vaso
en estuche sólido metálico
Jogo de chaves de caixa
em caixa metálica



- 12 4-4.5-5-5.5-6-7-8-9-10-11-12-13 mm
- 1/4" 1/4"
- 1/4" 1/4"
- 50 mm
- 3/8" 1/4"
- 1/4"
- 3 1.5-2-2.5 mm
- 45 Art. 3200



245 x 130 x 40 mm

Art.		
2003	1/4"	1/4"



- 5 3-4-5-6-8 mm
- 3 4-5.5-6.5 mm
- 2 PH 1-2
- 2 PZ 1-2
- 7 T10-T15-T20-T25-T27-T30-T40

COMBI socket wrench set

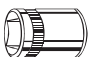
in solid 2-component box

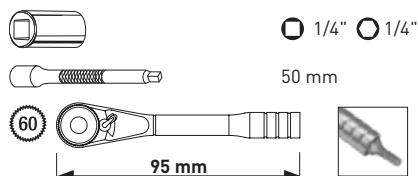
Juego de llaves de vaso COMBI







en caja sólida bi-material


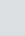
Jogo de chaves de caixa COMBI

em caixa sólida de 2 componentes

- 1/4"  13
- mm 4-4.5-5-5.5-6-7-8-9-10-11-12-13-14 mm
- inch 5/32"-7/32"-1/4"-5/16"-11/32"
3/8"-7/16"-15/32"-1/2"-9/16"
- TX E5-E6-E8-E10-E12-E14-E16-E18
- XZN M5-M6-M8-M10-M12-M14-M16-M18



- 1/4"  S2
- 2  4-5.5 mm
- 2  PH 1-2
- 2  PZ 1-2
- 4  T15-T20-T25-T30
- 2  3-4 mm

Art.		
4004	1/4"	1/4"

COMBI socket wrench set

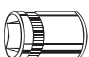
with finger ratchet handle

Juego de llaves de vaso COMBI







con pomo con carraca


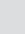
Jogo de chaves de caixa COMBI

com roquete de uma mão

- 1/4"  6
- mm 4-5-6-8-10-13 mm
- inch 5/32"-3/16"-5/16"-3/8"-1/2"
- TX E5-E8-E10-E12
- XZN M5-M6-M8-M10-M12-M16



- 1/4"  S2
- 2  5.5-6.5 mm
- 2  PH 1-2
- 2  PZ 1-2
- 6  T10-T15-T20-T25-T30-T40
- 4  3-4-5-6 mm

Art.		
38005	1/4"	1/4"



165 x 85 x 35 mm

ABS



Socket wrench and bit set


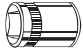

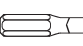










in stainless steel

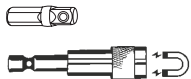
Juego de llaves de vaso y puntas



en acero inoxidable

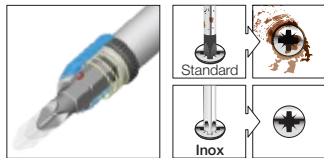
Jogo de chaves de caixa e bits

em aço inox

-   13 4-4.5-5-5.5-6-7-8-9
10-11-12-13-14 mm
 -   2  4-5.5-6.5 mm
 - 4  PH1 - 2x PH2 - PH3
 - 4  PZ1 - 2x PZ2 - PZ3
 - 7  T10-T15-T20-T25-T27-T30-T40
 - 7  T10-T15-T20-T25-T27-T30-T40
 - 5  3-4-5-6-8 mm
-  1/4"  1/4"
-  1/4"  1/4"





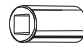











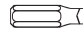






Art.		
4003	1/4"	1/4"





Socket wrench set

Juego de llaves de vaso

Jogo chaves caixa

-   10 5.5-6-7-8-9-10
11-12-13-14 mm
-   1/4"  1/4"
-   1/4"  1/4"
-   1/4"
-  2 50 / 100 mm
-   72
-    4  3-4-5-6 mm
- 4  PH1 - 2x PH2 - PH3
- 2  PZ1-PZ2-PZ3
- 7  T10-T15-T20-T25-T27-T30-T40
- 4  3-4-5-6 mm

Art.		
99073	1/4"	1/4"



165 x 85 x 35 mm

INOX-tools – to avoid external rust

Herramientas en acero inoxidable para evitar el óxido externo

Ferramentas aço INOX para evitar ferrugem externa



197 x 90 x 50 mm

Socket wrench set

in solid metal case with hard plastic edge protection.






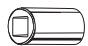






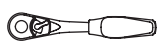


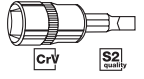











Juego de llaves de vaso

en estuche metálico con bordes de protección en plástico.

Conjunto de chaves

em caixa metálica com cantos protectores em plástico endurecido.



- 

14
 3.5-4-4.5-5-5.5-6-7-8
9-10-11-12-13-14 mm
- 
5
 5.5-7-8-10-13 mm
- 
○ 1/4" ○ 1/4"
- 
○ 1/4" ■ 1/4"
- 
○ 1/4" ■ 1/4"
- 
2
50 mm / 100 mm
- 
150 mm
- 
○ 1/4" ○ 1/4"
- 

Art. 3200

- 

3
 4-5.5-6.5 mm
- 3
 PH 1-2-3
- 3
 PZ 1-2-3
- 8
 T8-T10-T15-T20-T25-T27-T30-T40
- 6
 3-4-5-6-7-8 mm
- 

7
 T10-T15-T20-T25-T27-T30-T40
- 
4
 1.27-1.5-2-2.5 mm
- 
● 1/4" ■ 1/4"



↕ 288 x 137 x 48 mm



Art.	○	●
2004	1/4"	1/4"

HIGHTECH Professional socket wrench case

Estuche llaves de vaso profesional universal HIGHTECH

Mala HIGHTECH Professional com roquete


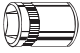



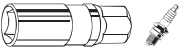


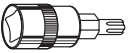

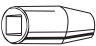
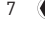
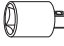
3/8"




5/16"




HIGHTECH FINE POWER











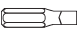





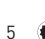





101
PCS



- 

18

6-7-8-9-10-11-12-13-14-15
16-17-18-19-20-21-22-24 mm
- 
10

10-11-12-13-14-15-17-18-19-22 mm
- 
4
14-16-18-21 mm
- 
12

E4-E5-E6-E7-E8-E10-E11
E12-E14-E16-E18-E20
- 
12

T8-T10-T15-T20-T25-T27
T30-T40-T45-T50-T55-T60
- 
7

3-4-5-6-7-8-10 mm
- 


3/8"

5/16"
- 


3/8"

1/4"
- 




3/8"

3/8"
- 


1/2"

3/8"
- 
Art. 4011

- 


5

5.5-6.5-8-10-12 mm
- 
4

PH 1-2-3-4
- 
4

PZ 1-2-3-4
- 
12

T10-T15-T20-T25-T27-T30
T40-T45-T50-T55-T60-T70
- 
5

M5-M6-M8-M10-M12
- 


1/4"

3/8"



400 x 290 x 80 mm

Art.		
4017	3/8"	5/16"

Socket wrench set



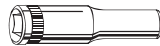



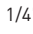


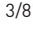

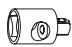









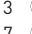
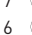

in solid metal case



Juego de llaves de vaso

en estuche sólido metálico

Jogo de chaves de caixa

em caixa metálica




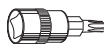



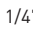
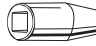

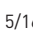









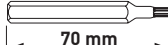





-   15 6-7-8-9-10-11-12-13-14
15-16-17-18-19-22 mm
-  4 10-13-17-19 mm
-  2 16 mm / 21 mm
-   3/8"  1/4"
-   3/8"  3/8"
-  2 75 mm / 250 mm
-   1/2"  3/8"
-   Art. 3210
-    4  4-5-5-6.5-8 mm
- 3  PH 1-2-3
- 3  PZ 1-2-3
- 7  T10-T15-T20-T25-T27-T30-T40
- 6  3-4-5-6-7-8 mm



Art.		
2013	3/8"	1/4"

HIGHTECH Professional socket wrench case

Estuche llaves de vaso profesional universal HIGHTECH

Mala HIGHTECH Professional com roquete

-   12  E4-E5-E6-E7-E8-E10-E11
E12-E14-E16-E18-E20
-  12  T8-T10-T15-T20-T25-T27
T30-T40-T45-T50-T55-T60
-   3/8"  1/4"
-   3/8"  5/16"
-    7  T10-T15-T20-T25-T27-T30-T40
-    4  T45-T50-T55-T60
-    5  M5-M6-M8-M10-M12
-   1/4"  3/8"

Art.		
4013	3/8"	1/4" + 5/16"



 350 x 195 x 50 mm



HIGHTECH



 260 x 160 x 60 mm

Socket wrench set

Juego de llaves de vaso

Jogo de chaves de caixa

- | | | | |
|--|--|----|--|
| | | 14 | 3.5-4-4.5-5-5.5-6-7-8
9-10-11-12-13-14 mm |
| | | | ○ 1/4" ○ 1/4" |
| | | | ○ 1/4" ■ 1/4" |
| | | 2 | 50 mm / 100 mm |
| | | | ○ 1/4" ■ 3/8" |
| | | 45 | Art. 3200 |
| | | 14 | 10-13-15-16-17-18-19
20-21-22-24 mm |
| | | | ○ 3/8" ■ 3/8" |
| | | 2 | 75 mm / 250 mm |
| | | | ○ 1/2" ■ 3/8" |
| | | 45 | Art. 3210 |
| | | 4 | 4.5-5-6.5-8 mm |
| | | 4 | PH 0-1-2-3 |
| | | 3 | PZ 1-2-3 |
| | | 7 | T10-T15-T20-T25-T27-T30-T40 |
| | | 7 | T10-T15-T20-T25-T27-T30-T40 |
| | | 6 | 3-4-5-6-7-8 mm |
| | | | ● 1/4" ■ 1/4" |
| | | | ● 1/4" ○ 1/4" |

Art.	○	●
3035	1/4" + 3/8"	1/4"

The most compact 1/4" + 3/8" drive set!

Socket wrench set with two 72 fine teeth slim head ratchet handles in solid ABS-case.

El juego más compacto 1/4"+3/8"!

Estuche sólido en ABS de llaves de vaso con dos carracas finas de 72 dientes.

Jogo de chaves de caixa 1/4"+3/8" mais compacto!

Com dois Roquetes de 72 dentes finos e cabeça baixa num estojo sólido em ABS.

- | | | | |
|--|--|----|--|
| | | 14 | 3.5-4-4.5-5-5.5-6-7-8-9
10-11-12-13-14 mm |
| | | | ○ 1/4" ○ 1/4" |
| | | | ○ 1/4" ■ 1/4" |
| | | | 100 mm |
| | | | ○ 3/8" ■ 1/4" |
| | | 72 | Art. 4009 |



- | | | | |
|--|--|----|---|
| | | 12 | 10-13-14-15-16-17-18-19
20-21-22-24 mm |
| | | 2 | 16 mm / 21 mm |

Art.	○
4045	1/4" + 3/8"

1/4" 3/8" 1/4" 69 PCS



ABS

380 x 212 x 55 mm



1/4" 3/8" 37 PCS



ABS

305 x 140 x 42 mm

- | | |
|--|---------------|
| | ○ 3/8" ■ 3/8" |
| | 150 mm |
| | ○ 1/2" ■ 3/8" |
| | 72 Art. 4019 |

HIGHTECH Professional socket wrench case


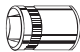




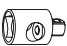




with deep impact sockets

Estuche llaves de vaso profesional universal HIGHTECH

con vasos largos de impacto

Mala HIGHTECH Professional com roquete

com chaves de impacto longas

		19	○	8-10-11-12-13-14-15-16-17-18 19-20-21-22-24-27-30-32-34 mm
		6	○	10-13-17-19-21-22 mm
		4		14-16-18-21 mm
		8	⊕	E10-E12-E14-E16-E18-E20-E22-E24
			○	1/2" ⊕ 1/2"
			○	1/2" ⊕ 3/8"
		2		125 mm / 250 mm
				Art. 4021 

Art.	○
4027	1/2"

Socket wrench set






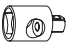


in solid metal case

Juego de llaves de vaso

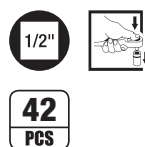
en estuche sólido metálico

Jogo de chaves de caixa

em caixa metálica

		15	○	10-11-12-13-14-15-16-17-18 19-22-24-27-30-32 mm
		2		16 mm / 21 mm
			○	1/2" ⊕ 1/2"
		2		125 mm / 250 mm
			○	3/8" ⊕ 1/2"
				Art. 3220

Art.	○
2023	1/2"



HIGHTECH FINE POWER



↕ 360 x 260 x 95 mm

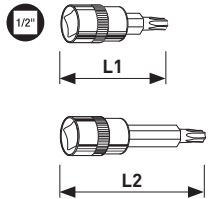


↕ 350 x 195 x 50 mm

TX bit-socket set

Juego de vasos con punta TX

Jogo de chaves caixa com bit TX



12 T10-T15-T20-T25-T27-T30
T40-T45-T50-T55-T60-T70

11 T10-T15-T20-T25-T27-T30
T40-T45-T50-T55-T60



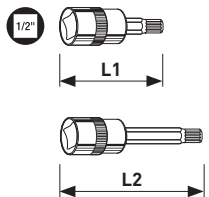
✚ 371 x 156 x 42 mm

Art.	⊙	L1 / L2
2025	1/2"	55 / 100 mm

Hexagon- and XZN spline bit-socket set

Juego de vasos con punta hexagonal y XZN

Jogo de chaves caixa com bit sextavado e XZN



6 5-6-7-8-10-12 mm

5 M5-M6-M8-M10-M12

6 5-6-7-8-10-12 mm

5 M5-M6-M8-M10-M12



✚ 371 x 156 x 42 mm

Art.	⊙	L1 / L2
2026	1/2"	55 / 100 mm

HIGHTECH Professional socket wrench case


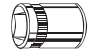








with deep impact sockets

Estuche llaves de vaso profesional universal HIGHTECH

con vasos largos de impacto

Mala HIGHTECH Professional com roquete

com chaves de impacto longas

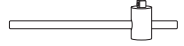
-   14 ○ 3.5-4-4.5-5-5.5-6-7-8
9-10-11-12-13-14 mm
-  12 ○ 4-4.5-5-5.5-6-7-8
9-10-11-12-13 mm
-  7 ⊗ E4-E5-E6-E7-E8-E10-E11
-  3 ○ 4-5.5-6.5 mm
-  2 ⊕ PH 1-2
-  3 ⊕ PZ 0-1-2
-  8 ⊛ T8-T10-T15-T20-T25-T27-T30-T40
-  6 ● 3-4-5-6-7-8 mm
-  5 ● M4-M5-M6-M7-M8


-  ○ 1/4" ○ 1/4"

-  ○ 1/4" ■ 1/4"

-  2 50 mm / 100 mm

-  150 mm

-  110 mm

-  ○ 1/4" ■ 1/4"

-  120  Art. 4001 

-   7 ⊛ T10-T15-T20-T25-T27-T30-T40

-  ● 1/4" ■ 1/4"

-   16 ○ 10-13-14-15-16-17-18-19
20-21-22-24-27-30-32-34 mm

-  5 ○ 15-17-19-21-22 mm

-  4 14-16-18-21 mm

-  7 ⊗ E12-E14-E16-E18-E20-E22-E24

-  4 ● M10-M12-M14-M16

-  ○ 1/2" ■ 1/2"



133
PCS

HIGHTECH FINE POWER



460 x 350 x 90 mm


-  ○ 1/2" ○ 5/16"

-  ○ 1/2" ■ 3/8"


-  2 125 mm / 250 mm

-  120  Art. 4021 

-   3 ○ 8-10-12 mm

-  2 ⊕ PH 3-4

-  2 ⊕ PZ 3-4

-  5 ⊛ T45-T50-T55-T60-T70

-  3 ● 10-12-14 mm

Art.	○	●
4037	1/2" + 1/4"	5/16"

Socket wrench set

in solid metal case




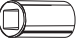










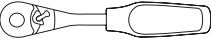
Juego de llaves de vaso

en estuche sólido metálico

Jogo de chaves de caixa




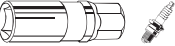









em caixa metálica




-   12 4-4.5-5-5.5-6-7-8-9-10-11-12-13 mm
-  3 8-10-13 mm
-   1/4"  1/4"
-   1/4"  1/4"
-  50 mm
-  115 mm
-   1/4"
-   Art. 3200





↕ 435 x 265 x 50 mm

-   11 14-15-16-17-18-19-22-24-27-30-32 mm
-  2 17 mm / 19 mm
-  2 16 mm / 21 mm
-   1/2"  5/16"
-   1/2"  1/2"
-  2 125 mm / 250 mm
-   Art. 3220

-    3  4-5.5-6.5 mm
- 2  PH 1-2
- 2  PZ 1-2
- 6  T10-T15-T20-T25-T27-T30
- 4  3-4-5-6 mm

-    2  8-10 mm
- 2  PH 3-4
- 2  PZ 3-4
- 4  T40-T45-T50-T55
- 2  8-10 mm


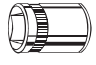




Art.		
2033	1/4" + 1/2"	1/4" + 5/16"













Universal COMBI socket wrench case
with 2 extensible ratchet handles and combination spanners



Maleta universal de vasos COMBI
con 2 carracas extensibles y llaves combinadas


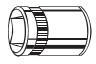



Mala de chaves de caixa universal COMBI
com 2 roquetes extensíveis e chaves combinadas

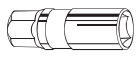


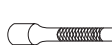










-   13
 -  **mm** 4-4.5-5-5.5-6-7-8-9-10-11-12-13-14 mm
 -  **inch** 5/32"-7/32"-1/4"-5/16"-11/32"-3/8"-7/16"
15/32"-1/2"-9/16"
 -  **TX** E5-E6-E8-E10-E12-E14-E16-E18
 -  **XZN** M5-M6-M8-M10-M12-M14-M16-M18

-    1/4"  1/4"
-    1/4"  1/4"
-  2 50 mm / 100 mm
-  150 mm
-   1/4"

- Art. 2000   150-200 mm

-   12
 -  **mm** 15-16-17-18-19-20-21-22-24-27-30-32 mm
 -  **inch** 19/32"-5/8"-11/16"-3/4"-25/32"-13/16"-7/8"
15/16"-1-1-1/16"-1-3/16"-1-1/4"
 -  **TX** E20-E22-E24-E26-E28-E30-E34-E38-E40

-   2 16 mm / 21 mm
-    1/2"  1/2"
-  2 125 mm / 250 mm
-   1/2"  3/8"

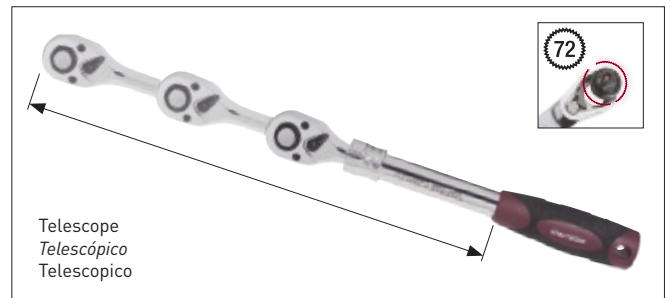
- Art. 2020   305-445 mm



-   
 - 4  4.5-5-6.5-8 mm
 - 4  PH 0-1-2-3
 - 3  PZ 1-2-3
 - 7  T10-T15-T20-T25-T27-T30-T40
 - 7  T10-T15-T20-T25-T27-T30-T40
 - 6  3-4-5-6-7-8 mm

-    1/4"  1/4"
-    1/4"  1/4"
-  9 8-10-11-12-13-14-17-19-22 mm



435 x 350 x 69 mm



Art.		
2034	1/4" + 1/2"	1/4"

Socket wrench set

in solid metal case with hard plastic edge protection


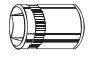
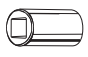












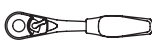

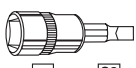









Juego de llaves de vaso

en estuche metálico con bordes de protección en plástico

Conjunto de chaves

em caixa metálica com cantos protectores em plástico endurecido



-   13 3.5-4-4.5-5-5.5-6-7-8-9
10-11-12-13 mm
-   1/4"  1/4"
-   1/4"  1/4"
-   1/4"  1/4"
-  2 50 mm / 100 mm
-   1/4"
-   Art. 3200 
-  3  4-5-5-6.5 mm
-  3  PH 1-2-3
-  3  PZ 1-2-3
-  8  T8-T10-T15-T20-T25-T27-T30-T40
-  5  3-4-5-6-8 mm

-   7  T10-T15-T20-T25-T27-T30-T40

-   12 14-15-16-17-18-19-21
22-24-27-30-32 mm

-   2 16 mm / 21 mm

-   1/2"  1/2"

-   3/8"  1/2"

-  2 125 mm / 250 mm



-   Art. 3220 

-  4  1.27-1.5-2-2.5 mm



450 x 190 x 57 mm



Art.		
2032	1/4" + 1/2"	1/4"





Heavy duty socket wrench cases

Fine teeth ratchet handles with socket quick release function and extension bars with locking system

Estuches industriales de llaves de vaso

Carracas con función de extracción rápida y alargadera con sistema de bloqueo

Jogos de chaves de caixa "Heavy duty"

Roquetes com mecanismo de ejeção de chaves e extensões com sistema de segurança

Socket wrench case

with ratchet handle without telescope function


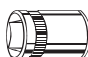

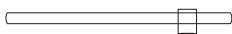
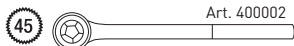
Estuche de llaves de vaso

con carraca sin función de mango telescópico/extensible

Jogo de chaves de caixa

com roquete sem mecanismo extensível



		16	19-21-22-23-24-26-27-29 30-32-35-36-38-41-46-50 mm
		3	100-200-400 mm
			460 mm
			500 mm

Art. 400002



535 x 383 x 100 mm

Art.	□
2056	3/4"

Socket wrench case

with extensible/telescope ratchet handle

Estuche de llaves de vaso


Carraca con mango telescópico/extensible

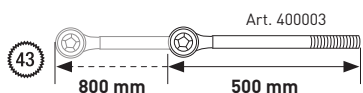
Jogo de chaves de caixa

com roquete extensível

  16 19-21-22-23-24-26-27-29
30-32-35-36-38-41-46-50 mm

 3 100-200-400 mm

 460 mm


 Art. 400003
800 mm 500 mm



Art.	⊙
2057	3/4"



 535 x 383 x 100 mm

Socket wrench case


with extensible/telescope ratchet handle, in solid metal case


Estuche de llaves de vaso

Carraca con mango telescópico/extensible, en caja metálica maciza

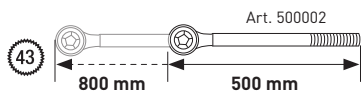
Jogo de chaves de caixa

com roquete extensível, em caixa metálica

  17 36-38-41-46-50-54-55-58-60
63-65-67-70-71-75-77-80 mm

 2 200 mm / 400 mm


 ⊙ 1" ⊙ 1"

 Art. 500002
800 mm 500 mm

Art.	⊙
2053	1"



 700 x 280 x 108 mm

Pass-through socket wrench sets

1. The pass-through head design enables the fastening and unfastening jobs with long bolt and threaded rods. No deep sockets needed anymore.
2. The unique drive configuration increases torque strength by 40%. The 72 teeth ratchet handle reduces the return angle to 5° only.
3. Overall height is reduced by 50%, width by 20%.
4. Usage of standard sockets with quick release adapters 1/4", 3/8" and 1/2" drive.



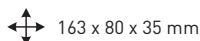
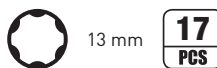
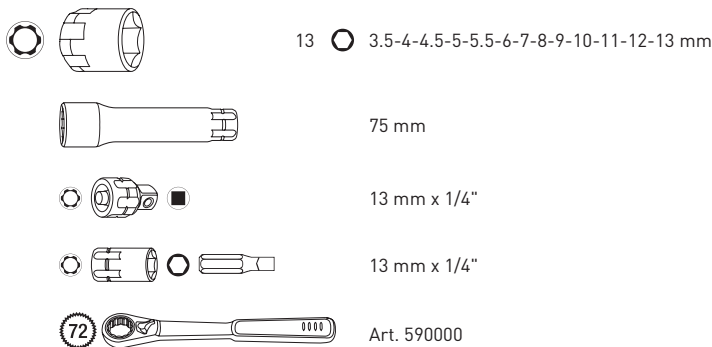
Juegos de llaves de vaso abiertas

1. La cabeza abierta de la carraca permite la entrada en un espárrago largo para el apriete/desapriete de tuercas. ¡Se acabaron los vasos largos!
2. La configuración especial de la carraca incrementa la fuerza de apriete en un 40%. Carraca con 72 dientes que reduce el ángulo de recuperación a sólo 5°.
3. Reducción de la altura en un 50% y del grosor en un 20%.
4. Utilización de vasos standard con adaptadores de extracción rápida de 1/4", 3/8" y 1/2".

Jogos de chaves de caixa de aperto

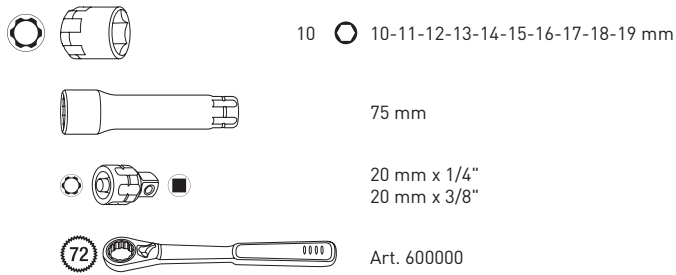
1. O desenho da cabeça do roquete permite o aperto e o desaperto de parafusos longos e varão roscado. A utilização de chaves longas não será mais necessária.
2. A configuração única e especial deste roquete aumenta a força do torque em 40%. O roquete de 72 dentes finos diminui o ângulo de aperto a apenas 5°.
3. Redução da altura em 50% e da espessura em 20%.
4. Utilização de chaves standard com adaptadores 1/4", 3/8" e 1/2".


Pass-through socket wrench set Juego de llaves de vaso abiertas Jogo de chaves de caixa de aperto



Art.	
4002	13 mm

Pass-through socket wrench set
Juego de llaves de vaso abiertas
Jogo de chaves de caixa de aperto

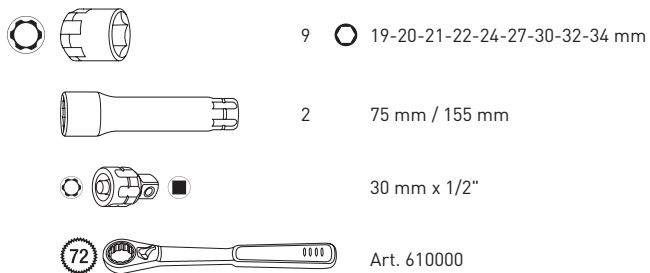


Art.	
4012	20 mm



305 x 140 x 42 mm

Pass-through socket wrench set
Juego de llaves de vaso abiertas
Jogo de chaves de caixa de aperto



Art.	
4022	30 mm

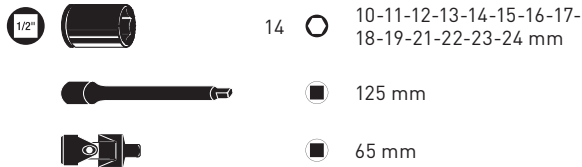


380 x 210 x 55 mm

Impact socket wrench set

Juego de llaves de vaso de impacto

Jogo de chaves impacto



Art.
380005

Deep impact socket wrench set

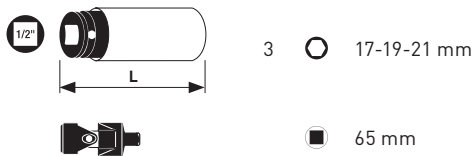
with plastic insert to protect the wheel nuts and plastic sleeve for aluminium rims

Juego de llaves de vaso largo de impacto

con plástico para proteger las tuercas de rueda y recubrimiento plástico para llantas de aluminio

Jogo de chaves impacto

com protecção plástica para proteger as porcas das rodas e manga plástica para as jantes de alumínio



Art.	L mm
3083	85

Deep impact socket wrench set

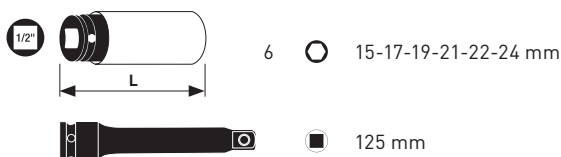
with plastic insert to protect the wheel nuts and plastic sleeve for aluminium rims

Juego de llaves de vaso largo de impacto

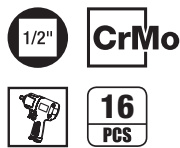
con plástico para proteger las tuercas de rueda y manga plástica para llantas de aluminio

Jogo de chaves impacto

com protecção plástica para proteger as porcas das rodas e manga plástica para as jantes de alumínio



Art.	L mm
381005	85



TX impact socket wrench set

Juego de llaves de vaso de impacto, TX

Jogo de chaves de caixa impacto TX



12 T10-T15-T20-T25-T27-T30
T40-T45-T50-T55-T60-T70

Art.	L mm
3084	78



210 x 145 x 50 mm

Hexagonal impact socket wrench set

Juego de llaves de vaso de impacto, hexagonal

Jogo de chaves de caixa impacto sextavada



12 3-4-5-6-7-8-9-10
12-14-16-17 mm

Art.	L mm
3086	78




210 x 145 x 50 mm

XZN impact socket wrench set

Juego de llaves de vaso de impacto, XZN

Jogo de chaves de caixa impacto XZN



10  M4-M5-M6-M8-M9-M10
M12-M14-M16-M18

Art.	L mm
3087	78

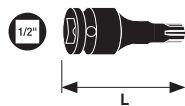



✚ 210 x 145 x 50 mm

RIBE impact socket wrench set

Juego de llaves de vaso de impacto, RIBE

Jogo de chaves de caixa impacto RIBE



10  RM4-RM5-RM6-RM7-RM8-RM9
RM10-RM12-RM13-RM14

Art.	L mm
3089	78





✚ 210 x 145 x 50 mm

Impact socket wrench set
Juego de llaves de vaso largo de impacto
Jogo de chaves impacto


  8  26-27-29-30-32-35-36-38 mm

Art.

400005

 **CrMo**
 **8**
PCS





 465 x 186 x 78 mm

Deep impact socket wrench set
Juego de llaves de vaso largo de impacto
Jogo de chaves longa impacto


  8  26-27-29-30-32-35-36-38 mm

Art.

400015

 **CrMo**
 **8**
PCS





 465 x 186 x 78 mm

Deep impact socket wrench set
Juego de llaves de vaso largo de impacto
Jogo de chaves longa impacto


  7  24-27-30-32-33-36-38 mm

Art.

500015

 **CrMo**
 **7**
PCS



 465 x 186 x 78 mm

HIGHTECH Professional socket wrench case

metric and inch, with 4 ratchet handles, impact sockets, combination spanners and bits for safety screws.

Estuche llaves de vaso profesional universal HIGHTECH

métrico y pulgadas, con 4 carracas, llaves combinadas y puntas, incluso puntas para tornillos de seguridad.

Mala HIGHTECH Professional com roquete

chaves e bits combinados, compatível mesmo para parafusos de segurança. Sistema métrico e polegada.



HIGHTECH FINE POWER



550 x 380 x 110 mm

- 14 3.5-4-4.5-5-5.5-6-7-8-9
10-11-12-13-14 mm
- 5 1/4"-9/32"-5/16"-11/32"-3/8"
- 8 4-4.5-5-5.5-6-7-8-9 mm
- 5 E4-E5-E6-E7-E8
- 5 M4-M5-M6-M7-M8
- 1/4" 1/4"
- 1/4" 1/4"
- 2 50 mm / 100 mm
- 150 mm
- 110 mm
- 1/4" 1/4"
- Art. 4001

- 10 10-11-12-13-14
15-16-17-18-19 mm
- 10 7/16"-1/2"-9/16"-5/8"-11/16"
3/4"-13/16"-7/8"-15/16"-1"
- 6 10-11-12-13-14-15 mm
- 4 14-16-18-21 mm
- 4 E10-E11-E12-E14
- 3/8" 1/4"
- 3/8" 5/16"
- 3/8" 3/8"
- 3/8" 1/4"
- 3/8" 1/2"
- 2 75 mm / 250 mm
- Art. 4011

- 6 4-4.5-5.5-6-6.5-8 mm
- 4 PH 1-2-3-4
- 4 PZ 1-2-3-4
- 8 T8-T10-T15-T20-T25-T27-T30-T40
- 8 T8-T10-T15-T20-T25-T27-T30-T40
- 6 3-4-5-6-7-8 mm
- 6 2-2.5-3-4-5-6 mm
- 6 5/64"-3/32"-7/64"-1/8"-9/64"-5/32"
- 3 Nos. 6-8-10
- 4 Nos. 1-2-3-4
- 4 Nos. 4-6-8-10



Art.					
4047					
	1/4" + 3/8" + 1/2"			1/4" + 5/16"	





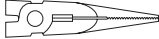








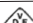
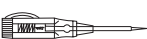






- 15 10-13-15-16-17-18-19-20
21-22-24-27-30-32-34 mm
- 4 17-19-21-22 mm
- 5 E16-E18-E20-E22-E24
- 4 M10-M12-M14-M16
- 1/2" 5/16"
- 1/2" 1/2"
- 1/2" 3/8"
- 2 125 mm / 250 mm
- Art. 4021
- Art. 3006
- 1/4" 1/4"
- 2 10-12 mm
- 5 T45-T50-T55-T60-T70
- 3 10-12-14 mm
- 8 T20-T25-T27-T30-T40-T45-T50-T55
- 70 mm
- 1/4" 1/4"
- 1/4" 1/4"
- 1/4" 3/8"
- 1/4" x 100 mm
- 13 8-9-10-11-12-13-14-15
16-17-18-19-22 mm
- 10 1.5-2-2.5-3-4-5-6-7-8-10 mm
- 200 mm (0-36 mm)
- M22

Electrician tool-set
Surtido de herramientas para electricista
Jogo de ferramentas de electricista

20
PCS

1000 V



-   180 mm
-   160 mm
-   200 mm
-   160 mm
-   4 0.4 x 2.5 mm - 0.8 x 4.0 mm
1.0 x 5.5 mm - 1.2 x 6.5 mm
-   2 PH 1-2
-   2 T15-T20
-  110-250V
-  140 mm
-  160 mm
-  150 mm
-  140 mm
-  228 mm
-  175 mm



↕ 220 x 300 x 100 mm

Art.	
3996ET	
2990B	without tools / <i>sin herramientas</i> / <i>sem ferramentas</i>



Art. 2990B

Professional ABS tool case

with solid structure, aluminium frame and reinforced edges for shock-protection, snap locks and combination lock.

Maleta profesional en ABS

con estructura sólida, reforzada en aluminio, con protección contra golpes y cerradura con código numérico.

Mala profissional em ABS

com estrutura solida com chassis em aluminio e protecção antichoque, com fechaduras numericas.



489 x 193 x 400 mm

1/4" 14 3.5-4-4.5-5-5.5-6-7-8-9
10-11-12-13-14 mm



1/4" 1/4"



1/4" 1/4"



100 mm



Art. 3200B

3/8" 12 10-13-14-15-16-17-18
19-20-21-22-24 mm



2 16 mm / 21 mm



3/8" 1/4"



3/8" 3/8"



1/2" 3/8"



150 mm



Art. 3210B

1/4" 4 4.5-5.5-6.5-8 mm



4 PH 0-1-2-3



3 PZ 1-2-3



7 T10-T15-T20-T25-T27-T30-T40



7 T10-T15-T20-T25-T27-T30-T40



6 3-4-5-6-7-8 mm



1/4" 1/4"



1/4" 1/4"



Art. 2336 360 g



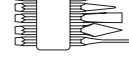
Art. 2303 300 g



10 1.5-2-2.5-3-4-5
6-7-8-10 mm Art. 3602



9 T10-T15-T20-T25-T27
T30-T40-T45-T50 Art. 3605



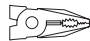





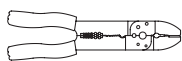
5 Art. 3370 4 x 150 mm
12 x 130 mm
5 x 130 mm
3 x 120 mm
4 x 120 mm





6 Art. 4321 165 mm






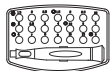
Art.	1/4" + 3/8"	1/4" + 4 mm
3995		
3995.1	Version with PB screwdrivers Modelo con destornilladores PB Modelo com chaves parafusos PB	



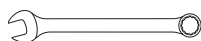
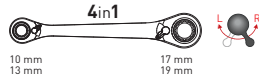

	Art. 3281-180	180 mm
	Art. 3285-200	200 mm
	Art. 3282-160	160 mm
	Art. 2221-250	250 mm
	Art. 3289-160	160 mm
	Art. 2240	150 mm
	Art. 2225	240 mm



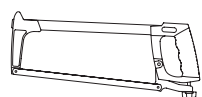
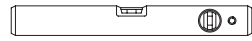


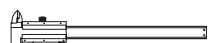
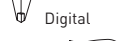
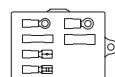
	6	Art. 3312	18 mm
	10x	Art. 3314	18 mm

	5	<ul style="list-style-type: none"> Art. 4110-1 0.5 x 3 mm Art. 4110-2 0.8 x 4 mm Art. 4110-3 0.9 x 5 mm Art. 4110-4 1.1 x 6 mm Art. 4110-5 1.2 x 8 mm
	2	<ul style="list-style-type: none"> Art. 4115-1 No. 1 Art. 4115-2 No. 2
	4	<ul style="list-style-type: none"> Art. 4125-15 T15 Art. 4125-20 T20 Art. 4125-25 T25 Art. 4125-30 T30
	1	Art. 4128 1/4" x 100mm
		Art. 4701-0519 5 m x 19 mm
		Art. 3180



	16	5.5-6-7-8-9-10-11-12-13 14-15-16-17-18-19-22 mm
		Art. 3404-1019 10 x 13 mm / 17 x 19 mm
		Art. 2138 110-250 V



	Art. 3305	300 mm
		400 mm
	Art. 4320-2	320 mm / No. 2
	Art. 3574	250 mm / 10"
	Art. 2972C	150 mm / 0 - 6"
	Art. 32065	6 LED (excl. 3x AAA)
	50	



Universal socket wrench- and tool-set
in slim, lockable aluminium tool-case

Surtido universal de llaves de vaso y herramientas

en maleta compacta de aluminio y cerradura con llave






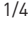


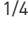

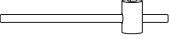

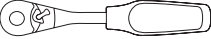











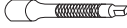


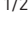








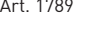












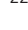
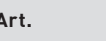
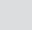

Conjunto universal de chaves caixa e ferramentas

em mala de aluminio compacta e bloqueável

1/4" 1/2" 1/4" 109 PCS



470 x 330 x 90 mm

-   14 3.5-4-4.5-5-5.5-6-7
8-9-10-11-12-13-14 mm
-  5 8-10-11-12-13 mm
-   1/4"  1/4"
-   1/4"  1/4"
-  2 50 mm / 100 mm
-  115 mm
-   Art. 3200B
-   1/4"
-   15 10-13-14-15-16-17-18-19
21-22-24-27-30-32-34 mm
-  4 14-17-18-19 mm
-  **CrMo** 3 17-19-21 mm 
-  2 16 / 21 mm
-   1/2"  1/2"
-  2 125 / 250 mm
-   3/8"  1/2"
-   Art. 3220B
-    S2 6  4-4.5-5.5-6-6.5-8 mm
-  4  PH 0-1-2-3
-  3  PZ 1-2-3
-  6  T10-T15-T20-T25-T30-T40
-  6  T10-T15-T20-T25-T30-T40
-  6  3-4-5-6-7-8 mm
-   1/4"  1/4"
-   1/4"  1/4"
-  9  1.5-2-2.5-3-4-5-6-8-10 mm
-  12 8-10-11-12-13-14-15
16-17-18-19-22 mm

Art.		
4055	1/4" + 1/2"	1/4"



KRAFTWERK®

FAVORITE TOOLS SINCE 1979

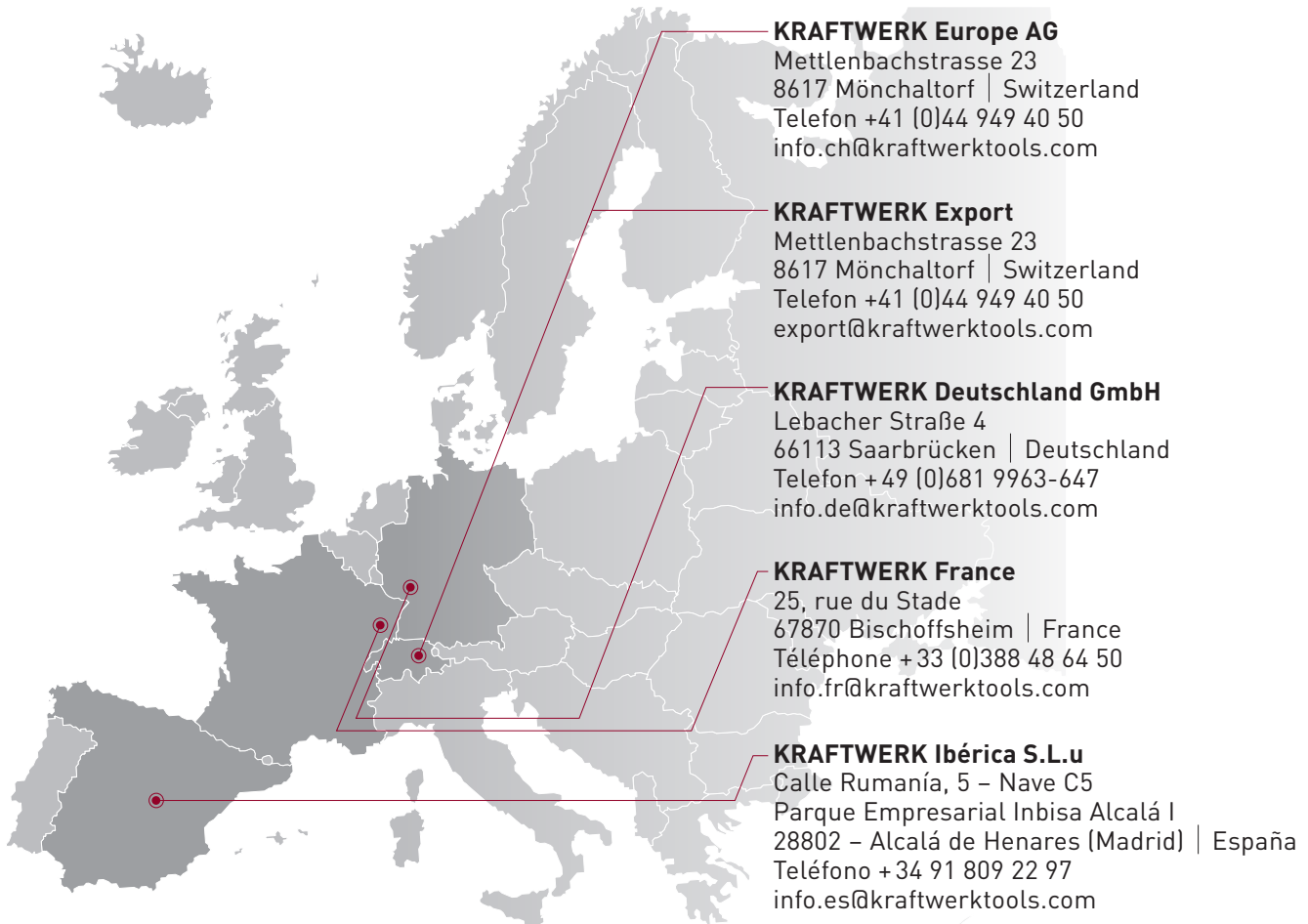


GENERAL COLLECTION

www.kraftwerktools.com

KRAFTWERK®

FAVORITE TOOLS SINCE 1979



KRAFTWERK Europe AG

Mettlenbachstrasse 23
8617 Mönchaltorf | Switzerland
Telefon +41 (0)44 949 40 50
info.ch@kraftwerktools.com

KRAFTWERK Export

Mettlenbachstrasse 23
8617 Mönchaltorf | Switzerland
Telefon +41 (0)44 949 40 50
export@kraftwerktools.com

KRAFTWERK Deutschland GmbH

Lebacher Straße 4
66113 Saarbrücken | Deutschland
Telefon +49 (0)681 9963-647
info.de@kraftwerktools.com

KRAFTWERK France

25, rue du Stade
67870 Bischoffsheim | France
Téléphone +33 (0)388 48 64 50
info.fr@kraftwerktools.com

KRAFTWERK Ibérica S.L.u

Calle Rumanía, 5 – Nave C5
Parque Empresarial Inbisa Alcalá I
28802 – Alcalá de Henares (Madrid) | España
Teléfono +34 91 809 22 97
info.es@kraftwerktools.com

Follow us
Síguenos
Siga-nos



facebook.com/kraftwerktools



youtube.com/kraftwerktools



#kraftwerktools

www.kraftwerktools.com



5-103

1



105-217

2



219-255

3



257-327

4



329-369

5



371-385

6



387-399

7



401-409

8



411-433

9