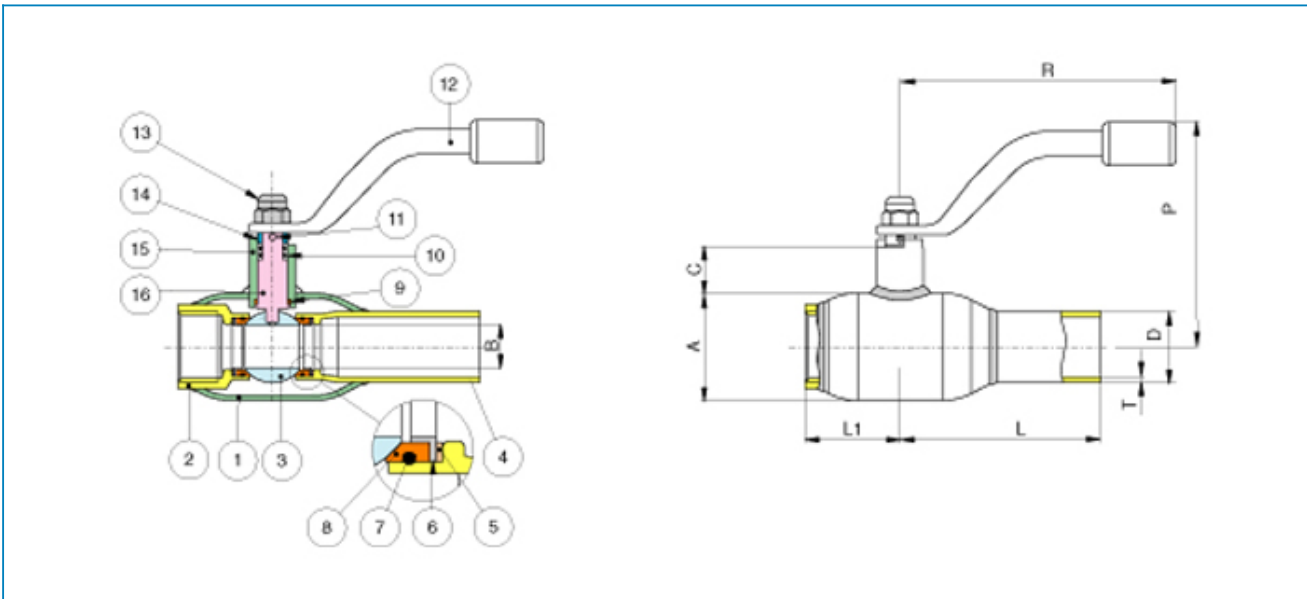




Serie **INTER..GAS**

Articolo **708001**

Fully welded steel ball valve, reduced bore, for natural gas transmission and distribution, F/BW ends, with handle.



Limiti di temperatura: -20° +80° - Temperature range: -20° +80°

POS.	PART NAME	MATERIALE-MATERIALS MATERIAUX-WERKSTOFF- MATERIAL	N°P
1	BODY	CARBON STEEL	1
2	END CONNECTION	CARBON STEEL	1
3	BALL	A182-F304	1
4	END CONNECTION	CARBON STEEL	1
5	SPRING WASHER	CARBON STEEL	2
6	WASHER	CARBON STEEL	2
7	O-RING	NBR	2
8	BALL SEAT	P.T.F.E. + 25% CARBOGRAFITE	2
9	THRUST WASHER	P.T.F.E. + 25% CARBOGRAFITE	1
10	SEAT	P.T.F.E. + 25% CARBOGRAFITE	1
11	END STOP	STAINLESS STEEL	1
12	HANDLE	CARBON STEEL	1
13	NUT	CARBON STEEL	1
14	PACKING GLAND	CARBON STEEL	1
15	O-RING	NBR	2
16	STEM	STAINLESS STEEL	1

MISURA SIZE	DN	A	B	L	L1	C	T	D	R	P	Kv	PN	Kg
3/4"	20	42	15	115	38	17	2,3	26,9	140	85	6	40	0,80
1"	25	51	20	115	45	17	2,6	33,7	140	89	14	40	0,90
1"1/4	32	57	25	130	53	17	2,6	42,4	140	93	26	40	1,30
1"1/2	40	76	32	130	60	20	2,6	48,3	180	108	43	40	2,00
2"	50	89	40	150	73	20	2,9	60,3	180	114	64	40	2,90