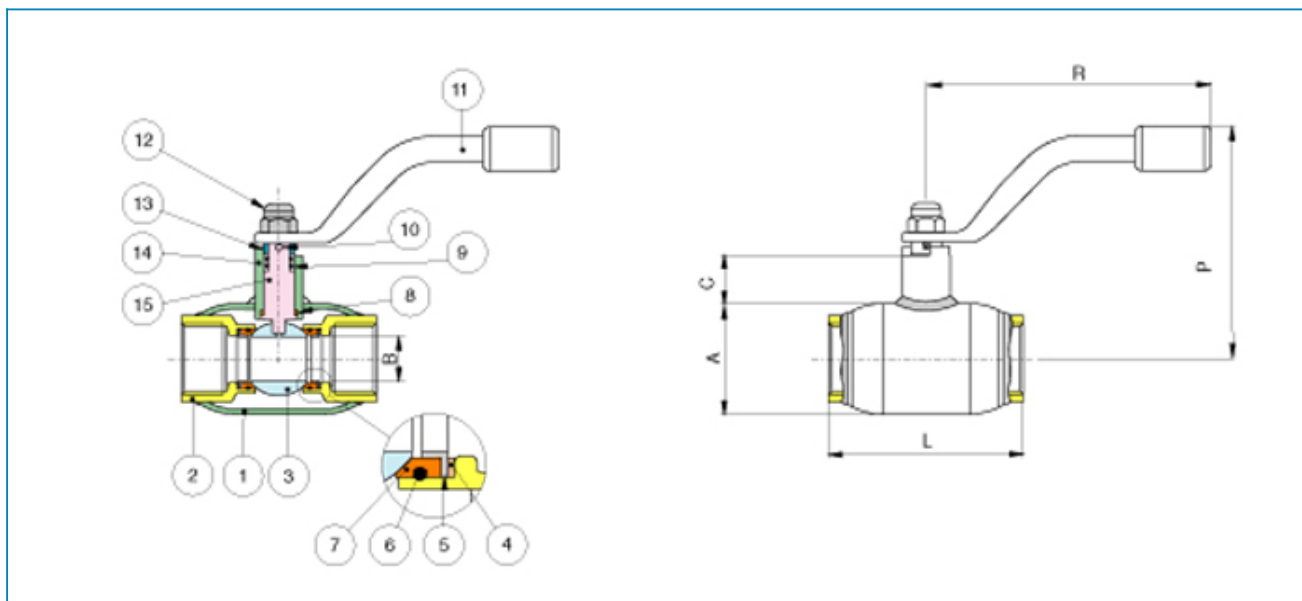




Serie **INTER..GAS**

Articolo **708002**

Fully welded steel ball valve, reduced bore, for natural gas transmission and distribution, F/F ends, with handle.



Limiti di temperatura: -20°+80° - Temperature range: -20°+80°

POS.	PART NAME	MATERIALE-MATERIALS MATERIAUX-WERKSTOFF- MATERIAL	N°P
1	BODY	CARBON STEEL	1
2	END CONNECTION	CARBON STEEL	2
3	BALL	A182-F304	1
4	SPRING WASHER	CARBON STEEL	2
5	WASHER	CARBON STEEL	2
6	O-RING	NBR	2
7	BALL SEAT	P.T.F.E. + 25% CARBOGRAFITE	2
8	THRUST WASHER	P.T.F.E. + 25% CARBOGRAFITE	1
9	SEAT	P.T.F.E. + 25% CARBOGRAFITE	1
10	90° STOP	STAINLESS STEEL	1
11	HANDLE	CARBON STEEL	1
12	NUT	CARBON STEEL	1
13	PACKING GLAND	CARBON STEEL	1
14	O-RING	NBR	2
15	STEM	STAINLESS STEEL	1

MISURA SIZE	DN	A	B	L	C	R	P	Kv	PN	Kg
3/4"	20	42	15	75	17	140	85	6	40	0,80
1"	25	51	20	90	17	140	89	14	40	0,90
1"1/4	32	57	25	105	17	140	93	26	40	1,30
1"1/2	40	76	32	120	20	180	108	43	40	2,00
2"	50	89	40	145	20	180	114	64	40	2,90