

A1019/1144/1137/1138/1126 Series

# Air filter




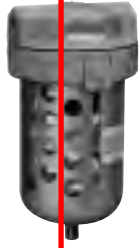
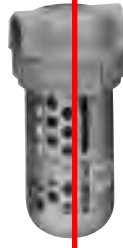

Filtration rating 5 $\mu$  m, powerful series.

● Port size: Rc 1/8 to Rc2

JIS symbol



## Specifications

Descriptions	Discontinued						Discontinued				
	A1019-1C/2C	1144-2C/3C-E	1144-2C/3C-EJ	1137-2C/3C/4C/6C-E	1138-6C/8C-E	1126-10C/12C/16C-E	NO automatic drain air filter with manual cock				
Appearance											
	● A1019	● 1144		● 1137	● 1138	● 1126					
Working fluid	Compressed air										
Max. working pressure	MPa		1.0								
Withstanding pressure	MPa		1.5								
Fluid temperature (ambient temperature)	°C		5 to 65								
Filtration rating	$\mu$ m		5								
Port size	Rc	1/8, 1/4	1/4, 3/8	1/4, 3/8	1/4, 3/8 1/2, 3/4	3/4, 1	1 1/4, 1 1/2 2	1/4, 3/8	1/4, 3/8 1/2, 3/4	3/4, 1	1 1/4, 1 1/2 2
Product weight	kg	0.1	0.5	0.5	1.1	2.2	7.3	0.6	1.2	2.3	7.4
Bowl guard	Custom order	Provided as standard									

Note 1: Minimum working pressure of N.O. automatic drain with manual cock (option F) is 0.1MPa.

Note 2: For piston drain (D), this product should be used with 0.1MPa and over, while not be used in any device generating impacts.

### Clean room specifications (catalog No. CB-033SA)

● Dust generation preventing structure for use in cleanrooms

1019 ..... - P80

1019 ..... - P90

1144 ..... - P80

1144 ..... - P90

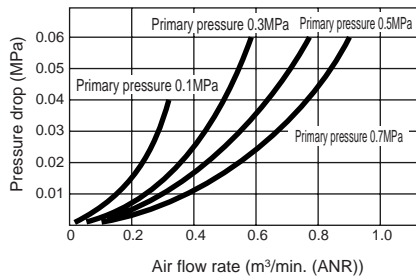
### Copper and PTFE free (page 604)

A1019- ..... - P6

### Flow characteristic

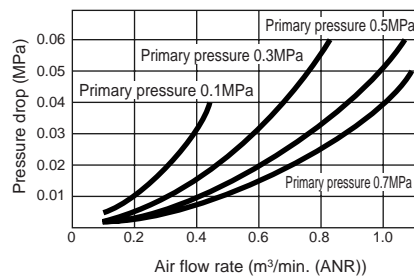
● A1019-1C

Rc1/8



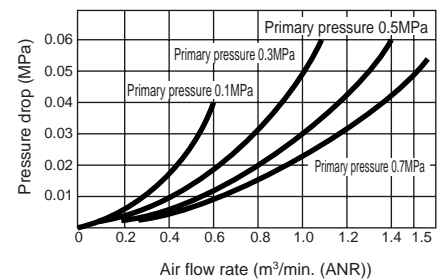
● A1019-2C

Rc1/4



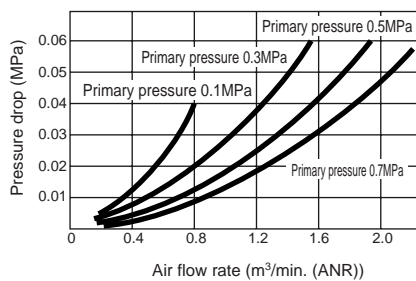
● 1144-2C

Rc1/4



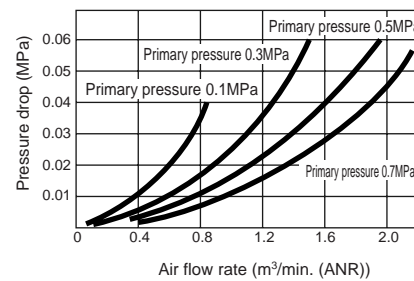
● 1144-3C

Rc3/8



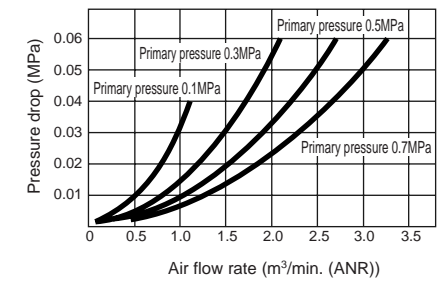
● 1137-2C

Rc1/4



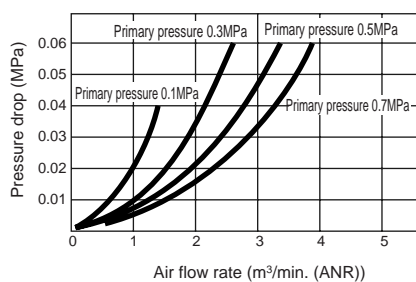
● 1137-3C

Rc3/8



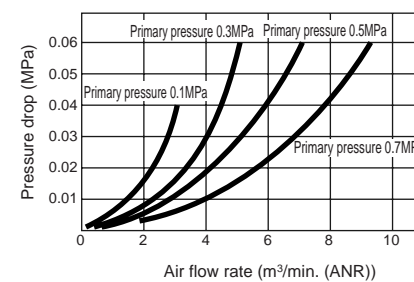
● 1137-4/6C

Rc1/2, 3/4



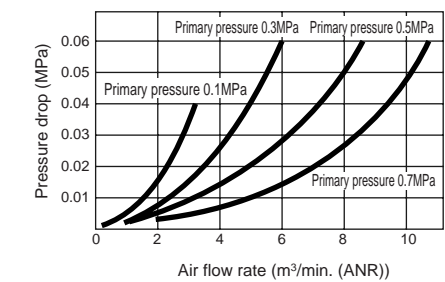
● 1138-6C

Rc3/4



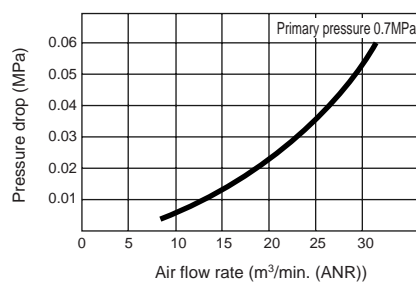
● 1138-8C

Rc1



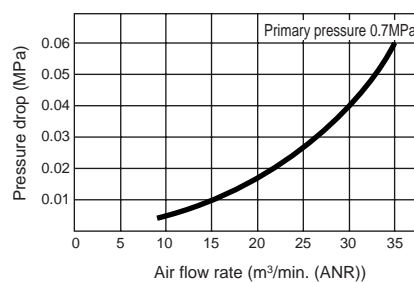
● 1126-10C

Rc1 1/4



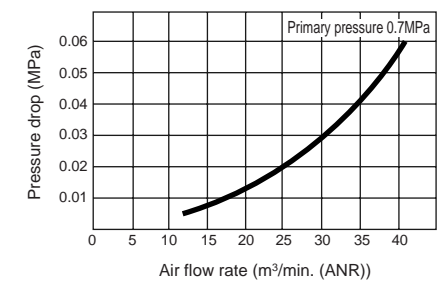
● 1126-12C

Rc1 1/2



● 1126-16C

Rc2



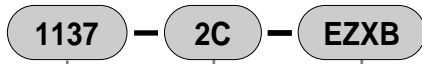
Refrigerating type dryer
Desiccant type dryer
High polymer membrane dryer
Air filter
Auto. drain / others
F.R.L. (Module unit)
F.R.L. (Separate)
Compact F.R.
Precise regulator
F.R.L. (Related products)
Clean F.R.
Electro pneumatic regulator
Air booster
Speed control valve
Silencer
Check valve / others
Joint / tube
Vacuum filter
Vacuum regulator
Suction plate
Magnetic spring buffer
Mechanical pressure SW
Electronic pressure SW
Contact / close contact cont. SW
Air sensor
Pressure SW for coolant
Small flow sensor
Small flow controller
Flow sensor for air
Flow sensor for water
Total air system
Total air system (Gamma)

Air filter  
F.R.L. unit

Ending

# Air Filter Series

## How to order



**A** Model no.

**B** Port size  
Note 1

**C** Option  
Note 2  
Note 3  
Note 4  
Note 5  
Note 7

<Example of model number>

**1137-2C-EZXB**

Model: Air filter

**A** Model: Standard type

**B** Port size: Rc 1/4

**C** Option: Flexible drain, nylon bowl, element 3  $\mu$  m, bracket attached

### Note on model no. selection

Note 1: If NPT thread is required, do not indicate nominal size C. (E.g.) A1019-1

Note 2: Drainage "E" and bowl material "M" or "MG" can not be combined. However, these options can be combined for 1138 and 1126.

Note 3: Automatic drain exhausts its drain automatically in no pressurized state during night time, etc. NO automatic drain "F" is recommended for manual cock, however, if the flow rate is small in the circuit, NC automatic drain with manual cock "F1" can be selected.

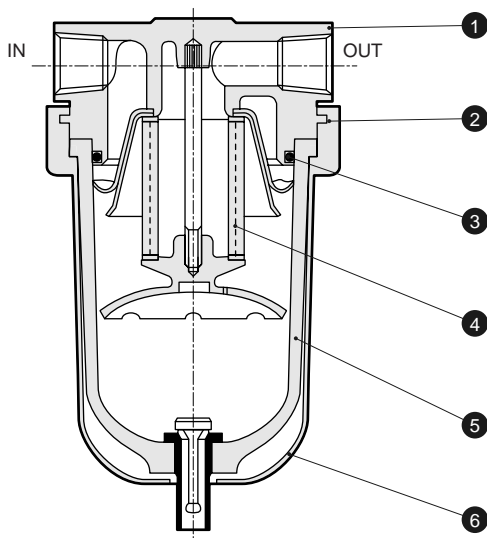
Note 4: Refer to pages 608 and 609 for attachment "B" bracket.

Note 5: Refer to page 570 for maximum treating flow rate for option "Y".

Note 6: Refer to page 604 for How to order A1019 copper and PTFE free specifications. 1138 and 1126 are copper and PTFE free as standard.

Note 7: Refer to page 543 for the specifications of automatic drain.

## Internal structure and parts list



A Model no.					
Miniature	Compact	Compact	Standard	Large	Large bore size
A1019	1144	1144-J	1137	1138	1126

Symbol	Descriptions						
<b>B Port size</b>							
1C	Rc1/8	●					
2C	Rc1/4	●	●	●	●		
3C	Rc3/8		●	●	●		
4C	Rc1/2				●		
6C	Rc3/4				●	●	
8C	Rc1					●	
10C	Rc1 1/4						●
12C	Rc1 1/2						●
16C	Rc2						●

<b>C Option</b>							
Drainage	Blank	Manual cock		●	●	●	●
	Blank	With tire valve	●				
	E	Flexible drain		●	●	●	●
	F	NO auto. drain with manual cock (exhaust w/o pressurized)			●	●	●
	D	Piston drain	●				
Bowl	J	Jumbo bowl			Provided		
Bowl material	Blank	Polycarbonate bowl	●	●	●	●	●
	Z	Nylon bowl	●	●	●	●	●
	M	Metal bowl	●	●	●	●	●
	MG	Metal bowl with gauge		●	●	●	●
Element	Blank	5 $\mu$ m	●	●	●	●	●
	X	3 $\mu$ m		●	●	●	●
	Y	0.3 $\mu$ m		●	●	●	●
Attachment	Blank	Not attached	●	●	●	●	●
	B	Bracket	●	●	●	●	●

No.	Part name	Material					
		A1019	1144	1137	1138	1126	
1	Guard	Zinc alloy die-casting				Aluminum die-casting	
2	Clamp ring	-	Zinc alloy die-casting				
3	O ring	Special nitrile rubber					
4	Element	5 $\mu$ m	Polypropylene fiber				
		3 $\mu$ m	-	Cotton			
		0.3 $\mu$ m	-	Cotton, filter paper			
5	Bowl	Polycarbonate resin					
6	Bowl guard	-	Steel				

## Repair parts list

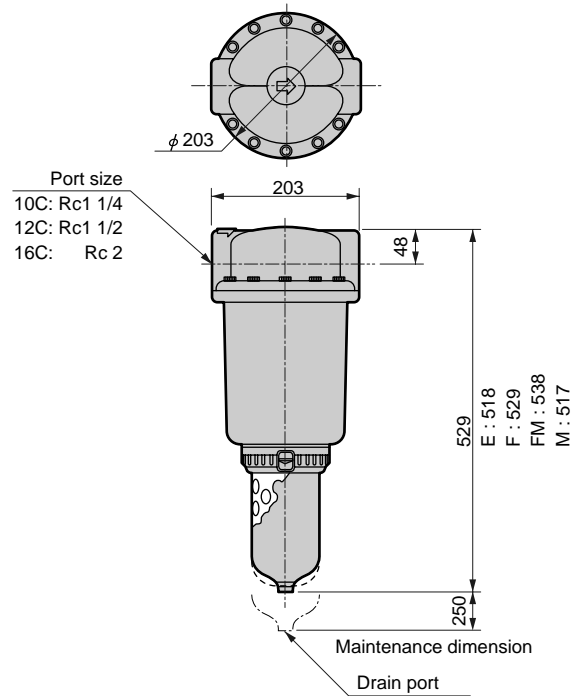
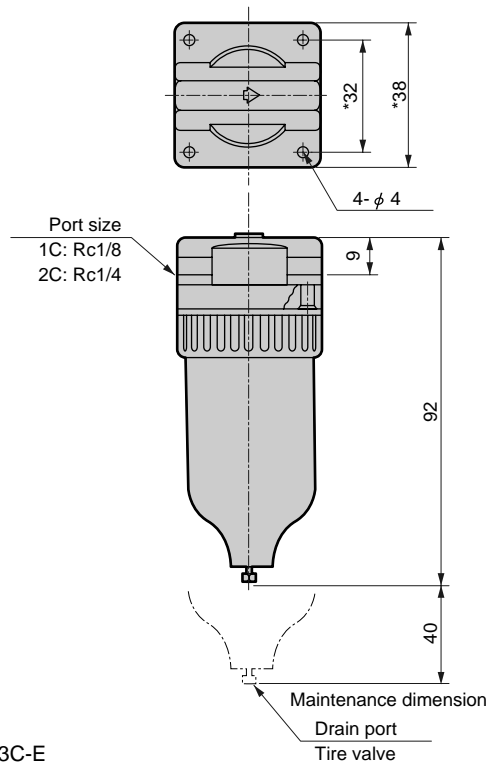
No.	Part name	Model no.					
		A1019	1144	1137	1138	1126	
4	Element	5 $\mu$ m	A1019-ELEMENT	1144-ELEMENT	1137-ELEMENT	1138-ELEMENT	1126-ELEMENT
		3 $\mu$ m	-	1144-ELEMENT-X	1137-ELEMENT-X	1138-ELEMENT-X	1126-ELEMENT-X
		0.3 $\mu$ m	-	1144-ELEMENT-Y	1137-ELEMENT-Y	1138-ELEMENT-Y	1126-ELEMENT-Y

### Dimensions

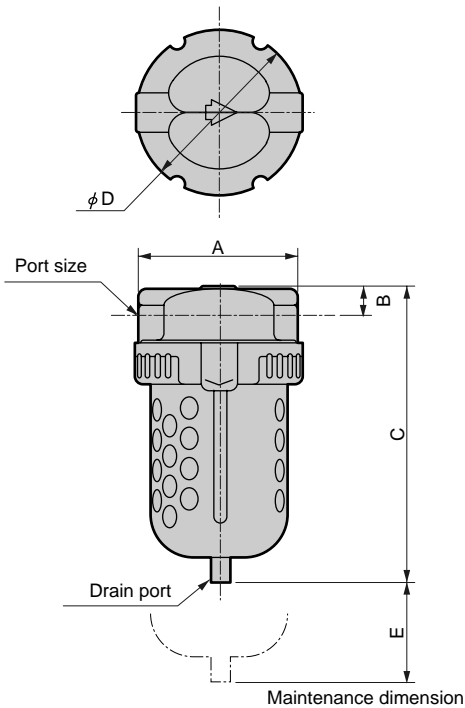


● A1019-1C/2C

● 1126-10C/12C/16C



- 1144-2C/3C-E
- 1144-2C/3C-EJ
- 1137-2C/3C/4C/6C-E
- 1138-6C/8C-E



Refrigerating type dryer
Desiccant type dryer
High polymer membrane dryer
Air filter
Auto. drain / others
F.R.L. (Module unit)
F.R.L. (Separate)
Compact F.R.
Precise regulator
F.R.L. (Related products)
Clean F.R.
Electro pneumatic regulator
Air booster
Speed control valve
Silencer
Check valve / others
Joint / tube
Vacuum filter
Vacuum regulator
Suction plate
Magnetic spring buffer
Mechanical pressure SW
Electronic pressure SW
Contact / close contact cont. SW
Air sensor
Pressure SW for coolant
Small flow sensor
Small flow controller
Flow sensor for air
Flow sensor for water
Total air system
Total air system (Gamma)

Ending

Air filter  
F.R.L. unit

Model no.	A		B		C				D	E	Port size
	All models	All models	Blank	E	F	M	FM	All models			
1144-2/3C	68	13	127	114	-	135	-	73	60	Rc1/4, 3/8	
1144-2/3C-J	68	13	179	169	180	160.5	190	73	60	Rc1/4, 3/8	
1137-2/3/4/ (6) C	92	17 (21)	186 (193)	175 (181)	186 (193)	170 (174)	196 (200)	95	90	Rc1/4, 3/8, 1/2, 3/4	
1138-6/8C	118	25.5	266	253.5	266	252.5	273	118	120	Rc3/4, 1	

Note 1: Nylon tube with  $\phi$  5.7 to 6.0 can be directly connected to the drain port of manual cock type.

Note 2: For metal bowl with automatic drain, drain port size is Rc1/4.

Note 3: Refer to pages 608 to 609 for dimensions of bracket.