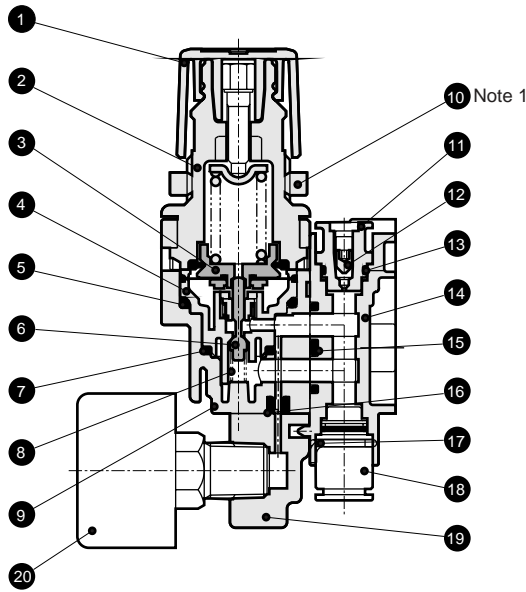


### Internal structure and parts list



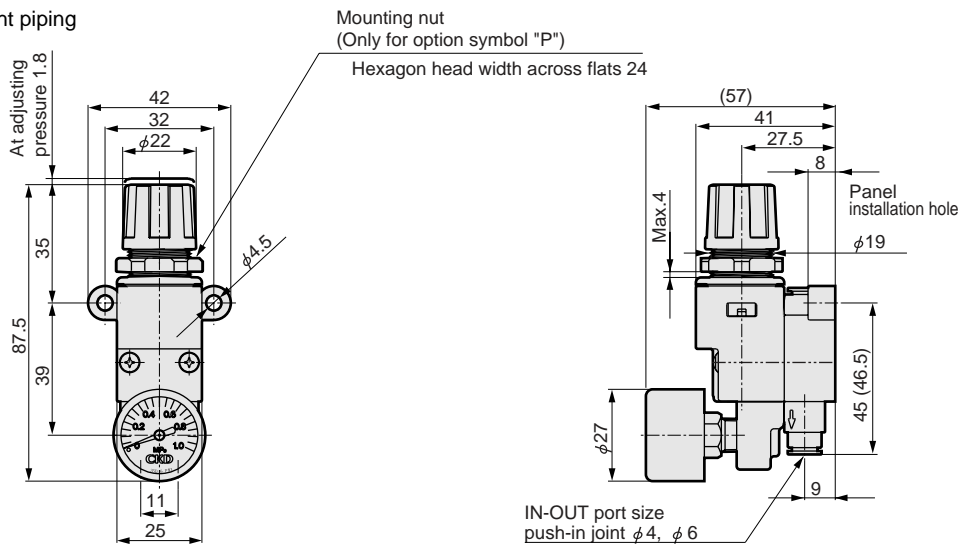
Note 1: A mounting nut is optional.  
Nut is attached only for option symbol "P".

No.	Parts name	Material
1	Knob	Polyacetal resin
2	Guard	Polyamide resin
3	Diaphragm assembly	Polyacetal resin, nitrile rubber, chloroprene rubber
4	Valve guide assembly	Polyacetal resin, brass, stainless steel
5	O ring	Fluoro rubber
6	Valve	Stainless steel
7	O ring	Fluoro rubber
8	Spring	Stainless steel
9	Body	Polyamide resin
10	Mounting nut	Polyacetal resin
11	Bleeding plug	Polyamide resin
12	Hexagon socket head set screw	Stainless steel
13	O ring	Nitrile rubber
14	Piping block assembly	Polyamide resin, steel
15	Body packing seal	Hydrogen nitrile rubber
16	Packing seal	Nitrile rubber
17	Stop pin	Stainless steel
18	Cartridge joint	
19	Gauge plug	Polyamide resin
20	Pressure gauge	

### Dimensions

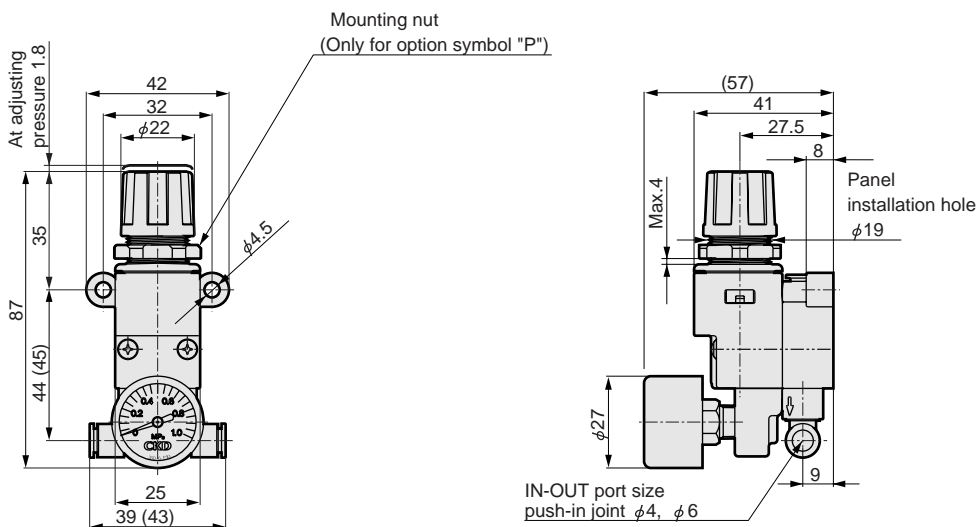


#### ● RJB500 straight piping



Dimensions shown in ( ) are for push-in joint φ6

#### ● RJB500 elbow piping



Dimensions shown in ( ) are for push-in joint φ6

Refrigerating type dryer
Desiccant type dryer
High polymer membrane dryer
Air filter
Auto. drain / others
F.R.L. (Module unit)
F.R.L. (Separate)
Compact F.R.
Precise regulator
F.R.L. (Related products)
Clean F.R.
Electro pneumatic regulator
Air booster
Speed control valve
Silencer
Check valve / others
Joint / tube
Vacuum filter
Vacuum regulator
Suction plate
Magnetic spring buffer
Mechanical pressure SW
Electronic pressure SW
Contact / close contact cont. SW
Air sensor
Pressure SW for coolant
Small flow sensor
Small flow controller
Flow sensor for air
Flow sensor for water
Total air system
Total air system (Gamma)

Ending

Compact direct acting precision regulator  
F.R.L. unit